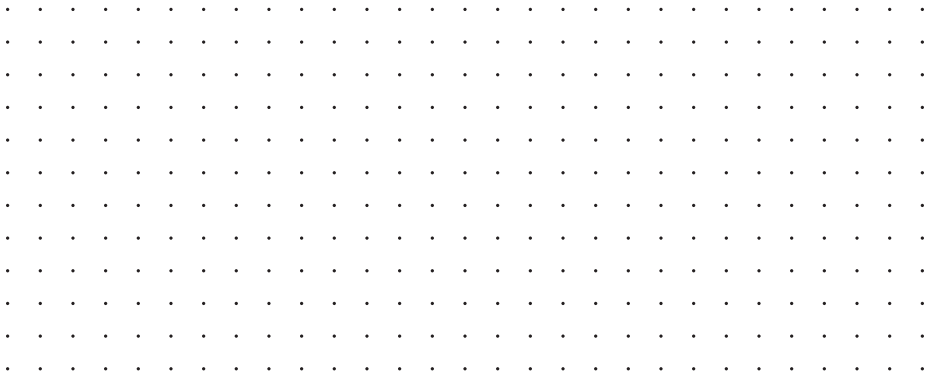


**Handy Reference**  
**Guide de référence pratique**  
**Referencia Rápida**  
**Guia de referência rápida**



---

## Contents

---

<b>Ordering Replacement Supplies</b> . . . . .	<b>4</b>
<b>Using the Printer Menu</b> . . . . .	<b>5</b>
Navigating . . . . .	5
Menu Summary . . . . .	6
<b>Print Media Settings</b> . . . . .	<b>7</b>
<b>Print Media Settings</b> . . . . .	<b>8</b>
<b>Tray 1 and Optional Trays 2 and 3</b> , . . . . .	<b>9</b>
Usable Print Media . . . . .	9
Loading Paper . . . . .	10
<b>Multi-Purpose Tray</b> . . . . .	<b>11</b>
Usable Print Media . . . . .	11
Loading Print Media . . . . .	12
<b>Exit Trays</b> . . . . .	<b>13</b>
<b>Power Save Mode</b> . . . . .	<b>14</b>
<b>Clearing Media Jams</b> . . . . .	<b>15</b>
<b>Troubleshooting</b> . . . . .	<b>23</b>
<b>Service &amp; Support</b> . . . . .	<b>24</b>

---

## Table des matières

---

<b>Commande de fournitures</b>	<b>25</b>
<b>Utilisation des menus de l'imprimante</b> . . . . .	<b>26</b>
Déplacement . . . . .	26
Sommaire des menus . . . . .	27
<b>Paramètres de support d'impression</b> . . . . .	<b>28</b>
<b>Paramètres de support d'impression</b> . . . . .	<b>29</b>
<b>Bacs 1, 2 et 3 optionnel</b> . . . . .	<b>30</b>
Supports d'impression utilisables . . . . .	30
Chargement des supports d'impression . . . . .	31
<b>Bac multifonction</b> . . . . .	<b>32</b>
Supports d'impression utilisables . . . . .	32
Chargement des supports d'impression . . . . .	33
<b>Bacs de sortie</b> . . . . .	<b>34</b>
<b>Mode d'économie d'énergie</b>	<b>35</b>
<b>Dégagement des bourrages</b>	<b>36</b>
<b>Dépannage</b> . . . . .	<b>44</b>
<b>Service et support</b> . . . . .	<b>45</b>

---

## Contenido

---

<b>Cómo hacer sus pedidos de suministros</b> . . . . .	<b>46</b>
<b>Uso el menú de la impresora</b> . . . . .	<b>47</b>
Navegar . . . . .	47
Resumen de la menú . . . . .	48
<b>Configuración de los Medios de Impresión</b> . . . . .	<b>49</b>
<b>Configuración de los Medios de Impresión</b> . . . . .	<b>50</b>
<b>Bandeja 1, Bandejas 2 y 3 Opcional</b> . . . . .	<b>51</b>
Medios de Impresión utilizable . . . . .	51
Carga del papel . . . . .	52
<b>Bandeja Multi-Usó</b> . . . . .	<b>53</b>
Medios de Impresión utilizable . . . . .	53
Carga del medios de impresión . . . . .	54
<b>Bandejas de salida</b> . . . . .	<b>55</b>
<b>Ahorro de energía</b> . . . . .	<b>56</b>
<b>Solución de atascos</b> . . . . .	<b>57</b>
<b>Resolución de problemas</b> . . . . .	<b>65</b>
<b>Servicio y Soporte</b> . . . . .	<b>66</b>

---

## Sumário

---

<b>Pedidos de suprimentos de reposição.</b> . . . . .	<b>67</b>
<b>Uso do menu da impressora.</b> . . . . .	<b>68</b>
Navegar . . . . .	68
Resumo do menu. . . . .	69
<b>Config. dos materiais de impressão</b> . . . . .	<b>70</b>
<b>Config. dos materiais de impressão</b> . . . . .	<b>71</b>
<b>Bandeja 1, Bandejas 2 e 3 Opcional</b> . . . . .	<b>72</b>
Mídia de impressão utilizáveis . . . . .	72
Colocação do papel . . . . .	73
<b>Bandeja multifuncional.</b> . . . . .	<b>74</b>
Mídia de impressão utilizáveis . . . . .	74
Colocação do mídia de impressão . . . . .	75
<b>Escaninhos de saída</b> . . . . .	<b>76</b>
<b>Economia de energia</b> . . . . .	<b>77</b>
<b>Eliminação de atolamentos de papel</b> . . . . .	<b>78</b>
<b>Resolução de problemas.</b> . . . . .	<b>86</b>
<b>Assistência técnica e suporte</b> . . . . .	<b>87</b>

# Ordering Replacement Supplies

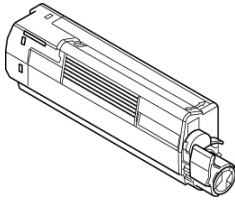
## How to Order

- Consult the dealer where you purchased your printer.
- Consult an Oki Data Authorized Sales or Service Dealer. For your nearest dealer, call 1-800-654-3282.
- U.S., Puerto Rico, Guam, U.S. Virgin Islands only: Order on the Internet at [WWW.OKIPRINTINGSOLUTIONS.COM](http://WWW.OKIPRINTINGSOLUTIONS.COM)
- U.S. only: Order toll-free by phone at 1-800-654-3282, using VISA®, MasterCard®, or AMEX®.

## Order Numbers

### Toners, Type C15

*Important! Use only genuine Oki Toner Cartridges.*



Toner	Order No.
Black	44315304
Cyan	44315303
Magenta	44315302
Yellow	44315301

## Drums, Type C15

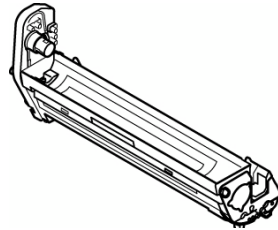


Image Drum	Order No.
Black	44315104
Cyan	44315103
Magenta	44315102
Yellow	44315101

## Maintenance Items: Fusers and Transfer Belt

Maintenance items are warranted against defects for 90 days. When the printer display indicates that they are near end of life, a replacement must be purchased.

Item	Order No.
Fuser, 120V	44289101
Fuser, 230V	44289102
Transfer Belt	44341901

## Installation

These items include installation instructions.

# Using the Printer Menu Navigating

## Note

Settings made in the printer driver will override the printer menu settings.



## Navigating the Menu

1. Press



ENTER

to enter the Menu mode.

2. Press



or



repeatedly to scroll through the Categories, Items and Values.

3. Press



ENTER

to select a Category, Item or Value to change, or to engage the new setting for a Value.

4. Press



ON LINE

to exit the Menu mode.

## For Example

If the MP Tray will normally be loaded with index cards, set the printer menu as follows:

1. Press **ENTER**.
2. Press the down arrow key to move down to **Menus**. Press **ENTER**
3. Press **ENTER** to select **Tray Configuration**.
4. Press the down arrow key to move down to **MPTray Config**. Press **ENTER**.
5. Press the down arrow key to move down to **Media Type**. Press **ENTER**.
6. Press the down arrow key to move down to **Card Stock**. Press **ENTER**.  
*An asterisk appears next to your selection. The setting is engaged.*
7. Press **ON LINE**.

# Using the Printer Menu

## Menu Summary

### Summary of Menu Categories

Ⓞ **Configuration**

- Tray Count
- Supplies Life
- Network
- System

Ⓞ **Print Information**

Ⓞ **Shutdown Menu**

Ⓞ **Print Secure Job Menu**

Ⓞ **Menus**

- Tray Configuration
- System Adjust

Ⓞ **Admin Setup**

For use by the System Administrator. To access this menu you must enter the password. If you have no administrator, the default password is aaaaaa.

Ⓞ **Calibration**

Ⓞ **Boot Menu**

Ⓞ **Parallel Setup**

Ⓞ **USB Setup**

Ⓞ **Security Setup**

Ⓞ **Storage Setup**

Ⓞ **Power Setup**

Ⓞ **Language Setup**

Ⓞ **Print Statistics**

### Printing the Configuration Report

The Configuration report provides a listing of the current printer menu settings.

1. Press **ENTER**.
2. Press the down arrow key to select **Print Information**.
3. Press **ENTER**.
4. Press **ENTER** to select **Configuration**.
5. Press **ENTER** to select **Execute**.

*The Configuration report prints and the printer goes back on line.*

# Print Media Settings

*Always make sure the media setting matches the print media you are using.*

Improper media settings:

- cause poor quality printing
- cause flaking
- *can damage the printer*

## Note

Printer driver settings override printer menu settings.

## Default Settings

The default media weight setting for Tray1 is Light.

The default setting for the MP (Multi Purpose) Tray is Medium.

## Resetting to the Defaults

### Note

A password is required to access this area of the printer menu. If you have a System Administrator, only they can reset the defaults.

1. Press **ENTER**.
2. Press the down arrow key to move down to **Admin Setup**. Press **ENTER**.
3. Enter the administrative password (the default password is aaaaaa).
  - a. Press the up arrow key (a to z, 0 to 9) or the down arrow key (9 to 0, z to a) to scan through the various numbers and letters of the alphabet.
  - b. Press **ENTER**.
  - c. Repeat a and b above for each digit of the password.
4. Press **ENTER**.
5. Press the down arrow key to move down to **Settings**. Press **ENTER**.
6. Press **ENTER** to select **Reset Settings**.
7. Press **ENTER** to select **Execute**.

*The printer resets and returns to the on-line state.*

---

# Print Media Settings

---

## Temporarily Changing the Media Weight for an Individual Print Job

If you are printing a job on special media, you can temporarily load the media in a tray and change the media settings for that tray *in the driver* as you print the job.

### Media Weight Settings

Media weight settings can be made in the printer menu or the printer driver.

- Light: 16–17 lb. US Bond (60–63 g/m<sup>2</sup>)
- Medium Light: 18 lb. US Bond (64–74 g/m<sup>2</sup>)
- Medium: 20–24 lb. US Bond (75–89 g/m<sup>2</sup>)
- Medium Heavy: 24–28 lb. US Bond (90–104 g/m<sup>2</sup>)
- Heavy: 28–32 lb. US Bond (105–120 g/m<sup>2</sup>)
- Ultra Heavy 1 (Tray 1): 32–50 lb. US Bond (121–188 g/m<sup>2</sup>)
- Ultra Heavy 2: 50–59 lb. US Bond (189–220 g/m<sup>2</sup>)
- Ultra Heavy 3: 59–67 lb. US Bond (221–250 g/m<sup>2</sup>)

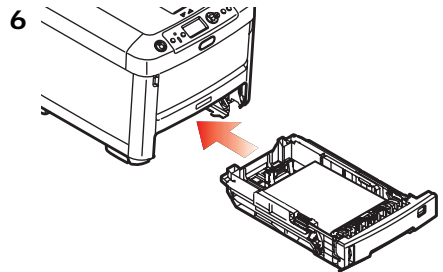
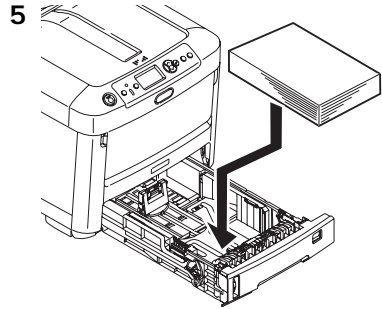
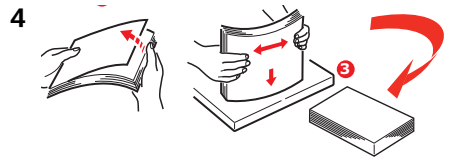
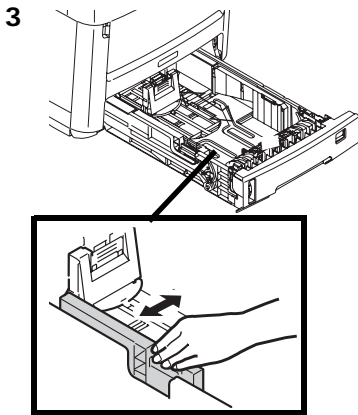
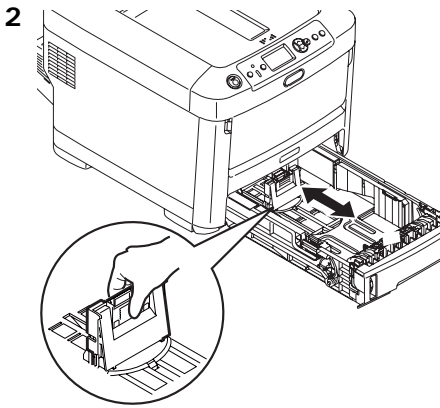
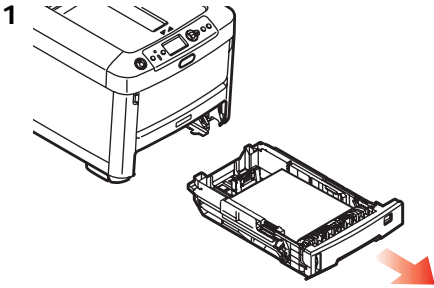


# Tray 1 and Optional Trays 2 and 3, Usable Print Media

## Media Specifications

<b>Weight Range</b>	16–67 lb. US Bond (60–250 g/m <sup>2</sup> )
<b>Standard Sizes:</b>	Letter, Legal-14, Legal-13.5, Legal-13, Executive, A4, A5, A6, B5.
<b>Custom Sizes:</b>	<ul style="list-style-type: none"><li>•Min.: 5.5 x 8.3" (140 x 211 mm)</li><li>•Max.: 8.5 x 14" (216 x 356 mm)</li></ul> Must be defined in driver before printing: see your on-line User's Guide.
<b>Capacity:</b>	250 sheets of 21-lb. (80 g/m <sup>2</sup> ) paper

# Tray 1 and Optional Trays 2 and 3 (cont.) Loading Paper



---

# Multi-Purpose Tray

## Usable Print Media

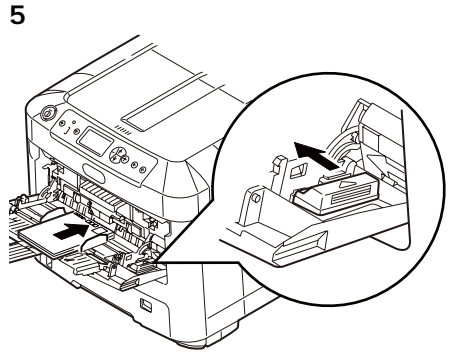
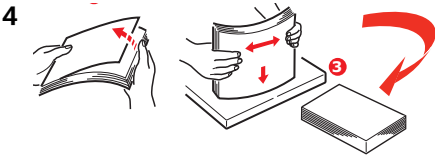
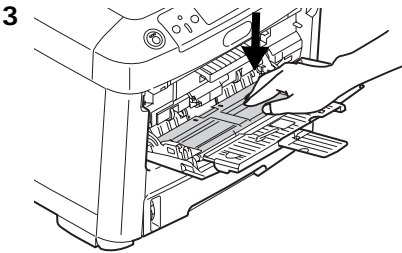
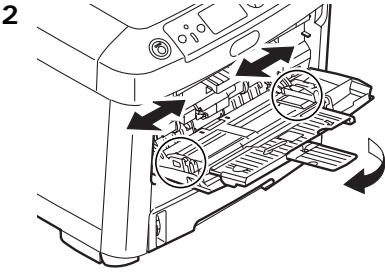
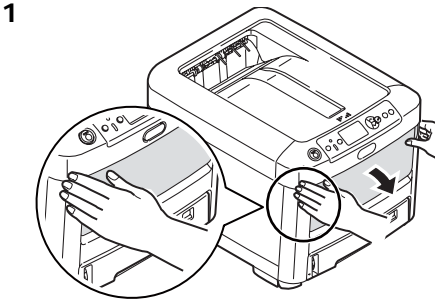
---

### Media Specifications

<b>Weight Range</b>	16–67 lb. US Bond (60–250 g/m <sup>2</sup> )
<b>Standard Sizes:</b>	Letter, Legal-14, Legal-13.5, Legal-13, Executive, A4, A5, A6, B5, Com-10 envelopes.
<b>Custom Sizes:</b>	Width: 3" – 8.5" (76 – 216 mm) Length: 5" – 52" (127 – 1320 mm) (banner printing)  Must be defined in driver before printing: see your on-line User's Guide.
<b>Takes:</b>	<ul style="list-style-type: none"><li>• 100 sheets 20-lb. (75 g/m<sup>2</sup>) paper</li><li>• 10 envelopes</li><li>• 20 sheets of labels</li><li>• 50 transparencies</li><li>• Banners, one at a time</li></ul>

# Multi-Purpose Tray (cont.)

## Loading Print Media



### Letterhead Stationery

- Load face up, top edge into the printer.

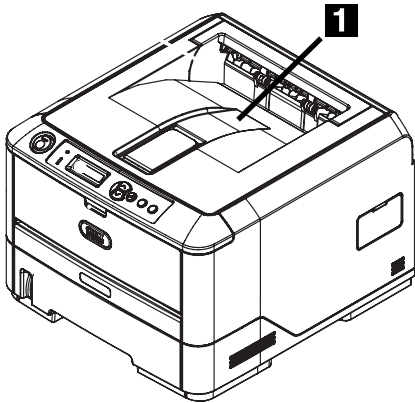
### Envelopes

- Load print side up (flap down) with top edge aimed into the printer.

# Exit Trays

## Top (Face Down) Exit Tray

This is the exit tray that is normally used.



- For papers up to 50 lb. US Bond (188 g/m<sup>2</sup>).
- Holds up to 250 sheets of 21-lb. US Bond (80 g/m<sup>2</sup>) paper.
- Sheets exit face down.

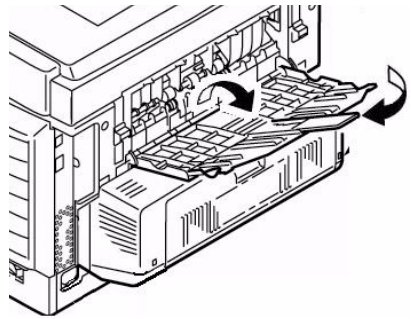
## Rear (Face Up) Exit Tray

- Provides straight-through, curl-free print path for transparencies, envelopes, labels and heavy paper.
- Handles paper from 16 to 67 lb. US Bond (60 to 250 g/m<sup>2</sup>).
- Holds up to 100 sheets of 21-lb. US Bond (80 g/m<sup>2</sup>) paper.
- Sheets exit face up (for multi-page documents, select reverse order printing in your application Print dialog box).

### Note

If the rear tray is open, all printed pages will exit there regardless of the printer driver setting.

## Opening the Rear-Feed Tray



---

## Power Save Mode

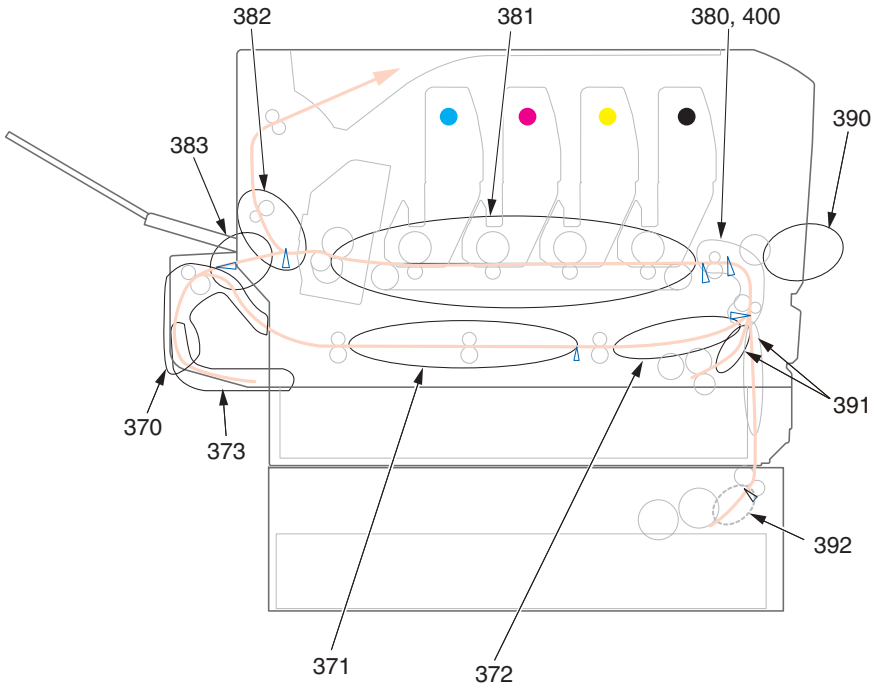
---

Power Save sets how long the printer waits before going into standby mode. The default is 1 minute.

This saves energy, but the printer requires time to warm up when it receives a print job or if you want to enter the menu and change settings.

For more information, see your on-line User's Guide.

# Clearing Media Jams



When “Paper Jam” appears on the second line of the display, there is print media jammed in the printer.

Depending on where the media is jammed, there may be more than one sheet stuck in the printer.

*If one sheet is removed and there are still more sheets in the printer, the initial message will go away temporarily, then “Paper Jam” will appear again.*

## Paper Jam Error Message Summary

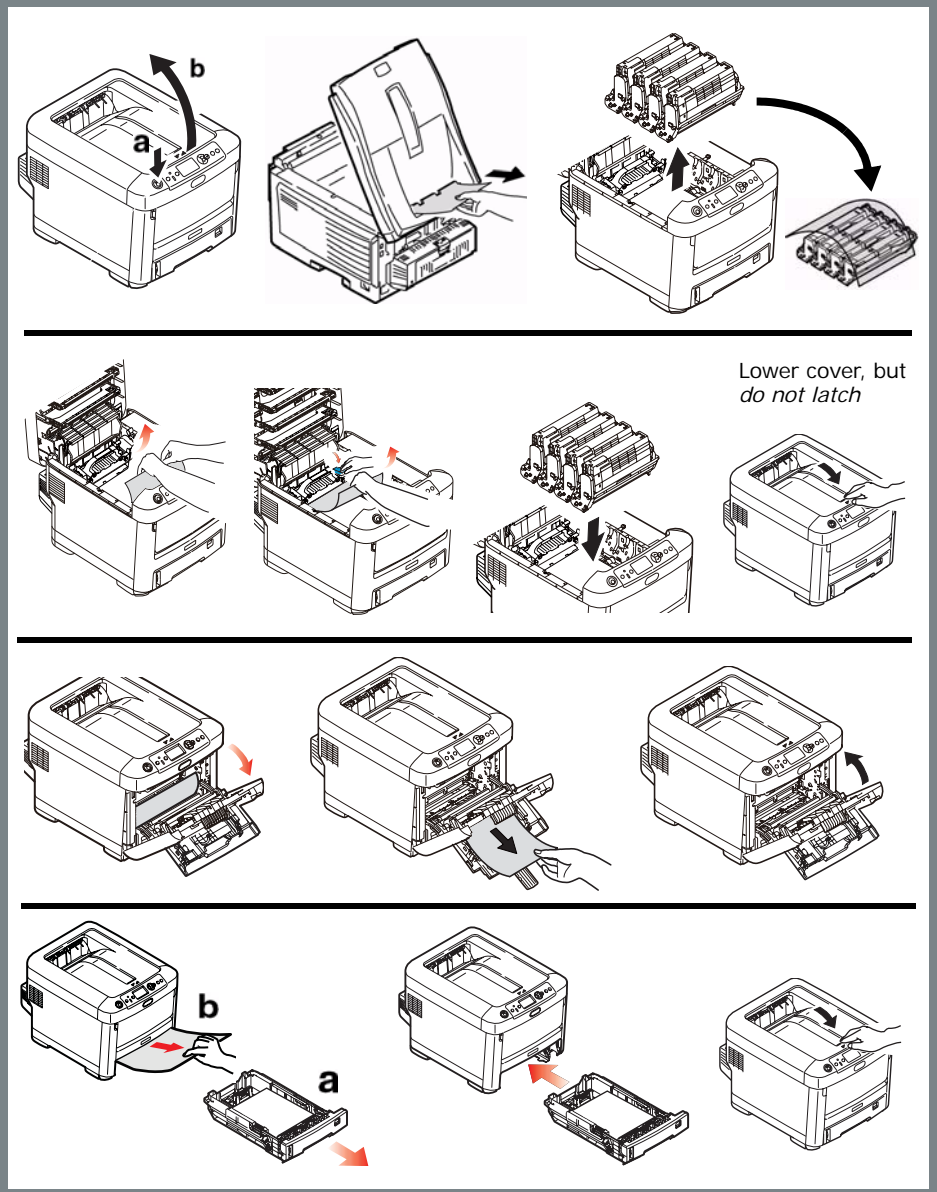
Error No.	Location of Jam	Error No.	Location of Jam
370	Duplex unit <sup>1</sup>	382	Paper exit
371	Duplex unit*	383	Duplex unit*
372	Duplex unit*	390	MP Tray
373	Duplex unit*	391	Paper Tray
380	Paper feed	392	2 <sup>nd</sup> Paper tray*
381	Paper path	400	Paper size

<sup>1</sup> Applies only if this option is installed.

# Clearing Media Jams (cont.)

The box below contains a summary of the basic process for clearing jams.

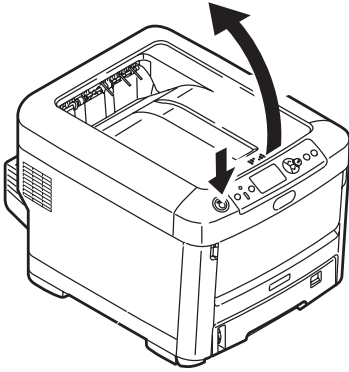
For more details see the pages which follow.



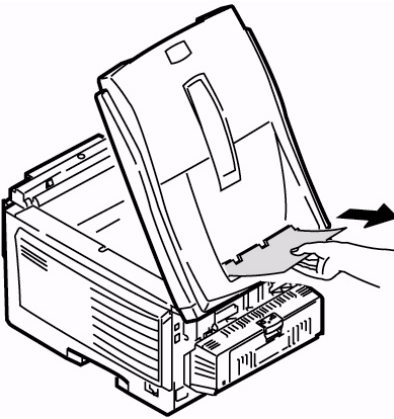


# Clearing Media Jams (cont.)

1. Open the top cover.



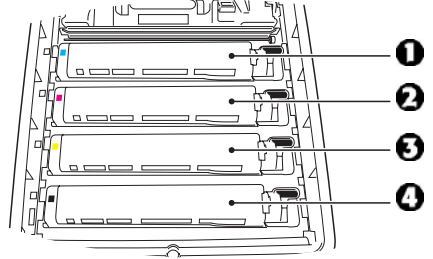
2. If a sheet is well advanced out of the top of the printer, grip it and pull gently to draw it fully out.



### Caution

*The fuser may be hot! It is clearly labelled. Do not touch it.*

Note the location of the various color toner cartridges.



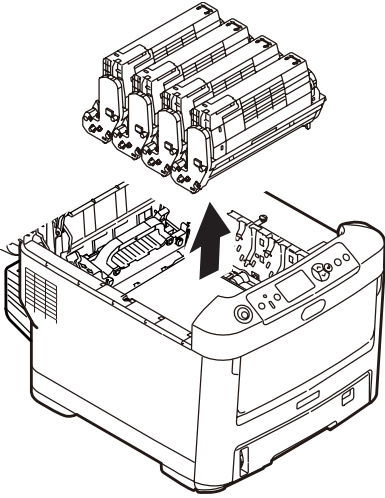
- 1 = Cyan
- 2 = Magenta
- 3 = Yellow
- 4 = Black

### Caution!

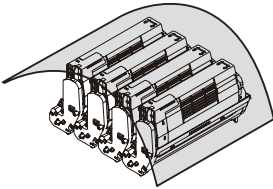
*Do not touch the green image drum surface or expose it to light for more than 5 minutes.*

# Clearing Media Jams (cont.)

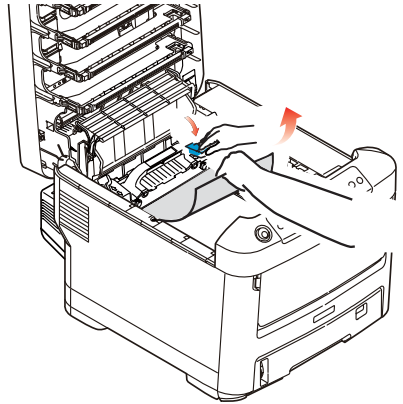
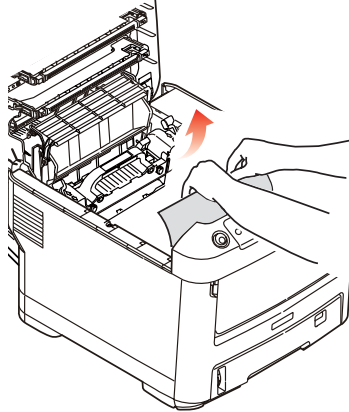
3. Remove all the image drums/toner cartridges, and place them on a flat surface.



4. Cover them to protect them from light.

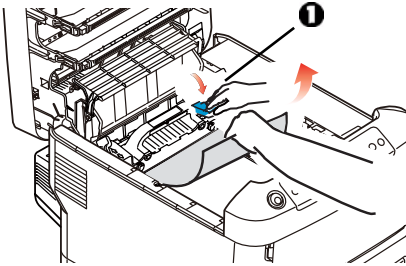


5. Gently remove any jammed sheet(s).



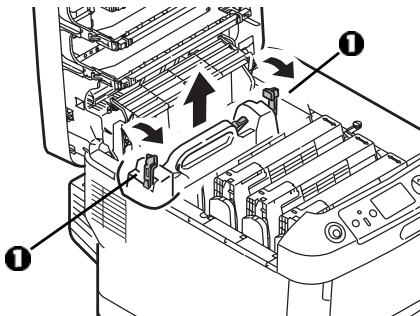
# Clearing Media Jams (cont.)

6. To remove a sheet just entering the fuser, separate the trailing edge of the sheet from the belt, pull the fuser pressure release lever (1) towards the front and remove the sheet. Then release the lever.

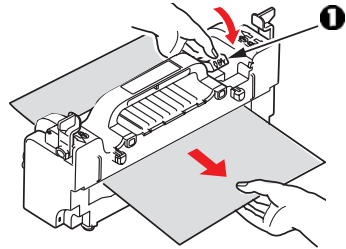


7. If the sheet is well advanced into the fuser:

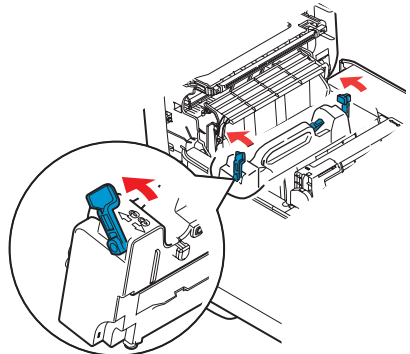
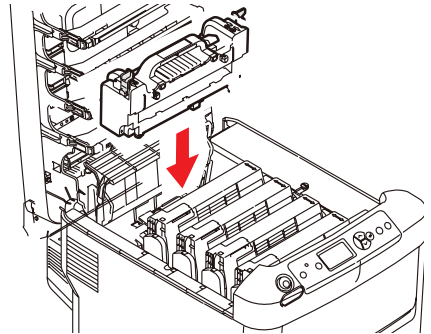
a. Push the two retaining levers (1) towards the front of the printer to release the fuser. Withdraw the fuser unit using the handle.



b. Press release lever (1) and pull the trapped paper from the fuser.

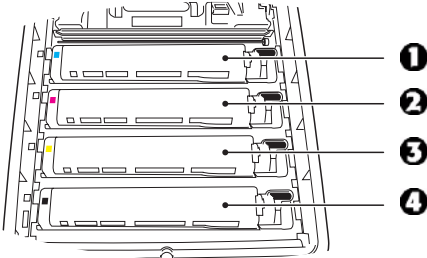
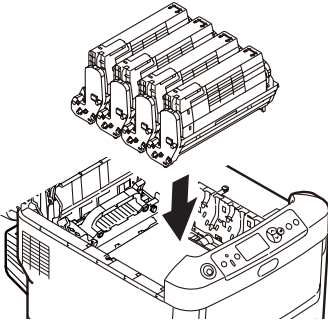


c. Replace the fuser unit and push the lock levers toward the rear of the printer.



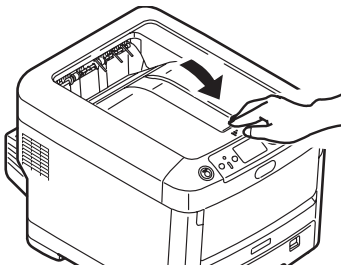
# Clearing Media Jams (cont.)

8. Replace the image drums/toners, being careful to install them in the proper sequence.

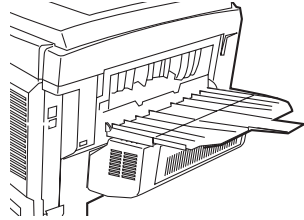


- 1 = Cyan
- 2 = Magenta
- 3 = Yellow
- 4 = Black

9. Lower the printer cover to protect the image drums from light, but *do not latch it*.

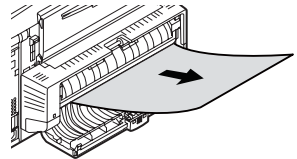
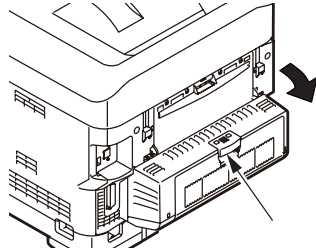


10. Open the rear exit tray and pull out any sheets found in this area.

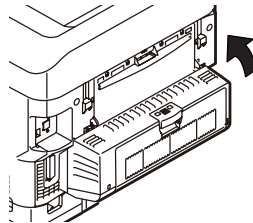


**For printers equipped with the optional duplexer:**

Open the duplex unit cover and remove any sheets.

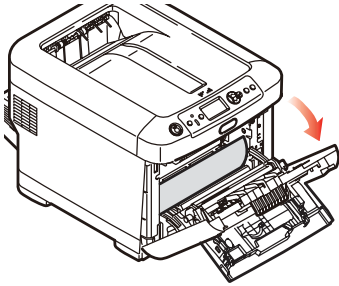


Close the duplex unit cover.

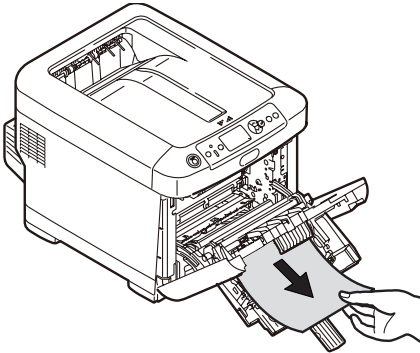


# Clearing Media Jams (cont.)

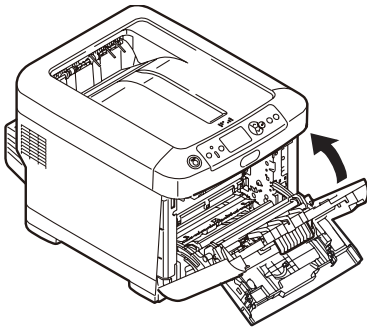
11. Lift the front cover release and open the front cover.



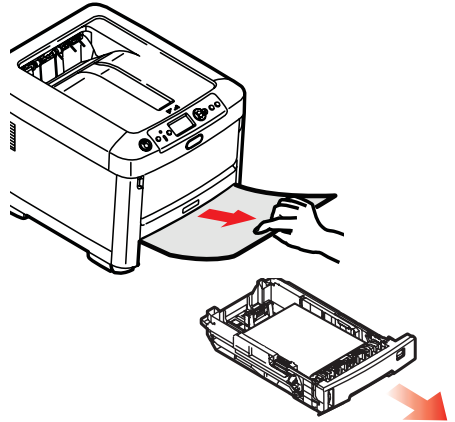
12. Remove any jammed paper.



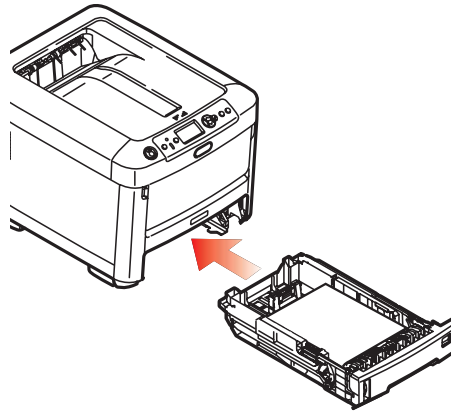
13. Close the front cover.



14. Pull out the paper tray and remove any jammed paper.



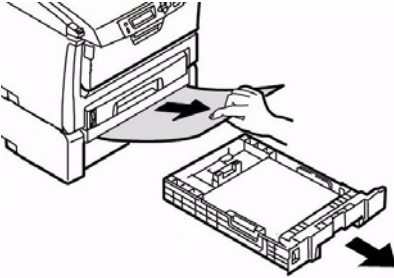
15. Close the tray.



# Clearing Media Jams (cont.)

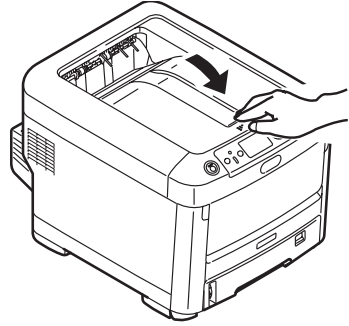
**For printers equipped with the optional second paper tray:**

Pull out the second paper tray and remove any jammed paper.



Close the tray.

16. Press down on the printer cover to latch it.



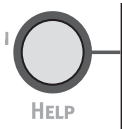
---

# Troubleshooting

---

## The Help Key

Your printer has a built-in help system.



When an error message appears on the display, press HELP. The display shows information that will help you correct the error, including clearing paper jams.

Use the **ON LINE** key to move through the Help information.

For more information on clearing paper jams, see "Clearing Media Jams" on page 15.

---

# Service & Support

---

## First ...

Consult the store where you purchased your printer.

## Additional OKI Resources

- Visit [MY.OKIDATA.COM](http://MY.OKIDATA.COM) 24 hours a day, 7 days a week for the latest information on
  - drivers and utilities
  - troubleshooting
  - Product news
  - and much more!
- Call 1-800-654-3282.

---

OKI is a registered trademark of Oki Electric Industry Company, Ltd.

AmEx is a registered trademark of American Express Co.

MasterCard is a registered trademark of MasterCard International, Inc.

VISA is a registered trademark of Visa.

Windows is either a registered trademark or trademark of Microsoft Corporation in the United States and other countries.



## Commande de fournitures

### Comment s'y prendre

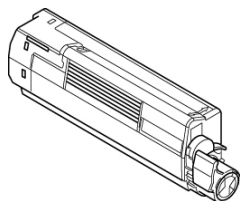
- Voyez le revendeur qui vous a vendu votre imprimante.
- Voyez un revendeur ou un service après-vente Oki Data agréé. (Pour connaître le revendeur le plus proche, composez le 1 800 654-3282.)
- Voyez les catalogues de fournitures de bureau.

### Numéros de commande

#### Toners, type C15

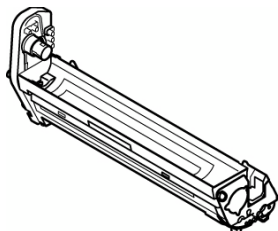
*Important!*

*Utilisez uniquement des cartouches de toner Oki d'origine.*



Cartouche de toner	N° de réf.
Noir	44315304
Cyan	44315303
Magenta	44315302
Jaune	44315301

#### Tambours, type C15



Tambour d'image	N° de réf.
Noir	44315104
Cyan	44315103
Magenta	44315102
Jaune	44315101

#### Éléments d'entretien : Unités de fusion et courroie de transfert

Les éléments d'entretien sont garantis contre tout défaut pendant 90 jours. Lorsque l'imprimante indique que leur durée utile est presque arrivée à sa fin, un élément de remplacement doit être acheté.

Élément	N° de réf.
Unité de fusion, 120 V	44289101
Unité de fusion 230 V	44289102
Courroie de transfert	44341901

#### Installation

Ces éléments comprennent des directives d'installation.

# Utilisation des menus de l'imprimante

## Déplacement

### Remarque

Les paramètres du pilote d'imprimante ont préséance sur les paramètres du menu de l'imprimante.



### Déplacement dans les menus

1. Appuyez sur



ENTER

pour accéder au mode Menu.

2. Appuyez à plusieurs reprises sur



ou



pour parcourir les catégories, éléments et valeurs.

3. Appuyez sur



ENTER

pour sélectionner une catégorie, un élément ou une valeur ou pour confirmer le nouveau réglage d'une valeur.

1. Appuyez sur



ON LINE

pour quitter le mode Menu.

### Exemple

Si le bac MF est utilisé pour les cartes d'index, configurez le menu d'impression comme suit :

1. Appuyez sur **ENTER**.
2. Appuyez sur la touche fléchée vers le bas jusqu'à ce que **Menu** s'affiche. Appuyez sur **ENTER**.
3. Appuyez sur **ENTER** pour sélectionner **Tray Configuration** (Config. des bacs).
4. Appuyez sur la touche fléchée vers le bas jusqu'à ce que **MPTray Config** (Config. bac MF) s'affiche. Appuyez sur **ENTER**.
5. Appuyez sur la touche fléchée vers le bas jusqu'à ce que **Media Type** (Type support) s'affiche. Appuyez sur **ENTER**.  
*Un astérisque (\*) s'affiche à côté du paramètre sélectionné.*
6. Appuyez sur **ON LINE**.

# Utilisation des menus de l'imprimante

## Sommaire des menus

### Sommaire des catégories de menu

- ⦿ **Configuration**
  - Tray Count (Compteurs bac)
  - Supplies Life (Durée utile des fournitures)
  - Network (Réseau)
  - System (Système)
- ⦿ **Print Information (Impression des informations)**
- ⦿ **Shutdown Menu (Menu arrêt)**
- ⦿ **Print Secure Job Menu (Menu Imprim. travail sécurisé)**
- ⦿ **Menus**
  - Tray Configuration (Config. des bacs)
- ⦿ **Admin Setup (Config. admin.)**

Pour être utilisé par l'administrateur système. Pour accéder à ce menu, vous devez entrer un mot de passe. Si vous n'avez pas d'administrateur système, le mot de passe par défaut est aaaaaa.
- ⦿ **Calibration (Étalonnage)**
- ⦿ **Boot Menu (Menu démarrage)**
- ⦿ **Parallel Setup (Configuration parallèle )**
- ⦿ **USB Setup (Configuration USB)**
- ⦿ **Security Setup (Paramètres de sécurité)**

- ⦿ **Storage Setup (Configuration de stockage)**
- ⦿ **Power Setup (Config. économie énergie)**
- ⦿ **Language Setup (Paramétrage de Langue)**
- ⦿ **Print Statistics (Statistiques d'impression)**

### Impression du rapport de configuration

Le rapport de configuration comprend la liste des paramètres de menu courants.

1. Appuyez sur **ENTER**.
2. Appuyez sur la touche fléchée vers le bas jusqu'à ce que **Print Information** (Impression des informations) s'affiche.
3. Appuyez sur **ENTER**.
4. Appuyez sur **ENTER** pour sélectionner **Configuration**.
5. Appuyez sur **ENTER** pour sélectionner **Execute** (Exécuter).

*Le rapport de configuration s'imprime et l'imprimante se remet en ligne.*

# Paramètres de support d'impression

*Assurez-vous que le paramétrage de support correspond au support utilisé.*

Des paramètres de support erronés :

- entraînent une impression de qualité médiocre;
- provoquent un écaillage;
- *peuvent endommager l'imprimante.*

## Note

Les paramètres du pilote d'imprimante ont préséance sur les paramètres de menu de l'imprimante.

## Paramètres par défaut

Le paramètre par défaut de grammage du support pour le bac 1 est Léger.

Le paramètre par défaut de grammage du support pour le bac multifonction est Moyen.

## Restauration des valeurs par défaut

### Note

Un mot de passe est requis pour accéder à ce menu d'imprimante. Si vous avez un administrateur système, seul ce dernier peut restaurer les valeurs par défaut.

1. Appuyez sur **ENTER**.
2. Appuyez sur la touche fléchée vers le bas jusqu'à ce que **Admin Setup** (Config. admin.) s'affiche. Appuyez sur **ENTER**.

3. Entrez le mot de passe de l'administrateur (le mot de passe par défaut est aaaaaa).
  - a. Appuyez sur la touche fléchée vers le haut (a à z, 0 à 9) ou vers le bas (9 à 0, z à a) pour parcourir les chiffres et les lettres de l'alphabet.
  - b. Appuyez sur **ENTER**.
  - c. Répétez les étapes a et b ci-avant pour chaque caractère du mot de passe.
4. Appuyez sur **ENTER**.
5. Appuyez sur la touche fléchée vers le bas jusqu'à ce que **Settings** (Réglages) s'affiche. Appuyez sur **ENTER**.
6. Appuyez sur **ENTER** pour sélectionner **Reset Settings** (Réinit. réglages).
7. Appuyez sur **ENTER** pour sélectionner **Execute** (Exécuter).

*L'imprimante est remise à l'état initial et se met en ligne.*

# Paramètres de support d'impression

## Modification temporaire du paramètre de support pour les travaux d'impression individuels

Si vous effectuez un travail d'impression sur un support spécial, vous pouvez charger provisoirement le support dans un bac et modifier les paramètres de support de ce bac *dans le pilote d'imprimante*.

## Paramètres de grammage

Le paramétrage de grammage du support peut être effectué dans le pilote ou le menu de l'imprimante.

- Léger : bond US de 16 à 17 lb (60 à 63 g/m<sup>2</sup>)
- Moyen léger : bond US de 18 (64 à 74 g/m<sup>2</sup>)
- Moyen : bond US de 20 à 24 lb (75 à 89 g/m<sup>2</sup>)
- Moyen lourd: bond US de 24 à 28 lb (90 à 104 g/m<sup>2</sup>)
- Lourd : bond US de 28 à 32 lb (105 à 120 g/m<sup>2</sup>)
- Très lourd 1 (bac 1) : bond US de 32 à 50 lb (121 à 188 g/m<sup>2</sup>)
- Très lourd 2 : bond US de 50 à 59 lb (189 à 220 g/m<sup>2</sup>)
- Très lourd 3: bond US de 59-67 lb (221 à 250 g/m<sup>2</sup>)

# Bacs 1, 2 et 3 optionnel

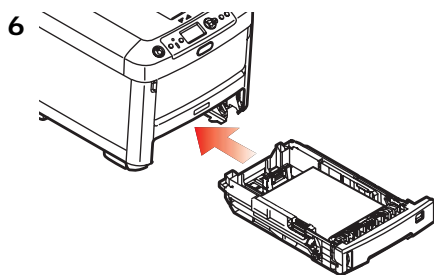
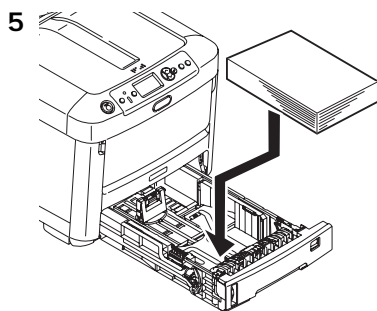
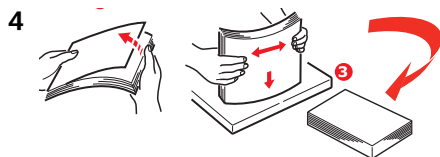
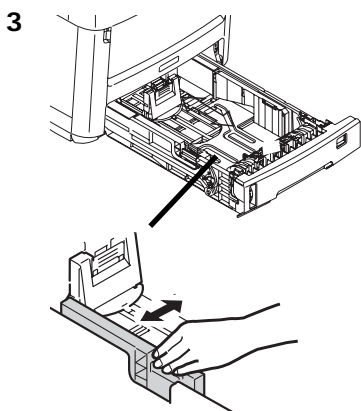
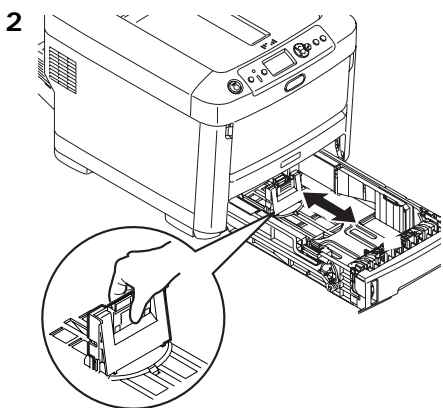
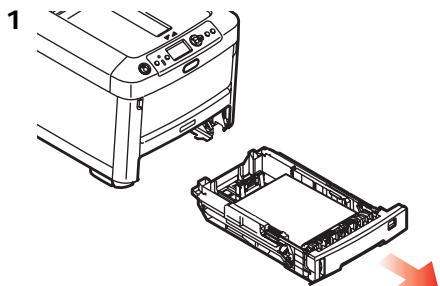
## Supports d'impression utilisables

### Paramètres de support

<b>Grammage du support :</b>	Bond US de 16 à 67 lb (60 à 250 g/m <sup>2</sup> )
<b>Plage de formats de support :</b>	Lettre, légal 14, légal 13,5, légal 13, Executive, A4, A5, A6, B5.
<b>Formats personnalisés :</b>	<ul style="list-style-type: none"><li>• Min. : <i>Bac 1</i> = 5,5 x 8,3 po' (140 x 211 mm)</li><li>• Max. : <i>Bac 1</i> = 8,5 x 14 po (216 x 356 mm)</li></ul> Doivent être définis dans le pilote d'imprimante avant l'impression; consultez le Guide de l'utilisateur en ligne.
<b>Capacité :</b>	250 feuilles de 21 lb (80 g/m <sup>2</sup> )

# Bacs 1, 2 et 3 optionnel (suite)

## Chargement des supports d'impression



# Bac multifonction

## Supports d'impression utilisables

### Paramètres de support

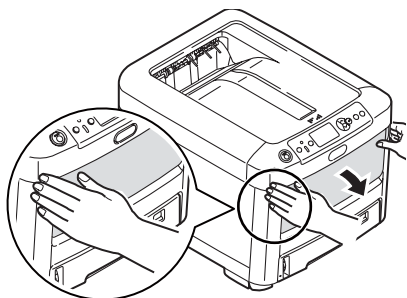
<b>Plage de grammages :</b>	<i>Bond US</i> de 16 à 67 (60 à 250 g/m <sup>2</sup> )
<b>Plage de formats de support :</b>	Lettre, légal 14, légal 13,5, légal 13, Executive, A4, A5, A6, B5, et enveloppe COM-10.
<b>Plage de formats :</b>	Largeur: 3 à 8,5 po (76 à 216 mm) Longueur: 5 à 52 po (127 à 1320 mm) (Bannières)  Doivent être définis dans le pilote avant l'impression; voyez le Guide de l'utilisateur en ligne pour plus d'information.
<b>Capacités :</b>	<ul style="list-style-type: none"><li>• 100 feuilles de 20 lb (75 g/m<sup>2</sup>)</li><li>• 10 Enveloppes</li><li>• 20 Étiquettes des feuilles</li><li>• 50 transparents</li><li>• Bannières, une à la fois</li></ul>



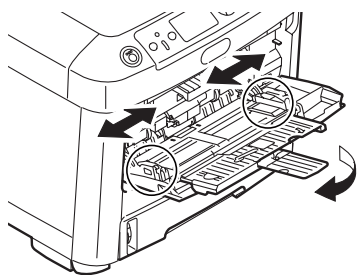
# Bac multifonction (suite)

## Chargement des supports d'impression

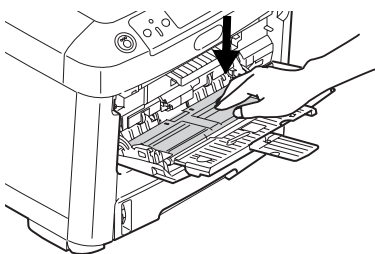
1



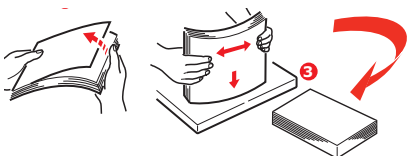
2



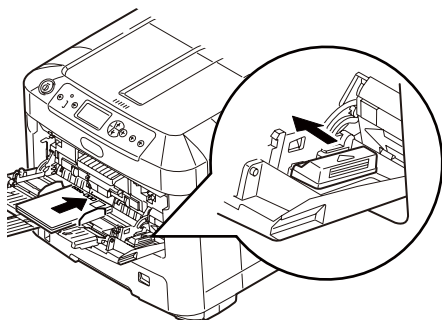
3



4



5



### Papier à en-tête

- Chargez la face d'impression vers le haut, partie supérieure engagée dans l'imprimante.

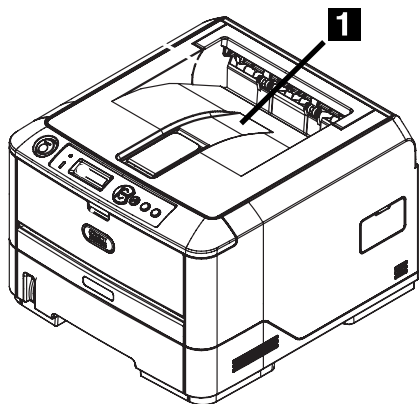
### Enveloppes

- Chargez le côté d'impression vers le haut (volet face vers le bas), le bord supérieur engagé dans l'imprimante.

## Bacs de sortie

### Bac de sortie supérieur (face vers le bas)

Ce bac de sortie est celui normalement utilisé.



- Peut contenir du papier bond US jusqu'à 47 lb (176 g/m<sup>2</sup>).
- Peut contenir jusqu'à 250 feuilles de papier bond US de 20 lb (75 g/m<sup>2</sup>).
- Les imprimés sont empilés face vers le bas.

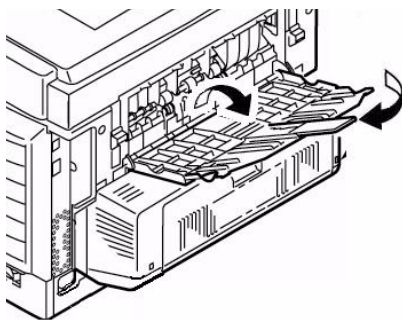
### Bac de sortie arrière (face en dessus)

- Offre un chemin d'impression sans courbure et direct pour les transparents, les enveloppes, les étiquettes et le papier épais.
- Peut contenir du papier bond US de 17 à 58 lb (64 à 220 g/m<sup>2</sup>).
- Peut contenir jusqu'à 100 feuilles de papier bond US de 20 lb (75 g/m<sup>2</sup>).
- Les imprimés sont empilés face vers le haut (pour les documents comportant plusieurs pages, sélectionnez l'impression en ordre inversé dans la boîte de dialogue Imprime).

#### Note

Si le bac de sortie arrière est ouvert, toutes les pages imprimées y sortiront, peu importe les réglages du pilote.

#### Ouvrez le bac de sortie arrière



---

## Mode d'économie d'énergie

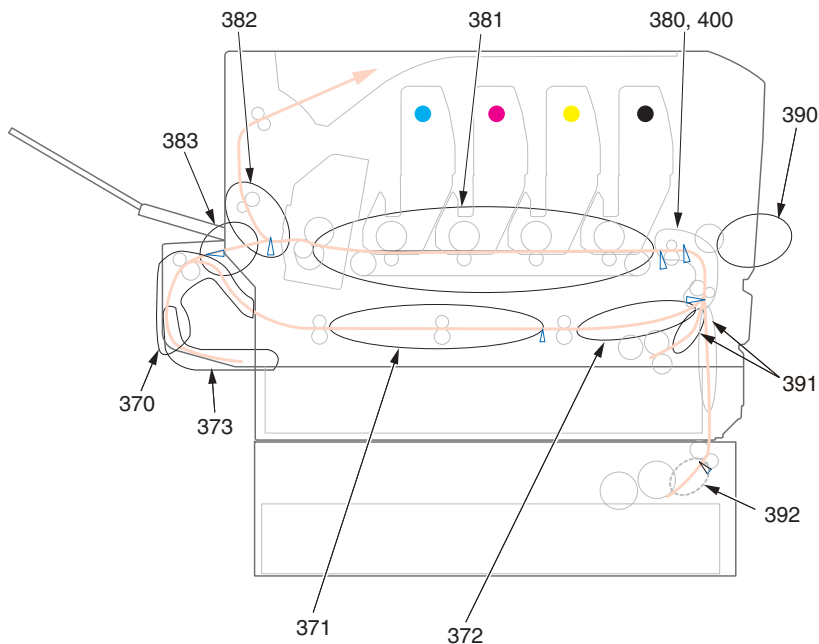
---

Le mode Économie d'énergie permet de configurer le délai d'attente avant que le mode Veille soit activé sur l'imprimante. Le paramètre par défaut est 1 minute.

Cela permet d'économiser de l'énergie, mais l'imprimante requiert un délai de préchauffage lorsqu'elle reçoit un travail d'impression ou lorsque vous accédez aux menus et modifiez des paramètres.

Pour plus de renseignements, consultez le Guide de l'utilisateur en ligne.

# Dégagement des bourrages



Si les mots « Paper Jam » (Bourrage de papier) s'affichent à l'écran, il s'est produit un bourrage de papier dans l'imprimante. Dépendamment de l'emplacement du bourrage, il peut y avoir plus d'une feuille dans l'imprimante.

*Si une feuille est retirée et qu'il reste d'autres feuilles dans l'imprimante, le message « Paper Jam » (Bourrage de papier) initial s'effacera temporairement et s'affichera de nouveau.*

## Messages d'erreur de bourrage

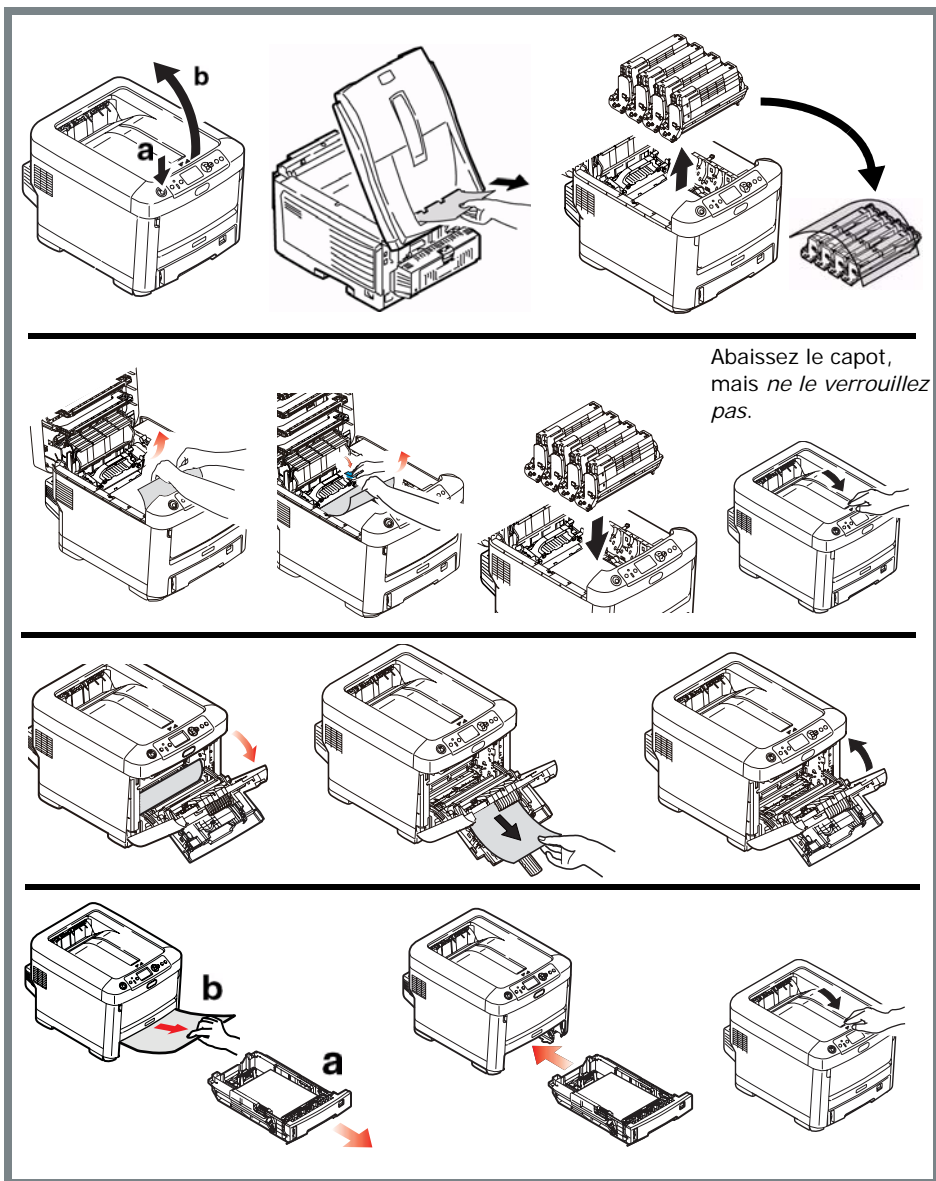
Numéro d'erreur	Emplacement	Numéro d'erreur	Emplacement
370	Unité duplex (recto verso)*	382	Sortie de papier
371	Unité duplex*	383	Unité duplex*
372	Unité duplex*	390	Bac MF
373	Unité duplex*	391	Bac papier
380	Alimentation papier	392	Deuxième bac à papier*
381	Circuit papier	400	Format papier

\* S'applique seulement si cette option est installée.

## Dégagement des brouillages (suite)

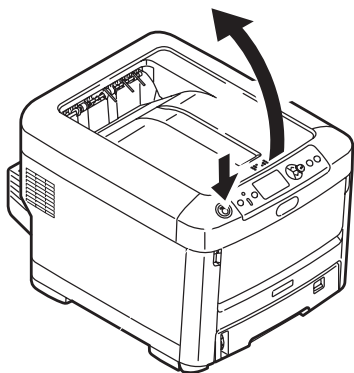
Le tableau ci-dessous présente un sommaire du processus de base pour éliminer les brouillages.

Pour plus d'informations, consultez les pages qui suivent.

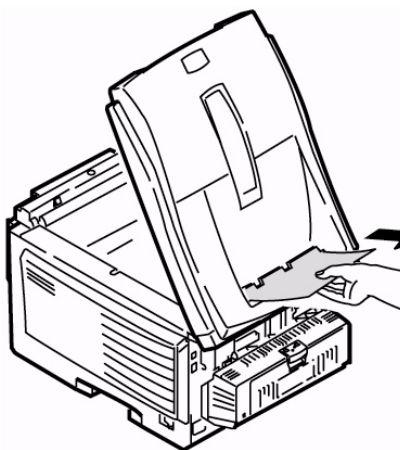


## Dégagement des bourrages (suite)

1. Ouvrez le capot supérieur.



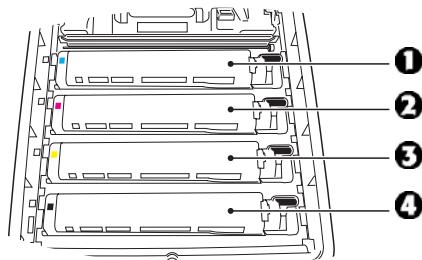
2. Si une feuille est bien avancée dans la sortie en haut de l'imprimante, il suffit de la saisir et de la tirer doucement pour l'extraire complètement de l'imprimante.



### **Attention**

*L'unité de fusion peut être très chaude. Une étiquette est apposée clairement sur cette partie. Ne la touchez pas.*

Notez l'emplacement des différentes cartouches de toner de couleur.



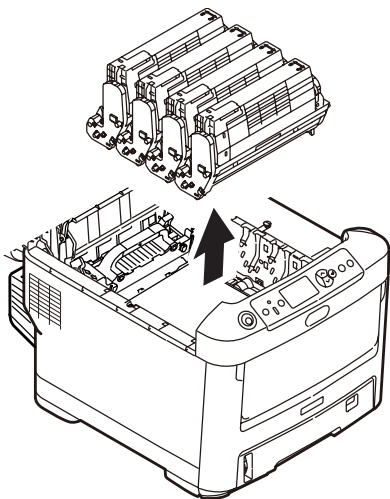
- 1 = Cyan
- 2 = Magenta
- 3 = Jaune
- 4 = Noir

### **Attention!**

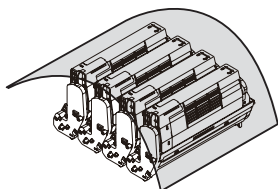
*Ne touchez pas la surface verte du tambour d'impression. N'exposez jamais la cartouche du tambour d'impression à la lumière pendant plus de 5 minutes.*

## Dégagement des bourrages (suite)

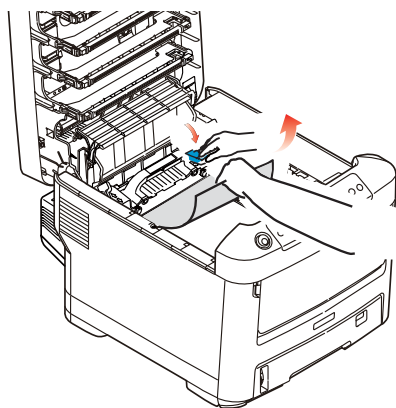
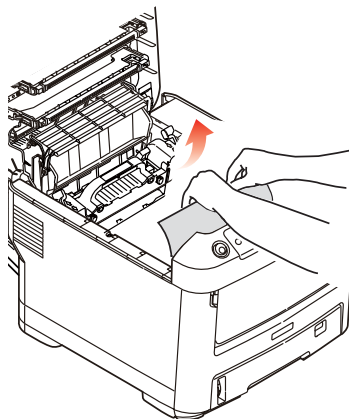
3. Retirez les cartouches tambour/toner et placez-les sur une surface plane.



4. Couvrez-les pour les protéger contre la lumière.

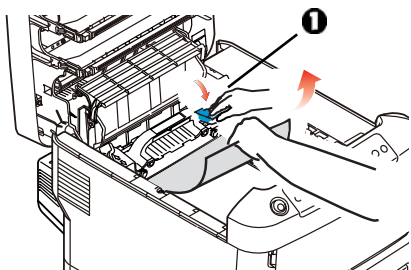


5. Retirez délicatement toute feuille bloquée.

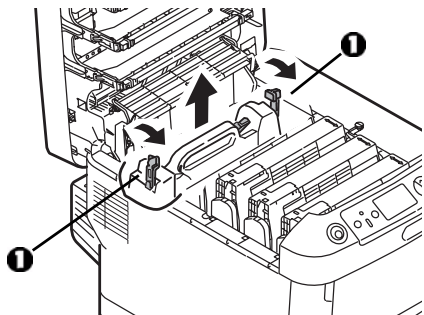


## Dégagement des brouillages (suite)

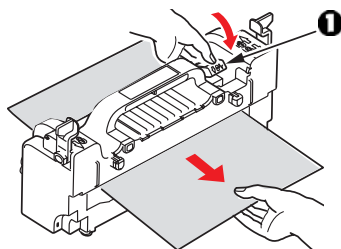
6. Pour retirer une feuille tout juste entrée dans l'unité de fusion, dégagez la partie arrière de la feuille de la courroie, tirez vers l'avant le levier de pression de l'unité de fusion (1) et retirez la feuille. Relâchez ensuite le levier.



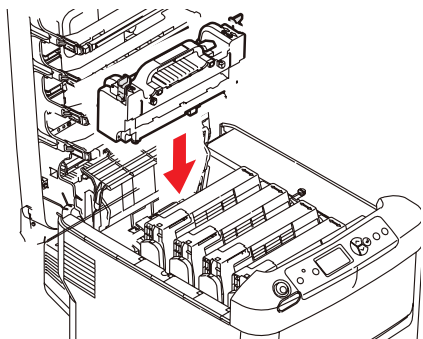
7. Si la feuille est bien avancée dans l'unité de fusion :
- a. Poussez les deux leviers de verrouillage (1) vers l'avant de l'imprimante pour libérer l'unité de fusion. Sortez ensuite l'unité de fusion en utilisant sa poignée.



- b. Poussez le levier de verrouillage (1) et tirez le papier coincé de l'unité de fusion pour le sortir.



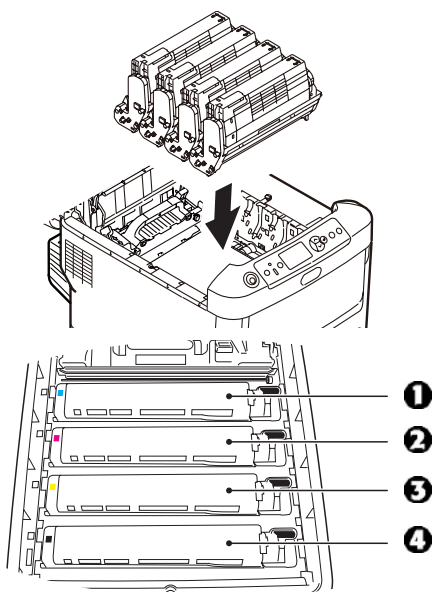
- c. Remettez en place l'unité de fusion et poussez les leviers de verrouillage vers l'arrière de l'imprimante.





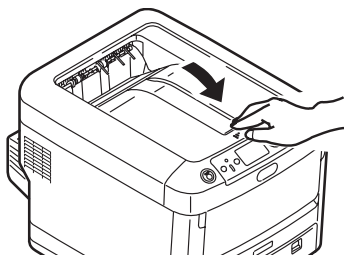
## Dégagement des bourrages (suite)

8. Réinstallez les quatre cartouches tambour/toner dans l'imprimante, en les plaçant dans la séquence appropriée.

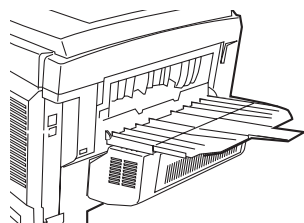


- 1 = Cyan  
2 = Magenta  
3 = Jaune  
4 = Noir

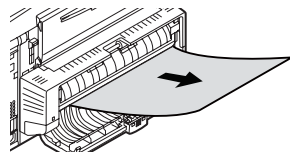
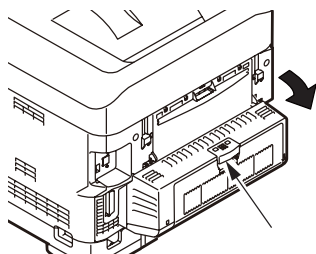
9. Abaissez le capot de l'imprimante pour protéger les cartouches de la lumière, mais ne le verrouillez pas.



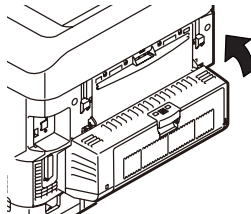
10. Ouvrez le bac de sortie arrière et retirez toute feuille qui s'y trouverait.



Si votre imprimante est dotée de l'unité duplex (recto verso) : Ouvrez le capot. Retirez les feuilles coincées dans cette partie.

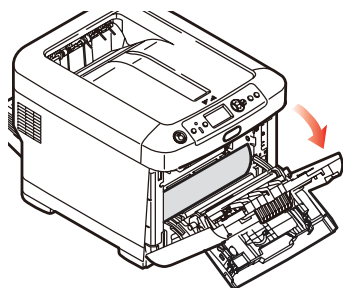


Fermez le capot.

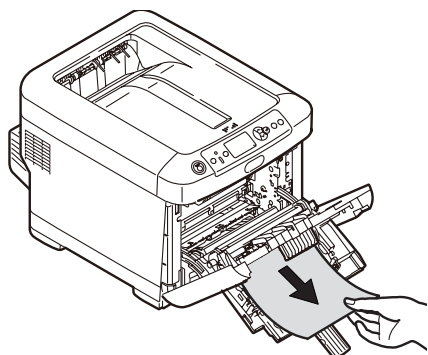


## Dégagement des brouillages (suite)

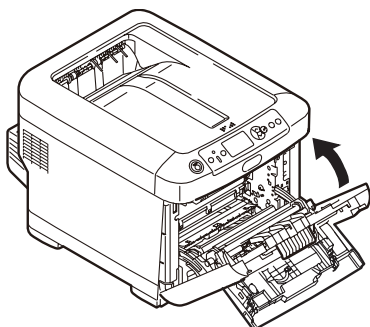
11. Soulevez le loquet du capot avant et ouvrez le capot avant en le tirant.



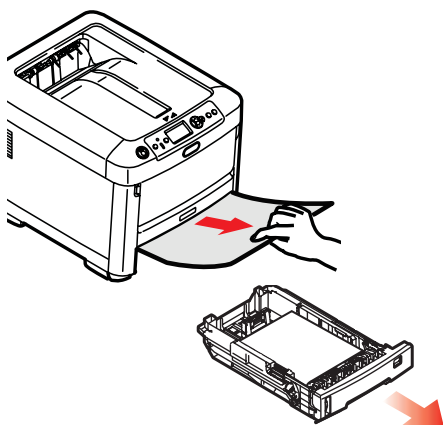
12. Retirez tout papier coincé.



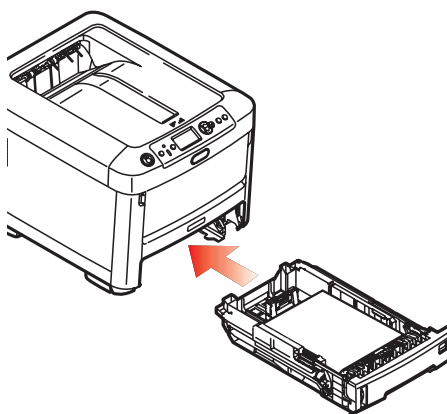
13. Fermez le capot avant.



14. Sortez le bac à papier et retirez tout papier brouillé à l'intérieur.



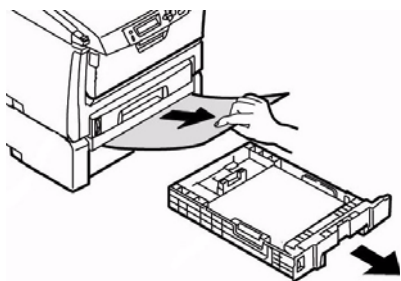
15. Fermez le bac à papier.



## Dégagement des brouillages (suite)

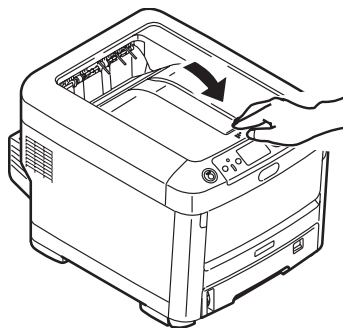
**Si votre imprimante est dotée de deuxième bac à papier :**

Sortez le deuxième bac à papier. Retirez les feuilles coincées dans cette partie.



Fermez le bac.

16. Fermez le capot, en exerçant une pression pour le verrouiller.



---

# Dépannage

---

## Touche Help (Aide)

L'imprimante possède un système d'aide intégré.



Lorsqu'un message d'erreur s'affiche, appuyez sur HELP (AIDE). L'affichage indique des renseignements qui vous aideront à supprimer l'erreur, y compris comment dégager les bourrages.

Utilisez la touche **ON LINE** pour parcourir les renseignements d'aide.

Pour plus d'information sur l'élimination des bourrages, consultez "Dégagement des bourrages" es page 36.

---

# Service et support

---

## D'abord...

consultez le revendeur qui vous a vendu votre imprimante.

## Ressources Oki supplémentaires

- Visitez notre site Web multilingue 24 heures sur 24, 7 jours sur 7 : [WWW.OKIPRINTINGSOLUTIONS.COM](http://WWW.OKIPRINTINGSOLUTIONS.COM).
- Visitez [MY.OKIDATA.COM](http://MY.OKIDATA.COM) (anglais uniquement) 24 heures sur 24, 7 jours sur 7.
- Composez le 1-800-654-3282.

---

Oki est une marque déposée de Oki Electric Industry Company, Ltd.

AmEx est une marque déposée de American Express Co.

MasterCard est une marque déposée de MasterCard International, Inc.

VISA est une marque déposée de Visa.

Windows est une marque de commerce ou une marque déposée de Microsoft Corporation aux États-Unis et dans d'autres pays.

## Cómo hacer sus pedidos de suministros

### Cómo hacer pedidos

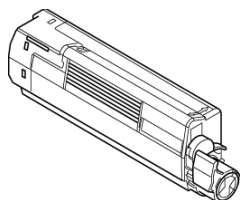
- Consulte el distribuidor donde compró su impresora.
- Consulte un Distribuidor autorizado o un Proveedor de Servicios de Oki Data. (Para averiguar cual es el distribuidor más cercano, llame al 1-800-654-3282.)
- Solo en EE.UU., Puerto Rico, Guam, Islas Vírgenes (EE.UU.): Haga sus pedidos en la Internet  
WWW.OKIPRINTINGSOLUTIONS.COM
- Solo EE.UU.: Llamada sin cargo al 1-800-654-3282, y utilice su tarjeta VISA®, MasterCard® o AMEX®.

### Número de los repuestos

#### Tóners, Tipo C15

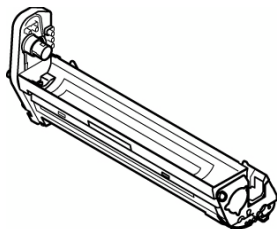
*¡Importante!*

*Sólo utilice Cartuchos de tóner originales de Oki.*



Tóner	No. de pieza
Negro	44315304
Cian	44315303
Magenta	44315302
Amarillo	44315301

### Cilindros, Tipo C15



Cilindro de imagen	No. de pieza
Negro	44315104
Cian	44315103
Magenta	44315102
Amarillo	44315101

### Ítems de mantenimiento: Fusores y cintas de transporte

Los ítems de mantenimiento cuentan con una garantía de 90 días contra defectos. Deberá comprar repuestos cuando el panel de la impresora indica que están por llegar al final de su vida útil

Consumible	No. de pieza
Fusor, 120V	44289101
Fusor, 230V	44289102
Cinta de transporte	44341901

### Instalación

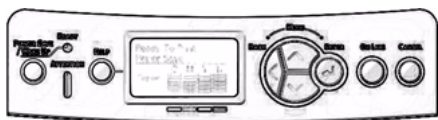
Estos ítems incluyen las instrucciones de instalación.

# Uso el menú de la impresora

## Navegar

### Nota

Los ajustes del controlador de la impresora normalmente anulan los del menú.



### Navegar del modo menú

1. Presione



ENTER

para entrar en modo Menú.

2. Presione



o



varias veces para deslizarse en los categorías, ítems e valores.

3. Presione



ENTER

para cambiar Category (Categoría), Item (Ítem) o Value (Valor) o para guardar los cambios hechos a Value (Valor).

1. Presione



ON LINE

para salir del modo menú.

### Por ejemplo

Si generalmente va a cargar tarjetas índice en la Bandeja MU, configure el menú de la impresora como sigue:

1. Presione **ENTER**.
2. Pulse el botón con la flecha hacia abajo para encontrar el ítem **Menu**. Presione **ENTER**.
3. Presione Enter para seleccionar **Tray Configuration** (Config. de bandeja).
4. Presione el botón con la flecha hacia abajo para encontrar el ítem **MPTray Config**. Presione **ENTER**.
5. Presione el botón con la flecha hacia abajo para encontrar el ítem **Media Type** (Config. de bandeja multiuso). Presione **ENTER**.
6. Presione el botón con la flecha hacia abajo para encontrar el ítem **Card Stock** (Tarjetas índice). Presione **ENTER**.  
*Aparece un asterisco al lado de su selección. Se fija el ajuste.*
7. Presione **ON LINE**.

# Uso el menú de la impresora

## Resumen de la menú

### Resumen de las categorías

- Ⓞ **Configuration (Configuración)**
  - Tray Count (Conteo bandeja)
  - Supplies Life (Vida útil de los suministros)
  - Network (Red)
  - System (Sistema)
- Ⓞ **Print Information (Información de impresión)**
- Ⓞ **Shutdown Menu (Menú de apagado)**
- Ⓞ **Print Secure Job Menu (Menú Imprimir una tarea segura)**
- Ⓞ **Menus (Menús)**
  - Tray Configuration (Config. ban-dejas)
  - System Adjust (Ajuste sistema )
- Ⓞ **Admin Setup (Config. del administrador)**

Reservado para el Administrador de sistemas. Para entrar en este menú debe entrar una contraseña. Si no existe un administrador, la contraseña es aaaaaa.
- Ⓞ **Calibration (Calibración)**
- Ⓞ **Boot Menu (Menú Reiniciar)**
- Ⓞ **Parallel Setup (Configuración paralela)**
- Ⓞ **USB Setup (Config. de USB)**
- Ⓞ **Security Setup (Config. Seguridad)**

- Ⓞ **Storage Setup (Config. almacenamiento)**
- Ⓞ **Power Setup (Configuración de alimentación)**
- Ⓞ **Language Setup (Config. Idioma)**
- Ⓞ **Print Statistics (Estadísticas de impresión)**

### Impresión del Informe de configuración

El Informe de configuración contiene una lista de las configuraciones actuales del menú.

1. Presione **ENTER**.
2. Presione el botón con la flecha hacia abajo para seleccionar **Print Information** (Inf. sobre impresión).
3. Presione **ENTER**.
4. Presione **ENTER** para seleccionar **Configuration (CONFIGURACIÓN)**.
5. Presione **ENTER** para seleccionar **Execute** (Ejecutar).

*El Informe de configuración se imprime y la impresora se coloca en línea.*



# Configuración de los Medios de Impresión

*Asegúrese de que la configuración del medio corresponde con el medio de impresión que está utilizando.*

Los valores de impresión equivocados pueden:

- producir una calidad de impresión inferior
- producir escamas en los impresos
- *dañar la impresora*

## Nota

Les paramètres du pilote d'imprimante ont préséance sur les paramètres du menu de l'imprimante.

## Valores predeterminados

La configuración predeter-minada del peso del medio en la Bandeja 1 es Ligero.

La configuración predeter-minada del peso del medio en la bandeja multiuso es medio.

## Cómo restaurar los valores predeterminados

### Nota

Se requiere una contraseña para tener acceso a este menú de la impresora. Solo el Administrador de sistemas puede reiniciar los valores por defecto.

1. Presione **ENTER**.
2. Presione el botón con la flecha hacia abajo para encontrar el ítem **Admin Setup** (Config. Admin.). Presione **ENTER**.

3. Entre la contraseña del administrador (la contraseña por defecto es aaaaaa).
  - a. Presione el botón con la flecha hacia arriba (a - z, 0 - 9) o la tecla con flecha hacia abajo (9 - 0, z - a) para seleccionar los diferentes números y letras del alfabeto.
  - b. Presione **ENTER**.
  - c. Repita los pasos a y b anteriores para entrar cada dígito de la contraseña.
4. Presione **ENTER**.
5. Presione el botón con la flecha hacia abajo para encontrar el ítem **Settings** (Config.). Presione **ENTER**.
6. Presione **ENTER** para seleccionar **Reset Settings** (Reiniciar valores predeterminados).
7. Presione **ENTER** para seleccionar **Execute** (Ejecutar).

*La impresora es reiniciada y vuelve a su estado en línea.*

# Configuración de los Medios de Impresión

## Cambio temporal de medios de impresión para tareas de impresión individuales

Si va a imprimir en un medio especial, puede cargar el medio temporalmente en una bandeja y cambiar la configuración del medio de esa bandeja *en el controlador* cuando lo imprima.

## Ajustes del peso del medio

La configuración del peso del medio de impresión se puede hacer en el controlador de la impresora o en el menú de la impresora.

- Ligerito: 16–17 lb. US Bond (60–63 g/m<sup>2</sup>)
- Ligerito mediano: 18 lb. US Bond (64–74 g/m<sup>2</sup>)
- Mediano: 22–24 lb. US Bond (75–89 g/m<sup>2</sup>)
- Mediano pesado: 24–28 lb. US Bond (90–104 g/m<sup>2</sup>)
- Pesado: 28–32 lb. US Bond (105–120 g/m<sup>2</sup>)
- Muy pesado<sup>1</sup> (Tray 1): 32–50 lb. US Bond (121–188 g/m<sup>2</sup>)
- Muy pesado<sup>2</sup>: 50–59 lb. US Bond (189–220 g/m<sup>2</sup>)
- Ultra Heavy 3: 59–67 lb. US Bond (221–250 g/m<sup>2</sup>)

# Bandeja 1, Bandejas 2 y 3 Opcional

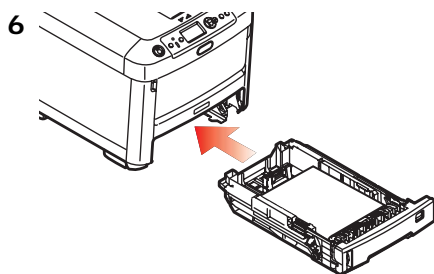
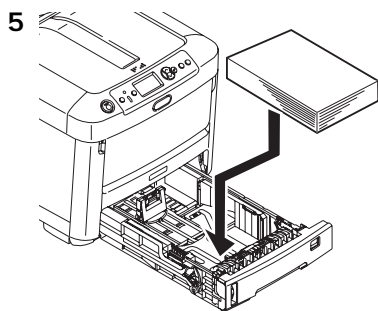
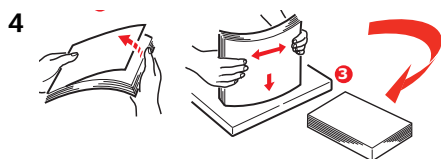
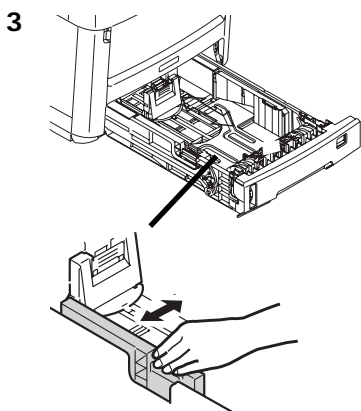
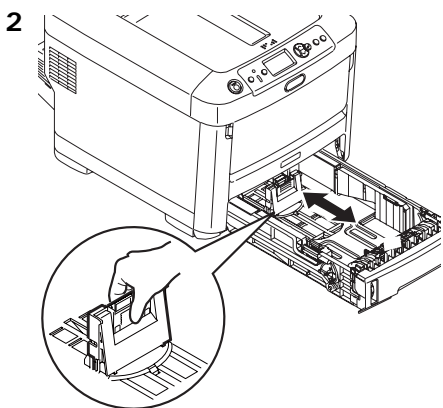
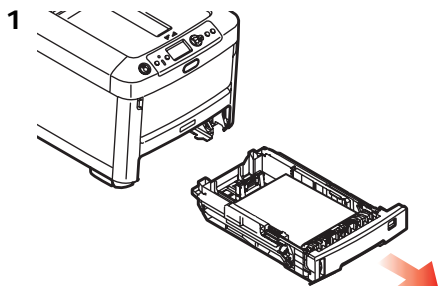
## Medios de Impresión utilizable

### Specificaciones de medios de impresión

<b>Tipo de peso del medio:</b>	16 a 67 lb. US Bond (60 a 250 g/m <sup>2</sup> )
<b>Tamaños estándar:</b>	Carta, Legal-14, Legal-13,5, Legal-13, Ejecutivo, A4, A5, A6, B5.
<b>Tamaños personalizados:</b>	<ul style="list-style-type: none"><li>• Mín.: 5.5 x 8.3" (140 x 211 mm)</li><li>• Máx.: 8.5 x 14" (216 x 356 mm)</li></ul> Debe configurar los tamaños personalizados en el controlador antes de imprimir. Vea la Guía del Usuario en el CD ROM.
<b>Capacidad:</b>	250 sheets of 21-lb. (80 g/m <sup>2</sup> ) paper

# Bandeja 1, Bandejas 2 y 3 Opcional (cont.)

## Carga del papel



# Bandeja Multi-Uso

## Medios de Impresión utilizable

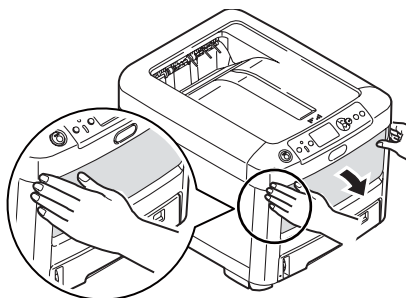
### Especificaciones de medios de impresión

<b>Peso:</b>	16–67 lb. US Bond (60–250 g/m <sup>2</sup> )
<b>Tamaños estándar:</b>	Carta, Legal-14, Legal-13,5, Legal-13, Ejecutivo, A4, A5, A6, B5, y Sobre COM-10.
<b>Tamaño:</b>	Width: 3" – 8.5" (76 – 216 mm) Length: 5" – 52" (127 – 1320 mm) (banner printing)  Los tamaños que no son estándar deben ser definidos con el controlador antes de imprimir: vea la Guía del Usuario en línea.
<b>Capacidad:</b>	<ul style="list-style-type: none"><li>• 100 hojas de papel de 20 lb. (75 g/m<sup>2</sup>)</li><li>• 10 sobres</li><li>• 20 hojas de etiquetas</li><li>• 50 transparencias</li><li>• Pancartas, una hoja al la vez</li></ul>

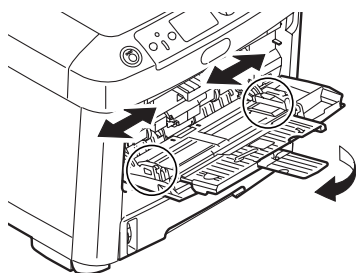
# Bandeja Multi-Usos (cont.)

## Carga del medios de impresión

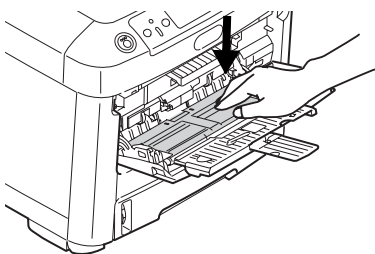
1



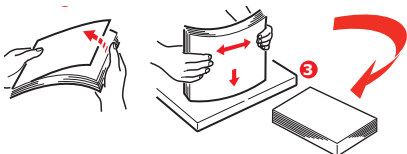
2



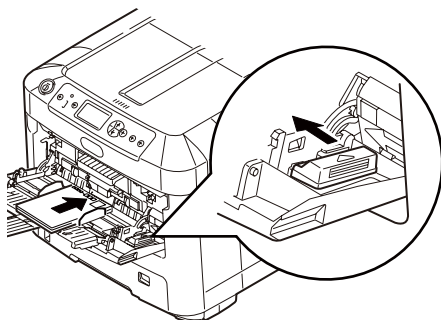
3



4



5



### Papel membrete:

- Cargar cara arriba, introduciendo *la parte superior* del papel en la impresora.

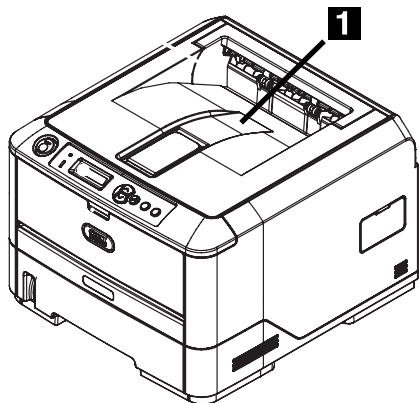
### Sobres

- Cargue el lado imprimible (solapa hacia abajo) con el borde superior en dirección hacia la parte de la impresora.

# Bandejas de salida

## Bandeja de salida superior (cara abajo)

Esta es la bandeja de salida que se utiliza normalmente.



- Acepta cartulina de hasta 50 lb. US Bond (188 g/m<sup>2</sup>).
- Capacidad de 250 hojas de papel de 21-lb (80 g/m<sup>2</sup>).
- Apila las páginas impresas cara abajo.

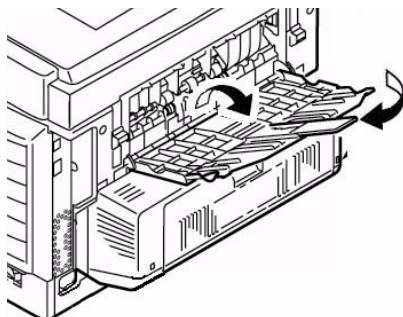
## La bandeja de salida posterior (cara arriba)

- Tiene un trayecto de impresión recto. Se utiliza para transparencias, sobres, etiquetas y medios de impresión pesados.
- Acepta cartulina 16 a 67-lb. US Bond (60 to 250 g/m<sup>2</sup>).
- Capacidad de 100 hojas de papel de 21-lb (80 g/m<sup>2</sup>).
- El papel se imprime cara arriba (para documentos con muchas hojas, seleccione el orden de impresión inverso en el cuadro de diálogo de Imprimir de su aplicación).

### Nota

Si la bandeja posterior está abierta, todas las páginas impresas saldrán por ahí aunque haya indicado otra salida en el controlador de la impresora.

## Abrir la bandeja de salida posterior



---

## Ahorro de energía

---

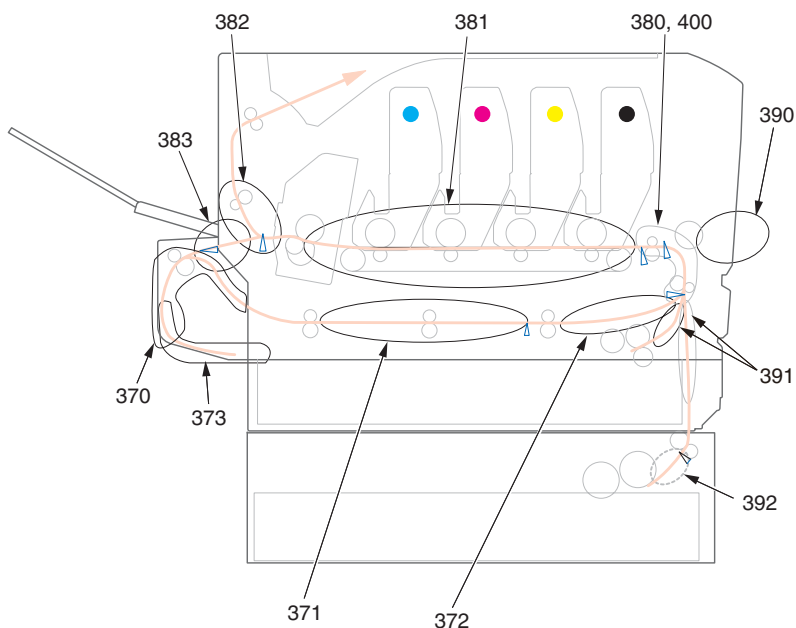
Esta característica controla el tiempo que le toma a la impresora pasar al modo en espera. La configuración predeterminada es 1 minuto.

Esto ahorra energía, pero la impresora necesitará tiempo para calentarse cuando recibe una tarea de impresión o cuando haya que hacer cambios al menú.

Para mayor información, refiérase a la Guía del Usuario en línea.



# Solución de atascos



Cuando aparece el mensaje "Paper Jam" (Atasco de papel) en la segunda línea de la pantalla, hay papel atascado.

Dependiendo de donde está el papel atascado, puede haber más de una hoja atascada en la impresora.

*Si retira una hoja pero aún quedan más hojas atascadas en la impresora, el mensaje inicial desaparece temporalmente pero luego vuelve aparecer el mensaje "Paper Jam" (Atasco de papel)*

## Mensajes de errores: Atascos de papel

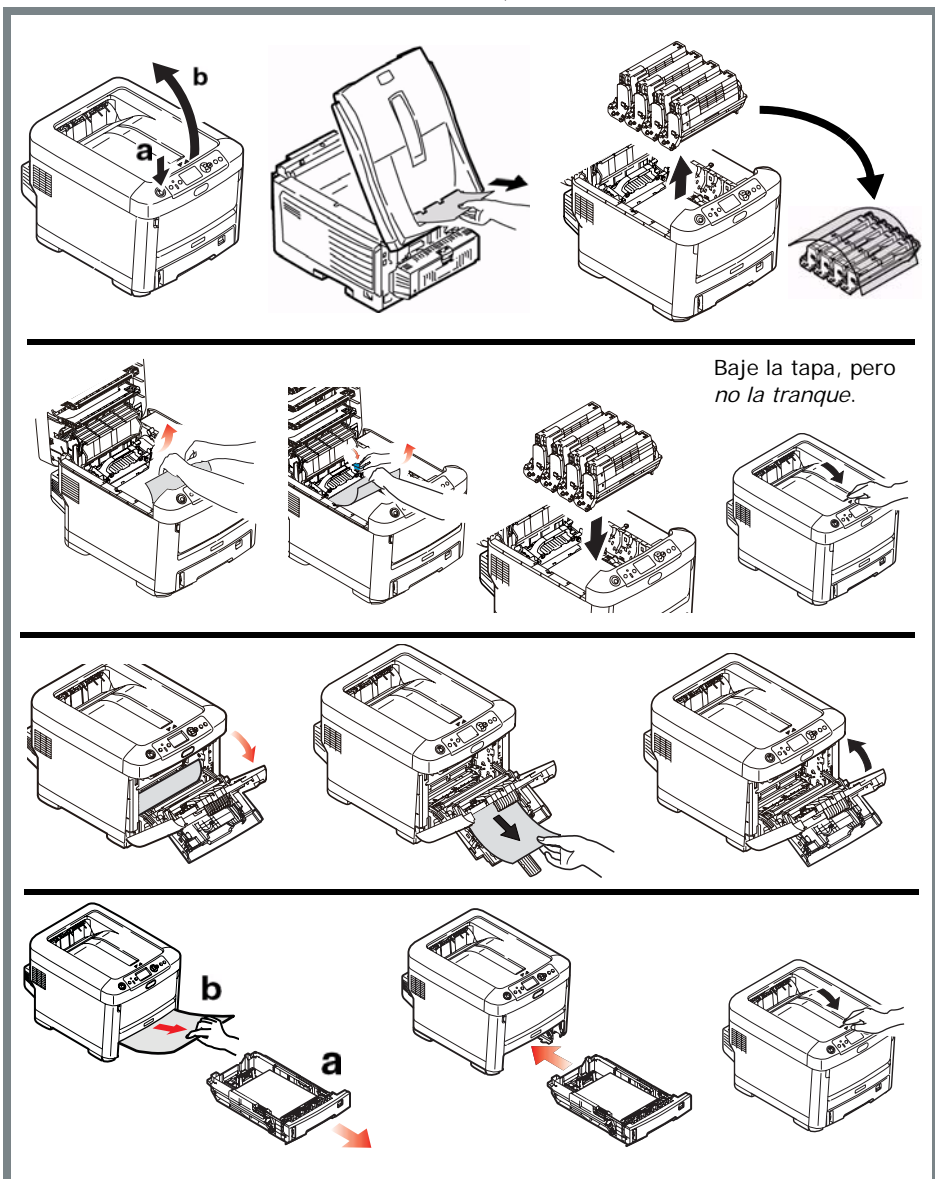
Número del error	Ubicación	Número del error	Ubicación
370	Unidad Dúplex <sup>1</sup>	382	Salida de papelt
371	Unidad Dúplex*	383	Unidad Dúplex*
372	Unidad Dúplex*	390	Bandeja MU
373	Unidad Dúplex*	391	Bandeja del papel
380	Alimentación papel	392	Segunda Bandeja de Pape*
381	Ruta del papel	400	Tamaño de papel

1 Disponible únicamente si esta opción está instalada.

## Solución de atascos (cont.)

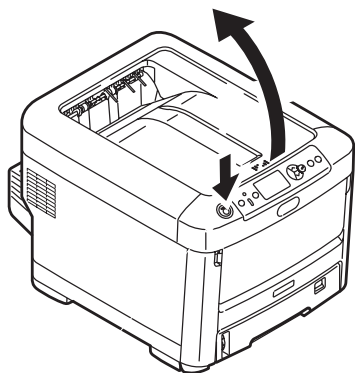
El cuadro muestra un resumen del proceso básico para resolver los atascos.

Para mayores detalles vea las páginas siguientes.

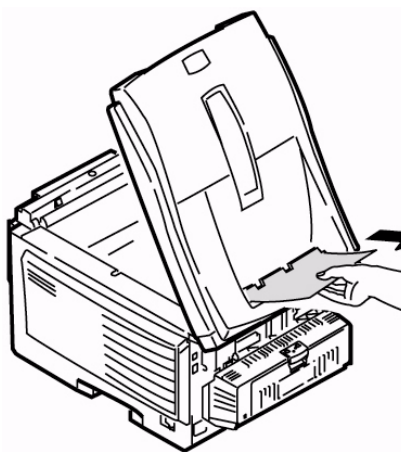


## Solución de atascos (cont.)

1. Abra la tapa superior.



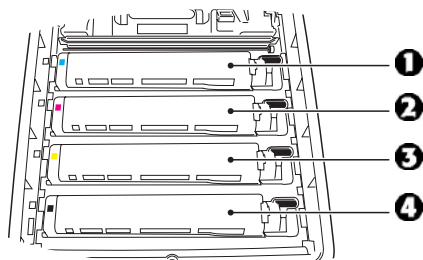
2. Si la hoja atascada está casi totalmente fuera de la impresora, saquela halando con cuidado.



### **Precaución**

**El fusor puede estar caliente. Esta zona está claramente marcada. No la toque.**

Tome nota de la ubicación de los diferentes cartuchos de tóner a color.



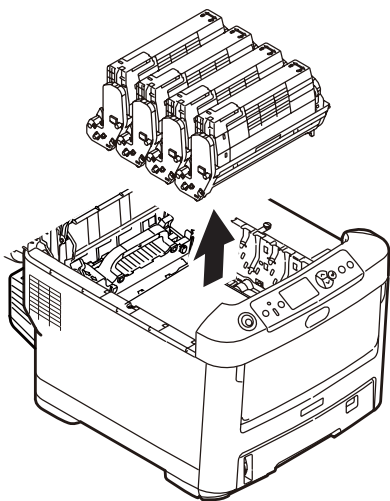
- 1 = Cian
- 2 = Magenta
- 3 = Amarillo
- 4 = Negro

### **Precaución!**

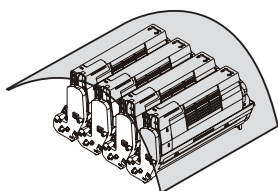
**No toque la superficie verde brillante del cilindro de imagen. No exponga los cilindros a la luz durante más de 5 minutos.**

## Solución de atascos (cont.)

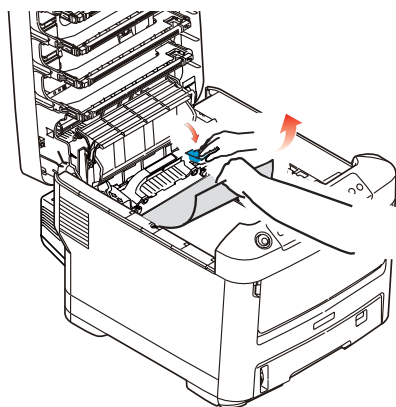
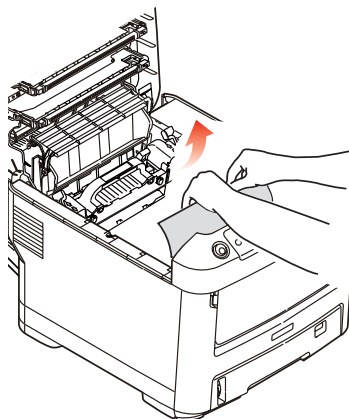
3. Saque los cilindros de imagen/cartuchos de tóner. Coloque el cartucho del cilindro/tóner sobre una superficie plana.



4. Cúbralos para protegerlos de la luz.

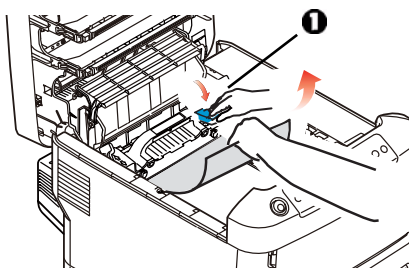


5. Con gran cuidado retire las hojas atascadas.



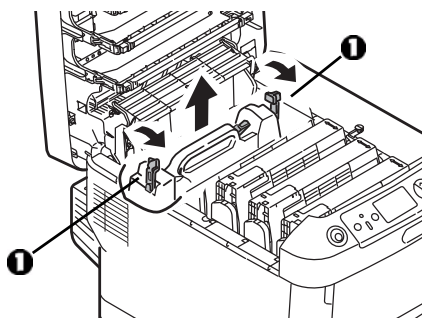
## Solución de atascos (cont.)

6. Para retirar una hoja que apenas está entrando por el fusor, separe el borde entrante de la hoja donde hace contacto con la correa, hale la palanca de liberación de presión del fusor (1) hacia adelante y retire la hoja. Luego vuelva a colocar la palanca en su lugar.

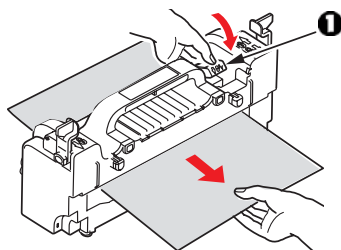


7. Si la hoja ya ha avanzado bastante por el fusor:

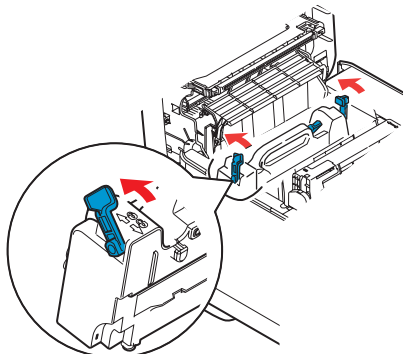
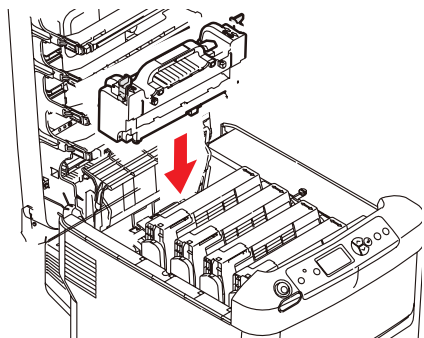
- a. Empuje las dos palancas de sujeción (1) hacia la parte delantera de la impresora para soltar el fusor. Retire la unidad del fusor utilizando la agarradera.



- b. Presione la palanca de liberación (1) y saque la hoja atascada del fusor.

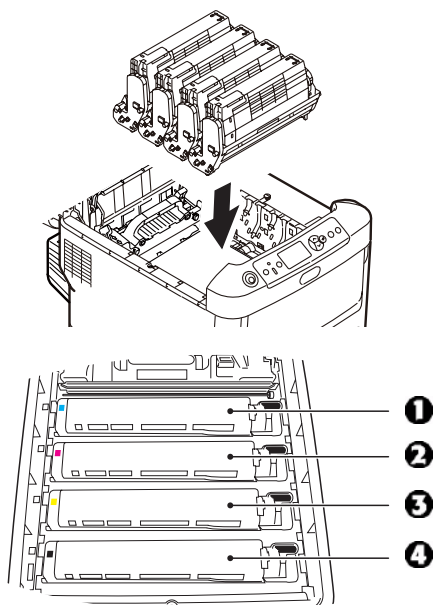


- c. Vuelva a instalar la unidad del fusor y presione las palancas de cierre hacia la parte posterior de la impresora.



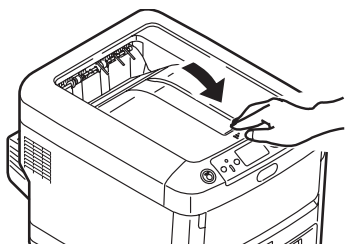
## Solución de atascos (cont.)

8. Vuelva a colocar los cartuchos del cilindro/tóner de formación de imagen dentro de la impresora, teniendo cuidado de colocarlos en la posición correcta de acuerdo a los colores guía.

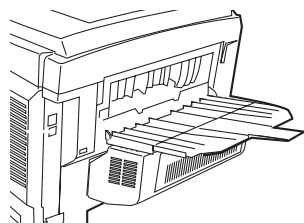


1 = Cyan 3 = Amarillo  
2 = Magenta 4 = Negro

9. Baje la tapa de la impresora para proteger los cilindros de imagen de la luz, pero *no la tranque*.

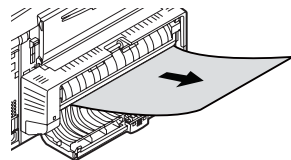
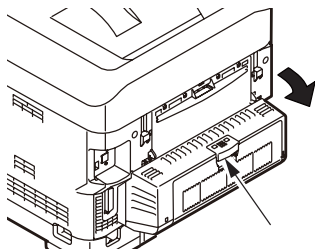


10. Abra la bandeja de salida posterior y saque las hojas que se encuentren en esta área.

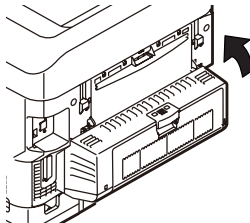


**Si su impresora cuenta con una unidad dúplex:**

Presione el mecanismo de liberación y abra la cubierta. Retire el papel.

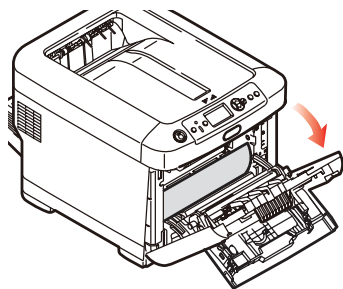


Cierre la tapa.

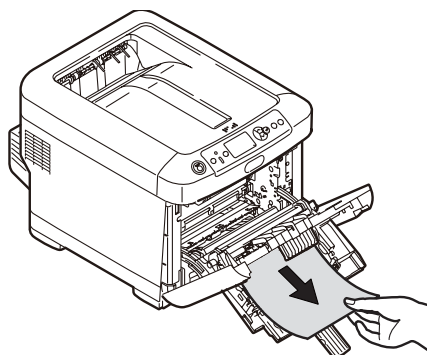


## Solución de atascos (cont.)

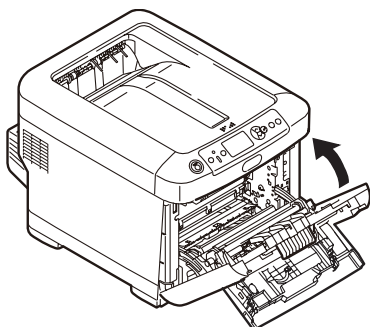
11. Levante el mecanismo de liberación y abra la tapa delantera



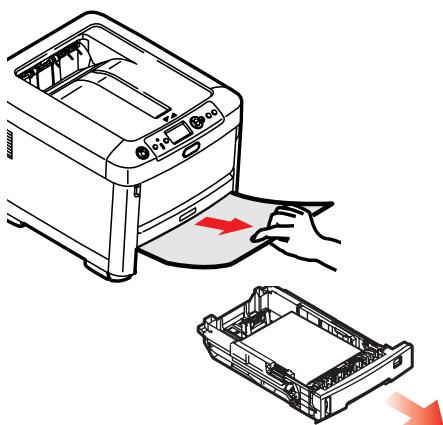
12. Retire las hojas atascadas



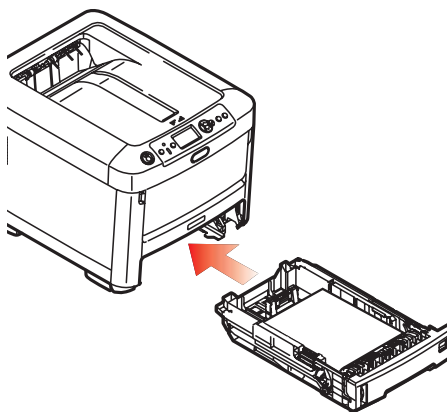
13. Cierre la tapa delantera.



14. Saque la bandeja de papel y retire las hojas atascadas.



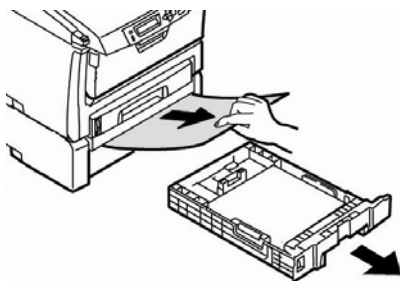
15. Cerrar la bandeja



## Solución de atascos (cont.)

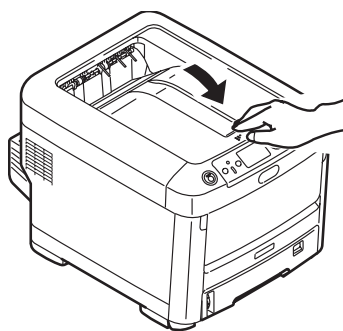
**Si su impresora cuenta con una segunda bandeja de papel:**

Saque la segunda bandeja de papel y retire las hojas atascadas



Cerrar la bandeja.

16. Cierre la cubierta y empújela firmemente hasta que cierre.





---

# Resolución de problemas

---

## El tecla Help (Ayuda)

La impresora incluye una ayuda incorporada.



Cuando el mensaje de error aparece, presione HELP. El panel muestra información que le permite corregir el problema, incluyendo cómo despejar los atascos de papel.

Utilice el tecla **ON LINE** para investigar la información de ayuda.

Para mayor información sobre cómo despejar los atascos de papel, ver "Solución de atascos" en página 57.

---

# Servicio y Soporte

---

## Primero ...

Consulte el almacén donde compró su impresora.

## Otros Recursos Oki

- Visite nuestro sitio Web multilingüe: [WWW.OKIPRINTINGSOLUTIONS.COM](http://WWW.OKIPRINTINGSOLUTIONS.COM), disposición las 24 horas del día, los 7 días de la semana.
- Visite [my.okidata.com](http://my.okidata.com) (Inglés solamente), disposición las 24 horas del día, los 7 días de la semana.
- Estados Unidos: llame al 1-856-222-7496.
- México: llame al (525) 263-8780.

---

Oki es una marca de fábrica registrada de Oki Electric Industry Company, Ltd.

AmEx es una marca de fábrica registrada de American Express Co.

MasterCard es una marca de fábrica registrada de MasterCard International, Inc.

VISA es una marca de fábrica registrada de Visa.

Windows es una marca de fábrica registrada o una marca de fábrica de Microsoft Corporation en los Estados Unidos y en otros países.

## Pedidos de suprimentos de reposição

### Como fazer pedidos

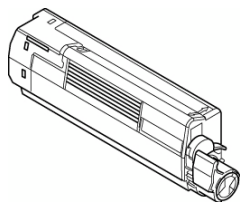
- Consulte o revendedor onde adquiriu a impressora.
- Consulte um representante autorizado de vendas ou assistência técnica da Oki Data. (Para se informar a respeito do revendedor mais próximo, ligue para [5511] 3444-3500.)
- Consulte os catálogos de suprimentos de escritório.

### Números para pedidos

#### Toners, Tipo C15

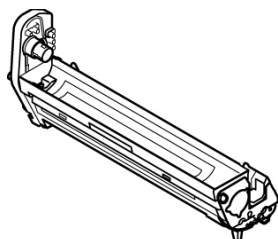
*Importante!*

*Use apenas cartuchos de toner originais Oki.*



Toner	Número de Ordem
Preto	44315304
Ciano	44315303
Magenta	44315302
Amarelo	44315301

#### Cilindros OPC, Tipo C15



Cilindro OPC	Núm. de Ordem
Preto	44315104
Ciano	44315103
Magenta	44315102
Amarelo	44315101

#### Itens de manutenção: unidades fusoras e esteira de transferência

Os itens de manutenção são garantidos contra defeitos por 90 dias. Quando o display da impressora indicar que estão chegando ao fim da vida útil, deve-se comprar um item de reposição.

Item	Númerode Ordem
Fusor, 120V	44289101
Fusor, 230V	44289102
Esteira de transferência	44341901

#### Instalação

Destes itens contém instruções de instalação.

# Uso do menu da impressora

## Navegar

### Nota

As definições do controlador da impressora substituem as definições do menu da impressora.



### Navegar o menu da impressora

1. Pressione a tecla



ENTER

para entrar no modo menu

2. Pressione a tecla



OU



repetidamente para voltar para as Categorias, Itens e Valores.

3. Pressione a tecla



ENTER

para selecionar uma Categoria, Item ou Valor a ser alterado, ou para ativar a nova configuração para um Valor.

4. Pressione a tecla



ON LINE

para sair do modo Menu.

### Por exemplo

Para configurar index cards como o material de impressão padrão na Bandeja M:

1. Pressione a tecla **ENTER**.
2. Pressione a tecla da seta para baixo para acessar a opção **Menu**. Pressione a tecla **ENTER**.
3. Pressione Enter para selecionar **Tray Configuration** (Configuração das bandejas).
4. Pressione a tecla da seta para baixo para acessar a opção **MPTray Config** (Configuração da bandeja multifuncional). Pressione a tecla **ENTER**.
5. Pressione a tecla da seta para baixo para acessar a opção **Media Type** (Tipo de mídia de impressão). Pressione a tecla **ENTER**.
6. Pressione a tecla da seta para baixo para acessar a opção **Card Stock** (Papel cartão). Pressione a tecla **ENTER**.  
*Um asterisco aparecerá ao lado da seleção. A configuração será ativada.*
7. Pressione a tecla **ON LINE**.

# Uso do menu da impressora

## Resumo do menu

### Resumo das categorias do menu

- Ⓞ **Configuration (Configuração)**
  - Tray Count (Número de bandejas)
  - Supplies Life (Vida útil dos suprimentos)
  - Network (Rede)
  - System (Sistema)
- Ⓞ **Print Information (Imprimir informações)**
- Ⓞ **Shutdown Menu (Desligar)**
- Ⓞ **Print Secure Job Menu (Imprimir trabalho confidencial)**
- Ⓞ **Menus**
  - Tray Configuration (Configuração das bandejas)
  - System Adjust (Ajuste do sistema)
- Ⓞ **Admin Setup (Configuração da administração)**

Uso reservado ao administrador do sistema. É preciso ter uma senha para acessar este menu. Se não existir um administrador, a senha padrão é aaaaaa.
- Ⓞ **Calibration (Calibração)**
- Ⓞ **Boot Menu (Inicialização)**
- Ⓞ **Parallel Setup (Configuração de interface paralela)**
- Ⓞ **USB Setup (Configuração USB)**

- Ⓞ **Security Setup (Configuração de segurança)**
- Ⓞ **Storage Setup (Instalação de armazenamento)**
- Ⓞ **Power Setup (Configuração da alimentação)**
- Ⓞ **Language Setup (Configuração do idioma)**
- Ⓞ **Print Statistics (Imprimir estatísticas)**

### Impressão do relatório de configuração

O relatório de configuração é uma lista das configurações atuais dos menus.

1. Pressione a tecla **ENTER**.
2. Pressione a tecla da seta para baixo para selecionar **Print Information (Imprimir informações)**. Pressione a tecla **ENTER**.
3. Pressione **ENTER** para selecionar **Configuration (Configuração)**.
4. Pressione **ENTER** para selecionar **Execute (Executar)**.

*O relatório de configuração será impresso e a impressora voltará a ficar em linha.*

# Config. dos materiais de impressão

*A configuração do material de impressão deve sempre coincidir com o material sendo utilizado.*

Configurações incorretas do material de impressão:

- resultam em impressões de baixa qualidade
- causam desprendimento das partículas de toner
- *podem danificar a impressora*

## Nota

As configurações do driver da impressora substituem as configurações do menu da impressora.

## Configurações padrão

A configuração padrão da gramatura do material de impressão para a bandeja 1 é Leve.

A configuração padrão da gramatura do material de impressão para todas a bandeja MF é Médio.

## Restabelecimento das configurações padrão

### Nota

Uma senha é necessária para acessar esta área do menu da impressora. Se existir um administrador do sistema, só ele pode restabelecer os parâmetros padrão.

1. Pressione a tecla **ENTER**.

2. Pressione a tecla da seta para baixo para acessar a opção **Admin Setup** (Configuração do administrador). Pressione a tecla **ENTER**.
3. Siga as instruções para inserir a senha administrativa (a senha padrão é aaaaaa).
  - a. Pressione a tecla da seta para cima (a a z, 0 a 9) ou a tecla da seta para baixo (9 a 0, z a a) para exibir os vários números e letras do alfabeto.
  - b. Pressione a tecla **ENTER**.
  - c. Repita as etapas a e b acima para cada dígito da senha.
4. Pressione a tecla **ENTER**.
5. Pressione a tecla da seta para baixo para acessar a opção **Settings** (Configurações). Pressione a tecla **ENTER**.
6. Pressione **ENTER** para selecionar **Reset Settings** (Restabelecer configurações).
7. Pressione **ENTER** para selecionar **Execute** (Executar).

*A impressora será reiniciada e voltará a ficar em linha.*

# Config. dos materiais de impressão

## Configurações do material de impressão para trabalhos individuais de impressão

Se for necessário imprimir um trabalho em um material de impressão especial, é possível colocar temporariamente o material em uma bandeja e alterar as configurações do material de impressão para a tal bandeja no driver à medida que o trabalho é impresso.

## Configurações da gramatura da mídia

As configurações da gramatura do material de impressão podem ser feitas no driver da impressora ou no menu da impressora.

- Light (Leve): 16–17 lb. (60–63 g/m<sup>2</sup>)
- Medium Light (Leve médio): 18 lb. (64–74 g/m<sup>2</sup>)
- Medium (Médio): 20–24 lb. (75–89 g/m<sup>2</sup>)
- Medium Heavy (Médio pesado): 24–28 lb. US Bond (90–104 g/m<sup>2</sup>)
- Heavy (Pesado): 28–32 lb. (105–120 g/m<sup>2</sup>)
- Ultra Heavy1 [Muito pesado1] (Bandeja 1): 32–50 lb. (121–188 g/m<sup>2</sup>)
- Ultra Heavy2 (Muito pesado2): 50–59 lb. (189–220 g/m<sup>2</sup>)
- Ultra Heavy3 (Muito pesado3): 59–67 lb. US Bond (221–250 g/m<sup>2</sup>)

# Bandeja 1, Bandejas 2 e 3 Opcional

## Mídia de impressão utilizáveis

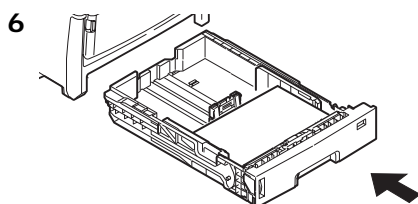
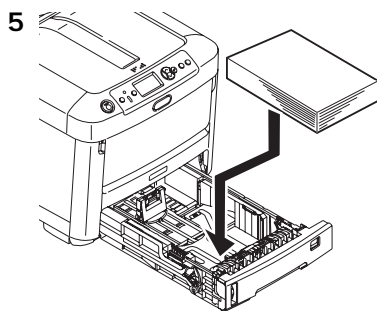
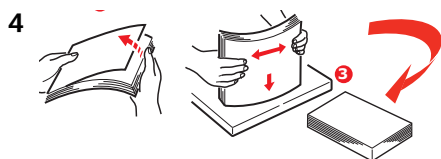
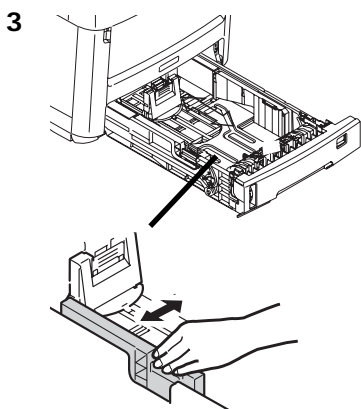
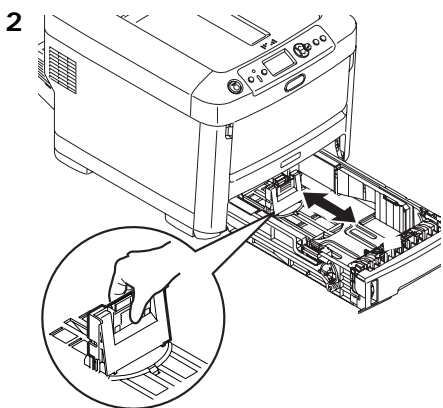
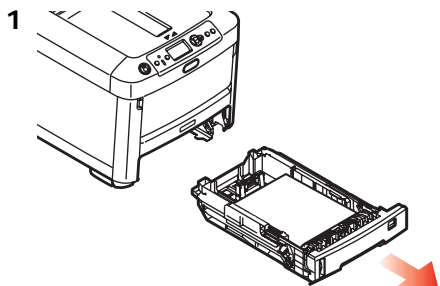
### Especificações da mídia de impressão

<b>Gramatura:</b>	16 a 67 lb. (60 a 250 g/m <sup>2</sup> )
<b>Tamanhos padrão:</b>	Carta, Ofício-14, Ofício-13,5, Ofício-13, Executivo, A4, A5, A6, B5.
<b>Tamanhos personalizados:</b>	<ul style="list-style-type: none"><li>• Mín.: 5.5 x 8.3" (140 x 211 mm)</li><li>• Máx.: 8.5 x 14" (216 x 356 mm)</li></ul> Os tamanhos personalizados devem ser definidos no driver antes da impressão.
<b>Capacidade:</b>	250 folhas de papel de 21-lb. (80 g/m <sup>2</sup> )



# Bandeja 1, Bandejas 2 e 3 Opcional (cont.)

## Colocação do papel



# Bandeja multifuncional

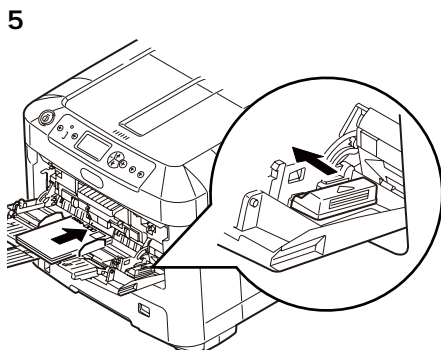
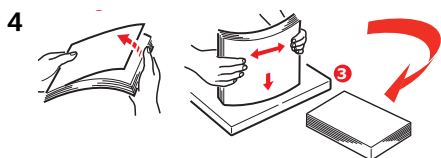
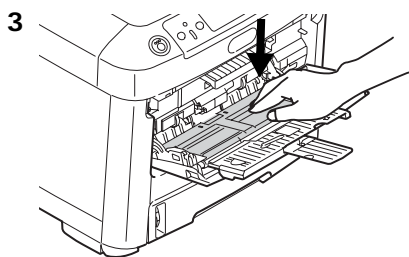
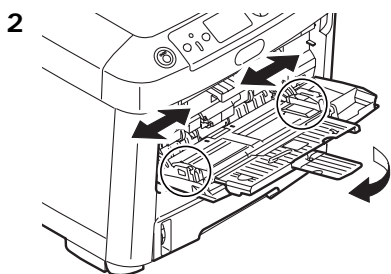
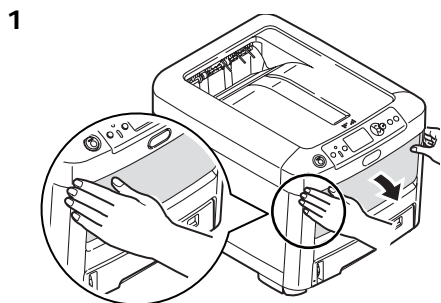
## Mídia de impressão utilizáveis

### Especificações da mídia de impressão

<b>Faixa de gramatura:</b>	16 a 67 lb. (60 a 250 g/m <sup>2</sup> )
<b>Tamanhos padrão:</b>	Carta, Ofício-14, Ofício-13,5, Ofício-13, Executivo, A4, A5, A6, B5 e envelope COM-10
<b>Faixa de tamanho:</b>	Largura: 3" – 8.5" (76 – 216 mm) Comprimento: 5" – 52" (127 – 1320 mm) (Faixas)  Os tamanhos fora do padrão devem ser definidos no driver antes da impressão: consulte o Manual Eletrônico do Usuário.
<b>Capacidade:</b>	<ul style="list-style-type: none"><li>• 100 folhas de papel de 20-lb. (75 g/m<sup>2</sup>)</li><li>• 10 envelopes</li><li>• 20 folhas de etiquetas</li><li>• 50 transparências</li><li>• <i>Faixas</i>, uma folha de cada vez</li></ul>

# Bandeja multifuncional (cont.)

## Colocação do mídia de impressão



### Papel timbrado

- Colocar com a face *para baixo* e a borda superior voltada *para fora* da impressora.

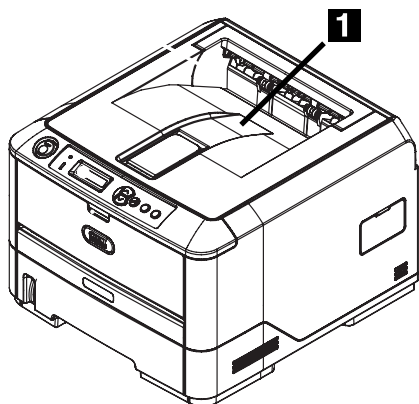
### Envelopes

- Coloque o lado destinado à impressão para cima (orelha para baixo), com a borda superior voltada para foral da impressora.

# Escaninhos de saída

## Escaninho de saída superior (face para baixo)

Este é o escaninho normalmente usado.



- Para papéis de até 50 lb. US Bond (188 g/m<sup>2</sup>).
- Capacidade para até 250 folhas de papel de 21-lb. (80 g/m<sup>2</sup>).
- As páginas são empilhadas com a face impressa para baixo.

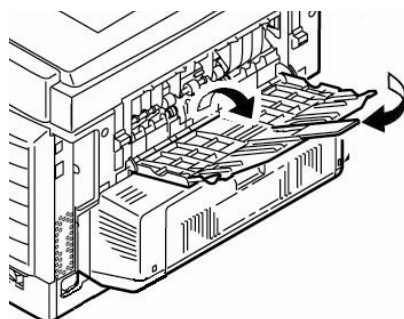
## Escaninho de saída traseiro (face para cima)

- O percurso reto de saída do papel. Utilizar para transparências, envelopes, etiquetas e papel de alta gramatura.
- Capacidade para papéis de 16 a 67 lb. US Bond (60 a 250 g/m<sup>2</sup>).
- Capacidade para até 100 folhas de papel de 21-lb. (80 g/m<sup>2</sup>).
- O papel é impresso com a face para cima (para documentos com várias páginas, selecione a impressão em ordem reversa na caixa de diálogo Imprimir do aplicativo para que as cópias sejam empilhadas na ordem correta).

### Nota

Se o escaninho traseiro estiver aberto, todas as páginas impressas sairão por ele, independentemente da configuração no driver da impressora.

### Para abrir o escaninho de saída traseiro



---

## Economia de energia

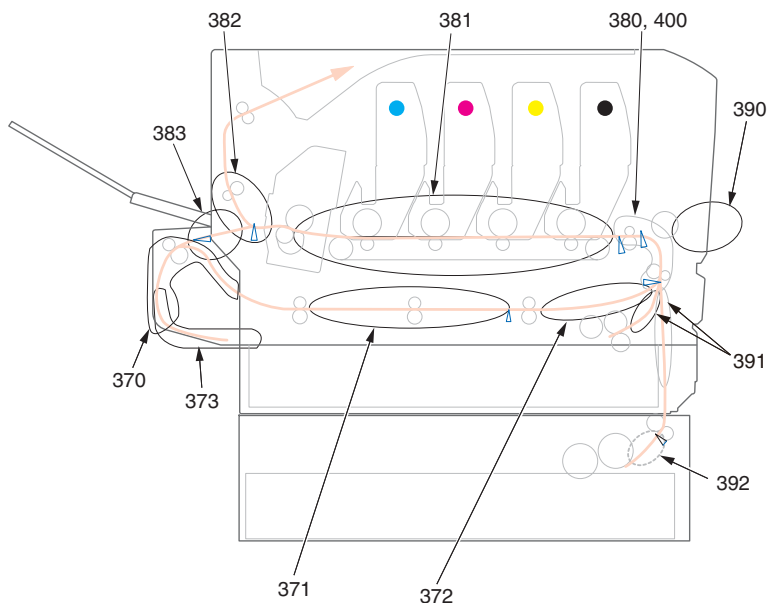
---

O recurso de economia de energia determina quanto tempo a impressora aguardará antes de entrar no modo de espera. O padrão é 1 minuto.

Isso economiza energia, mas a impressora precisará de tempo para aquecer quando receber um trabalho de impressão ou se o usuário desejar acessar o menu e alterar as configurações.

Para obter mais informações, consulte o Manual Eletrônico do Usuário.

# Eliminação de atolamentos de papel



Quando as palavras "Paper jam" (Atolamento de papel) forem exibidas no display, há papel atolado na parte da impressora da unidade.

Pode ser que haja mais de uma folha na impressora, dependendo do local onde o papel está atolado.

*Se uma folha for removida e outras folhas continuarem na impressora, a mensagem inicial desaparecerá temporariamente e, em seguida, "Paper Jam" (Atolamento de papel) aparecerá novamente.*

## Mensagens de erro: Atolamentos de papel

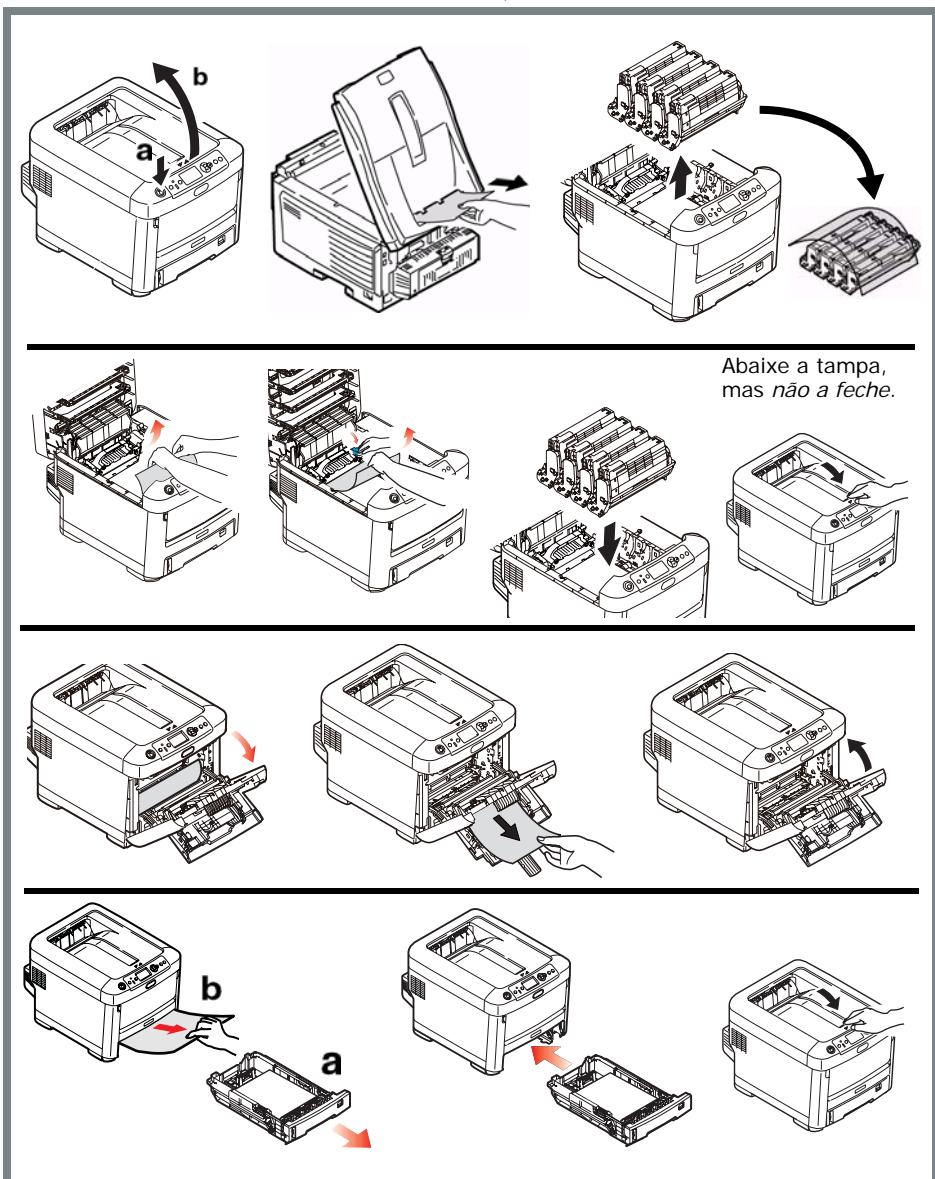
Número do erro	Localização	Número do erro	Localização
370	Unidade duplex <sup>1</sup>	382	Saída do papel
371	Unidade duplex*	383	Unidade duplex*
372	Unidade duplex*	390	Bandeja MF
373	Unidade duplex*	391	Bandeja 1
380	Alimentação do papel	392	Segunda bandeja <sup>*</sup>
381	Percurso do Papel	400	Tamanho do papel

<sup>1</sup> Aplica-se apenas se o esta opção estiver instalado.

## Eliminação de atolamentos de papel (cont.)

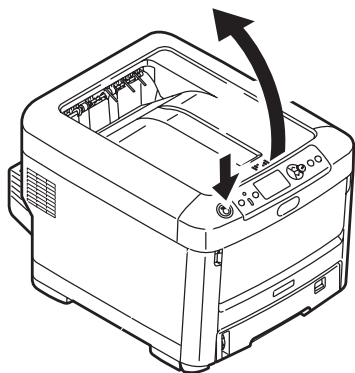
O quadro abaixo apresenta um resumo dos processos básicos para eliminar atolamentos.

Para obter mais detalhes, consulte as próximas páginas.

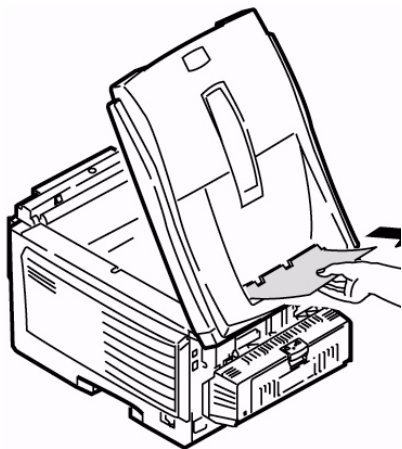


## Eliminação de atolamentos de papel (cont.)

1. Abra a tampa superior.



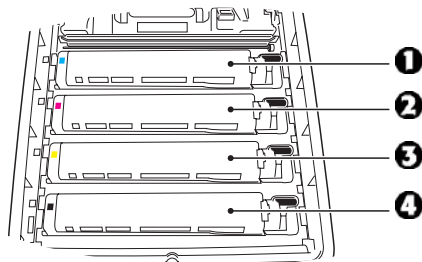
2. Se um pedaço considerável da folha de papel estiver para fora da impressora, basta segurar a folha e puxá-la com cuidado para retirá-la totalmente.



### Atenção

**A unidade de fusão pode estar quente! Esta área está bem identificada. Não toque nesta área.**

Nota a posição de cada um dos diversos cartuchos de toner coloridos..



- 1 = Ciano
- 2 = Magenta
- 3 = Amarelo
- 4 = Preto

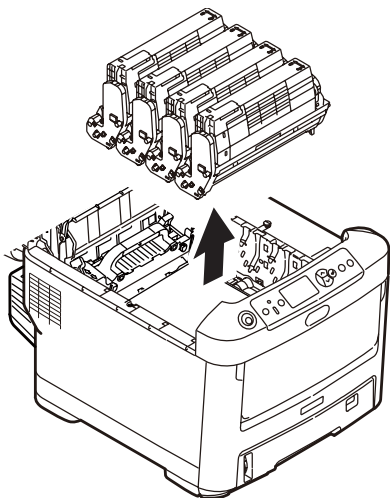
### Atenção!

**Não toque na superfície verde brilhante do cilindro. Não exponha os cilindros à luz por mais de cinco minutos.**

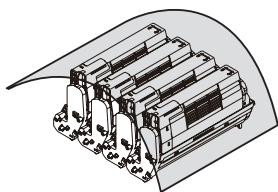


## Eliminação de atolamentos de papel (cont.)

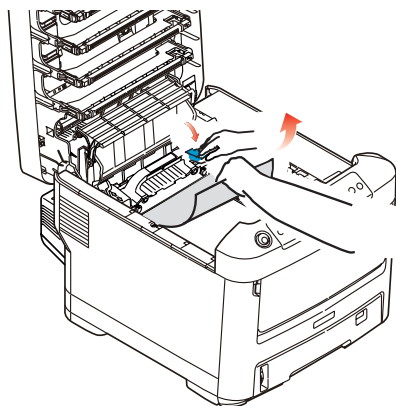
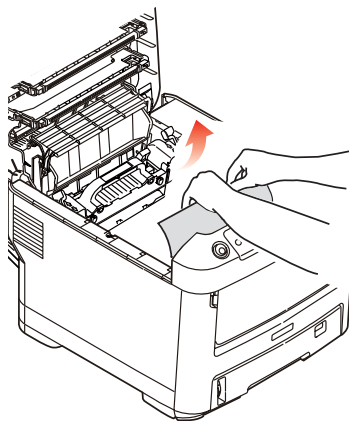
3. Retire todos os quatro cilindros OPC/cartuchos de toner da impressora e coloque-os em uma superfície plana.



4. Cubra as unidades do cilindro OPC para protegê-las da luz direta.

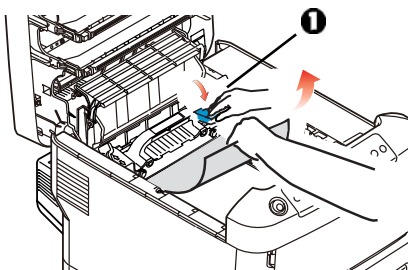


5. Retire com cuidado todas as folhas de papel atoladas.

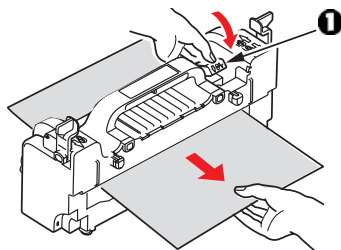


## Eliminação de atolamentos de papel (cont.)

6. Se a folha estiver presa no fusor, puxe a alavanca da unidade fusora em sua direção. Retire a folha de papel da unidade.

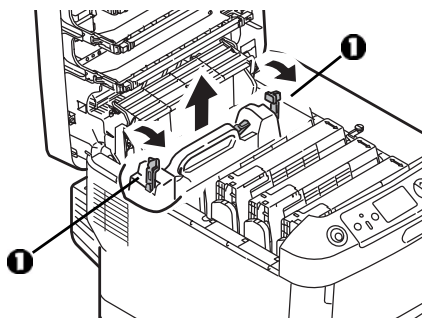


- b. Pressione a alavanca de liberação (1) e puxe o papel que está preso na unidade fusora.

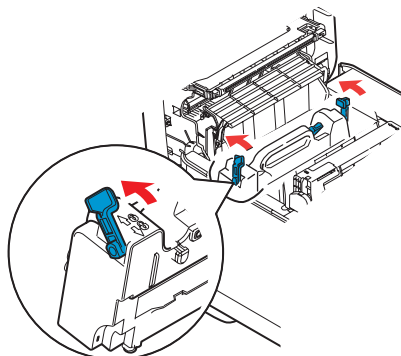
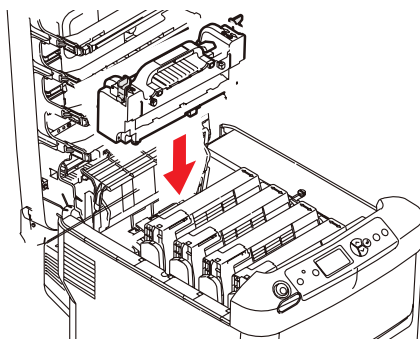


7. Se a folha estiver muito inserida na unidade fusora:

- a. Empurre as duas alavancas de retenção (1) no sentido da frente da impressora para soltar a unidade fusora. Retire a unidade fusora usando o pegador.

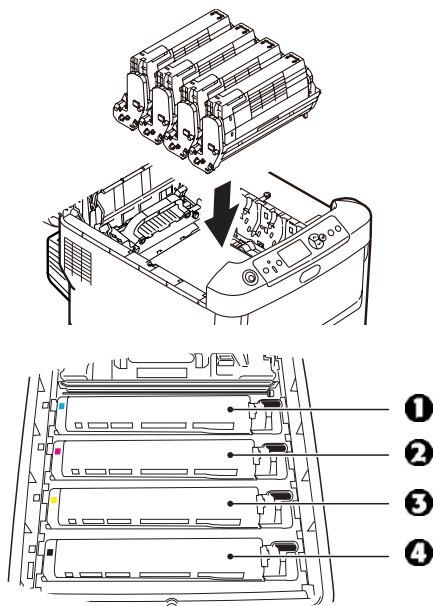


- b. Desloque a unidade fusora e empurre as alavancas de retenção no sentido da parte traseira da impressora.



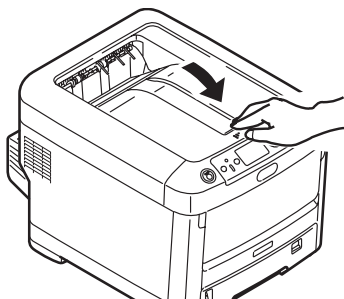
## Eliminação de atolamentos de papel (cont.)

8. Coloque os quatro cilindros OPC/cartuchos de toner de volta na impressora, tomando cuidado para colocá-los na sequência correta.

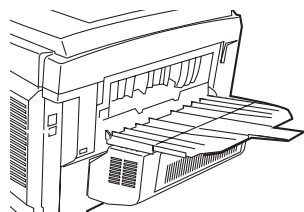


1 = Ciano  
2 = Magenta  
3 = Amarelo  
4 = Preto

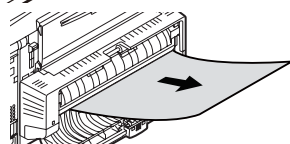
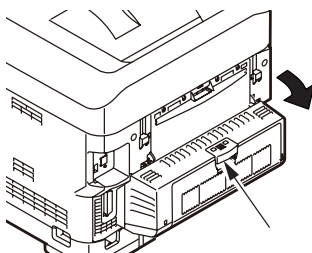
9. Abaixe a tampa da impressora para proteger os cilindros OPC da luz, mas *não a feche*.



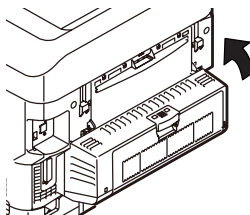
10. Abra o escaninho de saída traseiro e retire todas as folhas que estiverem nesta área.



**Apenas nas impressoras equipadas com duplex opcional:**  
Pressione o botão de abertura e abra a tampa. Retire todas as folhas desta área.

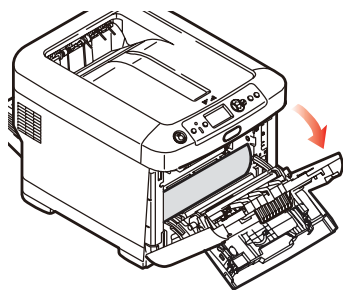


Feche a tampa.

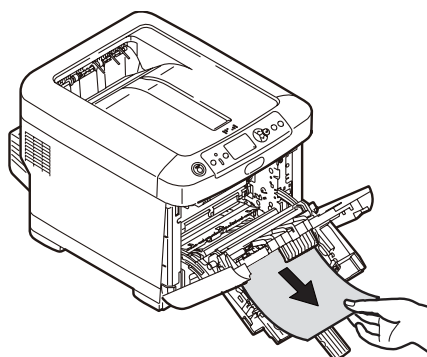


## Eliminação de atolamentos de papel (cont.)

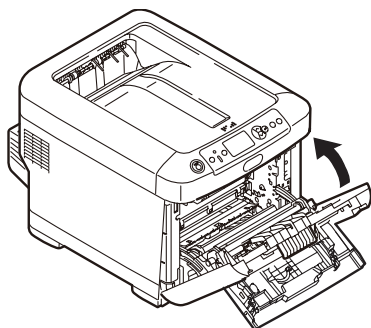
11. Levante a alavanca de liberação e abra a tampa frontal.



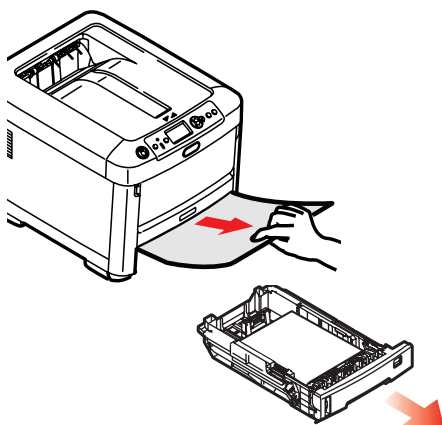
12. Remova todo o papel atolado.



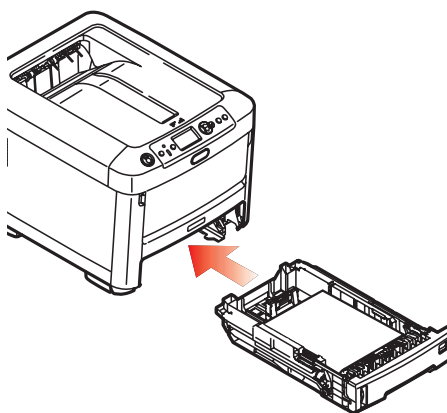
13. Feche a tampa frontal.



14. Puxe a bandeja para papel para fora e retire todo o papel atolado



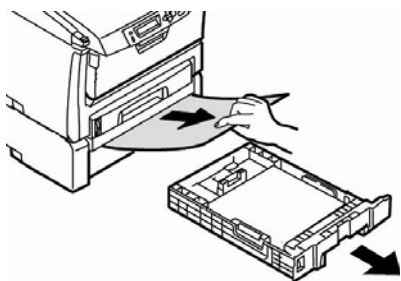
15. Feche a bandeja



## Eliminação de atolamentos de papel (cont.)

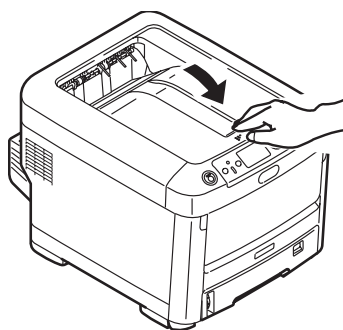
**Apenas nas impressoras equipadas com segunda bandeja para papel opcional :**

Puxe a segunda bandeja para papel para fora. Retire todas as folhas desta área.



Feche a bandeja.

16. Feche a tampa e pressione-a para baixo para travá-la.



---

# Resolução de problemas

---

## La tecla Help (Ajuda)

A impressora possui um sistema de Ajuda.



Quando uma mensagem de erro for exibida, pressione HELP. O visor mostra informações que ajudarão a corrigir o erro, inclusive a eliminação de atolamentos de pape.

Use a tecla **ON LINE** para acessar mais informações da Ajuda.

Para obter mais informações sobre a eliminação de atolamentos de papel, consulte "Eliminação de atolamentos de papel" a página 78.

---

# Assistência técnica e suporte

---

## Primeiro ...

Consulte a loja onde adquiriu a impressora.

## Outros recursos da Oki

- Visite nosso site multilíngüe na Web: [WWW.OKIPRINTINGSOLUTIONS.COM](http://WWW.OKIPRINTINGSOLUTIONS.COM), 24 horas por dia, 7 dias por semana.
- Visite [my.okidata.com](http://my.okidata.com) (somente em inglês), 24 horas por dia, 7 dias por semana.
- Ligue para 55-11-3444-6747.
- e-mail: [okidata@okidata.com.br](mailto:okidata@okidata.com.br).

---

OKI é uma marca registrada da Oki Electric Industry Company, Ltd.

Windows é uma marca registrada ou marca comercial da Microsoft Corporation nos Estados Unidos e em outros países.