



User's Guide

C5750
C5950



PREFACE

Every effort has been made to ensure that the information in this document is complete, accurate, and up-to-date. The manufacturer assumes no responsibility for the results of errors beyond its control. The manufacturer also cannot guarantee that changes in software and equipment made by other manufacturers and referred to in this guide will not affect the applicability of the information in it. Mention of software products manufactured by other companies does not necessarily constitute endorsement by the manufacturer.

While all reasonable efforts have been made to make this document as accurate and helpful as possible, we make no warranty of any kind, expressed or implied, as to the accuracy or completeness of the information contained herein.

The most up-to-date drivers and manuals are available from the Oki Europe website:

<http://www.okiprintingsolutions.com>

Copyright © 2007. All rights reserved.

Oki and Microline are registered trademarks of Oki Electric Industry Company, Ltd.

Energy Star is a trademark of the United States Environmental Protection Agency.

Hewlett-Packard, HP, and LaserJet are registered trademarks of Hewlett-Packard Company.

Microsoft, MS-DOS and Windows are registered trademarks of Microsoft Corporation.

Apple, Macintosh, Mac and Mac OS are registered trademarks of Apple Computer.

Other product names and brand names are registered trademarks or trademarks of their proprietors.



As an Energy Star Program Participant, the manufacturer has determined that this product meets the Energy Star guidelines for energy efficiency.



This product complies with the requirements of the Council Directives 2004/108/EC (EMC) and 2006/95/EC (LVD) and 1999/5/EC (R&TTE), as amended where applicable on the approximation of the laws of the member states relating to Electromagnetic Compatibility, Low Voltage and Radio and Telecommunications Terminal Equipment..

Please note that Microsoft Windows XP was used to produce all screenshots in this manual. These screenshots may vary if you are using any other operating system, but the principle is the same.

EMERGENCY FIRST AID



Take care with toner powder:

If swallowed, induce vomiting and seek medical attention. Never attempt to induce vomiting if person is unconscious.

If inhaled, move the person to an open area for fresh air. Seek medical attention.

If it gets into the eyes, flush with large amounts of water for at least 15 minutes keeping eyelids open. Seek medical attention.

Spillages should be treated with cold water and soap to help reduce risk of staining skin or clothing.

MANUFACTURER

Oki Data Corporation,
4-11-22 Shibaura, Minato-ku,
Tokyo 108-8551, Japan

IMPORTER TO THE EU/AUTHORISED REPRESENTATIVE

Oki Europe Limited (trading as OKI Printing Solutions)

Central House
Balfour Road
Hounslow
TW3 1HY
United Kingdom

For all sales, support and general enquiries contact your local distributor

ENVIRONMENTAL INFORMATION



CONTENTS

Preface	2
Emergency First Aid	3
Manufacturer	3
Importer to the EU/Authorised Representative	3
Environmental information	3
Contents	4
Notes, Cautions and Warnings	6
Introduction	7
Printer overview	9
Changing the display language	11
Paper recommendations	12
Cassette trays	13
Multi purpose tray	13
Face down stacker	14
Face up stacker	14
Duplex unit	14
Loading paper	15
Cassette trays	15
Operation	20
Using the machine	20
Menu functions	21
Operator Panel:	21
How to change the settings - User	22
How to change the settings - Administrator	23
Menus	24
Replacing consumable items	55
Toner:	55
Image drum:	55
Transfer belt:	55
Fuser:	55
Consumable order details	56
Toner cartridge replacement	57
Image drum replacement	62
Replacing the belt unit	66
Fuser replacement	69
Cleaning the LED head	71

Installing upgrades	72
Duplex unit	72
Memory upgrade	74
Hard disk drive	78
Additional paper tray	80
Adjusting Windows printer drivers	81
Storage Cabinet	81
Clearing paper jams	82
Specifications	91
Factory Default Settings	94
Index	102
Oki contact details	104

NOTES, CAUTIONS AND WARNINGS

NOTE:

A note appears in this manual like this. A note provides additional information to supplement the main text which may help you to use and understand the product.

CAUTION!

A caution appears in this manual like this. A caution provides additional information which, if ignored, may result in equipment malfunction or damage.

WARNING!

A warning appears in this manual like this. A warning provides additional information which, if ignored, may result in a risk of personal injury.

INTRODUCTION

Congratulations on buying this Oki Printing Solutions colour printer. Your new printer is designed with advanced features to give you clear, vibrant colour prints and crisp black and white pages at high speed on a range of print media for the office.

Your printer includes these features:

- > ProQ2400, multi-level technology produces subtler tones and smoother gradations of colour to lend photographic quality to your documents;
- > Up to 22 (C5750) or 26 (C5950) pages per minute in full colour for fast printing of high impact colour presentations and other documents;
- > Up to 32 pages per minute in black and white for fast and efficient printing of all general purpose documents not requiring colour;
- > 600 x 600, 1200 x 600 dpi (dots per inch) and ProQ2400 print resolution for high quality image production showing the finest detail;
- > Single Pass colour Digital LED technology for high speed processing of your printed pages;
- > Profile Assistant utility allows you to download ICC profiles to the hard disc (Hard Disc Drive required);
- > PostScript 3, PCL 5C, PCL 6 and Epson FX emulations for industry standard operation and wide compatibility with most computer software;
- > 10Base-T and 100Base-TX network connection lets you share this valuable resource among users on your office network;
- > Photo Enhance mode to improve printouts of photographic images (Windows PCL driver only);
- > "Ask Oki" – a user-friendly function for Windows that provides a direct link from your printer driver screen to a dedicated web site specific to the exact model you are using. This is where you'll find all the advice, assistance and support you could need to help you get the best possible results from your Oki printer;

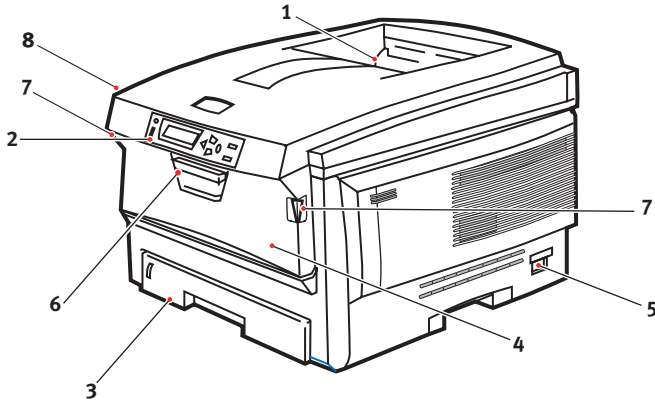
- > "WebPrint Internet Explorer plugin" - another function for Windows that enables you to print web pages properly;
- > Template Manager 2007 utility for Windows enables the design and print of Business cards, banners, labels with ease.

Additionally, the following optional features are also available:

- > Automatic two-sided (duplex) printing for economical use of paper and compact printing of larger documents (standard on dn models);
- > Additional paper tray for loading a further 530 sheets to minimise operator intervention, or different paper stocks for letterhead stationery, alternative paper sizes or other print media;
- > Additional memory allows printing of more complex pages. For example, high resolution banner printing;
- > Internal hard disk drive for storage of overlays, macros and downloadable fonts, and automatic collation of multiple copies of multipage documents and the download of ICC Profiles;
- > Storage Cabinet.

PRINTER OVERVIEW

FRONT VIEW

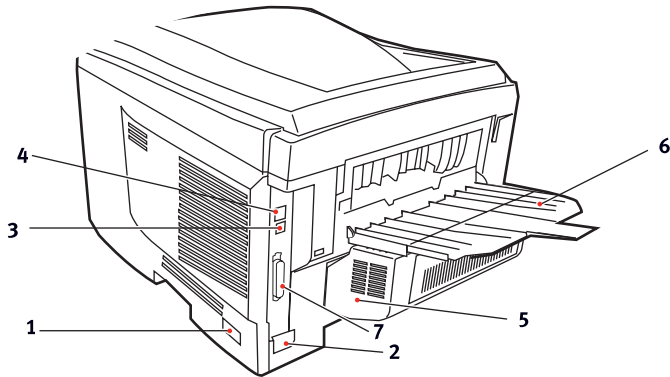


<p>1. Output stacker, face down. Standard printed copy delivery point. Holds up to 250 sheets at 80g/m².</p> <p>2. Operator panel. Menu driven operator controls and LCD display panel.</p> <p>3. Paper tray. Standard blank paper tray. Holds up to 300 sheets of 80g/m² paper.</p>	<p>4. Multi purpose tray (80g/m²). Used for feeding heavier paper stocks, envelopes and other special media. Also for manual feeding of single sheets when required.</p> <p>5. ON/OFF switch.</p> <p>6. Front cover release lever.</p> <p>7. Multi-purpose tray release lever</p> <p>8. Top cover release button.</p>
--	--

The LCD display language can be changed to show different languages. (see ["Changing the display language" on page 11](#)).

REAR VIEW

This view shows the connection panel, the rear output stacker and the location of the optional duplex (two-sided printing) unit.



1. ON/OFF switch.	4. Network interface.*
2. AC power socket.	5. Duplex unit (when fitted).
3. USB interface.	6. Rear, face up, 100 sheet stacker.
	7. Parallel interface

* The Network Interface has a protective "plug" which must be removed before connection can be made.

When the rear paper stacker is folded down paper exits the printer through the rear of the printer and is stacked here face up. This is mainly used for heavy print media. When used in conjunction with the multi purpose feed tray, the paper path through the printer is essentially straight. This avoids bending the paper around curves in the paper path and enables feeding of up to 203g/m² media.

CHANGING THE DISPLAY LANGUAGE

The default language used by your printer for display messages and for report printing is English. If required, this can be changed to:

German	Danish
French	Dutch
Italian	Turkish
Spanish	Portuguese
Swedish	Polish
Russian	Greek
Finnish	Czech
Hungarian	Norwegian

NOTE:

- 1. The list above is neither conclusive nor exhaustive.*
 - 2. See the information enclosed with the product (Operator Panel Language Set-up utility) on the procedure for changing the language setting.*
-

PAPER RECOMMENDATIONS

Your printer will handle a variety of print media, including a range of paper weights and sizes, transparencies and envelopes. This section provides general advice on choice of media, and explains how to use each type.

The best performance will be obtained when using standard 75~90g/m² paper designed for use in copiers and laser printers. Suitable types are:

- > Arjo Wiggins Conqueror Colour Solutions 90g/m²;
- > Colour Copy by Neusiedler.

Use of heavily embossed or very rough textured paper is not recommended.

Pre-printed stationery can be used, but the ink must not offset when exposed to the high fuser temperatures used in the printing process.

Envelopes should be free from twist, curl or other deformations. They should also be of the rectangular flap type, with glue that remains intact when subjected to hot roll pressure fusing used in this type of printer. Window envelopes are not suitable.

Transparencies should be of the type designed for use in copiers and laser printers. We strongly recommend Oki Printing Solutions transparencies (Order No. 01074101). In particular, avoid office transparencies designed for use by hand with marker pens. These will melt in the fuser and cause damage.

Labels should also be of the type recommended for use in copiers and laser printers, in which the base carrier page is entirely covered by labels. Other types of label stock may damage the printer due to the labels peeling off during the printing process.

CASSETTE TRAYS

SIZE	DIMENSIONS	WEIGHT (G/M ²)	
A6 (Tray 1 only)	105 x 148mm		
A5	148 x 210mm		
B5	182 x 257mm	Light	64-74g/m ²
Executive	184.2 x 266.7mm	Medium	75-104g/m ²
A4	210 x 297mm	Heavy	105-120g/m ²
Letter	215.9 x 279.4mm	Ultra heavy	121-203g/m ²
Legal 13in.	216 x 330mm	(Tray 2/MPT only)	
Legal 13.5in.	216 x 343mm		
Legal 14in.	216 x 356mm		

If you have identical paper stock loaded in another tray (2nd tray if you have one, or multi purpose tray) you can have the printer automatically switch to the other tray when the current tray runs out of paper. When printing from Windows applications, this function is enabled in the driver settings. (See "Printer Settings in Windows" later in this guide.) When printing from other systems, this function is enabled in the Print Menu. (See "Menu Functions" later in this guide.)

MULTI PURPOSE TRAY

The multi purpose tray can handle the same sizes as the cassette trays but in weights up to 203g/m². For very heavy paper stock use the face up (rear) paper stacker. This ensures that the paper path through the printer is almost straight.

The multi purpose tray can feed paper widths as small as 100mm and lengths up to 1200mm (banner printing).

For paper lengths exceeding 356mm (Legal 14in.) use paper stock between 90g/m² and 128g/m² and the face up (rear) paper stacker.

Use the multi purpose tray for printing on envelopes and transparencies. Up to 50 sheets of transparencies or 10 envelopes can be loaded at one time, subject to a maximum stacking depth of 10mm.

Paper or transparencies should be loaded print side up and top edge into the printer. Do not use the duplex (two-sided printing) function.

FACE DOWN STACKER

The face down stacker on the top of the printer can hold up to 250 sheets of 80g/m² standard paper, and can handle paper stocks up to 176g/m². Pages printed in reading order (page 1 first) will be sorted in reading order (last page on top, facing down).

FACE UP STACKER

The face up stacker at the rear of the printer should be opened and the tray extension pulled out when required for use. In this condition paper will exit via this path, regardless of driver settings.

The face up stacker can hold up to 100 sheets of 80g/m² standard paper, and can handle stocks up to 203g/m².

Always use this stacker and the multi purpose feeder for paper stocks heavier than 176g/m².

DUPLEX UNIT

This option provides automatic two-sided printing on the same range of paper sizes as tray 2 (i.e. all cassette sizes except A6), using paper stocks from 75-105g/m².

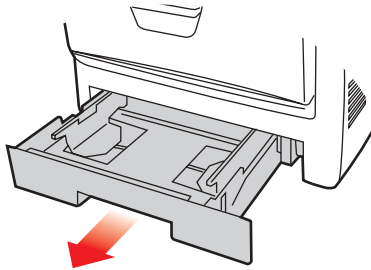
NOTE

The duplex unit comes as standard with dn models.

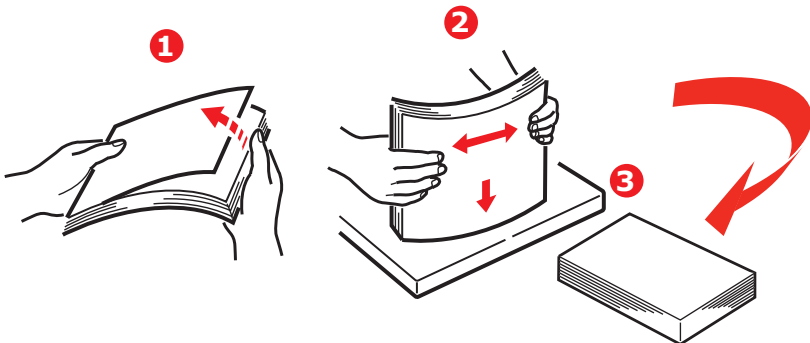
LOADING PAPER

CASSETTE TRAYS

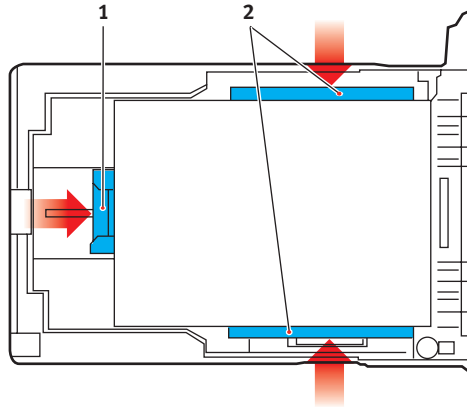
1. Remove the paper tray from the printer.



2. Fan the paper to be loaded at the edges (1) and in the middle (2) to ensure that all sheets are properly separated, then tap the edges of the stack on a flat surface to make it flush again (3).



- 3.** Load letter headed paper face down and top edge towards the front of the printer, as shown.

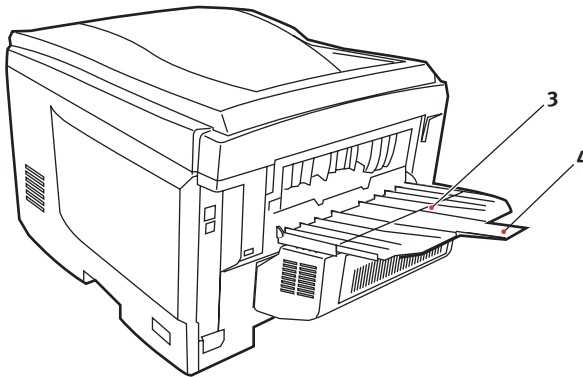


- 4.** Adjust the rear stopper (1) and paper guides (2) to the size of paper being used.

To prevent paper jams:

- > Do not leave space between the paper and the guides and rear stopper.
 - > Do not overfill the paper tray. Capacity depends on the type of paper stock.
 - > Do not load damaged paper.
 - > Do not load paper of different sizes or types at the same time.
 - > Do not pull the paper tray out during printing (except as described below for the 2nd tray).
 - > Close the paper tray gently.
- 5.** If you have two trays and you are printing from the 1st (upper) tray, you can pull out the 2nd (lower) tray during printing to reload it. However, if printing from the 2nd (lower) tray, do not pull out the 1st (upper) tray. This will cause a paper jam.

6. For face down printing, make sure the face up (rear) stacker (3) is closed (the paper exits from the top of the printer). Stacking capacity is approximately 250 sheets, depending on paper weight.
7. For face up printing, make sure the face up (rear) stacker (3) is open and the paper support (4) is extended. Paper is stacked in reverse order and tray capacity is approximately 100 sheets, depending on paper weight.
8. Always use the face up (rear) stacker for heavy paper (card stock etc.).

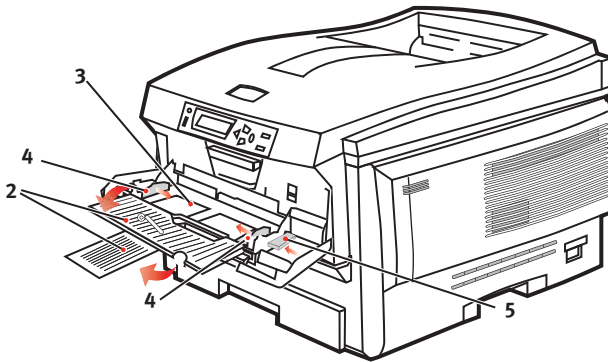
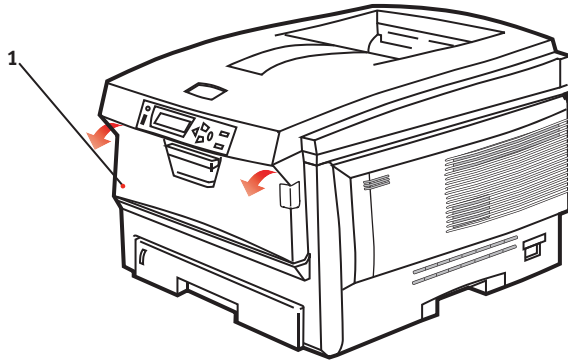


CAUTION!

Do not open or close the rear paper exit while printing as it may result in a paper jam.

MULTI PURPOSE TRAY

1. Open the multi purpose tray (1).
2. Fold out the paper supports (2).



3. Press gently down on the paper platform (3) to ensure it is latched down.
4. Load the paper and adjust the paper guides (4) to the size of paper being used.
 - > For single-sided printing on headed paper load the paper into the multi purpose tray with pre-printed side up and top edge into the printer.

- > For two-sided (duplex) printing on headed paper load the paper with pre-printed side down and top edge away from the printer. (Optional duplex unit must be installed for this function.)
 - > Envelopes should be loaded face up with top edge to the left and short edge into the printer. Do not select duplex printing on envelopes.
 - > Do not exceed the paper capacity of about 50 sheets or 10 envelopes. Maximum stacking depth is 10mm.
- 5.** Press the tray latch button (5) inwards to release the paper platform, so that the paper is lifted and gripped in place.

Set the correct paper size for the multi purpose tray in the Media Menu (see "Menu Functions").

OPERATION

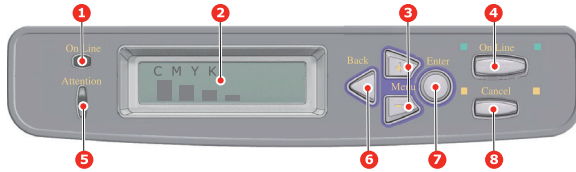
USING THE MACHINE

- > For full details of how to use the machine and any optional accessories to print jobs efficiently and effectively, please refer to the Printing Guide and the Barcode Guide.
- > For full details of how to access and use the printer security features, please refer to the Security Guide.

MENU FUNCTIONS

This section lists the menus accessed via the controls on the printer's operator panel and displayed in the LCD window.

OPERATOR PANEL:



1.ONLINE LED	ON: Ready to receive data. BLINKING: Processing data. OFF: Offline.	2.DISPLAY	Displays the printer status and any error messages.
3.MENU Buttons (+/-)	Enters the Menu mode. In Menu mode, forwards or reverses the menu item displayed. Press for 2 secs. or longer to fast forward or reverse.	4.ONLINE Button	Switches between ONLINE and OFFLINE. Exits the menu and goes ONLINE when pressed in the Menu mode. Forces printing on the paper currently loaded when pressed with "WRONG PAPER" or "WRONG PAPER SIZE" displayed.
5.ATTENTION LED	ON: A warning occurs. Printing is possible (e.g low toner). BLINKING: An error occurs. Printing not possible (e.g. toner empty). OFF: Normal condition.	6.BACK Button	Returns to the previous higher level menu item.
7.ENTER Button	In the ONLINE or OFFLINE mode: enters the Menu mode. In the Menu mode: determines the setting selected.	8.CANCEL Button	Deletes the data being printed or received when pressed for two seconds or longer. Deletes the data when pressed for two seconds or longer with WRONG PAPER SIZE, RUN OUT OF PAPER, TRAY 1 IS OPEN, or TRAY 1 IS NOT FOUND is displayed. Exits the menu and goes ONLINE when pressed in the Menu mode.

HOW TO CHANGE THE SETTINGS - USER

It should be noted that many of these settings can be, and often are, overridden by settings in the Windows printer drivers. However, several of the driver settings can be left at "Printer Setting", which will then default to the settings entered in these printer menus.

Where applicable, factory default settings are shown in bold type in the following tables.

In the normal operating condition, known as "standby," the printer's LCD window will show "ONLINE." In this condition, to enter the menu system, press the +/- keys on the operator panel to move up and down through the list of menus until the menu you wish to view is displayed. Then proceed as follows:

1. Press **ENTER** to enter the menu.
2. Use the +/- buttons to move up and down through the items in the menu. When the item you want to change is displayed, press **ENTER** to view the sub-menus for that item.
3. Use the +/- buttons to move up and down through the sub-menu items. When the item you want to change is displayed press **ENTER** to display the setting.
4. Use the +/- buttons to move up and down through the available settings for the sub-menu item. When the item you want to change is displayed press **ENTER** to display the setting. An asterisk (*) will appear next to the setting, indicating that this setting is currently in effect.
5. Do one of the following:
 - > Press **BACK** again to move up to the list of menus;
 - or...
 - > Press **ON LINE** or **CANCEL** to exit from the menu system and return to standby.

HOW TO CHANGE THE SETTINGS - ADMINISTRATOR

You can set whether to ENABLE or DISABLE each category in the user menu.

Disabled categories are not displayed in the User's menu. Only a system administrator can change these settings.

1. Turn **OFF** the printer.
2. Turn **ON** the printer while pressing the **ENTER** button.
When **ADMIN MENU** appears, take your finger off the button.
3. Press the **ENTER** button.
4. When **ENTER PASSWORD** appears, press the **MENU+** or **MENU-** button several times to display the 1st line of the password and then press the **ENTER** button.
5. Enter your 4- to 9-digit password.
The default password is aaaaaa.
6. Press the **MENU+** button until the "category" you want to change is displayed.
7. When it is, press the **ENTER** button.
8. Press the **MENU+** button or **MENU-** button until the "item" you want to change is displayed.
9. When it is, press the **ENTER** button.
Initialization of the flash memory prompts with the message **ARE YOU SURE?**. Confirm whether the change may be executed or not.
10. To execute it, press the **MENU+** button or **MENU-** button to display **YES** and then press the **ENTER** button. The printer automatically reboots.
11. When **PLEASE POW OFF/SHUTDOWN COMP** is displayed, turn the printer **OFF/ON**
12. Press the **MENU+** button or **MENU-** until the "setting" you want is displayed.)
13. Press the **ENTER** button to enter an asterix (*) on the right side of the setting selected.
14. Press the **ONLINE** button to switch to **ONLINE**.

MENUS

PRINT JOBS MENU

This menu only appears when the hard disk drive is installed. It is used for printing documents stored on the internal hard disk. These will be stored using either the secure printing feature or the proof and print feature. Please refer to these features in the Printing Guide for instructions on how to use them.

You will be prompted for your password or personal identification number (PIN). The +/- keys are used to enter each digit and the **ENTER** key to advance from one digit to the next.

ITEM	ACTION	EXPLANATION
ENCRYPTED JOB	NOT FOUND/ PRINT DELETE	<p>Encrypted Job stored in the HDD.</p> <p>After inputting a password, "SEARCHING JOB" is displayed until a job appropriate to the password is found.</p> <p>(the time taken to search increases in proportion to the number of jobs stored in the HDD.)</p> <p>The search can be cancelled by holding down the CANCEL button.</p> <p>"NOT FOUND" will be displayed where a file is unavailable.</p> <p>One of the following messages will appear if a printable file is available.</p> <p>SECURE JOB PRINT DELETE</p> <p>If PRINT is selected, ALL jobs will be printed.</p> <p>If DELETE is selected, the following message will appear.</p> <p>ARE YOU SURE? YES NO</p> <p>If NO is selected you will return to the source MENU. If YES is selected, ALL jobs will be deleted.</p>

ITEM	ACTION	EXPLANATION
STORED JOB	NOT FOUND/ PRINT DELETE	<p>Used to print out a secure print job stored in the HDD.</p> <p>"NOT FOUND" will be displayed where a file is unavailable.</p> <p>One of the following messages will appear if a printable file is available.</p> <p>SECURE JOB PRINT DELETE</p> <p>If PRINT is selected, COLLATING AMOUNT is displayed and the number of pages to print can be specified. Press the ENTER button.</p> <p>All specified pages will be printed.</p> <p>If DELETE is selected, the following message will appear.</p> <p>ARE YOU SURE? YES NO</p> <p>If NO is selected you will return to the source MENU. If YES is selected, ALL jobs will be deleted.</p>

INFORMATION MENU

This menu provides a quick method of listing various items stored within the printer.

ITEM	ACTION	EXPLANATION
PRINT MENU MAP	EXECUTE	Prints complete menu listing with current settings shown.
NETWORK	EXECUTE	Prints Network configuration information.
PRINT FILE LIST	EXECUTE	Prints a list of overlays, macros, fonts and other files stored on the printer's hard disk drive (if installed).
PRINT PCL FONT	EXECUTE	Prints complete list of all internal PCL fonts plus those stored in ROM (slot 0), flash memory and in hard disk (if installed).
PRINT PSE FONT	EXECUTE	Prints complete list of all internal PostScript emulation fonts.

ITEM	ACTION	EXPLANATION
PRINT PPR FONT	EXECUTE	Prints complete list of all internal IBM ProPrinter III XL emulation fonts, including any downloaded to flash memory or hard disk.
PRINT FX FONT	EXECUTE	Prints complete list of all internal Epson FX emulation fonts, including any downloaded to flash memory or hard disk.
DEMO1	EXECUTE	Prints demonstration page containing graphics and text in colour and monochrome.
PRINT ERROR LOG	EXECUTE	Prints a list of all errors and warnings experienced.
COLOR PROF LIST	EXECUTE	Prints a list of stored colour profiles.

SHUTDOWN MENU

This menu only appears if the hard disk drive is installed.

This item should always be selected before switching the printer off, to ensure that no hard disk data is lost.

ITEM	SETTINGS	EXPLANATION
SHUTDOWN START	EXECUTE	Performs controlled shutdown of the printer, ensuring that all files on the internal hard disk are closed before power is turned off. Only power the printer off when the display indicates that shutdown is complete.

PRINT MENU

This menu provides adjustment of various print job related functions.

ITEM	SETTINGS	EXPLANATION
COPIES	1-999	Enter the number of copies of a document to be printed from 1 to 999.
DUPLEX	ON OFF	Switches the Duplex (2 sided) function ON/OFF.
BINDING	LONG EDGE SHORT EDGE	Sets the default binding to SEF or LEF

ITEM	SETTINGS	EXPLANATION
PAPER FEED	TRAY1 TRAY2 MP TRAY	Selects the default tray for paper feed, Tray 1 (upper), Tray 2 (lower, if installed) or MP Tray (multi purpose tray).
AUTO TRAY SWITCH	ON OFF	If two trays contain identical paper, the printer can switch to an alternative source when the current tray runs out in the middle of a print job.
TRAY SEQUENCE	DOWN UP PAPER FEED TRAY	Determines tray sequence order when automatically switching.
MP TRAY USAGE	DO NOT USE WHEN MISMATCH	If a document to be printed demands a paper size not installed in the selected tray, the printer can automatically feed from the multi purpose tray instead. If this function is not enabled, the printer will stop and request the correct size of paper to be loaded.
MEDIA CHECK	ENABLE DISABLE	Determines whether the printer check the size of paper loaded matches that required for the document sent to print.
RESOLUTION	600DPI 600 x 1200DPI 600DPI M- LEVEL	Sets the default resolution for printing (dots per inch). 600x1200DPI uses more memory and requires more time to process, but prints at a higher quality.
TONER SAVE MODE	ON OFF	Reduces the amount of toner used for imaging. Toner saving gives lighter prints but is more economical.

ITEM	SETTINGS	EXPLANATION
MONO-PRINT SPEED	<p>AUTO SPEED</p> <p>MONO 32PPM</p> <p>COLOR SPEED</p> <p>MIXED SPEED (C5750)</p>	<p>If the first page of a print job is black and white, the printer runs at 32ppm (pages per minute). When a colour page is detected the printer slows down to 22ppm (C5750) or 26ppm (C5950) for the rest of that job.</p> <p>This setting operates in the same way as AUTO SPEED, except that the printer runs at 32ppm until a colour page is detected. To achieve this speed the printer requires an additional 10 – 20 seconds to warm up and 30 –60 seconds to cool down when switching to 22ppm (C5750) or 26ppm (C5950) for colour pages. This setting is therefore most appropriate when the majority of print jobs are entirely black and white.</p> <p>The printer runs at 22ppm (C5750) or 26ppm (C5950) for all print jobs. This setting is most appropriate when the majority of print jobs are in colour.</p> <p>The printer automatically switches between 22ppm for each colour page and 20ppm for each black and white page. When black and white pages are printed, the 3 colour drums are automatically lifted to maximize their working life. This operation imposes delay each time the printer switches between colour and black and white printing. However, the 30 –60 second cool down delay described for MONO 32ppm is avoided by limiting mono speed to 22ppm. This setting may be preferred for mostly black and white printing with some colour pages, or where most print jobs are entirely colour or entirely black and white.</p>
ORIENTATION	PORTRAIT LANDSCAPE	Selects default page orientation between portrait (tall) and landscape (wide). - (PCL, IBMPPR & EPSON FX only)
LINES PER PAGE	5~ 64 ~128	Sets the number of lines of text per page when raw text is received from systems other than Windows. The default for A4 portrait is 65, and for Letter is 60. - (PCL only)

ITEM	SETTINGS	EXPLANATION
EDIT SIZE	CASSETTE SIZE A4 /A5/ A6 / B5 LEGAL14 LEGAL13.5 LEGAL13 LETTER EXECUTIVE CUSTOM COM-9 ENVELOPE COM-10 ENVELOPE MONARCH ENVELOPE DL ENVELOPE C5 ENVELOPE	Sets the size of the printable page area to match the size of paper in use. This is not the same as the physical paper size, which is always slightly larger. For dimensions of physical page sizes, see "Paper Recommendations" section in this guide.

MEDIA MENU

This menu provides adjustment to suit a wide range of print media.

ITEM	SETTINGS	EXPLANATION
TRAY1 PAPERSIZE	A4 /A5/ A6/B5/ LEGAL14/ LEGAL13.5/ LEGAL13/ LETTER/ EXECUTIVE CUSTOM	Selects the size of paper loaded in Tray 1 (upper tray if both trays installed). For CUSTOM setting see X-DIMENSION and Y-DIMENSION later in this table.
TRAY1 MEDIATYPE	PLAIN LETTERHEAD BOND RECYCLED ROUGH GLOSSY USERTYPE1 USERTYPE2 USERTYPE3 USERTYPE4 USERTYPE5	Selects the type of media loaded in this tray. This will help the printer to adjust its internal operating parameters, such as engine speed and fusing temperature, to better accommodate the media to be fed. For example, letterhead may benefit from a slightly lower fusing temperature to ensure that its ink does not offset. Note: USERTYPEn are displayed only if registered in the host PC/Server.
TRAY1 MEDIaweIGHT	LIGHT MEDIUM HEAVY	Adjusts the printer for the weight of paper stock loaded in this tray.
TRAY2 PAPERSIZE	A4 /A5/ B5/ LEGAL14/ LEGAL13.5/ LEGAL13/ LETTER/ EXECUTIVE CUSTOM	Selects the size of paper loaded in Tray 2 (lower) if installed. For CUSTOM setting see X-DIMENSION and Y-DIMENSION later in this table.
TRAY2 MEDIATYPE	PLAIN LETTERHEAD BOND RECYCLED ROUGH CARD STOCK GLOSSY USER TYPE 1 USER TYPE 2 USER TYPE 3 USER TYPE 4 USER TYPE 5	Selects the type of media loaded in this tray (if installed). This will help the printer to adjust its internal operating parameters, such as engine speed and fusing temperature, to better accommodate the media to be fed. For example, letterhead may benefit from a slightly lower fusing temperature to ensure that its ink does not offset. Note: USERTYPEn are displayed only if registered in the host PC/Server.
TRAY2 MEDIaweIGHT	LIGHT MEDIUM HEAVY ULTRA HEAVY	Adjusts the printer for the weight of paper stock loaded in this tray (if installed).

ITEM	SETTINGS	EXPLANATION
MPT PAPERSIZE	LETTER EXECUTIVE LEGAL14 LEGAL13.5 LEGAL13 A4 / A5 / A6 / B5 CUSTOM COM-9 ENVELOPE COM-10 ENVELOPE MONARCH ENV DL ENVELOPE C5 ENVELOPE	Selects the size of paper to be fed from the multi purpose tray. For CUSTOM setting see X-DIMENSION and Y-DIMENSION later in this table.
MPT MEDIATYPE	PLAIN LETTERHEAD TRANSPARENCY LABELS BOND RECYCLED CARD STOCK ROUGH GLOSSY USER TYPE 1 USER TYPE 2 USER TYPE 3 USER TYPE 4 USER TYPE 5	Selects the type of media to be fed from the multi purpose tray so that the printer can adjust its internal parameters to better accommodate the selected type of media.
MPT MEDIAWEIGHT	LIGHT MEDIUM HEAVY ULTRA HEAVY	Selects the media weight to be fed from the multi purpose tray.
UNIT OF MEASURE	MILLIMETRE INCH	Selects the unit of measure.
X-DIMENSION	64- 210 -216 MILLIMETRE	Selects the width of paper defined by the "CUSTOM" settings referred to in the foregoing PAPER SIZE settings.
Y-DIMENSION	127-148- 297 - 1220 MILLIMETRE	Selects the length of paper defined by the "Custom" settings referred to in the foregoing PAPER SIZE settings. Note that media of up to 1220mm in length can be fed from the multi purpose tray for banner printing.

COLOUR MENU

The printer automatically adjusts colour balance and density at appropriate intervals, optimising the printed output for bright white paper viewed in natural daylight conditions. The items on this menu provide a means of changing the default settings for special or particularly difficult print jobs.

ITEM	SETTINGS	EXPLANATION
DENSITY CONTROL	AUTO MANUAL	If set to AUTO, image density will be automatically adjusted at power on, when a new image drum or toner cartridge is installed, and at intervals of 100, 300 and 500 drum counts. If a 500 drum count interval occurs during a print job it will occur at the end of that job, and will take up to 55 seconds. If set to manual, this adjustment will only be performed when initiated by the next menu item.
ADJUST DENSITY	EXECUTE	Selecting this will activate adjustment of the colour density.
COLOUR TUNING	PRINT PATTERN	Selecting this item prints the colour tuning pattern to help you adjust the colour balance.
C HIGHLIGHT C MID-TONE C DARK M HIGHLIGHT M MID-TONE M DARK Y HIGHLIGHT Y MID-TONE Y DARK K HIGHLIGHT K MID-TONE K DARK	-3~ 0 ~+3 -3~ 0 ~+3 -3~ 0 ~+3 -3~ 0 ~+3 -3~ 0 ~+3 -3~ 0 ~+3 -3~ 0 ~+3 -3~ 0 ~+3 -3~ 0 ~+3 -3~ 0 ~+3 -3~ 0 ~+3 -3~ 0 ~+3	Adjusts image density for each colour component (cyan, magenta, yellow and black). Normal setting is 0.
C DARKNESS M DARKNESS Y DARKNESS K DARKNESS	-3~ 0 ~+3 -3~ 0 ~+3 -3~ 0 ~+3 -3~ 0 ~+3	Adjusts darkness of each colour component (cyan, magenta, yellow and black). Normal setting is 0.

ITEM	SETTINGS	EXPLANATION
AJST REGISTRATION	EXECUTE	Performs automatic colour registration adjustment. Normally this is done on power on and when the top cover is opened and then closed. This process accurately aligns the cyan, magenta and yellow images to the black image.
C REG FINE AJST M REG FINE AJST Y REG FINE AJST	-3~0~+3 -3~0~+3 -3~0~+3	Performs fine adjustment of image timing in relation to the black image component.
INK SIMULATION	OFF SWOP EUROSCALE JAPAN	Selects from a range of industry standard colour swatches. Note: This function only applies to PS models
UCR	LOW MEDIUM HIGH	Selects limitation of the toner layer thickness. If paper curl occurs in dark printing, selecting MEDIUM or LIGHT sometimes helps reduce curl.
CMY 100% DENSITY	DISABLE ENABLE	When enabled, black areas are produced using 100% C, M, and Y instead of black. This results in a glossier finish.
CMYK CONVERSION	ON OFF	Setting to "OFF" will simplify the conversion process of CMYK data, which will reduce the processing time. This setting is ignored when Ink Simulation function is used. Note: This function only applies to PS models

SYSTEM CONFIGURATION MENU

This menu adjusts general printer settings to suit the way you prefer to work.

ITEMS	SETTINGS	EXPLANATION
POWER SAVE DELAY TIME	5 MIN 15 MIN 30 MIN 60 MIN 240 MIN	Adjusts the idling time before the printer automatically switches into power saving mode. In this mode power consumption is reduced to a low level required to just keep the printer operating and ready to receive data. When a job is sent the printer will require a warm-up time of up to 1 minute before printing can begin.
PERSONALITY	AUTO PCL IBM PPR III XL EPSON FX PS3 EMULATION	This item selects which industry standard emulation your printer should use. When set to AUTO, incoming data is examined and the correct emulation is automatically selected each time a print job is received.
PARA PS-PROTOCOL	RAW ASCII	Selects PostScript data format for the parallel port.
USB PS PROTOCOL	RAW ASCII	Selects PostScript data format for USB port.
NET PS PROTOCOL	RAW ASCII	Selects PostScript data format for network port.
CLRABLE WARNING	ONLINE JOB	When ONLINE, non-critical warnings, such as requests for a different paper size, can be cleared by pressing the ON LINE button. When set to JOB, they are cleared when the print job resumes.
AUTO CONTINUE	ON OFF	Determines whether or not the printer will automatically recover from a memory overflow condition.
MANUAL TIMEOUT	OFF 30 60	Specifies how many seconds the printer will wait for paper to be fed before cancelling the job.
WAIT TIMEOUT	5~ 40 ~300, OFF	Specifies how many seconds the printer will wait when received data pauses before forcing a page eject. In PostScript Emulation mode the job will be cancelled if timeout occurs.
LOW TONER	CONTINUE STOP	Specifies whether the printer should continue printing even after a low toner condition is detected.

ITEMS	SETTINGS	EXPLANATION
JAM RECOVERY	ON OFF	Specifies whether the printer should perform jam recovery after a paper jam has occurred. If ON, the printer will attempt to re-print any pages lost due to a paper jam once the jam has been cleared.
ERROR REPORT	ON OFF	If ON, the printer will print error details when a PostScript Emulation error occurs. Note: Applies to PS & PCL XL only.

PCL EMULATION

This menu controls settings effective when the printer is operating in PCL emulation mode.

ITEMS	SETTINGS	EXPLANATION
FONT SOURCE	RESIDENT / RESIDENT2 DOWNLOADED	Specifies the location of the PCL default font. Normally this will be INTERNAL unless additional fonts are installed in the expansion ROM slot or additional fonts have been downloaded to RAM as permanent fonts.
FONT No.	10 / C001 / S001	Sets the current default font number from the currently selected source, which could be internal (I), ROM slot (C) or downloaded (S).
FONT PITCH	0.44CPI~ 10.00CPI ~ 99.99CPI	Sets the width of the PCL default font in characters/inch (CPI). Default font is the fixed-pitch, scalable font. The value is displayed to the second decimal place Displayed only when the font selected in Font No. is fixed-spacing, scalable font.
FONT HEIGHT	4.00 POINT~ 12.00 POINT~999.75 POINT	Point size of selected font. The value is displayed to the second decimal place
SYMBOL SET	PC-8 (Default Symbol Set only shown)	PCL symbol set. If the font source and number are changed to one which does not support the selected symbol set, this must be changed to an available symbol set for that font.

ITEMS	SETTINGS	EXPLANATION
A4 PRINT WIDTH	78 COLUMN 80 COLUMN	Sets the number of columns subject to Auto LF with A4 paper in PCL. This is the value when Auto CR/LF Mode is set to OFF with the 10CPI character.
WHITE PAGE SKIP	OFF / ON	Selects whether blank pages are printed or not.
CR FUNCTION	CR / CR+LF	Selects whether a received carriage return character (0Dh) also causes a line feed.
LF FUNCTION	LF / LF+CR	Selects whether a received line feed character (0Ah) also causes a carriage return.
PRINT MARGIN	NORMAL 1/5 INCH 1/6 INCH	Sets the non-printable page area. NORMAL is PCL compatible.
TRUE BLACK	OFF / ON	Selects whether black image data is printed using black toner (ON) or 100% CMY (OFF). (Valid in PCL emulation mode only.)
PEN WIDTH ADJUST	ON /OFF	
TRAY ID#	MP TRAY 1-4-59	

PPR EMULATION

This menu controls settings effective when the printer is operating in PPR emulation mode.

ITEM	SETTINGS	EXPLANATION
CHARACTER PITCH	10 CPI ; 12 CPI; 17 CPI; 20 CPI; PROPORTIONAL	Specifies character pitch in IBM PPR emulation.
FONT CONDENSE	12CPI - 20CPI ; 12CPI - 12CPI	Specifies 12CPI pitch for Condense Mode.
CHARACTER SET	Set 1; Set 2	Specifies a character set.

ITEM	SETTINGS	EXPLANATION
SYMBOL SET	IBM 437 (Default Symbol Set only shown)	Specifies a symbol set.
LETTER O STYLE	Disable; Enable	Specifies the style that replaces 9BH with letter o and 9DH with a zero
ZERO CHARACTER	Normal; Slashed	Sets the zero to be slashed or unslashed.
LINE PITCH	6 LPI; 8 LPI	Specifies the line spacing.
WHITE PAGE SKIP	OFF / ON	Selects whether blank pages are printed or not.
CR FUNCTION	CR / CR+LF	Selects whether a received carriage return character (0Dh) also causes a line feed.
LF FUNCTION	LF / LF+CR	Selects whether a received line feed character (0Ah) also causes a carriage return.
LINE LENGTH	80 COLUMN; 136 COLUMN	Specifies the number of characters per line.
FORM LENGTH	11 Inch; 11.7 Inch 12 Inch	Specifies the length of paper.
TOF POSITION	0.0 INCH - 1.0 Inch	Specifies the distance of print from the top edge of the paper.
LEFT MARGIN	0.0 Inch - 1.0 Inch	Specifies the distance of print from the left hand edge of the paper.
FIT TO LETTER	Disable; Enable	Sets the printing mode that can fit print data, equivalent to 11 inches (66 lines), in the LETTER-size printable area.
TEXT HEIGHT	Same; Diff	Sets the height of a character. SAME: Regardless of CPI, same height DIFF: As CPI, character heights vary.

FX EMULATION

This menu controls settings effective when the printer is operating in FX emulation mode.

ITEM	SETTINGS	EXPLANATION
CHARACTER PITCH	10 CPI; 12 CPI; 17 CPI; 20 CPI; PROPORTIONAL	Specifies character pitch in this emulation.
CHARACTER SET	Set 1; Set 2	Specifies a character set.
SYMBOL SET	IBM 437 (Default Symbol Set only shown)	Specifies a symbol set.
LETTER O STYLE	Disable; Enable	Specifies the style that replaces 9BH with letter o and 9DH with a zero
ZERO CHARACTER	Normal; Slashed	Sets the zero to be slashed or unslashed.
LINE PITCH	6 LPI; 8 LPI	Specifies the line spacing.
WHITE PAGE SKIP	OFF / ON	Selects whether blank pages are printed or not.
CR FUNCTION	CR / CR+LF	Selects whether a received carriage return character (0Dh) also causes a line feed.
LINE LENGTH	80 COLUMN; 136 COLUMN	Specifies the number of characters per line.
FORM LENGTH	11 inch; 11.7 inch; 12 inch	Specifies the length of paper.
TOF POSITION	0.0 inch - 1.0 inch	Specifies the distance of print from the top edge of the paper.
LEFT MARGIN	0.0 inch - 1.0 inch	Specifies the distance of print from the left hand edge of the paper.
FIT TO LETTER	Disable; Enable	Sets the printing mode that can fit print data, equivalent to 11 inches (66 lines), in the LETTER-size printable area.
TEXT HEIGHT	Same; Diff	Sets the height of a character. SAME: Regardless of CPI, same height. DIFF: As CPI, character heights vary.

PARALLEL MENU

This menu controls the operation of the printer's Parallel data interface.

ITEM	SETTINGS	EXPLANATION
PARALLEL	ENABLE / DISABLE	Enables or disables the parallel port.
BI-DIRECTIONAL	ENABLE / DISABLE	ENABLE/DISABLE the bi-directional capability of the parallel interface.
ECP	ENABLE / DISABLE	Extended Capabilities Port, enables/disables this function.
ACK WIDTH	NARROW / MEDIUM / WIDE	Sets AVVCK width for compatible reception. = 0.5µs = 1.0µs = 3.0µs
ACK / BUSY TIMING	ACK IN BUSY / ACK WHILE BUSY	Sets the order to output the BUSY and ACK signal for compatible reception.
I-PRIME	DISABLE / 3µsec/50µsec	Sets time to enable/disable I-prime signal
OFFLINE RECEIVE	ENABLE / DISABLE	To Enable/disable of this function. When set to Enable, the interface retains a receive possible state even when switching to Offline. Interface sends the BUSY signal only when the receive buffer is full or a service call occurs.

USB MENU

This menu controls the operation of the printer's USB data interface.

ITEM	SETTINGS	EXPLANATION
USB	ENABLE / DISABLE	ENABLES / DISABLES the USB port.
SOFT RESET	ENABLE / DISABLE	Enables or disables the SOFT RESET command.
SPEED	12 / 480 Mps	Selects the interface speed.
OFFLINE RECEIVE	ENABLE / DISABLE	OFFLINE RECEIVE.
SERIAL NUMBER	ENABLE / DISABLE	Specifies whether to ENABLE or DISABLE a USB serial number. The USB serial number is used to identify the USB device connected to your PC.

NOTE

When you have changed any settings in the USB MENU, turn the printer OFF, then ON again.

NETWORK MENU

This menu controls the operation of the printer's 10Base-T/100Base-TX network interface.

ITEM	SETTINGS	EXPLANATION
TCP/IP	ENABLE / DISABLE	Enables or disables this network protocol.
IP VERSION	IP V4 / IPV 4 & V6 IPV 6	Sets up the IP version. Operates with IPv4 only (not valid with IPv6). Operates with both IPv4 and IPv6. Operates with IPv6 only (not valid with IPv4).
NETBEUI	ENABLE / DISABLE	Enables or disables this network protocol.

ITEM	SETTINGS	EXPLANATION
NETWARE	ENABLE / DISABLE	Enables or disables this network protocol.
ETHERTALK	ENABLE / DISABLE	Enables or disables this network protocol.
FRAME TYPE	AUTO / 802.2 / 802.3 / ETHERNET II / SNAP	Selects the Ethernet MAC layer frame type.
IP ADDRESS SET	AUTO / MANUAL	Specifies whether IP address allocation is automatic (DHCP) or manually assigned.
IP ADDRESS	xxx.xxx.xxx.xxx	Current assigned IP address. To change, press ENTER and use +/- keys to increment 1st octet, then press ENTER again to move on to next octet. When 4th octet has been set, press ENTER again to register new address.
SUBNET MASK	xxx.xxx.xxx.xxx	Current assigned subnet mask. To change, proceed as above.
GATEWAY ADDRESS	xxx.xxx.xxx.xxx	Current assigned gateway address. To change, proceed as above.
WEB	ENABLE / DISABLE	Enables or disables Web config. facility.
TELNET	ENABLE / DISABLE	Enables or disables Telnet config. facility.
FTP	ENABLE / DISABLE	Enables or disables communication via FTP.
SNMP	ENABLE / DISABLE	Enables or disables SNMP protocol.
NETWORK SCALE	NORMAL / SMALL	Selects network size. When NORMAL is selected, printer can work effectively, even when connected to a HUB that has a spanning tree feature. However, printer start up time gets longer when computers are connected with two or three small LANs. When SMALL is selected, computers can cover from two or three small LANs to a large LAN, but may not work effectively when connected to a HUB that has a spanning tree feature.

ITEM	SETTINGS	EXPLANATION
HUB LINK SETTING	AUTO NEGOTIATE 100BASE-TX FULL 100BASE-TX HALF 10BASE-T FULL 10BASE-T HALF	Sets full or half duplex for communication via a network hub. When AUTO is set, negotiation is done automatically.
FACTORY DEFAULTS	EXECUTE	Reloads the settings present when the unit was setup by the manufacturer.

MEMORY MENU

This menu sets the conditions of memory allocated to the buffer and resource.

ITEM	SETTINGS	EXPLANATION
RECEIVE BUF SIZE	AUTO 0.5MB 1MB 2MB 4MB 8MB 16MB 32MB	Sets the size of the receive buffer
RESOURCE SAVE	AUTO OFF 0.5MB 1MB 2MB 4MB 8MB 16MB 32MB	Sets the size of the resource saving area.

SYS ADJUST MENU

Not displayed as default. This menu is displayed only when set to **ENABLE** in OP MENU of Administrator menu.

ITEM	SETTINGS	EXPLANATION
X ADJUST	+2.0mm ~ 0 ~ -2.0mm	Adjusts the position of a whole print image in the direction perpendicular to the direction the paper runs, that is horizontally, in 0.25 mm increments. Any parts of the print image that are outside the printable area as a result of this shift will be cropped.
Y ADJUST	+2.0mm ~ 0 ~ -2.0mm	Adjusts the position of a whole print image in the direction the paper runs, that is vertically, in 0.25 mm increments. Any parts of the print image that are outside the printable area as a result of this shift will be cropped. Corrections in a negative value are ignored in PS mode.
DUPLEX X ADJUST	+2.0mm ~ 0 ~ -2.0mm	If the Duplex option is installed, when printing the reverse page of a duplex job, adjusts the position of the whole print image in the direction that is perpendicular to the direction the paper runs, that is horizontally, in 0.25 mm increments. Any parts of the print image that are outside the printable area as a result of this shift will be cropped.
DUPLEX Y ADJUST	+2.0mm ~ 0 ~ -2.0mm	If the Duplex option is installed, when printing the reverse page of a duplex job, adjusts the position of the whole print image in the direction the paper runs, that is vertically, in 0.25 mm increments. Any parts of the print image that are outside the printable area as a result of this shift will be cropped. Corrections in a negative value are ignored in PS mode.
DRUM CLEANING	ON OFF	Sets whether to rotate the drum in idle prior to printing in order to reduce any horizontal white lines. CAUTION: Each additional rotation will shorten the ID life by that amount.

ITEM	SETTINGS	EXPLANATION
HEX DUMP	EXECUTE	Prints out data received from the host PC in hexadecimal Dump. Turning off the power supply switch restores Normal Mode from HEX Dump Mode.

MAINTENANCE MENU

This menu provides access to various printer maintenance functions.

ITEM	SETTINGS	EXPLANATION
MENU RESET	EXECUTE	Resets menus to default settings.
SAVE MENU	EXECUTE	Saves the current menu settings. The last menu executed is saved and the menu previously saved is overwritten and erased. When you press the ENTER button, the following confirmation message is displayed. "DO YOU WANT TO EXECUTE THIS FUNCTION?" YES/NO If you select NO, the display returns to the previous menu. If you select YES, the current menu settings are stored and the menu is exited.
RESTORE MENU	EXECUTE	Changes to the menu setting saved. When the Enter button is pressed, the following confirmation message appears. ARE YOU SURE? YES/NO If NO is selected, the previous menu display resumes. If YES is selected, changes made to the menu setting are saved and you exit from the menu. Notes: This cannot be executed when data is printing. This menu item will only show if the menu has been saved previously
POWER SAVE	ENABLE / DISABLE	Enables or disables automatic power save mode. Delay before entering this mode is set in the SYSTEM CONFIGURATION menu.

ITEM	SETTINGS	EXPLANATION
PAPER BLACK SETTING	-2~0~+2	Used for small adjustments when you experience faded print or light specks / streaking in monochrome printing on white paper. Select a higher value to reduce fading, or a lower value to reduce specks or streaking in high density print areas.
PAPER COLOR SETTING	-2~0~+2	As above, but for colour printing.
TRANSPR BLACK SETTING	-2~0~+2	As above but for mono printing on transparencies.
TRANSPR COLOR SETTING	-2~0~+2	As above but for colour printing on transparencies.
SMR STTING	-2~0~+2	Sets a correction value for uneven print quality, to correct print variations caused by variations in temperature and humidity or in print density/frequency.
BG SETTING	-3~0~+3	Sets a correction value for dark-coloured paper printing, to correct print variations caused by variations in temperature and humidity or in print density/frequency.

USAGE MENU

This menu is for information only, and provides an indication of total usage of the printer and the expected life left in its consumable items. This is particularly useful if you do not have a full set of replacement consumables to hand and you need to know how soon you will need them.

ITEM	EXPLANATION
TOTAL PAGE COUNT	Displays the total number of pages printed (excluding any pages that have jammed). <i>Note: in Duplex printing, a sheet is counted as 2 pages, thus the total page count may not necessarily equal the number of pages printed from each tray.</i>
TRAY1 PAGE COUNT	The total number of pages fed from tray 1.
TRAY2 PAGE COUNT	The total number of pages fed from tray 2 (if fitted).
MPT PAGE COUNT	The total number of pages fed from the multi purpose tray.
COLOR PAGE COUNT	The total number of pages printed in colour.
MONO PAGE COUNT	The total number of pages printed in monochrome.
K DRUM LIFE REMAINING C DRUM LIFE REMAINING M DRUM LIFE REMAINING Y DRUM LIFE REMAINING	Percentage of life remaining in these consumable items.
BELT LIFE REMAINING	Percentage of belt life remaining.
FUSER LIFE REMAINING	Percentage of fuser life remaining.
K TONER (n.nK) C TONER (n.nK) M TONER (n.nK) Y TONER (n.nK)	Cartridge size and current toner level.

JOB LOG MENU

ITEM	SETTING	EXPLANATION
PASSWORD	nnnn	Enters a password to enter Print Statistics menu. The default password is "0000." <i>Note: "JOB LOG MENU" category is not shown when Print if Statistics function is not supported.</i>
JOB LOG	ENABLE/ DISABLE	Prints a list of jobs carried out on this printer.
LOG SIZE	1 ~ 30 ~ 100	Specifies the maximum number of data retained for printing data history. If the total data history is more than this setting value, the data will be updated in ascending order. <i>Note: HDD must be fitted.</i>
RESET COUNTER	EXECUTE	Zeros the counter
CHANGE PASSWORD		Enables change of the Password
NEW PASSWORD	****	Sets a new password
VERIFY PASSWORD	****	Verifies the change

ADMINISTRATOR MENU

This menu is only accessible to System Administrators. In order to gain access to this menu, hold down the **ENTER** button whilst turning the printer **ON**.

This menu is in **ENGLISH** only.

ITEM	SETTINGS	EXPLANATION
ENTER PASSWORD	xxxxxxxxxxxx	Enter a password to gain entry to the Admin menu. Password should be from 6 to 12 digits of alpha/numeric characters (or mix) The default value is "aaaaaa"

ITEM	SETTINGS	EXPLANATION
OP MENU/ ALL CATEGORY	ENABLE DISABLE	Set up ENABLE/DISABLE condition for all categories in USERS MENU. If DISABLE is selected, USERS MENU, except PRINTJOB MENU, will not appear.
OP MENU/ PRINT JOBS MENU	ENABLE DISABLE	Set up ENABLE/DISABLE condition for PRINT JOB MENU category. If DISABLE is selected, PRINT JOB MENU category of USERS MENU will not appear.
OP MENU/ INFORMATION MENU	ENABLE DISABLE	Set up ENABLE/DISABLE condition for INFORMATION MENU category. If DISABLE is selected, INFORMATION MENU category of USERS MENU will not appear.
OP MENU SHUTDOWN MENU	ENABLE DISABLE	Set up ENABLE/DISABLE condition for SHUTDOWN MENU category. If DISABLE is selected, SHUTDOWN MENU category of USERS MENU will not appear.
OP MENU PRINT MENU	ENABLE DISABLE	Set up ENABLE/DISABLE condition for PRINT MENU category. If DISABLE is selected, PRINT MENU category of USERS MENU will not appear.
OP MENU MEDIA MENU	ENABLE DISABLE	Set up ENABLE/DISABLE condition for MEDIA MENU category. If DISABLE is selected, MEDIA MENU category of USERS MENU will not appear.
OP MENU/ COLOR MENU	ENABLE DISABLE	Set up ENABLE/DISABLE condition for COLOR MENU category. If DISABLE is selected, COLOR MENU category of USERS MENU will not appear.
OP MENU/ SYS CONFIG MENU	ENABLE DISABLE	Set up ENABLE/DISABLE condition for SYS.CONFIG MENU category. If DISABLE is selected, SYS.CONFIG MENU category of USERS MENU will not appear.

ITEM	SETTINGS	EXPLANATION
OP MENU/ PCL EMULATION	ENABLE DISABLE	Set up ENABLE/DISABLE condition for PCL EMULATION category. If DISABLE is selected, PCL EMULATION category of USERS MENU will not appear.
OP MENU PPR EMULATION	ENABLE DISABLE	Set up ENABLE/DISABLE condition for PPR EMULATION category. If DISABLE is selected, PPR EMULATION category of USERS MENU will not appear.
FX EMULATION	ENABLE DISABLE	Set up ENABLE/DISABLE condition for FX EMULATION category. If DISABLE is selected, FX EMULATION category of USERS MENU will not appear.
PARALLEL MENU	ENABLE DISABLE	Set up ENABLE/DISABLE condition for PARRALLEL category. If DISABLE is selected, PARALLEL category of USERS MENU will not appear.
OP MENU/ USB MENU	ENABLE DISABLE	Set up ENABLE/DISABLE condition for USB MENU category. If DISABLE is selected,USB MENU category of USERS MENU will not appear.
OP MENU/ NETWORK MENU	ENABLE DISABLE	Set up ENABLE/DISABLE condition for NETWORK MENU category. If DISABLE is selected, NETWORK MENU category of USERS MENU will not appear.
OP MENU/ MEMORY MENU	ENABLE DISABLE	Set up ENABLE/DISABLE condition for MEMORY MENU category. If DISABLE is selected, MEMORY MENU category of USERS MENU will not appear.
OP MENU/ SYS ADJUST MENU	ENABLE DISABLE	Set up ENABLE/DISABLE condition for SYS.ADJUST MENU category. If DISABLE is selected, SYS.ADJUST MENU category of USERS MENU will not appear.

ITEM	SETTINGS	EXPLANATION
OP MENU/ MAINTENANCE MENU	ENABLE DISABLE	Set up ENABLE/DISABLE condition for MAINTENANCE MENU category. If DISABLE is selected, MAINTENANCE MENU category of USERS MENU will not appear.
OP MENU/ USAGE MENU	ENABLE DISABLE	Set up ENABLE/DISABLE condition for USAGE MENU category. If DISABLE is selected, USAGE MENU category of USERS MENU will not appear.
OP MENU/ JOB LOG MENU	ENABLE DISABLE	Set up ENABLE/DISABLE condition for JOB LOG category. If DISABLE is selected, JOB LOG category of USERS MENU will not appear.
CONFIG. MENU/ NEARLIFE LED	ENABLE DISABLE	Enables/disables illumination of front panel LED when "near-end-of-life" warning of a toner, drum, fuser, or belt occurs. Attention LED is lit when setting is enabled, inhibited when disabled.
FILE SYS MAINT1/ HDD INITIALIZE	EXECUTE	Initialise the HDD as factory default. The printer needs to be partitioned and initialized. The following message appears after that. ARE YOU SURE? YES/NO If "NO" is selected, the display will go back to the source menu. If "YES" is selected, the printer will automatically reboot and execute HDD initialisation. <i>Note: This item appears only when a HDD is installed.</i>
FILE SYS MAINT1/ PARTITION SIZE	EXECUTE	The screen will display the HDD partition size. <i>Note: This item appears only when a HDD is installed.</i>

ITEM	SETTINGS	EXPLANATION
FILE SYS MAINTE1/ HDD FORMATTING	PCL COMMON PSE	<p>Format the specified partition. Press the ENTER button and the following message appears.</p> <p>ARE YOU SURE? YES/NO</p> <p>If NO is selected, the display will go back to the source menu. If YES is selected, the printer will automatically reboot and initialise the specified partition.</p> <p><i>Note: This item appears only when a HDD is installed.</i></p>
FILE SYS MAINTE1/ FLASH INITIALIZE	EXECUTE	<p>Initialises the resident FLASH MEMORY.</p> <p>If NO is selected, the machine will go back to the source menu.</p> <p>If YES is selected, the machine will be automatically rebooted and initialize the FLASH memory.</p>
FILE SYS MAINTE2/ CHK FILE SYS	ENABLE DISABLE	<p>Enabling this function will resolve any mismatch between the actual and the displayed free space of the file system and recover the management data (FAT information).</p> <p>The following message will appear after selection.</p> <p>ARE YOU SURE? YES/NO</p> <p>If NO is selected, the display will go back to the source menu. If YES is selected, the printer it will automatically reboot and recover the file system.</p> <p><i>Note 1: It takes several seconds to complete this function.</i></p> <p><i>Note 2: This item appears only when a HDD is installed.</i></p>

ITEM	SETTINGS	EXPLANATION
FILE SYS MAINTE2/ CHK ALL SECTORS	EXECUTE	<p>This function can recover an error of HDD sector information and any mismatch of the file system noted above.</p> <p>Subject to HDD only.</p> <p>The following message will appear after the selection.</p> <p>ARE YOU SURE? YES/NO</p> <p>If NO is selected, the display will go back to the source menu. If YES is selected, the printer it will automatically reboot and recover the file system.</p> <p><i>Note 1: It takes from 30 to 40 minutes for a 10GB HDD to complete this function.</i></p> <p><i>Note 2: This item appears only when a HDD is installed.</i></p>
FILE SYS MAINTE2/ HDD	ENABLE DISABLE	<p>If the printer is unable to start with the HDD installed due, possibly to a fault in the HDD, the printer can be started as if it did not have the HDD installed by setting this menu item to "DISABLE"</p> <p>Access to the HDD will be failed in this condition as it will be considered that the printer does not have a HDD installed.</p> <p><i>Note : This item appears only when a HDD is installed.</i></p>

ITEM	SETTINGS	EXPLANATION
FILE SYS MAINTE2/ HDD ERASE	EXECUTE	<p>This function deletes all the data stored in the hard disk. Data cannot be recovered. DoD 5220.22-M sanitizing formula is used for clearing the desk. The printer will restart after changing the setup menu.</p> <p>The progress of the procedure is displayed as a percentage.</p> <p>The following message appears after pressing the ENTER button. ARE YOU SURE? YES/NO</p> <p>If NO is selected, the display will go back to the source menu, and the procedure for clearing the disk will start again immediately after the reboot. if YES is selected.</p> <p>The following message appears if the CANCEL button is pressed. CANCEL NOW? YES/NO</p> <p>If NO is selected, the procedure will continue.</p> <p>If YES is selected, the procedure will discontinue and the printer will restart after formatting the hard disk.</p> <p><i>Note :This item appears only when a HDD is installed.</i></p>
FILE SYS MAINTE2/ INITIAL LOCK	YES NO	If "YES" is selected , you will not be able to select "ADMIN MENU" - "FILE SYS MAINTE1" (above).
LANGUAGE MENU / LANGUAGE INITIALIZE	EXECUTE	<p>Initialise the message file loaded in FLASH MEMORY.</p> <p>If NO is selected, the machine will go back to the source menu. The procedure for clearing the disk will start immediately after the menu and machine reboot.</p>
PS MENU / LI TRAY	TYPE1 TYPE"	Switches between Postscript types
SIDM MENU/ MANUAL ID	0 ~ 2 ~ 9	Set up Pn specified in MANUAL by MANUAL-1 ID No.FX/PPR Emu in CSFcontrol command fi(ESC EM Pn).

ITEM	SETTINGS	EXPLANATION
SIDM MENU/ MANUAL2 ID	0 ~ 3 ~ 9	Set up Pn specified MANUAL by MANUAL-2 ID No.FX/PPR Emu in CSF control command(ESC EM Pn).
SIDM MENU/ SIDM MP TRAY	0 ~ 4 ~ 9	Set up Pn specified TRAYO(MP Tray) by MP Tray ID No.FX/PPR Emu in CSF control command(ESC EM Pn).
SIDM MENU/ SIDM TRAY1	0 ~ 1 ~ 9	Set up Pn specified TRAY 1by Tray 1 ID No.FX/PPR Emu in CSF control command(ESC EM Pn).
SIDM MENU/ SIDM TRAY2	0 ~ 2 ~ 5 ~9	Set up Pn specified TRAY 2 by Tray 2 ID No.FX/PPR Emu in CSF control command (ESC EM Pn).
CHANGE PASSWORD/ NEW PASSWORD	xxxxxxxxxxxx	Set a new password for entering the administrator's menu. Password should be from 6 to 12 digits of alpha/numeric characters (or mix) The default value is "aaaaaa" The printer will restart after the ADMIN MENU.
CHANGE PASSWORD/ VERIFY PASSWORD	xxxxxxxxxxxx	Verification of above.
PARTITION SIZE/ PCL/COMMON/ PSE	nnn%mmm%lll%	Sets up the partition size. nn,mm,ll should be 1~98% and nn+mm+ll = 100%. The display for changing partition size will blink. Press BACK/ENTER button to confirm of changed location. The following confirmation message will be displayed by pressing ENTER switch in the last column. ARE YOU SURE? YES/NO If NO is selected, the display will go back to the source menu. If YES is selected, the printer will automatically reboot. At the same time, the HDD will change partition size and initialise. (Changing one partition size automatically affects other partition size).

REPLACING CONSUMABLE ITEMS

This section explains how to replace consumable items when due. As a guide, the life expectancy of these items is:

TONER:

STARTER CARTRIDGE:

The machine is shipped with sufficient Black, Cyan, Magenta & Yellow toner for 2,250 A4 pages, of which 750 A4 pages of toner are used to initially charge the image drum (1,500 A4 pages remaining at 5% coverage).

REPLACEMENT CARTRIDGE:

A4 PAGE COVERAGE (OF THIS COLOUR)		2.5%	5.0%	10%
Black	C5750	16,000	8,000	4,000
	C5950	16,000	8,000	4,000
Cyan	C5750	4,000	2,000	1,000
	C5950	12,000	6,000	3,000
Magenta	C5750	4,000	2,000	1,000
	C5950	12,000	6,000	3,000
Yellow	C5750	4,000	2,000	1,000
	C5950	12,000	6,000	3,000

IMAGE DRUM:

Approximately 20,000 pages (calculated on typical office usage where 20% of printing is 1 page only, 30% is 3 page documents and 50% is print runs of 15 pages or more).

TRANSFER BELT:

Approximately 60,000 A4 pages.

FUSER:

Approximately 60,000 A4 pages.

CONSUMABLE ORDER DETAILS

ITEM	LIFE	ORDER NO.
Toner, C5950, black	8,000 A4 @ 5%*	43865724
Toner, C5950, cyan	6,000 A4 @ 5%*	43865723
Toner, C5950, magenta	6,000 A4 @ 5%*	43865722
Toner, C5950, yellow	6,000 A4 @ 5%*	43865721
Toner, C5750, black	8,000 A4@ 5%*	43865708
Toner, C5750, cyan	2,000 A4@ 5%*	43872307
Toner, C5750, magenta	2,000 A4@ 5%*	43872306
Toner, C5750, yellow	2,000 A4@ 5%*	43872305
Image drum, C5950, black	20,000 A4 pages*	43870024
Image drum, C5950, cyan	20,000 A4 pages*	43870023
Image drum, C5950, magenta	20,000 A4 pages*	43870022
Image drum, C5950, yellow	20,000 A4 pages*	43870021
Image drum, C5750, black	20,000 A4 pages*	43870008
Image drum, C5750, cyan	20,000 A4 pages*	43870007
Image drum, C5750, magenta	20,000 A4 pages*	43870006
Image drum, C5750, yellow	20,000 A4 pages*	43870005
Fuser	60,000 A4 pages*	43853103
Transport belt	60,000 A4 @ 3/job	43347602

* Average life: 20% pages at continuous print, 50% pages at 3 pages per job and 30% pages at 1 page per job.

Only use genuine Oki Original consumables to ensure the best quality and performance from your hardware. Non Oki Original products may adversely affect your printer's performance and invalidate your warranty.

TONER CARTRIDGE REPLACEMENT

NOTE

When the LCD display indicates TONER LOW, or if print appears faded, first open the top cover and try tapping the cartridge a few times to evenly distribute the toner powder. This will enable you to obtain the best "yield" from your toner cartridge.

CAUTION!

To avoid toner wastage and possible toner sensor errors, do not change the toner cartridge(s) until "TONER EMPTY" is displayed.

The toner used in this printer is a very fine dry powder. It is contained in four cartridges: one each for cyan, magenta, yellow and black.

Have a sheet of paper handy so that you have somewhere to place the used cartridge while you install the new one.

Dispose of the old cartridge responsibly, inside the pack that the new one came in. Follow any regulations, recommendations, etc., which may be in force concerning waste recycling.

If you do spill any toner powder, lightly brush it off. If this is not enough, use a cool, damp cloth to remove any residue.

Do not use hot water, and never use solvents of any kind. They will make stains permanent.

WARNING!

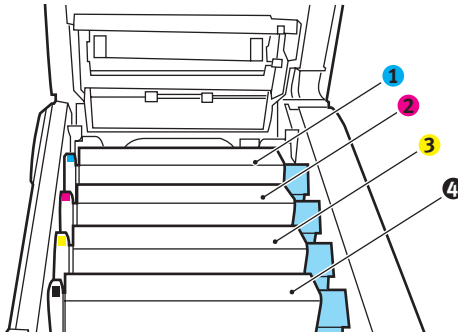
If you inhale any toner or get it in your eyes, drink a little water or bathe your eyes liberally in cold water. Seek medical attention immediately.

1. Press the cover release and open the printer's top cover fully.

WARNING!

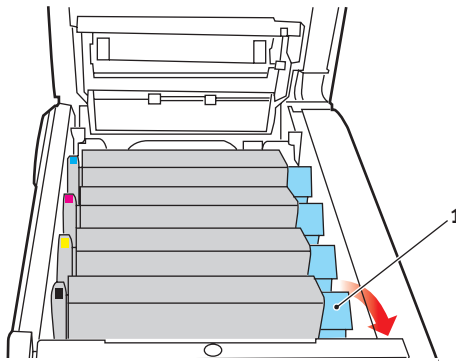
If the printer has been powered on, the fuser may be hot. This area is clearly labelled. Do not touch.

2. Note the positions of the four cartridges.

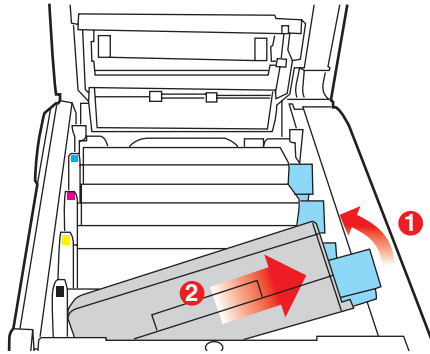


1. Cyan cartridge	2. Magenta cartridge
3. Yellow cartridge	4. Black cartridge

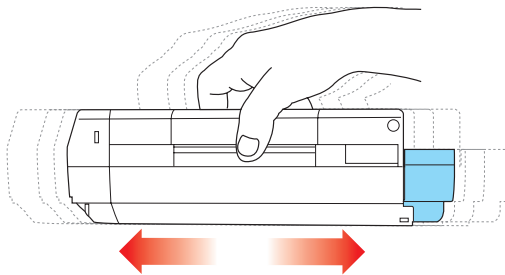
- (a) Pull the coloured toner release lever (1) on the cartridge to be replaced fully towards the front of the printer.



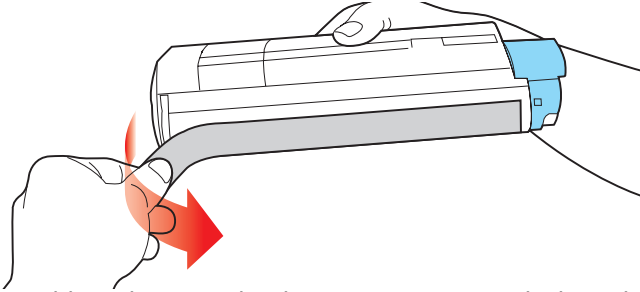
3. Lift the right-hand end of the cartridge and then draw the cartridge to the right to release the left-hand end as shown, and withdraw the toner cartridge out of the printer.



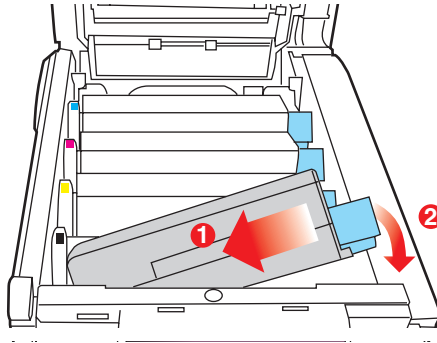
4. Put the cartridge down gently onto a piece of paper to prevent toner from marking your furniture.
5. Remove the new cartridge from its box but leave its wrapping material in place for the moment.
6. Gently shake the new cartridge from end to end several times to loosen and distribute the toner evenly inside the cartridge.



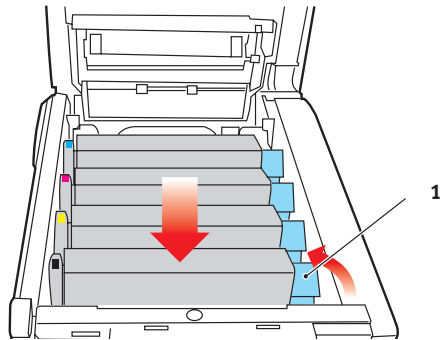
7. Remove the wrapping material and peel off the adhesive tape from the underside of the cartridge.



8. Holding the cartridge by its top centre with the coloured lever to the right, lower it into the printer over the image drum unit from which the old cartridge was removed.
9. Insert the left end of the cartridge into the top of the image drum unit first, pushing it against the spring on the drum unit, then lower the right end of the cartridge down onto the image drum unit.



- 10.** Pressing gently down on the cartridge to ensure that it is firmly seated, push the coloured lever (1) towards the rear of the printer. This will lock the cartridge into place and release toner into the image drum unit.



- 11.** Finally, close the top cover and press down firmly at both sides so that the cover latches closed.

IMAGE DRUM REPLACEMENT.

CAUTION!



Static sensitive devices, handle with care.

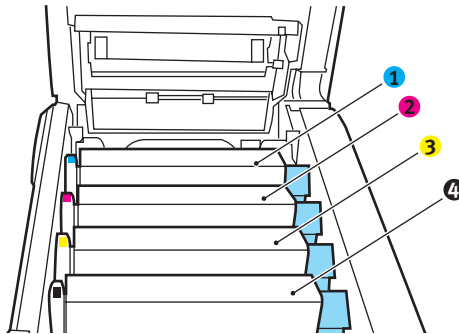
The printer contains four image drums: cyan, magenta, yellow and black.

1. Press the cover release and open the printer's top cover fully.

WARNING!

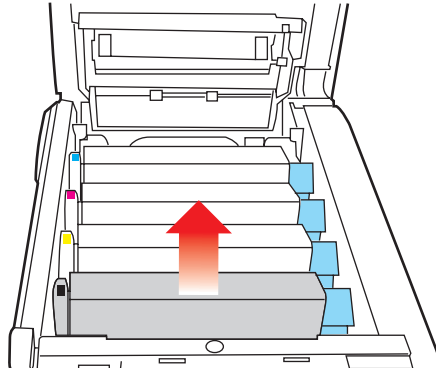
If the printer has been powered on, the fuser will be hot. This area is clearly labelled. Do not touch.

2. Note the positions of the four cartridges.



1. Cyan cartridge	2. Magenta cartridge
3. Yellow cartridge	4. Black cartridge

3. Holding it by its top centre, lift the image drum, complete with its toner cartridge, up and out of the printer.

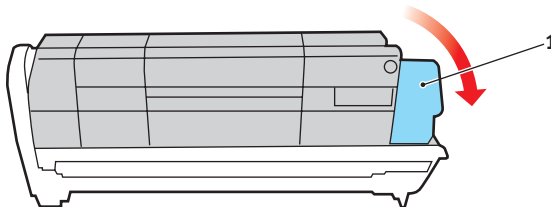


4. Put the cartridge down gently onto a piece of paper to prevent toner from marking your furniture and to avoid damaging the green drum surface.

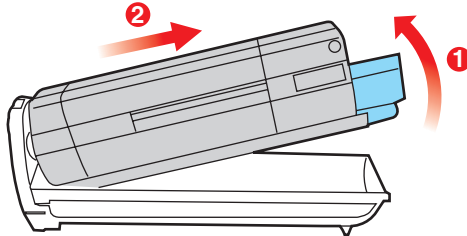
CAUTION!

The green image drum surface at the base of the cartridge is very delicate and light sensitive. Do not touch it and do not expose it to normal room light for more than 5 minutes. If the drum unit needs to be out of the printer for longer than this, please wrap the cartridge inside a black plastic bag to keep it away from light. Never expose the drum to direct sunlight or very bright room lighting.

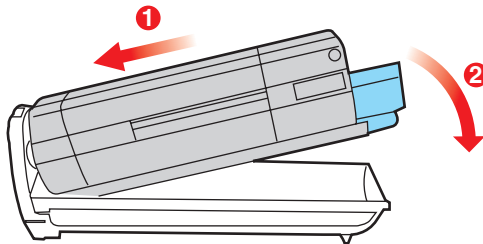
5. With the coloured toner release lever (1) to the right, pull the lever towards you. This will release the bond between the toner cartridge and the image drum cartridge.



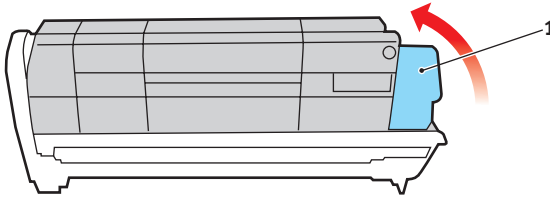
6. Lift the right-hand end of the cartridge and then draw the cartridge to the right to release the left-hand end as shown, and withdraw the toner cartridge out of the image drum cartridge. Place the cartridge on a piece of paper to avoid marking your furniture.



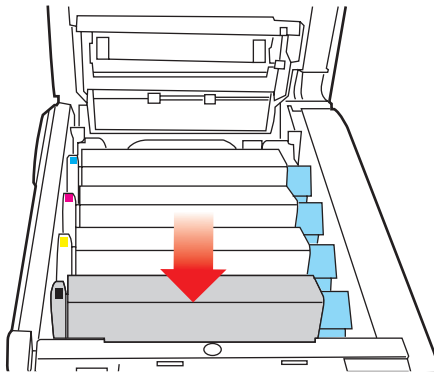
7. Take the new image drum cartridge out of its packaging and place it on the piece of paper where the old cartridge was placed. Keep it the same way round as the old unit. Pack the old cartridge inside the packaging material for disposal.
8. Place the toner cartridge onto the new image drum cartridge as shown. Push the left end in first, and then lower the right end in. (It is not necessary to fit a new toner in unless the remaining toner level is very low.)



- 9.** Push the coloured release lever (1) away from you to lock the toner cartridge onto the new image drum unit and release toner into it.



- 10.** Holding the complete assembly by its top centre, lower it into place in the printer, locating the pegs at each end into their slots in the sides of the printer cavity.



- 11.** Finally, close the top cover and press down firmly at both sides so that the cover latches closed.

NOTE

If you need to return or transport your printer for any reason, please make sure you remove the image drum unit beforehand and place in the bag provided. This is to avoid toner spillage.

REPLACING THE BELT UNIT

The belt unit is located under the four image drums. This unit requires replacement approximately every 60,000 pages.

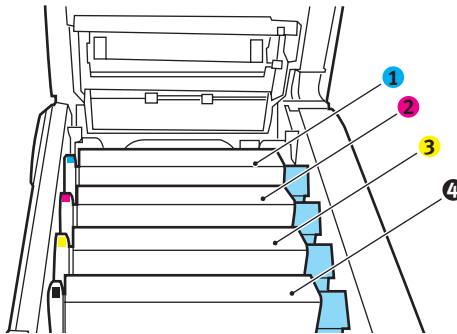
Switch off the printer and allow the fuser to cool for about 10 minutes before opening the cover.

1. Press the cover release and open the printer's top cover fully.

WARNING!

If the printer has been powered on, the fuser will be hot. This area is clearly labelled. Do not touch.

2. Note the positions of the four cartridges. It is essential that they go back in the same order



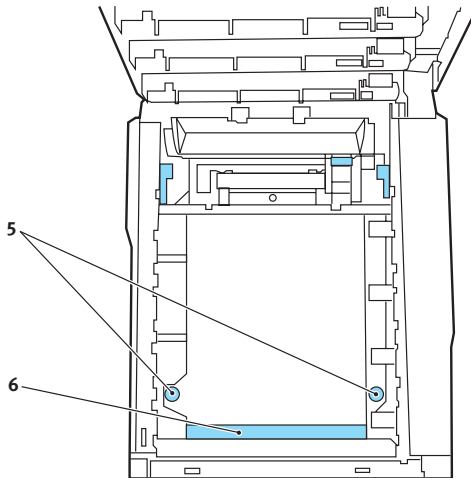
1. Cyan cartridge	2. Magenta cartridge
3. Yellow cartridge	4. Black cartridge

3. Lift each of the image drum units out of the printer and place them in a safe place away from direct sources of heat and light.

CAUTION!

The green image drum surface at the base of each cartridge is very delicate and light sensitive. Do not touch it and do not expose it to normal room light for more than 5 minutes. If the drum unit needs to be out of the printer for longer than this, please wrap the cartridge inside a black plastic bag to keep it away from light. Never expose the drum to direct sunlight or very bright room lighting.

4. Locate the two fasteners (5) at each side of the belt and the lifting bar (6) at the front end.



5. Turn the two fasteners 90° to the left. This will release the belt from the printer chassis.
6. Pull the lifting bar (6) upwards so that belt tilts up towards the front, and withdraw the belt unit from the printer.

- 7.** Lower the new belt unit into place, with the lifting bar at the front and the drive gear towards the rear of the printer. Locate the drive gear into the gear inside the printer by the rear left corner of the unit, and lower the belt unit flat inside the printer.
- 8.** Turn the two fasteners (5) 90° to the right until they lock. This will secure the belt unit in place.
- 9.** Replace the four image drums, complete with their toner cartridges, into the printer in the same sequence as they came out: cyan (nearest the rear), magenta, yellow and black (nearest the front).
- 10.** Finally, close the top cover and press down firmly at both sides so that the cover latches closed.

FUSER REPLACEMENT

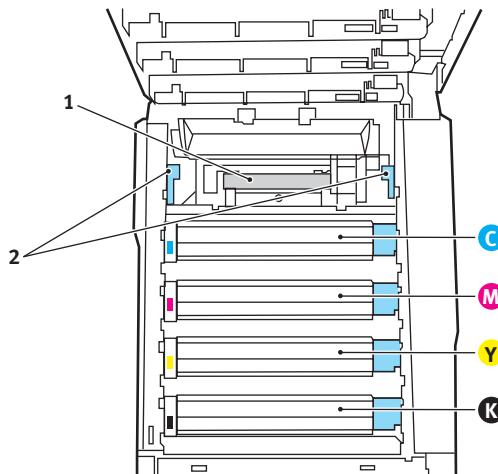
The fuser is located inside the printer just behind the four image drum units.

WARNING!

If the printer has recently been powered on, some fuser components will be very hot. Handle the fuser with extreme care, holding it only by its handle, which will only be mildly warm to the touch. A warning label clearly indicates the area. If in doubt, switch the printer off and wait at least 10 minutes for the fuser to cool before opening the printer cover.

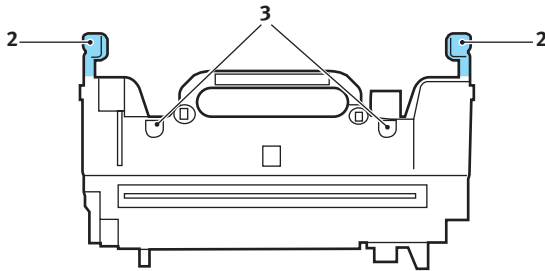
Switch off the printer and allow the fuser to cool for about 10 minutes before opening the cover.

1. Press the cover release and open the printer's top cover fully.
2. Identify the fuser handle (1) on the top of the fuser unit.

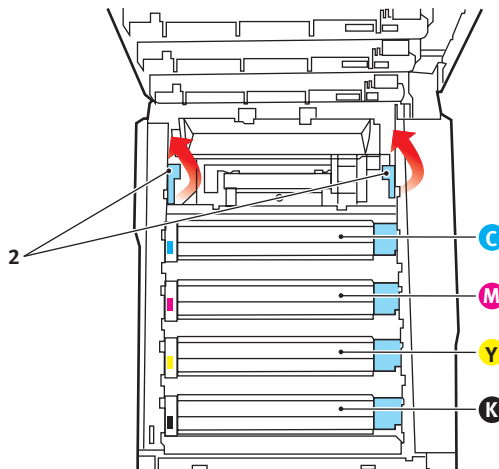


3. Pull the two fuser retaining levers (2) towards the front of the printer so that they are fully upright.

4. Holding the fuser by its handle (1), lift the fuser straight up and out of the printer. If the fuser is still warm, place it on a flat surface which will not be damaged by heat.
5. Remove the new fuser from its packaging and remove the transit material.
6. Holding the new fuser by its handle, make sure that it is the correct way round. The retaining levers (2) should be fully upright, and the two locating lugs (3) should be towards you.



7. Lower the fuser into the printer, locating the two lugs (3) into their slots in the metal partition which separates the fuser area from the image drums.
8. Push the two retaining levers (2) towards the rear of the printer to lock the fuser in place.



Finally, close the top cover and press down firmly at both sides so that the cover latches closed.

CLEANING THE LED HEAD

Clean the LED head when printing does not come out clearly, has white lines or when text is blurred.

1. Switch off the printer and open the top cover.
2. Gently wipe the LED head surface with LED lens cleaner or soft tissue.



CAUTION!

Do not use methyl alcohol or other solvents on the LED head as damage to the lens surface will occur.

3. Close the top cover.

INSTALLING UPGRADES

This section explains how to install optional equipment into your printer. This includes:

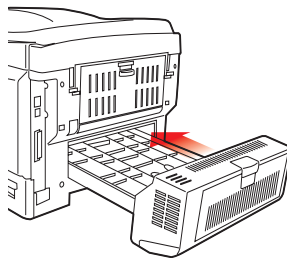
- > duplex (two-sided printing) unit;
- > additional RAM memory;
- > hard disk drive.
- > additional paper tray
- > cabinet

DUPLEX UNIT

The duplex unit adds the function of two-sided printing, using less paper and making large documents easier to handle. It also enables booklet printing, which uses even less paper and makes large documents even easier to handle.

The duplex unit slides straight into the rear of the printer and requires no tools to install.

1. Unpack the new unit and remove any transit material from it.
2. Switch the printer off. It is not necessary to disconnect the AC power cable.
3. Ensure that the unit is the right way up, as shown, and push it into the slot behind the rear panel. The panel will swing inwards as you push the unit into it. Push the unit all the way in until it stops and latches home.



4. Switch the printer on and wait for it to warm up (about 1 minute).

5. Print a menu map as follows:
 - (a) Press the **+** button to access the Information Menu.
 - (b) Press **ENTER** once for the menu map.
 - (c) Press **ENTER** again to print the menu map.
 - (d) When the menu map is printed, press **ON LINE** to exit the menu system.
6. Examine the first page of the menu map.

Near the top of the page, between the two horizontal lines, you will see the current printer configuration. This list should indicate that the duplex unit is now installed.

All that remains is to adjust the Windows printer driver to make full use of the new features ([“Adjusting Windows printer drivers” on page 81](#)).

MEMORY UPGRADE

The basic printer model comes equipped with 256MB of main memory. This can be upgraded with an additional memory board of 256MB or 512MB, giving a maximum total memory capacity of 768MB.

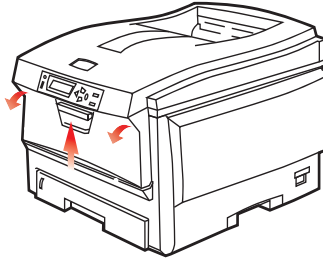
Installation takes a few minutes, and requires a medium size cross-head (Philips type) screwdriver.

1. Switch the printer off and disconnect the AC power cable.
2. Press the cover release and open the printer's top cover fully.

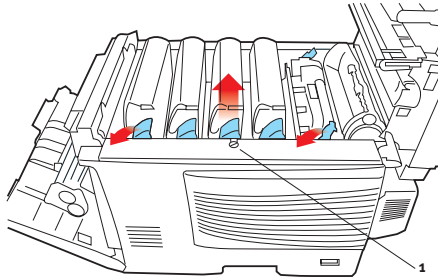
WARNING!

If the printer has been powered on recently, the fuser will be hot. This area is clearly labelled. Do not touch.

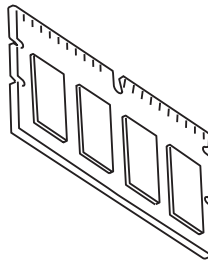
3. Lift the front cover latch and pull open the front cover.



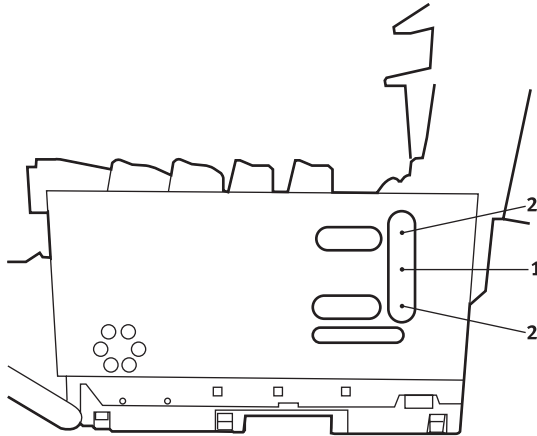
4. Remove the screw (1) securing the right-hand side cover.



5. Lift the edge of the side cover slightly at the two points shown, and pull the cover away from the printer at the top. Lift the cover slightly to detach it from the printer. Place it safely to one side.
6. Carefully remove the new memory board from its wrapping. Try to handle the board only by its short edges, avoiding contact with any metal parts as far as possible. In particular, avoid touching the edge connector.
7. Notice that the memory board has a small cutout in the edge connector, which is closer to one end than the other.



- 8.** Identify the RAM expansion slot (1) in the printer.



- 9.** If the RAM expansion slot already contains a memory upgrade board, that board will have to be removed before you can install the new one. To remove it, proceed as follows, otherwise skip to step 10.
- (a) Identify the locking clips (2) at each end of the RAM expansion slot (1).
 - (b) Push the clips outward and back into the printer. The board will pop out slightly.
 - (c) Grip the board firmly by its short edges and pull it out of the slot.
 - (d) Place the removed memory board in the antistatic bag which originally contained the new memory board.
- 10.** Hold the new memory board by its short edges, so that the edge connector faces in towards the RAM expansion slot, and the small cutout is closer to the rear of the printer.
- 11.** Gently push the board into the RAM expansion slot until it latches in and will not go any further.
- 12.** Locate the three retaining clips at the bottom of the side cover into their rectangular holes near the bottom of the printer.

- 13.** Close the top of the side cover up to the printer and refit the securing screw removed in step 4.
- 14.** Close the front cover and close the top cover, pressing down firmly at each side to latch it closed.
- 15.** Reconnect the AC power cable and switch the printer on.
- 16.** When the printer is ready, print a menu map as follows:
 - (a) Press the **+** button to access the Information Menu.
 - (b) Press **ENTER** once for the menu map.
 - (c) Press **ENTER** again to print the menu map.
 - (d) When the menu map is printed, press **ON LINE** to exit the menu system.
- 17.** Examine the first page of the menu map.

Near the top of the page, between the two horizontal lines, you will see the current printer configuration. This list contains the figure for total memory size.

This should indicate the total memory now installed.

HARD DISK DRIVE

The optional internal hard disk drive (HDD) enables collating of printed pages and can be used to store overlays and macros, fonts, and secure or proof documents waiting to be printed.

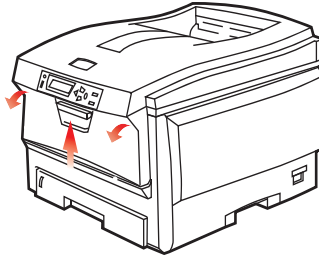
Installation takes a few minutes, and requires a medium size cross-head (philips type) screwdriver.

1. Switch the printer off and disconnect the AC power cable.
2. Press the cover release and open the printer's top cover fully.

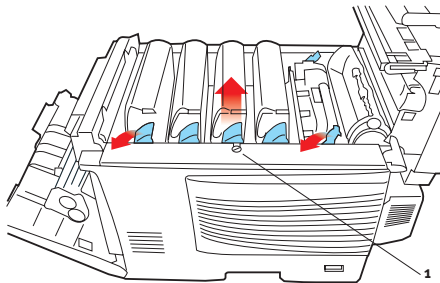
WARNING!

If the printer has been powered on recently, the fuser will be hot. This area is clearly labelled. Do not touch.

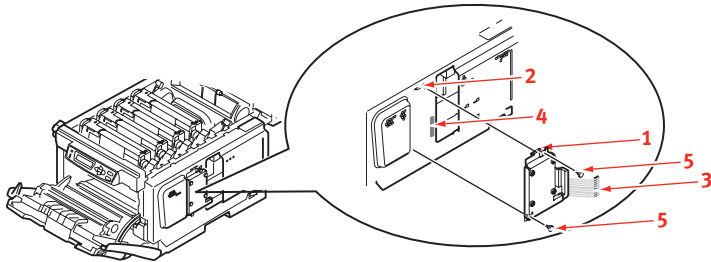
3. Lift the front cover latch and pull open the front cover.



4. Remove the screw (1) securing the right-hand side cover.



5. Lift the edge of the side cover slightly at the two points shown, and pull the cover away from the printer at the top. Lift the cover slightly to detach it from the printer. Place it safely to one side.

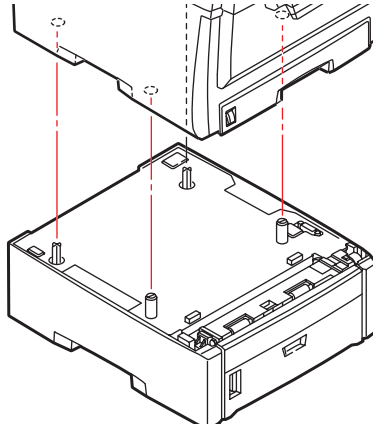


6. Locate the clip (1) on the top of the disk unit into the slot (2) in the printer.
7. Plug the end of the connecting cable (3) into the disk unit connector (4) in the printer.
8. Tighten the two thumbscrews (5).
9. Close the top of the side cover up to the printer and refit the securing screw removed in step 4.
10. Close the front cover and the top cover, pressing down firmly at each side to latch it closed.
11. Reconnect the AC power cable and switch the printer on.
12. When the printer is ready, print a menu map as follows:
 - (a) Press the **+** button to access the Information Menu.
 - (b) Press **ENTER** once for the menu map.
 - (c) Press **ENTER** again to print the menu map.
 - (d) When the menu map is printed, press **ON LINE** to exit the menu system.
13. Examine the first page of the menu map.

Near the top of the page, between the two horizontal lines, you will see the current printer configuration. This should now indicate that the hard disk unit is installed.

ADDITIONAL PAPER TRAY

1. Switch the printer off and disconnect the AC power cable.
2. Place additional paper tray on desired location.
3. Observing safety rules for lifting and, using locating guides, place printer on top of the additional paper tray.



4. Re-connect the AC power cable and switch the printer ON.

ADJUSTING WINDOWS PRINTER DRIVERS

Once your new upgrade has been installed, you may need to update the Windows printer driver so that the additional features are available to your Windows applications.

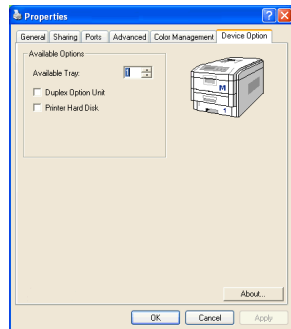
Remember that if your printer is shared between users on different computers, the driver must be adjusted on each user's machine.

The illustrations shown here are for Windows XP. Other Windows versions may appear slightly different, but the principles are the same.

If you have installed a memory upgrade it is not necessary to change the printer driver, and you can ignore this section.

If you have installed a duplex unit or hard disk, proceed as follows:

1. Open the Printers window (called "Printers and Faxes" in Windows XP) via the **Start Menu** or from the Windows Control Panel.
2. Right-click the printer icon for this printer, and choose **Properties** from the pop-up menu.
3. On the **Device Options** tab, check the box for the upgrade you have just installed.
4. Click **OK** to close the properties window, and then close the Printers window.



STORAGE CABINET

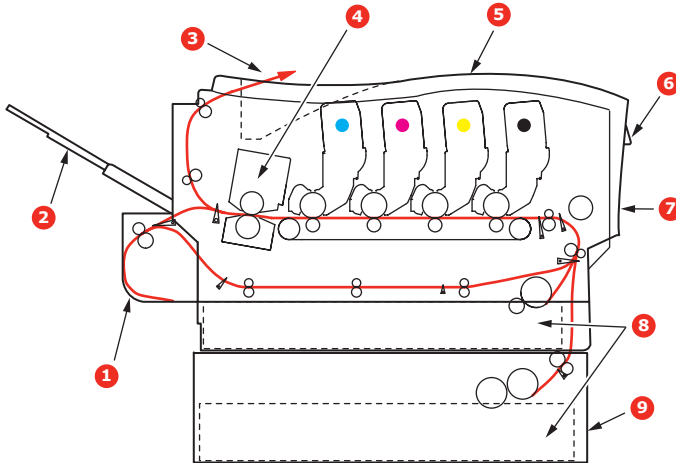
Instructions for installing the Storage Cabinet are supplied with the Cabinet.

CLEARING PAPER JAMS

Provided that you follow the recommendations in this guide on the use of print media, and you keep the media in good condition prior to use, your printer should give years of reliable service. However, paper jams occasionally do occur, and this section explains how to clear them quickly and simply.

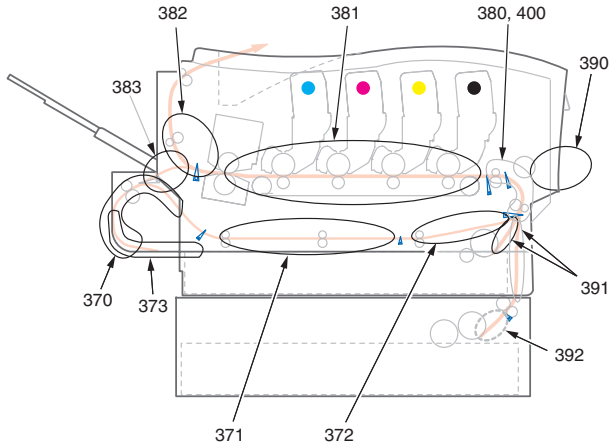
Jams can occur due to paper misfeeding from a paper tray or at any point on the paper path through the printer. When a jam occurs, the printer immediately stops, and the Alert LED on the Status Panel (together with the Status Monitor) informs you of the event. If printing multiple pages (or copies), do not assume that, having cleared an obvious sheet, others will not also be stopped somewhere along the path. These must also be removed in order to clear the jam fully and restore normal operation.

MAJOR PRINTER COMPONENTS AND PAPER PATH



1. Duplex unit (if fitted).	6. Operator panel.
2. Face-up stacker.	7. Front cover.
3. Paper exit.	8. Paper tray.
4. Fuser unit	9. Additional paper tray (if fitted)
5. Top cover.	

PAPER SENSOR ERROR CODES



CODE #	LOCATION	CODE #	LOCATION
370	Duplex unit *	382	Paper exit
371	Duplex unit *	383	Duplex unit *
372	Duplex unit *	390	MP Tray
373	Duplex unit *	391	Paper Tray
380	Paper feed	392	2 nd Paper tray *
381	Paper path	400	Paper size

* (if fitted).

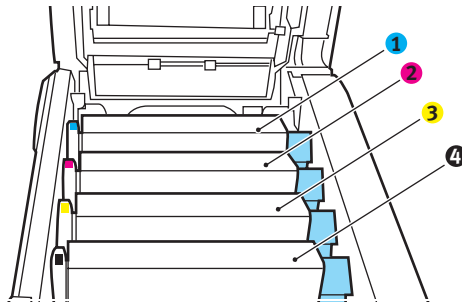
1. If a sheet is well advanced out of the top of the printer, simply grip it and pull gently to draw it fully out. If it does not remove easily, do not use excessive force. It can be removed from the rear later.

2. Press the cover release and open the printer's top cover fully.

WARNING!

If the printer has been powered on, the fuser will be hot. This area is clearly labelled. Do not touch.

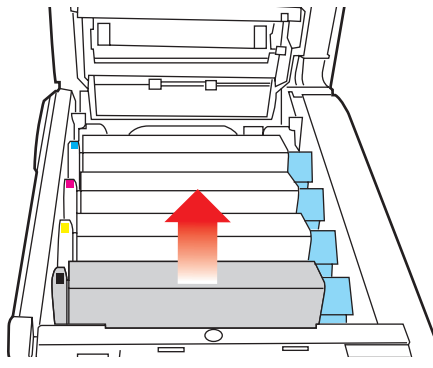
3. Note the positions of the four cartridges.



1. Cyan cartridge	2. Magenta cartridge
3. Yellow cartridge	4. Black cartridge

It will be necessary to remove the four image drums to gain access to the paper path.

4. Holding it by its top centre, lift the cyan image drum, complete with its toner cartridge, up and out of the printer.

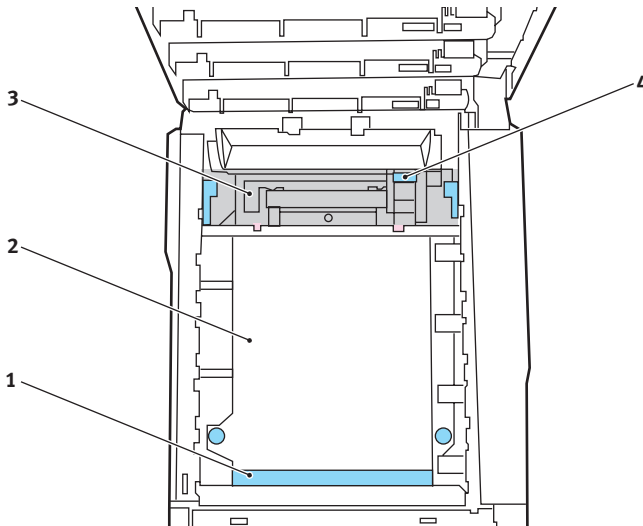


5. Put the cartridge down gently onto a piece of paper to prevent toner from marking your furniture and to avoid damaging the green drum surface.

CAUTION!

The green image drum surface at the base of the cartridge is very delicate and light sensitive. Do not touch it and do not expose it to normal room light for more than 5 minutes.

6. Repeat this removal procedure for each of the remaining image drum units.
7. Look into the printer to check whether any sheets of paper are visible on any part of the belt unit.

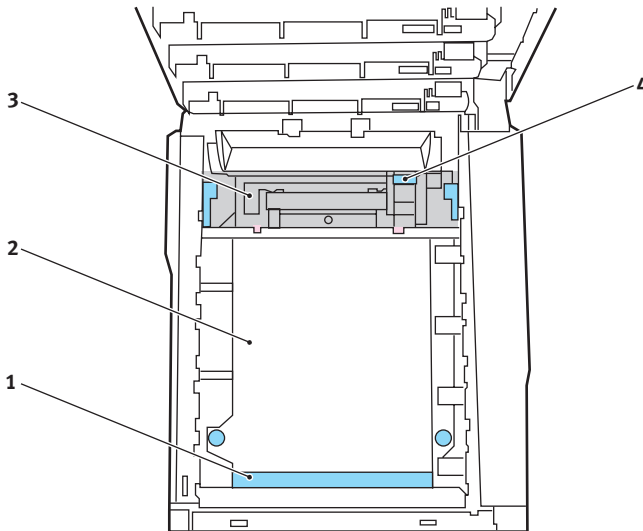


- > To remove a sheet with its leading edge at the front of the belt (1), carefully lift the sheet from the belt and pull it forwards into the internal drum cavity and withdraw the sheet.

CAUTION!

Do not use any sharp or abrasive objects to separate sheets from the belt. This may damage the belt surface.

- > To remove a sheet from the central area of the belt (2), carefully separate the sheet from the belt surface and withdraw the sheet.

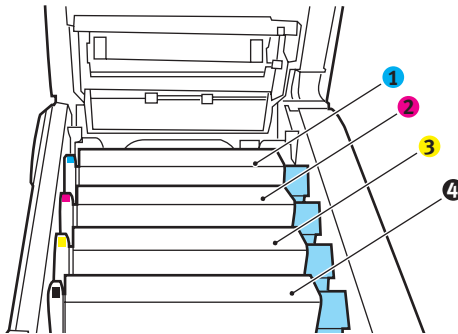


- > To remove a sheet just entering the fuser (3), separate the trailing edge of the sheet from the belt, push the fuser pressure release lever (4) towards the front and down to release the fuser's grip on the sheet, and withdraw the sheet through the drum cavity area. Then allow the pressure release lever to rise again.

NOTE

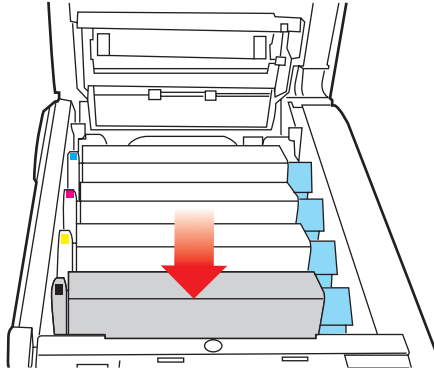
If the sheet is well advanced into the fuser (only a short length is still visible), do not attempt to pull it back. Follow the next step to remove it from the rear of the printer.

8. Starting with the cyan image drum unit nearest the fuser, replace the four image drums into the drum cavity, making sure to locate them in the correct order.

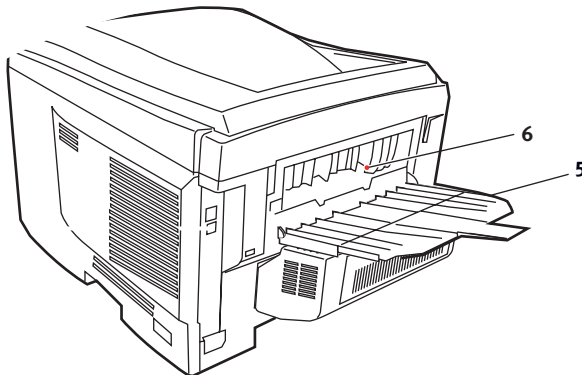


1. Cyan cartridge	2. Magenta cartridge
3. Yellow cartridge	4. Black cartridge

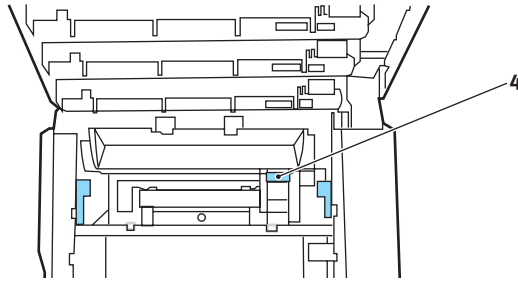
- > Holding the complete assembly by its top centre, lower it into place in the printer, locating the pegs at each end into their slots in the sides of the printer cavity.



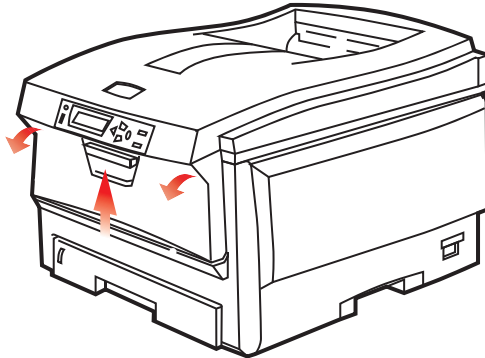
9. Lower the top cover but do not press down to latch it closed yet. This will protect the drums from excessive exposure to room lighting while you check the remaining areas for jammed sheets.
10. Open the rear exit tray (5) and check for a sheet of paper in the rear path area (6).



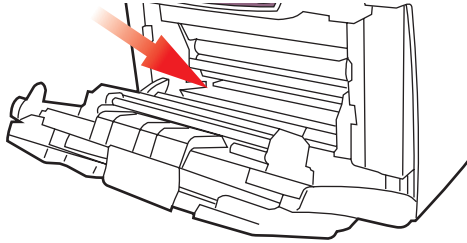
- > Pull out any sheets found in this area.
- > If the sheet is low down in this area and difficult to remove, it is probably still gripped by the fuser. In this case raise the top cover, reach around and press down on the fuser pressure release lever (4).



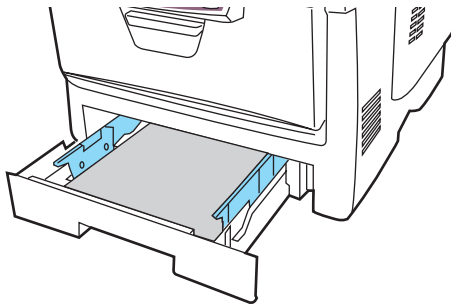
11. If you are not using the rear exit tray, close it once paper has been removed from this area.
12. Lift the front cover release and pull open the front cover.



13. Check inside the cover for sheets in this area and remove any that you find, then close the cover.



14. Pull out the paper tray and ensure that all paper is stacked properly, is undamaged, and that the paper guides are properly positioned against the edges of the paper stack. When satisfied, replace the tray.



15. Finally, close the top cover and press down firmly at both sides so that the cover latches closed.

When the jam has been cleared, if Jam Recovery is set to ON in the System Configuration Menu, the printer will attempt to reprint any pages lost due to paper jams.

SPECIFICATIONS

C5750/C5950 - N31176B

ITEM	SPECIFICATION
Dimensions	435 x 563 x 339mm (W x D x H) without Duplex unit
Weight	26Kg approx. (without Duplex unit)
Print method	LED exposed light source electronic photographic method
Print speeds	C5750: 20 pages per minute colour / 32 pages per minute monochrome C5950: 26 pages per minute colour / 32 pages per minute monochrome
Resolution	600 x 600, 600 x 1200dpi or 600 x 600dpi x 2bit
Emulations	PostScript 3 PCL 5c, HP-GL, PCL XL, PCL 6e Epson FX IBM Pro Printer III XL
Auto Features	Auto registration Auto density adjustment Auto consumable counter reset
Memory	256MB standard, upgradable to 512MB or 768MB
Operating platform	Windows 2000/XP/XP Pro x64 bit Edition*/NT4.0 /Server 2003/Server 2003 x64 bit Edition*, Vista 32 & 64 bit. * x86-64 processors only. Itanium is not supported. Mac OS X (10.2 or higher), Classic
Paper capacity at 80g/m ²	300 sheets in main tray 530 sheets in optional 2nd tray 100 sheets in multi purpose tray (or 50 transparencies or 10 envelopes)
Paper weight	64 ~ 120g/m ² in main tray 64 ~ 176g/m ² in 2nd tray 64 ~ 203g/m ² in multi purpose tray
Paper output	250 sheets in face down (top) stacker @ 80g/m ² 100 sheets in face up (rear) stacker @ 80g/m ²
Paper feed ^a	Paper tray, manual feed, optional additional paper tray(s)
Media size - any tray	A4, A5, A6 (tray 1 only), B5, Legal 13/13.5/14 inch, letter, Executive.

ITEM	SPECIFICATION
Media size - MP tray	A4, A5, A6, B5, Legal 13/13.5/14 inch, letter, executive, custom (up to 1200mm length), com-9 envelope, com-10 envelope, monarch envelope, DL envelope, C5 envelope
Media type	Plain, Letterhead, Transparency, Bond, Recycled, card stock, Rough, Labels and Glossy
Paper capacity (depending on paper weight)	Paper tray: 300 sheets approx. Manual feed: 100 sheets approx. Optional additional paper tray: 530
Exit capacity (depending on paper weight)	Face up: 100 sheets approx. Face down: 500 sheets approx.
Print accuracy	Start: ± 2 mm Paper skew: ± 1 mm/100 mm Image expansion/compression: ± 1 mm/100 mm
HDD	Capacity - 40Gb
Interfaces Universal Serial Bus (USB) Network Parallel Interface	USB specification Version 2.0 Connection: USB type B Cable: USB specification version 2.0 (shielded) Transmission mode: Full speed (480Mbps + 0.25% maximum) 10 Base T, 100 Base TX IEEE 1284 (C5900P)
Printer life	420,000 pages or 5 years
Duty cycle	50,000 pages per month max., 4,000 pages per month average
Toner life	Starter: C, M, Y & K: 1,500 pages at 5% coverage Replacement: Black: 8,000 pages at 5% coverage CMY: C5750 - 2,000 pages at 5% coverage C5950 - 6,000 pages at 5% coverage
Image drum life	20,000 pages (25,000 at continuous print, 18,000 at 3 pages per job and 9,000 pages at 1 page per job)
Belt life	60,000 A4 pages at 3 pages per job

ITEM	SPECIFICATION																				
Fuser life	60,000 A4 pages																				
Power supply	220 to 240VAC @ 50/60 Hz ± 1 Hz																				
Power consumption	Operating: 1200 max.; 490 W av. (25°C) Stand-by: 100 max.; 150 W av. (25°C) Power saving: 45 W max. (20ppm colour) Power saving: 70 W max. (26ppm colour)																				
Operating environment	Operating 10 to 32 °C/20 to 80% RH (optimum 25 °C wet, 2 °C dry) Off: 0 to 43 °C/10 to 90% RH (optimum 26.8 °C wet, 2 °C dry)																				
Print environment	30 to 73% RH @ 10 °C; 30 to 54% RH @ 32 °C 10 to 32 °C @ 30% RH; 10 to 27 °C @ 80% RH Colour 17 to 27 °C @ 50 to 0% RH																				
Noise (Sound pressure level)	<table> <thead> <tr> <th></th> <th></th> <th>Colour</th> <th>Mono</th> </tr> </thead> <tbody> <tr> <td>C5750:</td> <td>Operating:</td> <td>52.6dB(A)</td> <td>55,6dB(A)</td> </tr> <tr> <td></td> <td>Standby:</td> <td></td> <td>37dB(A)</td> </tr> <tr> <td>C5950:</td> <td>Operating:</td> <td>53.8dB(A)</td> <td>55.6dB(A)</td> </tr> <tr> <td></td> <td>Standby:</td> <td></td> <td>37dB(A)</td> </tr> </tbody> </table>			Colour	Mono	C5750:	Operating:	52.6dB(A)	55,6dB(A)		Standby:		37dB(A)	C5950:	Operating:	53.8dB(A)	55.6dB(A)		Standby:		37dB(A)
		Colour	Mono																		
C5750:	Operating:	52.6dB(A)	55,6dB(A)																		
	Standby:		37dB(A)																		
C5950:	Operating:	53.8dB(A)	55.6dB(A)																		
	Standby:		37dB(A)																		

- a. Exit method is limited by paper size, media weight and paper feed.

Specifications subject to change without notice. All trademarks acknowledged.

FACTORY DEFAULT SETTINGS

CATEGORY	ITEM	DEFAULT
PRINT MENU	COPIES	1
	DUPLEX	OFF
	BINDING	LONG EDGE
	PAPER FEED	TRAY1
	AUTO TRAY SWITCH	ON
	TRAY SEQUENCE	DOWN
	MP TRAY USAGE	DO NOT USE
	MEDIA CHECK	ENABLE
	RESOLUTION	600 X 1200 dpi
	TONER SAVE MODE	OFF
	MONO-PRINT SPEED	AUTO
	ORIENTATION	POTRAIT
	LINES PER PAGE	64
	EDIT SIZE	CASSETTE SIZE

CATEGORY	ITEM	DEFAULT
MEDIA MENU	TRAY1 PAPERSIZE	A4
	TRAY1 MEDIATYPE	PLAIN
	TRAY1 MEDIAWEIGHT	MEDIUM
	TRAY2 PAPERSIZ	A4
	TRAY2 MEDIATYPE	PLAIN
	TRAY2 MEDIAWEIGHT	MEDIUM
	MPT PAPERSIZE	A4
	MPT MEDIATYPE	PLAIN
	MPT MEDIAWEIGHT	MEDIUM
	UNIT OF MEASURE	MILLIMETER
	X DIMENSION	210 mm
	Y DIMENSION	297 mm

CATEGORY	ITEM	DEFAULT
COLOR MENU	DENSITY CONTROL	AUTO
	C HIGHLIGHT	0
	C MID-TONE	0
	C DARK	0
	M HIGHLIGHT	0
	M MID-TONE	0
	M DARK	0
	Y HIGHLIGHT	0
	Y MID-TONE	0
	Y DARK	0
	K HIGHLIGHT	0
	K MID-TONE	0
	K DARK	0
	C DARKNESS	0
	M DARKNESS	0
	Y DARKNESS	0
	K DARKNESS	0
	C REG FINE AJST	0
	M REG FINE AJST	0
	Y REG FINE AJST	0
	INK SIMULATION	OFF
	UCR	LOW
CMY100% DENSITY	DISABLE	
CMYK CONVERSION	ON	

CATEGORY	ITEM	DEFAULT
SYS CONFIG MENU	POW SAVE TIME	60 MIN
	PERSONALITY	AUTO EMULATION
	PARA PS-PROTOCOL	ASCII
	USB PS-PROTOCOL	RAW
	NET PS-PROTOCOL	RAW
	CLRABLE WARNING	ONLINE
	AUTO CONTINUE	OFF
	MANUAL TIMEOUT	60 secs.
	WAIT TIMEOUT	40 secs.
	LOW TONER	CONTINUE
	JAM RECOVERY	ON
	ERROR REPORT	OFF
PCL EMULATION	FONT SOURCE	RESIDENT
	FONT No.	10
	FONT PITCH	10.00 CPI
	SYMBOL SET	PC-8
	A4 PRINT WIDTH	78 COLUMN
	WHITE PAGE SKIP	OFF
	CR FUNCTION	CR
	LF FUNCTION	LF
	PRINT MARGIN	NORMAL
	TRUE BLACK	OFF
	PEN WIDTH ADJUST	ON

CATEGORY	ITEM	DEFAULT
PPR EMULATION	CHARACTER PITCH	10cpi
	FONT CONDENSE	12cpi TO 20cpi
	CHARACTER SET	SET-2
	SYMBOL SET	IBM-437
	LETTER 0 STYLE	DISABLE
	ZERO CHARACTER	NORMAL
	LINE PITCH	6 LPI
	WHITE PAGE SKIP	OFF
	CR FUNCTION	CR
	LF FUNCTION	LF
	LINE LENGTH	80 COLUMN
	FORM LENGTH	11.7 INCH
	TOF POSITION	0.0 INCH
	LEFT MARGIN	0.0 INCH
	FIT TO LETTER	DISABLE
TEXT HEIGHT	SAME	

CATEGORY	ITEM	DEFAULT
FX EMULATION	CHARACTER PITCH	10cpi
	CHARACTER SET	SET-2
	SYMBOL SET	IBM-437
	LETTER 0 STYLE	DISABLE
	ZERO CHARACTER	NORMAL
	LINE PITCH	6 LPI
	WHITE PAGE SKIP	OFF
	CR FUNCTION	CR
	LF FUNCTION	LF
	LINE LENGTH	80 COLUMN
	FORM LENGTH	11.7 INCH
	TOF POSITION	0.0 INCH
	LEFT MARGIN	0.0 INCH
	FIT TO LETTER	DISABLE
	TEXT HEIGHT	SAME
PARALLEL MENU	PARALLEL	ENABLE
	BI-DIRECTION	ENABLE
	ECP	ENABLE
	ACK WIDTH	NARROW
	ACK/BUSY TIMING	ACK IN BUSY
	I-PRIME	DISABLE
	OFFLINE RECEIVE	DISABLE
USB MENU	USB	ENABLE
	SOFT RESET	DISABLE
	SPEED	480mps
	OFFLINE RECEIVE	DISABLE
	SERIAL NUMBER	ENABLE

CATEGORY	ITEM	DEFAULT
NETWORK MENU	TCP/IP	ENABLE
	IP VERSION	IPv4
	NETBEUI	DISABLE
	IP ADDRESS SET	AUTO
	IP ADDRESS	169.254.xxx.xxx / 192.168.100.100
	SUBNET MASK	255.255.0.0 / 255.255.255.0
	GATEWAY ADDRESS	0.0.0.0 / 192.168.100.254
	WEB/PP	ENABLE
	TELNET	ENABLE
	FTP	DISABLE
	SNMP	DISABLE
	NETWORK SCALE	NORMAL
	HUB LINK SETTING	AUTO NEGOTIATE
MEMORY MENU	RECEIVE BUF SIZE	AUTO
	RESOURCE SAVE	OFF
DISK MAINTENCE	PCL/Common/PCE	20%/50%/30%
SYS ADJUST MENU	X ADJUST	0.00mm
	Y ADJUST	0.00mm
	DUPLEX X ADJUST	0.00mm
	DUPLEX Y ADJUST	0.00mm
	DRUM CLEANING	OFF

CATEGORY	ITEM	DEFAULT
MAINTENANCE MENU	POWER SAVE	ENABLE
	PAPER BLACK SET	0
	PAPER COLOR SET	0
	TRNSPR BLACK SET	0
	TRNSPR COLOR SET	0
	SMR SETTING	0
	BG SETTING	0
JOB LOG MENU	ENTER PASSWORD	0000
	JOB LOG	DISABLE
	LOG SIZE	30

INDEX

B

- Belt
 - how to replace 66
 - life expectancy..... 55
 - life remaining 46

C

- Cleaning the LED head 71
- Colour
 - adjusting 32

D

- Duplex
 - how to install..... 72
 - paper size and weight limits 14

E

- Envelopes
 - loading 19

F

- Fuser
 - how to replace 69
 - life expectancy..... 55
 - life remaining 46

H

- Hard disk drive
 - how to install..... 78

I

- Image drum
 - how to replace 62
 - life expectancy..... 55
- Image drums
 - current usage state 46

L

- Labels
 - recommended types 12

M

- Maintenance menu..... 42
- Major printer components and paper path 82
- Menu functions..... 21
- Menus
 - Colour menu..... 32
 - factory default settings 22
 - FX emulation 38
 - how to use 21
 - Maintenance menu 44
 - Media menu 30

- menu map25
- Network menu.....40
- PCL emulation menu 35
- PPR emulation menu36
- Print jobs menu24
- Print menu26
- resetting.....44
- System configuration menu34
- Usage menu.....46
- USB menu40, 42, 43

- Multi purpose tray
 - how to use..... 18
 - paper metrics13

N

- Network addresses
 - setting.....41
- Network protocols
 - enabling or disabling40

O

- Operator Panel.....21

P

- Paper
 - jam clearing82
 - jam codes83
 - loading cassette trays.....15
 - loading letterhead16
 - Paper jam codes83
 - recommended types12
 - supported sheet sizes13
 - weights and sizes.....30

- Power saving
 - delay time.....34
 - enabling or disabling44

- PPR emulation.....36

- Print order
 - face down stacker17
 - face up stacker17

- Print quality
 - adjusting45

- Printer overview 9

S

- Switching off correctly.....26

T

- Toner
 - current usage state46
 - how to replace.....57
 - life expectancy55
- Transparencies
 - recommended types12

U

Upgrades	
memory	74
Usage menu	46

OKI CONTACT DETAILS

Oki Systems (UK) Limited

550 Dundee Road
Slough Trading Estate
Slough, SL1 4LE

Tel: 44 (0) 1753 819819
Fax: 44 (0) 1753 819899
<http://www.oki.co.uk>

Oki Systems Ireland Limited

The Square Industrial Complex
Tallaght, Dublin 24, Ireland

Tel: +353 1 4049590
Fax: +353 1 4049591
<http://www.oki.ie>

OKI Systems (Ireland) Ltd.

40 Sydenham Park
Belfast, BT4 1PW

Tel: +44 44 (0)28 90 20 1110
<http://www.oki.ie>

Technical Support for all of Ireland:

Tel: +353 1 4049570
Fax: +353 1 4049555
E-mail: tech.support@oki.ie

Oki Data Corporation

4-11-22 Shibaura, Minato-ku,
Tokyo 108-8551, Japan

Tel: (81) 3 5445 6158
Fax: (81) 3 5445 6189
<http://www.okidata.co.jp>

Oki Data (Singapore) Pte. Ltd.

78 Shenton Way, #09-01,
Singapore 079120

Tel: (65) 221 3722
Fax: (65) 421 1688
<http://www.okidata.com.sg>

Oki Systems (Thailand) Ltd.

956 Udomvidhya Building 6th
Floor, Rama IV Rd., Bangkok
10500, Thailand

Tel: (662) 636 2535
Fax: (662) 636 2536
<http://www.okisysthai.com>

Oki Hong Kong Limited

Suite 1909, Tower3,
China Hong Kong City,
33 Canton Rd., Tsimshatsui,
Kowloon, Hong Kong

Tel: (852) 2736 0130
Fax: (852) 2376 3725

The IPL Group

63-85 Victoria Street
Beaconsfield NSW 2015,
Australia

Tel: (61) 2 9690 8200
Fax: (61) 2 9690 8300
<http://www.oki.com.au>

Comworth Systems Ltd.

10 Constellation Drive
Mairangi Bay, Auckland,
New Zealand

Tel: (64) 9 477 0500
Fax: (64) 9 477 0549
<http://www.comworth.co.nz>

OKI EUROPE LIMITED

Central House

Balfour Road

Hounslow TW3 1HY

United Kingdom

Tel: +44 (0) 208 219 2190

Fax: +44 (0) 208 219 2199

WWW.OKIPRINTINGSOLUTIONS.COM

