



MULTIFUNCTIONAL DIGITAL COLOR SYSTEMS

Paper Preparation Guide

ES9466 MFP/ES9476 MFP

Preface

Thank you for purchasing OKI Multifunctional Digital Systems or Multifunctional Digital Color Systems. This manual describes how to load paper and place originals to use the copying functions of this equipment. Read this manual before using this equipment.

■ How to read this manual

□ Symbols in this manual


In this manual, some important items are described with the symbols shown below. Be sure to read these items before using this equipment.

⚠ WARNING Indicates a potentially hazardous situation which, if not avoided, could result in death, serious injury, or serious damage, or fire in the equipment or surrounding objects.

⚠ CAUTION Indicates a potentially hazardous situation which, if not avoided, may result in minor or moderate injury, partial damage to the equipment or surrounding objects, or loss of data.

Note Indicates information to which you should pay attention when operating the equipment.

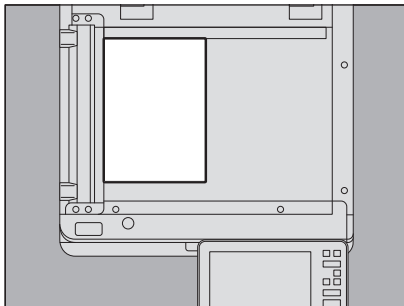
Tip Describes handy information that is useful to know when operating the equipment.

 Pages describing items related to what you are currently doing. See these pages as required.

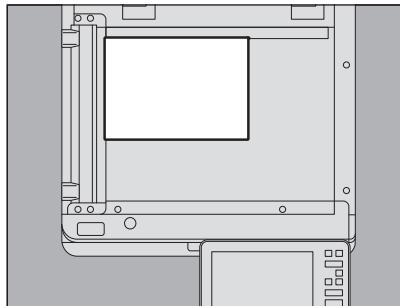
□ Description of original/paper direction

Paper or originals of A4, B5 or LT size can be placed either in a portrait direction or in a landscape direction. In this manual, “-R” is added to this paper size when this size of paper or original is placed in a landscape direction.

e.g.) A4 size original on the original glass



Placed in a portrait direction: A4



Placed in a landscape direction: A4-R

Paper or originals of A3, B4, LD or LG can only be placed in a landscape direction, therefore “-R” is not added to these sizes.

□ Optional equipment

For the available options, refer to the **Quick Start Guide**.

□ Screens in this manual

- The details on the screens may differ depending on your model and how the equipment is used, such as the status of the installed options, the OS version and the applications.
- The illustration screens used in this manual are for paper in the A/B format. If you use paper in the LT format, the display or the order of buttons in the illustrations may differ from that of your equipment.

❑ Abbreviations in this manual

In this manual, “Dual Scan Document Feeder” (DSDF) and “Reversing Automatic Document Feeder” (RADF) are collectively referred to as “Automatic Document Feeder” (ADF).

In this manual, “Dual Scan Document Feeder” is referred to as “DSDF” and “Reversing Automatic Document Feeder” as “RADF”.

❑ Trademarks

For trademarks, refer to the ***Safety Information***.

CONTENTS

Preface	3
How to read this manual	3

Chapter 1 LOADING PAPER

Precautions for Paper	8
Acceptable paper	8
Unacceptable copy paper	8
Precautions for storing copy paper	10
Loading Paper in Trays	11
Paper Feed Unit for this equipment.....	11
Envelope Drawer.....	15
Large Capacity Feeder	19
Doing Paper Settings	21
Setting paper size	21
Setting paper type	23
Clearing the set paper type	26
Loading Paper on the MPT	27
Standard size paper on the MPT	29
Envelopes on the MPT	30
Tab paper on the MPT.....	32
Non-standard paper on the MPT.....	33
Long custom size paper on the MPT	34

Chapter 2 PLACING ORIGINALS

Precautions for Originals	38
Acceptable originals	38
Unacceptable originals.....	39
Placing Originals	40
Placing originals on the original glass	40
Book-type originals.....	41
Using the ADF	42

Chapter 3 OPERATING STAPLING MANUALLY

Stapling Using the Finisher	48
--	-----------

INDEX	49
--------------------	-----------

LOADING PAPER

This chapter explains how to set paper for this equipment.

Precautions for Paper	8
Acceptable paper	8
Unacceptable copy paper	8
Precautions for storing copy paper	10
Loading Paper in Trays	11
Paper Feed Unit for this equipment.....	11
Envelope Drawer	15
Large Capacity Feeder	19
Doing Paper Settings	21
Setting paper size	21
Setting paper type	23
Clearing the set paper type	26
Loading Paper on the MPT	27
Standard size paper on the MPT	29
Envelopes on the MPT	30
Tab paper on the MPT.....	32
Non-standard paper on the MPT.....	33
Long custom size paper on the MPT	34

Precautions for Paper

■ Acceptable paper

The paper that is acceptable differs depending on your model or the tray to be used.
To learn more about accepted paper and recommended paper, refer to the **Specifications Guide**.

Notes

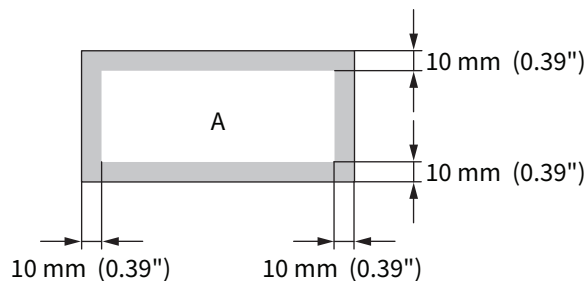
- Do not place paper with mixed sizes or types in the same tray.
- Be sure that the height of the stacked paper does not exceed the line indicated on the guides.
- Printing quality or performance may deteriorate depending on the condition or using environment of the paper type.

□ Printable recommended area for envelopes

You can print envelopes in the area on the addressing face shown below. Some kind of envelopes which have three-ply structures may occur faint printing, dirt with streaks or wavy curl even if you print the envelopes in the printable recommended area.

Do not print the back side of the addressing face.

When you cannot obtain an expected print result, contact your service representative.

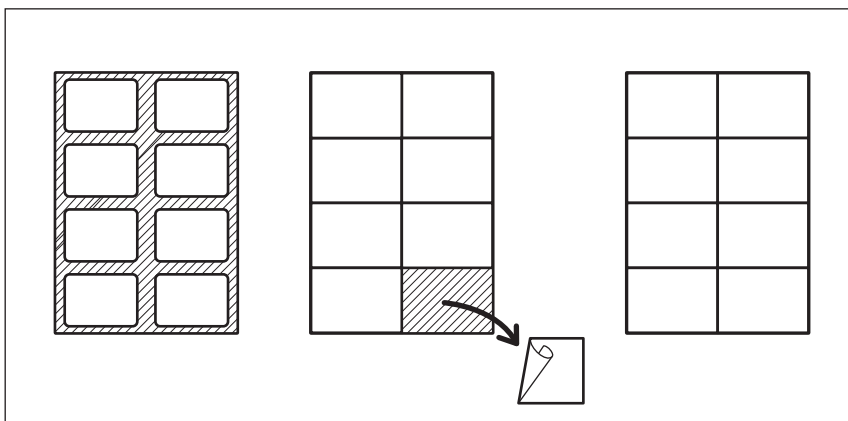


A: Printable recommended area

■ Unacceptable copy paper

Do not use the types of paper listed below since they may cause paper jams or an equipment malfunction.

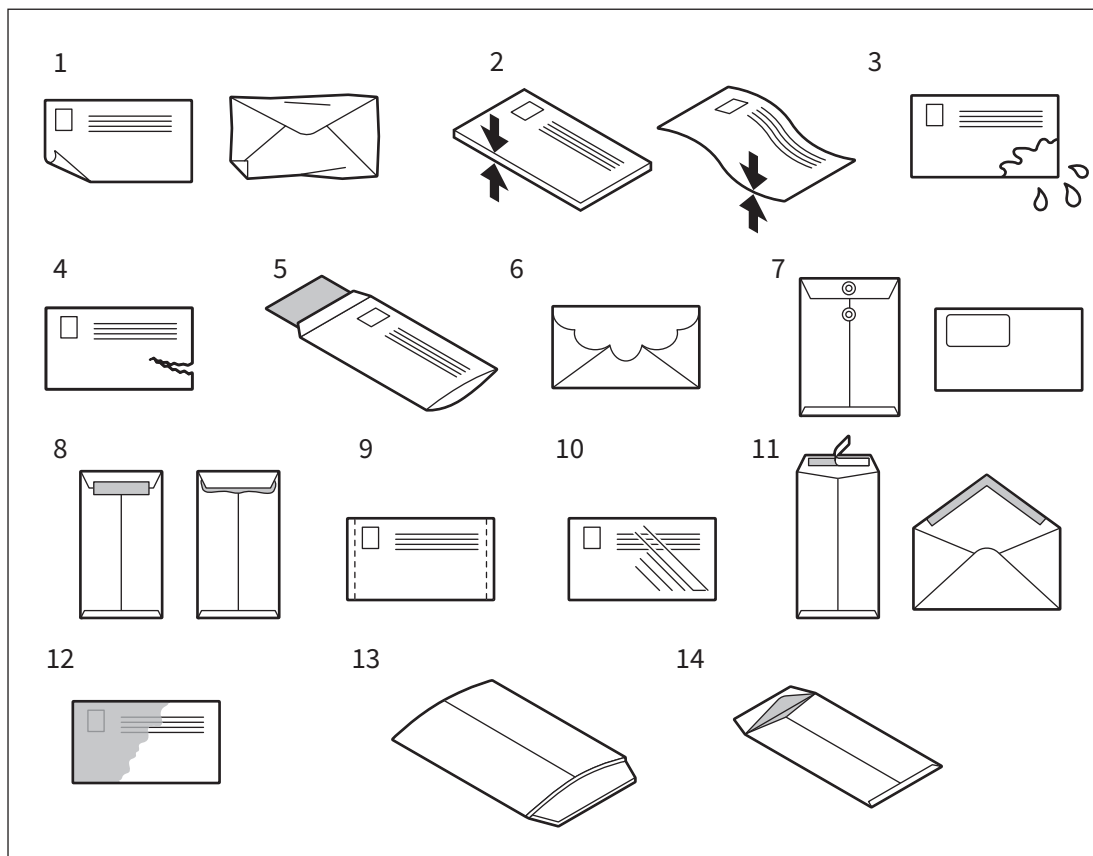
- Damp paper
- Folded paper
- Curled or creased paper
- Paper whose surface is extremely smooth or rough
- Paper whose surface has had special treatment
- Paper once printed or used on one side
- Sticker labels shown below
 - The released paper is visible since its label has been punched out
 - The released paper is visible since a part of its label has peeled off
 - A sticker label which has been cut



❑ Notes for using envelopes

Do not use the following envelopes as they may cause paper jamming or damage to the equipment.

1. Badly curled, wrinkled, folded or twisted envelopes
2. Extremely thick or thin envelopes
3. Wet or damp envelopes
4. Torn envelopes
5. Envelopes which include the contents
6. Envelopes with a special shape
7. Envelopes with eyelets or windows
8. Envelopes sealed with adhesive paste or tape
9. Partly-opened or perforated envelopes
10. Envelopes with special coating on the surface
11. Envelopes with double-sided adhesive tape and its protector paper
12. Envelopes which are stored for a long time and become discolored
13. Envelopes made of cardboard
14. Envelopes composed of multiple layers of paper



Notes

- Store envelopes at room temperature and away from heat and moisture.
- Paper wrinkling may occur after printing depending on environment or the envelope type or condition. We recommend printing paper as a sample before doing so in large amounts.

■ Precautions for storing copy paper

Make sure of the following when storing copy paper:

- Wrap the paper in its wrapping to keep it free from dust.
- Avoid direct sunlight.
- Store in a damp-free space.
- To prevent paper from being folded or bent, store it in a flat place.

Loading Paper in Trays

Follow the procedure below to place paper in the tray, Paper Feed Unit, Paper Feed Pedestal, or Additional Drawer Module. For acceptable paper, refer to the **Specifications Guide**.

⚠ CAUTION

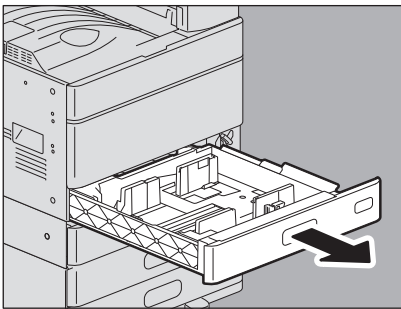
- **Be careful not to let your fingers be caught when pushing the tray into this equipment.**
This could injure you.
- **Be careful not to cut your fingers when fanning.**
This could injure you.

Notes

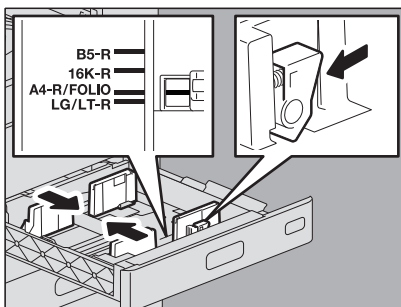
- Fan and jog the stack of paper well before you place it in a tray, or the sheets may not be separated before being fed.
- Place paper with its copy side up. The copy side may be noted on its wrapping paper.
- Never put anything in a vacant space in the tray after the paper has been loaded. Otherwise, it may cause paper jams or an equipment malfunction.

■ Paper Feed Unit for this equipment

- 1 Pull out a tray carefully until it comes to a stop.



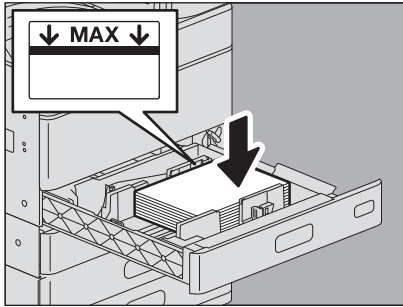
- 2 While holding the green lever of the side guide in the direction of the arrow, set the side guide to the paper size (E.g. A4-R).



Tip

Adjust the side guides with both hands.

3 Place paper in the tray.



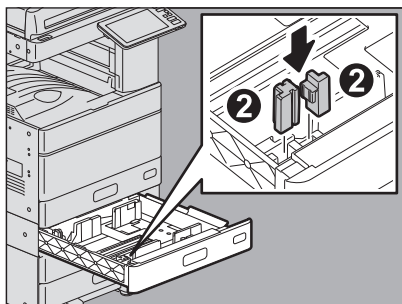
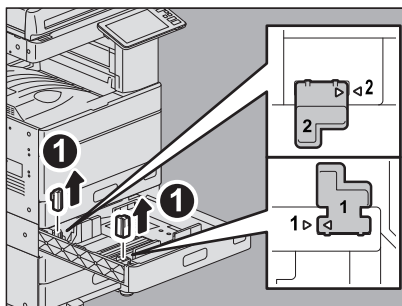
Notes

- The maximum number of sheets that can be loaded in a tray differs depending on your model. Be sure that the height of the stacked paper does not exceed the line indicated inside of the side guides. For the maximum number of sheets that can be loaded, refer to the **Specifications Guide**.
- If paper cannot be fed, printing takes a long time after feeding or the quality is poor, turn over the paper and place it again.

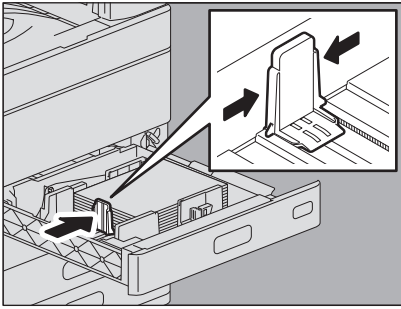
When placing 320 mm x 450 mm paper, etc.

When placing the following sizes of paper in the second tray, the Paper Feed Pedestal, or the Additional Drawer Module, remove the green guides 1 and 2, and then insert them in the front pocket of the tray.

- 305 mm x 457 mm
- 320 mm x 450 mm
- 320 mm x 460 mm
- 12" x 18"

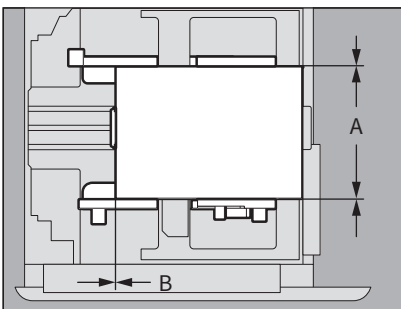


- 4 Move the end guide to the trailing edge of the paper while pushing its lower part in the direction of the arrows.**



- 5 Check that there is no gap between the paper and the side guides, as well as the paper and the end guide.**

If the gap is too wide, it could cause paper jamming, or the paper size could not be correctly detected.



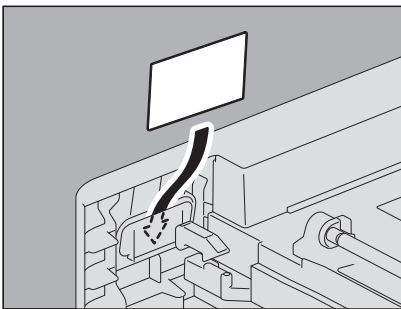
Between the paper and side guides (“A” in the figure):

Make sure there is no gap. (0.5 mm (0.02”) or less on one side, 1.0 mm (0.04”) or less in total) However, if paper jamming occurs, make a gap.

Between the paper and end guide (“B” in the figure):

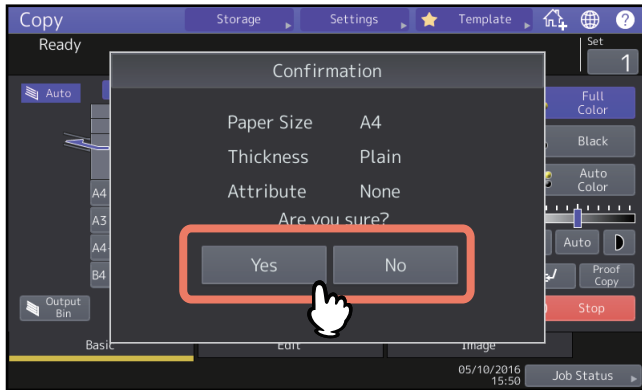
Make sure there is no gap. (0.5 mm (0.02”) or less)

- 6 Change the paper size indicator if required.**



- 7 Push the tray straight into this equipment carefully until it comes to a stop.**
The paper size is automatically detected.

8 The confirmation screen appears. If the status is correct, press [Yes].



Tips


- The menu above may not appear depending on the setting of this equipment. If it is not, check that the correct paper size appears in the equipment status indication area on the menu screen.
- If you want to change the setting for displaying this menu, ask your administrator.
- During printing from the Paper Feed Pedestal, if you place paper in another tray, there may be a delay in detecting the amount of remaining paper.
- If the detected paper size or type differs from the actual one, see the following pages to change the paper size or type.
 - 📖 P.21 "Setting paper size"
 - 📖 P.23 "Setting paper type"

If you press [Yes], the procedure is completed.

Envelope Drawer

In the envelope drawer, you can load envelopes as well as standard size paper such as A4. To learn more about accepted paper, refer to the **Specifications Guide**.

For how to handle envelopes to load, see the following page:

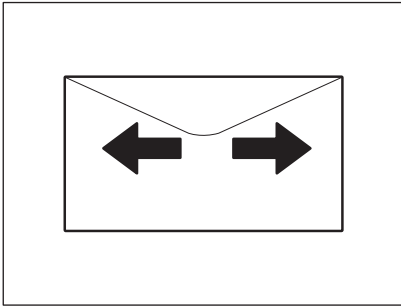
 P.9 "Notes for using envelopes"

Note

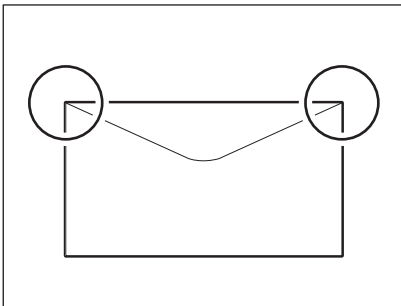
Every 10 copies, take the envelopes out from the stacker.

1 Place the envelope on a flat clean surface and press it with your hands in the direction of the arrow to expel any air.

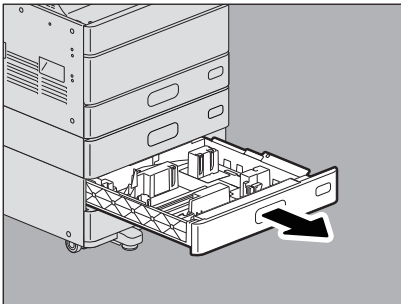
Press it well to prevent the flap from rolling upward.



Correct any bent corners on the envelope.

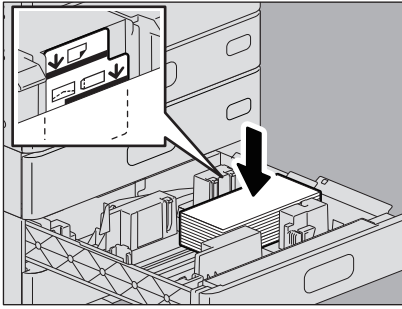


2 Pull out a tray carefully until it comes to a stop.



3 Load paper in the tray.

Load paper with its face up.

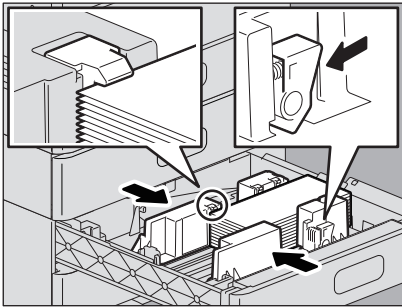


Load an envelope with its bottom side at the rear and its flap side at the front. If the flap of the envelope touches the side guide, fold the flap and load the envelope.

Notes

- Be sure that the height of the stacked paper does not exceed the line indicated inside of the side guides. For maximum number of sheets to be loaded, refer to the **Specifications Guide**.
- Printing may be uneven depending on the envelope types.
- If printing is uneven or if paper jamming occurs, try the following:
 - Place fewer sheets.
 - Expel any air inside the envelope.
 - Flatten a fold of the envelope.

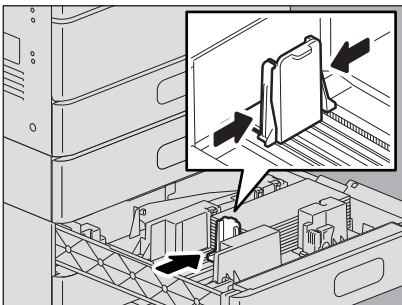
4 While holding the green lever of the side guide in the direction of the arrow, set the side guide to the paper size.



Tip

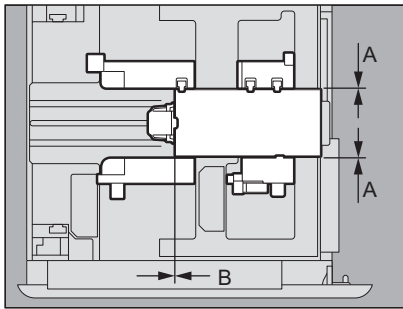
Adjust the side guides with both hands.

5 Move the end guide to the trailing edge of the paper while pushing its lower part in the direction of the arrows.



6 Check that there is no gap between the paper and the side guides, as well as the paper and the end guide.

If the gap is too wide, it could cause paper jamming, or the paper size could not be correctly detected.



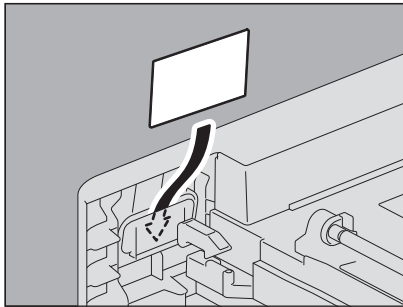
Between the paper and side guides (“A” in the figure):

Make sure there is no gap. (0.5 mm (0.02") or less on one side, 1.0 mm (0.04") or less in total) However, if paper jamming occurs, make a gap.

Between the paper and end guide (“B” in the figure):

Make sure there is no gap. (0.5 mm (0.02") or less)

7 Change the paper size indicator if required.



8 Push the tray straight into this equipment carefully until it comes to a stop.

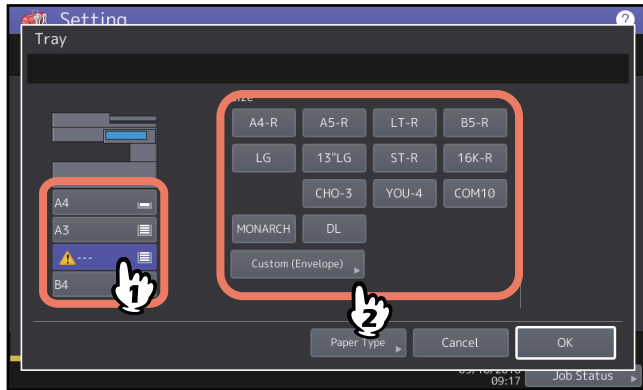
The paper size setting screen appears.

Note

The size of paper loaded in the envelope drawer is not automatically detected. Follow the procedure below to change the paper size and type.

9 Open [Setting -User-] on the Home screen > [Tray].

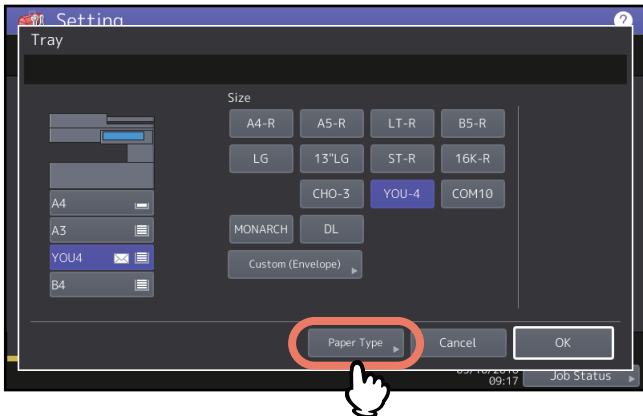
10 Select the desired tray and change the paper size.



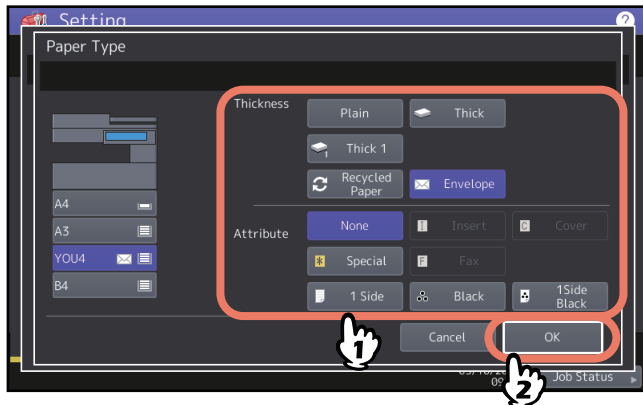
Notes

- The acceptable standard envelope sizes are as follows: DL (110 mm x 220 mm), COM10 (4 1/8" x 9 1/2"), Monarch (3 7/8" x 7 1/2"), CHO-3 (120 mm x 235 mm), and YOU-4 (105 mm x 235 mm).
- You can also set envelope sizes which are not registered as the standard sizes. Press [Custom (Envelope)] and enter the size. To learn more about accepted sizes and recommended envelopes, refer to the **Specifications Guide**.
- You can also set standard size paper other than envelopes.

11 Press [Paper Type].



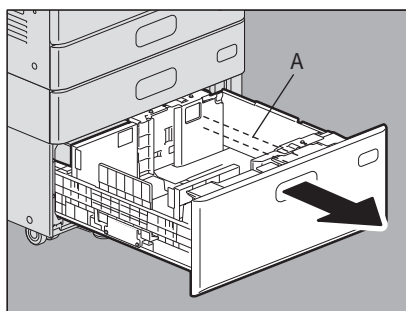
12 Select the paper type and press [OK].



13 Press [OK].

Large Capacity Feeder

- 1 Pull out the tray of the Large Capacity Feeder carefully until it comes to a stop.

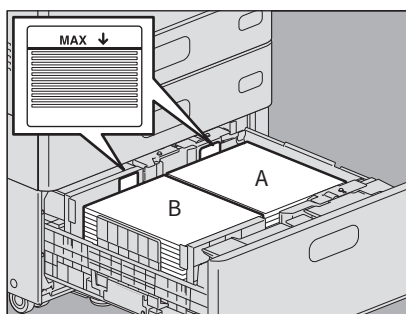


⚠ CAUTION

Do not touch the slide rail (“A” in the figure on the right).

This could injure you.

- 2 Place 2 stacks of paper in the right and left trays correspondingly.



Fan and jog the paper well before placing it. Place it with its copy side up. Place one stack of paper in the right-hand tray (shown as “A” in the figure) with its side touching the right corner of the tray, and place the other stack of paper in the left-hand tray (shown as “B” in the figure) with its side touching the left corner of the tray. Paper can be placed neatly if you divide stacks into small bundles and pile them up on the two trays alternately.

Notes

- Paper in the right-hand tray is used first. When it runs out, paper in the left-hand tray will be moved automatically to the right-hand tray and fed.
- Be careful that the stack height of the paper does not exceed the line indicated inside the side guides. For maximum number of sheets to be loaded, refer to the **Specifications Guide**.
- When placing paper, be sure that the center lever is not open. (See the label attached in the tray of the Large Capacity Feeder.)
- If paper cannot be fed, printing takes a long time after feeding or the quality is poor, turn over the paper and place it again.

- 3 Push the tray of the Large Capacity Feeder straight into this equipment carefully.

When the tray is completely inserted, the right-hand tray will move up to the paper feeding position.

⚠ CAUTION

Be careful not to let your fingers be caught when pushing the tray into this equipment.

This could injure you.

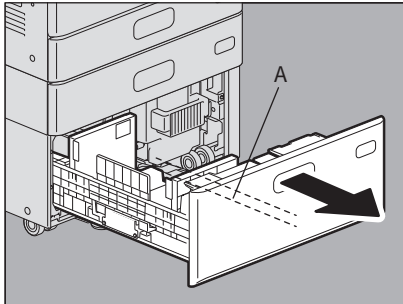
- 4 Change the paper type as required.

📖 P.23 “Setting paper type”

❑ Adding paper in the Large Capacity Feeder during printing

When the paper on the left tray of the Large Capacity Feeder has run out during printing or copying, “Paper for left tray can be added.” appears. You can pull out the Large Capacity Feeder and add paper to the left tray without stopping printing. This is useful when you wish to make a large amount of copies or printouts quickly.

- 1 Pull out the tray of the Large Capacity Feeder carefully until it comes to a stop.**
Only the left tray will come out.

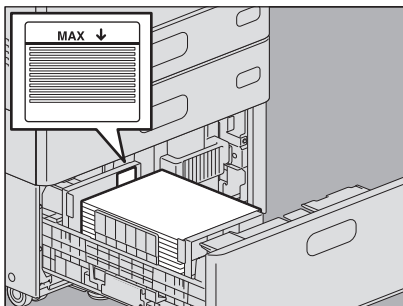


⚠ CAUTION

Do not touch the slide rail (“A” in the figure on the right).

This could injure you.

- 2 Place paper on the left tray.**
Place paper aligning to the left-hand side of the tray.



- 3 Push the tray of the Large Capacity Feeder straight into this equipment carefully.**
When the paper on the right tray has run out, that on the left tray will be automatically shifted to the right tray.

⚠ CAUTION

Be careful not to let your fingers be caught when pushing the tray into this equipment.

This could injure you.

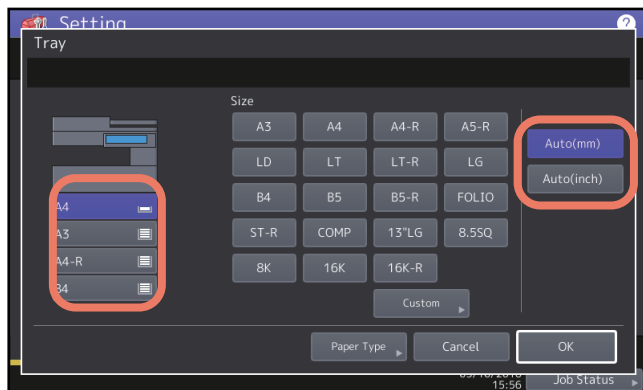
Note

Do not slam the tray shut. Stacked sheets may collapse and they cannot be transported correctly.

■ Setting paper size

The paper size is automatically detected when the paper is loaded in a tray.

To automatically detect the size of paper placed in a tray:



Press [Setting -User-] on the Home screen > [Tray] and select the desired tray on the displayed screen. Select [Auto (mm)] when A/B format paper is loaded and [Auto (inch)] when LT format paper is loaded. The paper sizes for all trays are preset to [Auto (mm)] or [Auto (inch)] depending on your region. If you do not need to change the setting, you do not need to do this procedure.

Notes

If the displayed size differs from the actual one or if “⚠️---” appears, the paper size is not correctly detected. Check the following points:

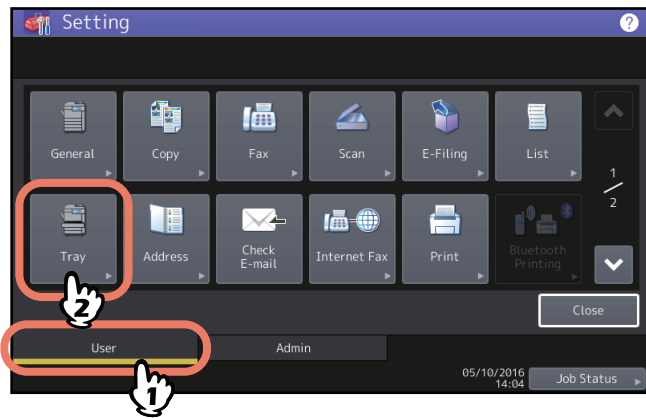
- Make sure that paper with an acceptable size is loaded in a tray.
To learn about the acceptable paper sizes when you load paper in a tray, refer to the **Specifications Guide**.
- Make sure that paper with a standard size is loaded in a tray.
Press [Custom] and set the paper size manually.
📖 P.22 “Setting paper with non-standard sizes”
- Make sure that the gaps between the paper and the side guide and the paper and the end guide are not too wide.
Set the paper, side guide and end guide in the correct positions again.
📖 P.11 “Loading Paper in Trays”
- Make sure that [Auto (inch)] is not selected when A/B format paper is loaded. Make sure that [Auto (mm)] is not selected when LT format paper is loaded.
Press the button according to the paper format and load paper again.

If the displayed size differs from the actual one even if you load standard size paper, set the paper size manually. If you want to change the size manually, the administrator needs to change the setting. For details, refer to the **MFP Management Guide**.

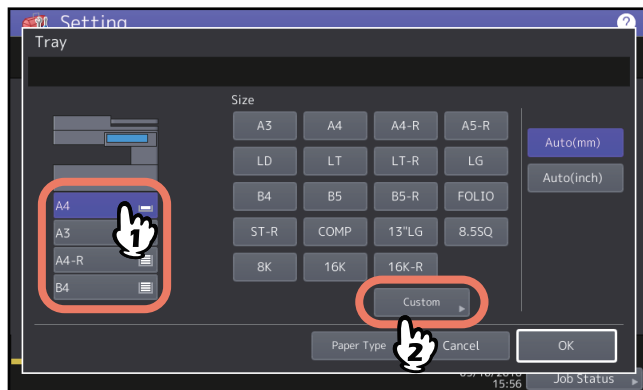
❑ Setting paper with non-standard sizes

1 Press [Setting -User-] on the Home screen.

2 Press the [User] tab > [Tray].

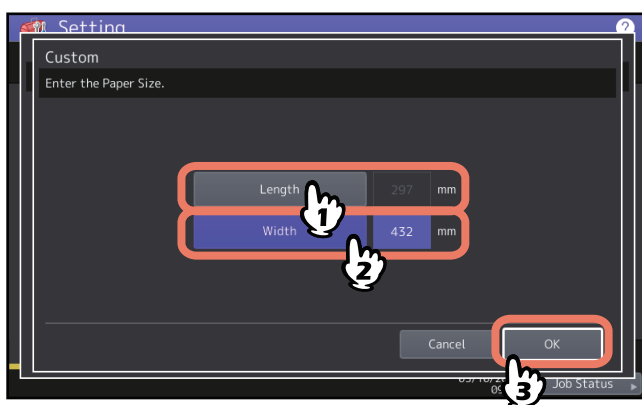


3 Select the desired tray and press [Custom].



4 Enter the size and press [OK].

Press [Length] or [Width] and enter the values.

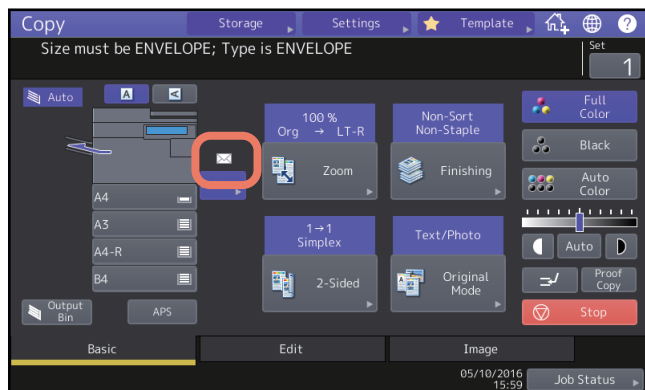


■ Setting paper type

When you place any special paper other than plain paper or that not used for normal copying, you need to set the thickness and attribute into this equipment. For acceptable paper type, refer to the **Specifications Guide**.

The set paper type appears on the equipment status indication area with an icon.

When you select a paper type, you can confirm it with the icons displayed on the equipment status indication area as shown below.



Thickness (Paper Feed Unit, Paper Feed Pedestal, Large Capacity Feeder, Envelope Drawer)

Icon	Thickness
—	Plain
	Thick
	Thick 1 ^{*1}
	Thick 2 ^{*1}
	Thick 3 ^{*1}
	Recycled Paper
	Envelope ^{*2}

*1 These types of paper cannot be accepted for the Large Capacity Feeder.

*2 The icon of this type of paper is accepted only when the envelope drawer is used.

Thickness (MPT)

Icon	Thickness	Icon	Thickness
—	Plain		Transparency
	Thin		Recycled Paper
	Thick		Special 1 ^{*1}
	Thick 1		Special 2 ^{*1}
	Thick 2		Special 3 ^{*1}
	Thick 3		Envelope
	Thick 4		

*1 Select Special 1 and Special 2 when you use waterproof paper, and select Special 3 when you use coated paper.

Attribute

Icon	Thickness	Description
—	None	No attribute specified
I ₁ , I ₂	Insert	Sheets used in the sheet insertion mode To learn how to use the sheet insertion mode, refer to the Copying Guide . Up to 2 types of sheets (Insertion sheets 1 and 2) can be set. To set Insertion sheet 1 and 2, select the tray for Insertion sheet 1 and press [Insert], and then select a tray for Insertion sheet 2 and press [Insert].
C	Cover	Sheets used in the cover sheet mode To learn how to use the cover sheet mode, refer to the Copying Guide .
*	Special	Colored paper or paper with watermarks, etc.
F	Fax ^{*1, *2, *3}	Fax paper
☰	1 Side	Only 1-sided copy allowed
●●	Black	Only black and white copy allowed
☐●	1 Side Black	Only 1-sided black and white copy allowed

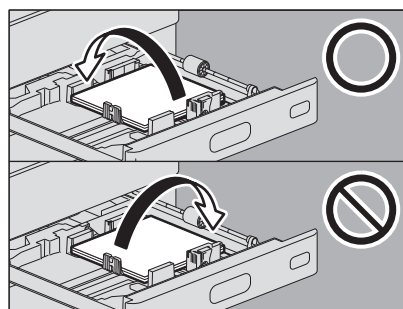
*1 Fax transmission and reception is available only when the FAX Unit is installed.

*2 When lists are printed, paper set as “Fax” is used. For printing lists, refer to the **MFP Management Guide**.

*3 When “Rotate Sort” is turned ON for Rx printing in the Fax menu, “Fax” cannot be set for attribute. For how to set Rx printing, refer to the **GD-1370 Fax Guide**.

Notes

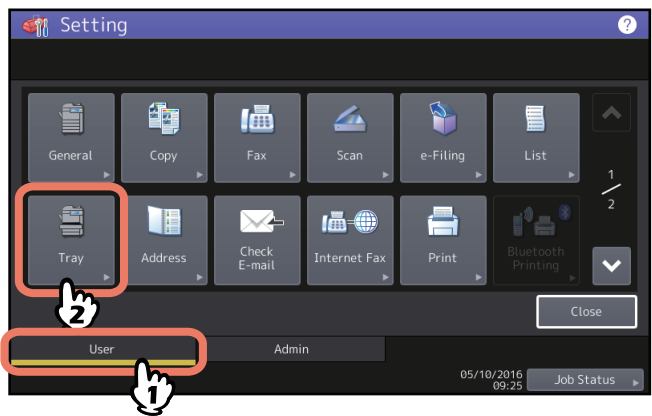
- If you select a wrong paper type, this could cause a paper jam or significant image trouble.
- If paper cannot be fed, printing takes a long time after feeding or the quality is poor, turn over the paper and place it again as shown in the figure or place fewer sheets.



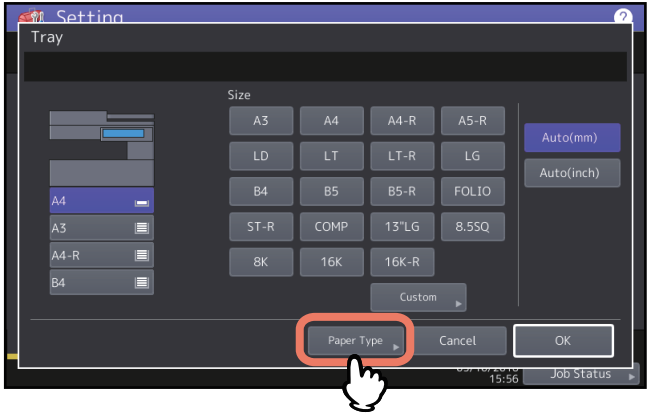
Tips

- The thickness and attribute can be set together.
- When the thickness “Thick” or “Thick 1, 2 or 3”, or an attribute other than “None” is set for a tray, the paper placed in this tray will not be used for the automatic paper selection mode.
- When an attribute other than “None” is set for a tray, the Automatic Change of Paper Source function (Feeding the same size of paper from a different tray even if the specified tray from which paper is being fed is empty) is disabled for the paper in this tray.
For how to set Automatic Change of Paper Source, refer to the **MFP Management Guide**.

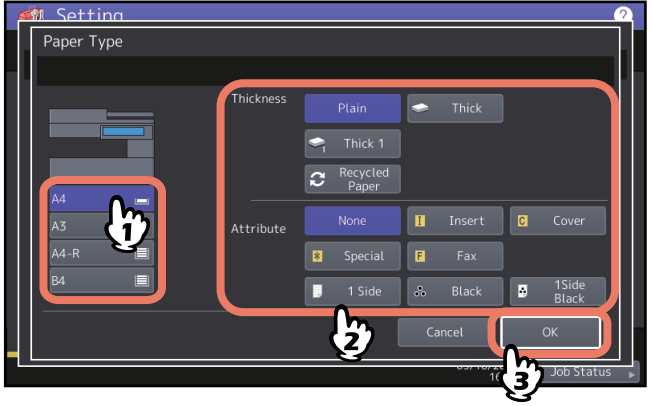
- 1 Press [Setting -User-] on the Home screen.
- 2 Press the [User] tab > [Tray].



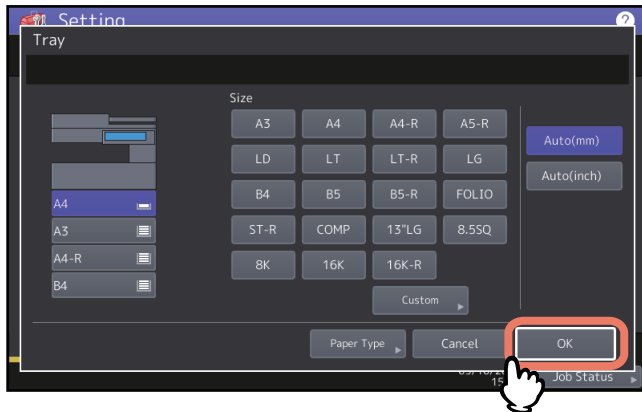
- 3 Press [Paper Type].



- 4 Select the desired tray and paper type and press [OK].



5 Press [OK].



Tip

There is no affect on the printing quality though noise may occur during paper feeding depending on the paper type.

■ Clearing the set paper type

Press the tray button on the menu in step 4 of “Setting paper type”, and then press the paper type whose setting you want to clear.

Tip

If both Insert 1 and Insert 2 are set and you clear the setting of only Insert 1, the setting for Insert 2 automatically becomes the setting for Insert 1.

Loading Paper on the MPT

When you make copies on OHP film, sticker labels, envelopes, Thick 4 paper, or non-standard size paper, load the copy paper on the MPT. Using the MPT is also recommended for copying or printing on standard size paper which is not set in any of the trays.

⚠ CAUTION

Be careful not to cut your fingers when fanning.

This could injure you.

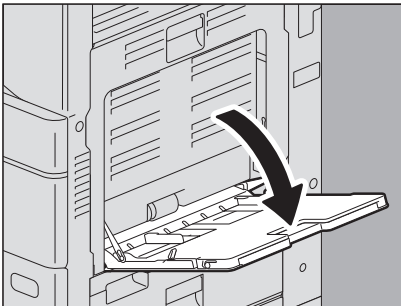
Notes

- The height of the paper must not exceed the indicator on the side guides. The maximum number of sheets varies depending on the paper type. For details, refer to the **Specifications Guide**.
- When you use more than one sheet of paper, fan the sheets well before placing them on the MPT. Otherwise, the sheets may not be separated before being fed.
- Do not push paper into the entrance of the MPT. This could cause a paper jam.
- When you print on sheets of OHP film, remove the copied OHP film one sheet at a time as they exit onto the receiving stacker. If the sheets of OHP film pile up, they may get curled and may not be projected properly.

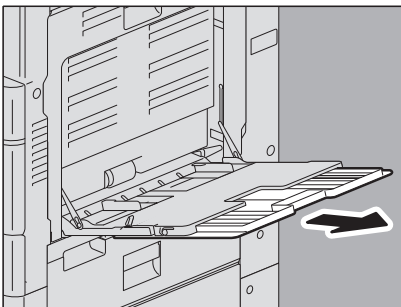
Tip

If you place the originals on the ADF for Copying from MPT and do not set the paper size, the originals will be copied upside down. Be sure to set the paper size when you wish to do Copying from MPT.

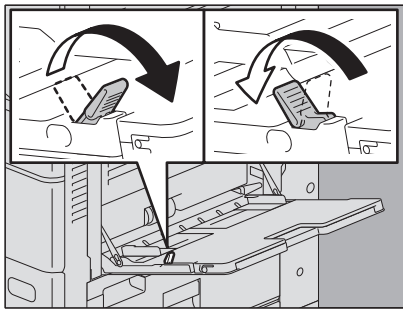
1 Open the MPT.



2 If the paper is large, pull out the paper holder.

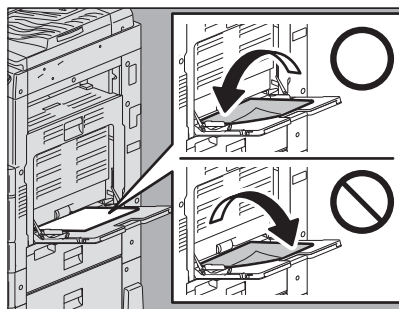


3 When placing or removing copy paper, move the paper holding lever toward the outside. After loading paper, move the paper holding lever back toward the equipment.



Tip

If paper cannot be fed, printing takes a long time after feeding or the quality is poor, turn over the paper and place it again as shown in the figure or place fewer sheets.



The operating procedure for using the MPT differs depending on the paper size to be used. See the table below for the operating procedure of each size.

Paper size		Procedure
Standard size	Other than North America: A3, A4, B4, B5 North America: LD, LT, LG, ST-R	📖 P.29 “Standard size paper on the MPT”
	Other than the above	
	Envelope	📖 P.30 “Envelopes on the MPT”
	Tab paper	📖 P.32 “Tab paper on the MPT”
Others (Non-standard sizes)		📖 P.33 “Non-standard paper on the MPT”
		📖 P.34 “Long custom size paper on the MPT”

Tips

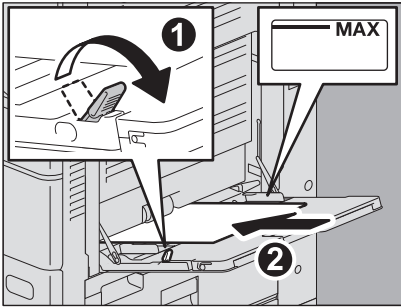
- Copying from MPT stops when the paper placed on the MPT runs out during printing, even if the paper of the same size is in any of the trays. Printing restarts when paper is supplied to the MPT.
- When you perform copying from MPT, the [RESET] button on the control panel blinks to indicate that copying has completed. Press this button to switch copying from MPT to normal copying using the trays. (Even if you do not press the [RESET] button, the copying from MPT mode will be cleared when the automatic function clear mode kicks in after a specified period of time.)

■ Standard size paper on the MPT

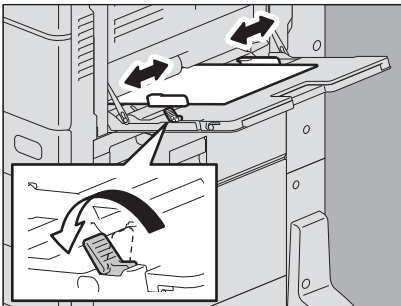
Notes

- Automatic 2-sided printing cannot be applied to some kind of paper in the MPT. For the paper which Automatic 2-sided printing cannot be applied to, refer to the **Specifications Guide**.
- For OHP films (Transparency), only 1-sided printing can be performed.
- If paper cannot be fed, printing takes a long time after feeding or the quality is poor, turn over the paper and place it again or place fewer sheets.

1 Move the paper holding lever toward the outside. Place paper with its print side down on the MPT.



2 Align the side guides to the paper length. Move the paper holding lever toward the equipment.



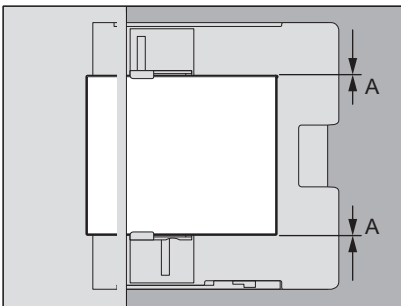
When paper is placed, the menu for MPT settings appears.

Tip

There is no affect on the printing quality though noise may occur during paper feeding depending on the paper type.

3 Check that there is no gap between the paper and the side guides.

If the gap is too wide, it could cause paper jamming, or the paper size could not be correctly detected.



Between the paper and side guides (“A” in the figure):

Make sure there is no gap. (0.5 mm (0.02") or less on one side, 1.0 mm (0.04") or less in total) However, if paper jamming occurs, make a gap.

4 Select the MPT during the operation for copying or printing and specify the paper size and thickness.

For details for the operation for copying or printing, refer to the *Copying Guide* or *Printing Guide*.

■ Envelopes on the MPT

For acceptable envelope, refer to the *Specifications Guide*.

For how to handle envelopes to load, see the following page:

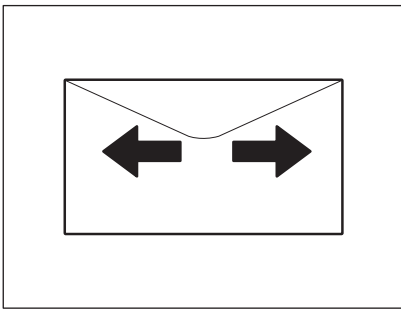
📖 P.9 “Notes for using envelopes”

Note

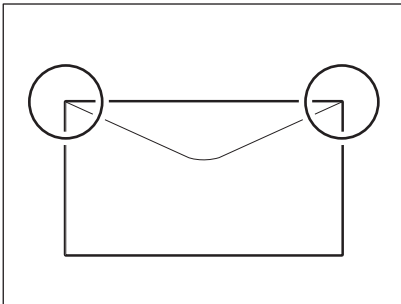
Every 10 copies, take the envelopes out from the stacker.

1 Place the envelope on a flat clean surface and press it with your hands in the direction of the arrow to expel any air.

Press it well to prevent the flap from rolling upward.

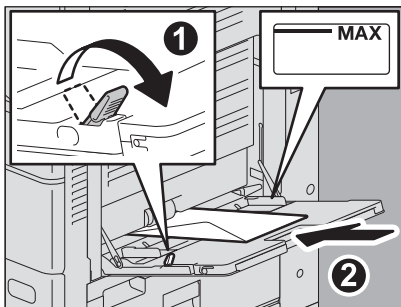


Correct any bent corners on the envelope.



2 Move the paper holding lever toward the outside. Place the envelope with its face down on the MPT.

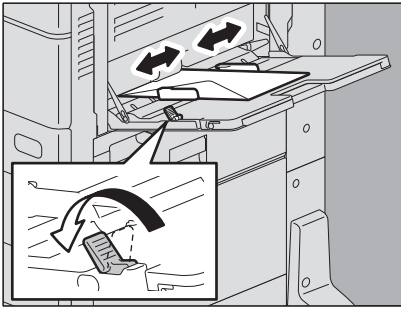
Place the envelope with its flap side at the front.



Note

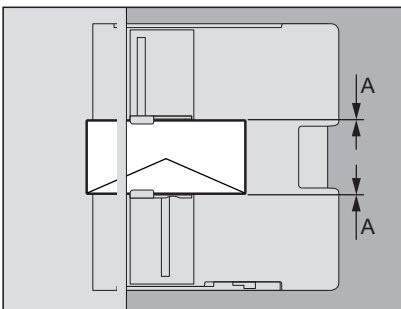
Printing may be uneven depending on the envelope types.

- 3 Align the side guides to the length of the envelope. Move the paper holding lever toward the equipment.**



- 4 Check that there is no gap between the paper and the side guides.**

If the gap is too wide, it could cause paper jamming, or the paper size could not be correctly detected.



Between the paper and side guides ("A" in the figure):

Make sure there is no gap. (0.5 mm (0.02") or less on one side, 1.0 mm (0.04") or less in total) However, if paper jamming occurs, make a gap.

- 5 Select the MPT during the operation for copying or printing and specify the paper size and thickness.**

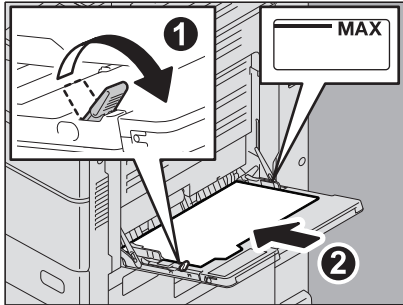
For details for the operation for copying or printing, refer to the *Copying Guide* or *Printing Guide*.

■ Tab paper on the MPT

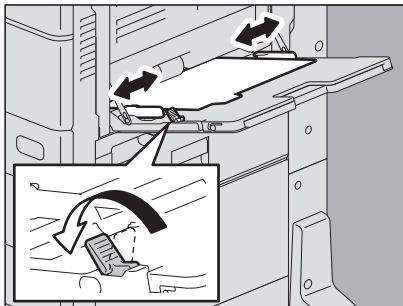
You can print on the tab extension of tab paper. For acceptable tab paper, refer to the *Specifications Guide*.

1 Move the paper holding lever toward the outside. Place paper with its print side down on the MPT.

Place the tab paper with the tab outside.



2 Align the side guides to the paper length. Move the paper holding lever toward the equipment.



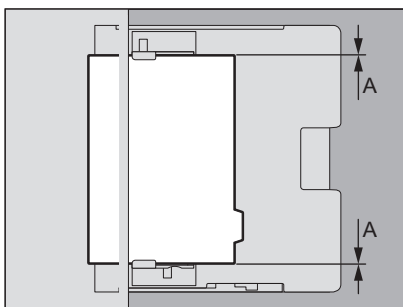
When paper is placed, the menu for MPT settings appears.

Tip

There is no affect on the printing quality though noise may occur during paper feeding depending on the paper type.

3 Check that there is no gap between the paper and the side guides.

If the gap is too wide, it could cause paper jamming, or the paper size could not be correctly detected.



Between the paper and side guides ("A" in the figure):

Make sure there is no gap. (0.5 mm (0.02") or less on one side, 1.0 mm (0.04") or less in total) However, if paper jamming occurs, make a gap.

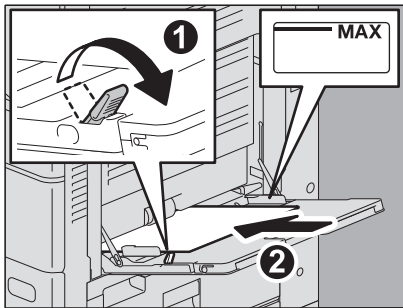
4 Specify the paper size during the operation for printing.

For details for the operation for printing, refer to the *Printing Guide*.

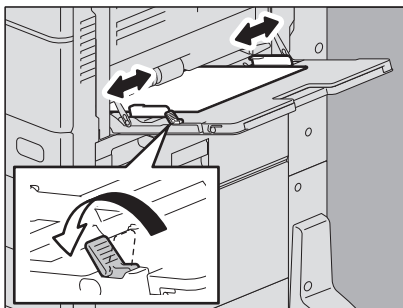
■ Non-standard paper on the MPT

You can also copy or print non-standard size paper. For paper size which can be set, refer to the *Specifications Guide*. To learn how to set the paper size, refer to the *Copying Guide* or *Printing Guide*.

- 1 Move the paper holding lever toward the outside. Place paper with its print side down on the MPT.**

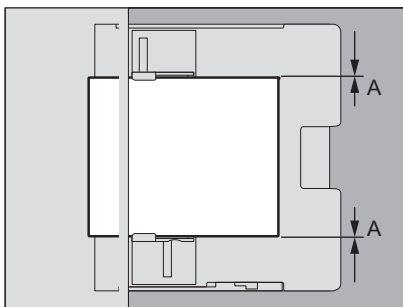


- 2 Align the side guides to the paper length. Move the paper holding lever toward the equipment.**



- 3 Check that there is no gap between the paper and the side guides.**

If the gap is too wide, it could cause paper jamming, or the paper size could not be correctly detected.



Between the paper and side guides ("A" in the figure):

Make sure there is no gap. (0.5 mm (0.02") or less on one side, 1.0 mm (0.04") or less in total) However, if paper jamming occurs, make a gap.

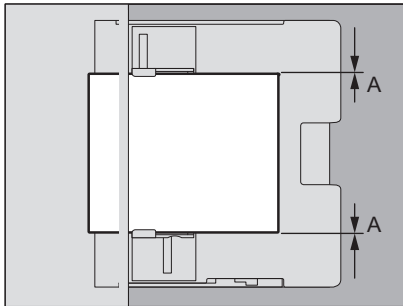
- 4 Select the MPT during the operation for copying or printing and specify the paper size and thickness.**

For details for the operation for copying or printing, refer to the *Copying Guide* or *Printing Guide*.

■ Long custom size paper on the MPT

In the printing function, you can also print the paper longer than the maximum standard paper size by setting it as a custom size. For paper size which can be set, refer to the **Specifications Guide**. To learn how to set the custom size, refer to the **Printing Guide**.

- 1 Move the paper holding lever toward the outside. Place paper with its print side down on the MPT.**
- 2 Align the side guides to the paper length. Move the paper holding lever toward the equipment.**
- 3 Check that there is no gap between the paper and the side guides.**
If the gap is too wide, it could cause paper jamming, or the paper size could not be correctly detected.



Between the paper and side guides ("A" in the figure):

Make sure there is no gap. (0.5 mm (0.02") or less on one side, 1.0 mm (0.04") or less in total) However, if paper jamming occurs, make a gap.

- 4 Select the MPT during the operation for copying or printing and specify the paper size and thickness.**
For details for the operation for copying or printing, refer to the **Copying Guide** or **Printing Guide**.

When the paper is being fed into the equipment from the MPT

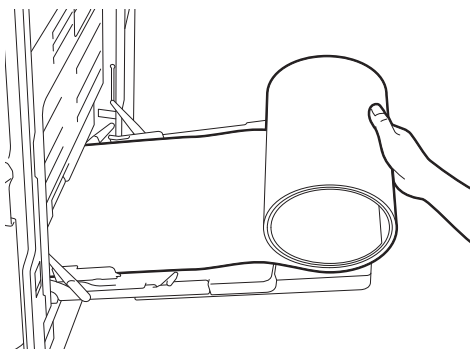
⚠ CAUTION

Be careful not to cut your fingers on the edge of paper when you hold it.

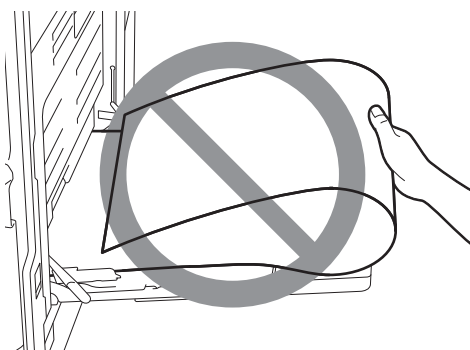
This could injure you.

Notes

- Do not mix different sizes of paper.
- Feed paper sheet by sheet from the MPT if you have set more than one copy in the number of copies setting.
- Slightly curl the paper. Hold it gently as it is being fed into the equipment.



- Make sure that the trailing edge of the paper will not be fed into the equipment while you are holding it.



- Printing is done at 300 dpi if the custom paper size is longer than the maximum standard paper size: for example, the maximum custom size is 12.01 x 47.24 inches (305 x 1200 mm). Even if 300 dpi or more is selected, it is changed to 300 dpi.

When the paper is coming out of the equipment

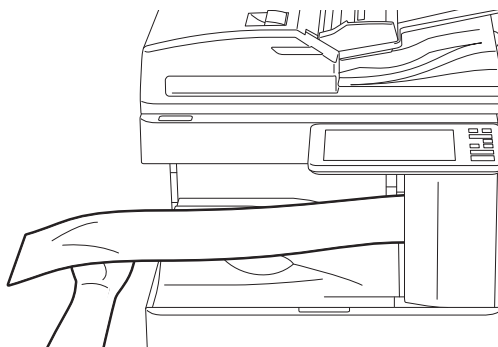
⚠ CAUTION

Be careful not to cut your fingers on the edge of paper when you hold it.

This could injure you.

Notes

- Support the paper gently as it is coming out of the equipment.



- Do not pull out the paper forcibly as it is exiting from the equipment.

PLACING ORIGINALS

This chapter explains how to place originals on this equipment.

Precautions for Originals	38
Acceptable originals	38
Unacceptable originals.....	39
Placing Originals	40
Placing originals on the original glass	40
Book-type originals.....	41
Using the ADF	42

Precautions for Originals

■ Acceptable originals

When the ADF (RADF or DSDF) is used, 2-sided originals can be automatically scanned one sheet after another. When the original glass is used, originals such as OHP films, tracing paper, booklet or 3-dimensional objects, that cannot be placed on the ADF can be scanned, as well as plain paper.

Location		Maximum size	Paper weight	Acceptable sizes for automatic size detection
Original glass		Length: 297 mm (11.69") Width: 432 mm (17.01")	—	Other than North America: A3, A4, A4-R, A5-R, B4, B5, B5-R, 8K, 16K, 16K-R North America: LD, LG, LT, LT-R, ST-R
ADF	RADF		1-sided originals: 35 - 157 g/m ² (9.3 - 41.8 lb.) 2-sided originals: 50 - 157 g/m ² (13.3 - 41.8 lb.)	Other than North America: A3, A4, A4-R, A5-R, B4, B5, B5-R, FOLIO North America: LD, LG, LT, LT-R, ST-R, COMP
	DSDF		1-sided originals: 35 - 209 g/m ² (9.3 - 41.8 lb.)* 2-sided originals: 50 - 209 g/m ² (13.3 - 41.8 lb.)*	

* For the originals whose paper weight is more than 157 g/m² (41.8 lb.), enough image quality may not be able to be obtained.

Notes

- Automatic size detection does not work properly when A/B format originals are used in equipment for North America. It does not work properly when LT format originals are used in equipment other than that for North America.
- Do not place any heavy objects (4 kg (9 lb.) or over) on the original glass and do not press on it with force.
- Be sure to place ST-size or A5-size originals in a landscape direction when using the ADF.
- A maximum of 1000 sheets can be scanned per 1 copy job or up until the embedded memory becomes full.

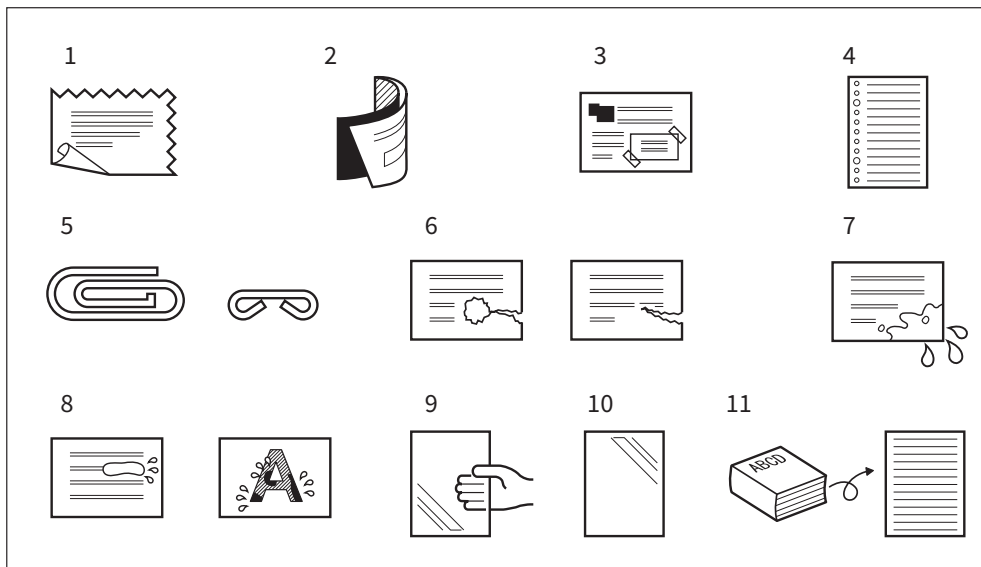
There are precautions in addition to the ones above regarding originals to be faxed. For details, refer to the **GD-1370 Fax Guide**.

■ Unacceptable originals

❑ Notes for using the ADF

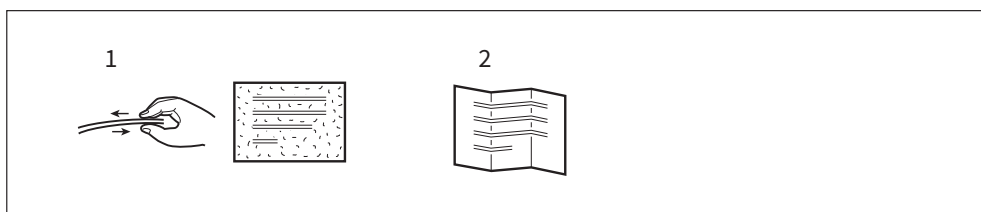
Do not load the types of originals shown below (1 to 10) in the ADF because such originals may cause jamming or damage to the equipment.

1. Badly wrinkled, folded or curled originals
2. Originals with carbon paper
3. Taped, pasted or cut-out originals
4. Originals with multiple perforations such as loose leaf paper
5. Clipped or stapled originals
6. Originals with holes or tears
7. Damp originals
8. Originals whose correction fluid or ink has not been dried completely
9. OHP films or tracing paper
10. Coated paper (with wax, etc.)
11. India paper (used for dictionaries, bibles, etc.)



Use the types of originals shown below (1 and 2) with extra care.

1. Originals that you cannot slide with your fingers or whose surface is specially treated
They should be fanned well before loading since they may not be able to be separated from each other at feeding.
2. Originals that are folded or curled
They should be smoothed out before being loaded.



Placing Originals

■ Placing originals on the original glass

The original glass can be used for originals such as OHP films or tracing paper, as well as plain paper, which cannot be loaded in the ADF.

⚠ CAUTION

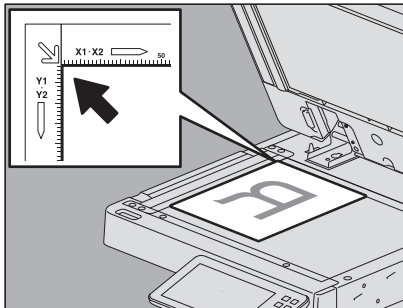
Do not place any heavy objects (4 kg (9 lb.) or over) on the original glass and do not press on it with force. Breaking the glass could injure you.

1 Raise the Original Cover or the ADF.

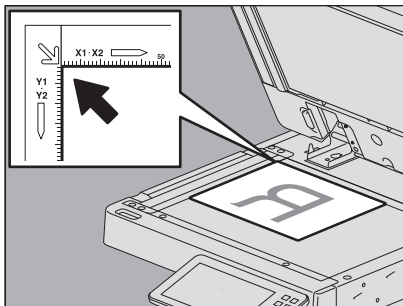
Note

Raise it 60 degrees or more so that the size of the original can be detected correctly.

2 Place the original with its face down on the original glass and align it with the left rear corner of the glass.

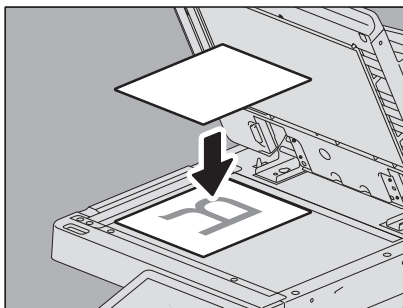


When you place original in a landscape direction



When you scan highly transparent original

When you scan highly transparent original such as OHP films or tracing paper, place a blank sheet, which is the same size as the original or larger, over the original.



3 Lower the Original Cover or the ADF carefully.

Tip

When it is being closed, the scanner lamp flashes to detect the original size.

■ Book-type originals

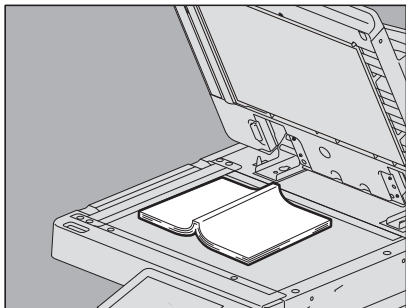
You can place book-type originals on the original glass.

⚠ CAUTION

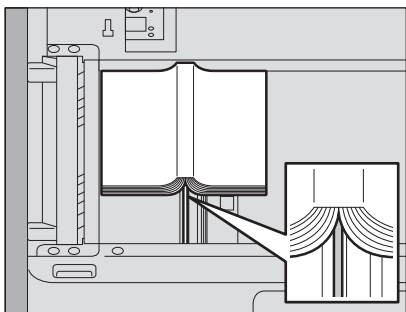
Do not place any heavy objects (4 kg (9 lb.) or over) on the original glass and do not press on it with force. Breaking the glass could injure you.

1 Raise the Original Cover or the ADF.

2 Open the desired page of the original and place it with its face down. Align it with the left rear corner of the original glass.



When you make 2-sided copies from book-type originals in modes such as book-type original to 2-sided copying or dual page copying, align the center of the original on the orange-colored indicator line of the original glass. For the instructions for the above functions, refer to the **Copying Guide**.



3 Lower the Original Cover or the ADF carefully.

Notes

- Do not lower it forcibly when the original is very thick. There will be no problem in scanning even if it is not fully lowered.
- Do not look directly at the original glass because intensive light may escape during scanning.
- If the original size is not detected correctly, press [Zoom] and select the desired original size. For details on how to set the size, refer to the **Copying Guide**.

Tip

When it is being closed, the scanner lamp flashes to detect the original size.

■ Using the ADF

❑ Precautions for using the ADF

Do not load unacceptable originals in the ADF.

📖 P.39 “Unacceptable originals”

If you scan mixed-size originals at a time or scan some types of paper of originals using the ADF, a distortion may occur on your scan result.

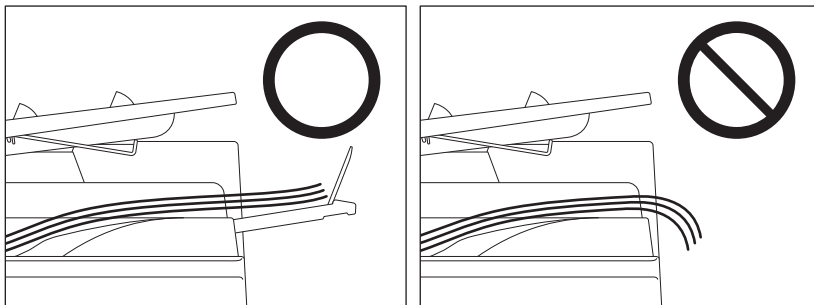
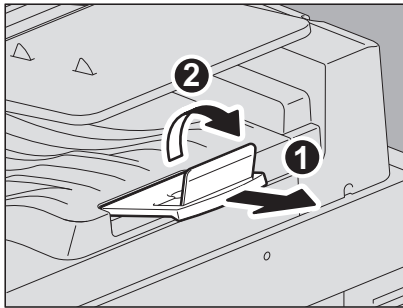
When black streaks appear on printouts

If the scanning area or the guide area is dirty, image trouble such as black streaks may occur on printouts. Weekly cleaning of these areas is recommended. For cleaning, refer to the **Quick Start Guide**.

For placing laterally-long originals at the RADF or using the DSDF

The original stopper prevents the scanned originals from falling off. Pull it out from the ADF and raise the sub-stopper. For using the RADF, if you do not raise the sub-stopper with laterally-long or large originals, paper jamming may occur.

For using the DSDF, if you do not raise the sub-stopper, paper jamming may occur depending on your paper or the exited originals may fall off the stacker.



Note

Lower the sub-stopper and slightly lift the original stopper to push it back in after you have finished using it.

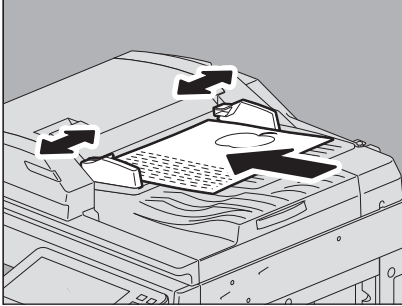
❑ Scanning originals with the ADF at copying

Place originals at the ADF.

1 Align all the originals.

Collate the originals in the order that you want them to be copied. The top sheet of the originals will be copied first.

2 Place the originals with their face up and align the side guides to the original length.



Notes

- When using the DSDF, originals are acceptable up to 300 sheets (35 to 80 g/m² (9.3 to 20 lb.)) or 38 mm (1.50") in height, regardless of their sizes.
- When using the RADF, originals are acceptable up to 100 sheets (35 to 80 g/m² (9.3 to 20 lb.)) or 16 mm (0.62") in height, regardless of their sizes.
- When using the DSDF, passages of a large number of originals with curled wavyly may cause paper jamming. In that case, reduce the number of the originals.
- For mixed-size originals, see the following page:
 P.45 "Scanning mixed-size originals in one operation"

Tip

When using the DSDF, the paper feeding tray will automatically move upwards in ten seconds after placing originals. The time until the tray moves upwards can be changed. For details, contact your service representative.

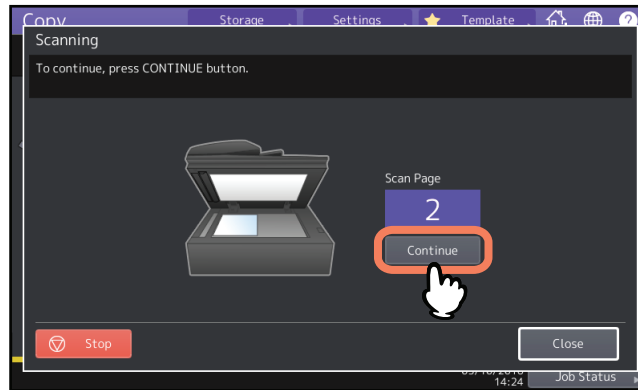
3 Set each mode in Copy/Scan/Fax and press the [START] button, the originals are scanned.

Tips

- In Scan and Fax, you can view your scans with the preview feature on the screen. For operations of the preview feature, refer to the **Scanning Guide** and **Fax Guide**.
- In Copy, the f can be changed when the originals are scanned.
 P.44 "Continuous feed mode (copy)"
 P.44 "Single feed mode (copy)"

Tip

When there are too many originals to be scanned at one time, divide the originals into several sets before copying. Place the first set of the originals and then press [Continue] on the touch panel while the data of this set are being scanned. When this scanning is finished, place the next set of the originals and press the [START] button on the control panel. (If you press [Continue], this button may not work shortly before scanning is finished.)



Continuous feed mode (copy)

The feeding mode is set at “continuous feed mode” by default. Once you set the originals and then press the [START] button, they are scanned page by page continuously. It is useful when you want to scan more than one original at one time.

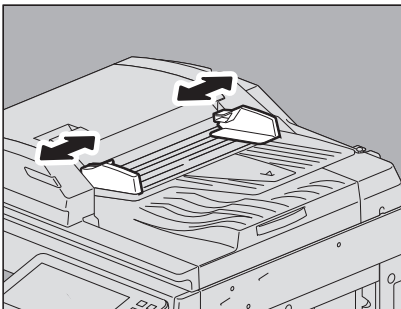
For how to set the feeding mode, refer to the **Copying Guide**. The way of placing originals is the same as Scan/Fax. [P.43 “Scanning originals with the ADF at copying”](#)

Single feed mode (copy)

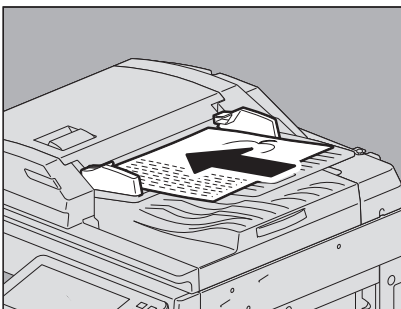
When the feeding mode is set at “single feed mode”, an original is fed automatically as it is placed on the ADF. It is useful when you want to scan only 1 original sheet.

For how to set the feeding mode, refer to the **Copying Guide**. Follow the procedures below to place paper.

1 Align the side guides to the original length.



2 Insert the original with its face up and straight along the side guides.

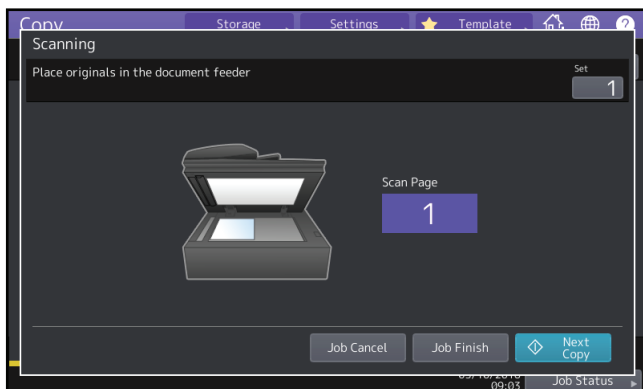


The original is automatically pulled in and then the menu of step 3 will be displayed on the touch panel.

Note

Be sure to let go of the original when it starts being pulled.

3 If there is another original, insert it in the same way.



4 After all the originals are pulled in, press [Job Finish].

Tip

If you want to stop copying, press [Job Cancel].

❑ Scanning mixed-size originals in one operation

You can copy or scan a set of originals whose sizes are individually different, using the ADF with the mixed size function.

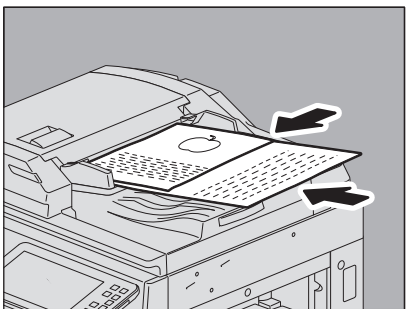
The original sizes that can be mixed are as follows:

North America: LD, LG, LT, LT-R, COMP

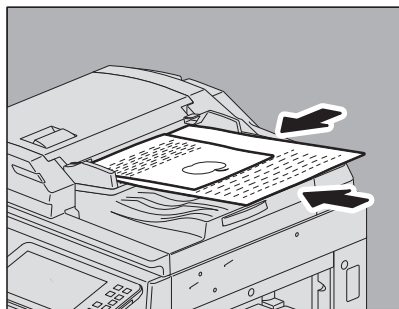
Other than North America: A3, A4, A4-R, B4, B5, FOLIO

1 Adjust the side guides to the widest original, and then align the originals against the side guide on the front side.

When original widths are the same



When original widths are not the same



For the operation with the mixed size function for originals, refer to the **Copying Guide** and **Scanning Guide**.

Note

When scanning originals of different widths, the copied image of the smaller one may be skewed because it does not touch the side guide on the rear side.

OPERATING STAPLING MANUALLY

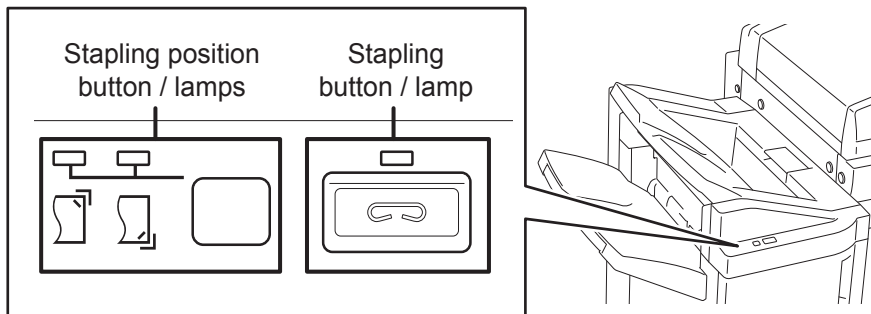
This chapter explains how to operate manual stapling using the Finisher or the Saddle Stitch Finisher.

Stapling Using the Finisher.....	48
---	-----------

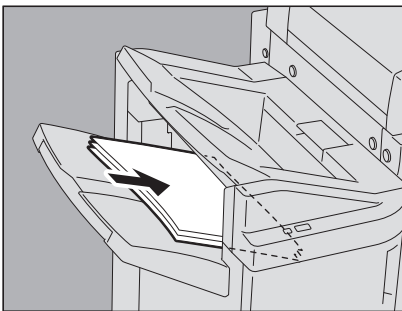
Stapling Using the Finisher

You can staple copied paper manually without any copying operation. This is useful when you have forgotten to set the staple sort mode before starting copying, or when you want to staple originals. For models supporting the manual staple mode and the maximum sheets that can be stapled for each model, refer to the **Specifications Guide**.

Use the buttons on the stapling control section of the Finisher for manual stapling.



- 1 Press the stapling button on the stapling control section.**
The manual staple mode starts.
- 2 Press the stapling position switching button to switch the staple position (front or rear).**
- 3 Place paper on the lower receiving stacker of the Finisher.**



Fan and jog the paper well. Place it with its face down.

When you staple them at their corner on the front side, place the sheets of paper aligned to the front side. When you staple them on the rear side, place the sheets of paper aligned to the rear side.

Tip

The stapling lamp lights when the paper is fully loaded and properly placed. If it does not light, replace the paper.

- 4 Let go of the paper, and then press the stapling button.**
Stapling starts. When the stapling position switching lamps start blinking, it means the stapling has finished. Then remove the stapled paper.

⚠ CAUTION

Be sure that your hands are away from the paper while stapling is in progress.

Finishing the manual staple mode

Remove the stapled paper from the lower receiving stacker, and then press the stapling button. The manual staple mode ends. If no operation is performed for approx. 15 seconds, the manual staple mode will be automatically finished.

INDEX

A	
A/B format	3
ADF (Automatic Document Feeder)	4
precautions	42
unacceptable originals.....	39
using the ADF	42
Automatic Document Feeder (ADF)	
precautions	42
unacceptable originals.....	39
using the ADF	42
C	
Continuous feed mode	44
D	
DSDF (Dual Scan Document Feeder).....	4, 38
acceptable originals	43
E	
End guide.....	13, 16
Envelope.....	30
F	
Feeding mode	44
L	
Large Capacity Feeder	19
Loading Paper	27
LT format	3
M	
Manual staple.....	48
MPT	27, 29, 30, 32, 33, 34
envelope.....	30
loading copy paper.....	27
long custom size paper	34
non-standard size paper	33
standard size paper	29
Tab paper.....	32
O	
OHP film.....	27, 29
Original glass.....	40
Original stopper	42
Originals	
acceptable originals	38
book-type originals	41
mixed-size originals.....	45
placing.....	40
using the ADF	42
P	
Paper	
paper size setting.....	21
paper type setting.....	23
placing.....	11, 19
precautions for storing copy paper.....	10
registering paper size	21
unacceptable copy paper.....	8
Paper holder	27
Paper holding lever	28, 29, 30, 32, 33, 34
Paper size indicator.....	17
Paper size setting	21
Paper type setting	23
R	
RADF (Reversing Automatic Document Feeder)	4, 38
acceptable originals.....	43
Recommended paper.....	8
Registering paper size	21
[RESET] button	28
S	
Side guides of the ADF	
(Automatic Document Feeder).....	43, 44
Side guides of the MPT.....	29, 31, 32, 33, 34
Side guides of the trays.....	11, 16
Single feed mode.....	44
Stapling control section.....	48
Sticker labels	27
T	
Trays	
placing paper	11

Oki Data Corporation
4-11-22 Shibaura, Minato-ku, Tokyo
108-8551, Japan

www.oki.com/printing/

