

Label Printer (Pro1040/Pro1050 Series)

Residual Risk

1. Map of Residual Risks That Require Protective Measures by Machine Users

Product name: Label Printer (Pro1040/Pro1050)

Be sure to carefully read and follow the instructions in this manual before operating the machine.

(This map of residual risks is a reference for the product's manuals.)

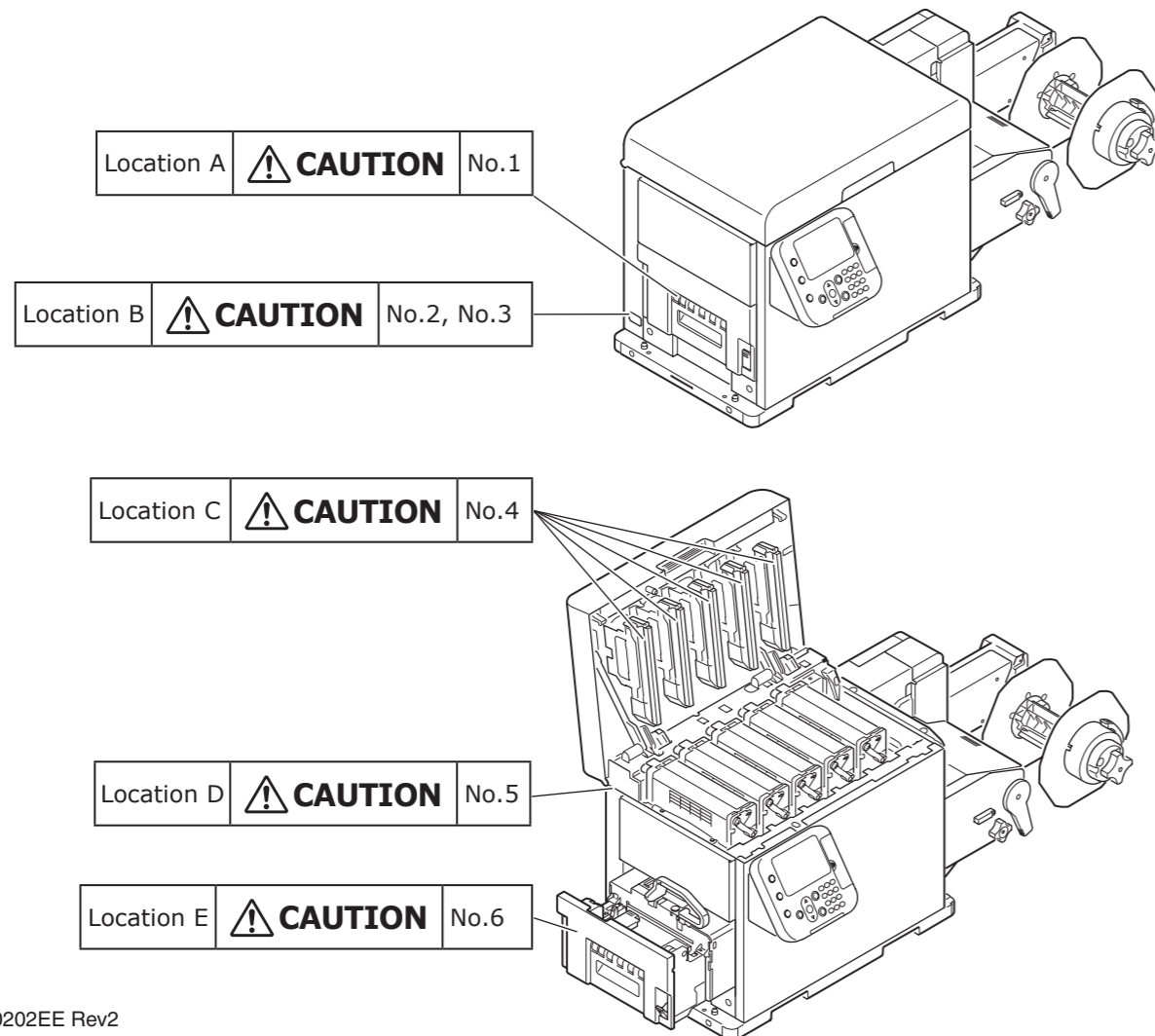
Cautions Related to Safety

⚠ WARNING Mishandling due to ignoring this symbol may cause death or serious injury.

⚠ CAUTION Mishandling due to ignoring this symbol may cause personal injury.

Residual Risk Map

The numbers shown in the diagrams indicate the numbers for the residual risk associated with the relevant locations, as described in the "List of Risks" for the product. For details about the various risks, refer to the "List of Risks".



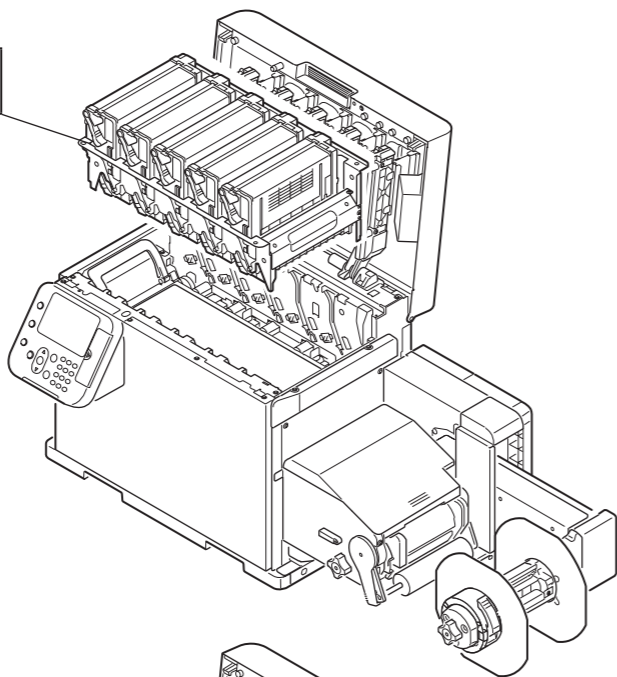
2. List of Residual Risks That Require Protective Measures by Machine Users

List of Risks

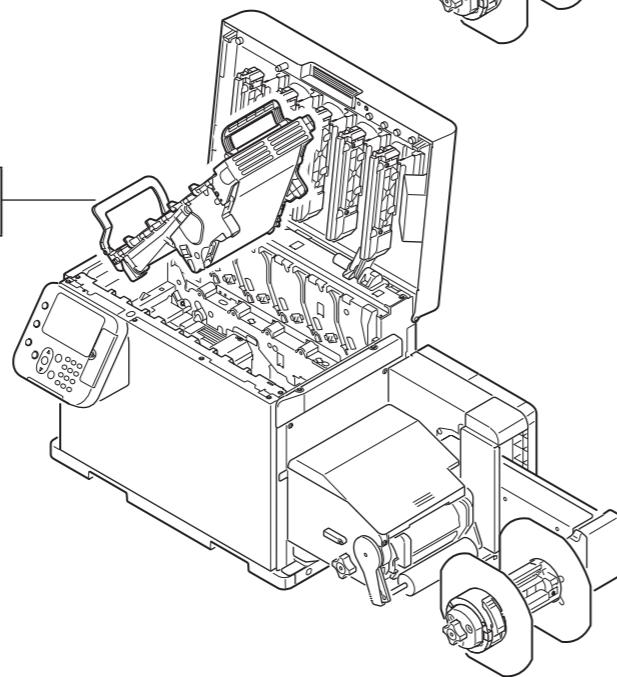
The letters shown under "Locations on machine" indicate the locations on the machine as indicated by the letters on the "Residual Risk Map" for the product. Refer to the "Residual Risk Map" for the specific location on the machine.

No	Job	Qualifications and training needed for job	Location on machine	Extent of hazard	Description of hazard	Protective measures implemented by machine user
1	Usage/maintenance	Carefully read Maintenance Guide and User's Guide	A	CAUTION	There is a risk of injury from fingers or hair being twisted into the rollers on the fuser and exit unit.	Workers must not touch the output roller area on the fuser and exit unit with their hands while the printer is operating. Workers must not put their faces close to or look into the output roller area on the fuser and exit unit while the printer is operating.
2	Electrical connections	Carefully read Setup Guide	B	CAUTION	There is a risk of electric shock from the electric power cord.	Workers must not touch the power plug or power cord if their hands are wet.
3	Electrical connections	Carefully read Setup Guide	B	CAUTION	There is a risk of electric shock from the electric power connectors.	Workers must not insert any metal objects, such as a screwdriver, into the power connectors.
4	Usage/maintenance	Carefully read Maintenance Guide and User's Guide	C	CAUTION	Workers could pinch their hands if they grip the LED head while closing the top cover.	Workers must press on the top of the top cover.
5	Usage/maintenance	Carefully read Maintenance Guide and User's Guide	D	CAUTION	Workers could pinch their fingers or hands in the top cover or the top cover's support while closing the top cover.	Workers must press on the top of the top cover.
6	Usage/maintenance	Carefully read Maintenance Guide and User's Guide	E	CAUTION	If the fuser and exit unit is pulled out using only one hand, you can lose balance and drop the unit resulting in injuries.	Hold the handle on the outside of the fuser and exit unit and the handle of the fuser unit, and always lift while holding these parts with both hands.

Location F **CAUTION** No.7



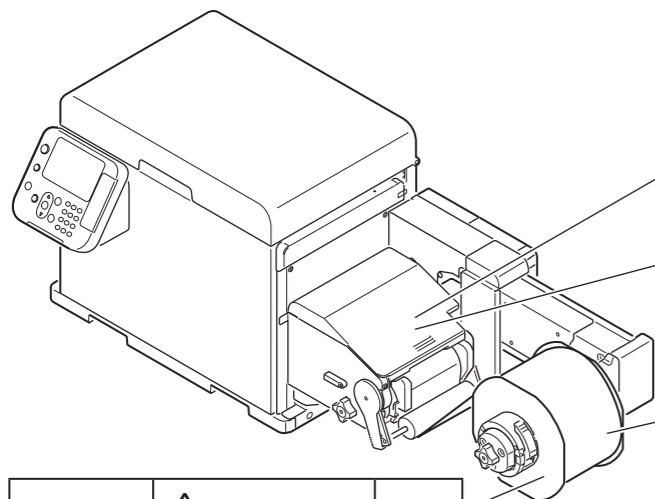
Location G **CAUTION** No.8, No.9



Location H **CAUTION** No.10, No.11, No.12

Location I **WARNING** No.13

Location J **CAUTION** No.14, No.15, No.16, No.17



Location K **CAUTION** No.18

Residual risks not at specific locations on the machine

Location L **WARNING** No.19, No.20

Residual risks not at specific locations on the machine

Location M **CAUTION** No.21, No.22

No	Job	Qualifications and training needed for job	Location on machine	Extent of hazard	Description of hazard	Protective measures implemented by machine user
7	Usage/maintenance	Carefully read Maintenance Guide and User's Guide	F	CAUTION	There is a risk of injury if the print cartridge set falls while it is being pulled out.	Workers must grip the handles on the toner cartridge basket for the print cartridge set when lifting it.
8	Usage/maintenance	Carefully read Maintenance Guide and User's Guide	G	CAUTION	There is a risk of injury if the belt unit falls while it is being removed.	Workers must grasp the handle on the belt unit when removing the belt unit.
9	Usage/maintenance	Carefully read Maintenance Guide and User's Guide.	G	CAUTION	There is a risk that hands or fingers could be pinched between the handle and the machine while removing or installing a belt unit.	Confirm the procedures for removing and installing the belt unit.
10	Usage/maintenance	Carefully read Maintenance Guide and User's Guide.	H	CAUTION	There is a risk that hands could be pinched in the cover of the unwinder.	Workers must press on the cover of the unwinder.
11	Usage/maintenance	Carefully read Maintenance Guide and User's Guide	H	CAUTION	There is a risk that hands or fingers could be pinched while removing the cutter unit of the unwinder.	Workers must confirm the procedure for installing and removing the cutter unit.
12	Usage/maintenance	Carefully read Maintenance Guide and User's Guide	H	CAUTION	There is a risk of injury if the cutter unit of the unwinder falls while it is being removed.	Workers must confirm the procedure for installing and removing the cutter unit.
13	Maintenance	Carefully read Maintenance Guide and User's Guide	I	WARNING	There is a risk that hands may touch the cutter blade and be cut while dismantling the cutter unit of the unwinder and washing the cutter blade.	Confirm the procedure for cleaning before you dismantle the cutter unit and wash the cutter blade.
14	Usage	Carefully read Maintenance Guide and User's Guide	J	CAUTION	There is a risk of injury if the roll paper is dropped or overturned.	Workers must wear rubber gloves or similar gloves while installing or removing roll paper. Workers must confirm the storage and installation procedures so they do not drop or overturn the roll paper.
15	Usage	Carefully read Maintenance Guide and User's Guide	J	CAUTION	There is a risk that hands could be cut on the edge of roll paper.	Workers must wear rubber gloves or similar gloves while handling roll paper.
16	Usage	Carefully read Maintenance Guide and User's Guide	J	CAUTION	There is a risk that hands or fingers could be pinched by the roll paper and the roll paper holder while loading roll paper onto the roll paper holder.	Workers must confirm the procedure for attaching and removing roll paper. Workers must turn the knob on the roll paper holder so it is sufficiently loose when loading roll paper.
17	Usage/maintenance	Carefully read Maintenance Guide and User's Guide	J	CAUTION	There is a risk of injury from fingers or hair being twisted into the roll paper or roll paper holder while the machine is operating.	Workers must not touch the shaft of the roll paper holder while the printer is operating. Workers must not put their faces close to or look into the shaft of the roll paper holder while the printer is operating.
18	Usage	Carefully read Maintenance Guide and User's Guide	K	CAUTION	There is a risk of injury if the roll paper falls off because the roll paper could not be secured to the roll paper holder.	Workers must confirm the procedure for attaching and removing roll paper. Workers must turn the knob on the roll paper holder so it is sufficiently loose when loading roll paper.
19	Maintenance	Maintenance technology	L	WARNING	There is a risk of injury, accident, or reduced performance of the product if it is dismantled or assembled by a person who does not have the tools or maintenance technology.	Workers must request repairs from their dealer or the sales office listed in the User's Manual.
20	Usage	Carefully read Maintenance Guide and User's Guide	L	WARNING	There is a risk of electric shock when printing on metal foil or electrically conductive paper if the paper is touched while printing.	Workers must not use metal foil or electrically conductive paper.
21	Usage	Carefully read Maintenance Guide and User's Guide	M	CAUTION	There is a risk of injury by stepping on the cores of roll paper or on rolls of paper that are left on the floor.	Workers must confirm the storage and installation procedures so they do not drop or overturn the roll paper.
22	Usage	Carefully read all manuals	M	CAUTION	Persons can suffer burns or the equipment can fail due to a temperature raise caused by a blocked air vent.	The air vents must not be blocked.