

**OKI**

**ML6300FB-SC**

# User's Guide



## PREFACE

Every effort has been made to ensure that the information in this document is complete, accurate, and up-to-date. The manufacturer assumes no responsibility for the results of errors beyond its control. The manufacturer also cannot guarantee that changes in software and equipment made by other manufacturers and referred to in this guide will not affect the applicability of the information in it. Mention of software products manufactured by other companies does not necessarily constitute endorsement by the manufacturer.

While all reasonable efforts have been made to make this document as accurate and helpful as possible, we make no warranty of any kind, expressed or implied, as to the accuracy or completeness of the information contained herein.

The most up-to-date drivers and manuals are available from:

[www.okiprintingsolutions.com](http://www.okiprintingsolutions.com)

Copyright © 2009 Oki Data Corporation. All rights reserved.

OKI is a registered trademark of Oki Electric Industry, Co., Ltd.

Hewlett-Packard, HP, and LaserJet are registered trademarks of Hewlett-Packard Company.

Microsoft, MS-DOS and Windows are registered trademarks of Microsoft Corporation.

Apple, Macintosh, Mac and Mac OS are registered trademarks of Apple Computer.

Other product names and brand names are registered trademarks or trademarks of their proprietors.



This product complies with the requirements of the Council Directives 2004/108/EC (EMC), 2006/95/EC (LVD) and 2011/65/EU (ROHS) as amended where applicable, on the approximation of the laws of the member states relating to electromagnetic compatibility, low voltage and restriction of hazardous substances.

The following cables were used to evaluate this product to achieve EMC directive 2004/108/EC compliance and configurations other than this may affect that compliance.

CABLE TYPE	LENGTH (METRE)	CORE	SHIELD
Power	2,0	x	x
USB	5,0	x	✓
Serial	2,0	x	✓
Parallel	3,0	x	✓
LAN	5,0	x	x

## **MANUFACTURER**

Oki Data Corporation,  
4-11-22 Shibaura, Minato-ku,  
Tokyo 108-8551,  
Japan

## **IMPORTER TO THE EU/AUTHORISED REPRESENTATIVE**

Oki Europe Limited  
Blays House  
Wick Road  
Egham  
TW20 0HJ  
United Kingdom

For all sales, support and general enquiries contact your local distributor.

## **ENVIRONMENTAL INFORMATION**



# CONTENTS

<b>Preface</b> . . . . .	<b>2</b>
<b>Manufacturer</b> . . . . .	<b>3</b>
<b>Importer to the EU/authorised representative</b> . . . . .	<b>3</b>
<b>Environmental Information</b> . . . . .	<b>3</b>
<b>Contents</b> . . . . .	<b>4</b>
<b>Notes, cautions and warnings</b> . . . . .	<b>6</b>
<b>Introduction</b> . . . . .	<b>7</b>
About this guide . . . . .	7
On-line usage . . . . .	8
Printing pages . . . . .	8
<b>Getting started</b> . . . . .	<b>9</b>
Retaining packing materials . . . . .	9
Identifying component parts . . . . .	9
Front view . . . . .	9
Rear view . . . . .	10
Locating your printer . . . . .	10
Powering on your printer . . . . .	11
Producing a test print . . . . .	12
<b>Connecting to a computer</b> . . . . .	<b>13</b>
Interconnecting printer and computer . . . . .	13
Interfaces . . . . .	13
Interconnection . . . . .	13
Installing the printer driver . . . . .	14
Printing a test page . . . . .	14
<b>Printing from a computer</b> . . . . .	<b>15</b>
<b>Paper handling</b> . . . . .	<b>16</b>
Skew correction and set free . . . . .	16
Loading cut sheet paper . . . . .	17
Ejecting cut sheet paper . . . . .	18
Loading continuous forms . . . . .	19
Setting up continuous forms . . . . .	19
Feeding continuous forms . . . . .	19
Tearing off continuous forms . . . . .	21
Aligning the tear-off perforations . . . . .	21
Removing continuous forms . . . . .	22
Setting the Paper Thickness lever . . . . .	22
<b>Operating instructions</b> . . . . .	<b>24</b>
Control panel . . . . .	24
Indicators . . . . .	24
Button switches . . . . .	25
Setting menu values . . . . .	26
Confirming current settings . . . . .	26
Menu setting . . . . .	26
Menu items and settings . . . . .	27
Initialising menu settings . . . . .	33
Adjusting TOF position . . . . .	33
Quick printer settings . . . . .	34
Printer impact mode . . . . .	34
<b>Troubleshooting</b> . . . . .	<b>35</b>
Clearing paper jams . . . . .	35
Cut sheet paper jammed in printer . . . . .	35
Continuous forms jammed in printer . . . . .	36

Responding to alarm conditions . . . . .	.37
Responding to general problems . . . . .	.37
<b>Cleaning your printer . . . . .</b>	<b>.42</b>
Printer exterior . . . . .	.42
Printer interior . . . . .	.42
<b>Consumables and accessories . . . . .</b>	<b>.44</b>
Consumables . . . . .	.44
Changing a ribbon cartridge . . . . .	.44
Consumable order information . . . . .	.47
Accessories . . . . .	.47
Accessory order information . . . . .	.47
<b>Specifications . . . . .</b>	<b>.48</b>
<b>Index . . . . .</b>	<b>.50</b>
<b>Oki contact details . . . . .</b>	<b>.51</b>

## NOTES, CAUTIONS AND WARNINGS

---

*NOTE*

*A note provides additional information to supplement the main text.*

---

**CAUTION!**

**A caution provides additional information which, if ignored, may result in equipment malfunction or damage.**

**WARNING!**

**A warning provides additional information which, if ignored, may result in a risk of personal injury.**

For the protection of your product, and in order to ensure that you benefit from its full functionality, this model has been designed to operate only with genuine original ribbon cartridges. Any other ribbon cartridges may not operate at all, even if it is described as "compatible", and if it does work, your products performance and print quality may be degraded.

Specifications subject to change without notice. All trademarks acknowledged.

## INTRODUCTION

Congratulations on purchasing this printer!

This printer is designed to provide highly reliable letter quality printing and high resolution graphics for the desktop/office printing environment. It combines state-of-the-art, 24-pin, serial impact dot matrix printing technology with advanced materials and superior construction to provide high performance and versatility in a desktop sized unit. Careful attention to ergonomics and application needs provides user friendly operation for operators of varying technical capabilities.

## ABOUT THIS GUIDE

---

### NOTE

*Images used in this manual may include optional features that your printer does not have installed.*

---

This manual is your user's guide (check the web site, [www.okiprintingsolutions.com](http://www.okiprintingsolutions.com), for the most up-to-date version) for your printer and forms part of the overall user support listed below:

- > **Installation Safety booklet:** provides information as to safe use of the printer.  
This is a paper document that is packaged with the printer and should be read before setting up your printer.
- > **Set-up guide:** to describe how to unpack, connect and turn on your printer.  
This is a paper document that is packaged with the printer.
- > This **User's Guide:** to help you to become familiar with your printer and make the best use of its many features. Also included are guidelines for troubleshooting and maintenance to ensure that it performs at its best. Additionally, information is provided for adding optional accessories as your printing needs evolve.  
This is an electronic document stored on the manuals CD.
- > **Technical Reference Guide:** to provide detailed technical information for programmers and more technical users.  
This is an electronic document available on the web site [www.okiprintingsolutions.com](http://www.okiprintingsolutions.com).
- > **Network Configuration Guide:** to provide detailed technical information for network administrators to configure the optional accessory network interface.  
This is an electronic document stored on the CD that accompanies the network interface card optional accessory.
- > **Installation Guides:** accompany consumable items and optional accessories to describe how to install them.  
These are paper documents that are packaged with the consumables and optional accessories.
- > **On-line Help:** on-line information accessible from the printer driver and utility software.

## ON-LINE USAGE

This guide is intended to be read on screen using an Adobe Acrobat Reader. Use the navigation and viewing tools provided in Acrobat.

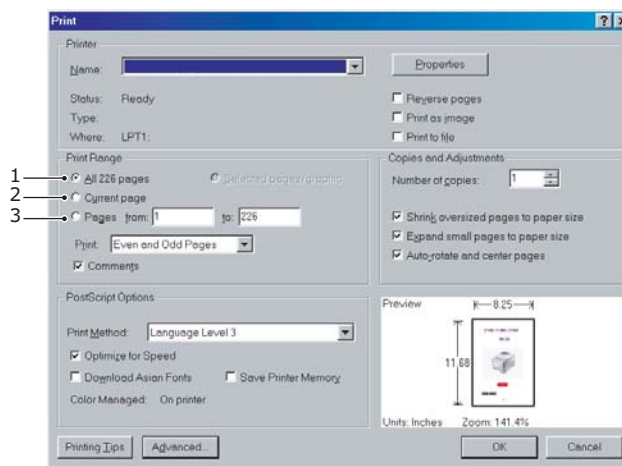
You can access specific information in two ways:

- > In the list of bookmarks down the left hand side of your screen, click on the topic of interest to jump to the required topic. (If the bookmarks are not available, use the "Contents" on page 4.)
- > In the list of bookmarks, click on Index to jump to the Index. (If the bookmarks are not available, use the "Contents" on page 4.) Find the term of interest in the alphabetically arranged index and click on the associated page number to jump to the page containing the term.

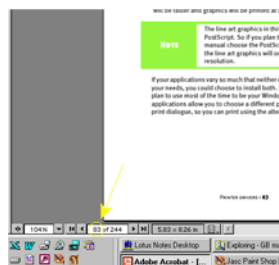
## PRINTING PAGES

The whole manual, individual pages, or sections may be printed. The procedure is:

1. From the toolbar, select **File**, then **Print** (or press the Ctrl + P keys).
2. Choose which pages you wish to print:
  - (a) **All pages**, (1), for the entire manual.
  - (b) **Current page**, (2), for the page at which you are looking.
  - (c) **Pages from and to**, (3), for the range of pages you specify by entering their page numbers.



- 
- 
- (c) **Pages from and to**, (3), for the range of pages you specify by entering their page numbers.



- 
- 
3. Click on **OK**.



## GETTING STARTED

### WARNING!

**If you have not already done so, familiarise yourself with the content of the Installation Safety booklet supplied with your printer.**

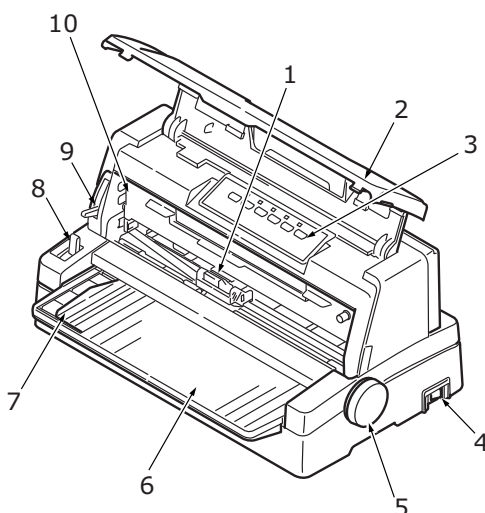
### RETAINING PACKING MATERIALS

After setting up your printer according to the instructions in the Set-up Guide, retain your packing materials and container in case you ever need to ship or transport your printer.

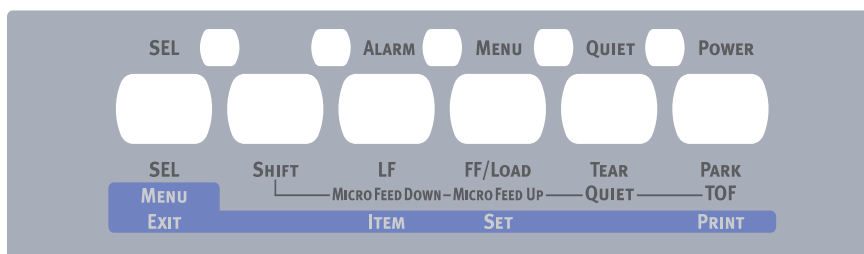
### IDENTIFYING COMPONENT PARTS

The main parts of your printer are identified and briefly explained below.

#### FRONT VIEW



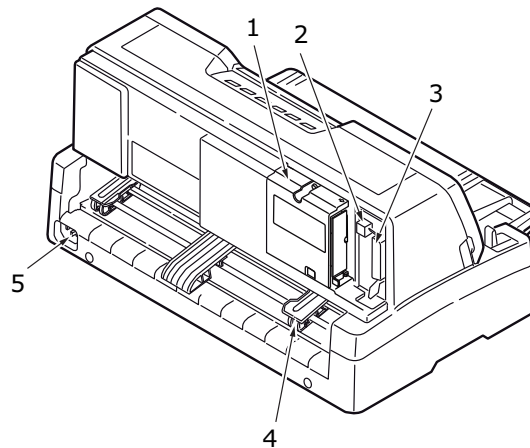
1. Print Head: prints the characters on the paper.
2. Top Cover: open and close for access, for example when changing a ribbon cartridge. Keep closed for noise reduction.
3. Control Panel: contains button switches and indicators (described in detail later) that allow you to operate the printer.



4. Power Switch: to turn the printer power ON/OFF.
5. Platen Knob: turn to move or eject the paper.
6. Paper Tray: to hold cut sheet paper for use by the printer (one sheet at a time).
7. Paper Guide: can be adjusted as required to locate the left edge of cut sheet paper.

8. Paper Type Lever: set according to the type of paper used – cut sheet or continuous forms.
9. Paper Thickness Lever: set according to the thickness of the paper. There is also a setting to facilitate ribbon replacement.
10. Ribbon Cartridge: holds the printer ribbon.

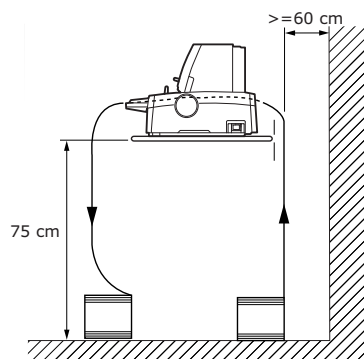
## REAR VIEW



1. Optional connector position: connect to optional accessory serial interface card or 100BASE-TX/10BASE-T network card.
2. USB connector: connect to USB interface cable.
3. Parallel connector: connect to parallel interface connector.
4. Pin Tractor: to load and feed continuous forms.
5. Power connector: connect to printer power cable.

## LOCATING YOUR PRINTER

- > Select a firm, solid surface on which to site your printer.
- > Allow enough space around your printer (e.g. at least 60 cm from any wall) for easy access to the Platen Knob and the various paper feed paths.



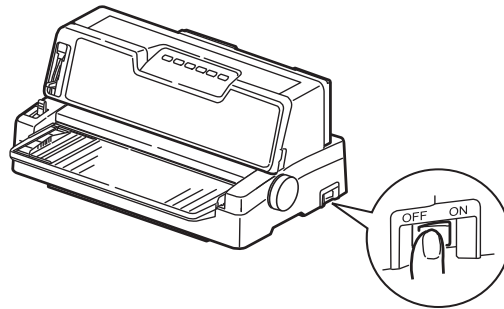
- > Make sure a grounded power outlet is available nearby.

## POWERING ON YOUR PRINTER

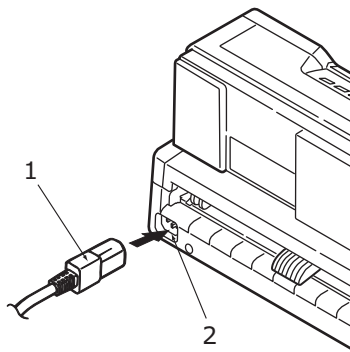
### WARNING!

Operations of this equipment are not warranted when the equipment is connected to UPS (Uninterruptible Power Supply) and/or inverter. Doing so may result in damage of this equipment. Do not use an UPS and/or inverter.

1. Ensure that your printer Power Switch is set to OFF.



2. Connect the power cable connector (1) to the power connector (2) on the printer.



3. Connect the power cable to a 220/240 V AC power outlet and switch on the outlet power.
4. Turn the printer Power Switch to ON.



5. Check that the POWER indicator on the control panel illuminates.

## PRODUCING A TEST PRINT

To check that your printer is operational, produce a test print on a sheet of 80 gsm A4 paper (for example) as follows:

### CAUTION!

**Allow at least 5 seconds between turning the printer ON after turning it OFF. A shorter time interval between turning ON/OFF operations may cause printer power failure.**

**Do not turn the printer OFF while it is printing as this may result in damage to the print head.**

1. Turn the printer Power Switch to OFF.
2. Set the Paper Type Lever to cut sheet and set the Paper Thickness Lever to position 1.
3. Press and hold the LF button and turn the Power Switch to ON.
4. With the long side of the paper against the paper guide, insert the paper carefully into the printer. The printer will automatically grip the paper and start the test print.

---

*NOTE*

*If required, you can pause the test print by pressing the SEL button and then resume the test print by again pressing the SEL button.*

---

5. When the test print has completed, the paper is automatically ejected.

---

*NOTE*

*If you want to abort the test print for any reason, press the SEL button followed by the PARK button to eject the paper and then turn the printer Power Switch to OFF.*

---

## CONNECTING TO A COMPUTER

In this section you will interconnect your printer and computer, install the printer driver in your computer and print a test page.

### INTERCONNECTING PRINTER AND COMPUTER

#### INTERFACES

Your printer is equipped with two data interfaces:

#### CAUTION!

**Do not use both parallel and USB printing together.**

- > Parallel: for direct connection to a PC. This port requires a bi-directional (IEEE 1284 compliant) parallel cable.
- > USB: for connection to a PC running Windows 2000 or above. This port requires a shielded cable 5 m long conforming to USB version 2.0.

#### NOTE

*Interface cables are not supplied with your printer.*

The following interfaces are available as optional accessories and are described in their accompanying installation documentation:

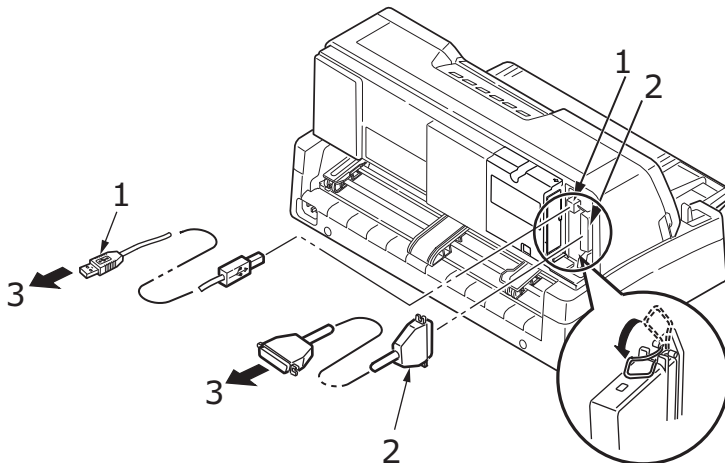
- > RS232 Serial interface
- > 100BASE-TX/10BASE-T network connection

#### NOTE

- > *Refer to the Network Configuration Guide for setting up the network connection.*
- > *It is not recommended that you use either the parallel or USB port when the RS-232C or Network Interface option is installed in this product.*

#### INTERCONNECTION

1. Ensure that both printer and computer are turned OFF.
2. Connect the required interface cable, USB (1) or parallel (2), to the printer and then to the computer (3).



3. Turn ON the printer and then turn ON the computer.

## **INSTALLING THE PRINTER DRIVER**

Insert the Drivers CD into your computer and follow the on-screen instructions to install the printer driver for use with your printer.

## **PRINTING A TEST PAGE**

As an example, using Windows XP:

- 1.** Use **Start > Printers and Faxes** to show the Printers and Faxes window.
- 2.** Highlight the driver for your printer.
- 3.** Use **File > Properties** to show the Properties window.
- 4.** On the General tab, click the **Print Test Page** button.
- 5.** Ensure that a test page has printed, verifying your printer – computer setup.

## **PRINTING FROM A COMPUTER**

When printing to your printer from, for example, a Windows application on your computer, make your printing selections from the driver windows that appear on screen. These driver windows have been designed to be easy to use and intuitive while supplementary on-line help is available by clicking each window Help button.

## PAPER HANDLING

This section describes how to use cut sheet paper and continuous forms in your printer.

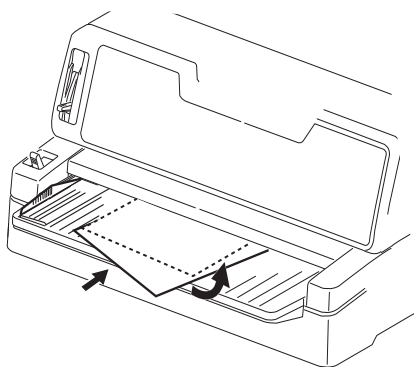
### SKREW CORRECTION AND SET FREE

This printer has two new features that can be used for loading cut sheet paper:

- > Skew Correction
- > Set Free

#### Skew Correction

Using the new skew correction feature, you can now produce skew free printouts. If you load a cut sheet paper in an angle, the printer sensors detect the skew, automatically correct it and start printing on the left edge of the paper (see ["Set Free" on page 17](#)). This ensures text placement on the paper is precise throughout. You do not have to worry about paper skew or the left edge not being aligned with the paper guide.



---

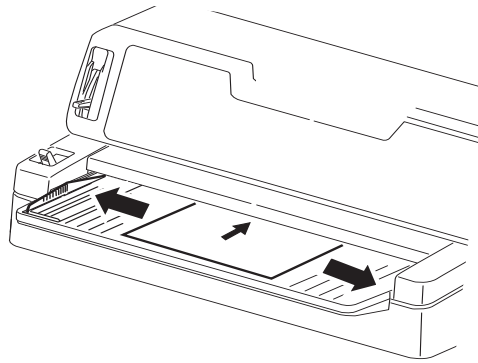
#### NOTE

- > You have to enable the skew correction mode in the menu settings.
  - > The width of the cut sheet paper used in the skew correction mode must be between 148 to 304.8 mm (5.82 to 12 in). If incorrect paper size is fed, the printer will not print and eject the media.
-



## Set Free

With the set free feature, you can now place the cut sheet anywhere on the paper tray as the printer sensors detect the left edge of the paper, reposition the print head and start printing. You do not have to align the left edge of the cut sheet with the paper guide at all times.



---

### NOTE

When using cut sheet paper width 90 to 148 mm (3.54 to 5.83 in), the left edge must be aligned with the paper guide carefully.

---

## LOADING CUT SHEET PAPER

1. Ensure that the printer is turned ON.

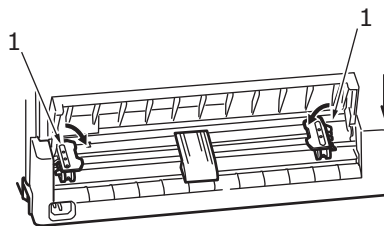
---

### NOTE

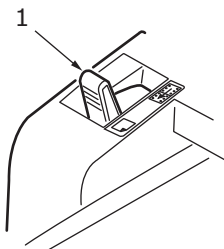
If there are any continuous forms in the printer, eject them as described in ["Removing continuous forms" on page 22.](#)

---

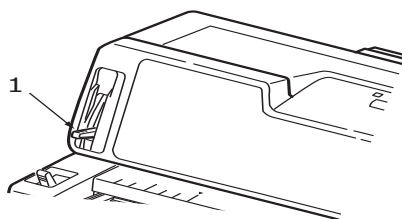
2. Ensure that the Pin Tractor covers (1) are closed to avoid the possibility of paper jams.



3. Ensure the Paper Type Lever (1) is set to Cut Sheet. 



4. Adjust the Paper Thickness Lever (1) to suit the paper. See ["Setting the Paper Thickness lever"](#) on page 22.



---

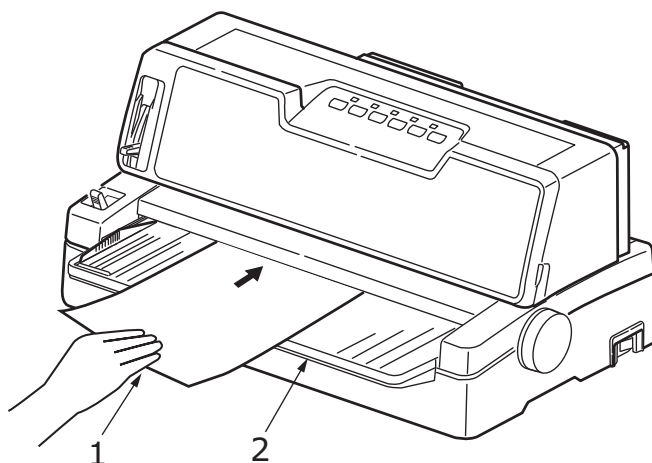
**NOTE**

*If the Paper Thickness Lever setting does not match the paper being used, paper feeding and printing may not work properly.*

---

5. With the printing side upwards insert the paper (1) on the Paper Tray (2) into the printer until it is gripped.

If the skew correction mode is enabled, the printer will automatically correct any skew. See ["Skew correction and set free"](#) on page 16.



---

**NOTE**

- > When printing an envelope, do not fold up the flap. A flap aligned along the Paper Guide can lead to skew printing.
  - > Load envelopes in landscape orientation only.
- 

## EJECTING CUT SHEET PAPER

When the printer reaches the end of the cut sheet page it automatically ejects the page. If required, add another sheet for the printer to continue printing from where it left off.

To eject a cut sheet left in the printer, carry out the following:

1. Press the SEL button to put the printer off-line.
  2. Press the PARK button and the paper is ejected to the Paper Tray.
- 

**NOTE**

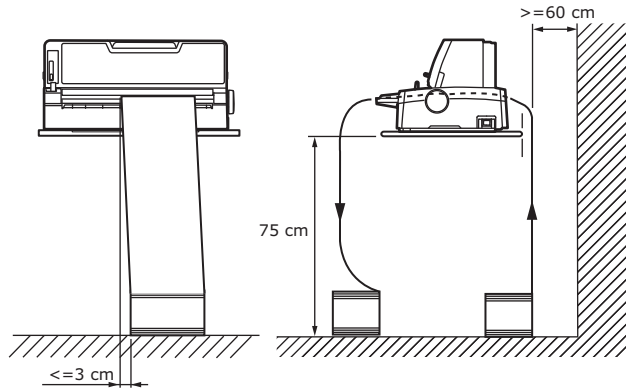
*Paper longer than A4 length (297 mm) may overlap and possibly fall off the Paper Tray.*

---

## LOADING CONTINUOUS FORMS

### SETTING UP CONTINUOUS FORMS

To avoid paper feeding problems, carry out the following:



1. Check your printer is on a surface approximately 75 cm above the floor.
2. Position the continuous forms supply directly below the printer, no more than 3 cm left or right of the printer paper path.
3. Ensure the rear of the printer is close to and parallel with the edge of the surface and at least 60 cm from any wall.

### FEEDING CONTINUOUS FORMS

1. Ensure that the printer is turned ON.

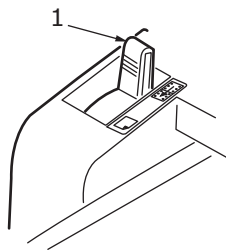
---

**NOTE**

*If there is a cut sheet in the printer, eject it as described in "Ejecting cut sheet paper" on page 18.*

---

2. Ensure the Paper Type Lever (1) is set to Continuous Forms. 



3. Adjust the Paper Thickness Lever to suit the paper. See "Setting the Paper Thickness lever" on page 22.

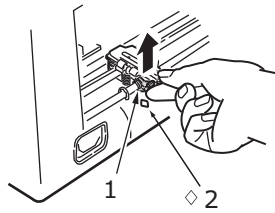
---

**NOTE**

*If the Paper Thickness Lever setting does not match the paper being used, paper feeding and printing may not work properly.*

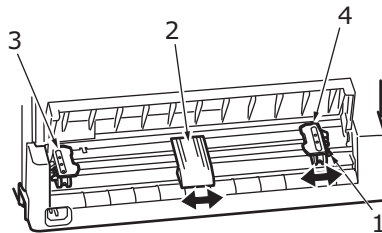
---

4. Lift the locking lever (1) of the left Pin Tractor and slide the Pin Tractor as required to adjust the paper position relative to the first horizontal character centre mark (2).

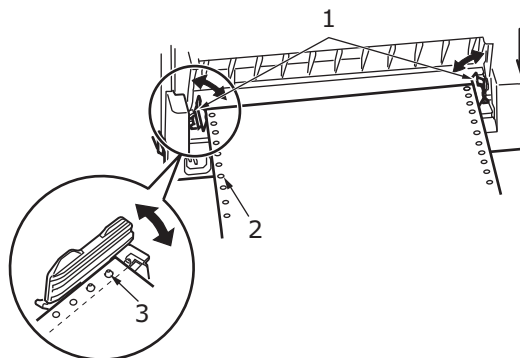


Press the locking lever back down to lock the Pin Tractor in the desired position.

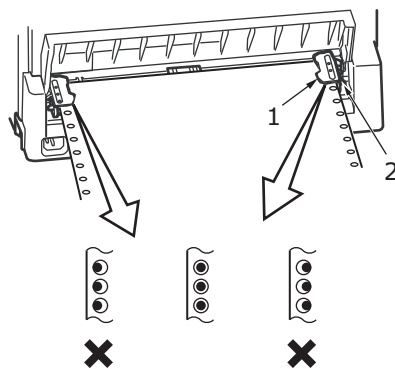
5. Lift the locking lever (1) of the right Pin Tractor and slide the Pin Tractor to the required position to accommodate the width of the continuous forms to be used. Move the rear paper guide (2) to midway between the left (3) and right (4) Pin Tractors.



6. Open the left and right Pin Tractor covers (1) and feed the continuous forms in the direction of the arrows, locating the sprocket holes (2) in the forms onto the sprocket pins (3), then close the covers.



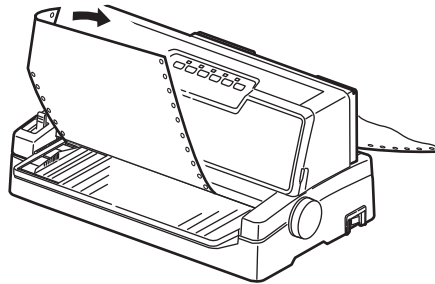
7. Adjust the right Pin Tractor (1) to accommodate the width of the continuous forms, taking care that the forms are held neither too loosely nor too tightly between the Pin Tractors. Press the locking lever (2) down to lock the right Pin Tractor in the desired position.



8. Press the FF/LOAD button. The continuous forms will be taken into the printer and positioned at the first line print position and the SEL indicator will illuminate.

## TEARING OFF CONTINUOUS FORMS

1. With the SEL indicator illuminated, press the TEAR button to eject the continuous forms onto the Paper Tray.
2. Carefully tear off the forms along the tear-off perforations in the direction shown. Using excessive force may result in tearing at a position other than the tear-off perforations.

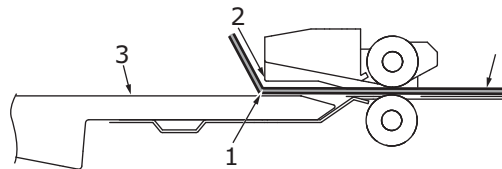


3. Press the TEAR button, FF/LOAD button or LF button to reposition the continuous forms in the printer back to the first line print position.

## ALIGNING THE TEAR-OFF PERFORATIONS

If the tear-off perforations are not aligned with the paper cutter on the Top Cover, align them as follows:

1. With the SEL indicator illuminated, press and hold the TEAR button to move the tear-off perforations to the paper cutter on the Top Cover.
2. Check the position of the tear-off perforations (1) relative to the paper cutter (2). (Paper Tray (3) is shown for clarity.)



- (a) To advance the forms, hold down the TEAR button and press the FF/LOAD button.
- (b) To retract the forms, hold down the TEAR button and press the LF button.

---

### NOTE

*If a movement greater than  $\pm 7/90$  in is specified, the QUIET indicator blinks and the above adjustment cannot be made.*

---

3. Release the buttons after the tear-off perforations have been aligned with the paper cutter.

## REMOVING CONTINUOUS FORMS

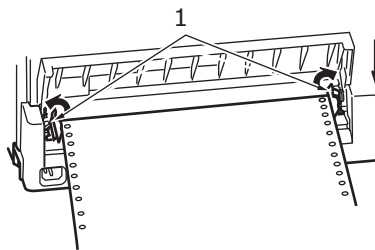
1. Tear off the continuous forms. See "Tearing off continuous forms" on page 21.
2. Press the SEL button to set the printer off-line and reposition the continuous forms in the printer.
3. Press the PARK button to move the front edge of the continuous forms backwards to the Pin Tractors.

---

**NOTE**

- > The ALARM indicator illuminates to indicate there is no paper present.
  - > If sprocket holes of the last page of the forms disengage from the sprocket pins, do not attempt to eject the paper to avoid the possibility of a paper jam.
- 

4. Lift the Pin Tractor covers (1) and remove the forms.



5. Close the Pin Tractor covers.

## SETTING THE PAPER THICKNESS LEVER

There are 10 lever positions, the first 9 for printing purposes and the tenth to facilitate ribbon replacement.

Set the Paper Thickness lever for different paper types as follows:

PAPER TYPE	LEVER POSITION				
	1	2	3	4	5 - 9
Cut sheet paper					See below
52 – 81 gsm	X				
81 – 128 gsm		X			
128 – 156 gsm		X			
Envelope				X	
Postcard			X		
Carbon paper or Pressure-sensitive paper (40 gsm)					See below
2 part		X			
3 part		X			
4 part			X		
5 part			X		
6 part				X	

Set the Paper Thickness lever for overall paper thickness as follows:

OVERALL PAPER THICKNESS	LEVER POSITION
0.06 – 0.12 mm	1
0.13 – 0.21 mm	2
0.22 – 0.30 mm	3
0.31 – 0.36 mm	4
0.37 – 0.48 mm	5
0.49 – 0.57 mm	6
0.58 – 0.66 mm	7
0.67 – 0.75 mm	8
0.76 – 0.84 mm	9

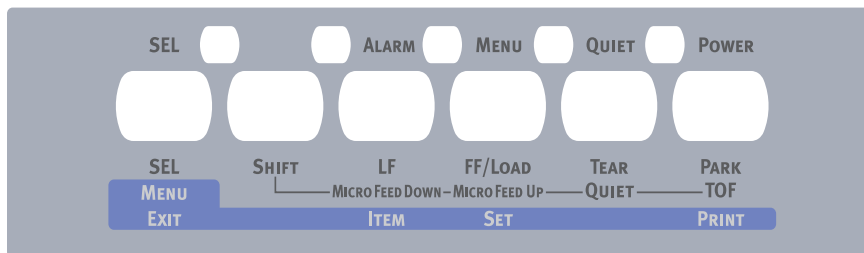
---

**NOTE**

- > *Printing with lever positions 5 – 9 is not guaranteed.*
  - > *If the lever position does not suit the paper thickness, paper feeding and printing may not work properly.*
  - > *Do not print bankbooks to avoid possible pin breakage/ribbon snagging.*
  - > *Printing can be carried out with the lever position set to 4 for paper thickness up to 0.36 mm.*
  - > *When lever positions 5-9 are selected, printing quality for carbon paper may decline resulting in illegible characters for example.*
-

# OPERATING INSTRUCTIONS

## CONTROL PANEL



The status/alarm indicators and button switches on the control panel allow you to check printer status and control the printer.

## INDICATORS

INDICATOR	STATUS	MEANING
SEL	ON	Printer is on-line i.e. is available to print.
	OFF	Printer is off-line i.e. is not available to print.
	Flashing	When flashing together with the ALARM indicator, printing cannot be resumed at this stage. Turn the power OFF, verify that the carriage moves properly, then turn the power ON again. If the problem is still there after you turn the power ON again, contact your dealer.
ALARM	ON	Paper end status i.e. no paper present.
	OFF	Paper present status.
	Flashing	Paper jam alarm status.
		Media switch alarm status.
		When flashing together with the SEL indicator, printing cannot be resumed at this stage. Turn the power OFF, verify that the carriage moves properly, then turn the power ON again. If the problem is still there after you turn the power ON again, contact your dealer.
High temperature alarm status.		
MENU	ON	Menu printing mode.
	OFF	Normal printing mode.
	Flashing	High temperature indication.
QUIET	ON	Quiet print mode.
	OFF	Normal speed printing mode.
	Flashing	High multipart printing mode.
POWER	ON	Printer power is ON.
	OFF	Printer power is OFF.
	Flashing	Low power consumption mode.



## BUTTON SWITCHES

SWITCH	STATUS	FUNCTION
SEL	On-line	Sets the printer to off-line.
	Off-line	Sets the printer to on-line and disarms the printer.
SHIFT		Used only in conjunction with one of the following buttons: SEL, LF, FF/LOAD, PARK, TEAR described below.
LF	On-line	Feeds paper by one line. Holding the button down results in continuous line feeding.
	Off-line	Feeds paper by one line. Holding the button down results in continuous line feeding.
FF/LOAD	On-line and off-line Continuous Forms mode	Continuous form fed until first line of next page.
	On-line and off-line Cut sheet manual mode	Ejects the cut sheet.
TEAR	On-line Continuous Forms mode	Delivers the continuous form to the cut position. If the button is pressed again or data is received, the original form position is restored.
	On-line Cut sheet manual mode	Ineffective.
	Off-line	Ineffective.
PARK	Continuous Forms mode	If the continuous form is in position, press to retract the form to the Pin Tractors. (If the sprocket holes of the last page of the form disengage from the sprocket pins, do not attempt to eject the paper as a paper jam may result.)
SHIFT+SEL		Enters menu mode.
SHIFT+LF		Microfeed (0.14 mm step) down Hold this button combination down for continuous feeding or ejecting of paper.
SHIFT+FF/LOAD		Microfeed (0.14 mm step) up Hold this button combination down for continuous feeding or ejecting of paper.
SHIFT+PARK	On-line	Ineffective.
	Off-line	Saves the set paper start position (first line print position).
SHIFT+TEAR	On-line	Quieter print mode Each press of the button pair progresses the printer through Quieter print mode > High multipart print mode > Normal print mode.
	Off-line	Ineffective.

## SETTING MENU VALUES

The following information explains the printer settings and how you can change them. Printer items and their values are printed for reference.

### CONFIRMING CURRENT SETTINGS

To print the current menu settings, use a cut sheet of A4 paper or continuous forms of width at least 254 mm. In this example, a sheet of A4 paper is used.

1. Set the Paper Type lever to cut sheet mode.
2. Carry out one of the following:
  - (a) If the printer power is OFF, while holding down the SEL button set the printer Power Switch to ON.
  - (b) If the printer power is ON, press the SHIFT and SEL buttons together.
3. Place the cut sheet on the Paper Tray. The cut sheet is taken into the printer automatically and the printer prompts you to request a menu settings print.
4. Press the PARK button and the printer prints out all the menu items currently selected and their corresponding settings.
5. Exit or proceed to change menu settings:
  - (a) To exit menu settings confirmation, save the current settings and eject the paper, press the SHIFT and SEL buttons together.
  - (b) To change menu settings, see ["Menu setting" on page 26](#).

### MENU SETTING

---

*NOTE*

*Before changing menu settings, you may wish to print the current menu settings as in ["Confirming current settings" on page 26](#).*

---

Set menu item values (printed out for reference as you proceed) as follows:

1. Press LF (or SHIFT and LF together) to step forward (backward) through the menu items to the required item.
2. To change the setting for a selected item, press FF/LOAD (or SHIFT and FF/LOAD together) to step forward (backward) through the setting values to the required setting.
3. Repeat steps 1 and 2 as required to change settings for other items.
4. To exit menu setting, press SHIFT and SEL together to save the new settings and exit menu setting mode.

---

*NOTE*

*Switching the printer OFF does not save the new settings.*

---

## MENU ITEMS AND SETTINGS

In the menu settings table below, factory default settings are shown in bold.

ITEM	FUNCTION	SETTING
Emulation Mode	Select EPSON LQ mode, IBM PPR mode, or IBM X24 AGM mode.	IBM PPR IBM AGM <b>EPSON LQ</b>
Print Mode	Select quality of ANK characters.	<b>LQ Courier</b> LQ Roman LQ Swiss LQ Swiss Bold LQ Orator LQ Gothic LQ Prestige LQ OCR-A LQ OCR-B Utility HSD
Pitch	Select character pitch.	<b>10 CPI</b> , 12 CPI, 15 CPI, 17.1 CPI, 20 CPI
Proportional Spacing	Select whether to use proportional spacing or not.	Yes <b>No</b>
Style	Select either font style.	<b>Normal</b> Italics
Size	Select the character scale size.	<b>Single</b> Double
Character Set	Select either ANK character code table.	Set I <b>Set II</b>
Language Set	Select a language character set.	<b>ASCII</b> , French, German, British, Danish I, Swedish I, Italian, Spanish I, Japanese, Norwegian, Danish II, Spanish II, Latin American, French Canadian, Dutch, Swedish II, Swedish III, Swedish IV, Turkish, Swiss I, Swiss II, Publisher
Zero Character	Select either print font pattern to receive a zero character located at 30H in ANK code or at AA30H in a single-byte code.	<b>Unslashed</b> Slashed

ITEM	FUNCTION	SETTING
Code Page	Select a code page.	<b>USA</b> Canada French Multilingual Portugal Norway Turkey Greek_437 Greek_869 Greek_928 Grk_437 CYPRUS Polska Mazovia Serbo Croatic I Serbo Croatic II ECMA-94 Hungarian CWI Windows Greek Windows East Europe Windows Cyrillic East Europe Latin II-852 Cyrillic I-855 Cyrillic II-866 Kamenicky(MJK) ISO Latin 2 Hebrew NC (862) Hebrew OC Turkey_857 Latin 5 (Windows Turkey) Windows Hebrew Ukrainian Bulgarian ISO Latin 6 (8859/10) Windows Baltic Baltic_774 KBL-Lithuanian Cyrillic Latvian Roman-8 Icelandic-861 Multilingual 858 ISO 8859-15 Greek_737 Asmo 449+ Asom 708 Arabic 864 Windows Arabic POL 1 Macedonian
Slashed Letter 0	Set whether to convert slashed 0 located at 9BH and 9DH in USA code page or not.	Yes <b>No</b>
Multi Pass	Select the printing direction when double-height print data exists in a line.	<b>Bi-directional</b> Uni-directional
Rcv Buffer	Select size of the received buffer.	0, 2 K, 32 K, <b>64 K</b>
Print Suppress Effective	Set whether to enable or disable a print suppress setup command.	<b>Yes</b> No
Auto LF	Select whether to perform auto LF operation or not upon receiving a CR code.	Yes <b>No</b>

ITEM	FUNCTION	SETTING
Auto CR *IBM PPR only	Select whether to perform auto CR operation upon receiving a carriage return command.	Yes <b>No</b>
SI Select Pitch (10CPI) *IBM PPR/AGM only	Set how to handle an SI command received in 10 CPI mode.	15 CPI <b>17.1 CPI</b>
SI Select Pitch (12CPI) *IBM PPR/AGM only	Set how to handle an SI command received in 12 CPI mode.	<b>12 CPI</b> 20 CPI
Reset Inhibit	Set whether to enable or disable an initial command.	<b>No</b> Yes
Select Language Set *EPSON only	Set whether to enable or disable a combination of the code page setting and the language setting by menu.	<b>Combined</b> Code Page Only
Impact Mode	Select print mode on power on. (This item is referred to on initialisation only by I-PRIME or power on but not by an initialisation command.)	<b>Normal</b> Quiet Hi Copy
Print Direction Command	Select the validity of a one-way print setup command.	<b>Valid</b> Invalid
Power Saving	Set whether to enable or disable power save mode.	<b>Enable</b> Disable
Power Save Time	Set idle time to enter power save mode.	<b>5 min</b> , 10 min, 15 min, 30 min, 60 min
PE Detection	Select whether to detect paper end or not.	OFF <b>ON</b>
Table Print	Set whether to divide a path or not to print on occasions when printing by the same headpin continues for 3 in or more in the same print block.	<b>Standard</b> Special
Line Spacing	Select line feed pitch.	<b>6 LPI</b> 8 LPI
Page Width	Set width of a line to determine the number of ANK (10CPI) characters to be printed. With this setting, the right margin is set. For reduced-size prints, at 75% or 50%, 136 characters are printed.	<b>10.6 in</b> 8 in
Form Tear-Off	Select manual or auto as the method to advance a continuous form to the form tear-off position.	<b>Off</b> 500 ms 1 sec 2 sec
Skip Over Perforation	Select whether to skip over perforation or not. (When a skip over perforation setup command is received, the received command is given priority.)	Yes <b>No</b>

ITEM	FUNCTION	SETTING
Page Length (Continuous)	Select the length of a continuous form.	3.5 in, 4 in, 5.5 in, 6 in, 7 in, 8 in, 8.5 in, 11 in, 11 2/3 in, <b>12 in</b> , 14 in, 17 in, 5 in, 3 in, 3.25 in
TOF (Continuous)	Select the reference position for the TOF position when auto loading continuous form paper from the rear of the printer. (Up to the mid-section of characters in the first line.) "1Chr. Set Pos." is printed if the TOF position is set by using SHIFT + PARK switches.	2.12 mm (1/12 in) 4.23 mm (1/6 in) <b>6.35 mm (1/4 in)</b> 8.47 mm (1/3 in) 10.58 mm (5/12 in) 12.7 mm (1/2 in) 14.82 mm (7/12 in) 16.93 mm (2/3 in) 19.05 mm (3/4 in) 21.17 mm (5/6 in) 23.28 mm (11/12 in) 25.4 mm (1 in) 27.52 mm (13/12 in) 1Chr. Set Pos.
Initial Position	This is the position of the paper when the paper is already loaded at power on. (For continuous form mode only.)	<b>Print</b> Tear OFF
Auto Eject Position	Select a printable area at the bottom of cut sheets of paper in cut-paper mode (the character centre position).	<b>6.35 mm (1/4 in)</b> 14.8 mm
Page Length (Cut Sheet)	Select the page length of cut-paper.	3.5 in, 4 in, 5.5 in, 6 in, 7 in, 8 in, 8.5 in, 11 in, <b>11 2/3 in</b> , 12 in, 14 in, 16.57 in, 5 in, 3 in, 3.25 in
TOF (Cut Sheet)	Select the reference position for the TOF position when feeding cut-paper in manual mode. (Up to the mid-section of characters in the first line.) "1Chr. Set Pos." is printed if the TOF position is set by using SHIFT + PARK switches.	2.12 mm (1/12 in) 4.23 mm (1/6 in) <b>6.35 mm (1/4 in)</b> 8.47 mm (1/3 in) 10.58 mm (5/12 in) 12.7 mm (1/2 in) 14.82 mm (7/12 in) 16.93 mm (2/3 in) 19.05 mm (3/4 in) 21.17 mm (5/6 in) 23.28 mm (11/12 in) 25.4 mm (1 in) 27.52 mm (13/12 in) 1Chr. Set Pos.
Wait Time	Select the waiting time between setting paper on the tray and feeding it while the printer is waiting for paper to be fed in cut-paper manual feed mode.	<b>500 ms</b> 1 sec 2 sec
FF Function	Set feeding operation upon receiving an FF code after cut-paper is fed.	<b>Eject</b> Form Feed
I-Prime	Select whether to print or clear buffer contents upon initialisation by receiving I-PRIME.	Invalid Buffer Clear <b>Buffer Print</b>
Auto Feed XT *EPSON only	Set the validity of an Auto Feed XT signal.	Valid <b>Invalid</b>

ITEM	FUNCTION	SETTING
I/F Bi-Direction	Set whether to return a device ID or not in accordance with IEEE1284.	<b>Enable</b> Disable
Parity (Displayed only when connected to a Serial Interface)	None: Absence of parity bit Odd: Odd parity Even: Even parity	<b>None</b> Odd Even
Serial bits (Displayed only when connected to a Serial Interface)	Select the data bit length.	7 bits <b>8 bits</b>
Protocol (Displayed only when connected to a Serial Interface)	Select an I/F Busy control method. Ready/Busy: Busy control by a DTR signal X-ON/X-OFF: Busy control by a DC3/DC1 code	<b>Ready/Busy</b> X-ON/X-OFF
Diagnostic Test (Displayed only when connected to a Serial Interface)	Select to perform input/output diagnosis of RS-232C interface signals.	<b>No</b> Yes
Busy Line (Displayed only when connected to a Serial Interface)	Set a Busy Line setting of a serial interface.	<b>SSD-</b> SSD+ DTR RTS
Baud Rate (Displayed only when connected to a Serial Interface)	Select to set the baud rate.	300BPS 600BPS 1200BPS 2400BPS 4800BPS <b>9600BPS</b> 19200BPS
DSR Signal (Displayed only when connected to a Serial Interface)	Select the validity of the received data. Valid: Checks the status of a DSR signal, and the data received when the DSR signal is in the SPACE state and is determined to be valid. If the data is received when the DSR signal is in MARK state, the data is determined to be invalid and discarded. Invalid: Regardless of the status of a DSR signal, all the received data is determined to be valid.	<b>Valid</b> Invalid
DTR Signal (Displayed only when connected to a Serial Interface)	Set a method to switch a DTR signal of serial interface.	<b>Ready on Power UP</b> Ready on Select
Busy Time (Displayed only when connected to a Serial Interface)	Set the minimum time between BUSY to READY.	<b>0.2 sec</b> 1 sec

ITEM	FUNCTION	SETTING
TOF Adjustment (Cut Sheet)	Select an adjustment value for the reference position in regard to the TOF position of cut-paper/passbooks. The position moves to the rear of the form by [+] and to the top of the form by [-] in 1/60 in increments.	-7 - -1 <b>0</b> +7 - +1
Rear Load Adjustment	Select an adjustment value for the reference position in regard to the TOF position of a continuous form. The position moves to the rear of the form by [+] and to the top of the form by [-] in 1/60 in increments.	-7 - -1 <b>0</b> +7 - +1
Cut Position Adjust	Select an adjustment value for the position to cut the end of a continuous form. (In 1/90 in increments)	-7 - -1 <b>0</b> +7 - +1
Registration Low	Adjust the print starting position on printing in the reverse direction. (The position moves to the right or left in 1/720 in increments.)	-10 - -1 <b>0</b> +10 - +1
Registration Normal	Adjust the print starting position on printing in the reverse direction. (The position moves to the right or left in 1/720 in increments.)	-10 - -1 <b>0</b> +10 - +1
Registration High1	Adjust the print starting position on printing in the reverse direction. (The position moves to the right or left in 1/720 in increments.)	-10 - -1 <b>0</b> +10 - +1
Registration High2	Adjust the print starting position on printing in the reverse direction. (The position moves to the right or left in 1/720 in increments.)	-10 - -1 <b>0</b> +10 - +1
LF Revise (Cut Sheet)	Adjust a line feed amount in cut-paper mode.	-14 - -1 <b>0</b> +14 - +1
Skew correction	Enables/disables skew correction and paper width detection.	Invalid <b>Valid</b>
Power on slice level adjust	Enables/disables slice level of the paper width detection sensor.	<b>Invalid</b> Valid



## INITIALISING MENU SETTINGS

To restore the menu settings to their initial values, carry out the steps below.

---

### NOTE

*The values adjusted by the Adjustment menus are not initialised by the following procedure.*

---

1. Set the Power Switch to OFF.
2. Press and hold down the SEL and SHIFT buttons together then set the Power Switch to ON.

## ADJUSTING TOF POSITION

Use the following procedure to set TOF to accord with the reference position (6.35 mm (0.25 in)). The reference position refers to the first line of the paper i.e. the position to which the printer feeds the paper when automatically loading the paper.

---

### NOTE

*Adjusting of TOF can be done in cut sheet mode or continuous forms mode.*

---

1. Print out the menu settings of the printer as in "[Confirming current settings](#)" on [page 26](#) and confirm that the TOF (in cut sheet mode or continuous forms mode) is 6.35 mm (0.25 in).
2. Set the Paper Type lever to the required paper type.
3. When continuous forms are used, place the paper on the Pin Tractor.  
For cut sheet mode, do not insert the paper at this stage.
4. In continuous forms mode, press the FF/LOAD button.  
In cut sheet manual feeding mode, press the FF/LOAD button and place the paper on the Paper Tray.  
The paper is taken into the default 6.35 mm (0.25 in) position.
5. Align the paper with the first print line position as follows:  
In off-line mode, press the following buttons to adjust the first printing line:  
To feed the paper forward by a small amount, hold down the SHIFT button and press the FF/LOAD button.  
To feed the paper backward by a small amount, hold down the SHIFT button and press the LF button.

---

### NOTE

*The correction range is between 2.12 mm (top of the paper) to 368.3 mm. If the specified correction is beyond this range, the settings will not be recognised by the printer.*

---

6. When the paper is positioned at the required TOF, release the buttons in Step 5 above.  
To save this position as the TOF, ensure the printer is off-line and press and hold down the SHIFT and PARK buttons for 3 seconds.

---

### NOTE

*Do not turn the Platen Knob or switch off the printer during the above procedure.*

---

## QUICK PRINTER SETTINGS

### PRINTER IMPACT MODE

When switched ON, the printer enters the impact mode selected in the menu. You can change this to normal speed and quiet printing without using the menus as follows.

### Normal speed printing

Use this for standard file printing operations.

1. Ensure the SEL indicator is illuminated.
2. Hold down the SHIFT button and press the TEAR button.  
The QUIET indicator turns off.

### Quiet printing

Use this for quieter printing.

1. Ensure the SEL indicator is illuminated.
2. Hold down the SHIFT button and press the TEAR button.  
The QUIET indicator is illuminated.

### Emphasis printing

#### CAUTION!

**Do not use emphasis printing if performing horizontal tab character printing on thin paper as the paper may become damaged.**

Use this for printing multipart forms.

You have to set emphasis printing by using the menus to set Impact Mode to Hi Copy as described in ["Menu setting" on page 26](#).

---

#### NOTE

- > *If the paper on top is so thick that duplication on the paper below it fails, use emphasis printing.*
  - > *In emphasis printing mode, printing is carried out twice.*
  - > *The print may become blurred if high density characters and graphics are printed using a new ribbon.*
  - > *In emphasis mode, ensure that the paper is flat to avoid possible printing errors.*
-

# TROUBLESHOOTING

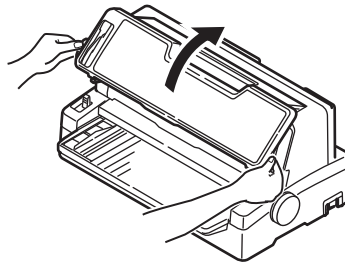
## CLEARING PAPER JAMS

### CUT SHEET PAPER JAMMED IN PRINTER

#### **WARNING!**

**Do not carry out any operations inside the printer with the Power Switch set to ON.**

1. Set the Power Switch to OFF.
2. Open the Top Cover.

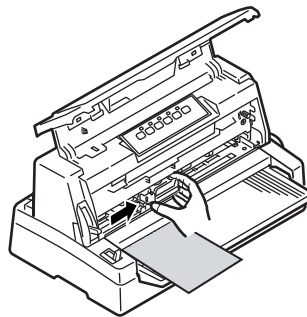


3. Set the Paper Thickness lever to the Replace Ribbon position (position 10).

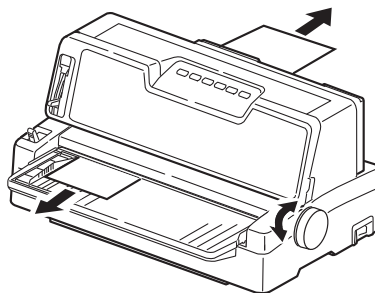
#### **WARNING!**

**The Print Head may be hot after printing. Allow it to cool before touching it.**

4. Move the Print Head away from the paper.



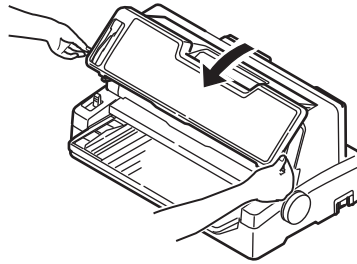
5. Rotate the Platen Knob in the relevant direction and pull the cut sheet out from the front or rear of the printer.



6. If a paper fragment remains inside the printer:
  - (a) use forceps to grip and extract it or
  - (b) insert a triple folded sheet from the Paper Tray and turn the Platen Knob to pass the folded sheet through and push out the paper fragment.



7. When the paper jams are cleared, close the printer Top Cover.



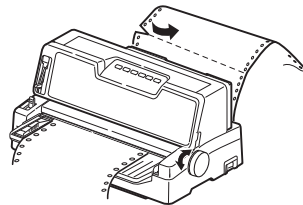
8. Set the Power Switch to ON.

#### CONTINUOUS FORMS JAMMED IN PRINTER

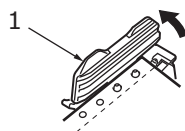
### WARNING!

**Do not carry out any operations inside the printer with the Power Switch set to ON.**

1. Set the Power Switch to OFF.
2. Tear off any unprinted continuous forms.



3. Raise each Pin Tractor cover (1) and remove the continuous forms from the Pin Tractors.



4. Rotate the Platen Knob and remove the forms from the front or rear of the printer.
5. If a form fragment remains inside the printer, place two or three forms in a stack on the Pin Tractors and turn the Platen Knob to push the fragment out of the printer.
6. Set the Power Switch to ON.

## RESPONDING TO ALARM CONDITIONS

Use the following table for guidance on how to respond to indicated alarm conditions.

INDICATOR		ALARM MEANINGS AND ACTIONS
SEL	ALARM	
OFF	ON	Paper has run out. Add paper and press the SEL button.
OFF	Flashing	The Paper Type lever is wrongly set for the type of paper in use. Press the SEL button and set the Paper Type lever to the correct position.
OFF	Flashing	Problem with cut sheet feeding. Remove the cut sheet.
Flashing	ON	Print data is received but printing does not start because no paper is being fed. Insert paper.
Flashing	Flashing	Printing cannot be resumed at this stage. Turn the power OFF, verify that the carriage moves properly, then turn the power ON again. If the problem is still there after you turn the power ON again, contact your dealer.

## RESPONDING TO GENERAL PROBLEMS

Use the following table to help you to identify symptoms with possible causes and take suggested remedial actions.

PROBLEM	CAUSE	ACTION
<b>No power</b>		
No power	The power cable is not properly connected.	Check the power cable is properly connected at both power outlet and printer.
	Power outlet problem or power outage.	Plug another appliance into this outlet to check if it works.
<b>No printing takes place</b>		
SEL indicator is unlit.	The printer driver is not installed properly.	Re-install the printer driver correctly.
	The printer has just stopped printing.	Press the SEL button.
	There is no paper in the printer.	Load paper.
SEL indicator is illuminated but no printing takes place.	Interface cable is disconnected.	Reconnect the interface cable.
	Wrong interface cable has been used.	Use correct interface cable.
The print head is moving but no printing takes place.	The ribbon cartridge has not been installed.	Install the ribbon cartridge.

<b>PROBLEM</b>	<b>CAUSE</b>	<b>ACTION</b>
<b>Print position offset</b>		
The horizontal printing position is offset.	The start position may change after the printer is powered on.	When the printer is powered ON, switch from off-line mode to on-line mode by pressing the SEL button. Reset the start position. You must set the Power Switch to OFF before you change the start position.
<b>Printing slows down</b>		
Print direction changes suddenly to unidirectional.	When the print head overheats, the printer automatically starts unidirectional split printing.	When the print head temperature drops sufficiently, the printer will return to its original operation.
<b>PE warning</b>		
The print carriage does not operate.	There is contamination on the carriage shaft.	Clean any paper dust and contamination from the carriage with a dry cloth.
<b>Print blurring</b>		
The characters are too pale to display properly on the paper.	The Paper Thickness lever position does not match the paper.	Correct the Paper Thickness lever setting.
	The printer is set to print at high speed.	Set the speed to normal.
	The ribbon has reached its end of life.	Replace the ribbon by a new one.
	The ribbon cartridge is not installed correctly.	Reinstall the ribbon cartridge correctly.
	The ribbon has been wound incorrectly.	Replace the ribbon cartridge by a new one.
	The ribbon is not transferring properly.	Replace the ribbon cartridge by a new one.
A line of print is missing.	Broken wire pins.	Contact your dealer.
<b>The printout differs from the screen display.</b>		
Printout of completely different characters or symbols.	Incorrect print setup for the user application.	Reselect print setup for the applications according to priority.
	The application control codes for the previous print operation are still enabled.	Initialise the printer.
	The input application control signal is not correct.	Print in hex dump mode and verify the data content. Make corrections in the application.
	The interface cable is not properly connected.	Reconnect the cable correctly.

<b>PROBLEM</b>	<b>CAUSE</b>	<b>ACTION</b>
Too high or too low TOF (where printing starts).	The TOF is not correctly selected.	Initialise the printer.
		Select correct TOF for cut sheet and continuous forms.
		Select the first-line print position and adjust the paper top position.
Too large or small left and/or right margins.	The left or right margin is not correctly selected.	Incorrect positions of the Paper Guide or Pin Tractors. Select and adjust the position again depending on the paper type.
		Reselect the left and right margins correctly in the application.
When continuous forms are used, the content of a single form is printed on two forms.	The paper length selected in the application does not match the physical paper length.	Match the paper length selected in the application with the physical paper length in use.
When cut sheets are used, the content of a single sheet is printed on two sheets.	The paper setting selected in the application does not match the physical paper size.	Match the paper setting selected in the application with the physical paper in use.
	It does not match the lines per page as the printer automatically detected.	Leave enough top and bottom margin in the application. Correct the cut sheet LF adjustment.
The content of a single line is printed in two lines.	The left and/or right margins are not correctly selected.	Reselect the left and right margins correctly in the application.
When continuous forms are used, several blank lines appear in the printout.	Tear-off perforation spacing is selected.	Cancel tear-off perforation spacing.
Broken and uneven vertical lines.	This may happen in bi-directional printing.	Use Print Registration in the adjustment mode to adjust.
Too large or small line spacing.	Line spacing is not selected correctly.	Reselect line spacing correctly in the application.
<b>Split print</b>		
Blanks appear in graphic printout.	This is a paper feed error, which is especially notable in printing regular characters.	This is not a failure.
Blanks or deformed characters appear in double height type or other extended types.	This is a paper feed error due to line feeding in printing a single character.	This is not a failure. Use the printer's built-in fonts when you print important documents or bills.

PROBLEM	CAUSE	ACTION
<b>Improper cut sheet feed</b>		
No paper feed.	Sheets are located off the paper guide.	Load sheets with their left edges against the paper guide for paper width 90 - 148 mm.
	Sheets are not loaded to the end.	Load sheets to the end.
The platen rotates without paper feed, or continuous forms instead of cut sheets are fed.	Sheets are not loaded to the end.	Load sheets to the end.
	The printer is in the continuous forms mode.	Eject the continuous forms and select cut sheet mode for the printer.
Paper distortion.	Sheets are not loaded to the end, or they are not inserted straight.	Load sheets to the end.
	Paper with wrinkles, folds or other defects.	Change paper.
	Paper not specified for the printer.	Use paper types specified for the printer.
Unable to eject.	The FF/LOAD button is pressed.	Press the PARK button.
<b>Improper continuous forms feed.</b>		
No line feed, and no paper feed.	Paper is off the Pin Tractors.	Reload paper correctly.
	The adjust lever position does not match the paper type.	Set the adjust lever to the correct position.
Paper distortion or jam.	Forms are loaded with their left holes out of line with the right ones.	Load forms with their left holes in line with the right ones.
	Inadequate distance between the left and right Pin Tractors, making for loose paper.	Relocate the Pin Tractors to tighten the paper.
	Skew paper feeding.	Move the paper to make it straight if skew correction mode is not enabled or enable skew correction mode for automatic skew correction.
	Paper movement is blocked.	Remove the blockage.
	Paper source is too far from the printer.	Move the paper source nearer to the printer.
	Paper not specified for the printer.	Use paper types specified for this printer.
Several blank lines appear in the printout.	Skip over perforation spacing is selected.	Cancel the skip over perforation spacing.



PROBLEM	CAUSE	ACTION
The selected skip over perforation spacing does not match the physical tear-off perforation positions.	The paper length selected in the application does not match the physical paper length.	Match the paper length selected in the application with the physical paper length in use. Select the paper length in number of lines in the application.
<b>Abnormal switchover between cut sheet and continuous forms modes.</b>		
No cut sheet feed.	The printer is in continuous forms mode.	Set the Paper Type lever to cut sheet mode.
No continuous forms feed.	The printer is in cut sheet mode.	Set the Paper Type lever to continuous forms mode.
Paper feed operations for both cut sheets and continuous forms are actuated.	The cut sheet is not ejected.	Eject the cut sheet.

## CLEANING YOUR PRINTER

To keep your printer in good operating condition, you are advised to clean it regularly.

### WARNING!

**Set the printer Power Switch to OFF and disconnect the power cable from the printer before cleaning the printer.**

### PRINTER EXTERIOR

### CAUTION!

**Keep the Top Cover closed to avoid the possibility of detergent entering the printer**

Clean the exterior of the printer as required, but at least every six months or 300 hours of operation, whichever comes first.

1. Moisten a piece of cotton cloth with diluted neutral detergent and carefully wipe the printer exterior.

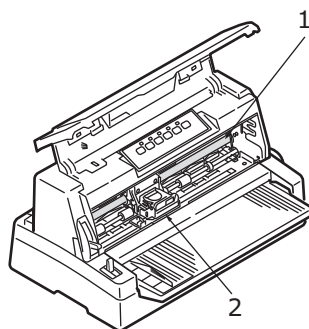
### PRINTER INTERIOR

### WARNING!

**As the print head becomes hot during printing, allow it to cool before carrying out any cleaning inside the printer. Do not use any flammable solvents for cleaning the printer to avoid any risk of fire or electric shock.**

Clean the interior of the printer every 6 months or 300 hours of operation, whichever comes first.

Using a soft cloth, cotton swabs and a vacuum cleaner, clean the interior of the printer as follows:



WHERE TO CLEAN	WHAT TO CLEAN
The carriage (1) and the area around it	Clean and remove paper waste, dirt, dust and ribbon shreds.
The paper travel surface (2)	

## **CAUTION!**

**When you clean the interior of the printer with a vacuum cleaner, do not attempt to clean any parts smaller than the suction nozzle. Do not clean any interior working parts with the suction nozzle to avoid possible damage to the printer.**

## CONSUMABLES AND ACCESSORIES

### CONSUMABLES

When the printed image becomes faint or incomplete, replace the ribbon cartridge.

#### CHANGING A RIBBON CARTRIDGE

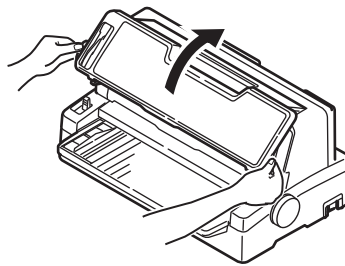
#### CAUTION!

**Only use genuine Original consumables to ensure the best quality and performance from your hardware. Non Original products may damage your printer's performance and invalidate your warranty.**

#### WARNING!

**Do not change the ribbon cartridge with the Power Switch set to ON.**

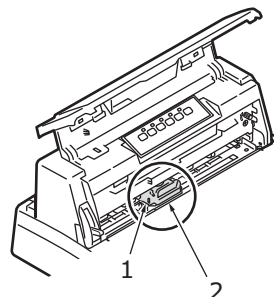
1. Set the Power Switch to OFF.
2. Set the Paper Thickness lever to Replace Ribbon (position 10) and open the Top Cover.



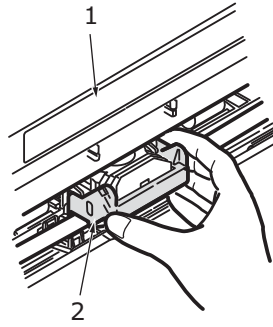
#### WARNING!

**The print head and area around it may be hot after printing. Allow it to cool down before touching it.**

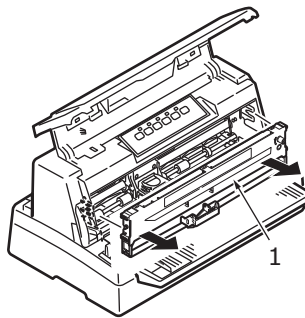
3. Move the carriage (1) to the cutout (2) for ribbon replacement position.



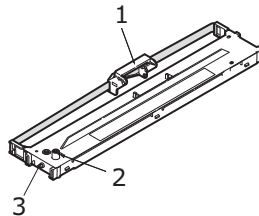
4. Hold the ribbon cartridge (1) with your fingers pressing on its ribbon guide (2) and slope it up and out to remove it from the carriage.



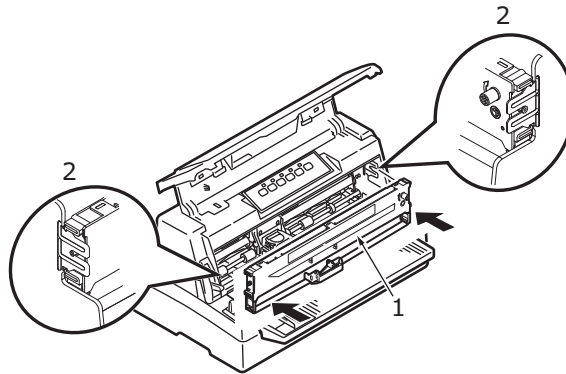
5. Holding the ribbon cartridge (1) close to both ends, slope it up and out until it unlocks then remove it along the direction indicated by the arrows.



6. Dispose of the cartridge in accordance with your local guidelines.
7. Remove the new ribbon cartridge from its wrapping and note the position of the Ribbon Guide (1), Knob (2) and Pin (3).



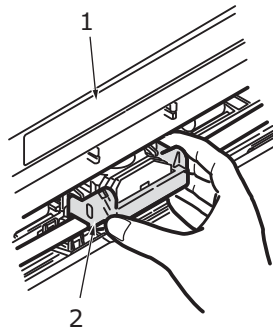
8. In the direction indicated by the arrows, insert the pins at both ends of the ribbon cartridge (1) into the U grooves (2) in the printer until the ribbon cartridge is fully locked.



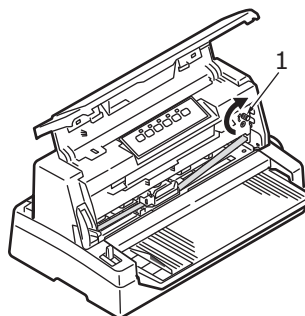
**NOTE**

*It may be easier to mount the ribbon cartridge in place if you align it with the topside of the grooves. Also, a slightly loose ribbon may make it easier to mount the ribbon cartridge.*

9. Hold the ribbon cartridge (1) with your fingers pressing on its ribbon guide (2) and slope it upward and inward along the guide rails until the ribbon guide (2) comes in line with the U slot at the top of the cartridge.



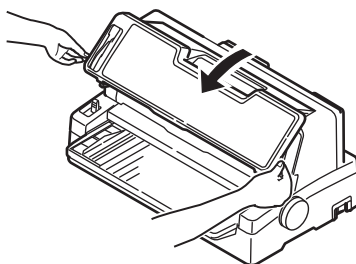
10. Turn the knob (1) clockwise (in the direction of the arrow) to wind up the ribbon.



**CAUTION!**

**Do not turn the knob anticlockwise as the ribbon might jam.  
Make sure that the ribbon is not twisted or damaged when it goes through the gap between the Print Head and the ribbon guide.**

11. Close the printer Top Cover.



12. Set the Paper Thickness lever to match the paper being used. (See "Setting the Paper Thickness lever" on page 22.)
13. Set the printer Power Switch to ON.

### CONSUMABLE ORDER INFORMATION

ITEM	LIFE	ORDER NO.
Ribbon cartridge (Black)	4 million characters	43503601

### ACCESSORIES

The following accessories are available for your printer:

- > RS-232C Serial Interface
- > 100BASE-TX/10BASE-T Network Interface

Installation instructions are supplied with the accessories. The Network Configuration Guide on the CD that accompanies the Network Interface card provides detailed configuration information .

### ACCESSORY ORDER INFORMATION

ITEM	ORDER NO.
RS-232C Serial Interface	09002351
100BASE-TX/10BASE-T Network Interface	please contact your OKI dealer.

## SPECIFICATIONS

ITEM	SPECIFICATION
Model No.	D21010B
Print method	Impact dot matrix
Print head	24 pins, 0.2 mm (0.0079 in) diameter
Print direction	Bi-directional, short-line-seeking printing, Unidirectional printing
Print speed High Speed Draft (HSD) Letter Quality (LQ) Utility	400cps @ 10 cpi 100 cps @ 10 cpi 300 cps @ 10 cpi
Line Feed (LF) time	Approximately 65 ms per line for LF of 4.23 mm (1/6 in)
Form Feed (FF) speed	Approximately 114.3 mm/s (4.5 in/s)
Paper feed control	Paper feed: yes Vertical tab: yes Direct line feed: yes
Duplication capability	Continuous forms: the original page +5 more pages (total maximum paper thickness less than 0.36 mm) Cut sheet: the original page +5 more pages (total maximum paper thickness less than 0.36 mm)
Feeding direction	Feed forward Feed backward
Feeding mode	Friction feed mode (front) Push tractor feed mode (rear)
Continuous forms tape tail detection method	Detected when remaining paper is approximately 6.35 mm long. It can, however, print till about 14.8 mm from the paper bottom (measured at the centre of the characters). (The print accuracy of the last page cannot be guaranteed.)
Character sets	Standard ASCII Epson (Italics/Graphics) Foreign Code Page Bar Code
Cut-sheet paper Paper width  Paper length  Single-part Weight  Multipart Weight Number of copies Thickness	90 to 304.8 mm (3.54 to 12 in) 148 to 304.8 mm (5.82 to 12 in) (skew correction mode) 55 to 420 mm (2.17 to 16.53 in)  52 to 209 gsm 64 to 209 gsm (skew correction mode) 40 gsm standard Original plus 5 copies 0.36 mm (0.014 in) maximum



ITEM	SPECIFICATION
Continuous Paper Paper width Paper length Single-part Weight Pressure-sensitive Weight Number of copies Thickness Multipart-carbon-lined or multipart-interleaf Weight Number of copies Thickness	76.2 to 304.8 mm (3 to 12 in) 76.2 to 355.6 mm (3 to 14 in) 52 to 128 gsm 30 to 40 gsm standard Original plus 5 copies 0.36 mm (0.014 in) maximum 30 to 40 gsm standard  Original plus 5 copies 0.36 mm (0.014 in) maximum Multiple-part paper should be fastened by spot-pasting or crimping on both sides, and should be free of wrinkles.
Original OKI cartridge ribbon Ink color Ribbon life	Black 4 million characters (Utility mode)
Print head life	300 million dots per pin
Printer Life	5 years
Dimensions	440 mm (W) x 210 mm (H) x 339 mm (D) with platen knob installed
Weight	7.6 kg
Power rating Voltage Frequency	220 – 240V ± 10% 50/60 Hz ± 3%
Power consumption Operation Standby mode Powersave mode	Typ. 60 W 15 W 6 W
Power cable	3 - core AC power cable, 2.0 m length
Interfaces	Bi-directional parallel, IEEE1284-1994 USB 2.0 RS-232C (optional accessory) 100BASE-TX/10BASE-T (optional accessory)
Dust and corrosion	Use the printer in a general office environment.
Environmental conditions Operating Storage	5°C – 40°C, 30% – 85% RH (Testing condition for print precision: 15°C – 30°C, 40% – 70%RH) -20°C – 60°C, 0% – 95% RH When the printer is stored, it should be in its original packaging, with no moisture formation.
Standard usage Average power on time Average printing time	200 h/month 50 h/month (text density on page: 35%)
Noise level	The acoustic noise of this product is less than 58 dB (A) as measured in accordance with EN ISO 7779.

# INDEX

## A

- accessories
  - list..... 47
  - ordering..... 47
- alarm indications..... 37
- aligning perforations ..... 21

## B

- button switches..... 25

## C

- cleaning
  - exterior ..... 42
  - interior..... 42

## D

- drivers..... 14

## E

- ejecting paper
  - continuous forms..... 21
  - cut sheet..... 18
- emphasis printing ..... 34

## F

- fault finding..... 37

## I

- indicators ..... 24
- interface
  - network ..... 13
  - parallel..... 13
  - serial..... 13
  - USB..... 13

## L

- loading paper
  - continuous forms..... 19
  - cut sheet..... 17

## M

- menu settings
  - changing ..... 26
  - confirming ..... 26
  - initialising ..... 33
  - list..... 27

## N

- normal speed printing..... 34

## P

- paper handling
  - set free ..... 17
  - skew correction ..... 16
- paper jams
  - continuous forms..... 36
  - cut sheet..... 35
- printer
  - control panel..... 24
  - location ..... 10
  - parts ..... 9
  - test print..... 12
- printing files ..... 15

## Q

- quiet printing ..... 34

## R

- ribbon
  - changing..... 44
  - ordering..... 47

## S

- setting paper thickness..... 22
- specifications ..... 48
- switching ON..... 11

## T

- test page..... 14
- TOF
  - saving ..... 33
  - setting ..... 33

## U

- user guide
  - list ..... 7
  - printing..... 8

## OKI CONTACT DETAILS

### **Okí Systems (UK) Limited**

Blays House  
Wick Road  
Egham  
Surrey  
TW20 0HJ

Tel: +44 (0) 1784 274300  
Fax: +44 (0) 1784 274301  
<http://www.oki.co.uk>

### **Okí Systems Ireland Limited**

The Square Industrial Complex  
Tallaght  
Dublin 24

Tel: +353 (0) 1 4049590  
Fax: +353 (0) 1 4049591  
<http://www.oki.ie>

### **Okí Systems Ireland Limited - Northern Ireland**

19 Ferndale Avenue  
Glengormley  
BT36 5AL  
Northern Ireland

Tel: +44 (0) 7767 271447  
Fax: +44 (0) 1 404 9520  
<http://www.oki.ie>

Technical Support for all Ireland:

Tel: +353 1 4049570  
Fax: +353 1 4049555  
E-mail: [tech.support@oki.ie](mailto:tech.support@oki.ie)

### **OKI Systems (Czech and Slovak), s.r.o.**

IBC – Pobřežní 3  
186 00 Praha 8  
Czech Republic

Tel: +420 224 890158  
Fax: +420 22 232 6621  
Website: [www.oki.cz](http://www.oki.cz), [www.oki.sk](http://www.oki.sk)

### **Okí Systems (Deutschland) GmbH**

Hansaallee 187  
40549 Düsseldorf

Tel: 01805/6544357\*\*  
01805/OKIHELP\*\*  
Fax: +49 (0) 211 59 33 45  
Website:  
[www.okiprintingsolutions.de](http://www.okiprintingsolutions.de)  
[info@oki.de](mailto:info@oki.de)

\*\*0,14€/Minute aus dem dt. Festnetz  
der T-Com (Stand 11.2008)

### **Διανομέας των συστημάτων OKI**

CPI S.A1 Rafailidou str.  
177 78 Tavros  
Athens  
Greece

Tel: +30 210 48 05 800  
Fax: +30 210 48 05 801  
EMail: [sales@cpi.gr](mailto:sales@cpi.gr)

### **Okí Systèmes (France) S.A.**

44-50 Av. du Général de Gaulle  
94246 L'Hay les Roses  
Paris

Tel: +33 01 46 15 80 00  
Télécopie: +33 01 46 15 80 60  
Website: [www.oki.fr](http://www.oki.fr)

### **OKI Systems (Magyarország) Kft.**

Capital Square  
Tower 2  
7th Floor  
H-1133 Budapest,  
Váci út 76  
Hungary

Telefon: +36 1 814 8000  
Telefax: +36 1 814 8009  
Website: [www.okihu.hu](http://www.okihu.hu)

### **OKI Systems (Italia) S.p.A.**

via Milano, 11,  
20084 Lacchiarella (MI)

Tel: +39 (0) 2 900261  
Fax: +39 (0) 2 90026344  
Website: [www.oki.it](http://www.oki.it)

### **OKI Printing Solutions**

Platinum Business Park II, 3rd Floor  
ul. Domaniewska 42  
02-672 Warsaw  
Poland

Tel: +48 22 448 65 00  
Fax: +48 22 448 65 01  
Website: [www.oki.com.pl](http://www.oki.com.pl)  
E-mail: [oki@oki.com.pl](mailto:oki@oki.com.pl)  
Hotline: 0800 120066  
E-mail: [tech@oki.com.pl](mailto:tech@oki.com.pl)

### **Okí Systems (Ibérica) S.A.**

Sucursal Portugal  
Edifício Prime -  
Av. Quinta Grande 53  
7º C Alfragide  
2614-521 Amadora  
Portugal

Tel: +351 21 470 4200  
Fax: +351 21 470 4201  
Website: [www.oki.pt](http://www.oki.pt)  
E-mail : [oki@oki.pt](mailto:oki@oki.pt)

### **Okí Service**

**Serviço de apoio técnico ao Cliente**

Tel: 808 200 197  
E-mail : [okiserv@oki.pt](mailto:okiserv@oki.pt)

### **OKI Europe Ltd. (Russia)**

Office 702, Bldg 1  
Zagorodnoye shosse  
117152, Moscow

Tel: +74 095 258 6065  
Fax: +74 095 258 6070  
e-mail: [info@oki.ru](mailto:info@oki.ru)  
Website: [www.oki.ru](http://www.oki.ru)

Technical support:

Tel: +7 495 564 8421  
e-mail: [tech@oki.ru](mailto:tech@oki.ru)

### **Okí Systems (Österreich)**

Campus 21  
Businesszentrum Wien Sued  
Liebermannstrasse A02 603  
22345 Brun am Gebirge

Tel: +43 223 6677 110  
Drucker Support:  
+43 (0) 2236 677110-501  
Fax Support:  
+43 (0) 2236 677110-502  
Website: [www.oki.at](http://www.oki.at)

### **OKI Europe Ltd. (Ukraine)**

Raisy Opkinoy Street,8  
Building B, 2<sup>nd</sup> Floor,  
Kiev 02002  
Ukraine

Tel: +380 44 537 5288  
e-mail: [info@oki.ua](mailto:info@oki.ua)  
Website: [www.oki.ua](http://www.oki.ua)

### **OKI Sistem ve Yazıcı Çözümleri Tic. Ltd. Şti.**

Harman sok Duran Is Merkezi,  
No:4, Kat:6,  
34394, Levent  
İstanbul

Tel: +90 212 279 2393  
Faks: +90 212 279 2366  
Web: [www.oki.com.tr](http://www.oki.com.tr)  
[www.okiprintingsolutions.com.tr](http://www.okiprintingsolutions.com.tr)

### **Okí Systems (Belgium)**

Medialaan 24  
1800 Vilvoorde

Helpdesk: 02-2574620  
Fax: 02 2531848  
Website: [www.oki.be](http://www.oki.be)

### **AlphaLink Bulgaria Ltd.**

2 Kukush Str.  
Building "Antim Tower", fl. 6  
1463 Sofia, Bulgaria

tel: +359 2 821 1160  
fax: +359 2 821 1193  
Website: <http://bulgaria.oki.com>

### **OKI Printing Solutions**

Herstedøstervej 27  
2620 Albertslund  
Danmark

Adm.: +45 43 66 65 00  
Hotline: +45 43 66 65 40  
Salg: +45 43 66 65 30  
Fax: +45 43 66 65 90  
Website: [www.oki.dk](http://www.oki.dk)

### **Okí Systems (Finland) Oy**

Polaris Capella  
Vänrikinkuja 3  
02600 Espoo

Tel: +358 (0) 207 900 800  
Fax: +358 (0) 207 900 809  
Website: [www.oki.fi](http://www.oki.fi)

### **Okí Systems (Holland) b.v.**

Neptunstraat 27-29  
2132 JA Hoofddorp

Helpdesk: 0800 5667654  
Tel: +31 (0) 23 55 63 740  
Fax: +31 (0) 23 55 63 750  
Website: [www.oki.nl](http://www.oki.nl)

### **Okí Systems (Norway) AS**

Tevlingveien 23  
N-1081 Oslo

Tel: +47 (0) 63 89 36 00  
Telefax: +47 (0) 63 89 36 01  
Ordrefax: +47 (0) 63 89 36 02  
Website: [www.oki.no](http://www.oki.no)

**General Systems S.R.L.  
(Romania)**

Sos. Bucuresti-Ploiesti Nr. 135.  
Bucharest 1  
Romania

Tel: +40 21 303 3138  
Fax: +40 21303 3150  
Website: <http://romania.oki.com>

Var vänlig kontakta din Återförsäljare  
i första hand, för konsultation. I andra  
hand kontakta

**Oki Systems (Sweden) AB**

Borgafjordsgatan 7  
Box 1191  
164 26 Kista

Tel. +46 (0) 8 634 37 00

e-mail:

[info@oki.se](mailto:info@oki.se) för allmänna frågor om  
Oki produkter

[support@oki.se](mailto:support@oki.se) för teknisk support  
gällandes Oki produkter

Vardagar: 08.30 - 12.00,  
13.00 - 16.00

Website: [www.oki.se](http://www.oki.se)

**Oki Systems (Schweiz)**

Baslerstrasse 15  
CH-4310 Rheinfelden

Support deutsch +41 61 827 94 81

Support français +41 61 827 94 82

Support italiano +41 061 827 9473

Tel: +41 61 827 9494

Website: [www.oki.ch](http://www.oki.ch)

**OKI EUROPE LIMITED**

Blays House  
Wick Road  
Egham  
Surrey TW20 0HJ  
United Kingdom

Tel: +44 (0) 208 219 2190  
Fax: +44 (0) 208 219 2199

**WWW.OKIPRINTINGSOLUTIONS.COM**

