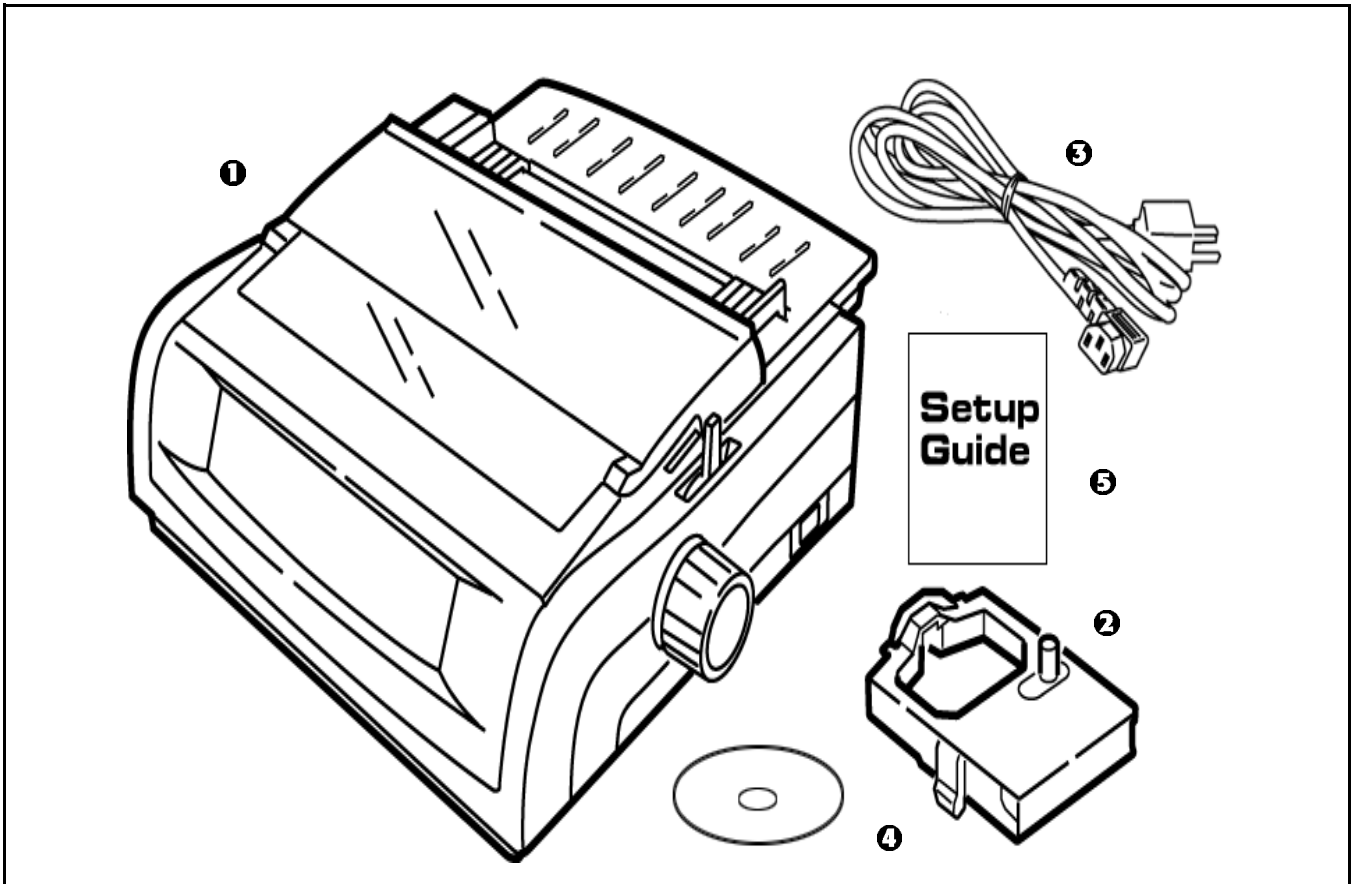
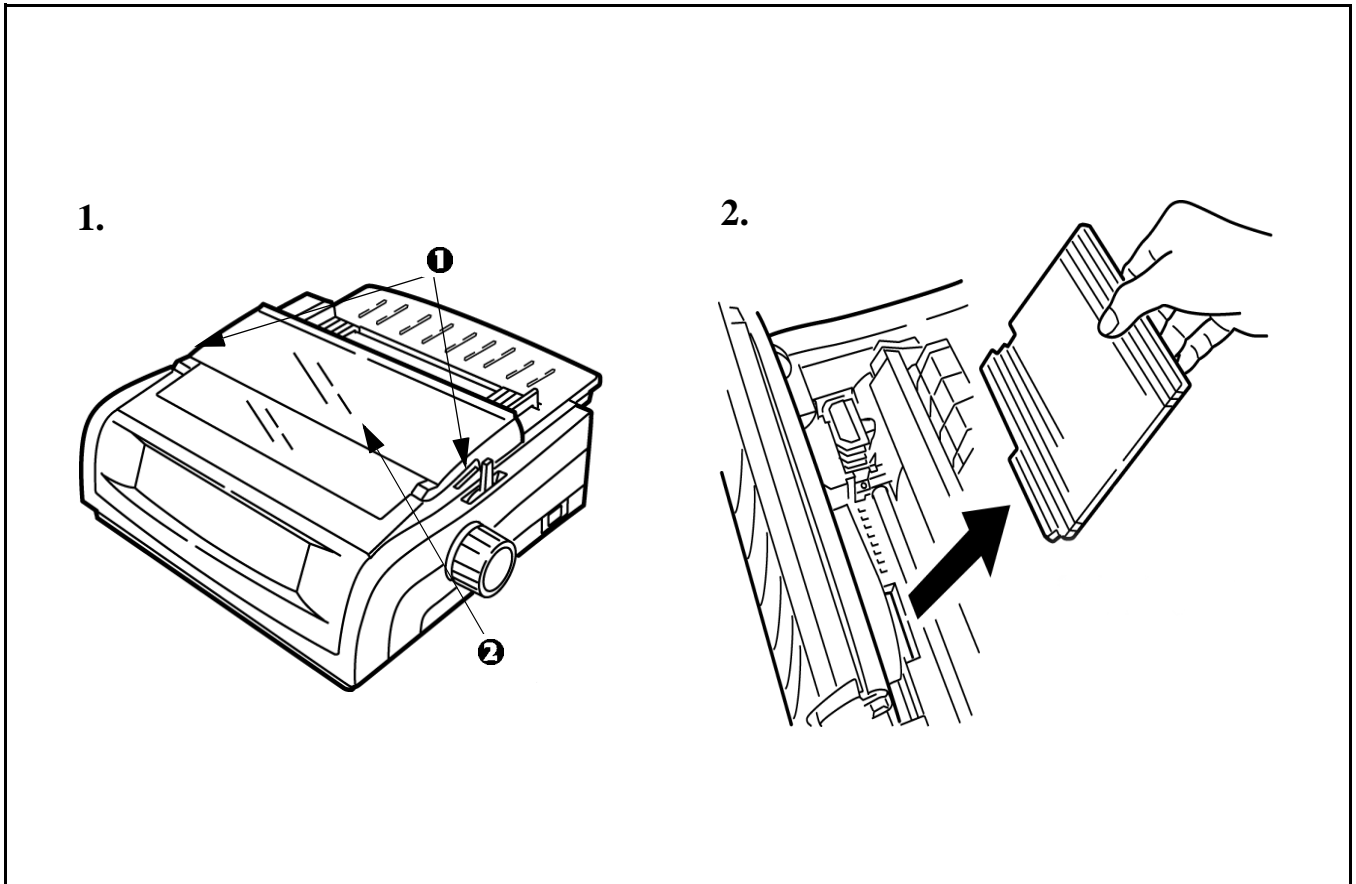

Microline 420/421 & 490/491



Check the contents:

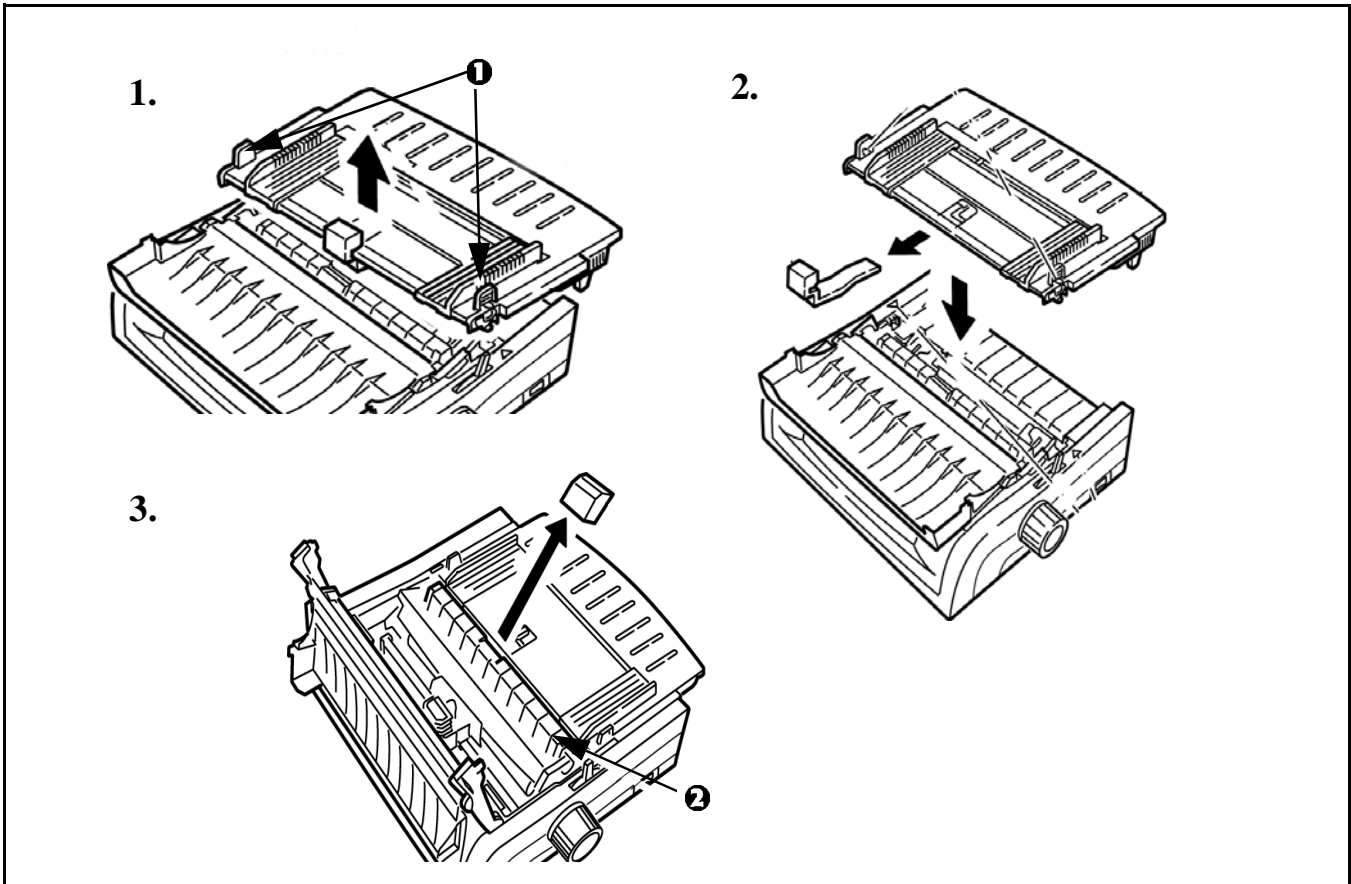
- | | |
|---------------------|-------------------------------------------|
| 1. Printer | 4. CD with drivers and on-line User Guide |
| 2. Ribbon cartridge | 5. Setup Guide |
| 3. Power Cable | |

Microline 420/421 & 490/491



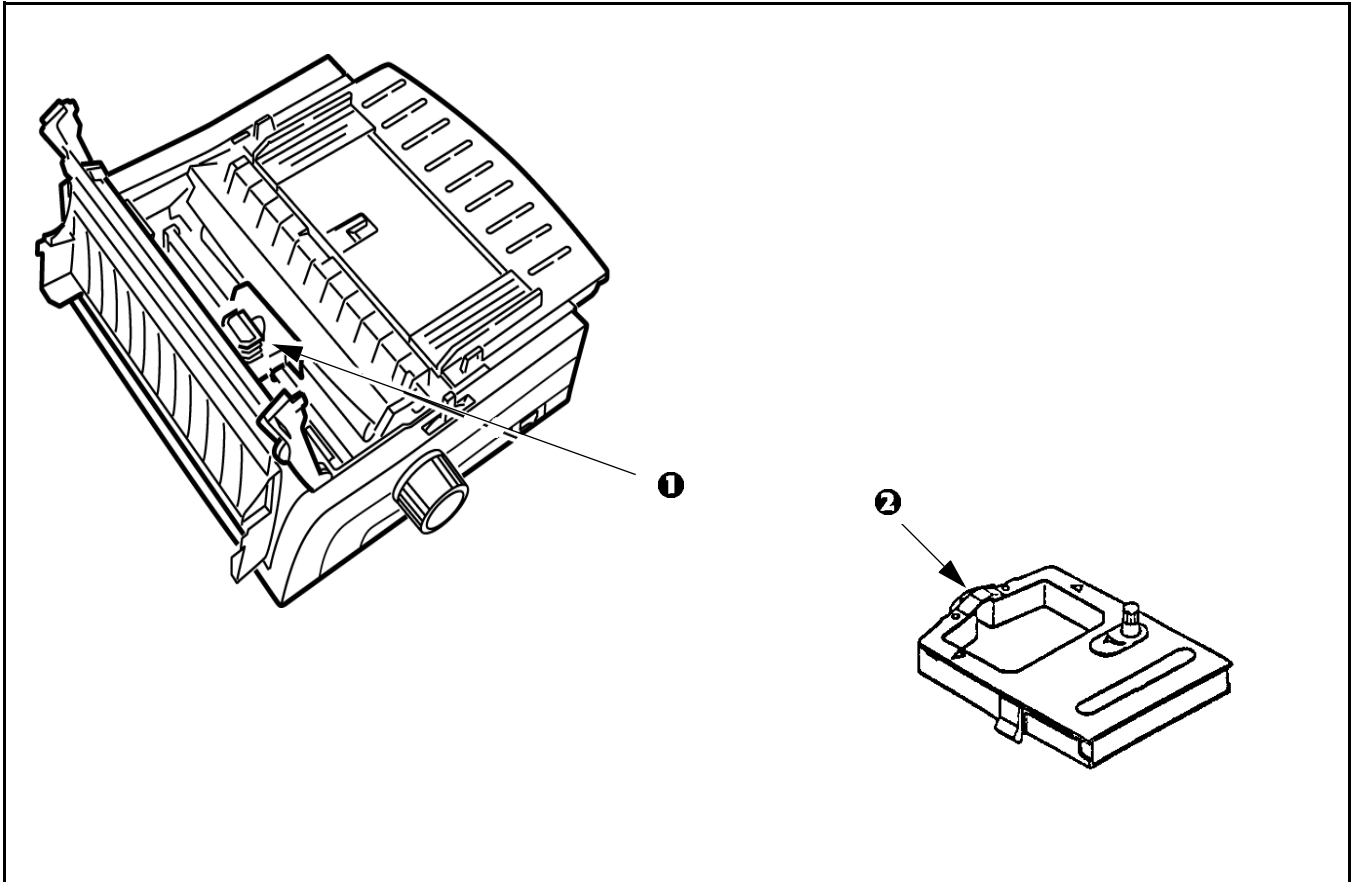
1. Grasp tabs (1) and open access cover (2).
2. Remove printhead shipping retainer.

Microline 420/421 & 490/491



1. Grasp tabs (1) and remove the paper separator.
2. Remove protective material. Replace the paper separator.
3. Remove protective material from the pull-up roller assembly (2).

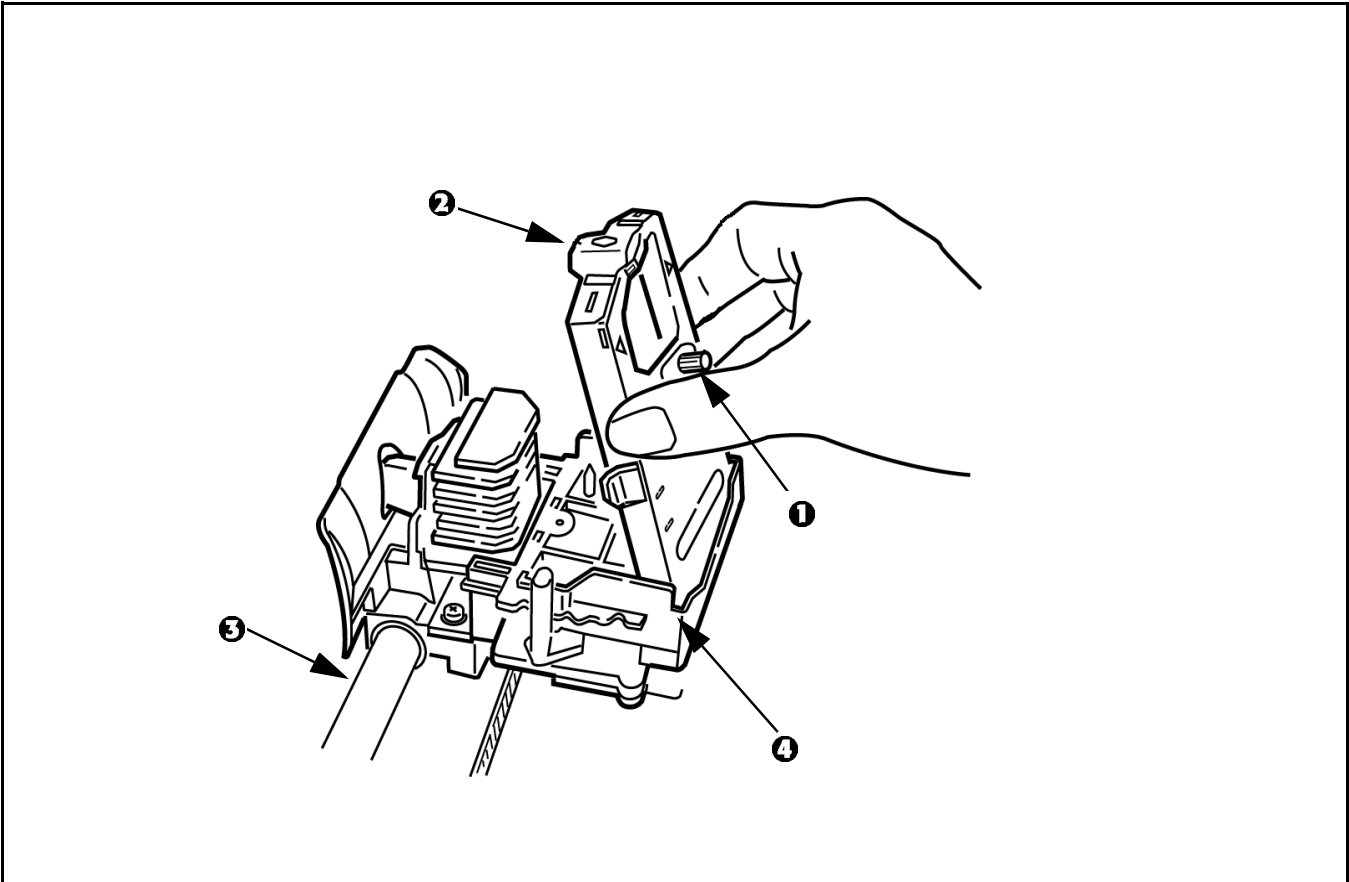
Microline 420/421 & 490/491



1. With access cover open, grasp printhead (1) and slide to center.
2. Remove ribbon cartridge from packaging.

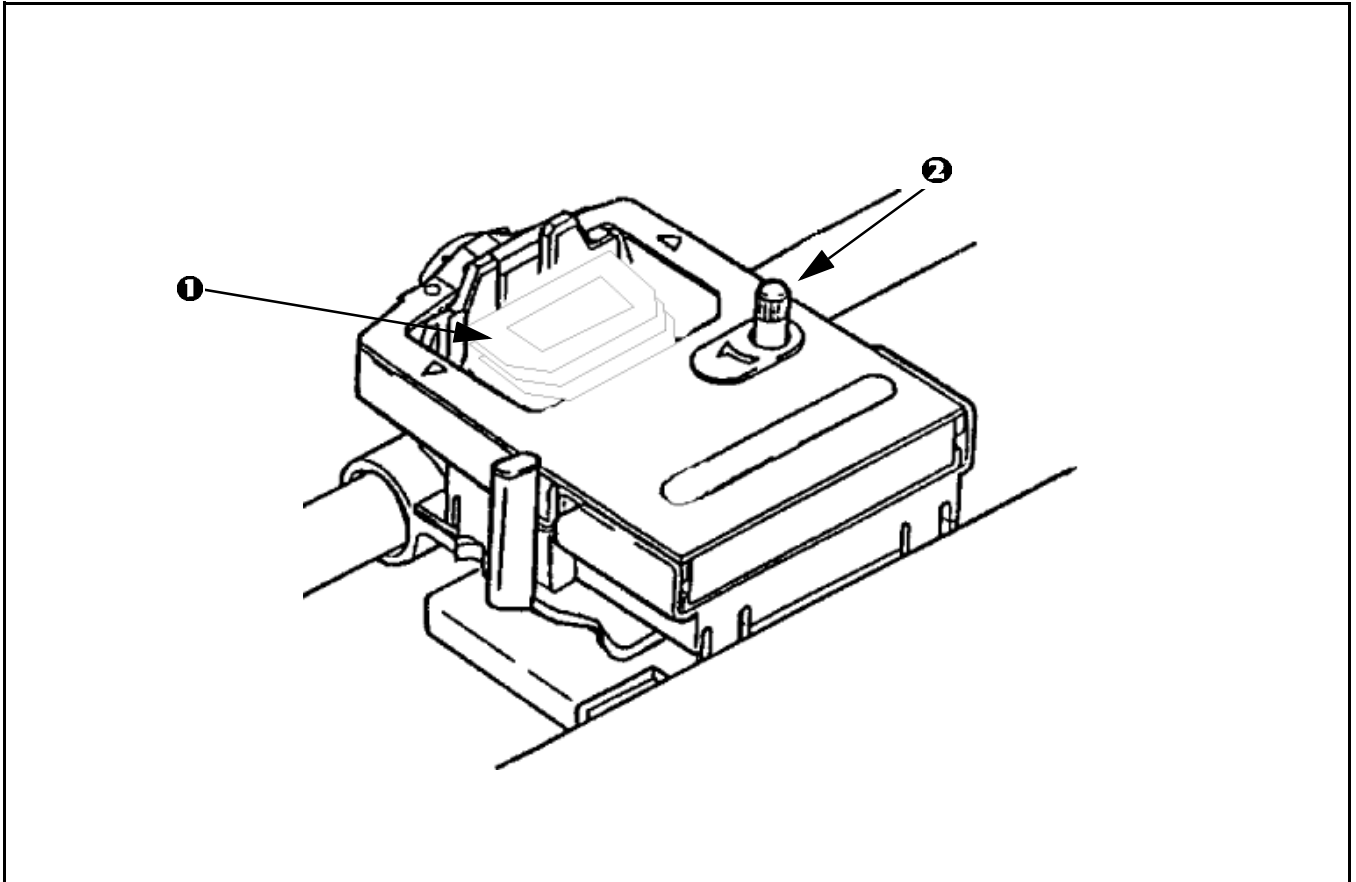
! **Important!** Leave the clear plastic ribbon shield (2) on the cartridge.

Microline 420/421 & 490/491



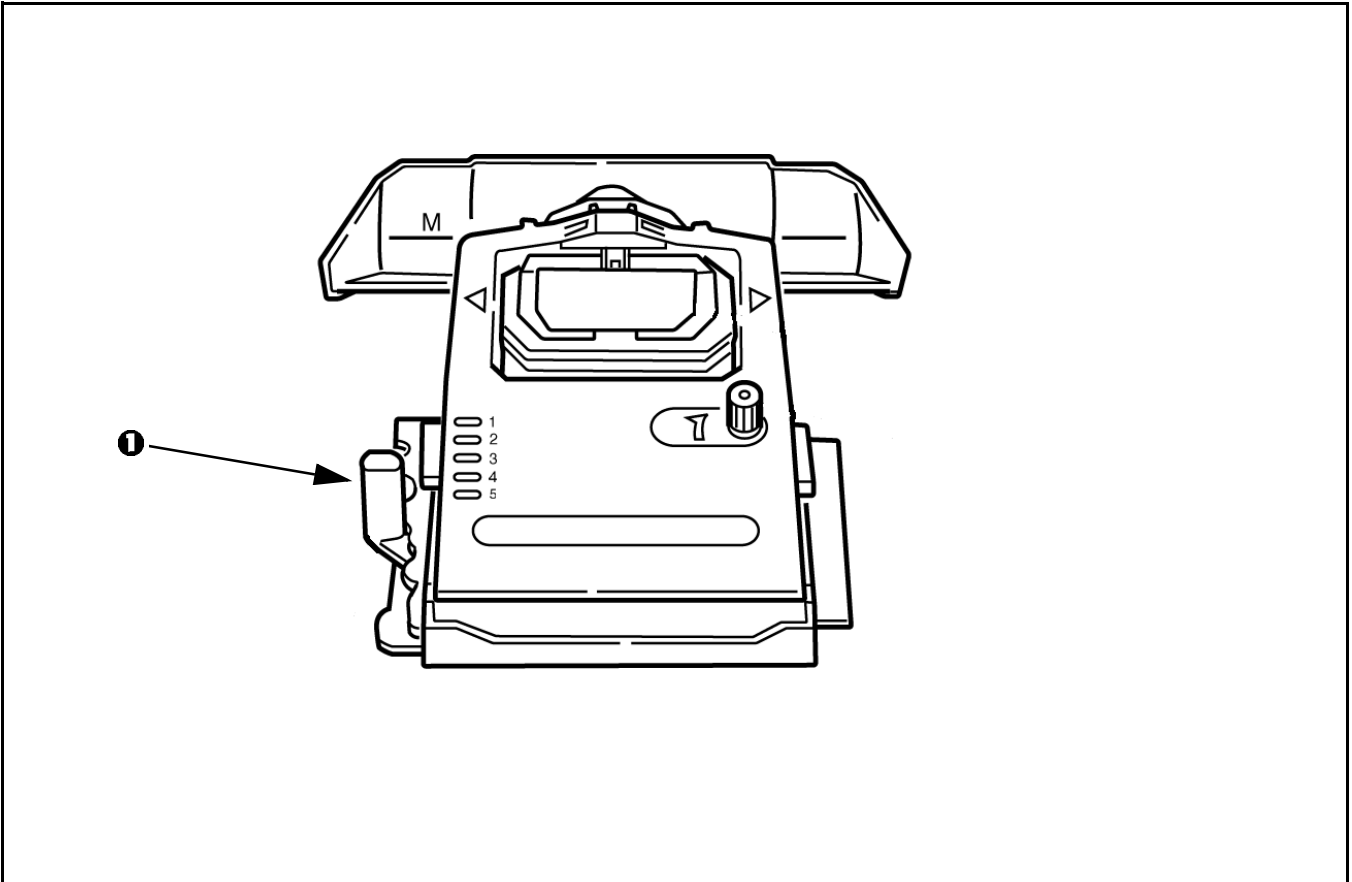
1. Hold ribbon cartridge as shown with knob (1) up and ribbon shield (2) facing platen (3).
2. Fit grooves on sides at back end of cartridge over pins on ribbon plate (4).

Microline 420/421 & 490/491



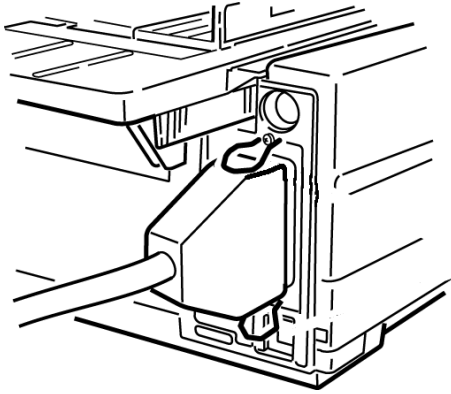
1. Lower front of cartridge over printhead (1) until it snaps into place.
2. Turn knob (2) clockwise to take up ribbon slack.

Microline 420/421 & 490/491

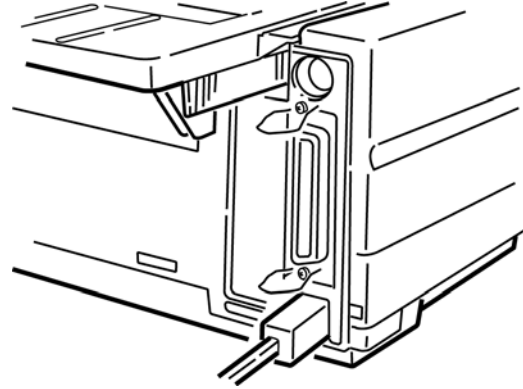


Set the headgap lever (1) for the number of sheets in the forms you are using from 1-4. Use setting 5 for envelopes or extra-thick paper. Adjust setting for the best print quality.

Microline 420/421 & 490/491



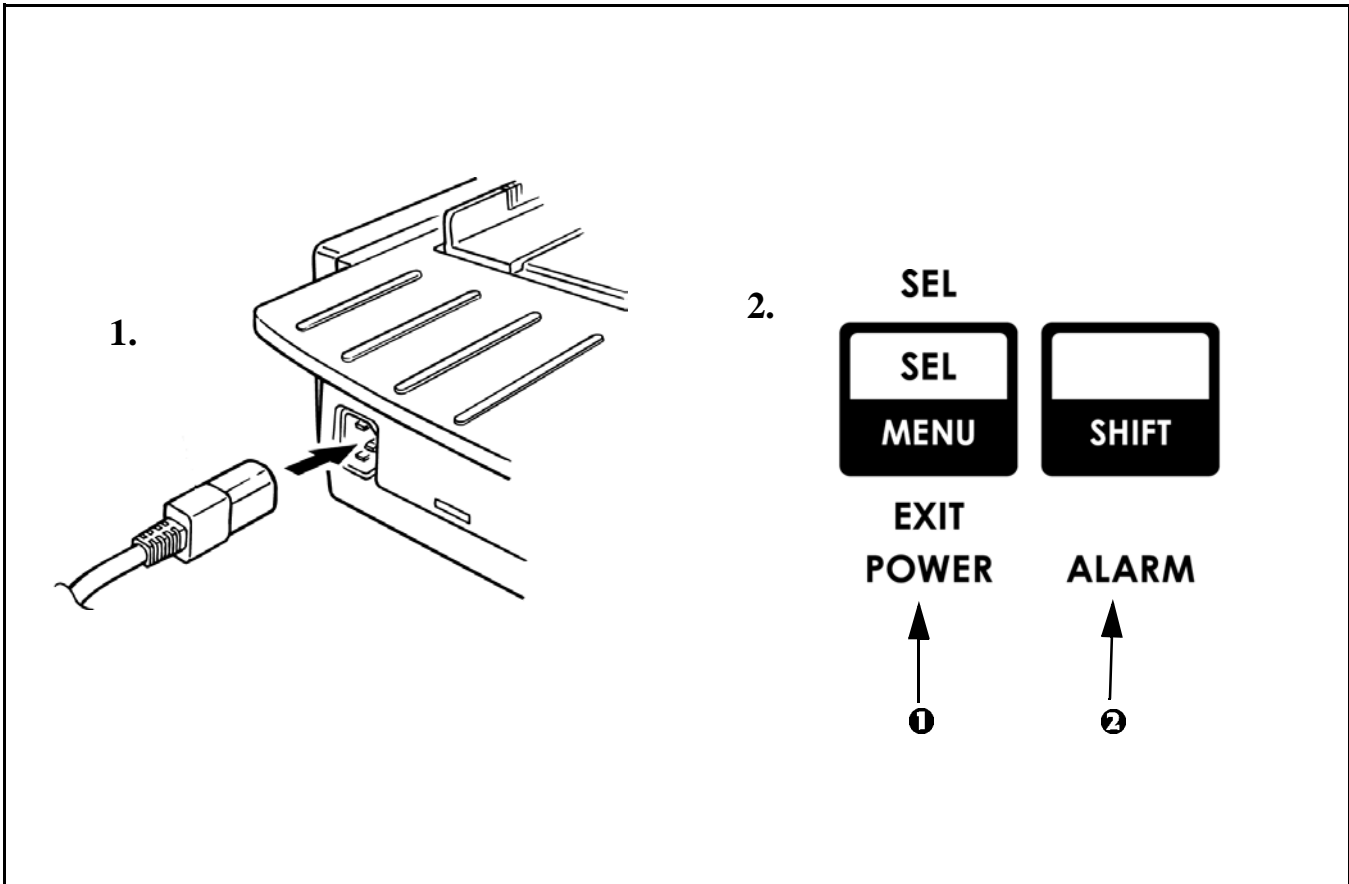
Parallel



USB

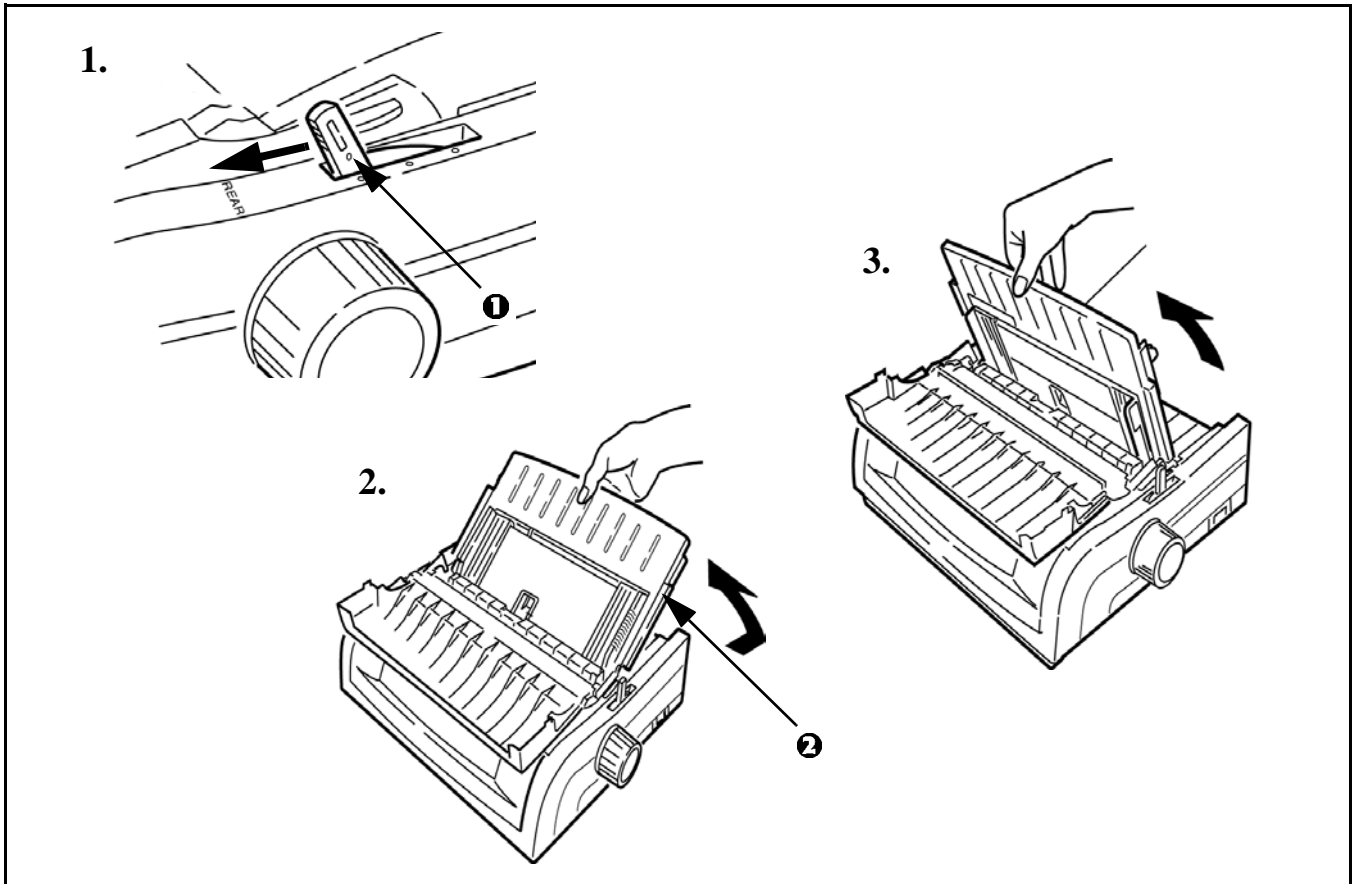
1. Make sure both printer and computer are OFF.
 2. Plug interface cable into printer port. Plug other end into computer.
- ! *Parallel cable must be shielded, no longer than 6 ft (1.8m), and IEEE 1284-compatible.*

Microline 420/421 & 490/491



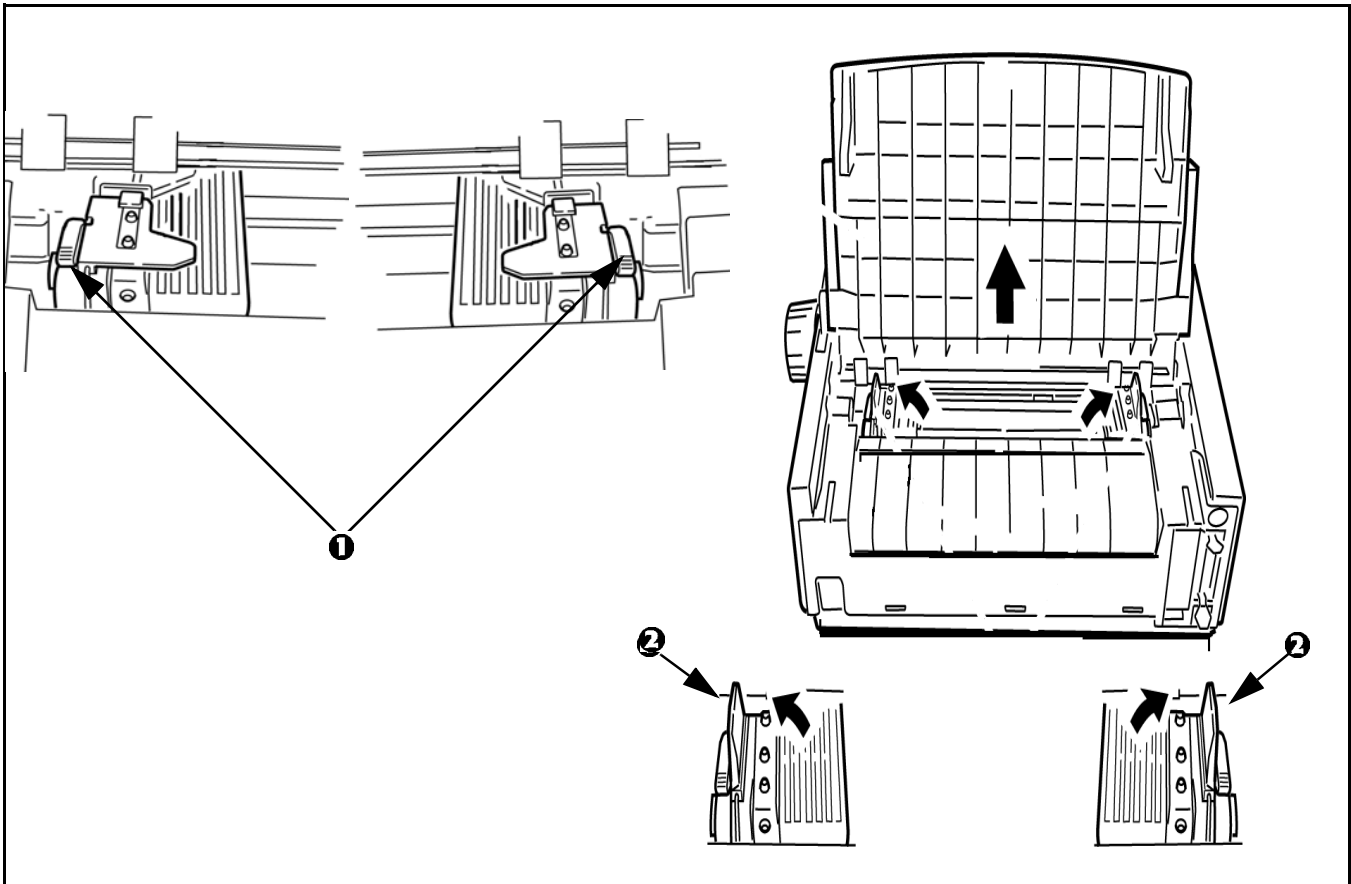
1. Plug power cord into printer. Plug other end into a grounded outlet.
2. Turn the printer on. POWER light (1) comes on and ALARM light (2) comes on because paper is not loaded.

Microline 420/421 & 490/491



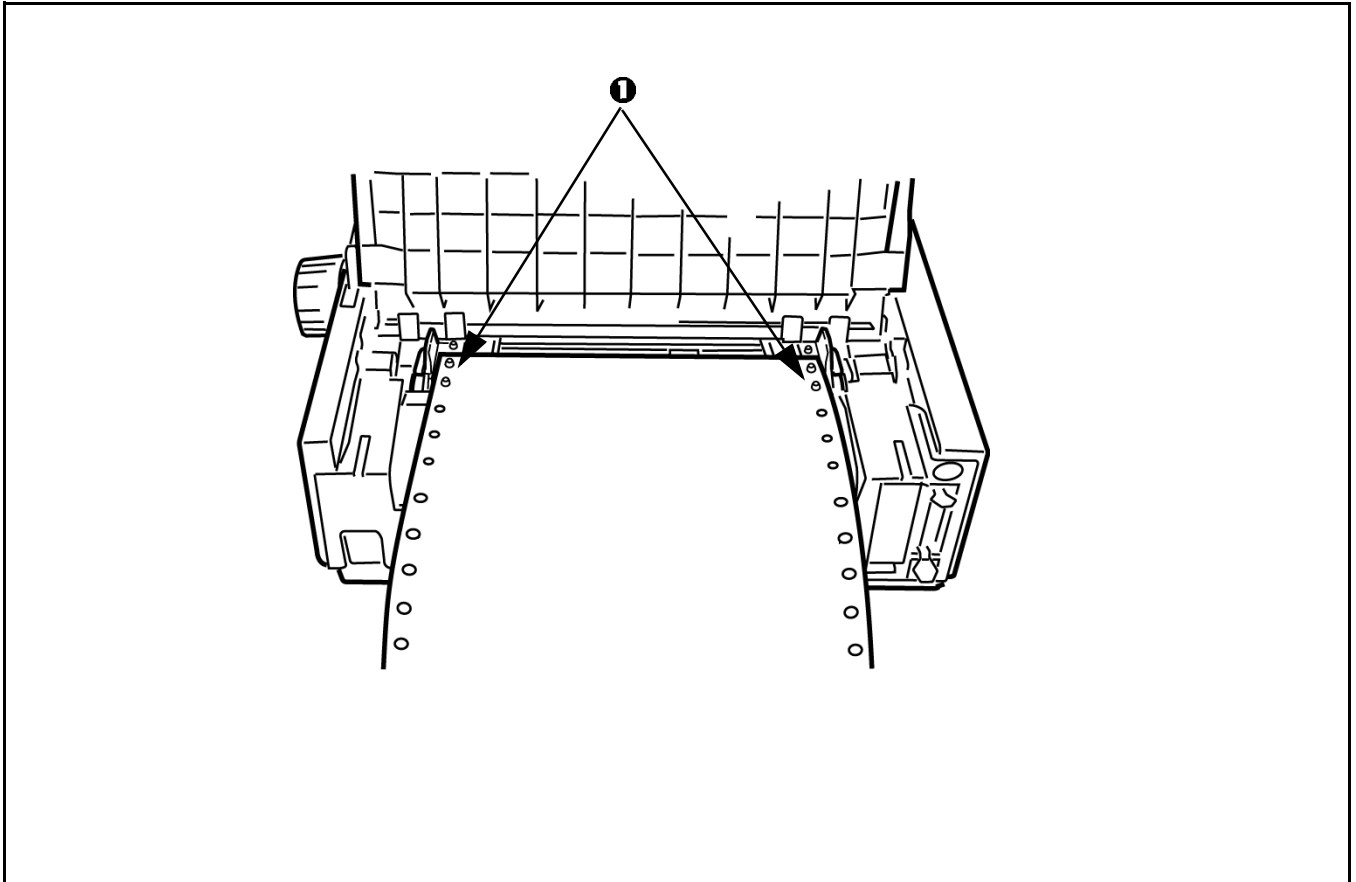
1. Move the paper lever (1) to "REAR" position.
2. Grasp the paper separator (2). Lift slightly then slide back.
3. Pivot forward and rest gently against the roller assembly.

Microline 420/421 & 490/491



1. *Above view is from rear.* Locate tractors. Pull up on tractor lock levers (1) to release tractors.
2. Position right-hand tractor for width of paper. *See paper size reference marks on printer.*
3. Open the tractor covers (2). *This action raises the paper separator.*

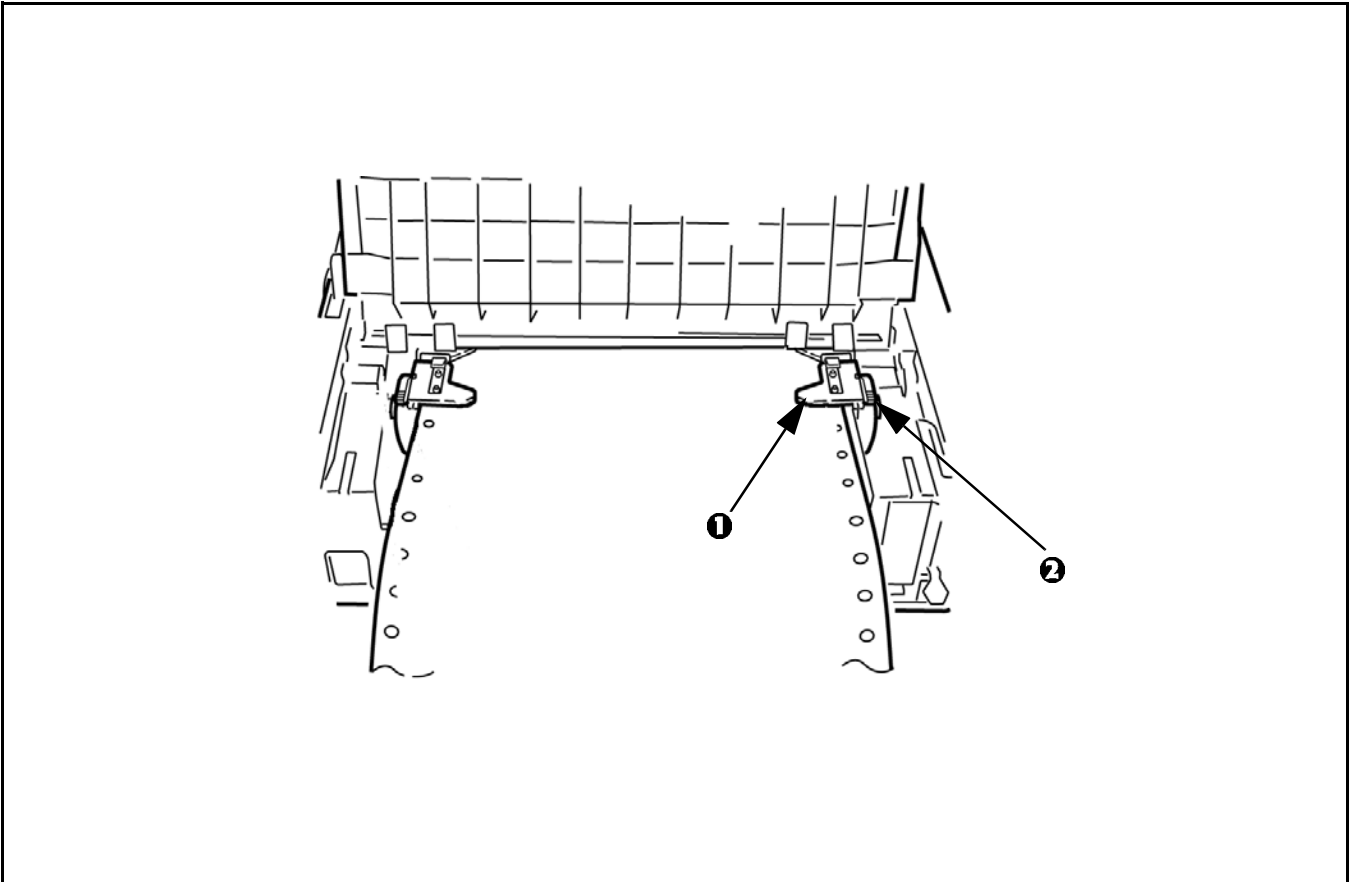
Microline 420/421 & 490/491



Pull paper and place first two holes on each side over tractor pins (1).

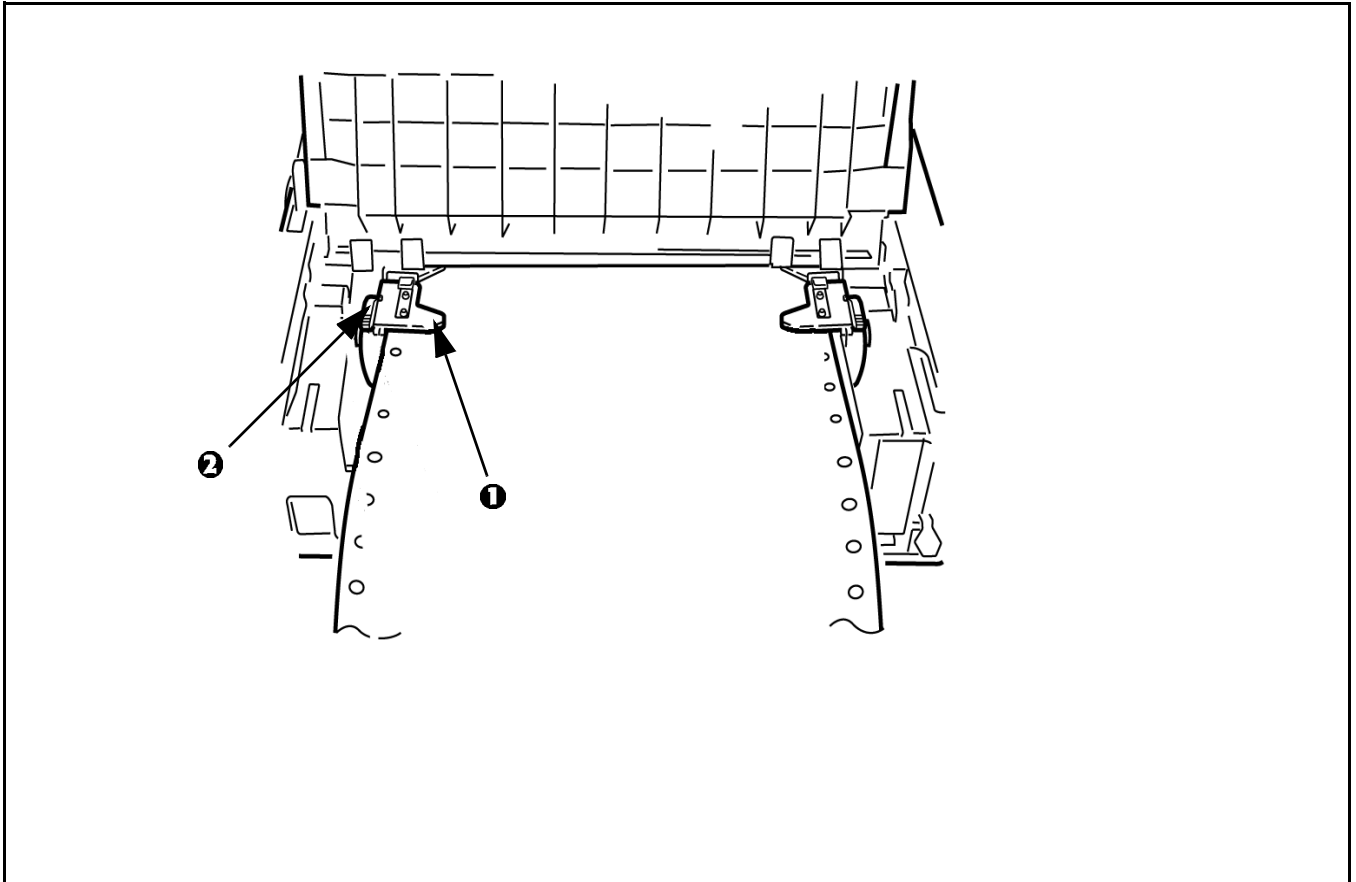
! *Equal number of paper holes must be engaged on each tractor to ensure proper paper feed.*

Microline 420/421 & 490/491



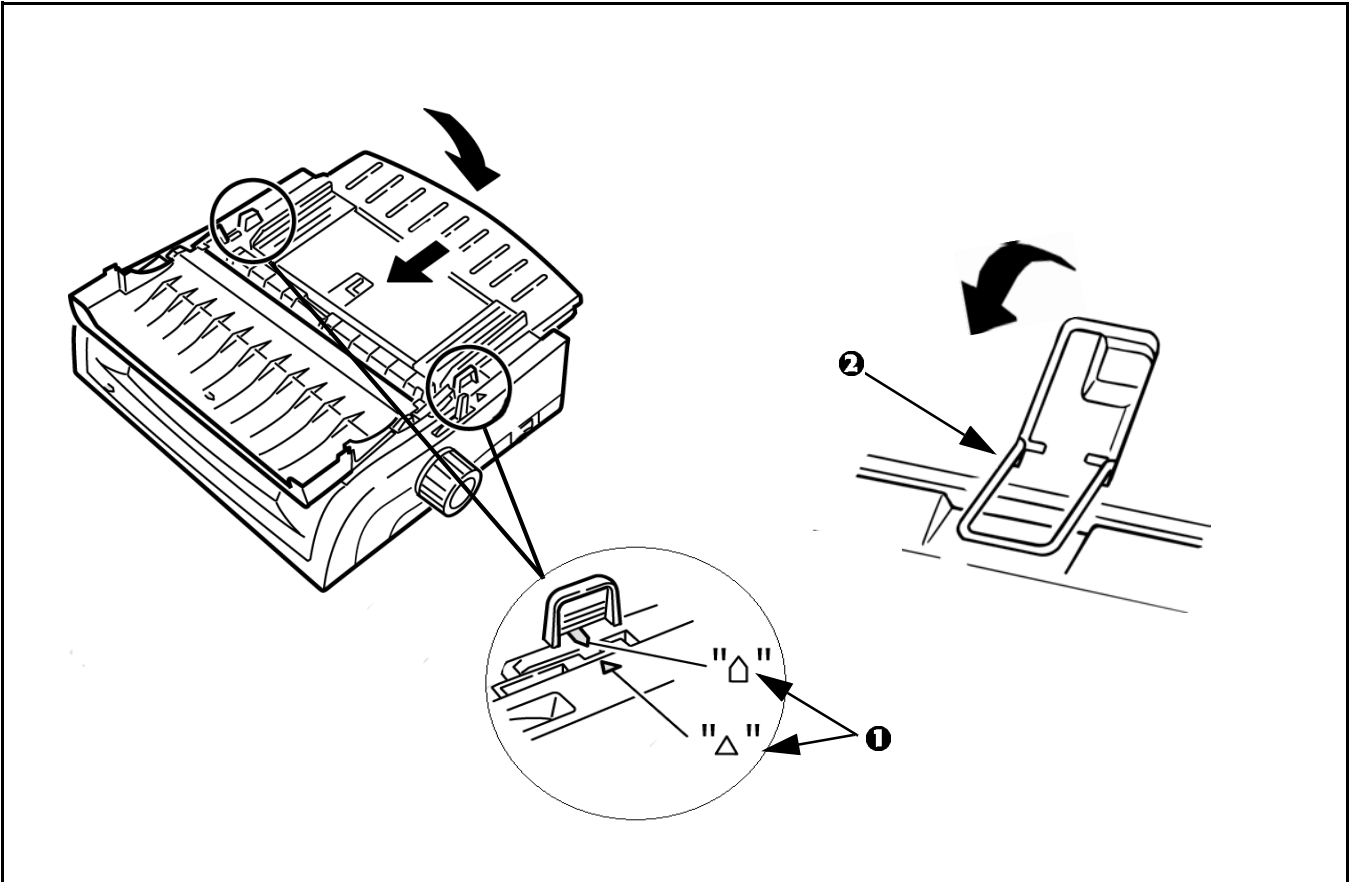
1. Close right tractor cover (1).
2. Push down on lock lever (2) to lock tractor.

Microline 420/421 & 490/491



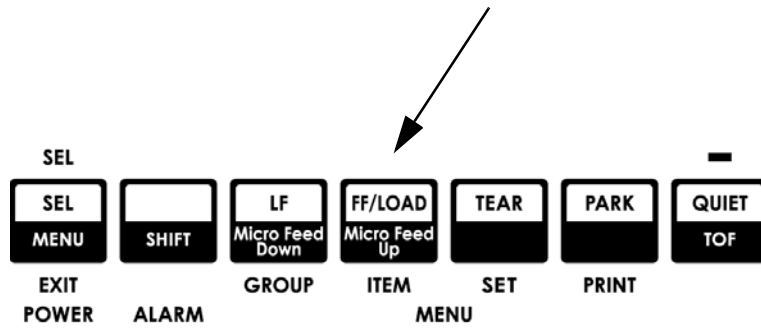
1. Position left tractor so that paper holes are centered on pins and paper is not stretched or too loose which could cause jams. Close tractor cover (1).
2. Push down on lock lever (2) to lock tractor.

Microline 420/421 & 490/491



1. Replace the paper separator. Make sure the marks (1) are aligned.
2. Swing over the wire paper feed guide (2) to rest on roller assembly.

Microline 420/421 & 490/491



Push FF/LOAD button. Paper feeds into printer and ALARM light goes out.

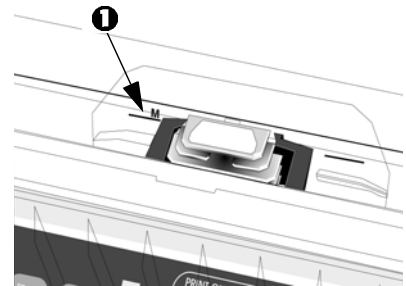
! *For instructions on loading single sheet paper, see the User's Guide on the CD.*

Microline 420/421 & 490/491

Setting the Top of Form (TOF) Position

The factory default setting for the Top of Form (TOF) (where the printing should begin) is one inch down from the top of the page. The first line prints at the red line on the plastic paper shield (1).

Your software may print the first line of print above or below where TOF is set. You may need to adjust the TOF to meet your software's needs.



Determine the Forms Tear-Off Setting

How you set TOF is determined by the Forms Tear-Off setting. Forms Tear-Off automatically moves the paper from the initial printing position to the tear-off position, allowing a printed page to be torn off without wasting paper or adjusting the printer. Forms Tear-Off is factory set to OFF.

Setting Top of Form with Forms Tear-Off set OFF

1. Press SEL/MENU to take the printer off line. The SEL light goes out.
2. Press and hold SHIFT, then press LF/MICRO Feed Down or FF/LOAD/Micro Feed up.

! For steps to set Forms Tear Off ON and adjust TOF, refer to the User's Guide on the CD provided with your printer. See "Using Your Printer, Top of Form (TOF)."

! To avoid TOF mis-alignment, always turn the printer off before turning the platen knob!

Microline 420/421 & 490/491

Install Printer Software

Parallel Interface

1. Turn the printer on.
2. Insert the CD into your CD-ROM drive. The CD will AutoPlay. *(If AutoPlay is set off, click Start→Run→Browse. Browse to your CD-ROM drive and double-click Install.exe, then click OK.)*
3. Select your printer model.
4. License Agreement appears. Click **Next**.
5. The **Menu Installer** appears, click the **Printer Software** button.
6. Follow the on-screen instructions.

Microline 420/421 & 490/491

Install Printer Software

USB Interface

Windows® 98

! *Before you start the install, be sure the USB cable is connected to your printer and PC, and your printer is powered off.*

1. Turn the printer on.
2. Insert the CD-ROM provided with your printer.
3. **Add New Hardware Wizard** appears. Click **Next**.
4. Select **Search for a better driver...** Click **Next**.
5. Select **CD-ROM** and specify the location. Click **Next**.
6. Windows finds the OKI USB Driver. Click **Next**. Click **Finish**.
*If the OKI Menu Installer displays, click **Cancel** to close it and continue the installation using Add Printer Wizard.*
7. The printer is detected. Click **Next**.
8. Select **Search for the best driver...** Click **Next**.
9. Select **Specify a location** and click **Browse**.
10. Browse to your CD-ROM drive, Drivers, [Printer Model], [Operating System], [Language]. Click **OK**.
11. Click **Next**.
12. Follow the on-screen instructions to finish the installation.

Windows® 2000

! *Before you start the install, be sure the USB cable is connected to your printer and PC, and your printer is powered off.*

1. Turn on the printer.
2. The **Found New Hardware Wizard** appears. Click **Next**.
3. Insert the CD-ROM provided with your printer.
*If the OKI Menu Installer displays, click **Cancel** to close it and continue the installation using Add Printer Wizard.*
4. Select **Search for a suitable driver...** Click **Next**.
5. Select **CD-ROM drive** and **Specify a location**. Click **Next**.
6. Browse to your CD-ROM drive, Drivers, [Printer Model], Win2K, [Language], oemprint.inf. Click **Open**. Click **OK**.
7. Windows indicates the driver is found for this device. Click **Next**.
*If Digital Signature Not Found displays, click **Yes**.*
8. Click **Finish**.

Microline 420/421 & 490/491

Install Printer Software

USB Interface

Windows® Me

! *Before you start the install, be sure the USB cable is connected to your printer and PC, and your printer is powered off.*

1. Turn on the printer.
2. Insert the CD-ROM provided with your printer.
3. The **Add New Hardware Wizard** appears. Click **Next**.
4. Oki USB port driver is installed. Click **Finish**.
5. **Add New Hardware Wizard** appears. Click **Automatic Search...** Click **Next**.
6. Follow the on-screen instructions to finish the installation.

Windows® XP

! *Before you start the install, be sure the USB cable is connected to your printer and PC, and your printer is powered off.*

1. Turn on the printer.
2. The **Found New Hardware Wizard** appears.
3. Insert the CD-ROM provided with your printer.
4. Select **Install the software automatically...** Click **Next**.
5. Select [Printer Model] / Xp / [Language] / oemprint.inf. Click **Next**.
If a warning message appears, select Continue Anyway.
6. Follow the on-screen instruction to finish the installation.

Microline 420/421 & 490/491

See the On-Line User's Guide

The complete on-line User's Guide is provided on the CD. You can view the User's Guide on the CD, or, to load in on your hard drive:

1. Insert the CD into your CD-ROM drive. The CD will AutoPlay. *(If AutoPlay is set off, click Start→Run→Browse. Browse to your CD-ROM drive and double-click Install.exe, then click OK.)*
2. Select your printer model.
3. The **Menu Installer** appears. Click the **Documentation** button.
4. Click the **Install User's Guides** button.
5. Follow the on-screen instructions.

To open the User's Guide from your hard drive, click Start→Programs→Oki Data→ML User's Guide.

Consult the User's Guide for information on

- operating your printer
- menu selections
- problem solving
- maintenance and service.

Microline 420/421 & 490/491

Service and Support

If you need further assistance or have questions, see our web site:

<http://my.okidata.com>

In the U.S. and Canada, call;

1-800-OKI-Data (1-800-654-3282)

24 hours a day, 7 days a week

OKI is a registered trademark of Oki Electric Industry Company, Ltd.
Microsoft and Windows are either registered trademarks or trademarks of Microsoft Corporation in the United States and other countries.