

User's Guide



Copyright Information

Copyright © 2008 by Oki Data. All Rights Reserved

Document Information

C9650 User's Guide

P/N 59306401

Revision 1.2

August, 2008

Disclaimer

Every effort has been made to ensure that the information in this document is complete, accurate, and up-to-date. The manufacturer assumes no responsibility for the results of errors beyond its control. The manufacturer also cannot guarantee that changes in software and equipment made by other manufacturers and referred to in this guide will not affect the applicability of the information in it. Mention of software products manufactured by other companies does not necessarily constitute endorsement by the manufacturer .

While all reasonable efforts have been made to make this document as accurate and helpful as possible, we make no warranty of any kind, expressed or implied, as to the accuracy or completeness of the information contained herein.

The most up-to-date drivers and manuals are available from the web site:

<http://www.okiprintingsolutions.com>

Trademark Information

Oki and Oki Printing Solutions are registered trademarks of Oki Electric Industry Company Ltd.

Adobe and PostScript are registered trademarks of Adobe Systems.

Apple, Macintosh, Mac, and Mac OS are registered trademarks of Apple Computers Inc.

Hewlett-Packard, HP, and LaserJet are registered trademarks of Hewlett-Packard Company.

Microsoft, MS-DOS and Windows are either registered trademarks or trademarks of Microsoft Corporation in the United States and/or other countries.

Other product names and brand names are registered trademarks or trademarks of their proprietors.

CONTENTS

Notes, cautions and warnings!	6
Safety warnings	6
Introduction	12
Features	12
About this guide.	14
Software supplied.	15
Online usage	16
Printing pages	16
Printer and paper overview	18
Opening and closing the top cover	18
Identifying major components	19
Paper recommendations	25
Paper input and output information	26
Trays and stackers	27
Trays 1 to 5	27
MP tray.	27
Face-down stacker.	28
Face-up stacker.	28
Duplex unit (if installed)	28
Tray and stacker examples	29
Loading Trays 1 to 5	29
Using the MP Tray	31
Using the stackers	34
Control panel	36
Buttons and lights	36
Display Panel messages	38
Status information	38
Menu (Functions) information	38
Configuration information	39
Help mode	39
Display Panel messages	39
Using the menus	39
Getting started	41
Printer location	41
Turning Off/On.	42
Turning Off	42
Turning On	44
Changing the display language	44
Checking current settings	45
Interfaces and connection	46

Connecting the parallel interface	47
Connecting the USB interface	47
Connecting the network interface	48
Using the Drivers CD	49
Operation	50
Using the printer	50
Consumables and maintenance	51
Checking consumable/maintenance item usage . . .	51
Replacement indications	51
Consumable item order information	52
Maintenance item order details	52
Replacing consumables/maintenance items	53
Cleaning the LED heads	53
Cleaning the paper feed rollers	55
Cleaning the printer casing	58
Emptying the punch chip box (Punch unit optional accessory)	59
Optional accessories	62
Accessory order information	63
Installing accessories	64
Troubleshooting	65
General	65
Paper Jams	65
Paper jams – printer	65
Open cover, paper jam, tttttt side cover	65
Open cover, paper jam, side cover	67
Open cover, paper jam, top cover	69
Paper jams – duplex unit (if installed)	75
Check duplex unit, paper jam	75
Paper jams – Finisher (optional accessory)	81
Check Finisher, paper jam/paper remains	81
591, 592, 593, 599/ 643, 645 (paper jam around Finisher)	81
594, 597, 598/ 644, 646 (paper jam in Finisher)	84
590 (paper jam in Finisher/Punch unit)	87
Check Inverter, paper jam	90
Avoiding paper jams	94
Dealing with unsatisfactory printing	95
Staple jams – Finisher (optional accessory)	97
Check Finisher, Staple Jam	97
Specifications	103

Appendix A – Display Panel Messages	105
Appendix B – Menu system	107
Configuration	108
Print Page Count	108
Finisher Count	108
Supplies Life	109
Network	109
Paper Size in Tray	110
System	110
Configuration example – monochrome pages printed	111
Print Information	112
Print Information example – demonstration page	113
Print Secure Job	114
Menus	115
Tray Configuration	115
System Adjust	120
Menus example 1 – Tray 1 transparencies	124
Menus example 2 – MP Tray paper size	125

NOTES, CAUTIONS AND WARNINGS!

NOTE

A note provides additional information to supplement the main text.

CAUTION!

A caution provides additional information which, if ignored, may result in equipment malfunction or damage.

WARNING!

A warning provides additional information which, if ignored, may result in a risk of personal injury.

SAFETY WARNINGS

Please be careful to read and understand the safety warnings on the following pages before operating the printer.

Illustrations

Illustrations and components are representative only. Your unit may differ slightly from those pictured in this document.

WARNING!



Ensure all warning and instruction labels on the product are read, understood and followed in order to prevent any risk of injury.



Ensure this and all other documentation is both read carefully and retained for future reference.



This printer unit weighs 167.5 lbs (76kg). 3 people are required to lift the printer safely and prevent any risk of personnel injury.



The product must be placed on a flat solid surface strong enough to support its weight to prevent any risk of injury.



Ensure that there is adequate ventilation all around the product to prevent overheating and any risk of fire.



Keep the product away from direct heat sources such as radiators and out of direct sunlight to prevent any risk of overheating.



Ensure the power source matches the rating on the product labelling. If in any doubt consult your dealer or power provider to ensure no risk of fire or shock exists.



Ensure both the printer and mains power switches are in the OFF position before connecting the AC power cable.

WARNING!



This product has an earthed plug as a safety feature and will only connect to an earthed socket. Do not attempt to defeat the earthing or there is a risk of fire or shock.



If using an extension cable or power strip ensure that the total current rating (amperes) of all connected equipment is less than the maximum rating of the extension cable, power strip or wall outlet. Otherwise fire or shock may occur.



Ensure the power cable is routed so as not to be damaged or cause a trip hazard. If the cable becomes frayed or damaged replace it immediately to prevent any risk of shock.



Do not twist, constrict or knot the power cable as this can cause overheating which may lead to fire or electric shock.



Ensure the power socket to which the printer is connected is easily accessible at all times.



Do not connect or disconnect the power plug with a wet hand as this may cause electric shock.



Always hold the power plug to connect/disconnect the power cable to/from the mains socket. Unplugging by pulling on the cable can cause fraying and may lead to fire or electric shock.

WARNING!

Use only the power cable supplied. Using a power cable not intended for this product may lead to fire or electric shock.



To avoid risk of fire and electric shock, do not use the power cable supplied with this product for any other electrical equipment.



If you do not connect the power cord or any other cables only as directed in the User's Guide, this may result in a fire.



Ensure loose clothing and hair are kept clear of moving parts when printer is in operation to prevent possible risk of injury.



When the printer cover is open, do not touch the fuser unit as you may receive burns. Allow it to cool before touching and always use the handle to lift the fuser.



If the printer casing gets extremely hot or smoke, unusual smells or abnormal noises are emitted from the printer, there is a risk of fire. Unplug the mains connector and contact your dealer.



If the printer has been knocked over or damaged, there is a risk of electric shock, fire and/or injury. Unplug the mains connector and contact your dealer.

WARNING!



If any liquid (for example water) is allowed to enter the printer, there is a risk of fire. Unplug the mains connector and contact your dealer.



Do not place containers containing liquid on the printer as electric shock, fire and/or injuries may occur.



If any foreign objects (for example clips) are allowed to enter the printer, there is a risk of electric shock, fire and/or injury. Unplug the mains connector before removing the object.



Do not introduce foreign objects into the ventilation holes or operate the printer with the rear cover open as electric shock, fire and/or injuries may occur.



Do not use an extremely flammable spray near the printer as the printer contains high temperature parts that may cause a fire.



Switch printer off before cleaning to prevent any risk of injury. Clean using a damp cloth. Do not use liquid or aerosol cleaners.



Do not carry out any operations on the printer that are not specified in the User's Guide. This may result in electric shock, fire and/or injury.

WARNING!



Risk of explosion if battery is replaced by an incorrect type. Do not touch the battery. Printer battery should not require replacement during the life of the printer.



After installing additional memory or a hard disk drive, the cover door must be closed and secured to prevent risk of fire.



Take care with toner powder. If swallowed induce vomiting and seek medical attention. Never attempt to induce vomiting if person is unconscious.



Take care with toner powder. If inhaled move the person to an open area for fresh air. Seek medical attention.



Take care with toner powder. If it gets into the eyes flush with large amounts of water for at least 15 minutes keeping eyelids open. Seek medical attention.



Take care with toner powder. Spillages should be treated with cold water and soap to help reduce risk of staining skin or clothing.



Do not throw toner cartridges or image drum cartridges into a fire as you may receive burns from a dust explosion.

INTRODUCTION

Congratulations on buying an Oki color printer. Your new printer is designed with advanced features to give you clear, vibrant color prints and crisp black and white pages at high speed on a range of print media for the office.

There are three different models available: C9650n, C9650dn, C9650hdn, where n denotes networking capability, d denotes duplex unit installed, and h denotes hard disk drive installed.

FEATURES

The following features are standard on all models:

- > Up to 36 pages per minute in full color for fast printing of high impact color presentations and other documents
- > Up to 40 pages per minute in black and white for fast and efficient printing of all general purpose documents not requiring color
- > 1200 x 600 dpi (dots per inch) print resolution for high quality image production showing the finest detail
- > ProQ2400 multilevel technology produces subtler tones and smoother gradations of color to lend photographic quality to your documents
- > Single Pass Color Digital LED technology for high speed processing of your printed pages
- > 10Base-T, 100 Base-TX and 1000 Base-T network connection lets you share this valuable resource among users on your office network
- > USB 2.0 and parallel (IEEE-1284) interfaces
- > PCL, PS, IBM PPR, Epson FX emulations

Additionally, the following optional features are available:

- > Automatic two-sided (duplex) printing for economical use of paper and compact printing of larger documents

NOTE

This optional feature is only applicable to the C9650n.

- > Hard disk drive enables spooled and verified printing

NOTE

This optional feature is only applicable to the C9650n and C9650dn.

- > Additional paper trays for loading a further 530 sheets at a time to minimize operator intervention, or different paper stocks for letterhead stationery, alternative paper sizes or other print media:

- 2nd/3rd Tray (530 sheets each)
- High Capacity Feeder (HCF) (1590 sheets)

NOTE

Tray configurations are: Tray 1 only, Tray 1 + 2nd Tray, Tray 1 + 2nd Tray + 3rd Tray, Tray 1 + HCF, Tray1 + 2nd Tray + HCF

- > Additional memory
- > Finisher (for stapling printer output)
- > Punch unit (to extend Finisher functionality)

ABOUT THIS GUIDE

NOTE

Images used in this manual may include optional features that your printer does not have installed.

This manual is your user's guide (check the web site, my.okidata.com, for the most up-to-date version) for your printer and forms part of the overall user support listed below:

- > **Setup Poster:** for quick step by step visual setup of your printer

This is a paper document that is packaged with the printer.

- > **Setup guide:** to describe how to unpack, connect and turn on your printer

This is a paper document that is packaged with the printer.

- > **Safety, Warranty, Regulatory booklet:** includes safety warnings, product warranty, and regulatory information.

This is a paper document that is packaged with the printer.

- > This **User's Guide:** to help you to become familiar with your printer and make the best use of its many features. Also included are guidelines for troubleshooting and maintenance to ensure that it performs at its best. Additionally, information is provided for adding optional accessories as your printing needs evolve.

This is an electronic document stored on the printer driver CD.

- > **Printing Guide** for Windows users and Mac users: to help you operate your printer effectively and efficiently.

This is an electronic document stored on printer driver CD.

- > **Network and Configuration Guide:** to provide machine configuration and network configuration information.

This is an electronic document stored on the Documentation CD.

- > **Installation Guides:** accompany consumable items and optional accessories to describe how to install them.

These are paper documents that are packaged with the consumables and optional accessories.

- > **Online Help:** online information accessible from the printer driver and utility software.

SOFTWARE SUPPLIED

CDs:

- > **Drivers and Utilities**
Contains drivers and application software for use by a general user.
- > **Network and Administrator Utilities**
Contains software for use by system administrators.

ONLINE USAGE

This guide is intended to be read on screen using an Adobe Acrobat Reader. Use the navigation and viewing tools provided in Acrobat.

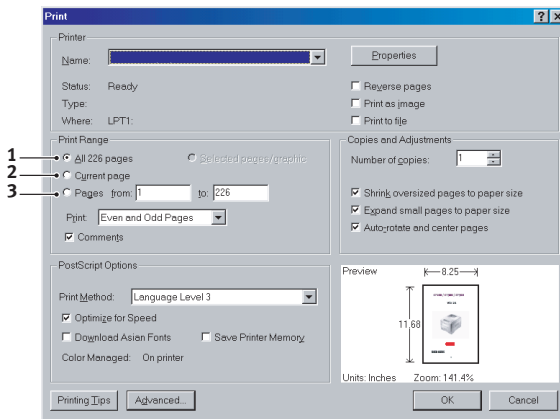
You can access specific information in two ways:

- > In the list of bookmarks down the left hand side of your screen, click on the topic of interest to jump to the required topic. (If the bookmarks are not available, use the “Contents” on page 3

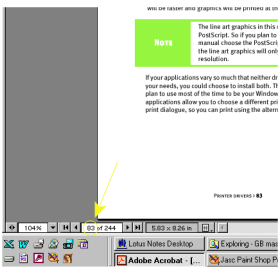
PRINTING PAGES

The whole manual, individual pages, or sections may be printed. The procedure is:

1. From the toolbar, select [File], then [Print] (or press the Ctrl + P keys).
2. Choose which pages you wish to print:
 - (a) [All pages], (1), for the entire manual.
 - (b) [Current page], (2), for the page at which you are looking.



- (c) [Pages from] and [to], (3), for the range of pages you specify by entering their page numbers.



3. Click on [OK].

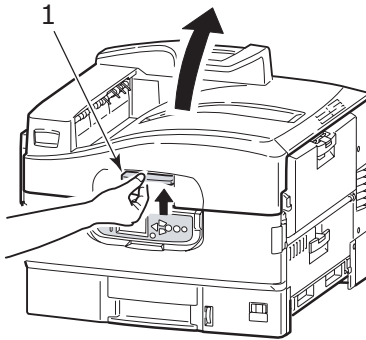
PRINTER AND PAPER OVERVIEW

OPENING AND CLOSING THE TOP COVER

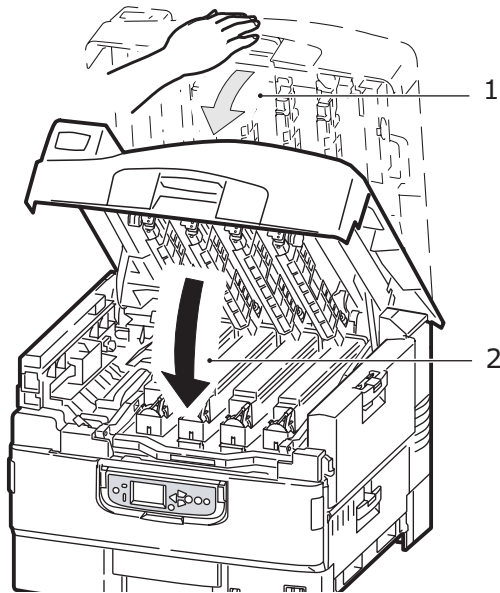
CAUTION!

To gain access to the inside of the printer, ensure that the top cover is fully opened.

To open the top cover, squeeze the top cover handle (1) to release the catch and raise the cover.



To close the top cover, push gently (1) until the cover stops midway and then push harder (2) to close the cover completely. Ensure that the cover is securely closed.

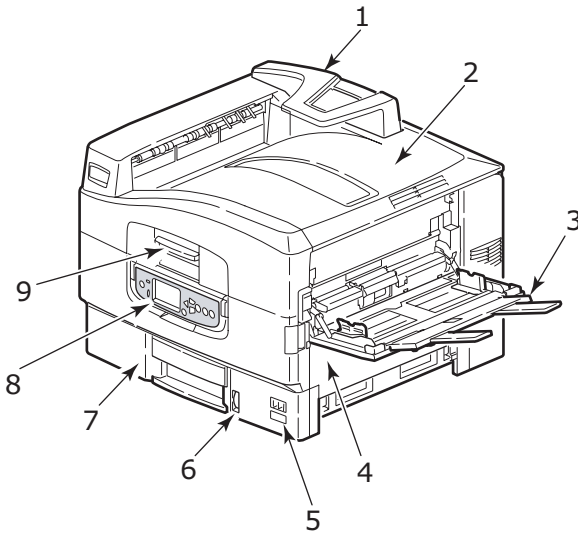


IDENTIFYING MAJOR COMPONENTS

The major components of your printer are identified in the graphics below.

1. Paper holding arm
2. Top cover (face-down stacker)
3. MP Tray (multi-purpose tray)
4. Tray 1 side cover
5. Paper size label
6. Paper gauge
7. Tray 1 (paper tray)
8. Control panel

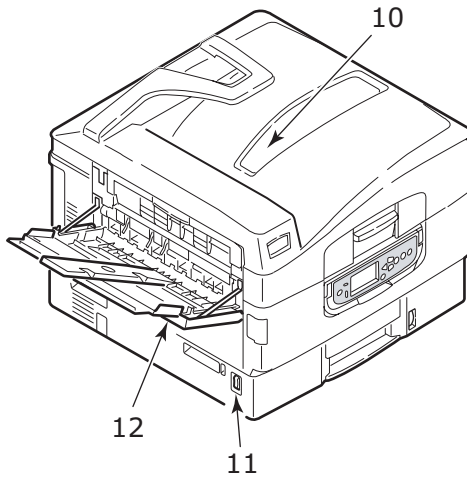
9. Top cover handle



10. Face-down stacker

11. Power (on/off) switch

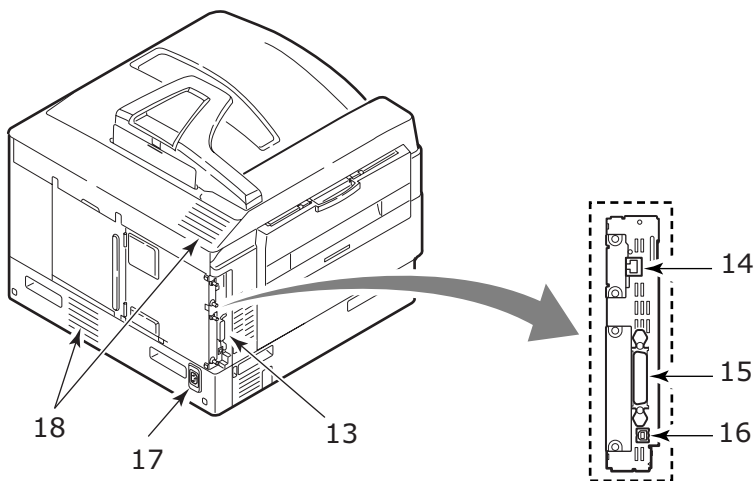
12. Face-up stacker



13. Interface unit

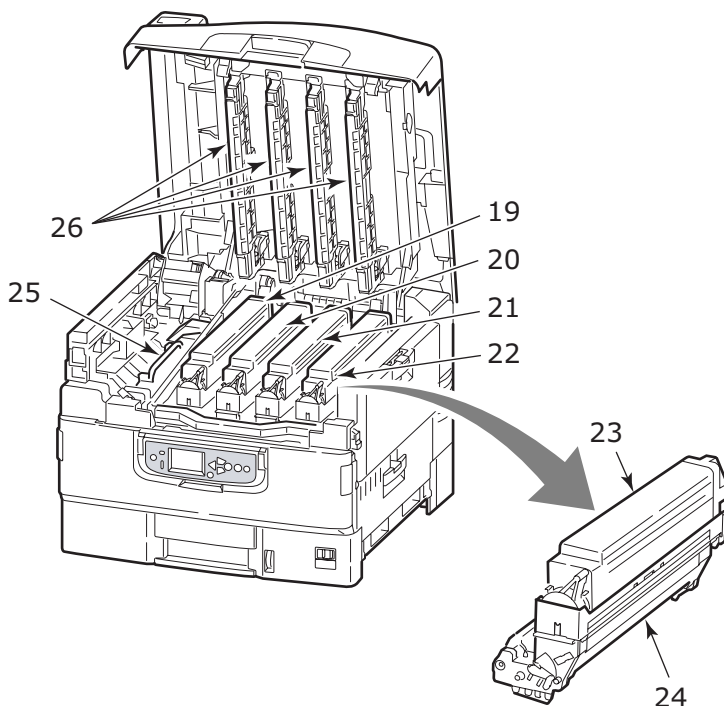
14. Network interface connector

- 15.** Parallel interface connector
- 16.** USB interface connector
- 17.** Power connector
- 18.** Ventilation openings



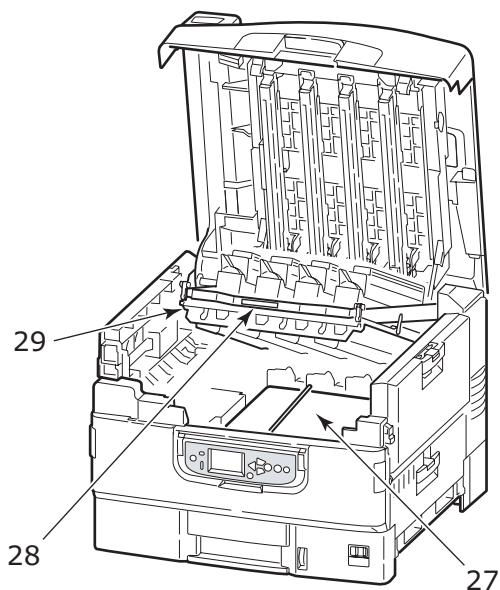
- 19.** Image drum cartridge and toner cartridge (Cyan)
- 20.** Image drum cartridge and toner cartridge (Magenta)

- 21.** Image drum cartridge and toner cartridge (Yellow)
- 22.** Image drum cartridge and toner cartridge (Black)
- 23.** Toner cartridge
- 24.** Image drum cartridge
- 25.** Fuser unit
- 26.** LED heads



- 27.** Belt unit
- 28.** Drum basket handle

29. Drum basket



PAPER RECOMMENDATIONS

Your printer will handle a variety of print media, including a range of paper weights and sizes, transparencies and envelopes. This section provides general advice on choice of media, and explains how to use each type.

The best performance will be obtained when using standard weight 20 – 24 lb (75 – 90 g/m²) paper designed for use in copiers and laser printers. Suitable types are:

- > OKI® Bright White, 32 lb US Bond
- > HammerMill® Laser Print Radiant, White, 24 lb US Bond
- > Xerox® 4024, 20 lb US Bond

Use of heavily embossed or very rough textured paper is not recommended.

Pre-printed stationery can be used, but the ink must not offset when exposed to the high fuser temperatures used in the printing process.

Envelopes should be free from twist, curl or other deformations. They should also be of the rectangular flap type, with glue that remains intact when subjected to hot roll pressure fusing used in this type of printer. Window envelopes are not suitable.

Transparencies should be of the type designed for use in copiers and laser printers. In particular, avoid office transparencies designed for use by hand with marker pens. These will melt in the fuser and cause damage.

Labels should also be of the type recommended for use in copiers and laser printers, in which the base carrier page is entirely covered by labels. Other types of label stock may damage the printer due to the labels peeling off during the printing process. Suitable types are:

- > Avery White Laser Label types 7162, 7664, 7666 (A4), or 5161 (Letter)

PAPER INPUT AND OUTPUT INFORMATION

The following table relates paper parameters to input trays (Tray 1 to Tray 5 (numbering from the top) and MP Tray) and to output areas (Face-down stacker and Face-up stacker).

TYPE	SIZE	WEIGHT	INPUT/ OUTPUT
Plain paper	A3, A3 Nobi, A3 Wide, A4, A5, A6, B4, B5, Letter, Legal 13, Legal 13.5, Legal 14, Executive, Tabloid, Tabloid Extra	17 – 57 lb	Any Tray Any Stacker
	Custom W: 3.94 – 12.91 in L: 5.82 – 18 in	17 – 57 lb	Any Tray Face-up Stacker
	Custom W: 3.12 – 12.91 in L: 3.54 – 18 in	15 – 71 lb	MP Tray Face-up Stacker
	Banner W: Letter width L: 18 – 48 in	34 lb recommended	MP Tray Face-up Stacker
	Index card: 3 x 5 in	15 – 71 lb	MP Tray Face-up Stacker
Postcard	–	–	Tray 1 or MP Tray Face-up Stacker
Envelope	4.72 x 9.25 in 3.54 x 8.07 in 9.25 x 4.72 in 9.25 x 4.13 in 9.45 x 13.07 in 8.50 x 10.91 in 4.69 x 7.76 in 8.27 x 11.69 in	23 lb	MP Tray Face-up Stacker
	12.76 x 9.02 in 9.02 x 6.38 in 8.66 x 4.33 in 8.88 x 3.88 in 9.5 x 4.13 in 7.5 x 3.88 in	Based on 24 lb paper	
Labels	A4, Letter, B5	0.004 – 0.008 in	MP Tray Face-up Stacker

TYPE	SIZE	WEIGHT	INPUT/ OUTPUT
Transparencies Glossy paper	A4, Letter	0.004 in	Tray 1 or MP Tray Face-up Stacker

TRAYS AND STACKERS

TRAYS 1 TO 5

Tray 1 is the standard blank paper input tray and can hold up to 530 sheets of 20 lb (75 g/m²) paper. Additional trays, to give a total of five, can be added as an option to give a total tray capacity of 2650 sheets of 20 lb (75 g/m²) paper.

If you have identical paper stock loaded in another tray (for example Tray 2 or the MP Tray), you can have the printer automatically switch to that other tray when the current tray runs out of paper. This function can be enabled by driver settings when printing from a Windows application or by a menu setting when printing from other applications.

MP TRAY

The multi-purpose tray is used for media sizes additional to those of the standard trays, heavier media weights and special media.

The multi-purpose tray can handle the same sizes as the standard trays but in weights up to 73 lb (330 g/m²). For very heavy paper stock use the face-up paper stacker. This ensures that the paper path through the printer is almost straight.

The multi-purpose tray can feed paper widths as small as 3in (76.2 mm) and lengths up to 47.24 in (1200 mm). For banner printing, recommended sizes are Letter wide, 35.43 in and 47.24 in long and weight 34 lb (128 g/m²).

Use the multi purpose tray for printing on envelopes and transparencies. Up to 100 sheets of transparencies or 25 envelopes can be loaded at one time, subject to a maximum stacking depth of 1 in.

Paper or transparencies should be loaded print side up and top edge into the printer. Do not use the duplex (two-sided printing) function for transparencies.

FACE-DOWN STACKER

The face-down stacker on the top of the printer can hold up to 500 sheets of 20 lb (80 g/m²) standard paper, and can handle paper stocks from 17 – 57 lb (64 – 216 g/m²). Pages printed in reading order (page 1 first) will be sorted in reading order (last page on top, facing down).

FACE-UP STACKER

The face-up stacker should be opened and the tray extension pulled out when required for use. (With the face-up stacker either open or closed, the driver setting of Face Down will successfully direct prints to the Face-Down stacker.)

The face-up stacker can hold up to 200 sheets of 20 lb (80 g/m²) standard paper and can handle stocks up to 73 lb (330 g/m²).

Always use this stacker and the multi-purpose feeder for paper stocks heavier than 57 lb (216 g/m²).

DUPLEX UNIT (IF INSTALLED)

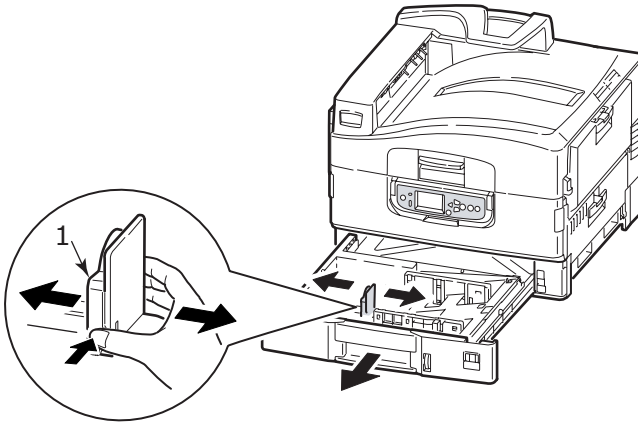
This option provides automatic two-sided printing on plain paper fed from Trays 1 – 5 or the MP Tray. Applicable paper sizes are A6, A5, B5, B5LEF, Executive, A4, A4LEF, Letter, LetterLEF, Legal 13 in, Legal 13.5 in, Legal 14 in, B4, Tabloid, Tabloid Extra, A3, A3 Wide, A3 Nobi, Custom size (3.9 – 12.9 in wide, 5.8 – 18 in long), using paper stocks in the range 20 – 32 lb (75 – 120 g/m²).

TRAY AND STACKER EXAMPLES

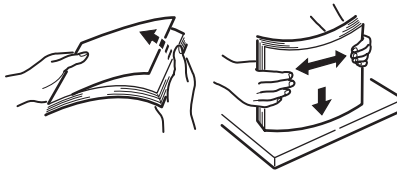
LOADING TRAYS 1 TO 5

Tray 1 is used in the following example.

1. Pull out the tray.
2. Press the paper rear stopper tab (1) and adjust the tab to the required paper size.



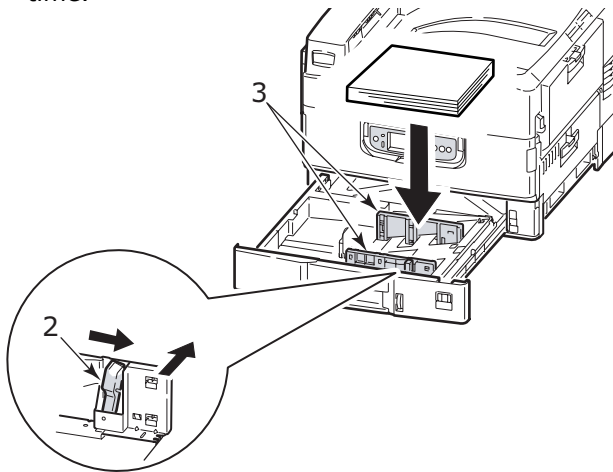
3. Fan the paper to be loaded then tap the edges of the stack on a flat surface to make it flush.



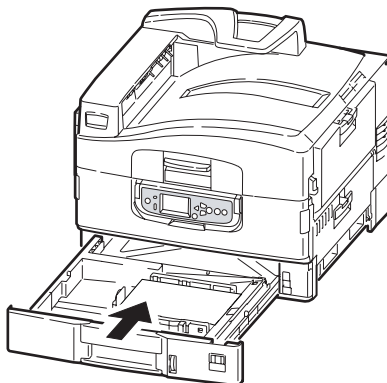
4. Load the paper (face down and top edge towards the right for letterhead paper), press the tab (2) on the paper guide and adjust the guides (3) for a snug fit to the paper.

To avoid paper jams:

- Do not leave space between the paper and the guides and rear stopper.
- Do not overfill the paper tray. Capacity depends on the paper type.
- Do not load damaged paper.
- Do not load paper of different sizes or types at the same time.

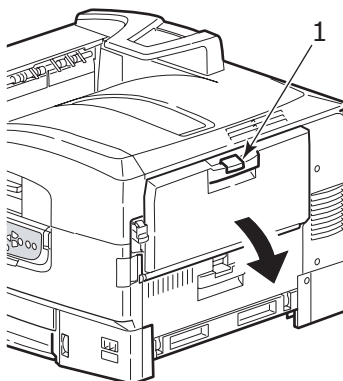


5. Gently push the tray back into the printer.

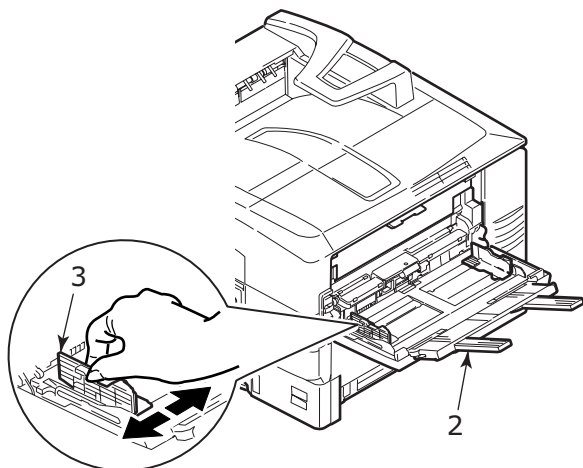


USING THE MP TRAY

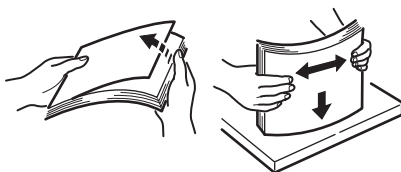
1. Squeeze the handle (1) and open the multi-purpose tray.



2. Fold out the paper support section and swivel out the extension supports (2).



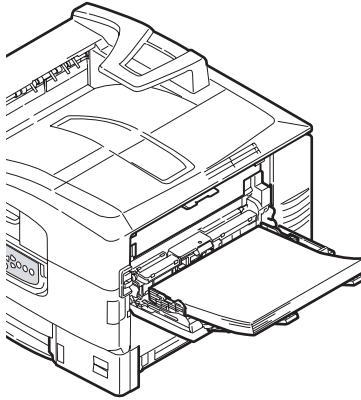
3. Adjust the paper guides (3) to the size of the paper being used.
4. Fan the paper to be loaded then tap the edges of the stack on a flat surface to make it flush.



5. Load the paper.
 - For single-sided printing on letterhead, load the paper into the multi-purpose tray with pre-printed side up and top edge into the printer.
 - For two-sided (duplex) printing on letterhead, load the paper with pre-printed side down and top edge away from

the printer. (The duplex unit must be installed for this function.)

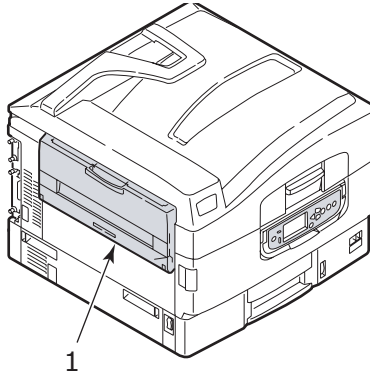
- Envelopes should be loaded face-up with long edge into the printer. Do not select duplex printing on envelopes.
- Do not leave space between the paper and the guides.
- Do not exceed the paper capacity of approximately 230 sheets, 100 transparencies or 25 envelopes. Maximum stacking depth is 1 in.



USING THE STACKERS

Face-down stacker

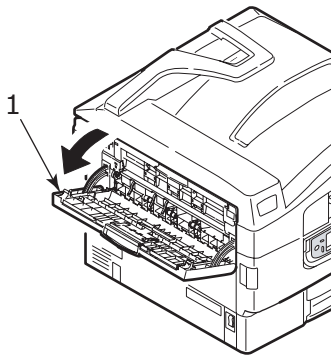
When the face-up stacker (1) on the left side of the printer is closed (its normal position), paper is ejected to the face-down stacker on the top of the printer.



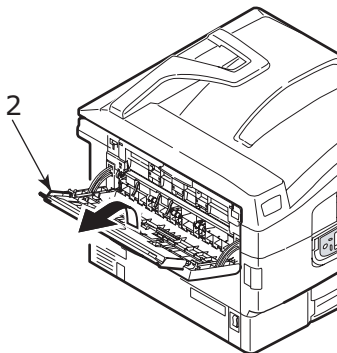
Face-up stacker

The face-up exit path is used for heavy paper (cardstock etc.), envelopes, transparencies, and labels.

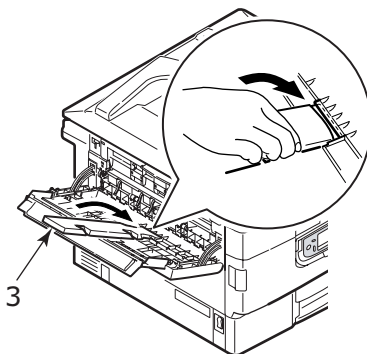
1. Open the stacker (1).



2. Flip out the paper support (2).

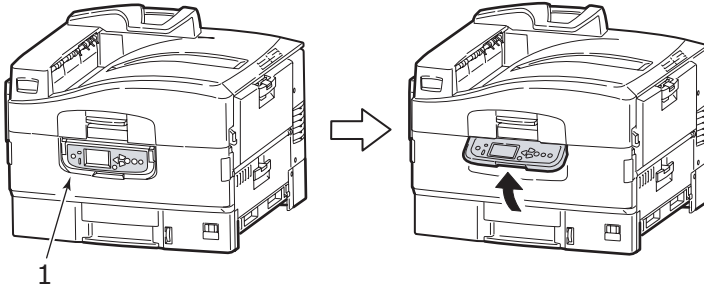


3. Swivel out the paper support extension (3).



CONTROL PANEL

The control panel can be swivelled to 90° (maximum) upwards from its base position (1) as required for ease of use.



BUTTONS AND LIGHTS

The parts of the control panel are identified and briefly explained below:



1. Shutdown/Restart button

Hold down for more than 2 seconds for a soft shutdown. You can then press this button again for a restart or use the **Power** switch to turn off the printer completely.

2. Ready light

On: indicates ready to print

Flashing: indicates processing print data

Off: indicates unable to receive data (offline)

3. Attention light

Off: indicates normal operation

Flashing: indicates error(s) present but printing can continue

On: indicates error(s) present and printing cannot continue

4. Display panel

Displays status and setup information for the printer and user help information in your chosen language

5. Up-arrow button

Enters menu mode and enables upward movement through the displayed list of menu items

6. Down-arrow button

Enters menu mode and enables downward movement through the displayed list of menu items

7. Back button

Returns to the previous higher level menu item

8. Enter button

Enters menu mode and selects the menu item highlighted in the display panel

9. Online button

Switches between online (printer ready to receive data) and offline (printer not ready to receive data)

10. Cancel button

Cancels current print job

11. Help button

Provides additional textual or image data to supplement what is displayed on the display panel

DISPLAY PANEL MESSAGES

There are four types of display panel message:

- > Status information
- > Menu (functions) information
- > Configuration information
- > Help information

STATUS INFORMATION

Status information is associated with three printer states:

In the Information state, such as idling or printing, the printer is able to process print jobs.

In the Warning state, the printer has encountered some minor problem but is still able to process print jobs.

In the Error state, the printer has encountered a problem and cannot continue printing until the user has intervened and removed the cause of the trouble.

The top two lines of the display panel show the printer status. The bottom of the display panel normally shows a bar chart of the toner usage.

MENU (FUNCTIONS) INFORMATION

There are three types of menu (functions) information:

User menus: accessed by pressing the **Enter** button, **Up-arrow** or **Down-arrow** button on the control panel. These menus are available to the general user to make various settings that are used in the running of the printer.

Administrator menu: accessed by pressing the **Enter** button for more than 2 seconds while turning on the printer power supply (including Restart). Available to administrator level users. Restricts the changes that general users can make via the user menus.

System maintenance menu: accessed by pressing the **Up-arrow** and **Down-arrow** buttons together for more than 2 seconds while turning on the printer power supply (including

Restart). Available to support staff to allow printer configurations and special functions to be set.

CONFIGURATION INFORMATION

Configuration information displays printer configuration information such as internal firmware versions.

Menu options at each level can be scrolled through by moving the highlight with the **Up-arrow/Down-arrow** buttons and a highlighted option at that level can be selected by pressing the **Enter** button. When the lowest level menu has been selected, you can change the setting for that menu by selecting the required highlighted value from a list or by entering a numeric value. In other cases, you can display or print configuration information.

HELP MODE

When an error has occurred, press the **Help** button. Information displays that will help you correct the error.

DISPLAY PANEL MESSAGES

The display panel messages, supplemented by the Help messages where appropriate, are intended to be self-explanatory. More information on typical messages is provided in ["Appendix A – Display Panel Messages" on page 105](#).

USING THE MENUS

NOTE

Menu details are given in ["Appendix B – Menu system" on page 107](#) for reference.

The **Enter**, **Up-arrow**, **Down-arrow** and **Back** buttons are used to move through the printer menus. You can adjust settings (e.g. set the paper size for Tray 1) or view information (e.g. how much is left of a selected consumable).

Many of these menu settings can be, and often are, overridden by settings in the Windows printer drivers. However, several of the driver settings can be left at "Printer Setting," which will then default to the settings entered in these printer menus.

The steps involved in using the menus are typically as follows:

1. Ensure that the display panel indicates that the printer is ready to print.
2. Enter User menu mode by pressing either the **Enter** button or the **Up-arrow** or **Down-arrow** button and press the latter two repeatedly until the desired menu is highlighted in the displayed list.
3. Press the **Enter** button to select this menu.
4. Press the **Up-arrow** or **Down-arrow** buttons repeatedly until the desired Item is highlighted.
5. Press the **Enter** button to select this Item.
6. Press the **Up-arrow** or **Down-arrow** buttons repeatedly until the desired Value is highlighted.
7. Press the **Enter** button to select this Value. (If you are setting a parameter, ensure that an asterisk (*) appears beside the selected parameter Value.)
8. Press the **Online** button to exit menu mode and return to the ready to print status.

Refer to the section entitled ["Getting started" on page 41](#) and ["Appendix B – Menu system" on page 107](#) for examples of using the menus.

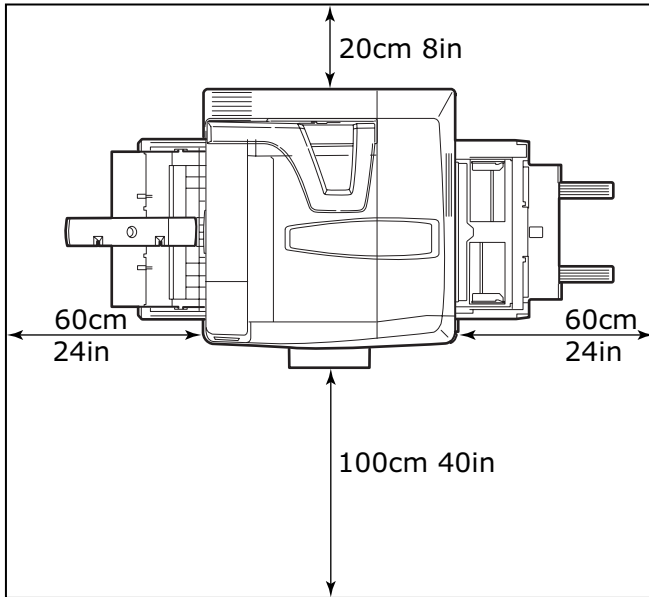
GETTING STARTED

This section provides information to help you get started with using your printer.

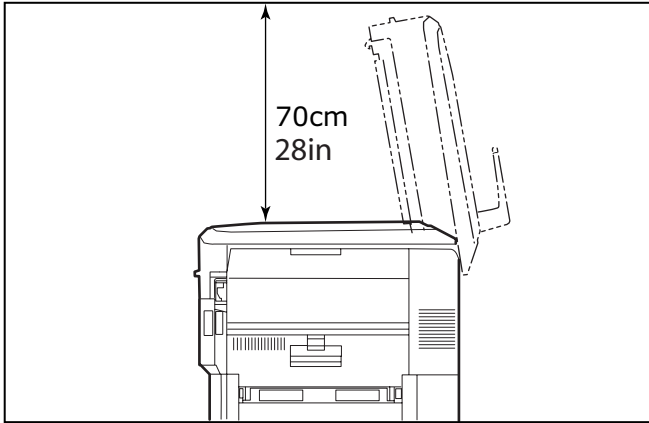
PRINTER LOCATION

Check that you have sufficient space for access:

- > around your printer:



> above your printer:

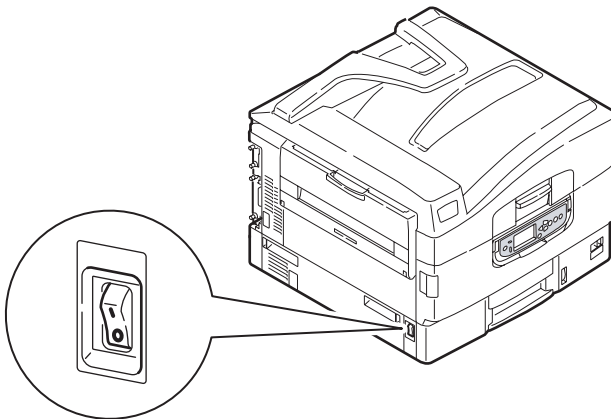


TURNING OFF/ON

TURNING OFF

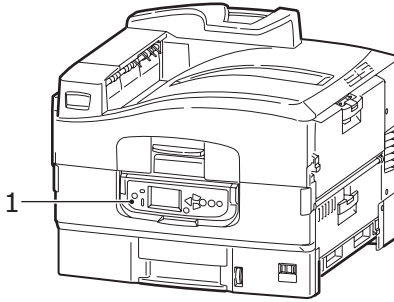
No hard disk drive installed

1. If a hard disk drive is NOT installed, use the On/Off switch.

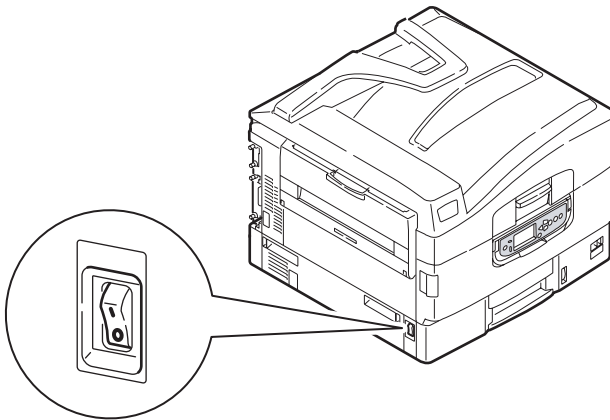


Hard disk drive installed

1. If your printer has a hard disk drive installed, hold down the **Shutdown/Restart** button (1) on the control panel for more than 2 seconds to start the shutdown process.



2. When the display panel shows that you can either turn off or restart the printer, use the On/Off switch to turn off the printer.

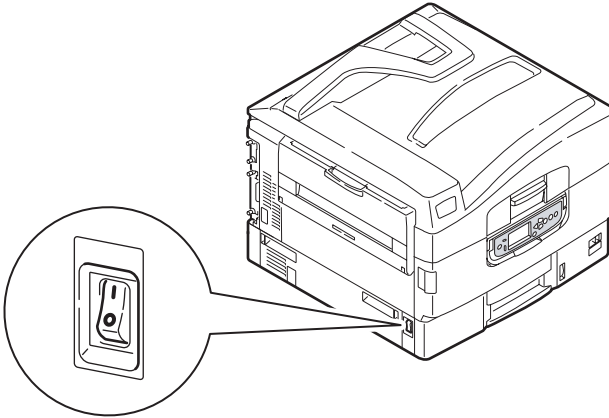


TURNING ON

NOTE

If the display panel shows that you can either turn off or restart the printer, press **Shutdown/Restart** to turn on the printer.

1. If the printer is turned off (no power), use the On/Off switch to turn on the printer.



CHANGING THE DISPLAY LANGUAGE

The default language used by your printer for display messages and for report printing is English. If required, this can be changed using the Panel Language Download Utility located on the installation CD under Optional Utilities.

CHECKING CURRENT SETTINGS

Carry out the following steps to generate a Configuration report (Menu Map) to confirm that your printer is correctly configured.

1. Ensure that there is Letter paper in Tray 1 (to be used in this operation).
2. Ensure that the display panel indicates that the printer is ready to print.
3. Press the **Up-arrow** or **Down-arrow** buttons repeatedly until Print Information is highlighted.
4. Press the **Enter** button to select Print Information.
5. Press the **Up-arrow** or **Down-arrow** buttons repeatedly until Configuration is highlighted.
6. Press the **Enter** button to select Configuration.
7. Press the Enter button to execute the command and a Configuration document is printed.
8. After printing the configuration document, the printer returns to the ready to print status.

You can use this document to check your printer configuration. System values and installed accessories are listed at the top of the first page while status values and settings follow.

INTERFACES AND CONNECTION

Your printer is equipped with a selection of data interfaces:

- > **Parallel** – For direct connection to a PC. This port requires a bi-directional (IEEE 1284 compliant) parallel cable.
- > **USB** – This port requires a cable conforming to USB version 2.0 or above.

The printer may not work if a USB- compatible device is connected concurrently with other USB-compatible machines.

When connecting multiple printers of the same type, they appear as ***** , ***** (2), ***** (3), etc. These numbers depend on the order of connecting or turning on each printer.

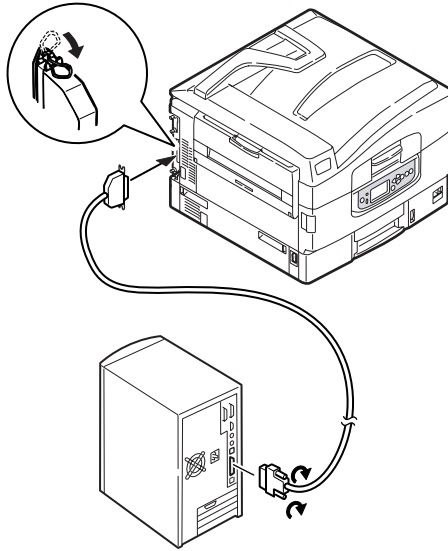
- > **Ethernet** – For network cable connection.

NOTE

Interface cables are not supplied with your printer.

CONNECTING THE PARALLEL INTERFACE

1. Turn off the printer and the computer.
2. Connect a parallel cable between the printer and computer.



3. Turn on the printer and then the computer.

CONNECTING THE USB INTERFACE

Do not connect the USB cable at this time. You will be instructed when to connect the USB cable when you run the Drivers CD.

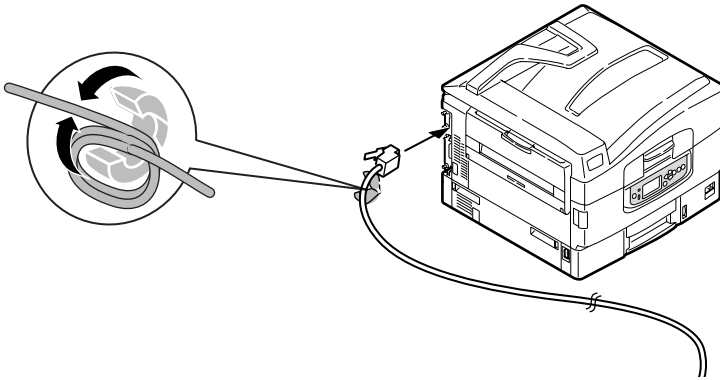
If you are connecting your printer directly to a stand alone computer proceed to the section entitled "Printer Drivers".

CONNECTING THE NETWORK INTERFACE

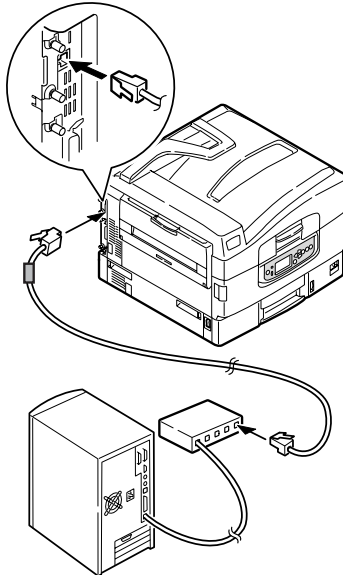
CAUTION!

Do not connect a USB cable into the network interface connector as this may lead to malfunction.

1. Turn off the printer and the computer.
2. Install the Ferrite core to the Ethernet cable as shown.



3. Connect an Ethernet cable between the printer and an Ethernet hub.



4. Turn on the printer and then the computer.

If your printer is to be installed as a network printer, please refer to the relevant section in the Software Installation Guide and Configuration Guide for further details on how to configure the network connection before installing the printer drivers.

NOTE

Administrator's authority is required when installing a network connection.

USING THE DRIVERS CD

Insert the Printer Software CD into your computer and follow the on-screen instructions. You are prompted to follow a set of basic steps to configure the display panel language, install drivers and other software and finally print a test page to check that your printer is operating correctly.

OPERATION

USING THE PRINTER

For full details of how to use the printer and any optional accessories to print jobs efficiently and effectively, please refer to the Printing Guide.

CONSUMABLES AND MAINTENANCE

This section explains how to replace consumable and maintenance items when due. As a guide, the life expectancy of these items is:

- > Black Toner — 18,500 Letter pages at 5% coverage.
- > Cyan, Magenta, Yellow Toner— 16,500 Letter pages at 5% coverage

The printer is shipped with sufficient toner for 7,500 Letter pages in the print cartridges of which 1 – 2,000 Letter pages of toner are used to charge the image drum.

- > Image drum — 42,000 Letter pages average life
- > Transfer belt — Approximately 100,000 Letter pages
- > Fuser — Approximately 100,000 Letter pages
- > Waste toner — 30,000 Letter pages average life

CHECKING CONSUMABLE/MAINTENANCE ITEM USAGE

At any time, you can check how much of each consumable/maintenance item is left by using the appropriate menus. For example, enter the menu system and follow the path:

Configuration>Supplies Life>Cyan Toner

The percentage of Cyan Toner remaining is displayed on the display panel and the printer then returns to the ready to print status.

REPLACEMENT INDICATIONS

The display panel provides messages to the effect that consumables/maintenance items are running low or nearing end of life followed some time later by a message that replacement is required. You should replace the item as soon as possible after this message is displayed to avoid the possibility of print quality being compromised.

The paper feed rollers and the multi-purpose (MP) tray feed rollers do not have any replacement warning messages. Recommended replacement: after approximately 120,000 Letter sheets.

CONSUMABLE ITEM ORDER INFORMATION

ITEM	LIFE	ORDER NUMBER
Toner, Black	18,500 Letter pages @ 5%	42918984
Toner, Cyan	16,500 Letter pages @ 5%	42918983
Toner, Magenta	16,500 Letter pages @ 5%	42918982
Toner, Yellow	16,500 Letter pages @ 5%	42918981
Image drum, Black	42,000 Letter pages avg	42918168
Image drum, Cyan	42,000 Letter pages avg	42918167
Image drum, Magenta	42,000 Letter pages avg	42918166
Image drum, Yellow	42,000 Letter pages avg	42918165
Staples	3 x 3000 staples	42937601

MAINTENANCE ITEM ORDER DETAILS

ITEM	LIFE	ORDER NUMBER
Fuser unit	100,000 Letter pages	120V:42931701 230V: 42931702
Belt unit	100,000 Letter pages	42931601
Waste toner bottle	30,000 Letter pages avg	42869401

REPLACING CONSUMABLES/MAINTENANCE ITEMS

Each consumable or maintenance item comes complete with its own installation details which give full instructions on replacement. You are advised to follow these instructions carefully.

CAUTION!

Only use genuine Oki Original consumables to ensure the best quality and performance from your hardware. Non-Oki Original products may damage your printer's performance and invalidate your warranty. Specifications subject to change without notice. All trademarks acknowledged.

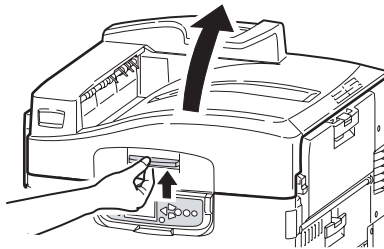
CLEANING THE LED HEADS

You are advised to clean the LED heads:

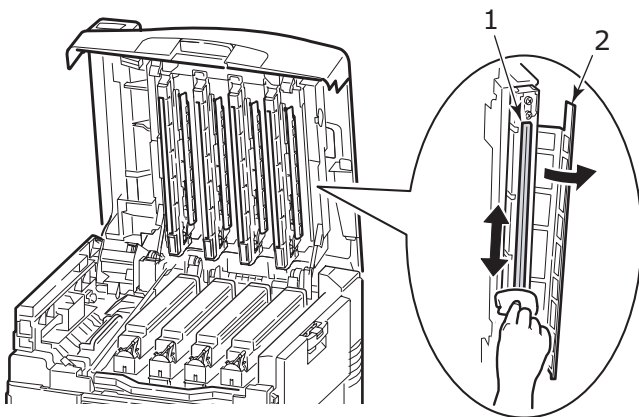
- > any time you replace a toner cartridge (a LED lens cleaner is enclosed with each replacement toner cartridge)
- > if printing is showing signs of faded images, white stripes or blurred letters

You can use a LED lens cleaner or dry, soft cloth for cleaning the LED heads.

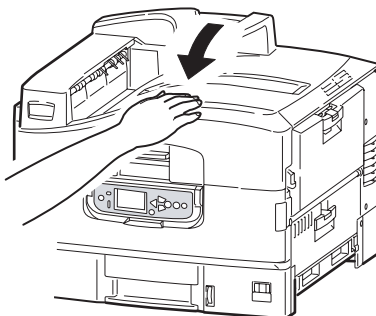
1. Open the top cover.



- 2.** With an LED lens cleaner or soft cloth, gently wipe each of the four heads (1). Move the cleaner as shown, using a clean section of the cleaner with each pass. Be careful not to damage the guards (2).



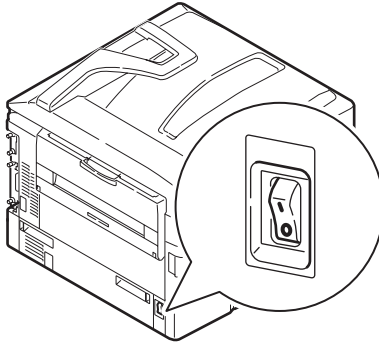
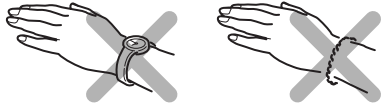
- 3.** Close the top cover.



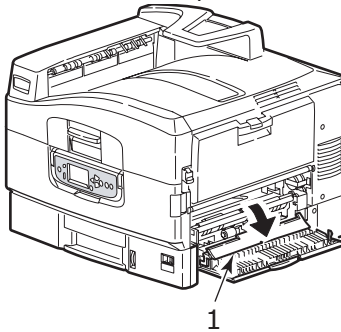
CLEANING THE PAPER FEED ROLLERS

Clean the paper feed rollers if paper jams frequently occur.

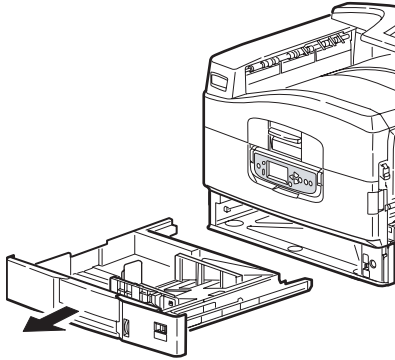
1. Remove items like a wrist watch or bracelet and follow the correct steps to turn the printer off depending on whether a hard disk drive is installed.



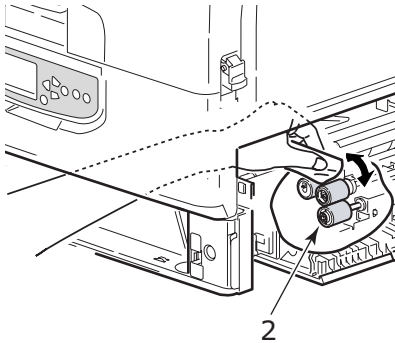
2. Open Tray 1 side cover and pull out the paper guide plate (1).



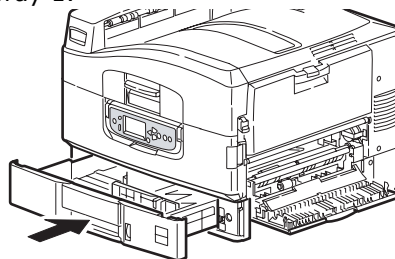
3. Remove Tray 1 completely from the printer.



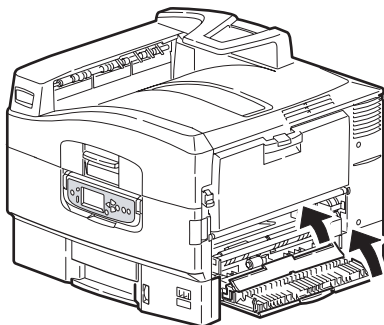
4. Gaining access through the gap left by Tray 1, wipe the 3 paper feed rollers (2) with a soft cloth lightly moistened with water.



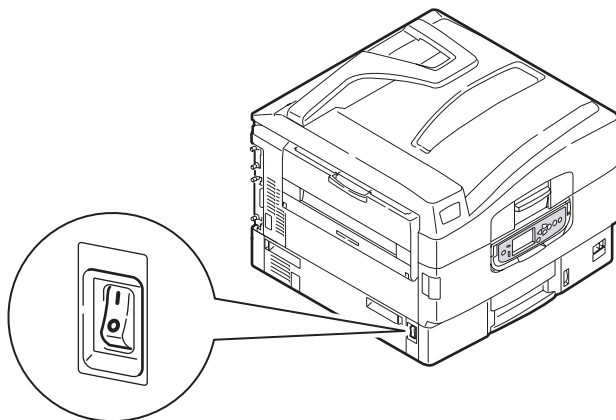
5. Replace Tray 1.



- 6.** Return the paper guide plate to its original position and close Tray 1 side cover.

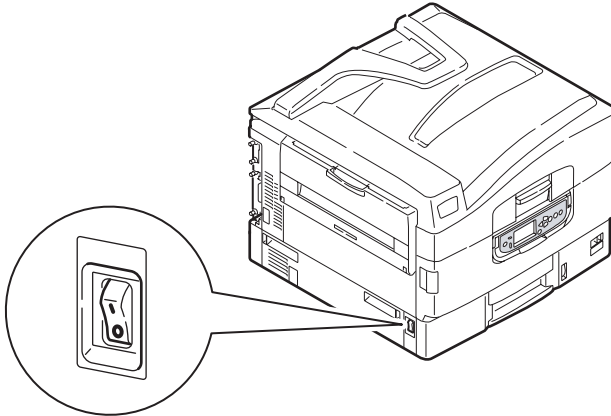


- 7.** Turn on the printer.

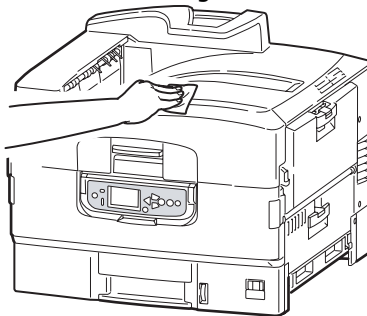


CLEANING THE PRINTER CASING

1. Follow the correct steps to turn the printer off depending on whether a hard disk drive is installed.

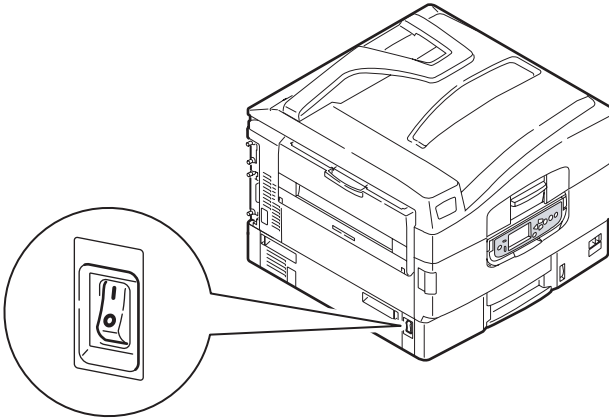


2. Wipe the printer surface with a soft cloth moistened sparingly with water or neutral detergent.



3. Use a soft dry cloth to dry the printer surface.

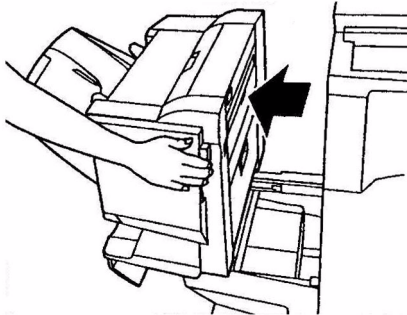
4. Turn on the printer.



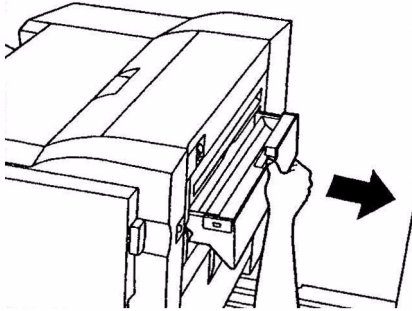
EMPTYING THE PUNCH CHIP BOX (PUNCH UNIT OPTIONAL ACCESSORY)

When the display panel indicates that the punch chip box is full, empty the box as follows:

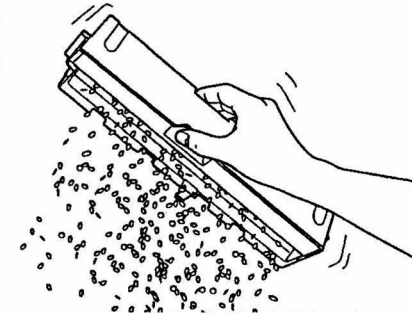
1. Operate the Finisher lever and move the Finisher away from the printer.



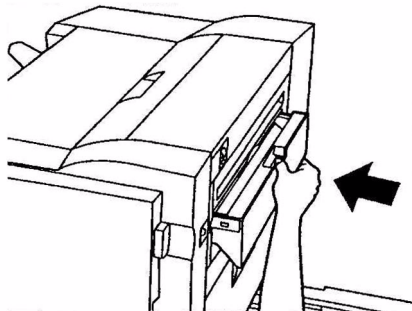
2. Pull out the punch chip box, being careful to keep it level so as not to spill any chips.



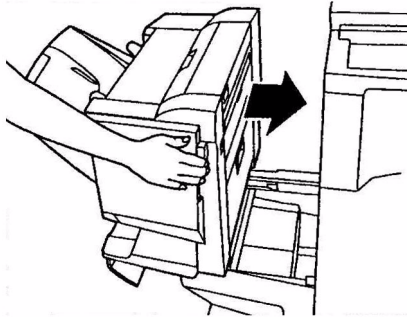
3. Discard the chips in an appropriate place.



4. Replace the punch chip box carefully into the Finisher.



5. Check that the punch chip box has been replaced correctly then move the Finisher back into position, being careful not to trap your fingers.



OPTIONAL ACCESSORIES

This section describes optional accessory equipment for your printer. The following accessories are available:

- > duplex unit (to enable two-sided printing) (C9650n only)
- > additional RAM memory
- > hard disk drive (required for verified and spooled printing, direct printing of PDFs, when collation errors appear, adding extra fonts) (C9650n and C9650dn only)
- > second, third paper tray (to increase paper input capacity)
- > high capacity feeder (equivalent to three paper trays)

NOTE

Tray configurations are: Tray 1 only, Tray 1 + 2nd Tray, Tray 1 + 2nd Tray + 3rd Tray, Tray 1 + HCF, Tray1 + 2nd Tray + HCF.

- > Finisher (for stapling printer output)
- > Punch unit (to extend Finisher functionality)

ACCESSORY ORDER INFORMATION

ITEM	ORDER NUMBER
Duplex unit	42797201
Additional RAM memory 256 MB 512 MB	70050301 70050401
Hard disk drive	70050501
Second, third paper tray	42831301
High capacity feeder (HCF)	42831501
Finisher: 4-tray 5-tray	42940201 42872701
Finisher Punch Unit: 2-3 hole	42872902

INSTALLING ACCESSORIES

Each accessory (apart from the Finisher) comes complete with its own documentation which gives full instructions on installation. You are advised to follow these instructions carefully.

After installation, print out a Menu Map (Configuration document) to check that the installation has been successful.

NOTE

The Finisher and Punch unit must be installed by an authorized engineer.

For the following accessories, you have to make the appropriate setting in your printer driver(s):

- > duplex unit
- > paper tray(s)
- > Finisher

Refer to the Printing Guide for driver setting details.

TROUBLESHOOTING

GENERAL

If the printer display panel does not display anything or is still in stand-by mode 10 minutes after switching on, follow the printer shutdown sequence to switch it off. Check all cable connections before restarting the printer. If the problem persists, contact your dealer.

PAPER JAMS

This section provides information to help you deal with problems that may arise when using the printer. The following paragraphs describe actions to take in the event of a paper jam and how to deal with unsatisfactory print results. Display panel messages about paper jams and relevant actions are given in this section while a list of other typical messages and suggested responses is given in ["Appendix A – Display Panel Messages" on page 105](#).

PAPER JAMS – PRINTER

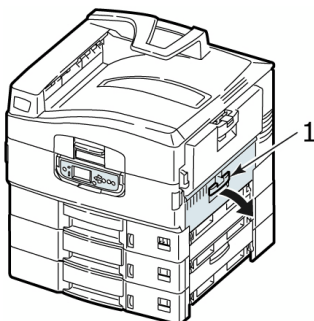
If a paper jam occurs, a message appears on the display panel in the printer Control Panel. You can press the Help button to display guidance on how to clear the jam.

For full details of clearing jams, refer to the following paragraphs, which correspond to the paper jam messages.

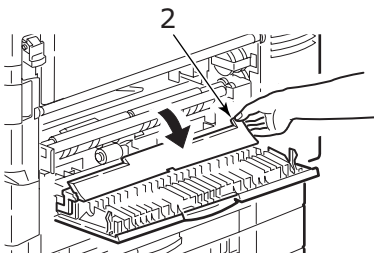
OPEN COVER, PAPER JAM, TTTTTT SIDE COVER

Tray 1, or any one of Tray 2 to Tray 5 (if installed), can appear in place of the tttttt characters in the display panel message. In this example Tray 1 is used, the procedure being similar for all other trays.

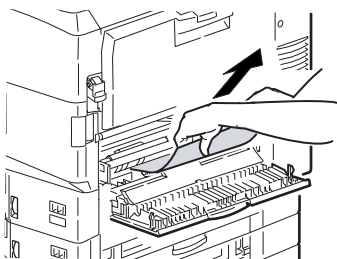
1. Squeeze the catch (1) on Tray 1 side cover and open the cover.



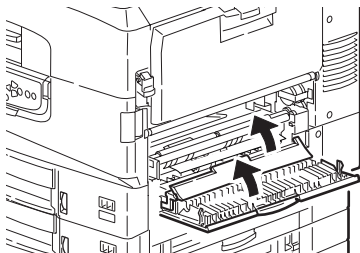
2. Holding it by the tab (2), turn the paper guide outward.



3. Carefully remove the jammed paper.

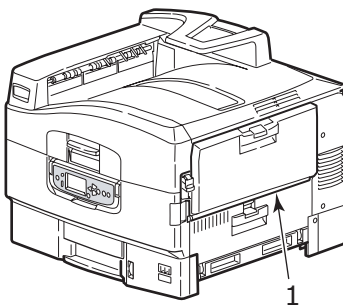


4. Put the paper guide back into position and close Tray 1 side cover.

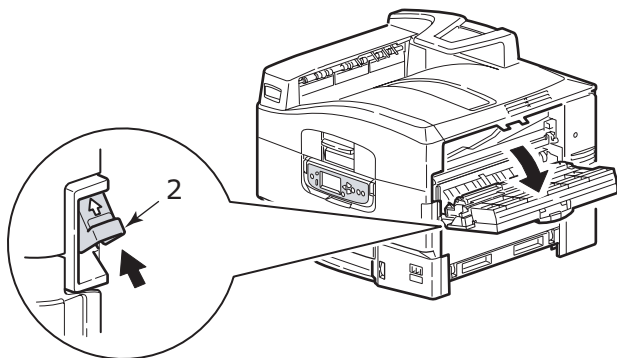


OPEN COVER, PAPER JAM, SIDE COVER

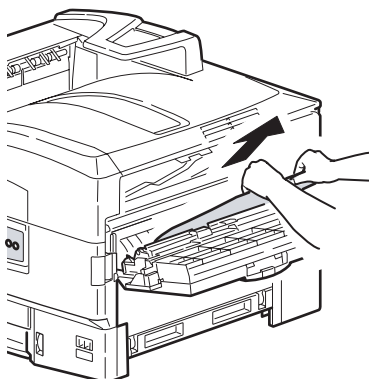
1. If the MP Tray is open, close it so that the side cover (1) is visible.



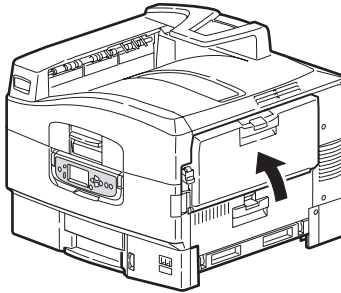
2. Pull the release lever (2) and pull open the side cover.



3. Carefully remove the jammed paper.

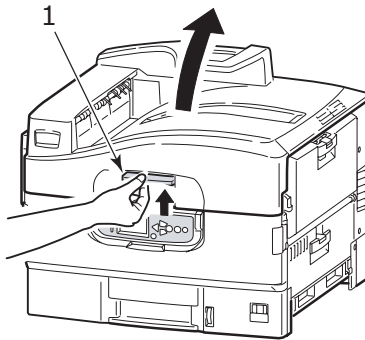


4. Close the side cover.



OPEN COVER, PAPER JAM, TOP COVER

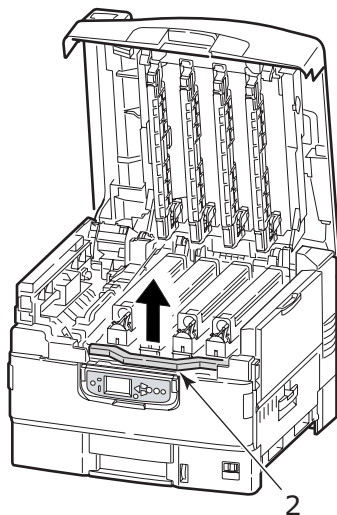
1. Squeeze the top cover handle (1) and open the top cover.



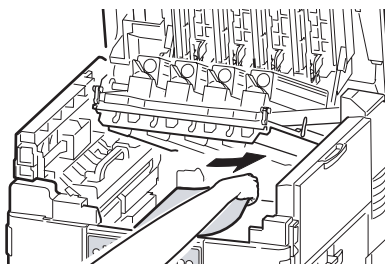
WARNING!

Be careful not to touch the fuser unit which is hot after printing.

2. Squeeze the basket handle (2) and raise the drum basket.



3. Carefully remove any paper on the belt.

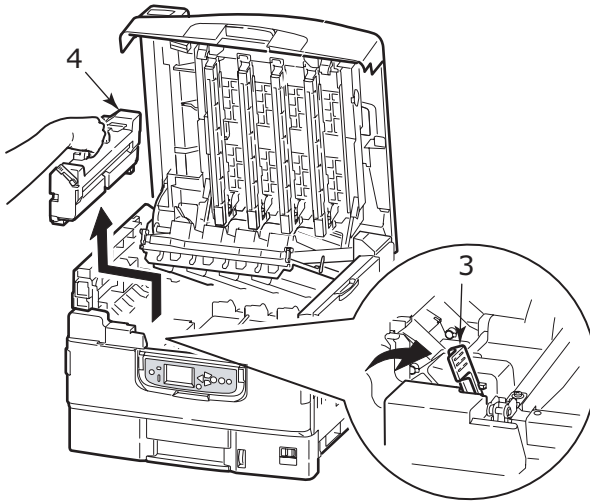


4. If paper is jammed in the fuser unit, push the lock lever (3) in the direction shown to release the unit.

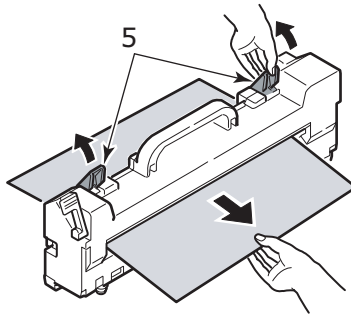
WARNING!

Be careful not to touch the fuser unit which may be hot after printing. If the fuser unit is hot, wait until it cools before attempting to remove any jammed paper.

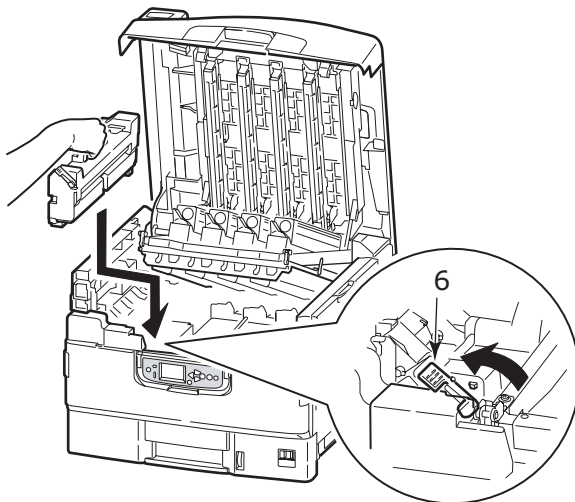
Holding the fuser unit (4) by the handle, lift it out of the printer and place it on a flat surface.



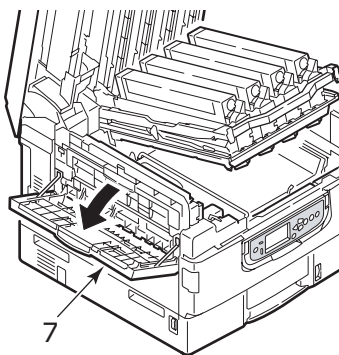
5. Pull up the jam release levers (5) and remove the jammed paper.



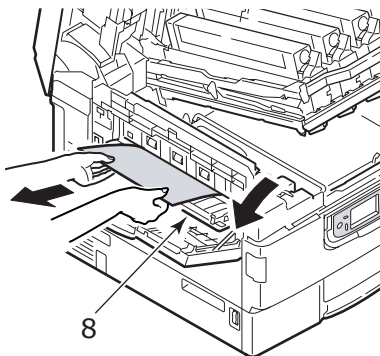
6. Carefully replace the fuser unit into the printer and turn the lock lever (6) in the direction shown to lock the fuser unit.



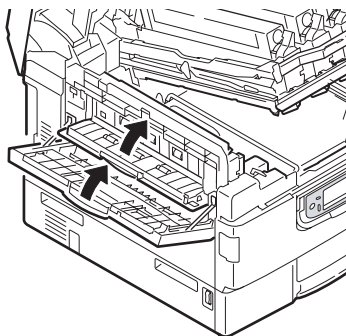
7. If paper is jammed near the paper exit, open the face-up stacker (7).



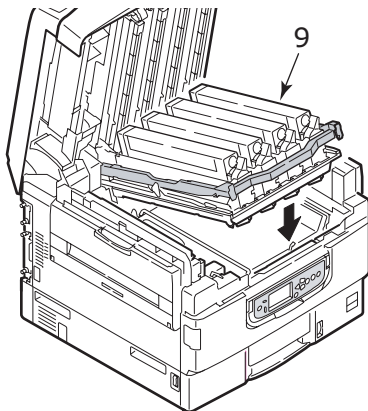
8. Open the side cover (paper exit) (8) and remove the jammed paper.



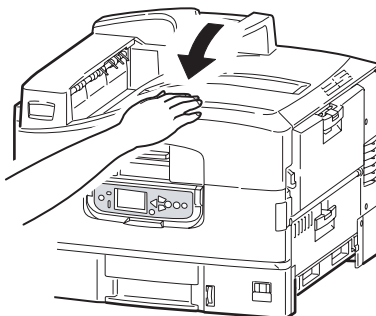
9. Close the side cover (paper exit) and then the face-up stacker.



10. Return the image drum basket (9) into position and check it is locked.



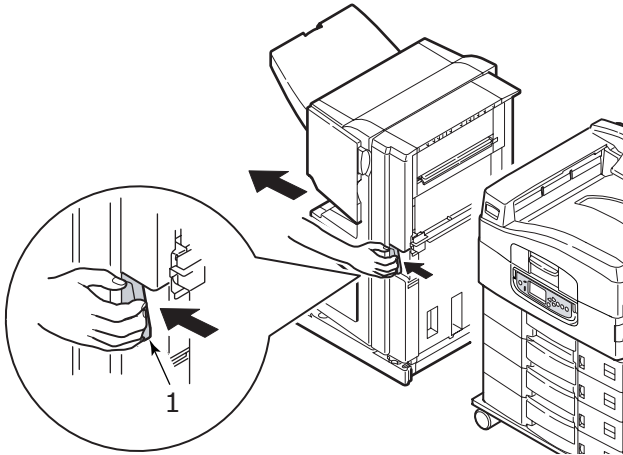
11. Close the top cover and ensure it is latched.



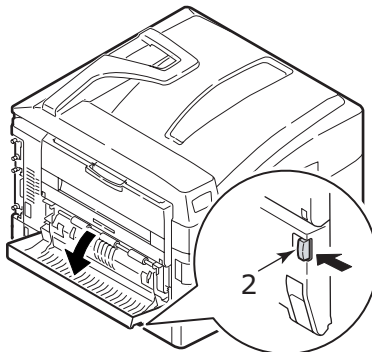
PAPER JAMS – DUPLEX UNIT (IF INSTALLED)

CHECK DUPLEX UNIT, PAPER JAM

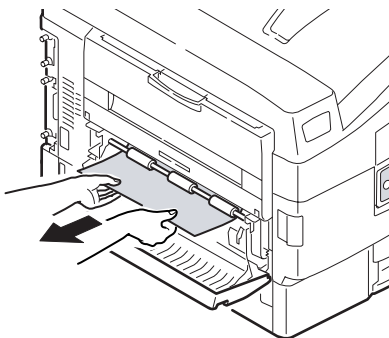
1. If a Finisher unit is attached to your printer, operate the lever (1) of the Inverter unit to separate the Inverter from the printer.



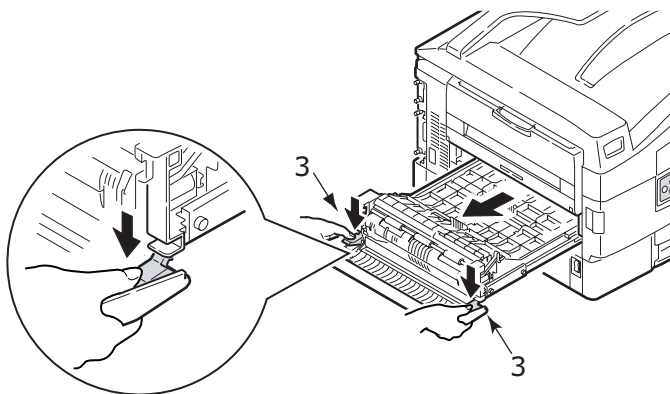
2. Operate the duplex cover release button (2) and open the cover.



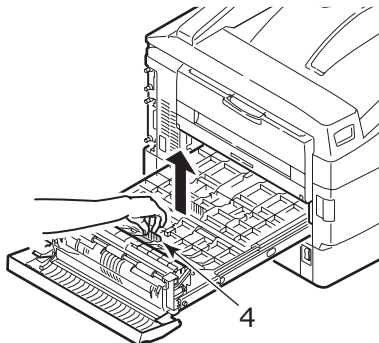
- 3.** Carefully remove any jammed paper.



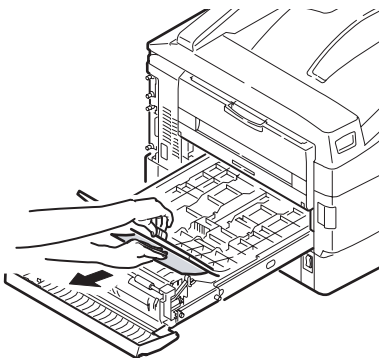
- 4.** Operate the levers (3) and pull out the duplex unit.



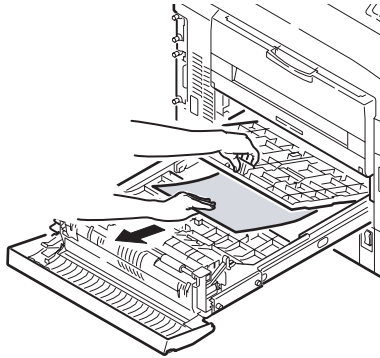
5. Holding the front top cover by the grip (4), push it gently inwards and raise it.



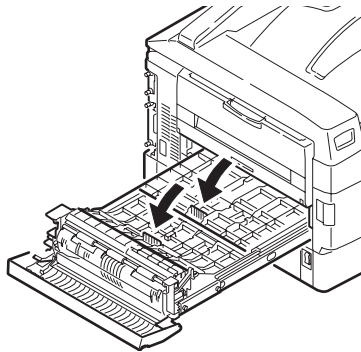
6. Remove any jammed paper.



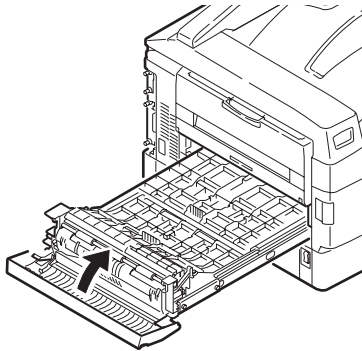
7. In similar manner, check for and clear any paper jammed under the rear top cover.



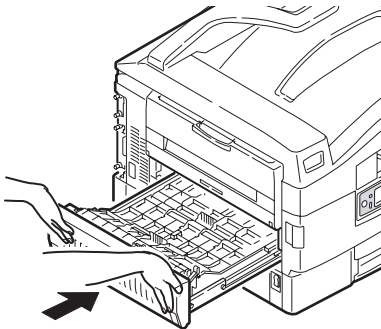
8. Replace the two top covers.



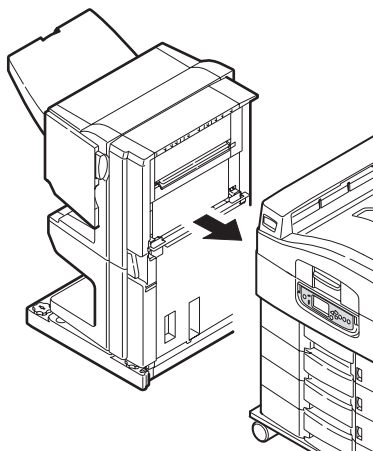
- 9.** Raise the front cover of the duplex unit.



- 10.** Push the duplex unit back into position.



- 11.** If you detached a Finisher unit to gain access to the duplex unit, replace the Finisher unit.



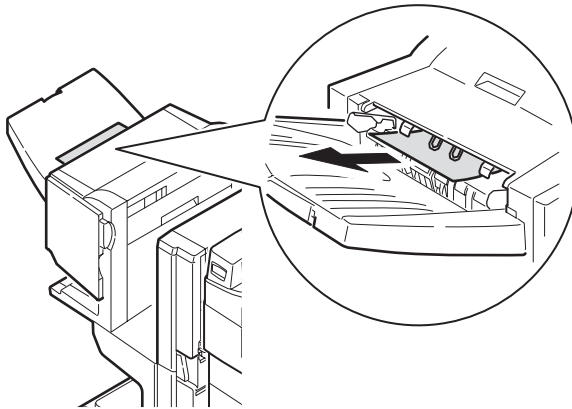
PAPER JAMS – FINISHER (OPTIONAL ACCESSORY)

CHECK FINISHER, PAPER JAM/PAPER REMAINS

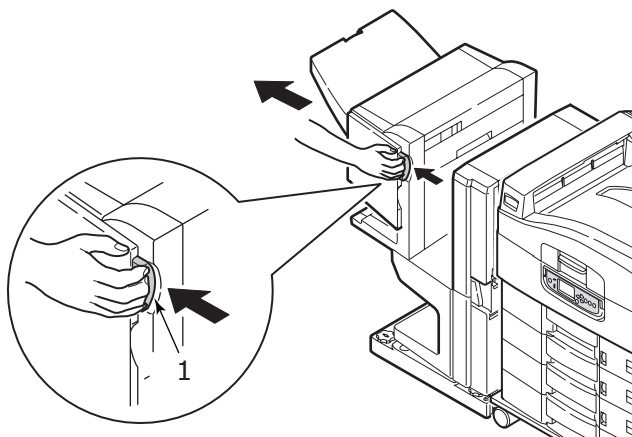
Use the Help button on the printer control panel to check the number displayed. You will need this to be able to clear the paper jam. The following paragraphs explain what to do for each of the indicated numeric codes.

591, 592, 593, 599/ 643, 645 (PAPER JAM AROUND FINISHER)

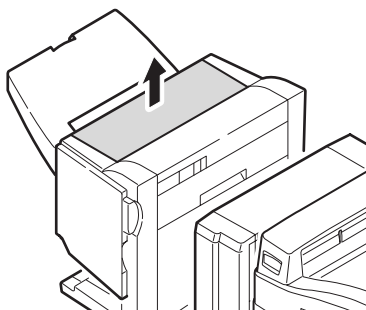
1. Remove any paper at the Finisher paper exit.



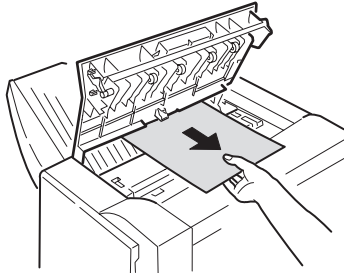
2. Operate the Finisher lever (1) and move the Finisher away from the Inverter.



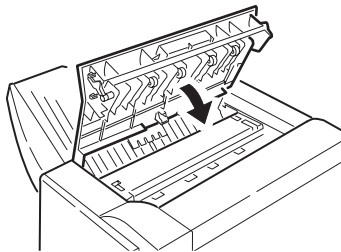
3. Open the Finisher top cover.



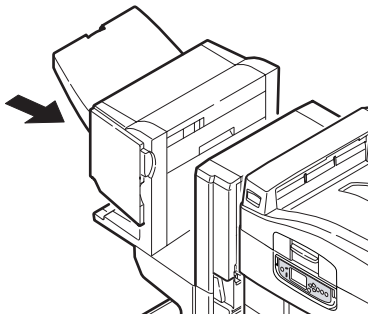
- 4.** Carefully remove any jammed paper.



- 5.** Close the Finisher top cover.

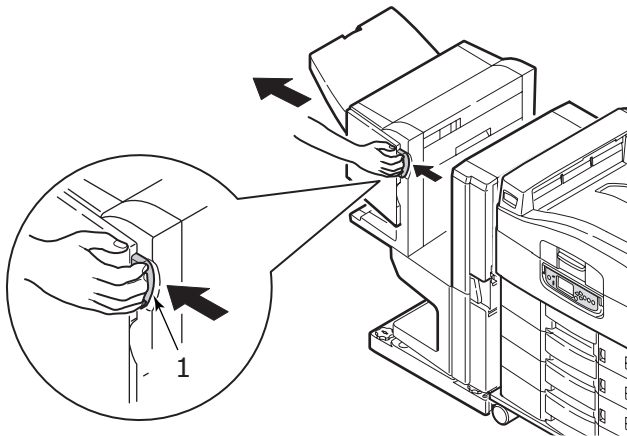


- 6.** Move the Finisher back into position and connect it to the Inverter.

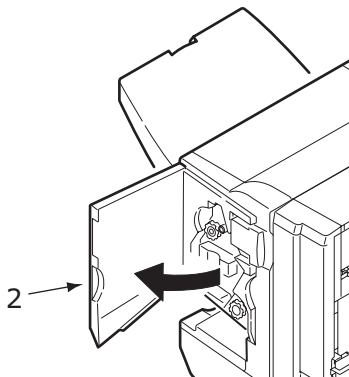


594, 597, 598/ 644, 646 (PAPER JAM IN FINISHER)

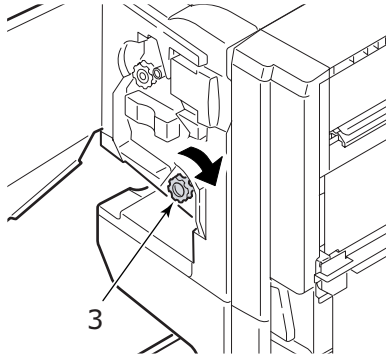
1. Operate the Finisher lever (1) and move the Finisher away from the Inverter.



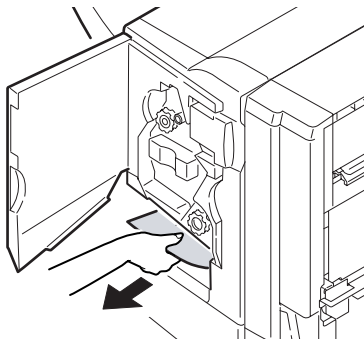
2. Open the Finisher front cover (2).



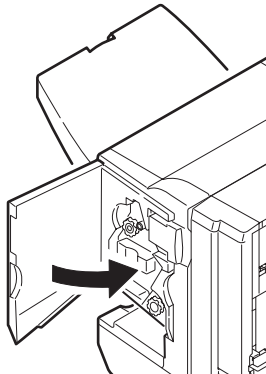
- 3.** Continue to turn the lower knob (3) clockwise until any jammed paper is completely ejected.



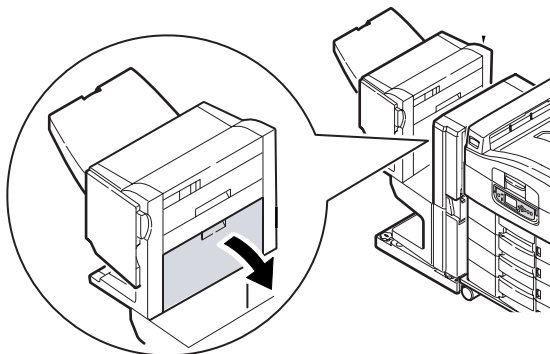
- 4.** Remove the ejected paper.



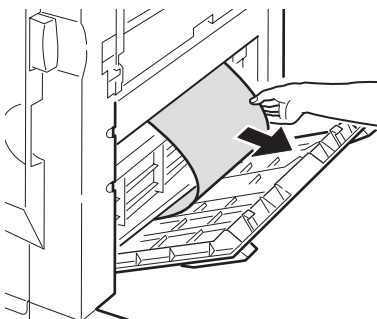
- 5.** Close the Finisher front cover.



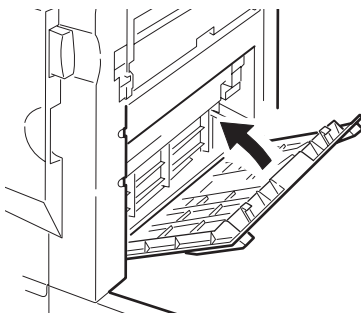
- 6.** Open the Finisher right side cover.



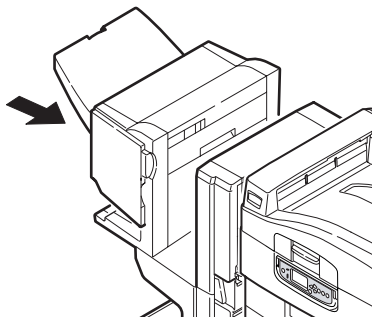
- 7.** Carefully remove any jammed paper.



- 8.** Close the Finisher right side cover.

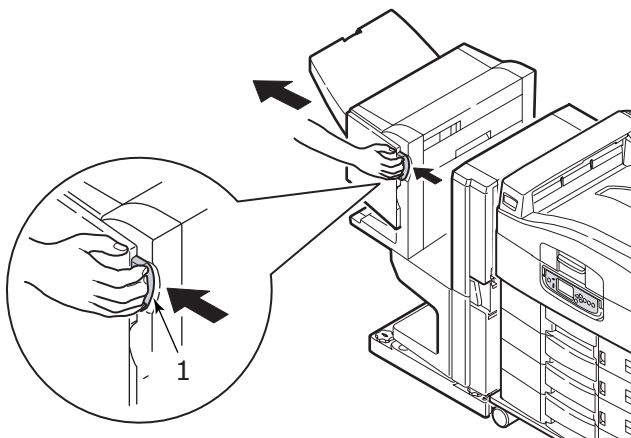


9. Move the Finisher back into position and connect it to the Inverter.

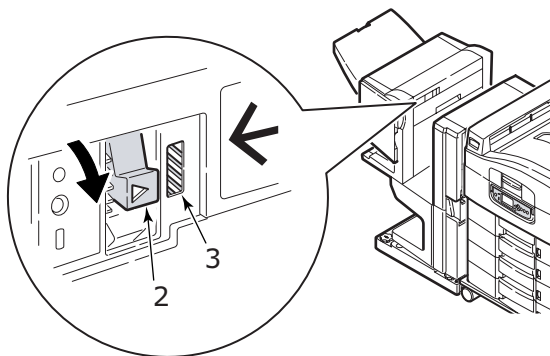


590 (PAPER JAM IN FINISHER/PUNCH UNIT)

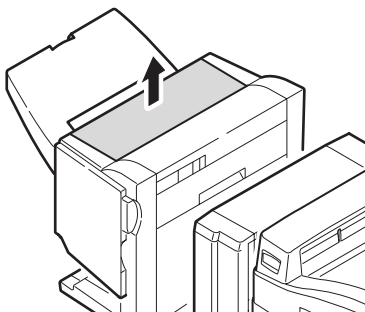
1. Operate the Finisher lever (1) and move the Finisher away from the Inverter.



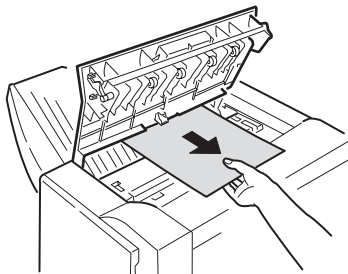
2. Move the tab (2) on the right side of the Finisher to align it with the mark (3).



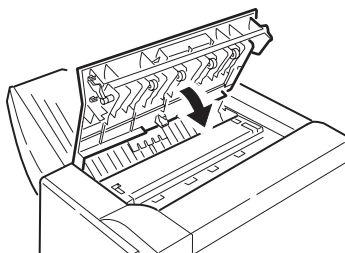
3. Open the Finisher top cover.



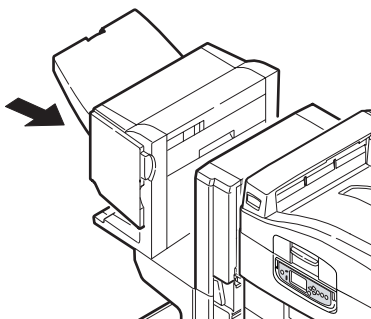
4. Carefully remove any jammed paper.



5. Close the Finisher top cover.

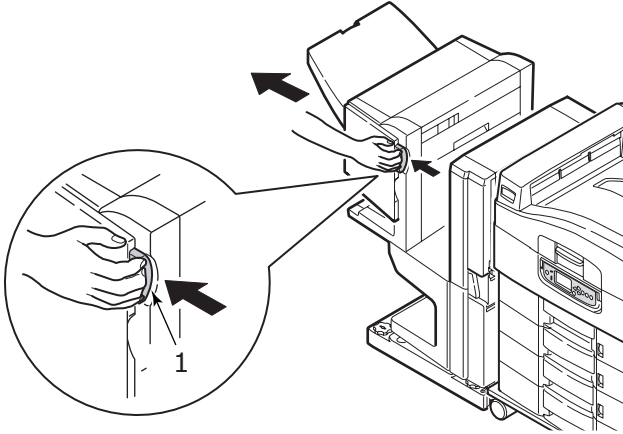


6. Move the Finisher back into position and connect it to the Inverter.

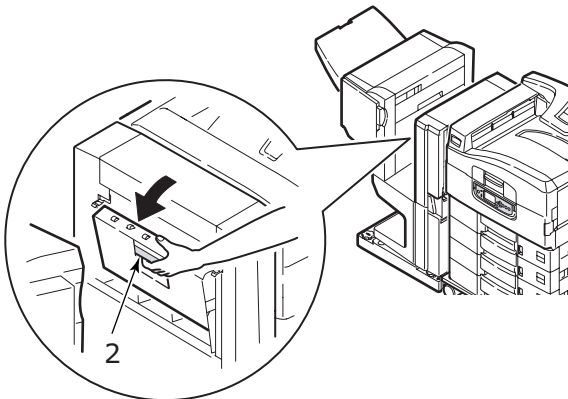


CHECK INVERTER, PAPER JAM

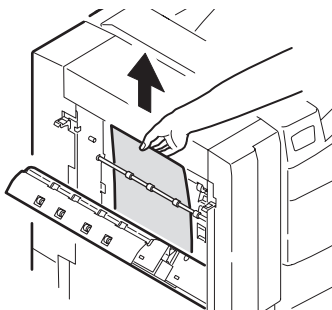
1. Operate the Finisher lever (1) and move the Finisher away from the Inverter.



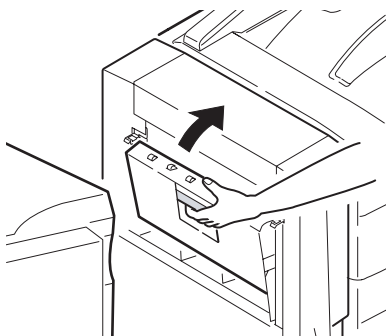
2. Squeeze the recessed handle (2) and open the left side cover of the Inverter.



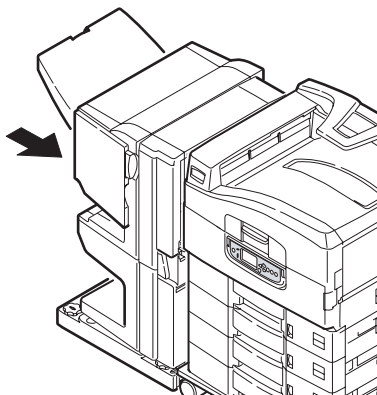
3. Carefully remove any jammed paper.



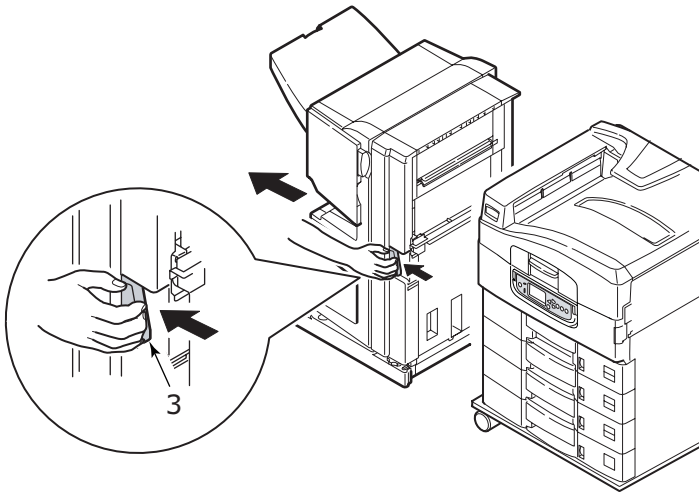
4. Close the Inverter left side cover.



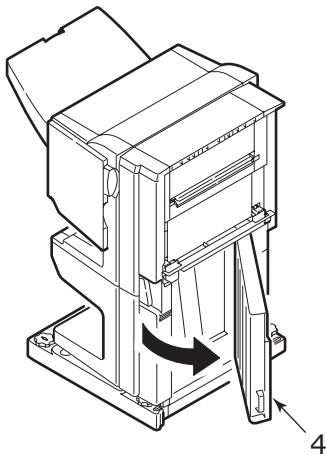
5. Move the Finisher back into position and connect it to the Inverter.



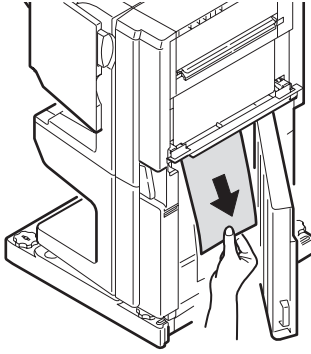
6. Operate the Inverter lever (3) and separate the Inverter from the printer.



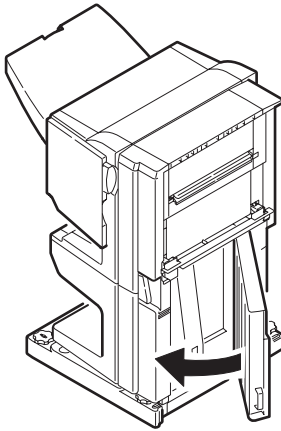
7. Open the right side door (4) of the Inverter.



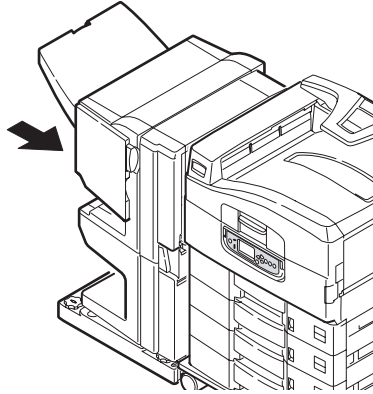
- 8.** Remove any jammed paper.



- 9.** Close the right side door.



10. Move the Finisher and Inverter back into position and connect to the printer.



AVOIDING PAPER JAMS

The following table summarizes possible causes of paper jams and suggests ways of avoiding them.

POSSIBLE CAUSE	SUGGESTED REMEDY
The printer is not level.	Place the printer on a steady, level surface.
Your print media is too light or too heavy.	Use appropriate media.
Your print media is damp or charged with static electricity.	Use media that has been stored in appropriate temperature and humidity conditions.
Your print media is creased or curled.	Use appropriate media. Decurled media can be used.
Your print media sheets are not aligned with each other.	Remove the sheets, jog them into alignment and reload them.
Your print media is not aligned properly in the paper tray.	Adjust the paper stop and paper guides of the tray, or the manual feed guide on the MP Tray to align the media properly.
Your envelopes to be printed are not oriented properly.	Adjust the orientation as required.

POSSIBLE CAUSE	SUGGESTED REMEDY
Your printer feed roller is dirty.	Wipe the roller with a cloth moistened with water.
Your printer feed rollers are wearing out.	Replace the feed rollers.
The media weight or type have been wrongly set.	Select the correct printer menu settings for [Media Weight] and [Media Type].

DEALING WITH UNSATISFACTORY PRINTING

SYMPTOMS	POSSIBLE CAUSES	STEPS TO TAKE
Vertical white lines can be seen on the printed page.	The LED head is dirty.	Wipe the LED head with a LED lens cleaner or with a soft cloth.
	The toner is low.	Replace the toner cartridge.
	Foreign materials may be present in the image drum.	Replace the image drum cartridge.
	Light-shielding film of the image drum cartridge is dirty.	Wipe the film with a LED lens cleaner or with a soft cloth.
Printed images are fading vertically.	The LED head is dirty.	Wipe the LED head with a LED lens cleaner or with a soft cloth.
	The toner is low.	Replace the toner cartridge.
	The paper is not suitable for the printer.	Use recommended paper.

SYMPTOMS	POSSIBLE CAUSES	STEPS TO TAKE
Printing is light.	The toner cartridge is not properly seated.	Reinstall the toner cartridge.
	The toner is low.	Replace the toner cartridge.
	The paper is moist.	Use paper stored in proper temperature and humidity conditions.
	The paper is not suitable for the printer.	Use recommended paper.
	Thickness and type of paper are inappropriate.	Set a proper value for [Media Weight] and [Media Type] in the menu setup, or set one value thicker for [Media Weight].
	Recycled paper is being used.	Set one value thicker for [Media Weight] in the menu setup.
Partially faded images. White spots and lines appear in solid printing.	Paper is moist or dry.	Use paper stored in proper temperature and humidity conditions.
Vertical lines appear.	The image drum cartridge is damaged.	Replace the image drum cartridge.
	The toner is low.	Replace the toner cartridge.
Horizontal Lines and spots appear periodically.	When the interval is about 94mm (4in), the image drum (the green tube) is damaged or dirty.	Wipe it lightly with a soft cloth. Replace the image drum cartridge when it is damaged.
	When the interval is about 42mm (1.5in), there may be foreign particles in the image drum cartridge.	Open/close the top cover, and print again.
	When the interval is about 87mm (3.5in), the fuser unit is damaged.	Replace the fuser unit.
	The image drum cartridge has been exposed to light.	Replace the image drum cartridge if the problem is not resolved.

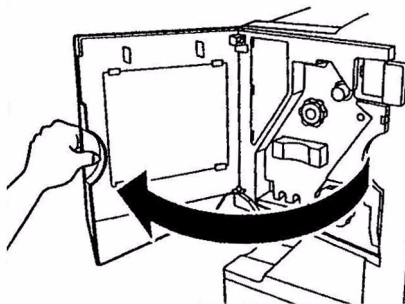
SYMPTOMS	POSSIBLE CAUSES	STEPS TO TAKE
White area of paper is lightly stained.	Paper contains static.	Use paper stored in proper temperature and humidity conditions.
	Too thick paper is used.	Use thinner paper.
	The toner is low.	Replace the toner cartridge.
Periphery of the letters is smudged.	The LED head is dirty.	Wipe the head with LED lens cleaner or with a soft cloth.
Toner comes off when it is rubbed.	The thickness and type of the paper are incorrectly set.	Set the correct value of [Media Type] and [Media Weight] in the menu setup or set one value thicker for [Media Weight].
	Recycled paper is used.	Set one value thicker for [Media Weight] in the menu setup.
Glossiness is not uniform.	The thickness and type of the paper are incorrectly set.	Set the correct value of [Media Type] and [Media Weight] in the menu setup or set one value lighter for [Media Weight].

STAPLE JAMS – FINISHER (OPTIONAL ACCESSORY)

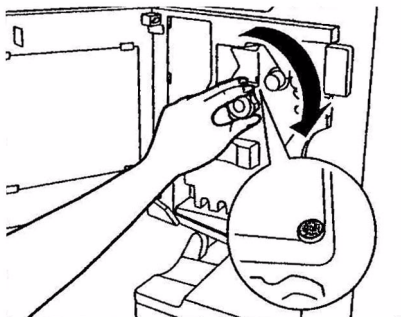
CHECK FINISHER, STAPLE JAM

When the display indicates a staple jam has occurred, clear the jam as follows:

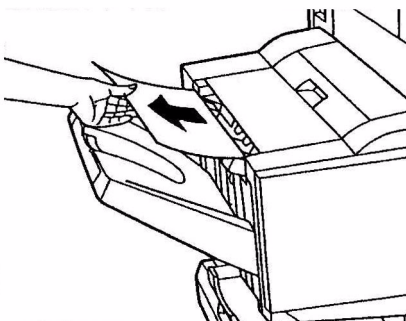
1. Open the Finisher front cover.



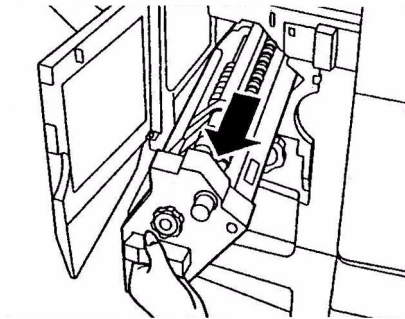
2. Turn the knob in the direction indicated until the colored indicator appears.



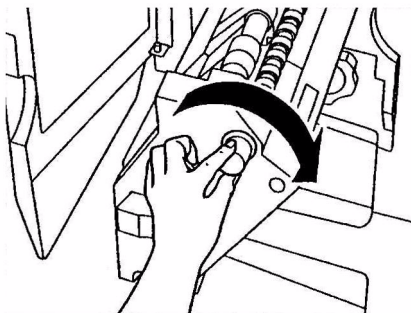
3. Remove any paper that awaits stapling in the paper ejection area.



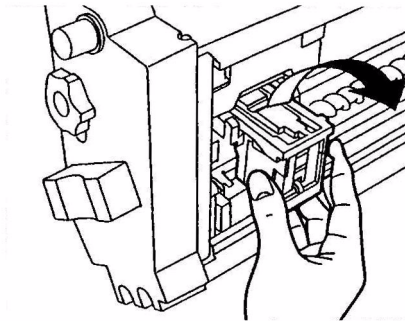
4. Pull out the staple unit.



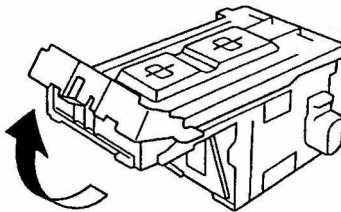
5. Turn the knob in the direction indicated to move the stapler to the front.



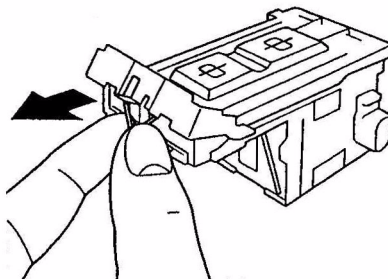
- 6.** Grip both sides of the staple cartridge, pull it up and remove it.



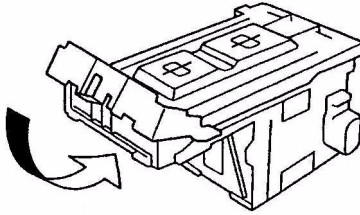
- 7.** Raise the staple cartridge gate.



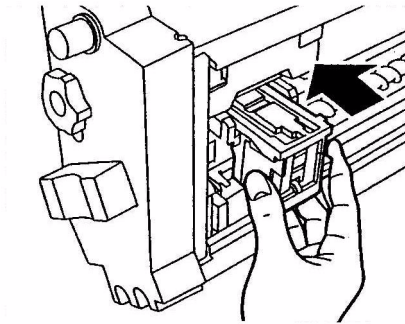
- 8.** Remove all staples that are emerging from the staple case.



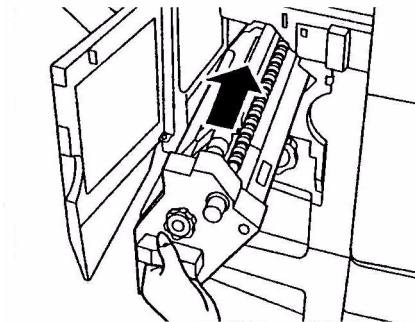
- 9.** Return the staple cartridge gate to its original position.



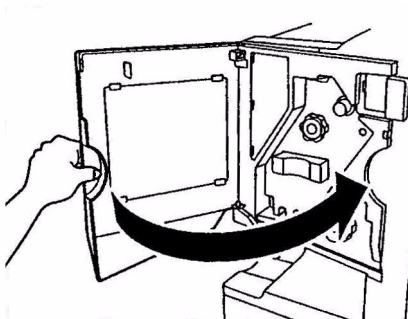
- 10.** Replace the staple cartridge.



- 11.** Ensure that the staple cartridge is securely installed back into the staple unit then push the staple unit fully home.



- 12.** Close the Finisher front cover, being careful not to trap your fingers.



SPECIFICATIONS

ITEM	SPECIFICATION
Dimensions	23.6x25x18.5in (WxDxH) 599x625x471mm (WxDxH)
Weight	Without options, approx. 167.5 lb (76 kg)
Print speeds	36 ppm color; 40 ppm monochrome 20 – 28 lb paper
Resolution	1200 x 600 dpi
Emulations	PCL 5c, PCL XL 2.1, PS, IBM PPR, Epson FX
Memory	512 MB, expandable; Max 1 GB
Paper input at 20 lb (75 g/m ²)	Trays 1 – 5: 530 sheets Letter each MP Tray: 230 sheets Letter
Paper weight	14 - 73 lb. (64-330 g/m ²)
Paper output	Face-down stacker: 500 sheets Face-up stacker: 200 sheets
Interfaces	Parallel, USB 2.0, 10Base-T and 100Base-TX
Duty cycle	150,000 pages/month maximum
Toner life Black Cyan, Magenta, Yellow	18,500 Letter pages @ 5% coverage 16,500 Lettr pages @ 5% coverage
Image drum life	42,000 Letter pages
Belt life	100,000 Letter pages
Fuser life	100,000 Letter pages
Waste toner bottle life	30,000 Letter pages
Power rating	110 – 127 VAC, 60 Hz 230 VAC, 50 Hz +/- 2Hz
Power consumption	Operating: 1,500 W maximum, 780W typical Standby: 600 W maximum, 200 W typical Power save: 34 W
Operating environment	Operating: 50 – 90°F/20 – 80%RH Off: 32 – 110°F/10 – 90%RH

ITEM	SPECIFICATION
Noise level	Operating: 54dBA maximum Standby: 42dBA maximum Power save: 28dBA maximum after 30 mins background level

APPENDIX A – DISPLAY PANEL MESSAGES

The display panel messages are intended to be self-explanatory. Representative messages are given as examples below.

MESSAGE	COMMENT
Ready to Print	Your printer is online and ready to print.
Printing tttttt	Your printer is printing and paper is currently being fed from tttttt, where tttttt identifies a tray.
ttttt Near End	The paper supply in the tray identified by tttttt will run out soon.
ccccc Toner Low	The remaining toner of color ccccc is running low.
Fuser Unit Near Life	The fuser unit is nearing the end of its working life.
Change Fuser Unit	The fuser unit has reached the end of its working life and has to be changed.
Inverter is Removed	The Inverter unit has been separated from the printer and all Finisher functions are disabled. (Finisher/Inverter is an optional accessory.)
Invalid Data Press ONLINE Button	Invalid data has been received by the printer. Press the ONLINE button to clear this warning.
Change Paper in tttttt mmmmmm pppppp Press ONLINE button Please see HELP for details	There is a mismatch between the media in the tray and print data. Load media of size mmmmmm and type pppppp into tray tttttt. The message may remain for some time after you have closed the tray. You can have the printer ignore this error for the current print job by pressing the ONLINE button. You can access help details by pressing the HELP button.
Install Paper ttttt mmmmmm Please see HELP for details	The printer has tried to take paper from an empty tray. Load media of size mmmmmm into tray tttttt. The message may remain for some time after you have closed the tray. You can access help details by pressing the HELP button.
Install Tray ttttt	The printer has tried to take paper from a tray that has been removed. Ensure that tray tttttt is correctly located or put tray tttttt loaded with paper back into the printer.

MESSAGE	COMMENT
<p>Open Cover Paper Remains ttttt Please see HELP for details</p>	<p>Additional paper has been detected after a paper jam has been cleared. Open ttttt side cover to check for additional paper. You can access help details by pressing the HELP button.</p>
<p>Check Image Drum ccccc Please see HELP for details</p>	<p>Check that the image drum of color cccccc is correctly installed. You can access help details by pressing the HELP button.</p>

APPENDIX B – MENU SYSTEM

The top-level Functions menus are:

- > Configuration
- > Print Information
- > Print Secure Job
- > Menus
- > Admin Setup
- > Calibration
- > Print Statistics

The two other special top-level menus are:

- > Boot Menu
- > System Maintenance

The following tables summarise the Configuration, Print Information, Print Secure Job and Menus menu trees and provide some usage examples. The menu trees are given to the lowest menu item level. Typically, this can be a parameter that can be set by selecting from a range of values provided or a command that can be executed to display or print a status or setting value.

Emboldened values followed by an (A) denote default values associated with locations where A4 is default paper size.

Emboldened values followed by an (L) denote default values associated with locations where Letter is default paper size.

Emboldened values followed by neither (A) nor (L) denote common defaults.

Certain menus and items associated with, for example, the Finisher appear only if the associated hardware is installed or under certain conditions.

The remainder of the menus above are intended for more specialized usage and are not described further here. For full details of using all menus to configure and use the printer, refer to the Network and Configuration Guide.

CONFIGURATION

PRINT PAGE COUNT

ITEM	VALUE	DESCRIPTION
Total Pages	nnnnnn	Displays the total number of pages printed. Note: in duplex printing, each sheet is counted as 2 pages.
Color Page	nnnnnn	Displays number of color printed pages converted to Letter equivalent.
Monochrome Page	nnnnnn	Displays number of monochrome printed pages converted to Letter equivalent.
Traym	nnnnnn	Displays total printed pages from Traym, where m is in range 1 to 5.
MP Tray	nnnnnn	Displays total printed pages from MP tray.

FINISHER COUNT

ITEM	VALUE	DESCRIPTION
Staple	nnnnnn	Displays total pages stapled.
Punch	nnnnnn	Displays total pages punched.
Finisher	nnnnnn	Displays total pages ejected into the Finisher.

SUPPLIES LIFE

ITEM	VALUE	DESCRIPTION
xxxx Drum	Remaining nnn%	Displays the remaining life span of the xxxx drum as a percentage where xxxx can be Cyan, Magenta, Yellow, Black.
Belt	Remaining nnn%	Displays the remaining life span of the belt unit as a percentage.
Fuser	Remaining nnn%	Displays the remaining life span of the fuser unit as a percentage.
xxxx Toner (n.nK)	Remaining nnn%	Displays the remaining life span of xxxx toner as a percentage, where xxxx can be Cyan, Magenta, Yellow, Black. (n.nK) indicates the capacity of the toner cartridge being used.

NETWORK

ITEM	VALUE	DESCRIPTION
Printer Name	xxxxxxxxxxxxxxxx xxxxxxxxxxxxxxxx	Displays printer name (DNS or PnP) in wired network.
Short Printer Name	xxxxxxxxxxxxxxxx	Displays printer name (NetBEUI) in wired network.
IP Address	xxx.xxx.xxx.xxx	Displays IP address.
Subnet Mask	xxx.xxx.xxx.xxx	Displays subnet mask.
Gateway Address	xxx.xxx.xxx.xxx	Displays gateway address.
MAC Address	xx.xx.xx.xx.xx.xx	Displays the network MAC address.
Network FW Version	xx.xx	Displays the network firmware version.
Web Remote Version	xx.xx	Indicates the network web page version.

PAPER SIZE IN TRAY

ITEM	VALUE	DESCRIPTION
Traym where m is in range 1 to 5 (similar arrangement for all trays)	Executive Letter Short Edge Letter Long Edge Legal 14 Legal 13.5 Tabloid Tabloid Extra Legal 13 A6 A5 A4 Short Edge A4 Long Edge A3 A3 Nobi A3 Wide B5 Short Edge B5 Long Edge B4 Postcard Double Postcard Custom	Displays detected paper size of Traym.
MP Tray	Similar to values for Traym	Displays detected paper size of the MP Tray.

SYSTEM

ITEM	VALUE	DESCRIPTION
Serial Number	xxxxxxxxxxxxxxxx	Displays serial no. of the printer.
Asset Number	xxxxxxx	Displays Asset Number. Asset Number is 8 alphanumeric characters that can be assigned by a user. Same as Asset Number of Menu Map.
CU Version	xx.xx	Displays version no. of CU (Control Unit) firmware. Same as CU version of Menu Map.
PU Version	xx.xx.xx	Displays version no. of PU (Print Unit) firmware. Same as PU version of Menu Map.

ITEM	VALUE	DESCRIPTION
Total Memory	xx MB	Displays total RAM memory installed in the printer. Same as Total Memory of Menu Map.
Flash Memory	xx MB [Fxx]	Displays total flash memory installed in the printer and version. Same as Flash Memory of Menu Map.
HDD	xx.xx GB [Fxx]	Displays size of hard disk and file system version. Same as HDD of Menu Map.

CONFIGURATION EXAMPLE – MONOCHROME PAGES PRINTED

To display the total monochrome pages printed so far (remembering that a duplex page counts as two pages):

1. Ensure that the display panel indicates that the printer is ready to print.
2. Enter menu mode by pressing either the **Up-arrow** or **Down-arrow** button and press them repeatedly until the Configuration menu is highlighted.
3. Press the **Enter** button to select this menu.
4. Press the **Up-arrow** or **Down-arrow** buttons repeatedly until Print Page Count is highlighted.
5. Press the **Enter** button to select this Item.
6. Press the **Up-arrow** or **Down-arrow** buttons repeatedly until Monochrome Page is highlighted.
7. Press the **Enter** button and the monochrome page count is displayed.
8. Press the **Online** button to exit menu mode and return to the ready to print status.

PRINT INFORMATION

ITEM		ITEM	DESCRIPTION
Configuration	Execute		Prints printer configuration details.
Network	Execute		Prints summary information about the wired network.
Demo Page	Demo 1	Execute	Prints a demo page.
File List	Execute		Prints a list of jobs stored on the Hard Disk (if installed).
PS Font List	Execute		Prints PostScript font list
PCL Font List	Execute		Prints PCL emulation font list.
IBM PPR Font List	Execute		Prints IBM PPR emulation font list.
EPSON FX Font List	Execute		Prints EPSON FX emulation font list.
Statistics Log	Execute		Prints Job records by print job.
Usage Report	Execute		Prints all of Job Log.
Error Log	Execute		Prints the error log.
Color Profile List	Execute		Prints a color profile list.

PRINT INFORMATION EXAMPLE – DEMONSTRATION PAGE

To print a printer demo page to demonstrate how your printer prints:

- 1.** Ensure that the display panel indicates that the printer is ready to print.
- 2.** Enter menu mode by pressing either the **Up-arrow** or **Down-arrow** button and press them repeatedly until the Print Information menu is highlighted.
- 3.** Press the **Enter** button to select this menu.
- 4.** Press the **Up-arrow** or **Down-arrow** buttons repeatedly until Demo page is highlighted.
- 5.** Press the **Enter** button to select this Item.
- 6.** Press the **Up-arrow** or **Down-arrow** buttons repeatedly until Demo 1 is highlighted.
- 7.** Press the **Enter** button to select this Item and the demo page is printed.
- 8.** After printing, the printer returns to ready to print status.

PRINT SECURE JOB

ITEM	VALUE		DESCRIPTION
Encrypted Job	Enter Password	nnnn	Enter a password to use secure printing.
	Not Found		Use to print an encrypted secure job that has been stored on the HDD.
	Encrypted Job	Print Delete	<p>Not Found: (no jobs) is indicated when there is no output file. The following messages are displayed when there are printable files.</p> <p>Print: When you select Print, Set Collating Amount is displayed to enable you to specify a number of copies. After specifying the number of copies, press Enter to print all jobs with the specified number of copies.</p> <p>Delete: When you select Delete, you are prompted to recheck by Yes/No display, and selecting Yes deletes all jobs.</p> <p>After the job is printed, or the deletion of the job is instructed by the menu, the job is deleted in the manner specified in the printer driver.</p>

MENUS

TRAY CONFIGURATION

ITEM	VALUE	DESCRIPTION
Paper Feed	Tray1 Tray2 Tray3 Tray4 Tray5 MP Tray	Specifies a feed tray. Indicated only when Tray2-5 implemented.
Auto Tray Switch	ON OFF	Sets the automatic tray switch function.
Tray Sequence	Down Up Paper feed tray	Specifies selection order priority for automatic tray selection/automatic tray switch.
Unit of Measure	Inch (L) mm (A)	Specifies units for custom paper size.

ITEM	VALUE		DESCRIPTION
Traym Config, where m is in range 1 to 5 (similar arrangement for all trays)	Paper Size	Tray Size Custom	Sets paper in Traym.
	X Dimension	3.9 – 8.3 (A) – 8.5 (L) – 12.9 inch 100 – 210 (A) – 216 (L) – 328 mm	Sets Custom paper width for Traym. Sets for the direction perpendicular to the direction of paper movement.
	Y Dimension	5.8 – 11 (L) – 11.7 (A) – 18 inch 148 – 279 (L) – 297 (A) – 457 mm	Sets Custom paper length for Traym. Sets for the same direction as paper movement.
	Media Type	Plain Letterhead Transparency Bond Recycled Card stock Rough Glossy User Type1 User Type2 User Type3 User Type4 User Type5	Sets the media type for Traym. User Type1 to User Type5 are reserved for custom paper sizes set in the printer driver.
	Media Weight	Auto Light Medium Light Medium Medium Heavy Heavy Ultra Heavy 1 Ultra Heavy 2 Ultra Heavy 3	Sets media weight for Traym.
	A3 Nobi Paper	A3 Nobi A3 Wide Tabloid Extra	The printer detects A3 Nobi, A3 Wide and Tabloid Extra sizes as the same. Use this setting to tell the printer which of the three sizes is loaded in Traym.

ITEM	VALUE		DESCRIPTION
Traym Config, where m is in range 1 to 5 (similar arrangement for all trays)	Legal 14 Paper	Legal 14 Legal 13.5	Sets the length of the legal paper in Traym. Change this to Legal 13.5 if that is the standard legal size in your country.

ITEM	VALUE		DESCRIPTION
MP Tray Config	Paper Size	A3 Nobi A3 Wide A3 A4 Sht Edge A4 Long Edge (A) A5 A6 B4 B5 Short Edge B5 Long Edge Legal 14 Legal 13.5 Tabloid Extra Tabloid Letter Sht Edge Letter Long Edge Edge (L) Executive Custom Com-9 Envelope Com-10 Envelope Monarch Envelope DL Envelope Landscape Postcard Double postcard C5 C4 Envelope Index Card	Sets paper size for MP Tray.
	X Dimension	3 – 8.3 (A) – 8.5 (L) – 12.9 inch 76 – 210 (A) – 216 (L) – 328 mm	Sets Custom paper width for the MP Tray. Sets for the direction perpendicular to the direction of paper movement.
	Y Dimension	3.5 – 11.0 (L) – 11.7 (A) – 47.2 inch 90 – 279 (L) – 297 (A) – 1200 mm	Sets Custom paper length for MP Tray. Sets for the same direction as paper movement.

ITEM	VALUE		DESCRIPTION
MP Tray Config	Media Type	Plain Letterhead Transparency Labels Bond Recycled Card stock Rough Glossy Envelope User Type1 User Type2 User Type3 User Type4 User Type5 User Type 6 User Type 7 User Type 8 User Type 9 User Type 10	Sets the media type for MP Tray.
	Media Weight	Auto Light Medium Light Medium Medium Heavy Heavy Ultra Heavy 1 Ultra Heavy 2 Ultra Heavy 3 Ultra Heavy 4	Sets the media weight for MP Tray.
	Tray Usage	Normal Tray	Tray selection/switching uses this tray as the normal tray.
		When Mismatching	If a paper size or type in a tray is not matched to that of the print data, use paper from this tray instead of the specified tray.
		Do Not Use	Makes the MP tray unavailable in auto tray selection/switching.

SYSTEM ADJUST

ITEM	VALUE	DESCRIPTION
Power Save Time	5 min 15 min 30 min 60 min 240 min	Sets the period after which power save mode starts.
Clearable Warning	Online Job	When Online is selected, you must manually clear the warning by pressing the Online button. Change to Job if you wish the message to automatically clear when a new print job is received.
Auto Continue	ON OFF	Sets whether the printer is automatically recovered when Memory Overflow or Tray Request occurs.
Manual Timeout	OFF 30 sec 60 sec	If paper is not fed within this time in manual feed, the job is cancelled.
Wait Timeout	OFF 5 sec 10 sec 20 sec 30 sec 40 sec 50 sec 60 sec 90 sec 120 sec 150 sec 180 sec 210 sec 240 sec 270 sec 300 sec	Sets the time period between stopping receipt of job data and forced print. For PS, printing is not carried out and the job is cancelled.

ITEM	VALUE		DESCRIPTION
Low Toner	Continue Stop		Sets the printing operation when insufficient toner is detected. Continue: the printer can continue printing while remaining online. Stop: the printer stops printing and goes offline.
Jam Recovery	ON OFF		ON: continues printing the job, including any jammed pages, once the jam has been cleared. OFF: Cancels a job including the page currently jammed.
Error Report	ON OFF		ON: prints an error report during the occurrence of an internal error. This item is valid only for PS and PCLXL.
Print Position Adjust	X Adjust	0.00 +0.25 - +2.00 -2.00 - -0.25 mm 0.00 +0.01 - +0.08 -0.08 - -0.01 in	Adjusts the position of the whole printing image (0.25 mm, 0.01 in interval) perpendicular to the direction of paper movement (i.e. horizontally).
	Y Adjust	0.00 +0.25 - +2.00 -2.00 - -0.25 mm 0.00 +0.01 - +0.08 -0.08 - -0.01 in	Adjusts the position of the whole printing image (0.25 mm, 0.01 in interval) parallel to the direction of paper movement (i.e. vertically).

ITEM	VALUE		DESCRIPTION
Print Position Adjust	Duplex X Adjust	0.00 +0.25 – +2.00 -2.00 – -0.25 mm 0.00 +0.01 – +0.08 -0.08 – -0.01in	During the flip-side printing of duplex printing, adjusts the location of the whole printing image (0.25 mm, 0.01in interval) perpendicular to the direction of paper movement (i.e. horizontally).
	Duplex Y Adjust	0.00 +0.25 – +2.00 -2.00 – -0.25 mm 0.00 +0.01 – +0.08 -0.08 – -0.01 in	During the flip-side printing of duplex printing, adjusts the location of the whole printing image (0.25 mm, 0.01 in interval) parallel to the direction of paper movement (i.e. vertically).
Paper Black Setting	0 +1 +2 -2 -1		Used for fine black adjustment for a significantly white horizontal dotted line, a significantly faded image or other such problem that occurs in results printed on plain paper. Decrement setting when a white horizontal dotted line or a snowing image occurs in high-coverage print portions. Increment setting when a faded image occurs.

ITEM	VALUE	DESCRIPTION
Paper Color Setting	0 +1 +2 -2 -1	Used for fine color adjustment for a significantly white horizontal dotted line, a significantly faded image or other such a problem that occurs in results printed on plain paper. Decrement setting when a white horizontal dotted line or a snowy image occurs in high-coverage print portions. Increment setting when a faded image occurs.
Trans. Black Setting	0 +1 +2 -2 -1	Used for fine black adjustment for a significantly white horizontal dotted line, a significantly faded image or other such a problem that occurs in results printed on transparencies. Decrement setting when a white horizontal dotted line or a snowy image occurs in high-coverage print portions. Increment setting when a faded image occurs.
Trans. Color Setting	0 +1 +2 -2 -1	Used for fine color adjustment for a significantly white horizontal dotted line, a significantly faded image or other such a problem that occurs in results printed on transparencies. Decrement setting when a white horizontal dotted line or a snowy image occurs in high-coverage print portions. Increment setting when a faded image occurs.

ITEM	VALUE	DESCRIPTION
SMR Setting	0 +1 +2 +3 -3 -2 -1	Corrects print result variations caused by differences in temperature and humidity environment, or print density or frequency. This setting must be changed when print quality varies by printed result.
BG Setting	0 +1 +2 +3 -3 -2 -1	Corrects print result variations caused by differences in temperature and humidity environment, or print density or frequency. This setting must be changed when a dark background occurs in printed result.
Drum Cleaning	ON OFF	Set to produce idling of a drum before printing in order to reduce horizontal white lines. This shortens image drum life.
Hex Dump	Execute	Prints out the data received from the host PC in hexadecimal code.

MENUS EXAMPLE 1 – TRAY 1 TRANSPARENCIES

To print on transparencies (accommodated in Tray1):

1. Ensure that the display panel indicates that the printer is ready to print.
2. Enter menu mode by pressing either the **Up-arrow** or **Down-arrow** button and press them repeatedly until the Menus menu is highlighted.
3. Press the **Enter** button to select this menu.
4. Press the **Up-arrow** or **Down-arrow** buttons repeatedly until Tray Configuration is highlighted.

5. Press the **Enter** button to select this Item.
6. Press the **Up-arrow** or **Down-arrow** buttons repeatedly until Tray1 Config is highlighted.
7. Press the **Enter** button to select this Item.
8. Press the **Up-arrow** or **Down-arrow** buttons repeatedly until MediaType is highlighted.
9. Press the **Enter** button to select this Item.
10. Press the **Up-arrow** or **Down-arrow** buttons repeatedly to move through the range of media types until Transparency is highlighted.
11. Press the **Enter** button to select this value.
12. Check that an asterisk (*) appears beside Transparency.
13. Press the **Online** button to exit menu mode and return to the ready to print status.

MENUS EXAMPLE 2 – MP TRAY PAPER SIZE

To set paper size in the MP Tray:

1. Ensure that the display panel indicates that the printer is ready to print.
2. Enter menu mode by pressing either the **Up-arrow** or **Down-arrow** button and press them repeatedly until the Menu menu is highlighted.
3. Press the **Enter** button to select this menu.
4. Press the **Up-arrow** or **Down-arrow** buttons repeatedly until Tray Configuration is highlighted.
5. Press the **Enter** button to select this Item.
6. Press the **Up-arrow** or **Down-arrow** buttons repeatedly until MP Tray Config is highlighted.
7. Press the **Enter** button to select this Item.
8. Press the **Up-arrow** or **Down-arrow** buttons repeatedly until Paper Size is highlighted.
9. Press the **Enter** button to select this Item.

- 10.** Press the **Up-arrow** or **Down-arrow** buttons repeatedly to move through the range of paper sizes until the required size is highlighted.
- 11.** Press the **Enter** button to select this value.
- 12.** Check that an asterisk (*) appears beside the chosen size.
- 13.** Press the **Online** button to exit menu mode and return to the ready to print status.