

C910

Setup Guide
Guide d'installation
Guía de Instalación
Guia de instalação

Setup Guide	7
Guide d'Installation	19
Guía de Instalación	31
Guia de instalação	43

English

Hardware Installation7

Package Contents	7
Prepare a Location.	7
Environmental Requirements.	7
Space Requirements.	7
Power Requirements.	7
Unpack the Machine.	8
Prepare the Image Drums	9
Install the Toner Cartridges:	9
Load Paper	10
Install the Paper Catcher	10
Connect to Power	11
Print the Demo Page	11

Making Connections and Installing Software12

Compatible Operating Systems	12
Windows	12
Macintosh	12
CD Contents	12
Printer Drivers	12
Additional Software on the CD	12
Downloadable Utilities.	12
Available Interfaces	13
Windows	13
Macintosh	13
Windows Network Installation	13
Make the Network Connection	13
Print the Network Information Page	14
Install the Driver(s) and Utilities	14
Install the User's Guide.	14
Windows USB Installation.	15
Install the Driver(s) and Utilities	15
Install the User's Guide.	15
Windows Parallel Interface Installation.	15
Install the Driver(s) and Utilities	16
Install the User's Guide.	16

Macintosh Network Installation	16
Make the Network Connection	16
Install the Printer Driver(s) and Utilities	17
Add the Printer.	17
Install the User's Guide	17
Macintosh USB Installation	17
Connect the USB Cable	17
Install the Printer Driver(s) and Utilities	17
Add the Printer.	18
Install the User's Guide	18

Français

Installation de matériel 19

Contenu de l'emballage	19
Choisir un emplacement.	19
Exigences environnementales	19
Espace requis	19
Alimentation	19
Déballer l'appareil	20
Préparation des tambours d'impression	21
Installation de la cartouche de toner	21
Charger le papier	22
Installer la cale du paper.	22
Alimentation	23
Impression d'une page de démonstration	23

Établir des connexions et installer des pilotes d'imprimante 24

Systèmes d'exploitation compatibles	24
Windows	24
Macintosh	24
Contenu du CD	24
Pilotes d'imprimante.	24
Logiciels supplémentaires dans le CD	24
Internet Télécharge	24
Interfaces Disponibles	25
Procédures d'installation.	25
Windows	25
Macintosh	25
Installation réseau Windows	25
Connexion réseau	25
Imprimez la page Network Information [Infos sur le réseau]	26
Installez les pilotes d'imprimante et les utilitaires	26
Installer le Guide de l'utilisateur.	26
Installation USB Windows.	27
Installez les pilotes d'imprimante et les utilitaires	27
Installer le Guide de l'utilisateur.	27
Installation port interface parallèle Windows	27
Installez les pilotes d'imprimante et les utilitaires	28
Installer le Guide de l'utilisateur.	28

Installation réseau Macintosh	28
Connexion réseau	28
Installez les pilotes d'imprimante et les utilitaires	29
Ajout de l'imprimante	29
Installer le Guide de l'utilisateur	29
Installation USB Macintosh	30
Connectez le câble USB	30
Installez les pilotes d'imprimante et les utilitaires	30
Ajout de l'imprimante	30
Installer le Guide de l'utilisateur	30

Español

Instalación de hardware 31

Contenido de la caja	31
Prepare el lugar	31
Requisitos medioambientales.	31
Requisitos de espacio	31
Requisitos de espacio	31
Desempacar la máquina.	32
Prepare los cilindros de imagen.	33
Reinstale el cartuchos de tóner	33
Carga de papel	34
Instalar el de retención del paper	34
Conexión de la alimentación	35
Imprima la página demo	35

Cómo hacer conexiones e instalar los controladores de la impresora . 36

Sistemas operativos compatibles.	36
Windows	36
Macintosh	36
Contenido del CDs	36
Controladores de la impresora	36
Software adicional	36
El internet Descarga	36
Interfaces disponible	37
Procedimientos de instalación	37
Windows	37
Macintosh	37
Instalación de la red bajo Windows	37
Haga la conexión de redes	37
Imprima la página Network Information (Información de red)	38
Instale los controladores de la impresora y las utilidades	38
Instalar la Guía del Usuario	38
Instalación de USB Windows.	39
Instale los controladores de la impresora y las utilidades	39
Instalar la Guía del Usuario	39
Instalación de Interfaz paralela Windows	39
Instale los controladores de la impresora y las utilidades	40
Instalar la Guía del Usuario	40

Instalación de la red bajo Macintosh.	40
Haga la conexión de redes	40
Instale los controladores de la impresora y las utilidades	41
Agregue la impresoras.	41
Instalar la Guía del Usuario	41
Instalación de USB Macintosh	42
Conecte el cable USB	42
Instale los controladores de la impresora y las utilidades	42
Agregue la impresoras.	42
Instalar la Guía del Usuario	42

Português

Instalação do hardware43

Conteúdo do pacote.	43
Prepare o local de instalação.	43
Requisitos ambientais.	43
Requisitos de espaço	43
Requisitos de energia	43
Desembalar a unidade	44
Preparação dos cilindros OPC	45
Instale dos cartuchos de toner	45
Colocar papel	46
Instalar o retentor do papel	46
Conexão da impressora à fonte de energia .	47
Impressão da página de demonstração . . .	47

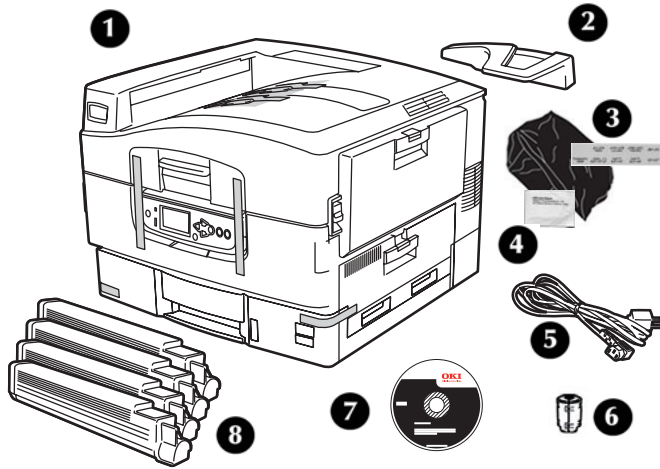
Conexões e instalação dos drivers da impressora48

Sistemas operacionais compatíveis	48
Windows	48
Macintosh	48
Conteúdo do CD	48
Drivers da impressora.	48
Software adicional	48
Download de software	48
Interfaces disponíveis	49
Procedimentos de instalação.	49
Windows	49
Macintosh	49
Instalação em rede Windows	49
Faça a conexão de rede	49
imprima a página de informações da rede	50
Instale os drivers e utilitários.	50
Instalar o Manual do Usuário	50
Instalação USB em Windows.	51
Instale os drivers e utilitários.	51
Instalar o Manual do Usuário	51
Instalação em interface paralela	
Windows	51
Instale os drivers e utilitários.	52
Instalar o Manual do Usuário	52
Instalação em rede Macintosh	53
Faça a conexão de rede	53
Instale os drivers e utilitários.	53
Adição da impressora	54
Instalar o Manual do Usuário	54

Instalação USB em Macintosh	54
Conexão do cabo USB	54
Instale os drivers e utilitários.	54
Adição da impressora	54
Instalar o Manual do Usuário	55

Hardware Installation

Package Contents



- 1 Printer
- 2 Paper Catcher
- 3 Light shield bags, paper tray media labels
- 4 LED lens cleaning pad
- 5 Power cable
- 6 Ferrite core for network models
- 7 CD
- 8 Toner cartridges
- 9 Documentation (not shown)

Note

The Ethernet and USB cables are not supplied with your machine and must be purchased separately.

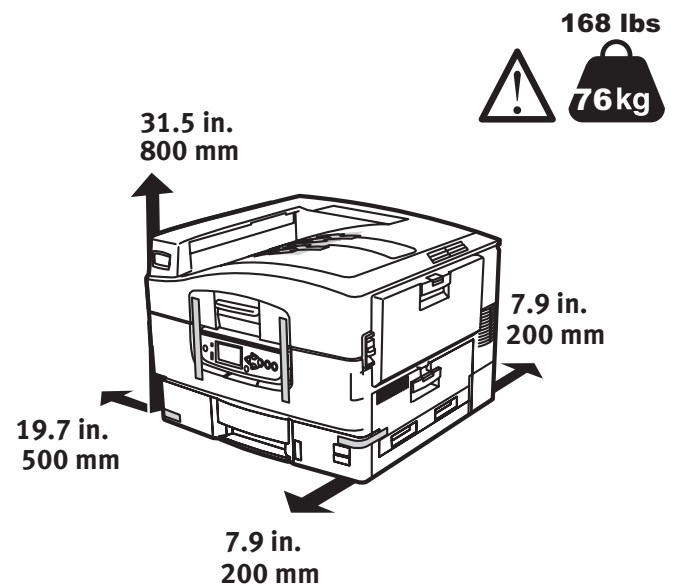
We recommend you keep the packing materials, they are necessary to transport the machine.

Prepare a Location

Environmental Requirements

- Temperature Range: 50 to 90°F (10 to 32°C)
- Humidity: 20 to 80% RH (relative humidity)
If installing your machine where the humidity is less than 30% RH, use a humidifier or antistatic mat.

Space Requirements



Power Requirements

- 110-127 VAC, 60 Hz or 230 VAC, 50 Hz
- 1500 watts maximum.

Important!

Do not connect this product to an uninterruptible power supply (UPS). If the power source is unstable, use a voltage regulator.

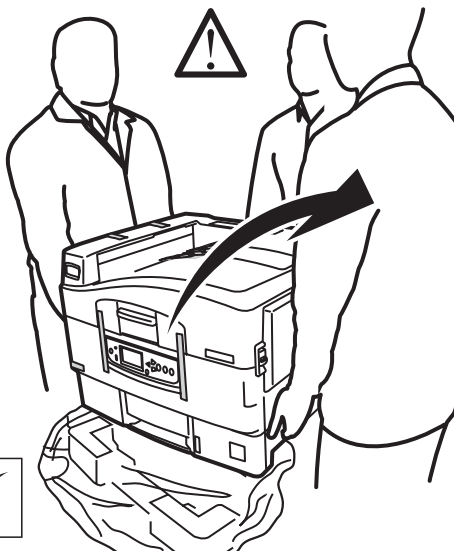
Unpack the Machine

Important!

At least three people are needed to lift the machine safely.



168 lbs.

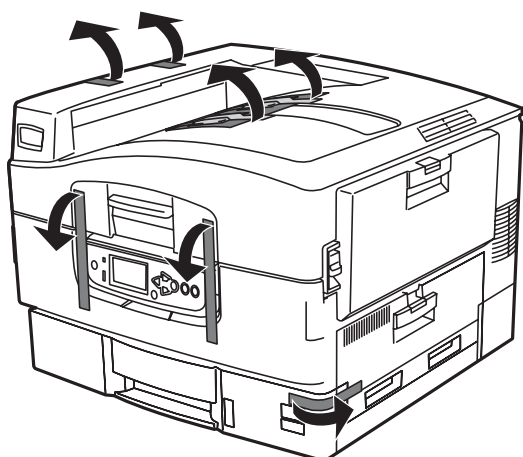


Note

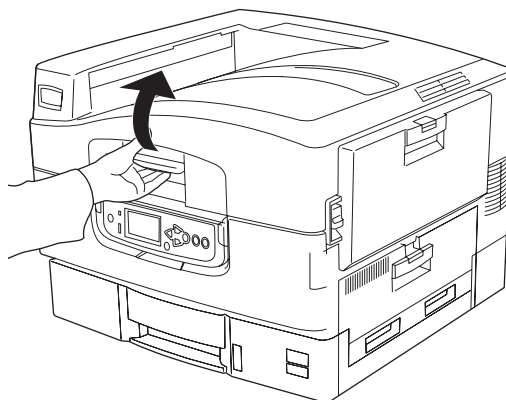
The illustrations below are representative. The actual tape/packing materials may differ somewhat from these illustrated.

Keep the packing materials, they are necessary to transport the machine.

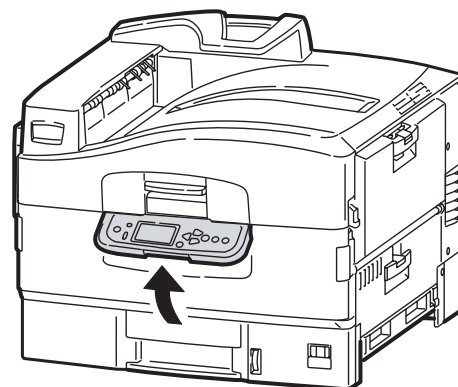
- 1 Lift printer and place on selected location.
- 2 Remove any shipping tape.



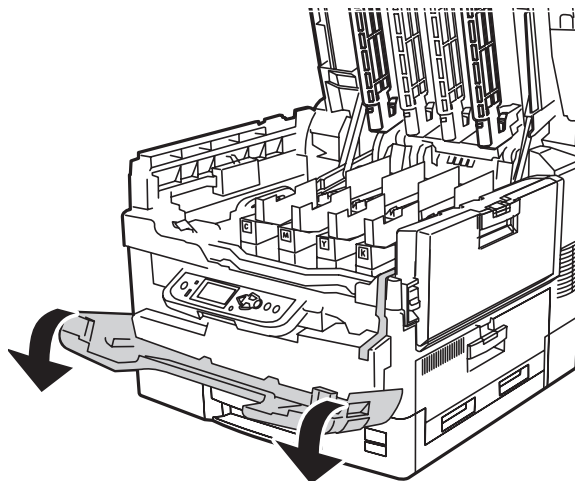
- 3 Lift the top cover.



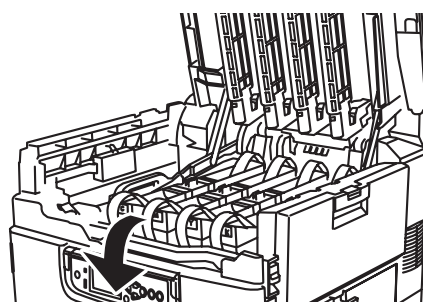
- 4 Lift the operator panel.



- 5 Open the front cover and remove any packing materials.

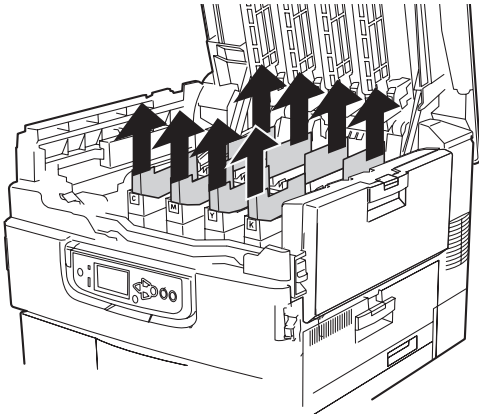


- 6 Close the front cover and adjust the operator panel angle.

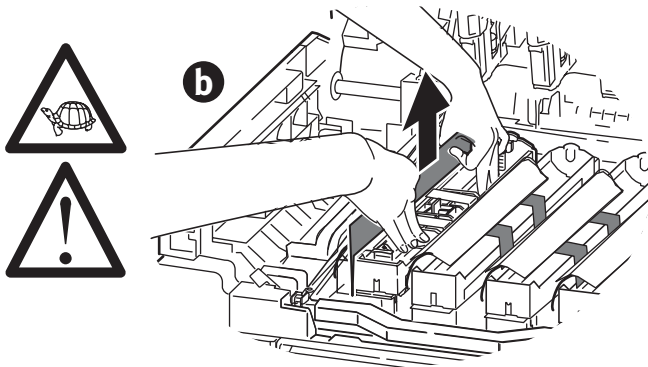


Prepare the Image Drums

- 1 Remove the colored image drum packing pieces.



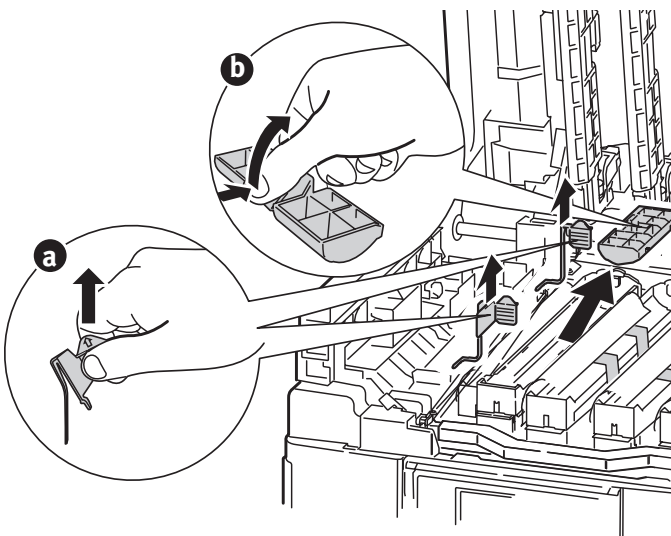
- 2 Remove the tape and the protective sheet.



- 3 Remove the colored locks (a). Remove the tape, then remove the colored seals (b).

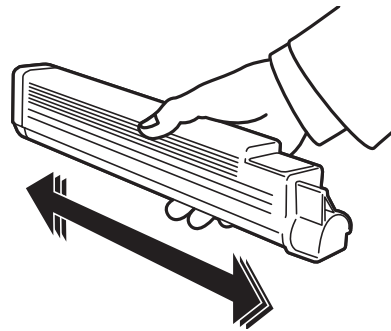
Note

Be sure all tape is removed from image drum cartridges.

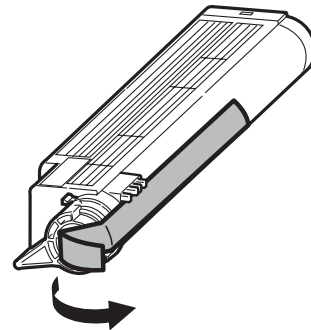


Install the Toner Cartridges:

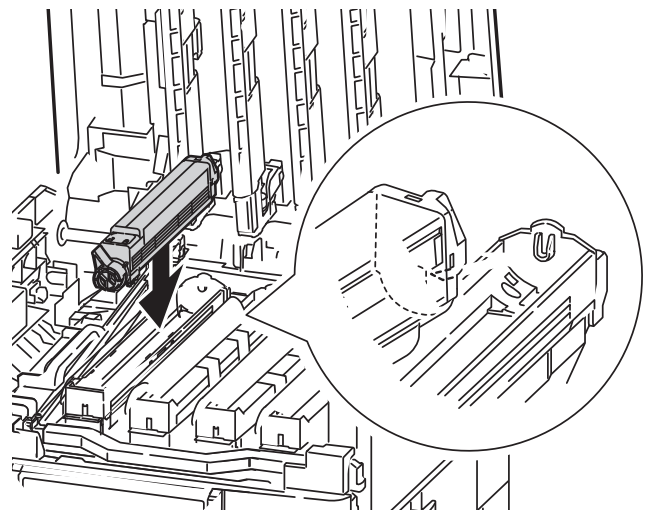
- 1 Shake the toner cartridge from side to side to distribute toner.



- 2 Remove the sealing tape from the toner cartridge bottom.



- 3 Align the notch on the end of the toner cartridge with the tab (a) in the image drum, then lower the toner cartridge into the image drum. Press down to make sure it is seated correctly, then lock toner cartridge with colored lever.

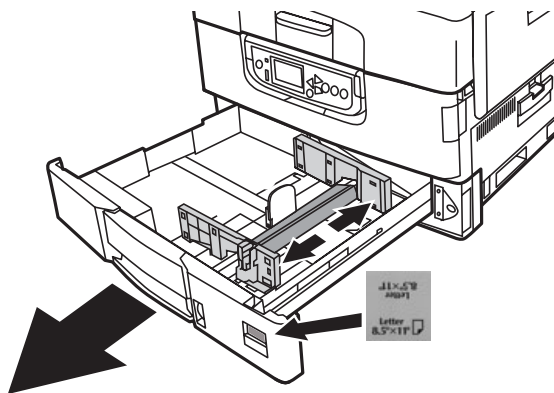


- 4 Repeat these steps for the remaining toner cartridges.

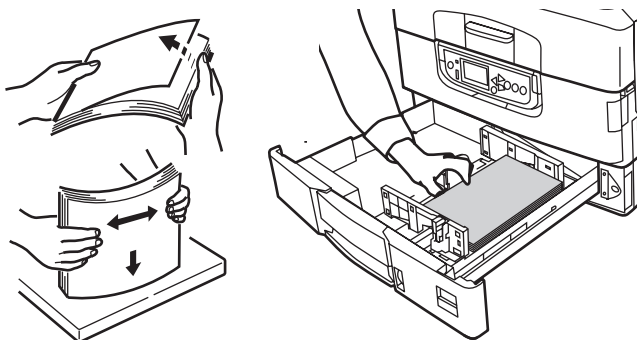
- 5 Gently close the top cover.

Load Paper

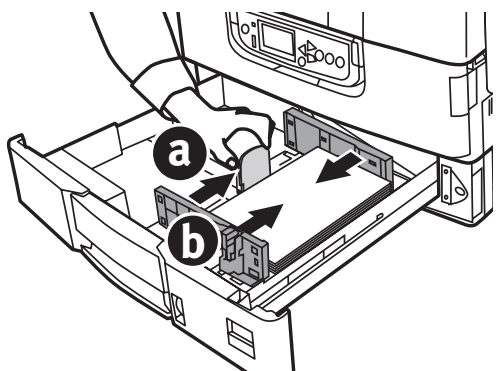
- 1 Pull out the paper tray. Remove the colored shipping retainer. Insert the appropriate media size label. This is helpful if optional trays are installed.



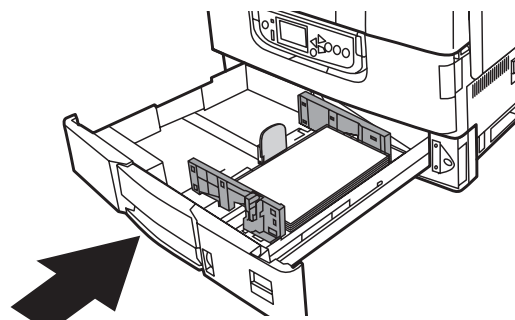
- 2 Fan the paper and place it in the tray.



- 3 Set the guides (a, b) to the paper size. Make sure the paper guides are snug against the paper.

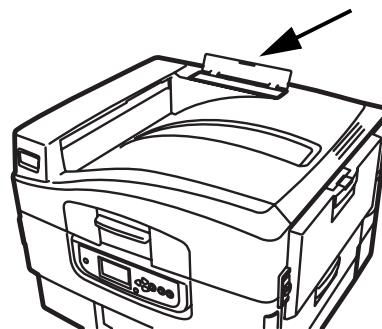


- 4 Close the paper tray.

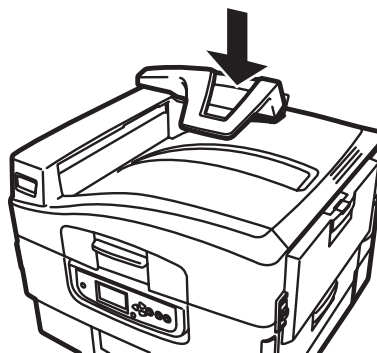


Install the Paper Catcher

- 1 Lift the cover where paper catcher is placed.



- 2 Align the tabs on catcher in notches on printer. Press down until catcher is fully seated.



Connect to Power

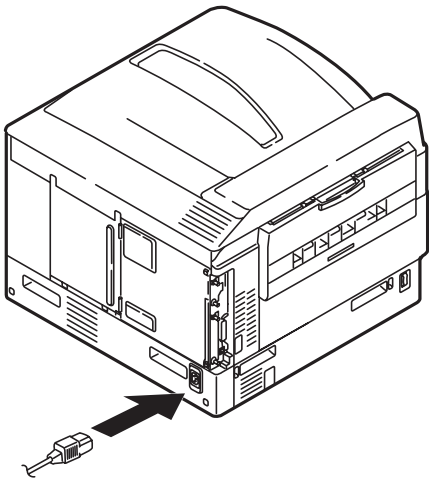
Warning!

Be sure to use the AC power cord supplied with the printer. Use of a power cord NOT supplied with this printer, or an extension cord, may result in overheating, and could be a safety hazard

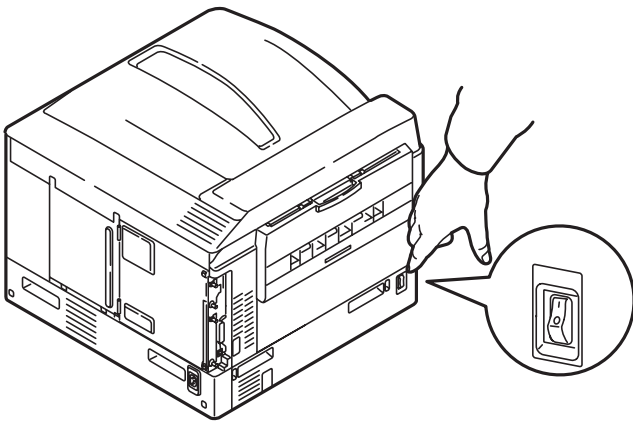
Caution

Do not connect this product to an uninterruptible power supply (UPS). For further information please contact Oki Data at 1-800-OKIDATA or www.okidata.com.

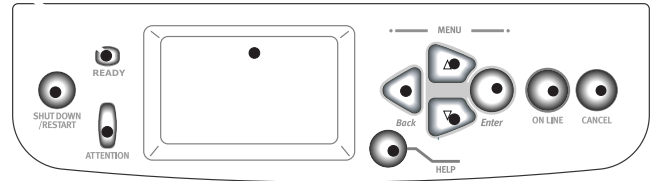
- 1 Insert the power cable.



- 2 Turn the printer ON.



Print the Demo Page



- 1 Press Menu on the control panel.
- 2 Press the down arrow to select Print Information. Press Enter.
- 3 Press the down arrow to select Demo Page. Press Enter.
- 4 Demo1 appears. Press Enter.
- 5 Execute appears. Press Enter.

Making Connections and Installing Software

Compatible Operating Systems

Your printer supports the following operating systems:

Windows

- Windows 7
- Windows Server 2008
- Windows Vista
- Windows Vista, 64-bit Edition
- Windows Server 2003
- Windows XP
- Windows XP, 64-bit editions
- Windows 2000, Windows 2000/Server

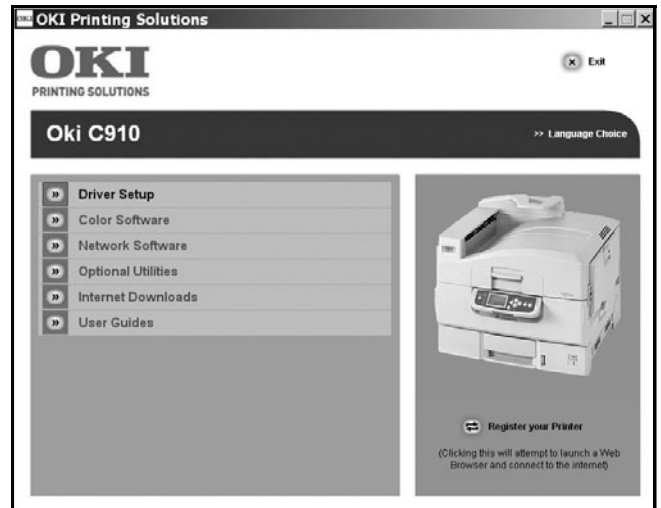
Macintosh

- Mac OS X 10.2.4 to 10.6.

Important!

For Mac OS X 10.6 IntelPC users, install Rosetta before installing the printer driver.

CD Contents



The CD supplied with your printer includes the printer drivers, utilities, and a network connection for downloading additional utilities from the Oki Data web site.

Additional information on the utilities is provided on the CD to help you make your selections.

Printer Drivers

- PS
- PCL

Additional Software on the CD

- Color Software
 - Color Swatch Utility
 - Color Correct Utility
 - PS Gamma Adjuster Utility
- Network Software
 - Network Card Setup Utility
 - Direct Network Printing Utility (LPR)
 - Network Extension Utility
- Optional Utilities
 - Change Printer Display Language
 - PDF Direct Print Utility

Downloadable Utilities

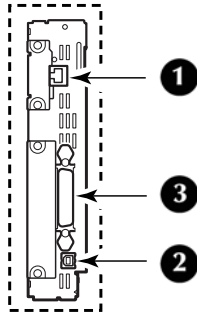
- Print Supervision Utility
- Storage Device Manager Utility
- Print Job Accounting Utility
- Profile Assistant Utility

Available Interfaces

Note

Cables are not supplied with your printer.

Your printer has three interfaces:



- 1** Ethernet
 - For network cable connection of PCs and/or Macs
 - 10Base-T and 100Base-TX
- 2** USB
 - For direct connection to a PC or Mac.
 - Requires a cable conforming to USB version 2.0 or above.
- 3** Parallel (Windows only)
 - For direct connection to a PC.
 - Requires a bi-directional parallel cable (compatible with IEEE-1284)

Installation Procedures

Windows

Network Installation, see below.

USB Installation, see page 15.

Parallel Port Installation, see page 15.

Macintosh

Network installation, see page 16.

USB Installation, see page 17.

Windows Network Installation

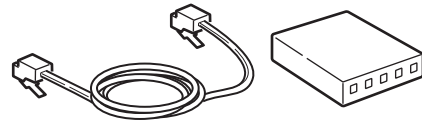
Make the Network Connection

Important!

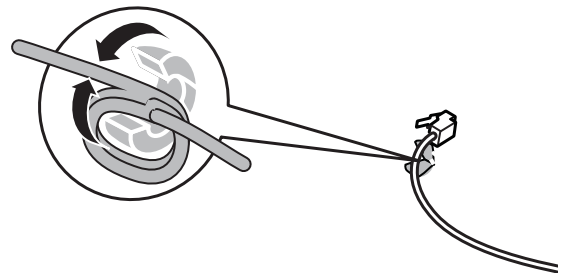
In order to reduce electromagnetic interference—"noise" that interferes with TVs or other appliances—you must install the included ferrite core on the network cable.

Note

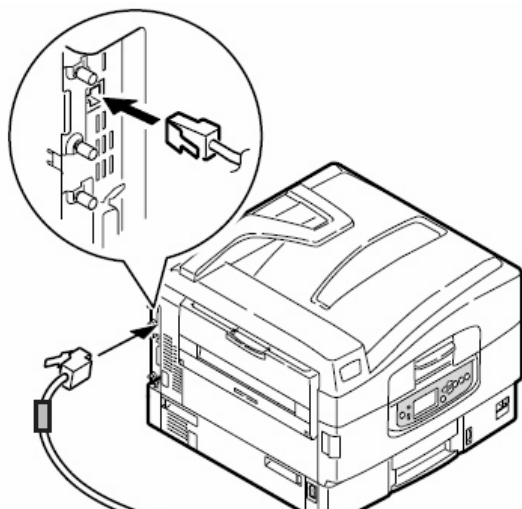
The Ethernet cable and hub are not included with your printer.



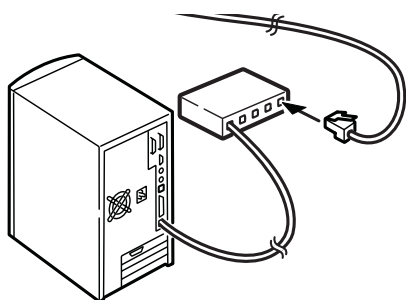
- 1** Turn off the printer.
- 2** Turn off the computer.
- 3** Loop the cable as shown and place the ferrite core supplied with the printer about 1 inch (25 mm) from the connector on the printer end.



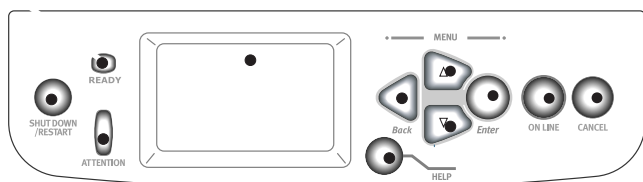
- 4 Connect the ferrite core end of the Ethernet cable to the printer.



- 5 Connect the other end of the Ethernet cable to a suitable hub.



Print the Network Information Page

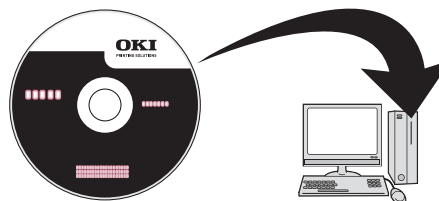


The Network Information page provides the information you need to install software and to set up the network.

- 1 Make sure the printer is turned on.
- 2 Press Menu on the control panel.
- 3 Press the down arrow to select Print Information. Press Enter.
- 4 Press the down arrow to select Network. Press Enter.
- 5 Execute appears on the display. Press Enter.

Install the Driver(s) and Utilities

- 1 Make sure the printer is off.
- 2 Insert the CD supplied with the printer in the CD-ROM drive. The CD will autorun. (If it doesn't, go to the CD's main directory and double click [setup.exe].)

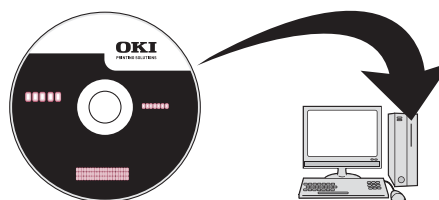


- 3 Select your language.
- 4 Accept the license agreement.
- 5 Click [Driver Setup].
- 6 Click [Install Driver].
- 7 Select network printer. Click [Next].
- 8 When prompted, select the printer emulation(s) you wish to install (PS, PCL).
- 9 Follow the on-screen instructions.

Install the User's Guide

If you wish to install the User's Guide pdf on PCs connected to the printer:

- 1 Insert the CD supplied with the printer in the PC's CD-ROM drive, and wait for it to AutoRun. (If it doesn't, go to the CD's main directory and double click [setup.exe].)

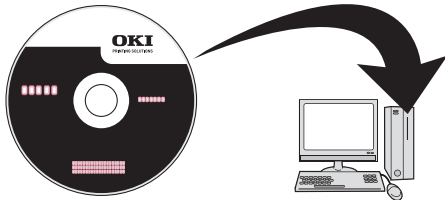


- 2 Select your language and accept the license agreement.
- 3 Click [User Guides].
- 4 Click [Install User Guide] and follow the on-screen instructions.

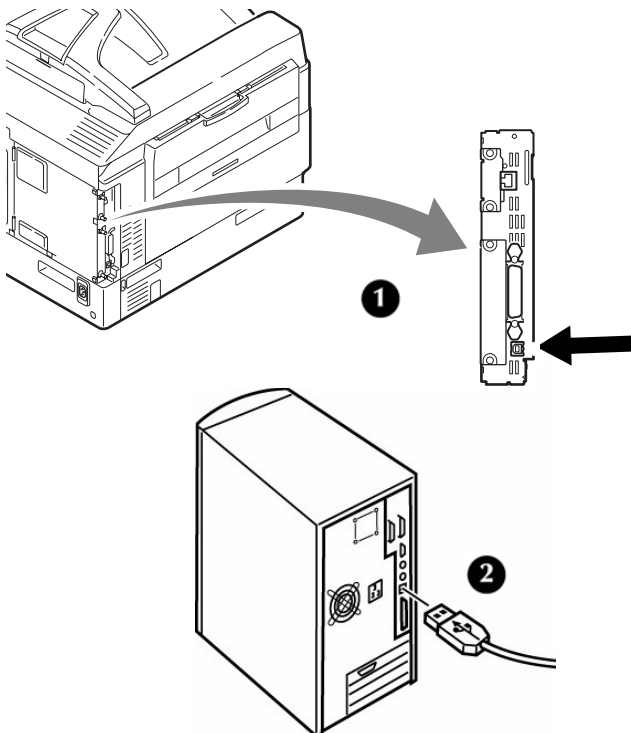
Windows USB Installation

Install the Driver(s) and Utilities

- 1 Make sure the printer is off.
- 2 Insert the CD supplied with the printer in the CD-ROM drive. The CD will AutoRun. (If it doesn't, Click Start > Run and browse to the CD's main directory and double click [setup.exe], then click [OK].)



- 3 Select your language.
- 4 Accept the license agreement.
- 5 Click [Driver Setup].
- 6 Click [Install Driver].
- 7 Select local printer.
- 8 Select the USB port. Click [Next]
- 9 Select [OKI C910], then select the emulation(s) to install (PCL, PS).
- 10 Follow the on-screen instructions.
- 11 When prompted, connect a USB cable to the printer (1) and the PC (2).



- 12 Turn the printer on.

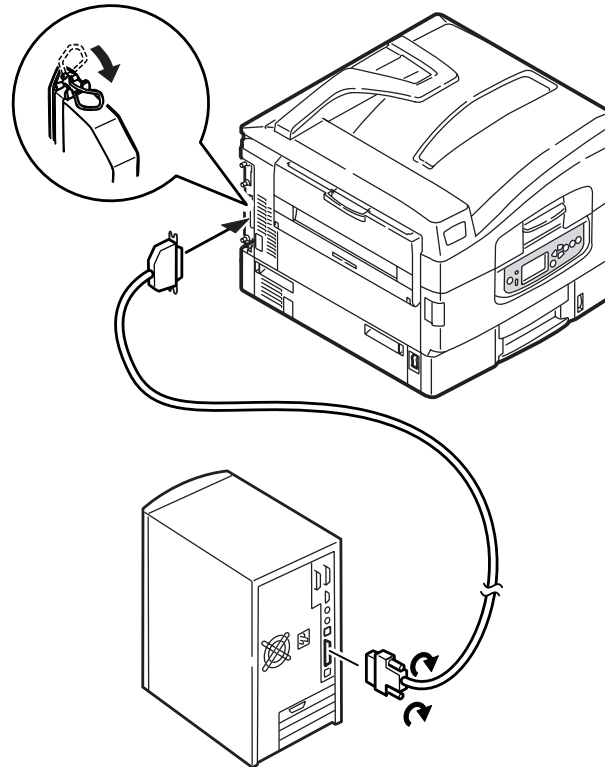
Install the User's Guide

If you also wish to install the User's Guide pdf:

- 1 With the CD still in the CD-ROM drive, click [User Guides].
- 2 Click [Install User Guide] and follow the on-screen instructions.

Windows Parallel Interface Installation

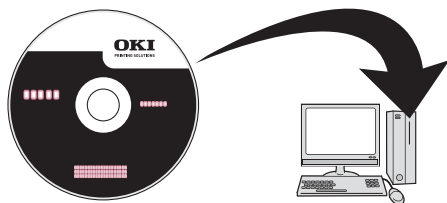
- 1 Turn off the printer and the computer.
- 2 Connect a parallel cable between the printer and the computer.



- 3 Turn the printer and computer on.

Install the Driver(s) and Utilities

- 1 Make sure the printer is off.
- 2 Insert the CD supplied with the printer in the CD-ROM drive. The CD will AutoRun. (If it doesn't, go to the CD's main directory and double click [setup.exe].)



- 3 Select your language.
- 4 Accept the license agreement.
- 5 Click [Driver Setup].
- 6 Click [Install Driver].
- 7 Select local printer.
- 8 Select the LPT1: port. Click Next.
- 9 Select [OKI C910], then select the emulation(s) to install (PCL, PS).
- 10 Follow the on-screen instructions.

Install the User's Guide

If you also wish to install the User's Guide pdf:

- 1 With the CD still in the CD-ROM drive, click [User Guides].
- 2 Click [Install User Guide] and follow the on-screen instructions.

Macintosh Network Installation

Make the Network Connection

Important!

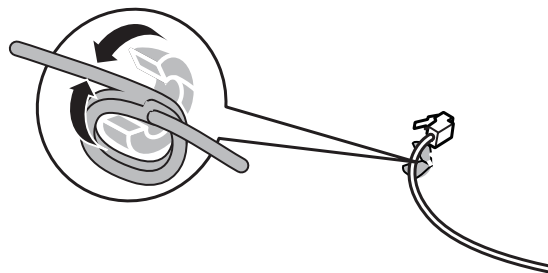
In order to reduce electromagnetic interference—"noise" that interferes with TVs or other appliances—you must install the included ferrite core on the network cable.

Note

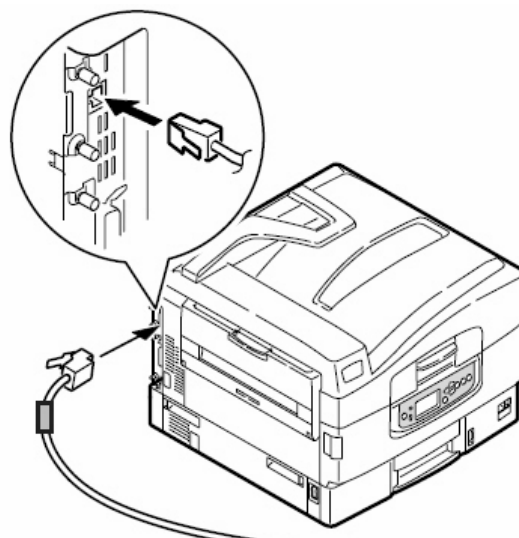
The Ethernet cable and hub are not included with your printer.



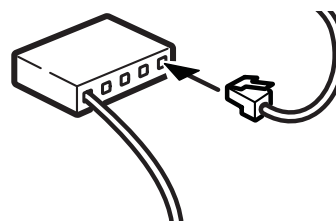
- 1 Turn off the printer and the computer.
- 2 Loop the cable as shown and place the ferrite core supplied with the printer about 1 inch (25 mm) from the connector on the printer end.



- 3 Connect the end of the Ethernet cable with the ferrite core to the printer.



- 4 Connect the other end of the cable to a suitable hub.



Install the Printer Driver(s) and Utilities

- 1 Turn on the printer, then turn on the computer.
- 2 Place the CD supplied with the printer in the CD-ROM drive.



- 3 Double-click the CD icon that appears on the desktop.
- 4 Open the MAC folder.
- 5 Double-click the Mac C910 Installer icon.
The installer displays with the driver pre-selected.
- 6 Select any utilities you want to install.
- 7 Click [Install].

Add the Printer

- 1 Run the Print Center or Print Setup Utility. Click Add.
- 2 Click [More Printers].
- 3 Select [OKI TCP/IP] or [Rendezvous/Bonjour] from the drop-down menu.
- 4 Enter the printer's IP address.
- 5 Select the printer model. Click [Add].
- 6 Quit the Print Center or Print Setup Utility.

Install the User's Guide

- 1 With the CD in your CD-ROM drive, double-click the CD icon on the desktop.
- 2 Scroll to the C910_UG_ae.pdf file in the root directory.
 - To load: drag the .pdf file to the desktop
 - To view: double-click it.

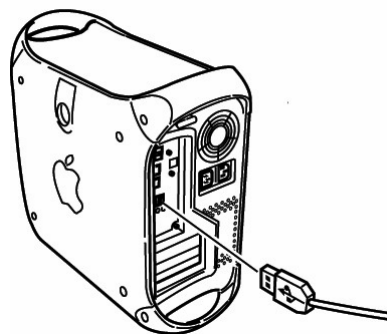
Macintosh USB Installation

Connect the USB Cable

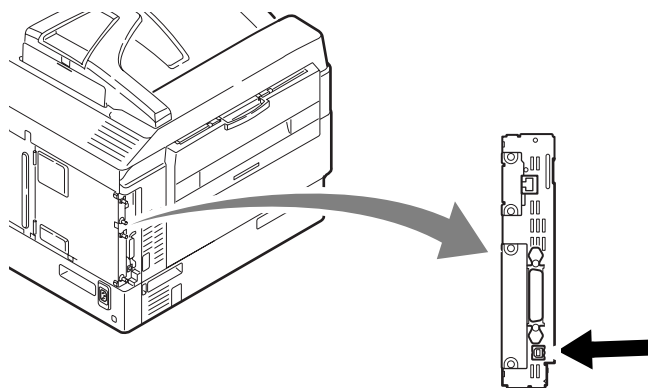
Note

Printer operation is not assured if another USB compatible device is connected concurrently with it.

- 1 Turn the printer off.
- 2 Connect the USB cable to the USB port on the computer.



- 3 Connect the other end of the USB cable to the USB port on the printer.



Install the Printer Driver(s) and Utilities

- 1 Turn on the printer, then turn on the computer.

- 2 Place the CD supplied with the printer in the CD-ROM drive.



- 3 Double-click the CD icon that appears on the desktop.
- 4 Open the MAC folder.
- 5 Double-click the Mac C910 Installer icon.
The installer displays with the driver pre-selected.
- 6 Select any utilities you want to install.
- 7 Click [Install].

Add the Printer

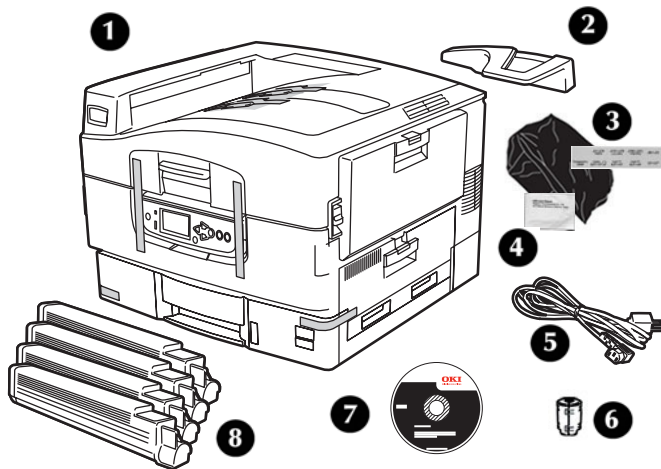
- 1 Run the Print Center or Print Setup Utility.
- 2 Click [Add].
- 3 Click [More Printers].
- 4 Select OKI USB from the drop-down menu.
- 5 Select the printer model. Click [Add].
- 6 Quit the Print Center or Print Setup Utility.

Install the User's Guide

- 1 With the CD in your CD-ROM drive, double-click the CD icon on the desktop.
- 2 Scroll to the C910_UG_ae.pdf file in the root directory.
 - To load: drag the .pdf file to the desktop
 - To view: double-click it.

Installation de matériel

Contenu de l'emballage



- 1 Imprimante
- 2 cale du paper
- 3 Sacs pare-lumière, bac à papier d'étiquette de rame
- 4 Tampon de nettoyage de lentille de DEL
- 5 Cordon d'alimentation
- 6 Ferrite Core
- 7 CD
- 8 Cartucho de toner
- 9 Documentation (non représenté)

Remarque

Les câbles Ethernet et USB ne sont pas compris avec votre appareil et doivent être achetés séparément.

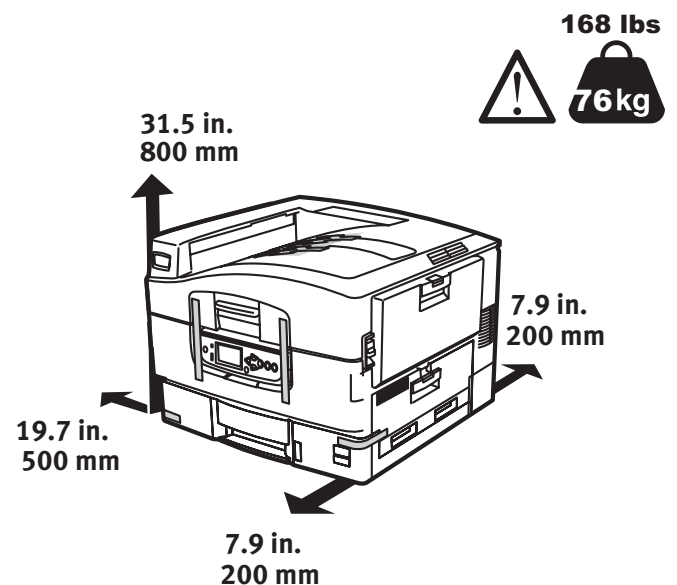
Nous vous conseillons de conserver le matériel d'emballage, nécessaire au transport de l'appareil.

Choisir un emplacement

Exigences environnementales

- Plage de températures : 10 °C à 32 °C (50 °F à 90 °F)
- Humidité : HR de 20 % à 80 % (humidité relative)
Si vous installez votre appareil dans un endroit où le taux d'humidité est inférieur à 30 % d'HR, utilisez un humidificateur ou un tapis antistatique.

Espace requis



Alimentation

- 110-127 V c.a, 60 Hz ou 230 V c.a, 50 Hz
- 1500 watts maximum.

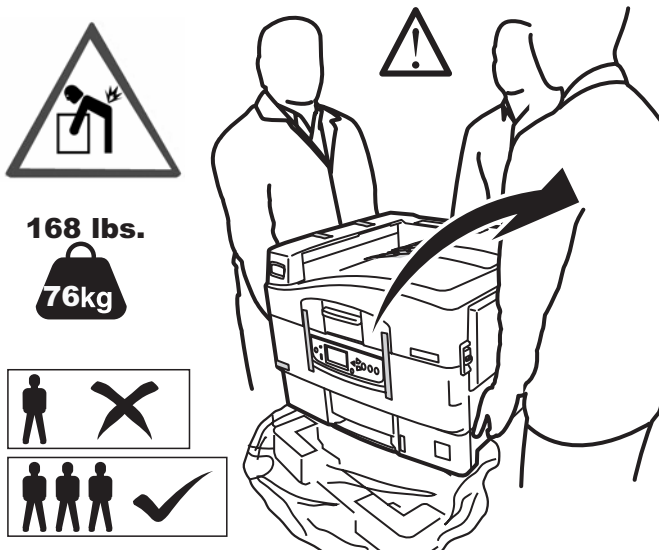
Important!

Ne jamais brancher ce produit sur un bloc d'alimentation sans interruption (ASI). Si la source de courant est instable, utilisez un régulateur de tension.

Déballer l'appareil

Important!

Un minimum de trois personnes est nécessaire pour lever l'appareil en toute sécurité.

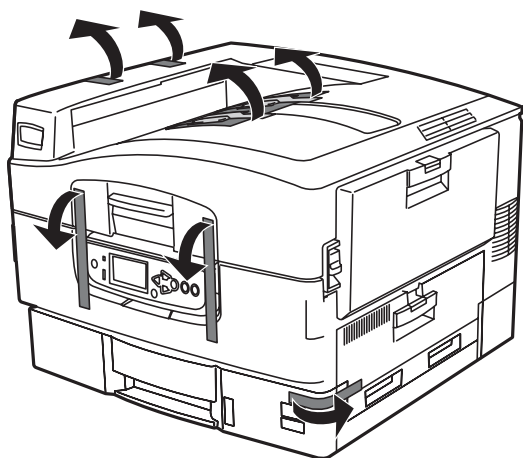


Remarque

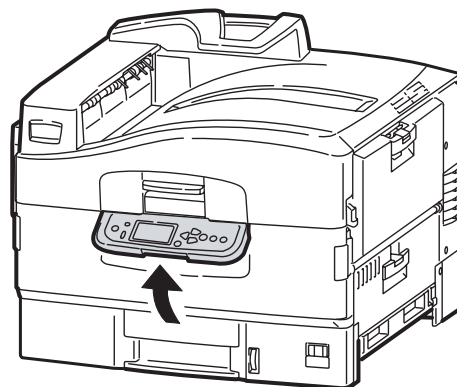
Les illustrations ci-dessous sont représentatives. Le véritable matériel, ruban adhésif ou emballage, peut quelque peu différer de celui indiqué sur les illustrations.

Conservez le matériel d'emballage, nécessaire au transport de l'appareil.

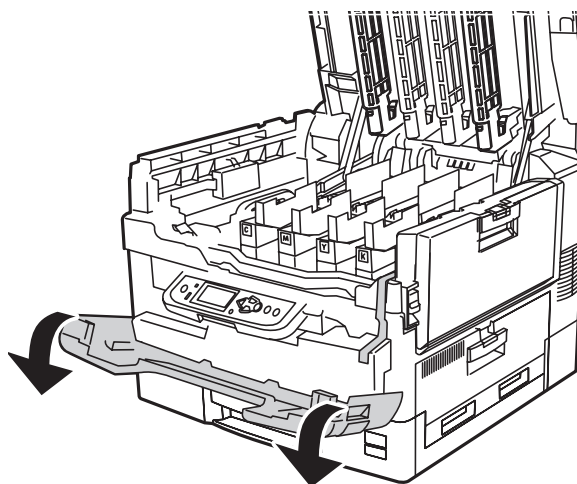
- 1 Soulevez l'imprimante et placez-la à l'endroit choisi.
- 2 Retirez les sangles de manutention.



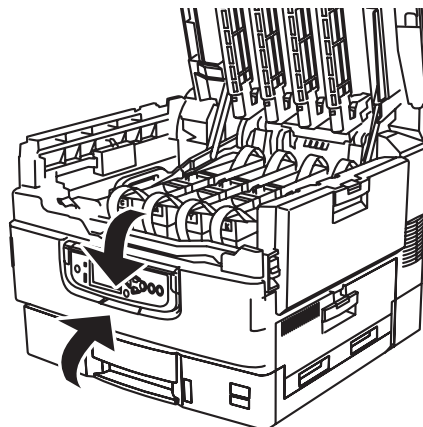
- 3 Levez le tableau de l'opérateur.



- 4 Ouvrez le capot avant, retirez les sangles.

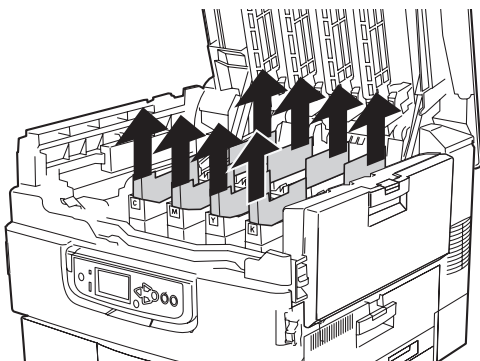


- 5 Fermez le capot avant et réglez le panneau de commande.

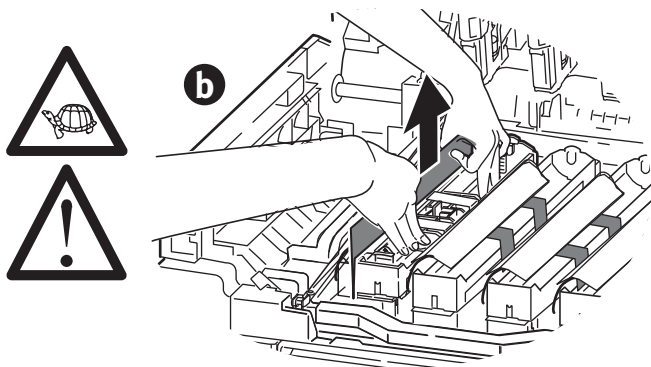


Préparation des tambours d'impression

- 1 Retirez couleur du tambour d'impression emballage/matériel de'emballage.



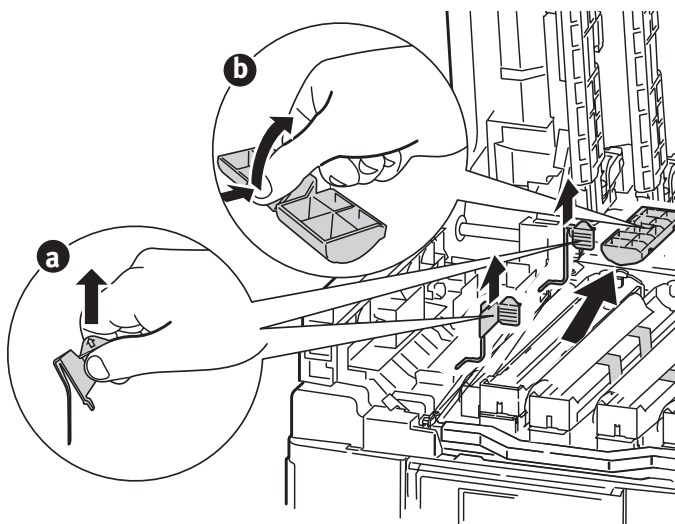
- 2 Enlevez le bande adhesive . Retirez la feuille de protection (b).



- 3 Retirez les verrous de couleur (a). Enlevez le ruban adhésif puis les sceaux de couleur (b).

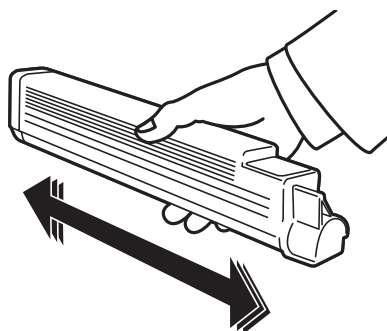
Remarque

Veillez à bien enlever tout le ruban des cartouches du tambour d'image.

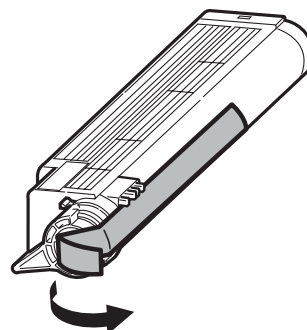


Installation de la cartouche de toner

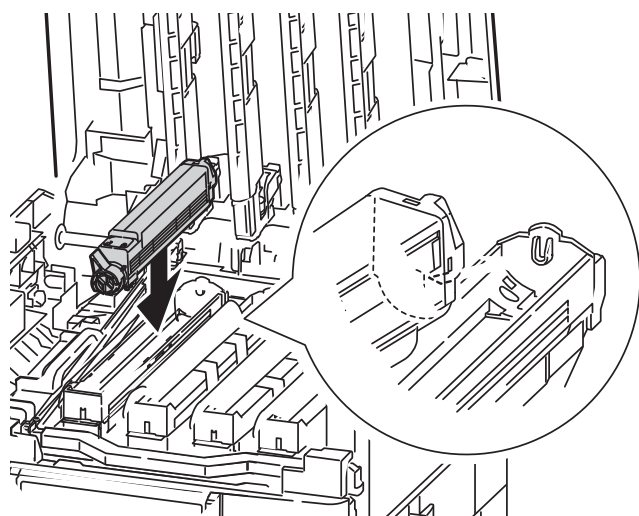
- 1 Secouez la cartouche de toner d'un côté à l'autre afin de répartir le toner.



- 2 Retirez le ruban adhésif d'étanchéitré de la cartouche de toner.



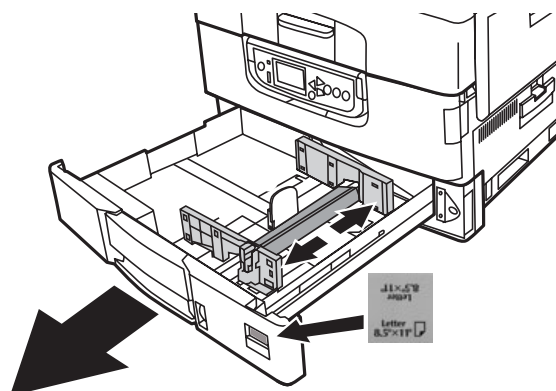
- 3 Alignez la coche à l'extrémité de la cartouche de toner avec la languette (a) du tambour d'image, puis abaissez la cartouche de toner dans le tambour d'image. Poussez pour vous assurer qu'elle est bien assise. Enclenchez la cartouche de toner avec le levier de couleur.



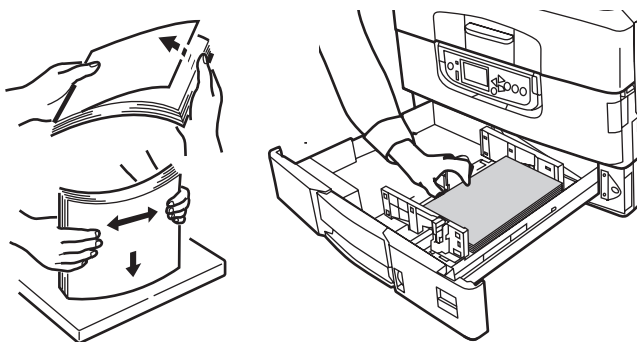
- 4 Répétez le processus pour chaque les tambours cartouches de toner..
- 5 Refermez le capot supérieur.

Charger le papier

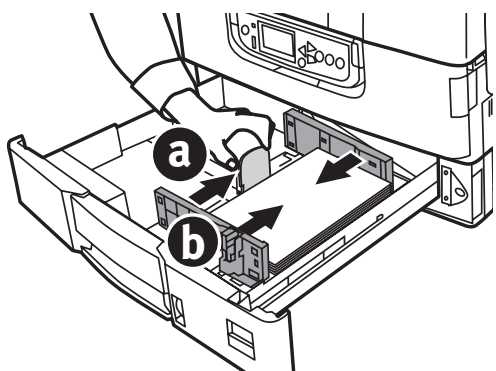
- 1 Sortez le bac à papier . Retirez l'agrafe de transport de couleur . Retirez l'agrafe de transport de couleur. Cela vous sera utile si des bacs de papier en option sont installés.



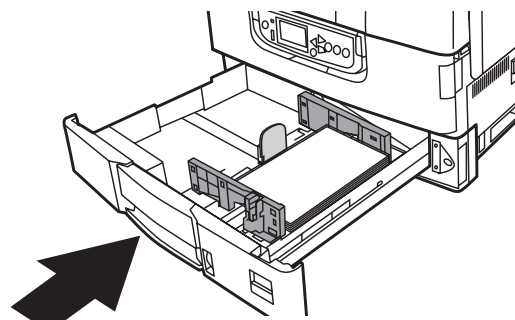
- 2 Ventilez le papier. Chargez du papier dans les bacs.



- 3 Réglez les guides (a, b) au format du papier. Veillez à ce que les guides papier sont reposent contre le papier.

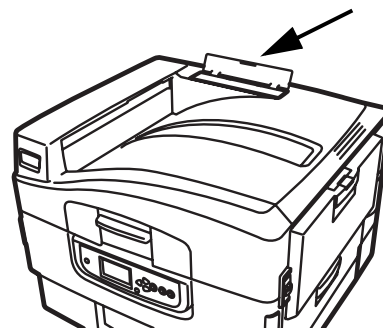


- 4 Fermez le bac de papier.

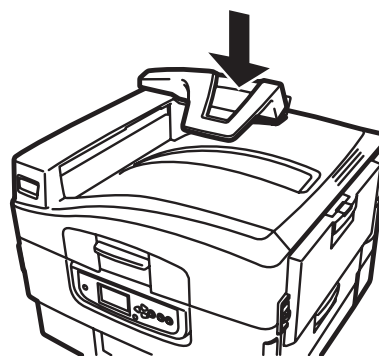


Installer la cale du paper.

- 1 Soulevez le capot où le déflecteur à papier est situé.



- 2 Alignez les languettes du déflecteur avec les coches dans l'imprimante. Poussez sur le déflecteur jusqu'à ce qu'il soit bien assis.



Alimentation

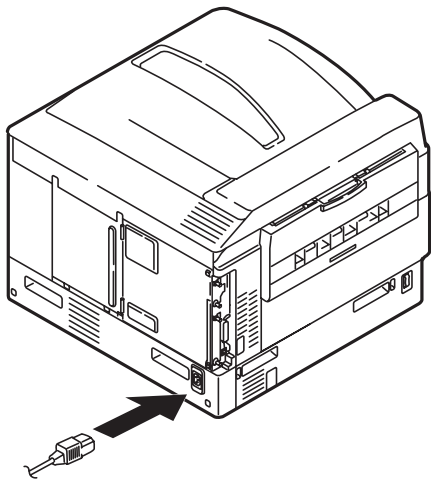
Avertissement!

Utilisez le cordon d'alimentation fourni avec l'imprimante. L'utilisation d'un cordon autre que celui fourni avec le produit, ou d'une rallonge, peut entraîner une surchauffe de l'appareil et constituer un danger

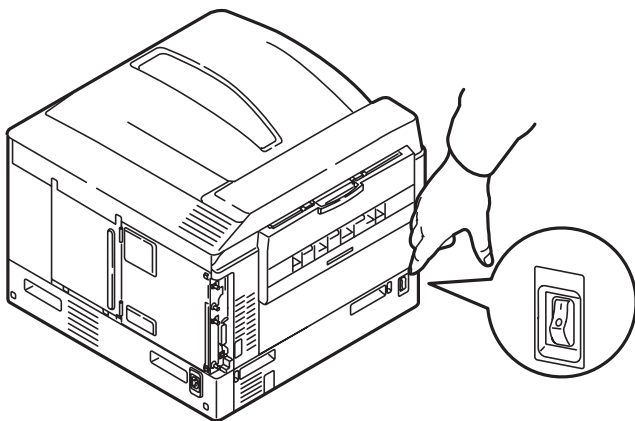
Attention

Do not connect this product to an uninterruptible power supply (UPS). For further information please contact Oki Data at 1-800-OKIDATA or www.okidata.com.

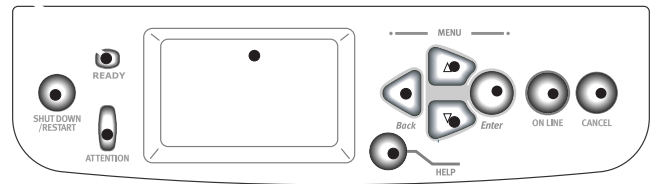
- 1 Introduisez le cordon d'alimentation.



- 2 Allumez l'imprimante.



Impression d'une page de démonstration



- 1 Appuyez sur Menu sur le panneau de commande.
- 2 Appuyez sur la flèche vers le bas pour sélectionner Print Information [Infos d'impression]. Appuyez sur Enter [Entrée]
- 3 Appuyez sur la flèche vers le bas pour sélectionner Demo Page [Page démo]. Appuyez sur Enter [Entrée].
- 4 Demo1 s'affiche. Appuyez sur Enter [Entrée].
- 5 Exécute [Exécuter] s'affiche. Appuyez sur Enter [Entrée].

Établir des connexions et installer des pilotes d'imprimante

Systemes d'exploitation compatibles

Votre appareil prend en charge les systèmes d'exploitation suivants :

Windows

- Windows 7
- Windows Server 2008
- Windows Vista
- Windows Vista, édition 64-bit
- Windows Server 2003
- Windows XP
- Windows XP, édition x64
- Windows 2000, Windows 2000/Server

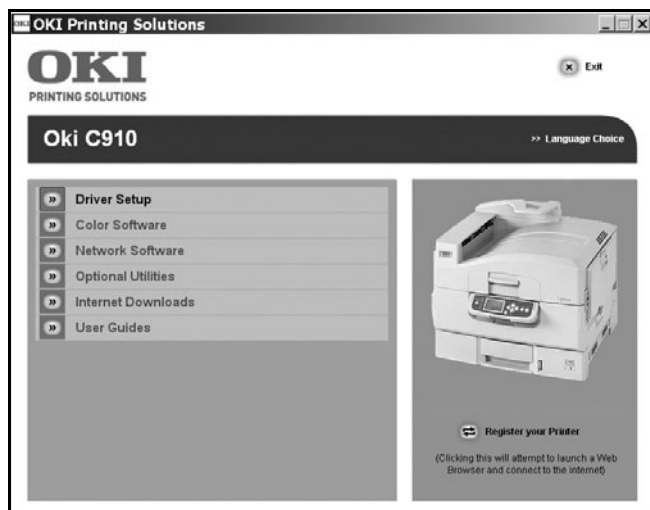
Macintosh

- Mac OS X 10.2.4 à 10.6.

Important!

Pour les utilisateurs de Mac OS X 10.6 IntelPC, installer Rosetta avant d'installer le pilote de l'imprimante.

Contenu du CD



Le CD fourni avec votre imprimante comprend les pilotes d'imprimante, des utilitaires et une connexion réseau pour le téléchargement d'autres utilitaires du site Web d'Oki Data.

Des renseignements supplémentaires au sujet des utilitaires sont fournis sur le CD afin de vous aider à faire votre choix.

Pilotes d'imprimante

- PS
- PCL

Logiciels supplémentaires dans le CD

- Couleur du logiciel
 - Color Swatch Utility (Utilitaire Nuancier de couleurs)
 - Color Correct Utility (Utilitaire de correction des couleurs)
 - PS Gamma Adjuster Utility (Utilitaire de correcteur gamma PS)
- Logiciels réseau
 - Network Card Setup Utility (utilitaire de configuration de carte réseau)
 - LPR Utility (utilitaire LPR)
 - Network Extension Utility (utilitaire de extension de réseau)
- Utilities facultatives
 - Changer la Printer Display Language (la langue d'exposition d'imprimante)
 - Installer PDF Direct Print (Impression directe des fichiers PDF)

Internet Télécharge

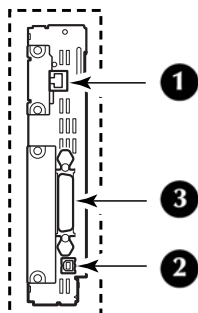
- Print Supervision (Suivi des impressions)
- Storage Device Manager (Gestionnaire des unités de mémoire)
- Print Job Accounting (Comptabilisation des travaux d'impression)
- Profile Assistant (Assistant de profils)

Interfaces Disponibles

Remarque

Les câbles d'interface ne sont pas fournis avec l'imprimante.

Votre imprimante est dotée de trois interfaces :



- 1** Ethernet
 - Pour la connexion par câble à un réseau
 - 10Base-T et 100Base-TX
- 2** USB
 - Pour la connexion directe à un PC ou Mac.
 - Ce port requiert un câble conforme à la version 2.0 de l'interface USB ou une version supérieure..
- 3** Parallèle (Windows uniquement)
 - Pour la connexion directe à un PC.
 - Requier un câble parallèle bidirectionnel (conforme IEEE-1284).

Procédures d'installation

Windows

Installation réseau, voir ci-dessous.

Installation USB, consultez la page 27.

Installation pour le port parallèle, consultez la page 27.

Macintosh

Installation réseau, consultez la page 28.

Installation USB, consultez la page 30.

Installation réseau Windows

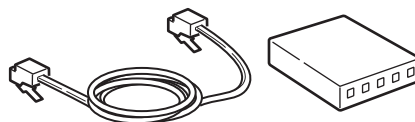
Connexion réseau

Important!

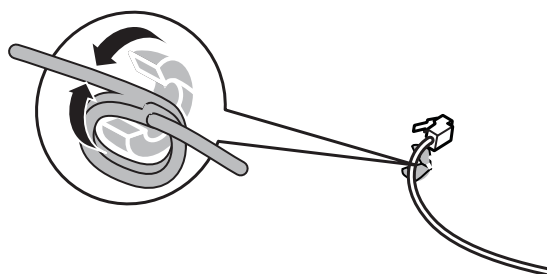
Pour réduire le brouillage électromagnétique—le « bruit » qui brouille la réception des téléviseurs ou autres appareils—placez le tore magnétique joint sur le câble de réseau connecté à votre imprimante.

Remarque

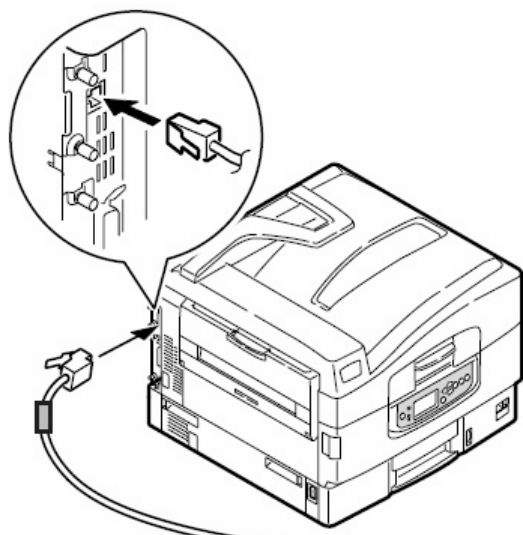
Le câble Ethernet et le concentrateur ne sont pas fournis avec votre appareil.



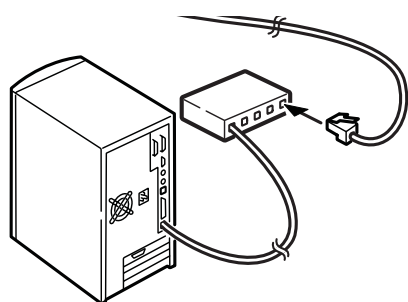
- 1** Éteignez l'imprimante.
- 2** Éteignez l'ordinateur.
- 3** Faites une boucle avec le câble comme illustré et placez le filtre à environ 25 mm (1 po) du connecteur raccordé à l'imprimante..



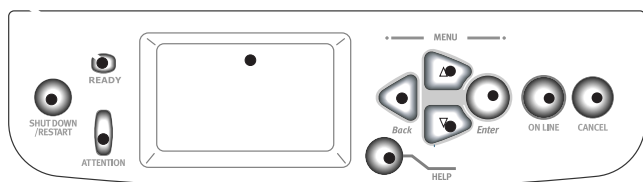
- Connectez une extrémité du tore magnétique au câble Ethernet vers l'imprimante.



- Branchez l'autre extrémité du câble Ethernet à un routeur adéquat.



Imprimez la page Network Information [Infos sur le réseau]



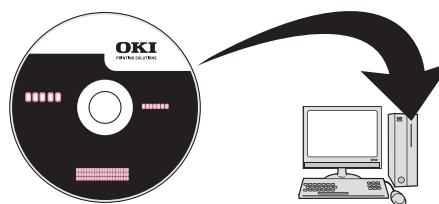
La page Network Information (Information réseau) vous donne les renseignements nécessaires pour installer le logiciel et configurer le réseau.

- Assurez-vous que l'imprimante est en marche.
- Appuyez sur Menu sur le panneau de commande.
- Appuyez sur la flèche vers le bas pour sélectionner Print Information [Infos d'impression]. Appuyez sur Enter [Entrée].

- Appuyez sur la flèche vers le bas pour sélectionner Network [Réseau]. Appuyez sur Enter [Entrée].
- Execute [Exécuter] s'affiche. Appuyez sur Enter [Entrée].

Installez les pilotes d'imprimante et les utilitaires

- Veillez à ce que l'imprimante soit éteinte.
- Insérez le CD fourni avec votre imprimante dans le lecteur de CD-ROM. Le CD est lancé automatiquement. (Si le CD n'est pas lancé automatiquement, cliquez sur [Start] (Démarrer) [Run] (Exécuter) > [Browse] (Parcourir). Accédez à l'unité de CD-ROM et double-cliquez sur [setup.exe] puis cliquez sur [OK].)

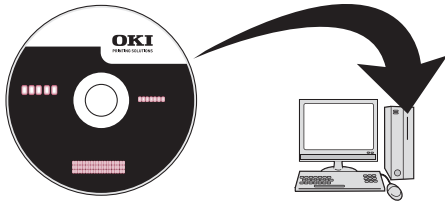


- Sélectionnez la langue d'installation.
- Acceptez le contrat de licence.
- Cliquez sur [Driver Setup] (Paramétrage du pilote).
- Cliquez sur [Install Driver] (Installer le pilote).
- Sélectionnez imprimante network. Cliquez sur [Next] (Suivant).
- À l'invite, sélectionnez émulation d'imprimante (PS, PCL).
- Observez les directives à l'écran.

Installer le Guide de l'utilisateur

Si vous souhaitez copier le fichier pdf du Guide d'utilisation sur les ordinateurs branchés à l'imprimante :

- 10 Insérez le CD fourni avec votre imprimante dans le lecteur de CD-ROM. Le CD est lancé automatiquement. (Si le CD n'est pas lancé automatiquement, cliquez sur [Start] (Démarrer) [Run] (Exécuter) > [Browse] (Parcourir). Accédez à l'unité de CD-ROM et double-cliquez sur [setup,.exe] puis cliquez sur [OK].)

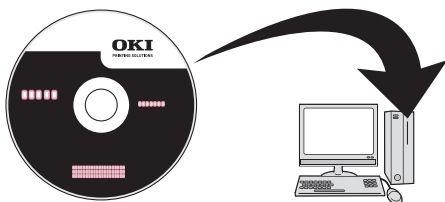


- 11 Sélectionnez la langue d'installation et acceptez le contrat de license.
- 12 Cliquez sur [User Guides] (Guides de l'Utilisateur).
- 13 Cliquez sur [Install User Guide] (Installer Guide de l'Utilisateur) et observez les directives à l'écran.

Installation USB Windows

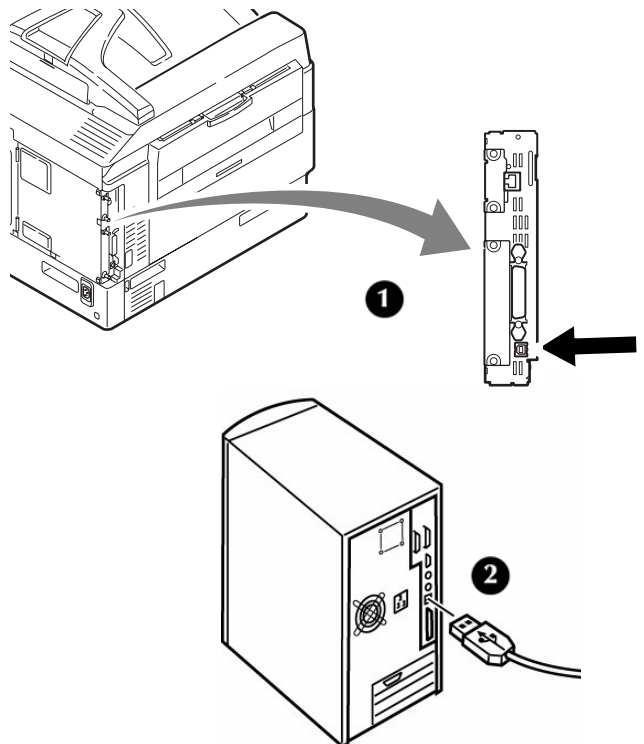
Installez les pilotes d'imprimante et les utilitaires

- 1 Veillez à ce que l'imprimante soit éteinte.
- 2 Insérez le CD fourni avec votre imprimante dans le lecteur de CD-ROM. Le CD est lancé automatiquement. (Si le CD n'est pas lancé automatiquement, cliquez sur [Start] (Démarrer) [Run] (Exécuter) > [Browse] (Parcourir). Accédez à l'unité de CD-ROM et double-cliquez sur [setup,.exe] puis cliquez sur [OK].)



- 3 Sélectionnez la langue d'installation.
- 4 Acceptez le contrat de license.
- 5 Cliquez sur [Driver Setup] (Paramétrage du pilote).
- 6 Cliquez sur [Install Driver] [Installer le pilote].
- 7 Cliquez sur imprimante locale.

- 8 Sélectionnez le port USB. Cliquez sur [Next] [Suivant].
- 9 Sélectionnez [OKI C910], puis sélectionnez émulation d'imprimante (PS ou PCL).
- 10 Observez les directives à l'écran.
- 11 Lorsque vous y êtes invité, connecter le câble USB à l'imprimante (1) et dans l'ordinateur (2).



- 12 Allumez l'imprimante.

Installer le Guide de l'utilisateur

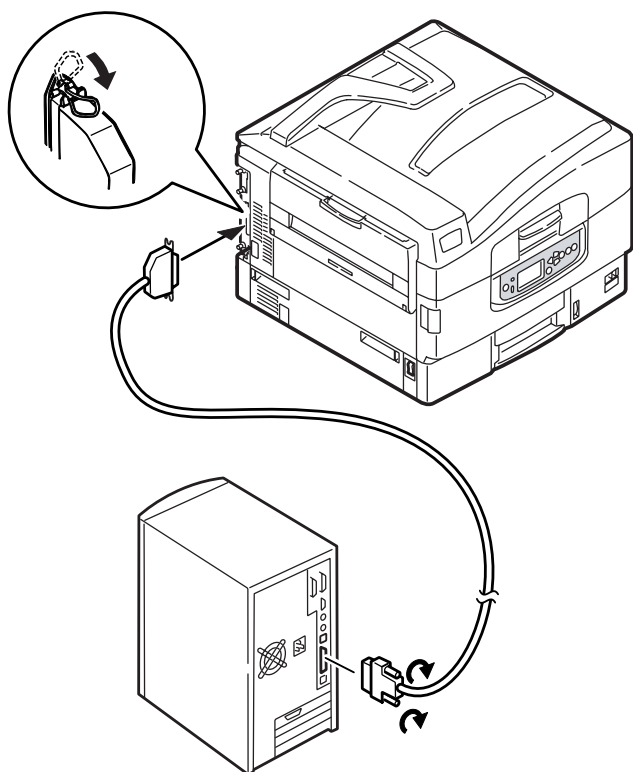
Si vous souhaitez également installer le pdf du Guide d'utilisation :

- 1 Après avoir placé le CD dans l'unité de CD-ROM, cliquez sur [User Guides] (Guide de l'Utilisateur).
- 2 Cliquez sur [Install User Guide] (installer Guide de l'Utilisateur) et observez les directives à l'écran.

Installation port interface parallèle Windows

- 1 Éteignez l'imprimante et l'ordinateur..

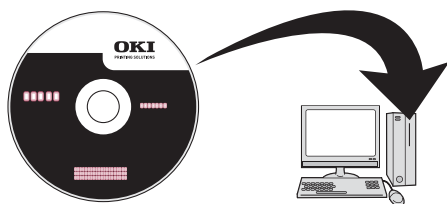
- 2 Connectez un câble parallèle pour relier l'imprimante à l'ordinateur.



- 3 Allumez l'imprimante et l'ordinateur.

Installez les pilotes d'imprimante et les utilitaires

- 1 Veillez à ce que l'imprimante soit éteinte.
- 2 Insérez le CD fourni avec votre imprimante dans le lecteur de CD-ROM. Le CD est lancé automatiquement. (Si le CD n'est pas lancé automatiquement, cliquez sur [Start] (Démarrer) [Run] (Exécuter) > [Browse] (Parcourir). Accédez à l'unité de CD-ROM et double-cliquez sur [setup,.exe] puis cliquez sur [OK].)



- 3 Sélectionnez la langue d'installation.
- 4 Acceptez le contrat de licence.
- 5 Cliquez sur [Driver Setup] (Paramétrage du pilote).
- 6 Cliquez sur [Install Driver] (Installer le pilote).
- 7 Cliquez sur imprimante locale.

- 8 Sélectionnez le port LPT1:. Cliquez sur [Next] (Suivant).
- 9 Sélectionnez [OKI C910], puis sélectionnez émulation d'imprimante (PS, PCL).
- 10 Observez les directives à l'écran.

Installer le Guide de l'utilisateur

Si vous souhaitez également installer le pdf du Guide d'utilisation :

- 1 Après avoir placé le CD dans l'unité de CD-ROM, cliquez sur [User Guides] (Guide de l'Utilisateur).
- 2 Cliquez sur [Install User Guide] (installer Guide de l'Utilisateur) et observez les directives à l'écran.

Installation réseau Macintosh

Connexion réseau

Important!

Pour réduire le brouillage électromagnétique—le « bruit » qui brouille la réception des téléviseurs ou autres appareils—placez le tore magnétique joint sur le câble de réseau connecté à votre imprimante

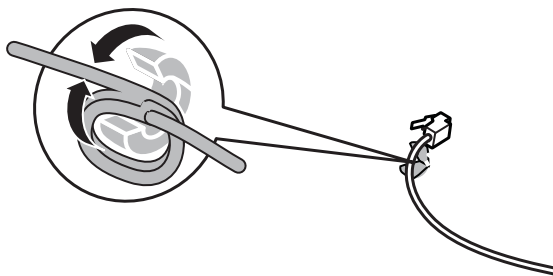
Remarque

Le câble Ethernet et le concentrateur ne sont pas fournis avec votre appareil.

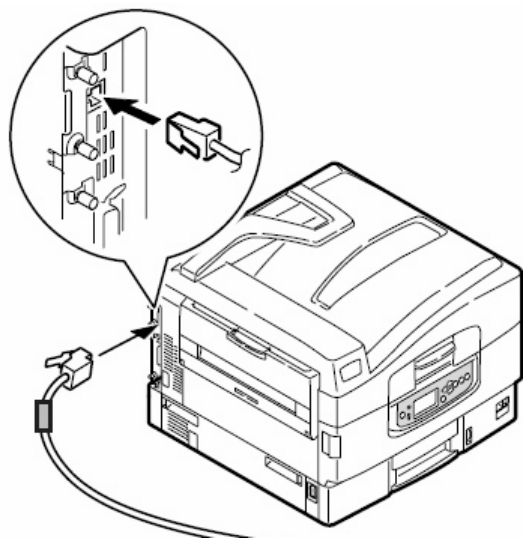


- 1 Éteignez l'imprimante et l'ordinateur.

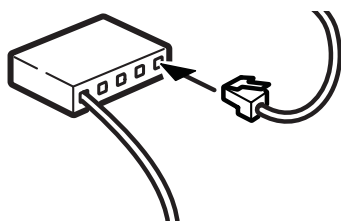
- 2 Faites une boucle avec le câble comme illustré et placez le filtre à environ 25 mm (1 po) du connecteur raccordé à l'imprimante.



- 3 Connectez une extrémité du tore magnétique au câble Ethernet vers l'imprimante.



- 4 Branchez l'autre extrémité du câble Ethernet à un routeur adéquat.



Installez les pilotes d'imprimante et les utilitaires

- 1 Allumez l'imprimante, puis allumez l'ordinateur.

- 2 Placez le CD fourni avec l'imprimante dans l'unité de CD-ROM.



- 3 Double-cliquez sur l'icône de CD qui est affiché sur le Bureau.
- 4 Ouvrez le dossier MAC.
- 5 Double-cliquez sur l'icône MAC Installateur C910.
L'installateur affiche le pilote présélectionné.
- 6 Sélectionnez tous les utilitaires que vous voulez installer.
- 7 Cliquez sur [Install] (Installer).

Ajout de l'imprimante

- 1 Exécutez l'utilitaire Print Center (Centre d'impression) ou Print Setup Utility (Configuration de l'imprimante). Cliquez sur [Add] (Ajouter).
- 2 Cliquez sur [More Printers] (plus imprimante).
- 3 Sélectionnez le protocole : OKI TCP/IP ou Rendezvous/Bonjour dans le menu déroulant.
- 4 Entrez l'adresse IP de l'imprimante.
- 5 Select the printer model. Cliquez sur [Add] (Ajouter).
- 6 Quitter l'utilitaire Print Center (Centre d'impression) ou Print Setup Utility (Configuration de l'imprimante).

Installer le Guide de l'utilisateur

- 1 Après avoir placé le CD dans l'unité de CD-ROM, double-cliquez sur l'icône de CD sur le Bureau.
- 2 Faites défiler jusqu'à C910_UG_cf.pdf dans le répertoire racine.
 - Pour Installer: glissez le dossier sur le Bureau pour le copier.
 - Pour Visualiser: double-cliquez sur le fichier.

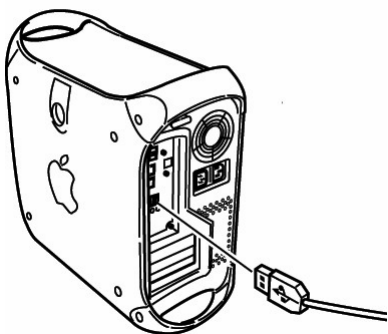
Installation USB Macintosh

Connectez le câble USB

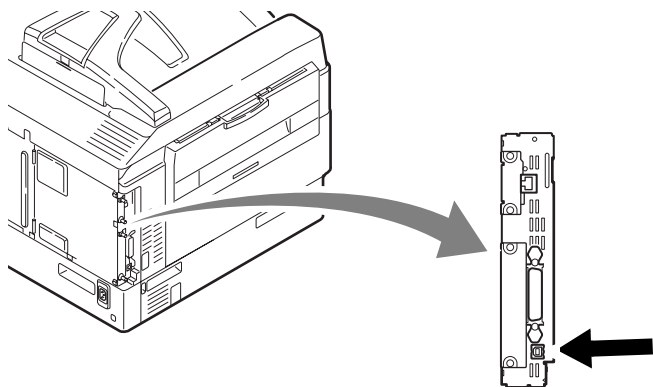
Remarque

Le fonctionnement de l'imprimante n'est pas garanti si un autre périphérique compatible USB est connecté en même temps avec l'imprimante.

- 1 Éteignez de l'imprimante.
- 2 Connectez le câble USB au port USB de l'ordinateur



3. connectez l'autre extrémité du câble USB au port USB de l'imprimante.



Installez les pilotes d'imprimante et les utilitaires

- 1 Allumez l'imprimante, puis allumez l'ordinateur.

- 2 Placez le CD fourni avec l'imprimante dans l'unité de CD-ROM.



- 3 Double-cliquez sur l'icône de CD qui est affiché sur le Bureau.
- 4 Ouvrez le dossier MAC.
- 5 Double-cliquez sur l'icône MAC Installateur C910.
L'installateur affiche le pilote présélectionné.
- 6 Sélectionnez tous les utilitaires que vous voulez installer.
- 7 Cliquez sur [Install] (Installer).

Ajout de l'imprimante

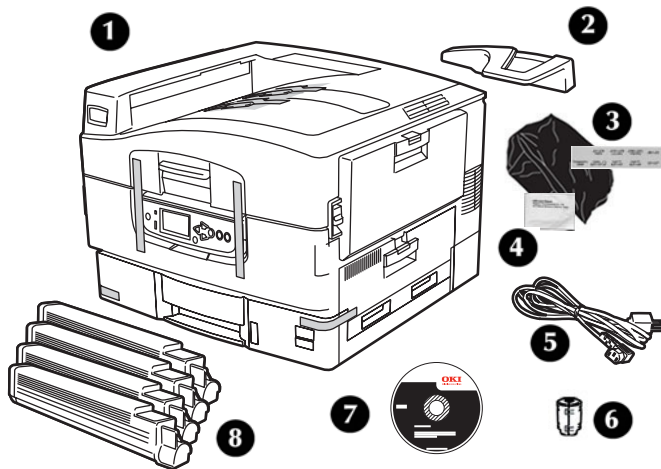
- 1 Exécutez l'utilitaire Print Center (Centre d'impression) ou Print Setup Utility (Configuration de l'imprimante).
- 2 Cliquez sur [Add] (Ajouter).
- 3 Cliquez sur [More Printers] (plus imprimantes).
- 4 Sélectionnez OKI USB dans le menu défilant.
- 5 Sélectionnez le modèle de l'imprimante. Cliquez sur [Add] (Ajouter).
- 6 L'utilitaire Print Center (Centre d'impression) ou Print Setup Utility (Configuration de l'imprimante).

Installer le Guide de l'utilisateur

- 1 Après avoir placé le CD dans l'unité de CD-ROM, double-cliquez sur l'icône de CD sur le Bureau.
- 2 Faites défiler jusqu'à C910_UG_cf.pdf dans le répertoire racine.
 - Pour Installer: glissez le dossier sur le Bureau pour le copier.
 - Pour Visualiser: double-cliquez sur le fichier.

Instalación de hardware

Contenido de la caja



- 1 Impresora
- 2 De retención del paper
- 3 Bolsas protectoras contra la luz,, etiquetas para las bandejas de papel
- 4 Paño para limpiar lentes LED
- 5 Cable de alimentación
- 6 Ferrite Core
- 7 CD
- 8 Cartucho de toner
- 9 Documentación (no se muestran)

Nota

Los cables USB y Ethernet no vienen con su equipo y deben comprarse por separado.

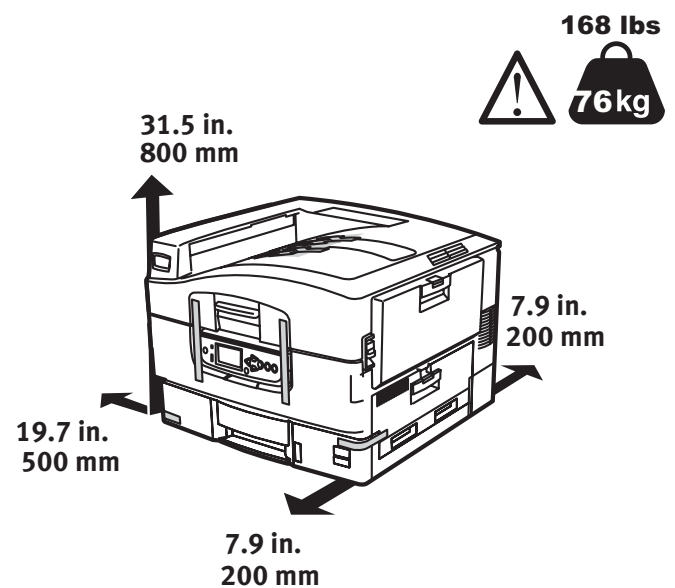
Le recomendamos que guarde los materiales de embalaje, son necesarios para transportar el equipo.

Prepare el lugar

Requisitos medioambientales

- Temperatura: 10 a 32 °C (50 a 90 °F)
- Humedad: 20 a 80% HR (humedad relativa))
Si instala su equipo en un lugar donde la humedad es menor al 30% de HR, utilice un humidificador o un tapete antiestático.

Requisitos de espacio



Requisitos de espacio

- 110-127 V CA, 60 Hz, o 230 V CA, 50 Hz
- Máximo de 1500 vatios.

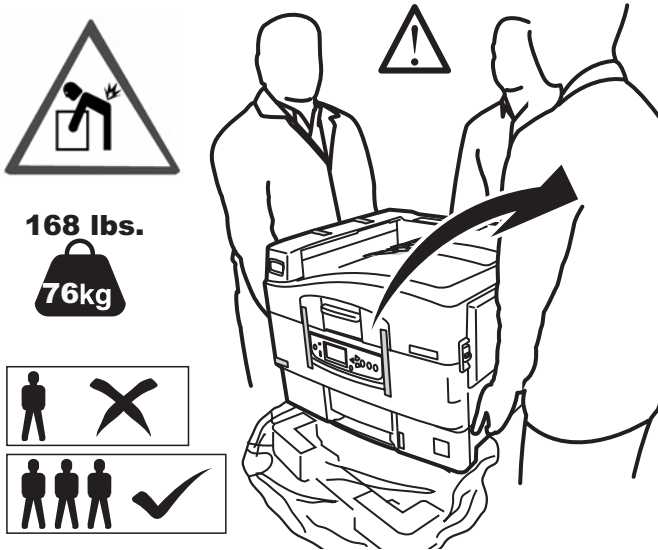
¡Importante!

No conecte este equipo a un suministro de energía ininterrumpible (UPS).
Si la fuente de energía es inestable, utilice un regulador de voltaje.

Desempacar la máquina

¡Importante!

Se necesitan al menos tres personas para levantar el equipo en forma segura.

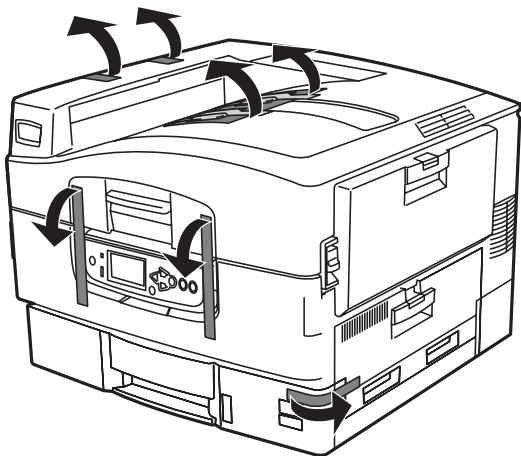


Nota

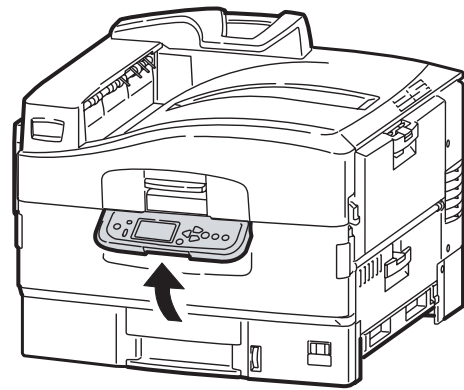
Las siguientes ilustraciones son descriptivas. Los materiales de embalaje o la cinta reales podrían variar un poco respecto de las ilustraciones.

Guarde los materiales de embalaje, son necesarios para transportar el equipo.

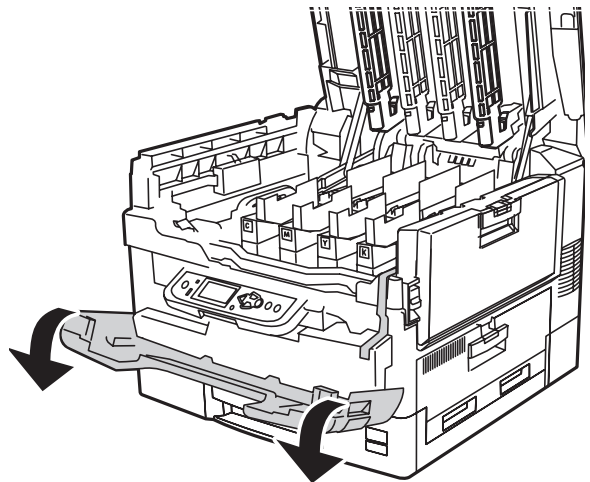
- 1 Levante la impresora y colóquela en la ubicación seleccionada.
- 2 Retire las cintas adhevas de transporte.



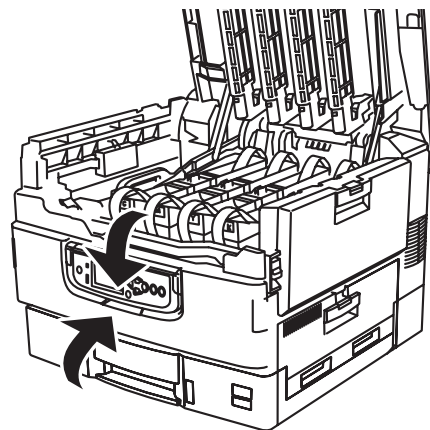
- 3 Levante la panel del operador.



- 4 Abra la tapa delantera y retire el material protector y la hoja protectora.

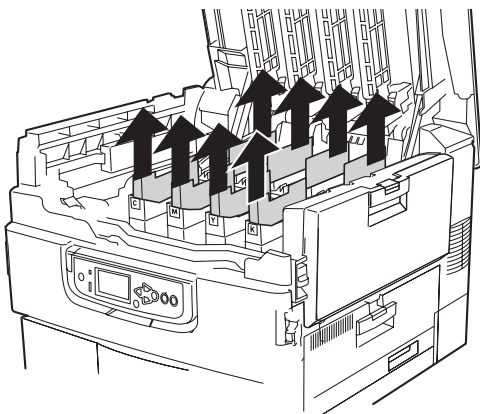


- 5 Cierre la tapa delantera y ajuste el panel del operador.

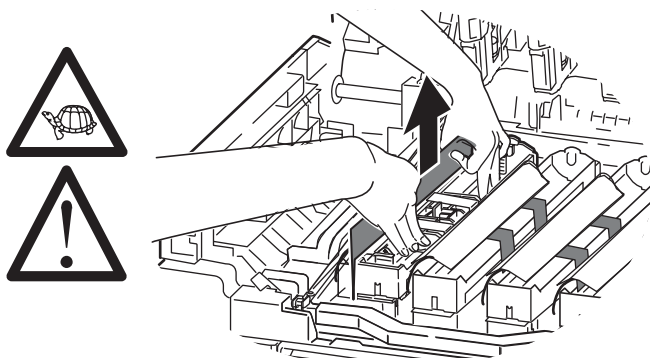


Prepare los cilindros de imagen

- 1 Retire cilindro de imagen protector para transporte.



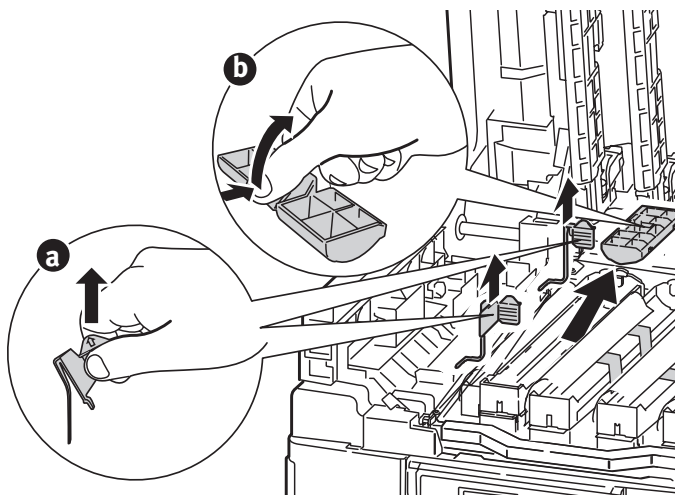
- 2 Retire el cinta adhesiva. Retire la hoja de protección.



- 3 Retirez les verrous de couleur (a). Retire la cinta adhesiva y luego retire los sellos a color (b).

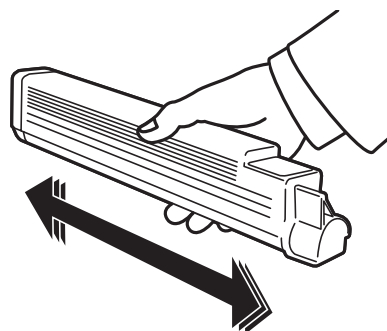
Nota

Asegúrese de retirar toda la cinta adhesiva de los cartuchos del cilindro de imagen.

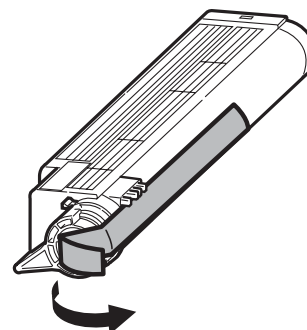


Reinstale el cartuchos de tóner

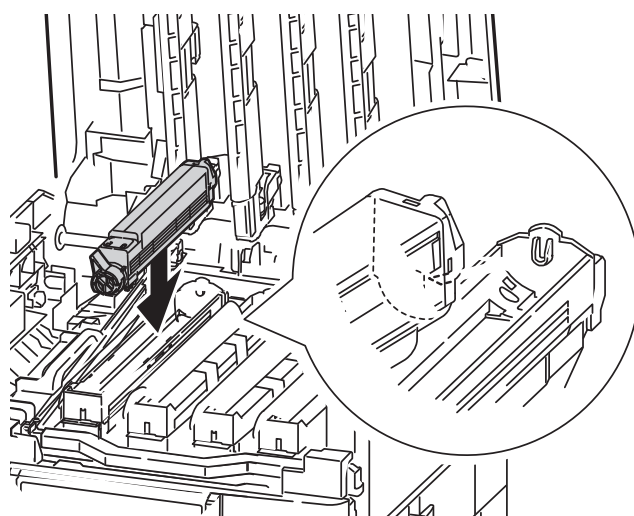
- 1 Secourez la cartouche de toner d'un côté à l'autre afin de répartir le toner.



- 2 Retirez le ruban adhésif d'étanchéité de la cartouche de toner.



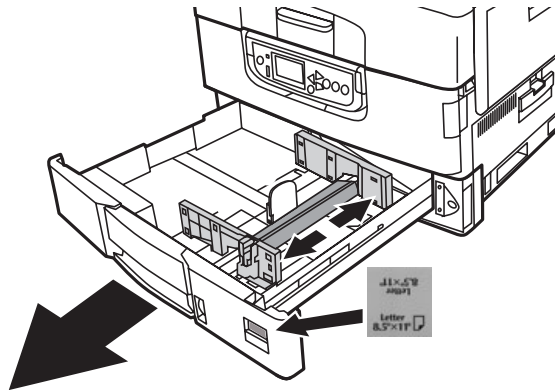
- 3 Alinee la muesca en el extremo del cartucho de tóner con la lengüeta (a) del cilindro de imagen y luego deslice el cartucho de tóner dentro del cilindro de imagen. Empuje hacia abajo para asegurarse de que calza en su lugar. Enclenchez la cartouche de toner avec le levier de couleur...



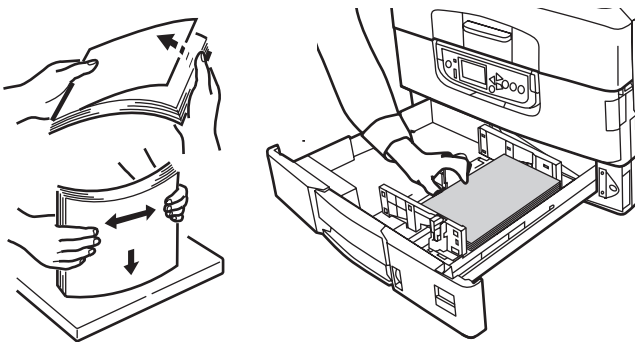
- 4 Repita estos pasos para instalar los cartuchos de tóner.
- 5 Cierre la cubirta superior.

Carga de papel

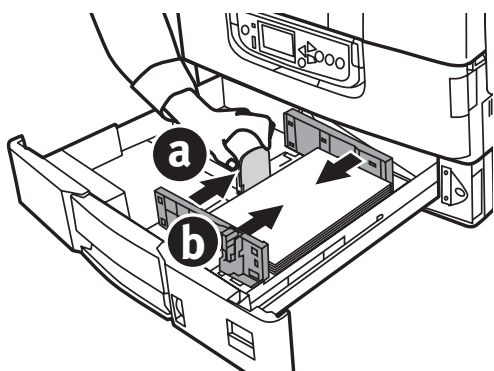
- 1 Saque la bandeja del papel. Retire el retenedor de embarque a color. Inserte la etiqueta del tamaño del medio correspondiente. Es útil cuando tiene instaladas bandejas opcionales.



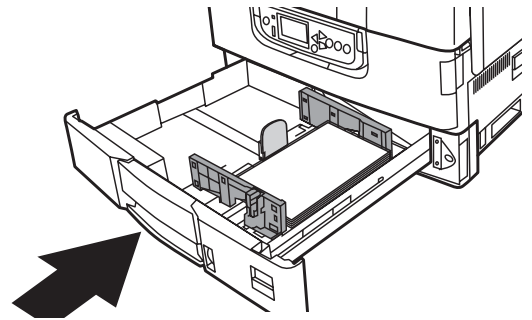
- 2 Ventile el papel. Coloque el papel en la bandeja.



- 3 Ajuste las guías (a, b) de acuerdo al tamaño del papel. Asegúrese de que las guías de papel están bien ajustadas contra el papel.

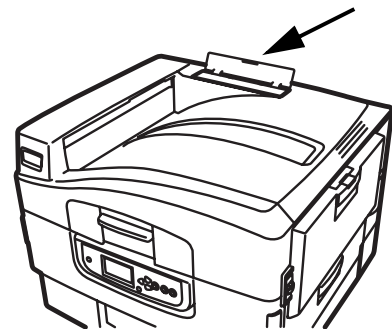


- 4 Cierre la bandeja de papel.

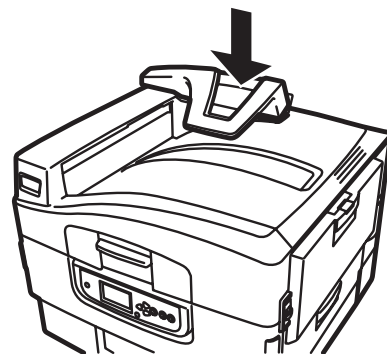


Instalar el de retención del papel

- 1 Levante la tapa en donde está colocado el receptor de papel.



- 2 Alinee las lengüetas del receptor con las muescas de la impresora. Press down until catcher is fully seated.



Conexión de la alimentación

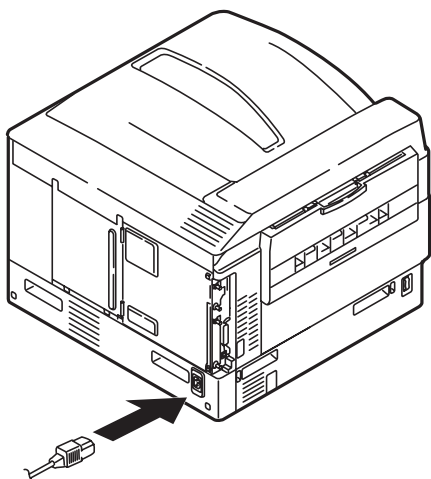
¡ADVERTENCIA!

Asegúrese de utilizar el cable de alimentación 15 A AC que vino con la impresora. El uso de un cable de alimentación distinto al suministrado con este producto, o el uso de un cable de extensión, puede causar su recalentamiento y constituir un peligro de seguridad.

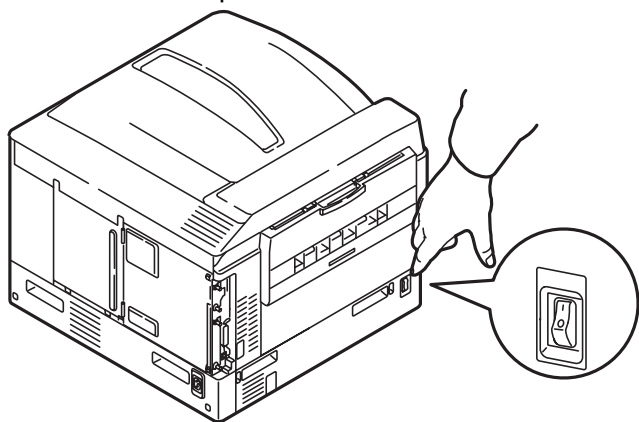
¡PRECAUCION!

Asegúrese de utilizar el cable de alimentación 15 A AC que vino con la impresora. El uso de un cable de alimentación distinto al suministrado con este producto, o el uso de un cable de extensión, puede causar su recalentamiento y constituir un peligro de seguridad..

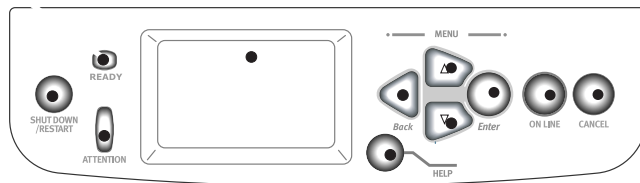
- 1 Enchufe el cable de alimentación.



- 2 Encienda la impresora..



Imprima la página demo



- 1 Pulse Menú en el panel de control.
- 2 Pulse el botón con flecha hacia abajo para seleccionar Printer Information (Información sobre impresora). Pulse Enter.
- 3 Pulse el botón con flecha hacia abajo para seleccionar Demo Page (Página de demostración). Pulse Enter.
- 4 Aparece Demo1. Pulse Enter.
- 5 Aparece el mensaje Execute (Ejecutar). Pulse Enter.

Cómo hacer conexiones e instalar los controladores de la impresora

Sistemas operativos compatibles

Su equipo es compatible con los siguientes sistemas operativos:

Windows

- Windows 7
- Windows Server 2008
- Windows Vista
- Windows Vista 64-bit Edition
- Windows Server 2003
- Windows XP
- Windows XP x64 Edition
- Windows 2000, Windows 2000/Server

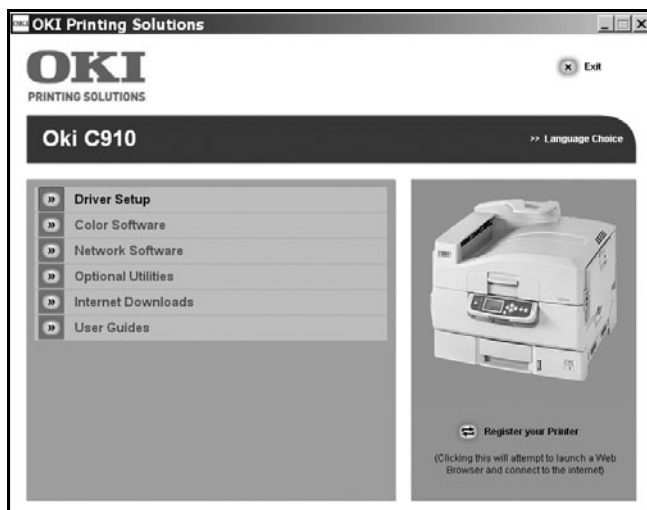
Macintosh

- Mac OS X 10.2.4 a 10.6.

¡Importante!

Los usuarios de Mac OS X 10.6 Intel PC deben instalar Rosetta antes de instalar el controlador de la impresora.

Contenido del CDs



El CD que viene con la impresora incluye los controladores, utilidades y una conexión a la red para que pueda bajar utilidades adicionales desde el sitio Web de Oki Data.

El CD además le proporciona información adicional sobre las utilidades para facilitarle la elección.

Controladores de la impresora

- PS
- PCL

Software adicional

- Software Color
 - Color Swatch Utility (Utilidad de Muestrario de Colores)
 - Color Correct Utility (Utilidad Corrección de Color)
 - PS Gamma Adjuster Utility (Utilidad PS de Ajuste de Gamma)
- Software de red
 - Network Card Setup Utility (Utilidad Config. de la tarjeta de red)
 - Direct Network Printing Utility (LPR) (Utilidad de Impresión Directa en la Red (LPR))
 - Network Extension Utility (Utilidad Extension de red)
- Utilidades opcionales
 - Change Printer Display Language (Cambie el idioma del Despliegue de Impresora)
 - PDF Direct Print Utility (Utilidad Impresión Directa de PDF)

El interned Descarga

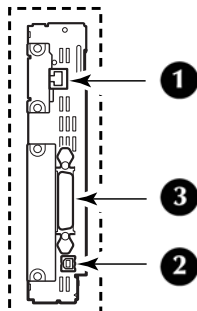
- Print Supervision Utility (Utilidad Print SuperVision)
- Storage Device Manager Utility (Utilidad Storage Device Manager)
- Print Job Accounting Utility (Utilidad Contabilidad de trabajos de impresión)
- Profile Assistant Utility (Utilidad Asistente de Perfiles)

Interfaces disponible

Nota

Los cables de interfaz no se suministran con la impresora

La impresora tiene tres interfaces:



- 1** Ethernet
 - Para una conexión a redes mediante un cable, PCs y/o Macs
 - 10Base-T y 100Base-TX
- 2** USB
 - Para una conexión directa al PC o Mac.
 - Requiere un cable compatible con USB versión 2.0 o superior.
- 3** Paralela (solo Windows)
 - Para una conexión directa al PC.
 - Requiere un cable paralelo bidireccional (compatible con IEEE 1384).

Procedimientos de instalación

Windows

Instalación en red, ver abajo.

Instalación de USB, ver página 39.

Instalación de Puerto Paralelo, ver página 39.

Macintosh

Instalación en red, ver página 40.

Instalación de USB, ver página 42.

Instalación de la red bajo Windows

Haga la conexión de redes

¡Importante!

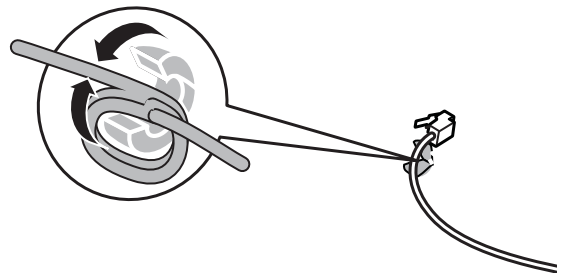
Para reducir la interferencia electromagnética—"ruido" que interfiere con los televisores y otros equipos—debe conectar el núcleo de ferrita que se incluye, al cable de redes conectado a su impresora.

Nota

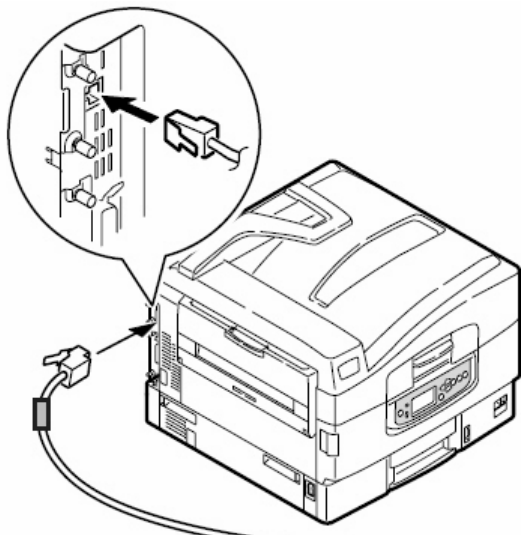
El concentrador y el cable Ethernet no vienen con su máquina.



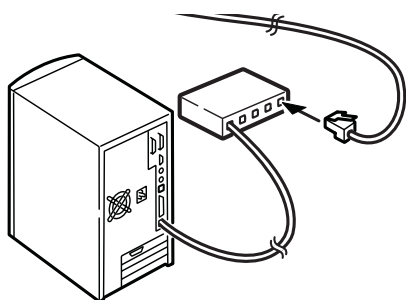
- 1** Apague la impresora.
- 2** Apague la computadora.
- 3** Conecte el cable como se muestra colocando el núcleo de ferrita a unos 25 mm (1 pulgada) del conector en el extremo de la impresora.



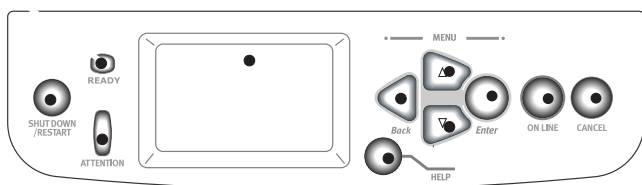
- 4 Conectar el extremo del núcleo de ferrita del cable Ethernet a la impresora.



- 5 Conecte el otro extremo del cable Ethernet a un hub (concentrador) apropiado.



Imprima la página Network Information (Información de red)



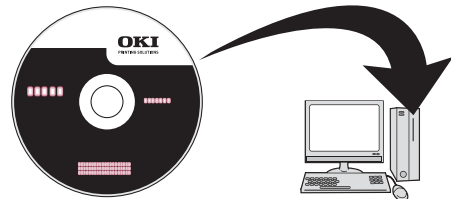
La página con Información de redes le suministra la información necesaria para instalar software y configurar la red.

- 1 Asegúrese de que la impresora está encendida.
- 2 Pulse Menú en el panel de control.
- 3 Pulse el botón con flecha hacia abajo para seleccionar Printer Information (Información sobre impresora). Pulse Enter.
- 4 Pulse el botón con flecha hacia abajo para seleccionar Network (Red). Pulse Enter.

- 5 Aparece el mensaje Execute (Ejecutar). Pulse Enter.

Instale los controladores de la impresora y las utilidades

- 1 Asegúrese que la impresora está apagada.
- 2 Inserte el CD viene con su impresora en la unidad CD-ROM. El CD se ejecuta automáticamente. (Si no se ejecuta, haga clic en [Start] (Inicio) > [Run] (Ejecutar) > [Browse] (Examinar). Busque la unidad CD-ROM, haga double clic en [setup.exe] y haga clic en [OK] (Aceptar).)

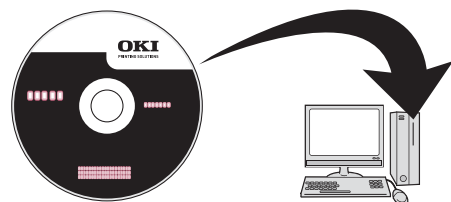


- 3 Seleccione su idioma.
- 4 Aceptar el contrato de licencia.
- 5 Haga clic en [Driver Setup] (Config. de controlador).
- 6 Haga clic en [Install Driver] (Instalar controlador).
- 7 Seleccione de impresoras network. Haga clic en [Next] (Siguiente).
- 8 Cuando se le indica, seleccione la emulación de la impresora (PS, PCL) que desea instalar.
- 9 Siga las instrucciones en pantallas.

Innstarlar la Guía del Usuario

Si desea instalar la Guía del usuario (pdf) en las computadoras conectadas a la impresora:

- 10 Inserte el CD viene con su impresora en la unidad CD-ROM. El CD se ejecuta automáticamente. (Si no se ejecuta, haga clic en [Start] (Inicio) > [Run] (Ejecutar) > [Browse] (Examinar). Busque la unidad CD-ROM, haga double clic en [setup.exe] y haga clic en [OK] (Aceptar).)



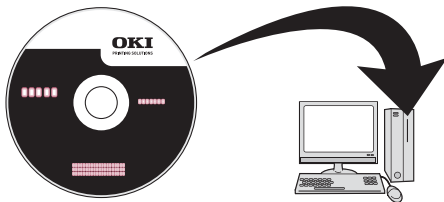
- 11 Seleccione su idioma y aceptar el contrato de licencia.

- 12** Haga clic en [User Guides] (Guías de Usuario).
- 13** Haga clic en [Install User Guide] (Instalar guía del usuario) y siga las instrucciones en pantallas.

Instalación de USB Windows

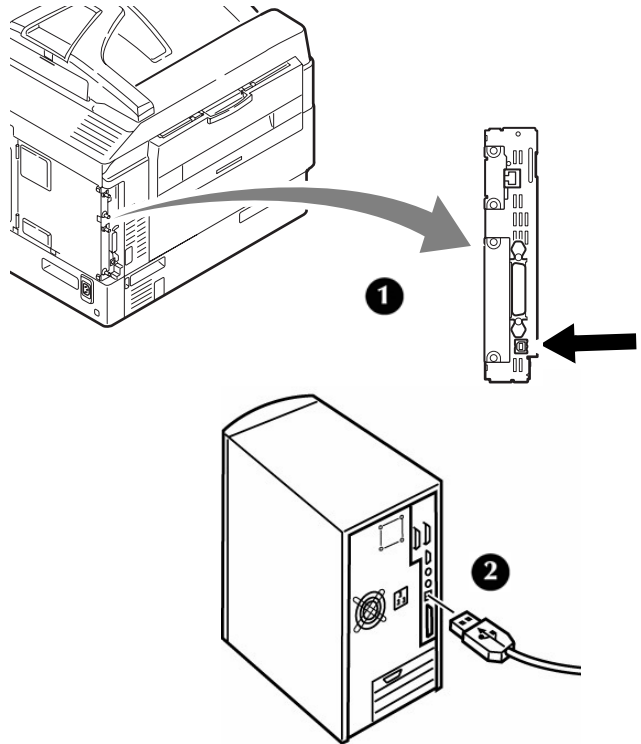
Instale los controladores de la impresora y las utilidades

- 1** Asegúrese que la impresora está apagada.
- 2** Inserte el CD que viene con su impresora en la unidad CD-ROM. El CD se ejecuta automáticamente. (Si no se ejecuta, haga clic en [Start] (Inicio) > [Run] (Ejecutar) > [Browse] (Examinar). Busque la unidad CD-ROM, haga clic en [setup.exe] y haga clic en [OK] (Aceptar).)



- 3** Seleccione su idioma.
- 4** Aceptar el contrato de licencia.
- 5** Haga clic en [Driver Setup] (Config. de controlador).
- 6** Haga clic en [Install Driver] (Instalar controlador).
- 7** Seleccione de impresoras local.
- 8** Seleccione el puerto USB. Haga clic en [Next] (Siguiente).
- 9** Seleccione [OKI C910], luego seleccione el tipo de emulación a instalar (PCL, PS).
- 10** Siga las instrucciones en pantallas.

- 11** Cuando se le indica, conecte el cable USB al puerto USB de la impresora (1) y de la computadora (2).



- 12** Encienda la impresora.

Innstar la Guía del Usuario

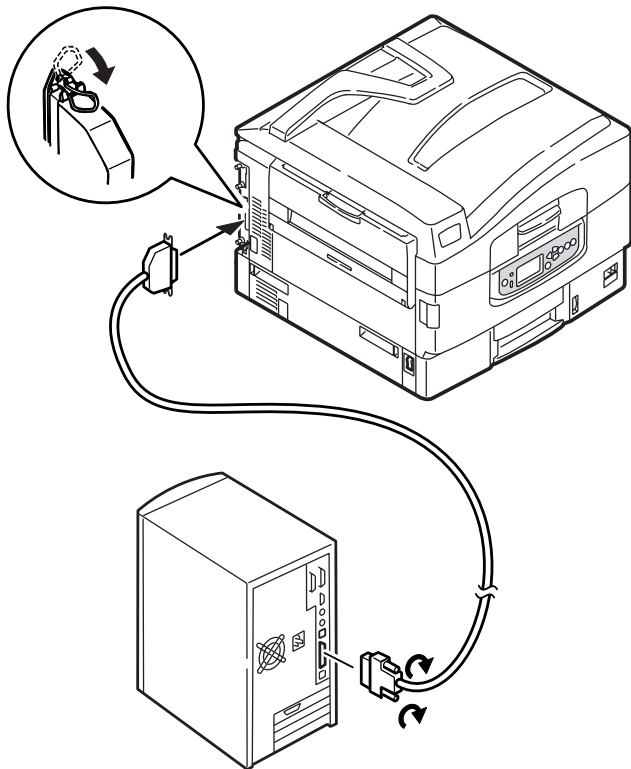
Si también quiere instalar la Guía del usuario (pdf):

- 1** Con el CD en la unidad CD-ROM, haga clic en [User Guides] (Guías de Usuario).
- 2** Haga clic en [Install User Guide] (Instalar guía del usuario) y siga las instrucciones en pantallas.

Instalación de Interfaz paralela Windows

- 1** Apague la impresora y la computadora.

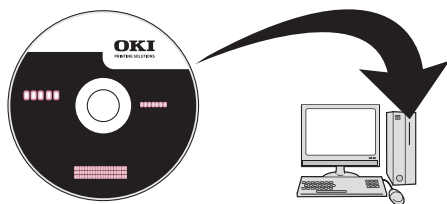
- 2 Conecte un cable paralelo entre la impresora y la computadora.



- 3 Encienda la impresora y la computadora.

Instale los controladores de la impresora y las utilidades

- 1 Asegúrese que la impresora está apagada.
- 2 Inserte el CD que viene con su impresora en la unidad CD-ROM. El CD se ejecuta automáticamente. (Si no se ejecuta, haga clic en [Start] (Inicio) > [Run] (Ejecutar) > [Browse] (Examinar). Busque la unidad CD-ROM, haga doble clic en [setup.exe] y haga clic en [OK] (Aceptar).)



- 3 Seleccione su idioma.
- 4 Aceptar el contrato de licencia.
- 5 Haga clic en [Driver Setup] (Config. de controlador).
- 6 Haga clic en [Install Driver] (Instalar controlador).
- 7 Seleccione de impresoras local.

- 8 Seleccione el puerto LPT1.: Haga clic en [Next] (Siguiente).
- 9 Seleccione [OKI C910], luego seleccione el tipo de emulación a instalar (PCL, PS).
- 10 Siga las instrucciones en pantallas.

Instalar la Guía del Usuario

Si también quiere instalar la Guía del usuario (pdf):

- 1 Con el CD en la unidad CD-ROM, haga clic en [User Guides] (Guías de Usuario).
- 2 Haga clic en [Install User Guide] (Instalar guía del usuario) y siga las instrucciones en pantallas.

Instalación de la red bajo Macintosh

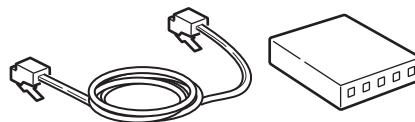
Haga la conexión de redes

¡Importante!

Para reducir la interferencia electromagnética—"ruido" que interfiere con los televisores y otros equipos—debe conectar el núcleo de ferrita que se incluye, al cable de redes conectado a su impresora.

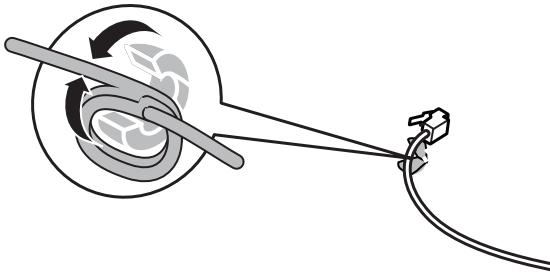
Nota

El concentrador y el cable Ethernet no vienen con su máquina.

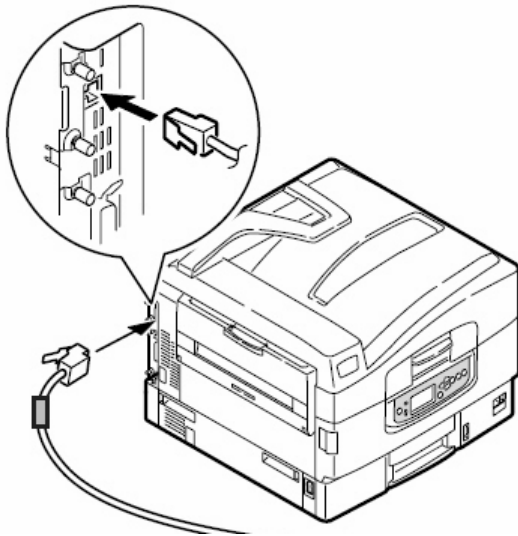


- 1 Apague la impresora y la computadora.

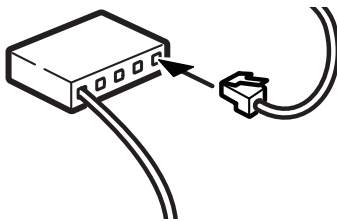
- 2 Conecte el cable como se muestra colocando el núcleo de ferrita a unos 25 mm (1 pulgada). del conector en el extremo de la impresora.



- 3 Conectar el extremo del núcleo de ferrita del cable Ethernet a la impresora.



- 4 Conecte el otro extremo del cable Ethernet a un hub (concentrador) apropiado.



Instale los controladores de la impresora y las utilidades

- 1 Encienda la impresora, luego encienda la computadora.

- 2 Inserte el CD que viene con su impresora en la unidad CD-ROM.



- 3 Haga doble clic en el icono del CD que aparece en su escritorio.
- 4 Abra la carpeta MAC.
- 5 Haga doble clic en el icono Instalador Mac C910.
Aparece [Installer] (Instalador) con el controlador preseleccionado..
- 6 Seleccione las utilidades que desea instalar.
- 7 Haga clic en [Install] (Instalar).

Agregue la impresoras

- 1 Ejecute la utilidad Print Center (Centro de impresión) o Print Setup Utility (Config. de Impresora). Haga clic en [Add] (Agregar).
- 2 Haga clic en [More Printers] (Más impresoras).
- 3 Seleccione el protocolo: Impresión IP o Rendezvous/Bonjour del menú desplegable.
- 4 Entre la dirección IP de la impresora.
- 5 Seleccione el modelo de su impresora. Haga clic en [Add] (Agregar).
- 6 Salga de Print Center (Centro de impresión) o Print Setup Utility (Config. de Impresora).

Instalar la Guía del Usuario

- 1 Con el CD en la unidad CD-ROM, haga doble clic en el icono del CD en su escritorio.
- 2 Busque el archivo C910_UG_Is.pdf que se encuentra en el directorio.
 - Para ejecutar: arrastre el archivo .pdf al escritorio
 - Para ver: haga doble clic en el archivo .pdf.

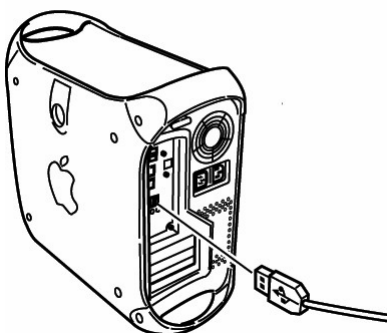
Instalación de USB Macintosh

Conecte el cable USB

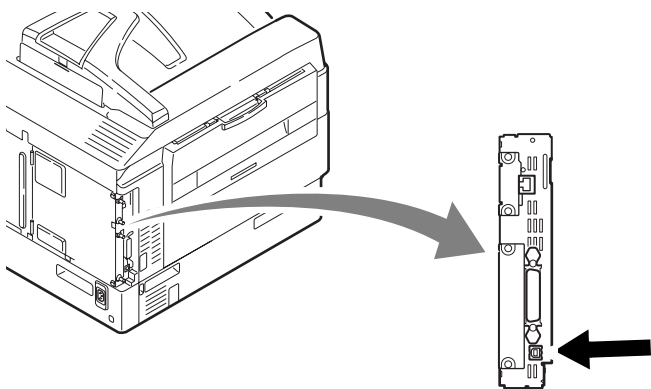
Nota

No se garantiza el funcionamiento de la impresora si otro dispositivo compatible con USB está conectado al mismo tiempo.

- 1 Apague la impresora.
- 2 Conecte el cable USB al puerto USB de la computadora.



- 3 Conecte el otro extremo del cable al puerto USB de la impresora



Instale los controladores de la impresora y las utilidades

- 1 Encienda la impresora, luego encienda la computadora.

- 2 Inserte el CD que viene con su impresora en la unidad CD-ROM.



- 3 Haga doble clic en el icono del CD que aparece en su escritorio.
- 4 Abra la carpeta MAC.
- 5 Haga doble clic en el icono Instalador Mac C910.
Aparece [Installer] (Instalador) con el controlador preseleccionado..
- 6 Seleccione las utilidades que desea instalar.
- 7 Haga clic en [Install] (Instalar).

Agregue la impresoras

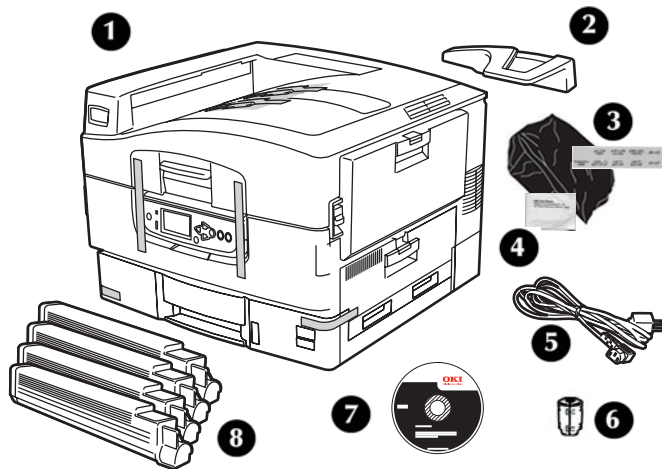
- 1 Ejecute la utilidad Print Center (Centro de impresión) o Print Setup Utility (Config. de Impresora).
- 2 Haga clic en [Add] (Agregar).
- 3 Haga clic en [More Printers] (Más impresoras).
- 4 Seleccione OKI USB del menú desplegable.
- 5 Seleccione el modelo de su impresora. Haga clic en [Add] (Agregar).
- 6 Salga de Print Center (Centro de impresión) o Print Setup Utility (Config. de Impresora).

Instalar la Guía del Usuario

- 1 Con el CD en la unidad CD-ROM, haga doble clic en el icono del CD en su escritorio.
- 2 Busque el archivo C910_UG_Is.pdf que se encuentra en el directorio.
 - Para ejecutar: arrastre el archivo .pdf al escritorio
 - Para ver: haga doble clic en el archivo .pdf.

Instalação do hardware

Conteúdo do pacote



- 1 Impressora
 - 2 Protetor do papel
 - 3 Sacos à prova de luz, etiquetas de identificação da mídia das bandejas para papel
 - 4 Almofada de limpeza dos pentes de LED
 - 5 Cabo de Energia Elétrica
 - 6 Núcleo de Ferrite
 - 7 CD
 - 8 Cartucho de toner
- Documentação (não ilustrados)

Nota

Os cabos Ethernet e USB não são fornecidos com a unidade e devem ser adquiridos separadamente.

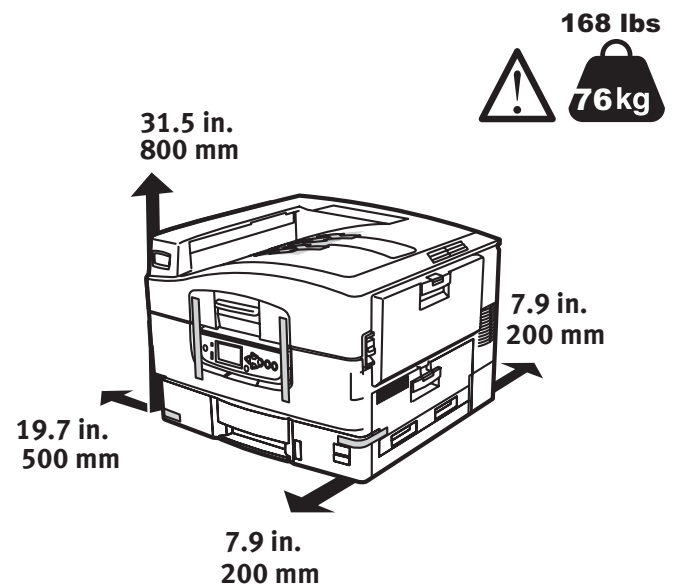
É recomendável que você guarde as embalagens, elas são necessárias para o transporte da unidade.

Prepare o local de instalação

Requisitos ambientais

- Faixa de temperatura: 50 a 90 °F (10 a 32 °C)
- Umidade: umidade relativa entre 20 e 80 %
Se a sua unidade for instalada em um local com umidade relativa inferior a 30 %, use um umidificador ou tapete antiestático.

Requisitos de espaço



Requisitos de energia

- 110-127 VAC, 60 Hz, ou 230 VAC, 50 Hz
- 1500 Watts no máximo.

Importante!

Não conecte este produto a um sistema de energia ininterrupto (UPS).

Se a fonte de alimentação for instável, use um regulador de voltagem.

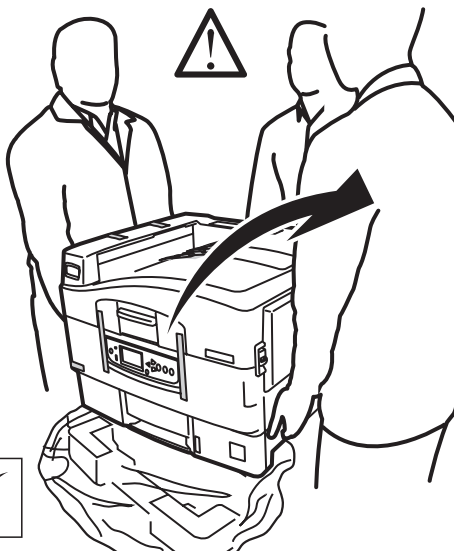
Desembalar a unidade

Importante!

Pelo menos três pessoas são necessárias para erguer a unidade com segurança.



168 lbs.



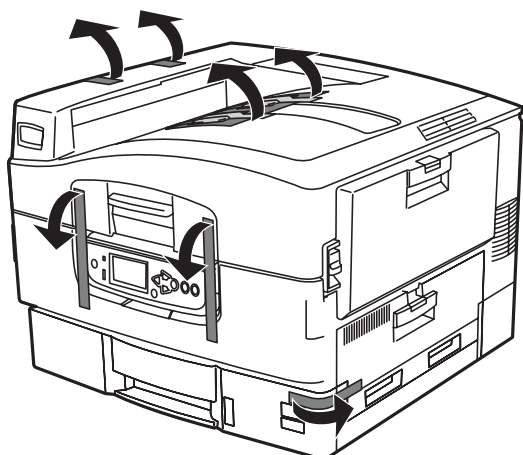
Nota

As ilustrações a seguir são para referência. As fitas e o material de embalagem podem diferir um pouco da ilustração.

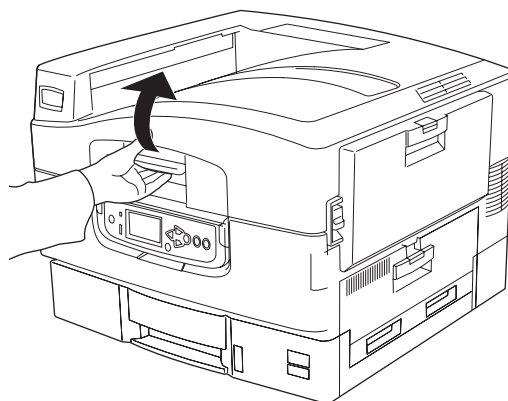
Guarde as embalagens, elas são necessárias para transportar a unidade.

1 Coloque a impressora no local seleccionado.

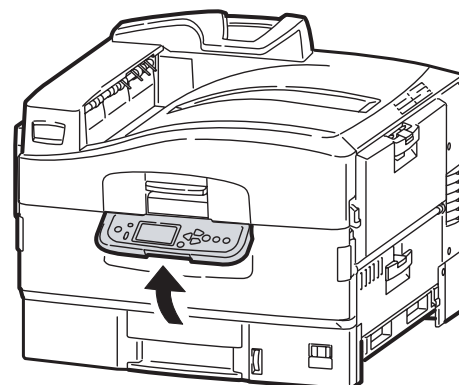
2 Retire as fitas de transporte.



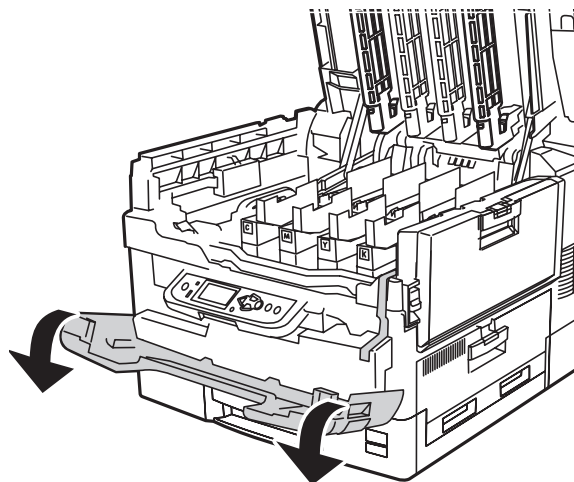
3 Abra a tampa superior.



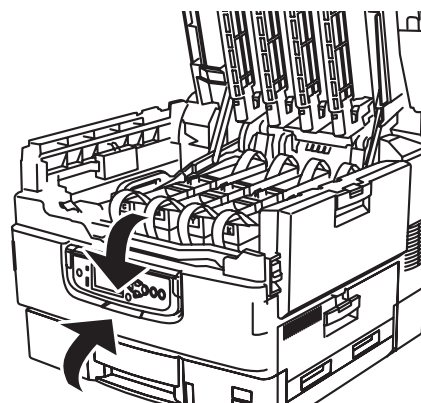
4 Abra a painel do operador.



5 Abra a tampa frontal. Retire as fitas.

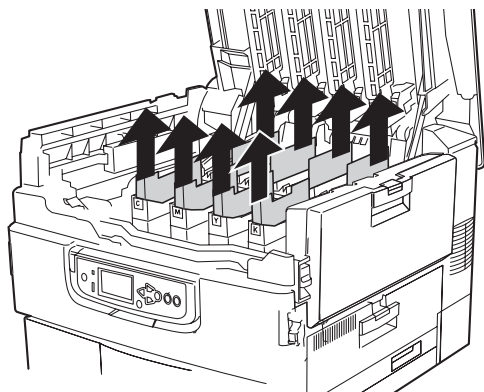


6 Feche a tampa frontal e ajuste o painel de operação.

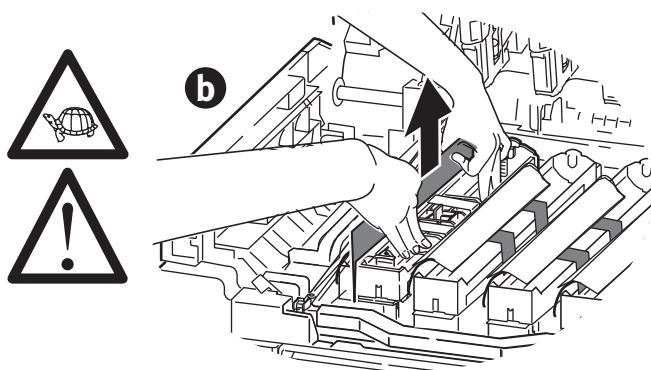


Preparação dos cilindros OPC

- 1 Retire o protetor do cilindro usado para transport.



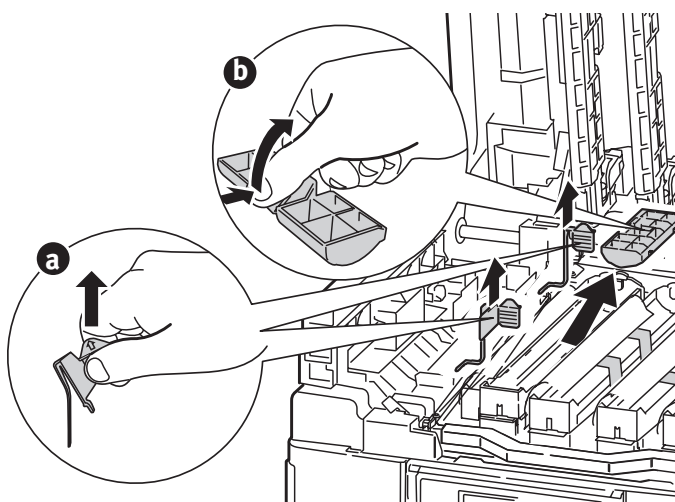
- 2 Remova a fita adesiva. Retire a folha de proteção.



- 3 Remova as tampas em cores (a). Remova a fita adesiva e retire os selos em cores (b).

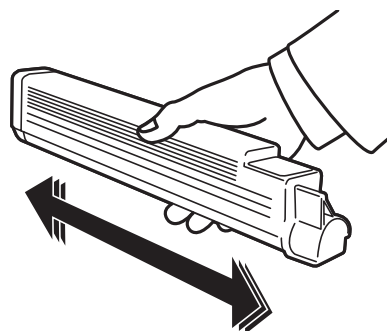
Nota

Certifique-se de que todos os selos em cores foram removidos dos cilindros OPC.

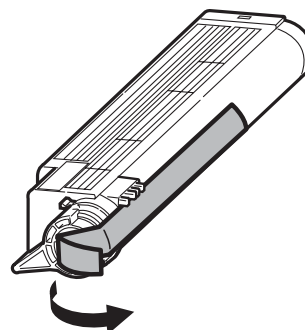


Instale dos cartuchos de toner

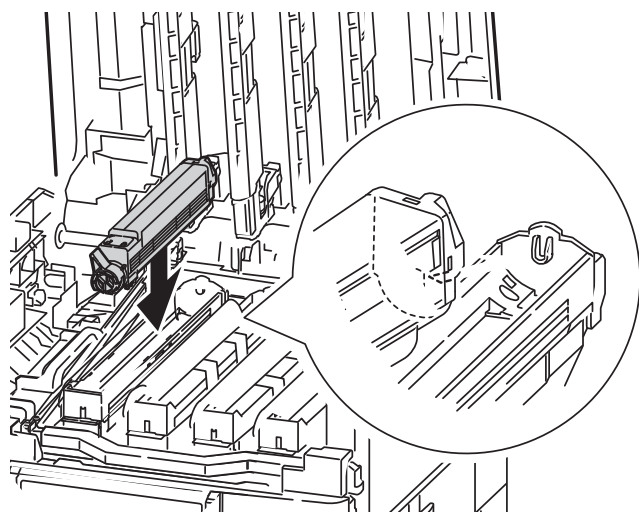
- 1 Agite o cartucho de toner no sentido indicado para distribuir o toner.



- 2 Remova o selo protetor na parte inferior do cartucho.



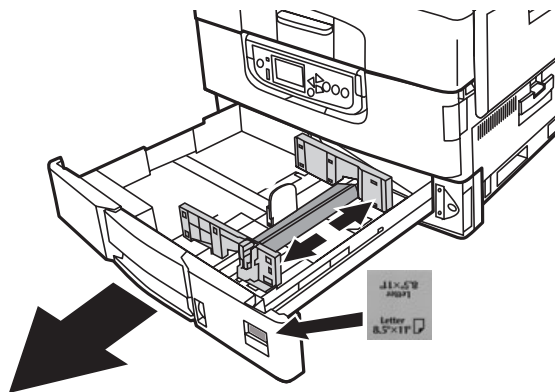
- 3 Alinhe a lingüeta na extremidade do cartucho de toner com a guia no cilindro OPC e, em seguida, encaixe o cartucho de toner no cilindro OPC. Pressione-o para baixo para que se encaixe corretamente. Trave o cartucho de toner com a alavanca colorida.



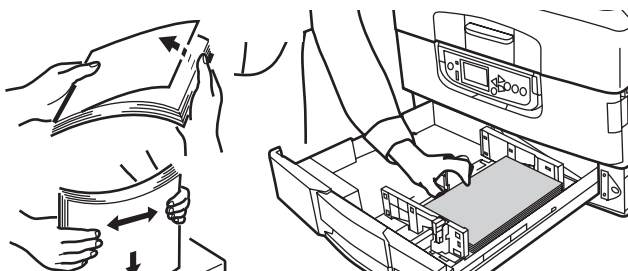
- 4 Repita estas etapas para os cartuchos de toner.
- 5 Feche a tampa superior.

Colocar papel

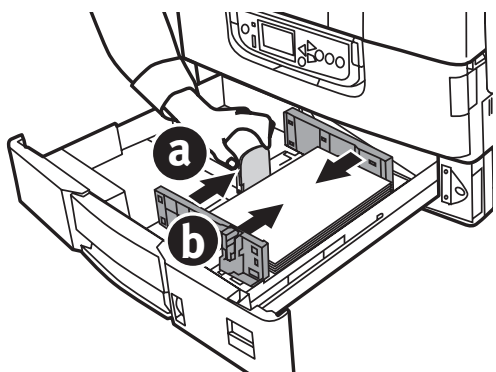
- 1 Retire a bandeja de papel. Remova o retentor colorido usado para transporte. Cole a etiqueta de identificação de tamanho da mídia. Isto é útil se bandejas opcionais estiverem instaladas.



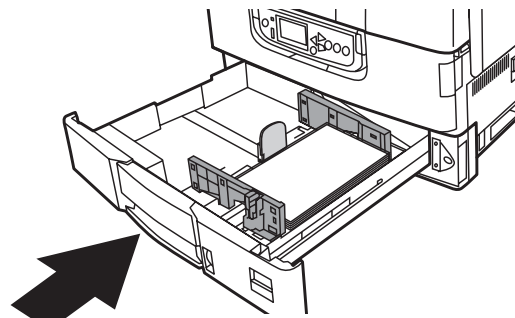
- 2 Ventile o papel e coloque-o na bandeja.



- 3 Ajuste as guias (a, b) de acordo com o tamanho do papel. As guias do papel devem estar bem encostadas no papel.

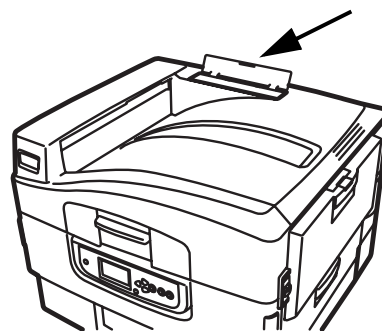


- 4 Feche a bandeja.

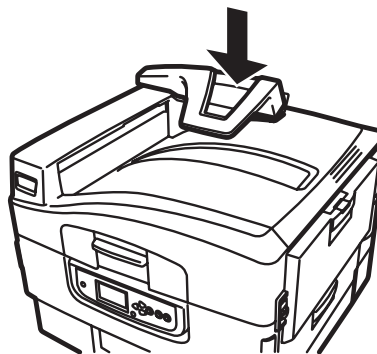


Instalar o retentor do papel

- 1 Levante a tampa onde o retentor do papel se encaixa.



- 2 Alinhe as guias do retentor com os entalhes na impressora. Pressione para baixo até que o retentor se encaixe totalmente.



Conexão da impressora à fonte de energia

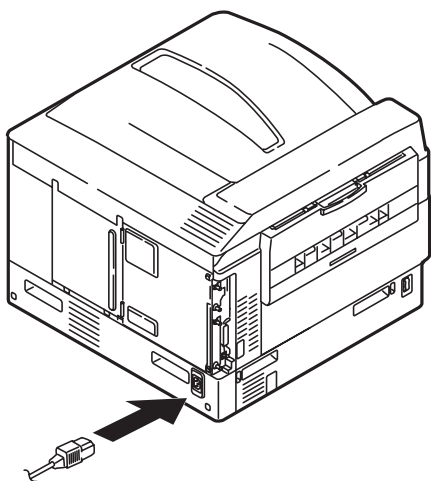
Aviso!

Certifique-se de usar o cabo de alimentação fornecido com a impressora. O uso de um cabo de alimentação não fornecido com o produto ou de uma extensão pode resultar em superaquecimento e colocar em risco a segurança.

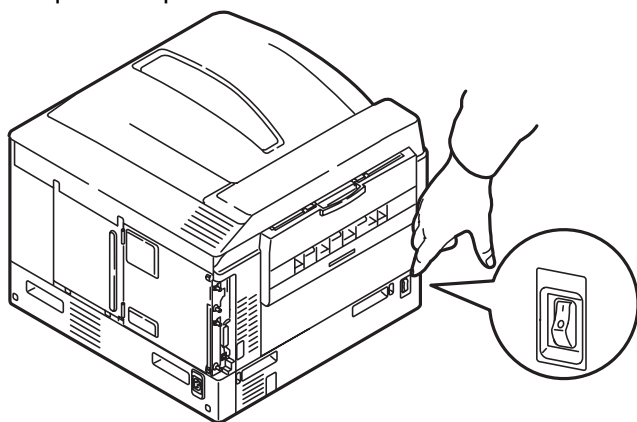
Cuidado

Não conecte este produto a um sistema de energia ininterrupto (UPS - no-break). Para obter mais informações, entre em contato com a Oki Data pelo número 55-11-3444-6747 (Grande São Paulo) 0800-11-5577 (Demais localidades) ou visite www.okidata.com.

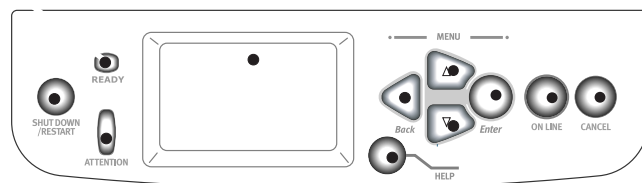
- 1 Insira o cabo.



- 2 Ligue a impressora.



Impressão da página de demonstração



- 1 Pressione o botão Menu no painel de controle.
- 2 Pressione a seta para baixo para selecionar Print Information (Imprimir informações). Pressione Enter.
- 3 Pressione a seta para baixo para selecionar Demo Page (Página de demonstração). Pressione Enter.
- 4 Demo1 aparecerá. Pressione Enter.
- 5 A opção Execute (Executar) aparecerá. Pressione Enter.

Conexões e instalação dos drivers da impressora

Sistemas operacionais compatíveis

A unidade oferece suporte aos seguintes sistemas operacionais:

Windows

- Windows 7
- Windows Server 2008
- Windows Vista
- Windows Vista 64-bit Edition
- Windows Server 2003
- Windows XP
- Windows XP x64 Edition
- Windows 2000, Windows 2000/Server

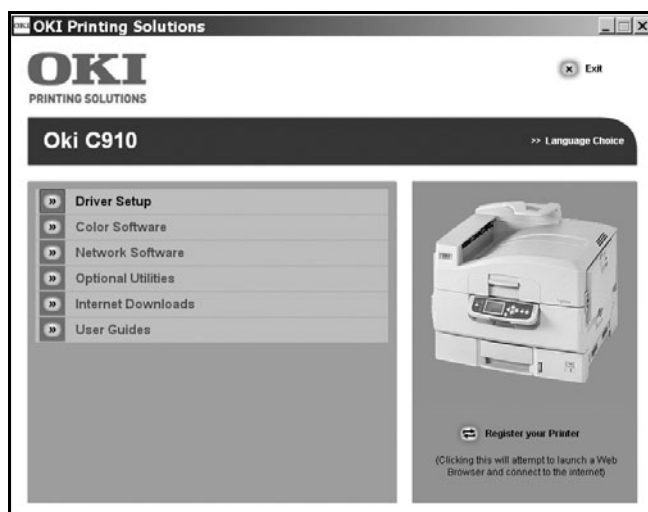
Macintosh

- Mac OS X 10.2.4 a 10.6.

Importante!

Os usuários do Mac OS X 10.6 IntelPC devem instalar o Rosetta antes de instalar o driver de impressora.

Conteúdo do CD



O CD fornecido com a impressora inclui os drivers da impressora, utilitários e um link para baixar outros utilitários do website da Oki Data.

Informações adicionais sobre os utilitários são fornecidas no CD para ajudar o usuário a fazer as seleções.

Drivers da impressora

- PS
- PCL

Software adicional

- Color Software (Software de cores)
 - Color Swatch Utility (Utilitário de Amostra de Cores)
 - Color Correct Utility (Utilitário de Correção de Cores)
 - PS Gamma Adjuster Utility (Utilitário de ajuste PS Gamma)
- Network Software (Software de rede)
 - Network Card Setup Utility (Utilitário de configuração da placa de rede) Direct Network Printing Utility (LPR)
 - Network Extension Utility (Utilitário Extensões de rede)
- Optional Utilities (Utilitários opcionais)
 - Printer Display Language (Alterar o idioma do painel da impressora)
 - PDF Direct Print Utility (Utilitário Impressão Direta de PDF)

Download de software

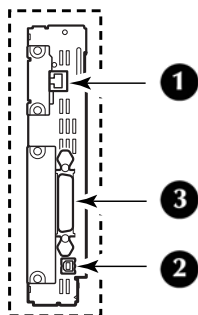
- Print SuperVision Utility (Utilitário Print SuperVision)
- Storage Device Manager Utility (Utilitário para gerenciar o armazenamento no dispositivo)
- Print Job Accounting Utility (Utilitário Contabilidade de trabalhos de impressão)
- Profile Assistant Utility (Utilitário Assistente de Perfis)

Interfaces disponíveis

Nota

Não são fornecidos cabos de interface com a impressora.

A impressora tem três interfaces:



- 1 Ethernet**
 - Para conexão de cabo de rede, PCs e/ou Macs
 - 10Base-T e 100Base-TX
- 2 USB**
 - Para conexão direta a um PC ou Mac.
 - Requer um cabo que esteja em conformidade com o padrão USB versão 2.0 ou acima.
- 3 Paralela (apenas Windows)**
 - Para conexão direta a um PC.
 - requer um cabo paralelo bidirecional (compatível com IEEE 1284).

Procedimentos de instalação

Windows

Instalação em rede, ver abaixo.

Instalação USB, consulte a página 51.

Instalação em porta paralela, consulte a página 51.

Macintosh

Instalação em rede, consulte a página 53.

Instalação USB, consulte a página 54.

Instalação em rede Windows

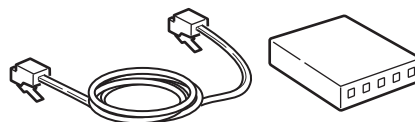
Faça a conexão de rede

Importante!

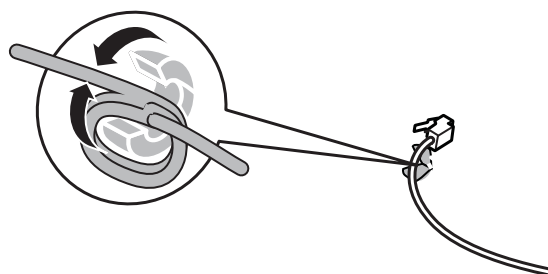
A fim de reduzir o nível de interferência eletromagnética—"ruído" que interfere com televisores ou outros aparelhos domésticos—é preciso colocar o núcleo de ferrita fornecido no cabo da rede conectado à impressora.

Nota

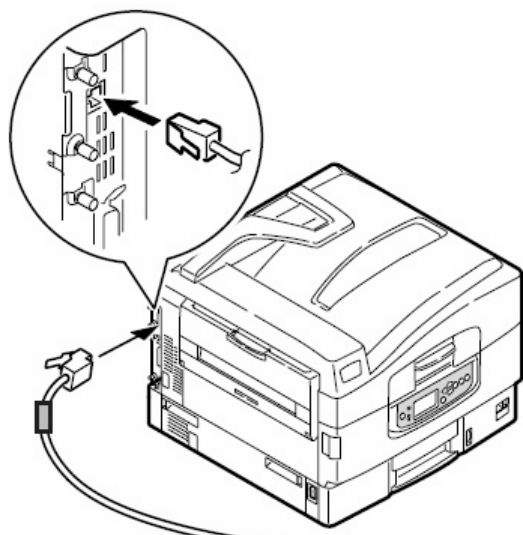
O hub e o cabo Ethernet não são incluídos na unidade.



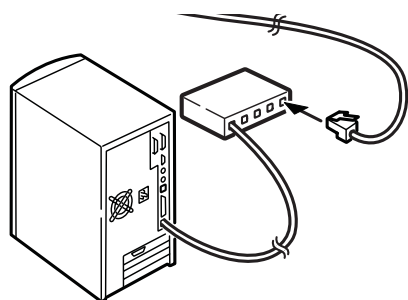
- 1** Desligue a impressora.
- 2** Desligue o computador.
- 3** Enrole o cabo como ilustrado, colocando o núcleo a cerca de 2,5 cm (1 polegada) de distância do conector na impressora.



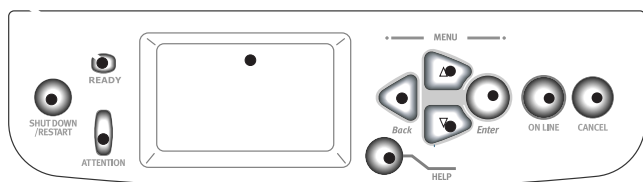
- 4 Conecte a extremidade do cabo Ethernet com o núcleo de ferrita à impressora.



- 5 Conecte a outra extremidade do cabo Ethernet a um hub adequado.



imprima a página de informações da rede

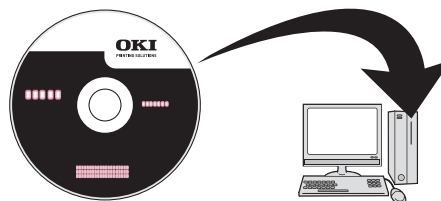


A página de informações da rede fornece as informações necessárias para instalar o software e configurar a rede.

- 1 Certifique-se de que a impressora esteja ligada.
- 2 Pressione o botão Menu no painel de controle.
- 3 Pressione a seta para baixo para selecionar Print Information (Imprimir informações). Pressione Enter.
- 4 Pressione a seta para baixo para selecionar Network (Rede). Pressione Enter.
- 5 A opção Execute (Executar) aparecerá. Pressione Enter.

Instale os drivers e utilitários

- 1 Certifique-se de que a impressora esteja ligada.
- 2 Insira o CD dos drivers fornecido com a impressora na unidade de CD-ROM. O CD será executado automaticamente. (Se não for, clique em [Start] (Iniciar) > {run} (Executar) > [Browse] (Procurar). Localize a unidade de CD-ROM. Clique duas vezes no arquivo [setup.exe]. Clique em [OK].)

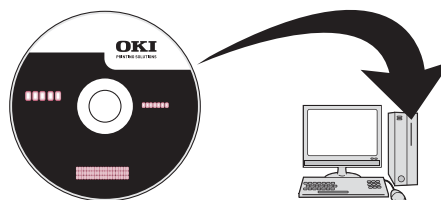


- 3 Selecione o idioma.
- 4 Aceite o contrato de licença.
- 5 Clique em [Driver Setup] (Configuração do driver).
- 6 Clique em [Install Driver] (Instalar driver).
- 7 Selecione impressora de rede. Clique em [Next] (Avançar).
- 8 Quando solicitado, selecione [Printer Emulation] (Emulação da Impressora) (PS, PCL).
- 9 Siga as instruções exibidas na tela.

Instalar o Manual do Usuário

Para instalar o PDF do Manual do Usuário nos PCs conectados à impressora:

- 10 Insira o CD dos drivers fornecido com a impressora na unidade de CD-ROM. O CD será executado automaticamente. (Se não for, clique em [Start] (Iniciar) > {run} (Executar) > [Browse] (Procurar). Localize a unidade de CD-ROM. Clique duas vezes no arquivo [setup.exe]. Clique em [OK].)



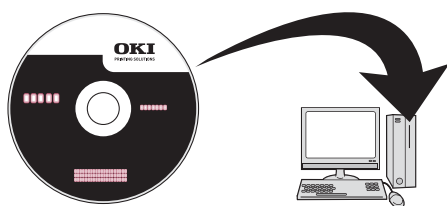
- 11 Selecione o idioma e aceite o contrato de licença.
- 12 Clique em [User Guides] (Guias de Operador).

- 13 Clique em [Install User Guide] (Instalar Guia do Usuário) e siga as instruções exibidas na tela.

Instalação USB em Windows

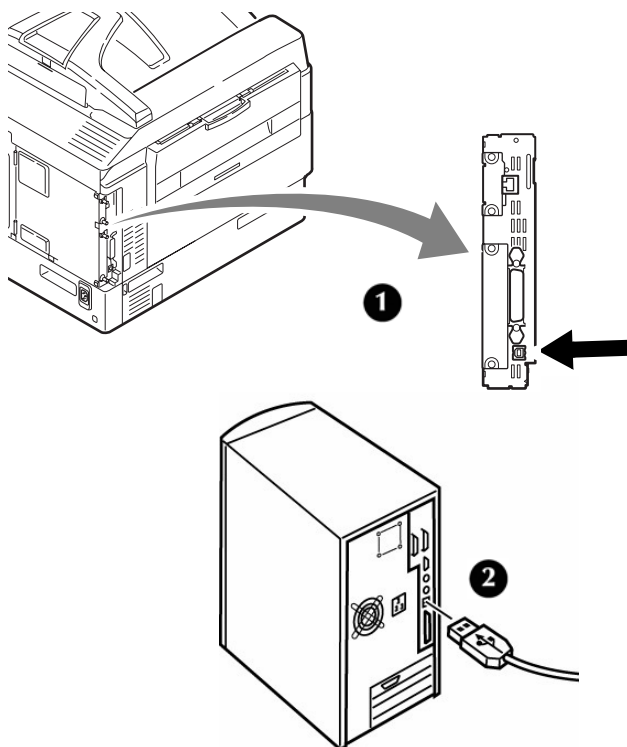
Instale os drivers e utilitários

- 1 Certifique-se de que a impressora esteja ligada.
- 2 Insira o CD dos drivers fornecido com a impressora na unidade de CD-ROM. O CD será executado automaticamente. (Se não for, clique em [Start] (Iniciar) > {run} (Executar) > [Browse] (Procurar). Localize a unidade de CD-ROM. Clique duas vezes no arquivo [setup.exe]. Clique em [OK].)



- 3 Selecione o idioma.
- 4 Aceite o contrato de licença.
- 5 Clique em [Driver Setup] (Configuração do driver).
- 6 Clique em [Install Drivr] (Instalar driver).
- 7 Selecione impressora local.
- 8 Selecione a porta USB. Clique em [Next] (Avançar).
- 9 Selecione [OKI C910] e, em seguida selecione a emulação a ser instalada (PCL, PS).
- 10 Siga as instruções exibidas na tela.

- 11 Quando solicitado, conecte o cabo USB à impressora (1), a seguir ao computador (2).



- 12 Ligue a impressora.

Instalar o Manual do Usuário

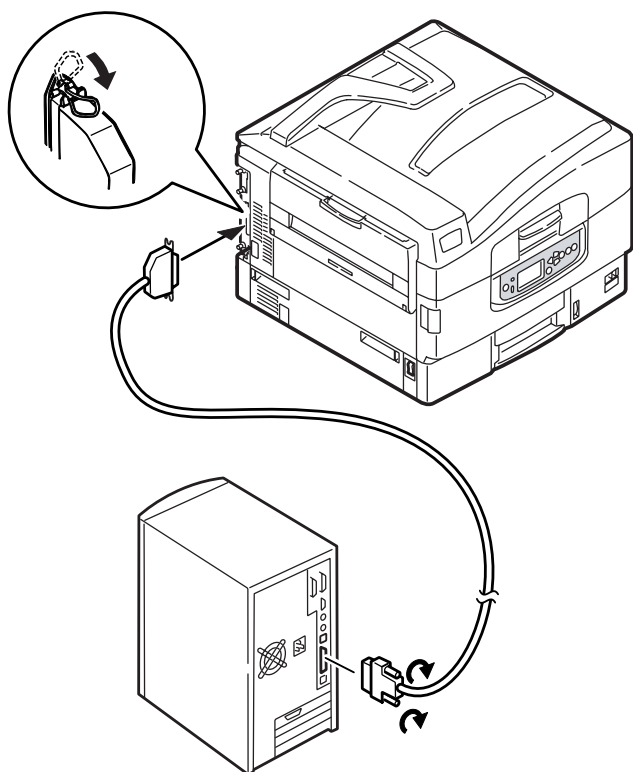
Para instalar também o PDF do Manual do Usuário:

- 1 Com o CD inserido na unidade de CD-ROM do computador, clique em [User Guides] (Guias de Operador).
- 2 Clique em [Install User Guide] (Instalar Guia do Usuário) e siga as instruções exibidas na tela.

Instalação em interface paralela Windows

- 1 Desligue a impressora e o computador.

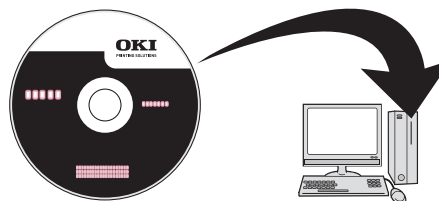
- 2 Conecte um cabo paralelo entre a impressora e o computador.



- 3 Ligue a impressora e o computador.

Instale os drivers e utilitários

- 1 Certifique-se de que a impressora esteja ligada.
- 2 Insira o CD dos drivers fornecido com a impressora na unidade de CD-ROM. O CD será executado automaticamente. (Se não for, clique em [Start] (Iniciar) > {run] (Executar) > [Browse] (Procurar). Localize a unidade de CD-ROM. Clique duas vezes no arquivo [setup.exe]. Clique em [OK].)



- 3 Selecione o idioma.
- 4 Aceite o contrato de licença.
- 5 Clique em [Driver Setup] (Configuração do driver).
- 6 Clique em [Install Driver] (Instalar driver).
- 7 Selecione impressora local.
- 8 Selecione a porta LPT1:. Clique em [Next] (Avançar).
- 9 Selecione [OKI C910] e, em seguida selecione a emulação a ser instalada (PCL, PS).
- 10 Siga as instruções exibidas na tela.

Instalar o Manual do Usuário

Para instalar também o PDF do Manual do Usuário:

- 1 Com o CD inserido na unidade de CD-ROM do computador, clique em [User Guides] (Guias de Operador).
- 2 Clique em [Install User Guide] (Instalar Guia do Usuário) e siga as instruções exibidas na tela.

Instalação em rede Macintosh

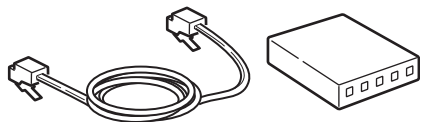
Faça a conexão de rede

Importante!

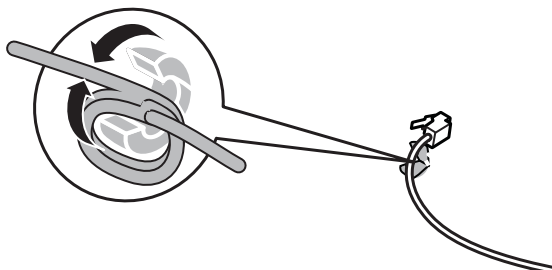
A fim de reduzir o nível de interferência eletromagnética—"ruído" que interfere com televisores ou outros aparelhos domésticos—é preciso colocar o núcleo de ferrita fornecido no cabo da rede conectado à impressora.

Nota

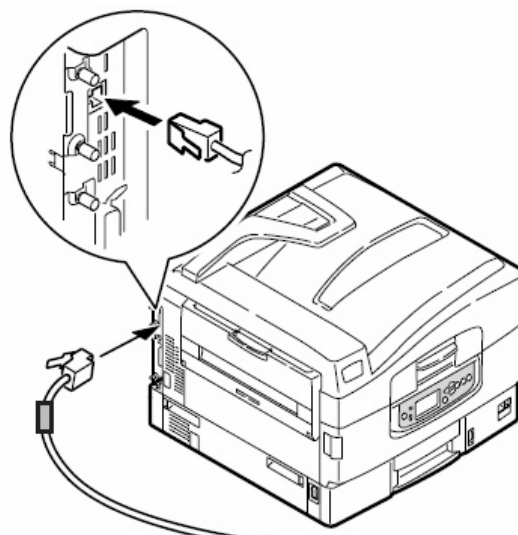
O hub e o cabo Ethernet não são incluídos na unidade.



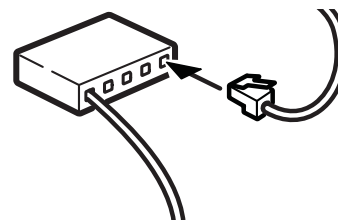
- 1 Desligue a impressora e o computador.
- 2 Enrole o cabo como ilustrado, colocando o núcleo a cerca de 2,5 cm (1 polegada) de distância do conector na impressora.



- 3 Conecte a extremidade do cabo Ethernet com o núcleo de ferrita à impressora.



- 4 Conecte a outra extremidade do cabo Ethernet a um hub adequado.



Instale os drivers e utilitários

- 1 Ligue a impressora e, em seguida, ligue o computador.
- 2 Coloque o CD fornecido com a impressora na unidade de CD-ROM.



- 3 Clique duas vezes no ícone do CD exibido na área de trabalho.
- 4 Abra a pasta MAC.
- 5 Clique duas vezes no ícone do Mac C910 Installer.
O Programa de Instalação será exibido com o driver pré-selecionado.
- 6 Selecione os utilitários que deseja instalar.
- 7 Clique em [Install] (Instalar).

Adição da impressora

- 1 Execute o Print Center (Centro de impressão) ou Print Setup Utility (Utilitário de configuração de impressão).
- 2 Click [Add] (Adicionar).
- 3 Clique em [More Printers] (Mais impressoras).
- 4 Selecione o protocolo: [OKI TCP/IP] ou [Rendezvous/Bonjour] no menu suspenso.
- 5 Digite o endereço IP da impressora
- 6 Selecione o modelo da impressora. Click [Add] (Adicionar).
- 7 Saia do Centro de Impressão ou Utilitário de configuração de impressão.

Instalar o Manual do Usuário

- 1 Com o CD inserido na unidade de CD-ROM do computador, clique duas vezes no ícone do CD na área de trabalho.
- 2 Localize o arquivo C910_UG_bp.pdf.
 - Para carregar: arraste o arquivo PDF para a área de trabalho.
 - Para exibir: clique duas vezes no arquivo.

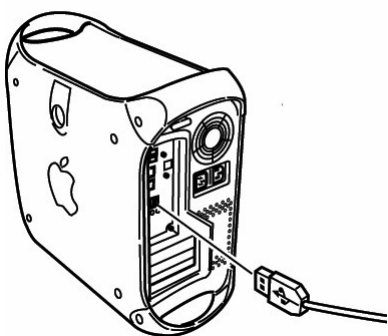
Instalação USB em Macintosh

Conexão do cabo USB

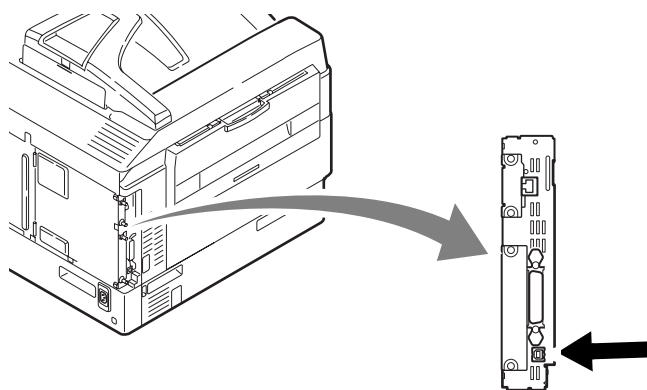
Nota

O funcionamento da impressora não é garantido se outro dispositivo compatível com USB estiver conectado ao mesmo tempo que ela.

1. Desligue a impressora.
2. Conecte o cabo USB à porta USB no computador.



3. Conecte a outra extremidade do cabo à porta USB na impressora.



Instale os drivers e utilitários

- 1 Ligue a impressora e, em seguida, ligue o computador.
- 2 Coloque o CD fornecido com a impressora na unidade de CD-ROM.



- 3 Clique duas vezes no ícone do CD exibido na área de trabalho.
- 4 Abra a pasta MAC.
- 5 Clique duas vezes no ícone do Mac C910 Installer.

O Programa de Instalação será exibido com o driver pré-selecionado.
- 6 Selecione os utilitários que deseja instalar.
- 7 Clique em [Install] (Instalar).

Adição da impressora

- 1 Execute o Print Center (Centro de impressão) ou Print Setup Utility (Utilitário de configuração de impressão).
- 2 Click [Add] (Adicionar).
- 3 Clique em [More Printers] (Mais impressoras).
- 4 Selecione OKI USB no menu suspenso.
- 5 Selecione o modelo da impressora. Click [Add] (Adicionar).
- 6 Saia do Centro de Impressão ou Utilitário de configuração de impressão.

Instalar o Manual do Usuário

- 1** Com o CD inserido na unidade de CD-ROM do computador, clique duas vezes no ícone do CD na área de trabalho.
- 2** Localize o arquivo C910_UG_bp.pdf.
 - Para carregar: arraste o arquivo PDF para a área de trabalho.
 - Para exibir: clique duas vezes no arquivo.

