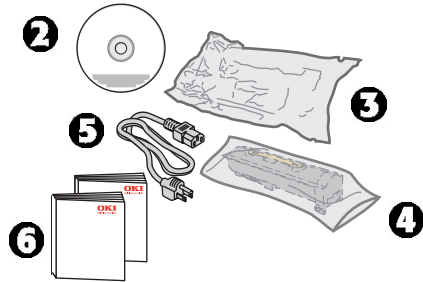
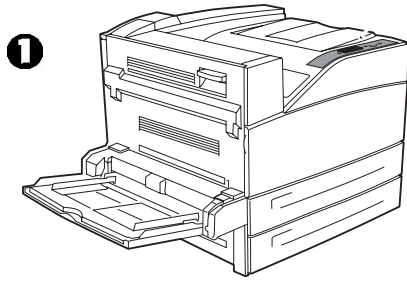


**Setup Guide . . . . . 2**  
**Guide d'installation . . . . . 14**  
**Guía de Instalación . . . . . 27**  
**Guia de Configuração . . . . . 40**



# Check components \_\_\_\_\_



- 1 Printer
- 2 CD
- 3 Image Drum Cartridge
- 4 Toner Cartridge
- 5 Power cable
- 6 Documentation: (this Setup Guide, Handy Reference Guide, Safety, Warranty, and Regulatory Information booklet)

# Installation Overview \_\_\_\_\_

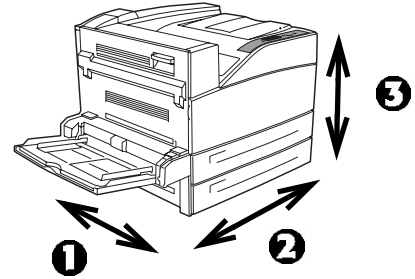
- **Space Requirements** (see page 2)
- **Set up the printer:**
  - Unpack the printer (see page 3)
  - If applicable, install the printer on one of the optional trays (see page 3)
  - Install the image drum and the toner cartridge (see page 3)
  - Load paper (see page 4)
- **Install the options you purchased:**
  - Memory Modules (see page 5)
  - Compact Flash (see page 5)
  - Hard Disk Drive, (see page 5)
  - Tabloid Tray (see page 6)
  - Tandem Tray (see page 6)
  - Duplexer (see page 6)
  - finisher (see page 8)
  - High Capacity Feeder (see page 10)

- **Make Computer Connections** (see page 11)
- **Power up** (see page 12)
- **Print the Demo page** (see page 12)
- **Load software** (see page 12 [Windows] or 13 [Macintosh])

# Space Requirements \_\_\_\_\_

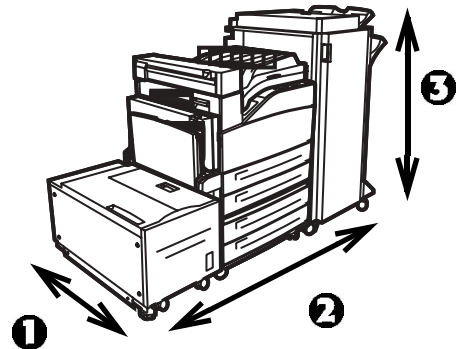
**Note:** Space requirements are approximate.

## Basic Printer



- Depth (1) = 46 inches (118 cm)
- Width (2) = 47 inches (120 cm)
- Height (3) = 27 inches (69 cm)

## Printer with Options

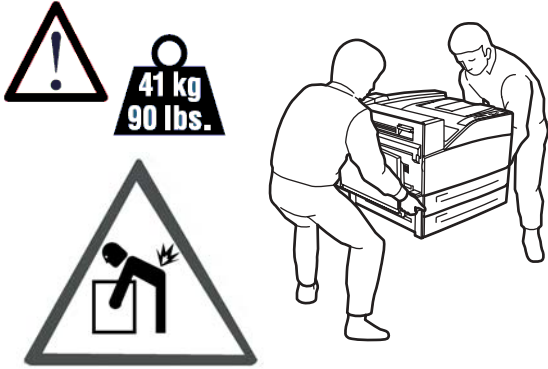


- Depth (1): 46 inches (118 cm)
- Width (2):
  - with High Capacity Feeder (HCF) = 47 inches (118 cm)
  - with finisher = 60 inches (153 cm)
  - with HCF and finisher = 86 inches (218 cm)
- Height (3):
  - with optional tray = 35 inches (89 cm)
  - with finisher = 47 inches (119 cm)

# Set Up the Printer

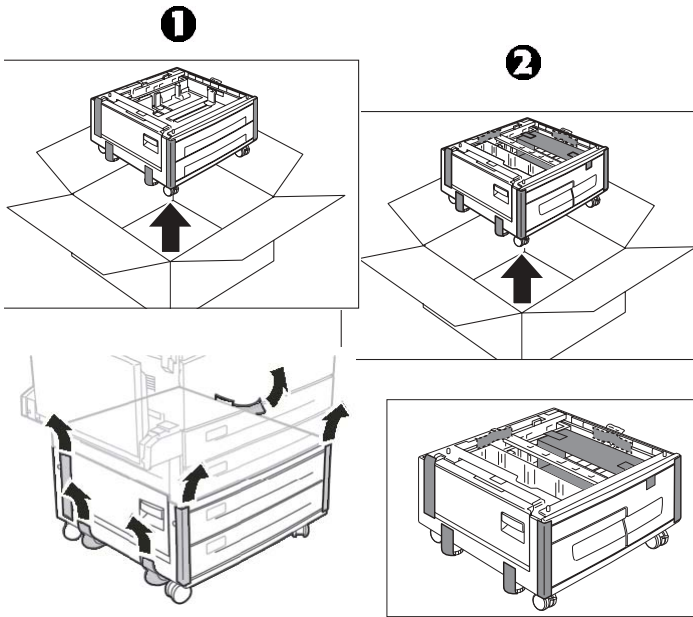
## Unpack the Printer

1. Place the printer and any optional components at your selected location.

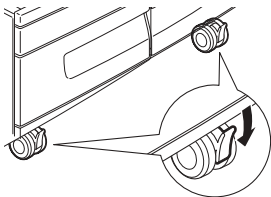


## Place the Printer on the Optional Tray

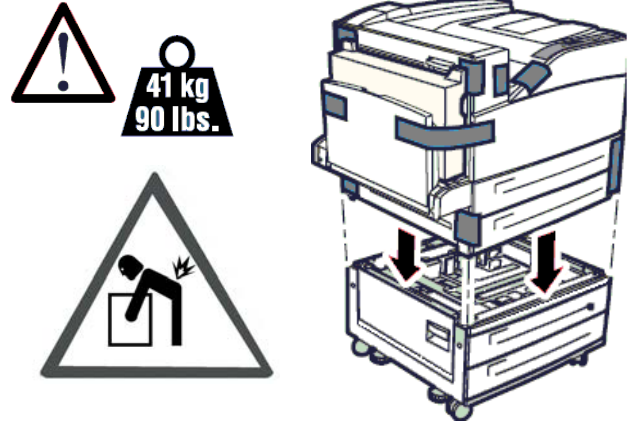
1. If you purchased the optional Tabloid Tray (1) or Tandem Tray (2), unpack the tray and remove the cushioning materials.



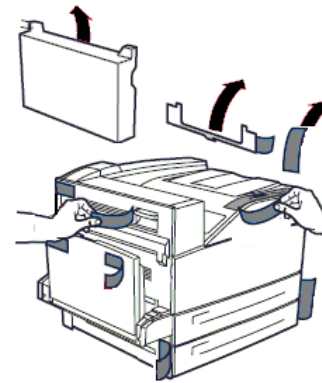
2. Lock the casters on the tray.



3. Align the holes on the bottom of the printer with the positioning guides on the tray, and place the printer on the tray.

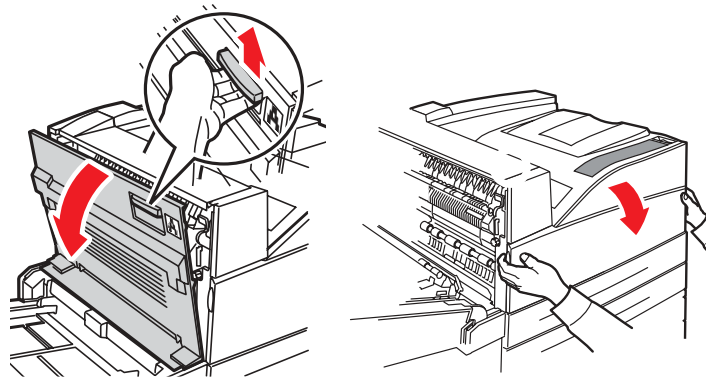


4. Remove the printer packing materials and shipping tape.

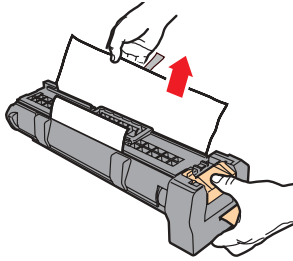


## Install the Image Drum and the Toner Cartridge

1. Open the printer's front cover and side cover.

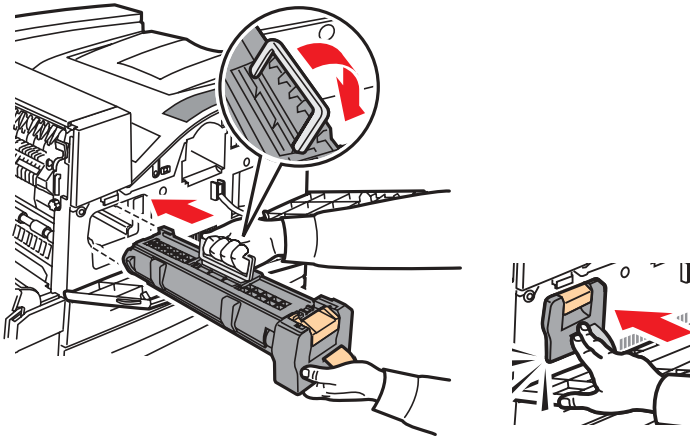


2. Remove the image drum cartridge from the package, then remove the protective sheet.

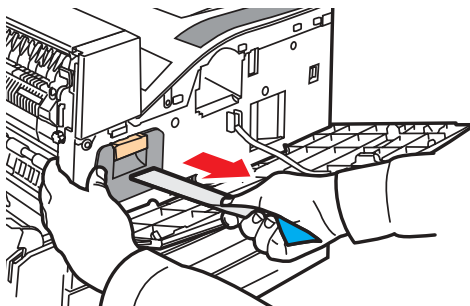


**CAUTION! Avoid contact with internal surfaces. Do not let the drum sit in room light for more than 5 minutes.**

3. Fold the handle (3) down and slide the image drum Cartridge into the printer. Press the cartridge firmly into the printer.



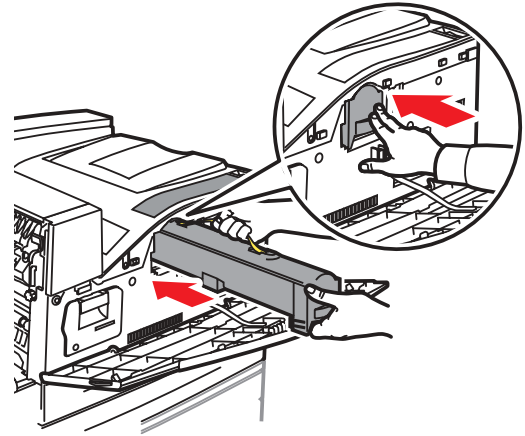
4. Remove and discard the protective strip.



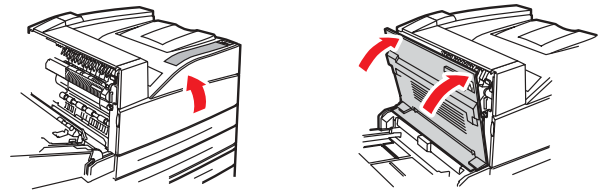
5. Remove the toner cartridge from its packing and shake it from side to side 8 to 10 times to distribute the toner.



6. Slide the toner cartridge into the printer and press it firmly in place.



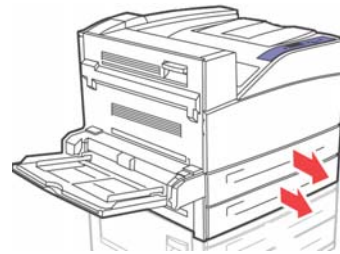
7. Close the printer covers.



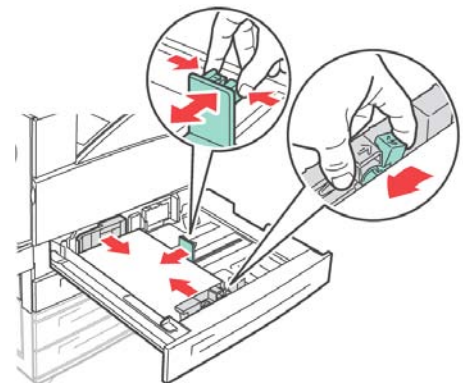
## Load Paper

### Trays 1 and 2

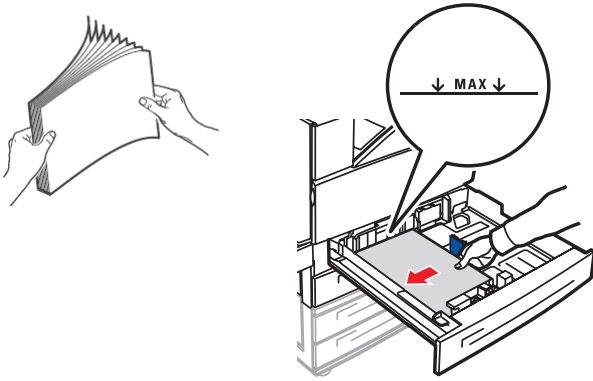
1. Pull out the tray(s).



2. Adjust the paper guides for the paper you are using.



- Fan the paper and add it to the tray, print side up. **Do not exceed the maximum level.**

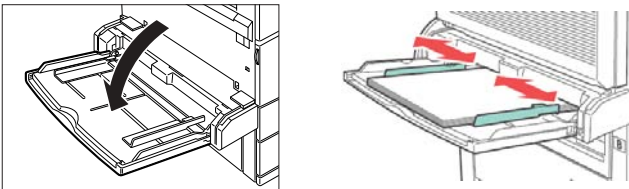


**Caution!** Align the right width guide with the paper width correctly. If the right width guide is not in place, the paper will not be properly fed and may cause a paper jam.

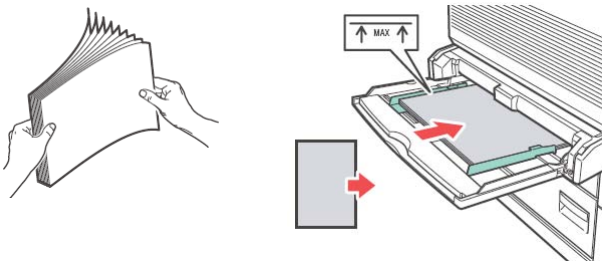
- Close the tray(s).

### MP Tray (Tray 5)

- Lower the MPT tray and adjust the paper guides.



- Fan the paper and add it to the tray, print side down. **Do not exceed the maximum level.**

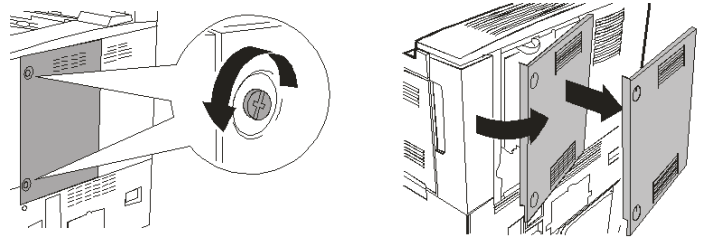


## Install the Options You Purchased

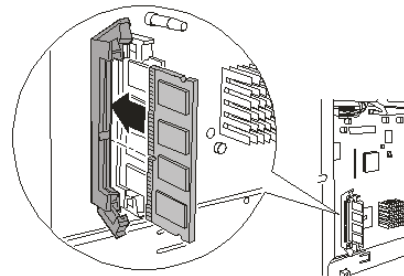
### Install the Optional Memory, Compact Flash, and/or Hard Disk Drive (HDD)

- Make sure the printer is turned off.

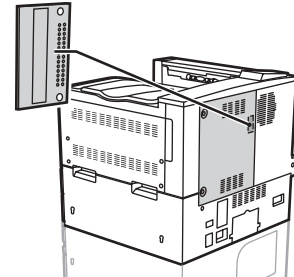
- On the back of the printer, loosen the two screws on the controller assembly cover, then remove the cover.



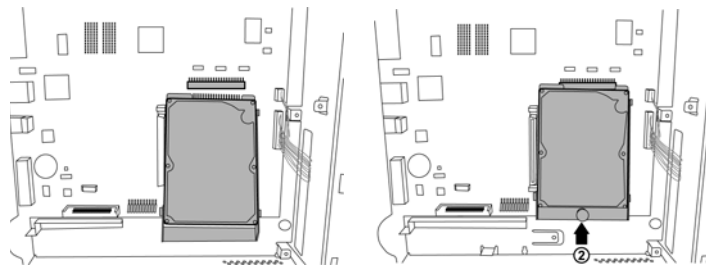
- Memory Modules:** Carefully insert the module in the slot at the lower left, then gently push down on the module until the side braces close to the ends of the RAM module.



- Compact Flash:** In a similar manner to the memory module above, carefully insert the Compact Flash module in the slot on the upper right.



- Hard Disk Drive:** Insert the HDD into the socket, being careful not to damage the fragile pins. Seat the Hard Drive over the locating pins and push firmly to secure the unit.



- Reinstall the cover, securing it with the screws.



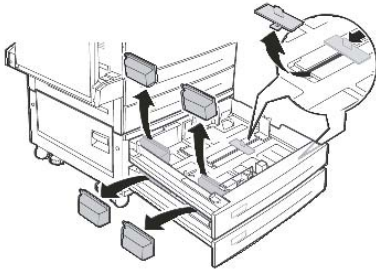
## Finish the Optional Tabloid Tray or Tandem Tray Installation

If you purchased the optional tabloid tray or tandem tray and mounted the printer on it earlier in the installation, you now need to complete the installation.

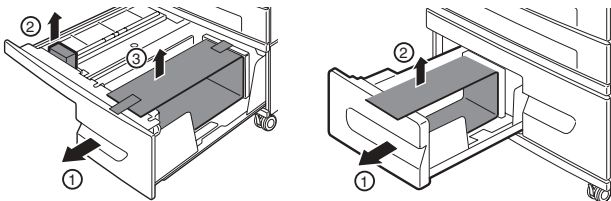
1. Make sure the printer is turned off.

1. Open each drawer, remove the packing materials, and close the drawer.

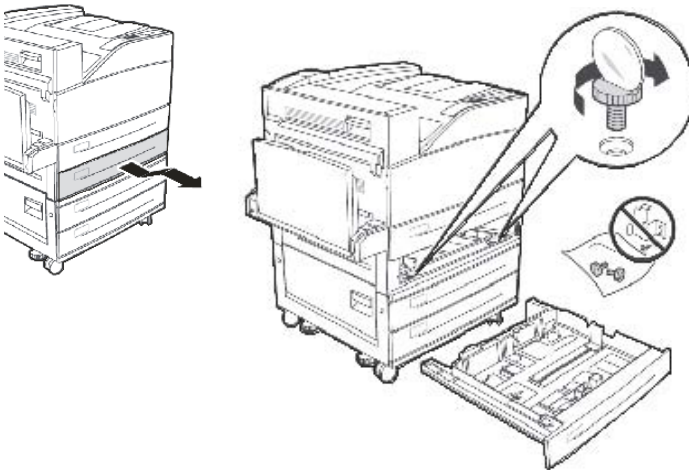
### - Tabloid Tray



### - Tandem, Tray



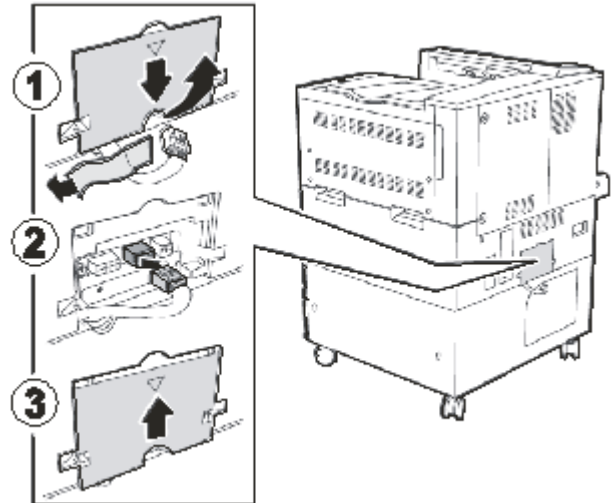
2. Remove drawer 3 from the printer. Insert the two locking screws and turn them clockwise to secure the tray to the printer.



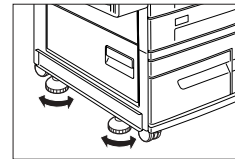
3. Push the drawer back into the printer.

4. Remove the interface access cover (1) from the back of the printer, connect the tray

interface connector (2) and replace the interface access cover (3).



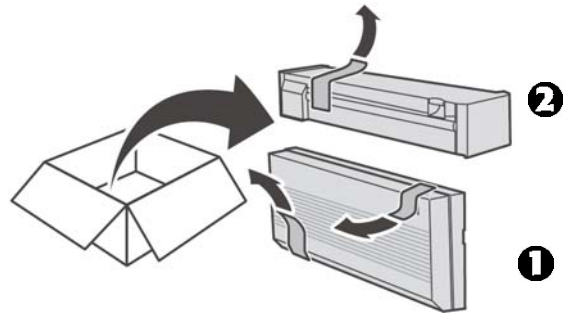
5. Level the unit.



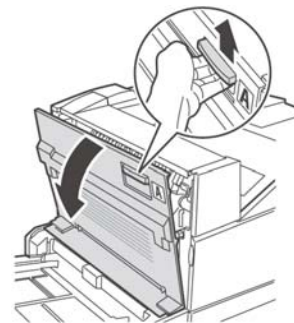
## Install the Optional Duplexer

1. Make sure the printer is turned off.

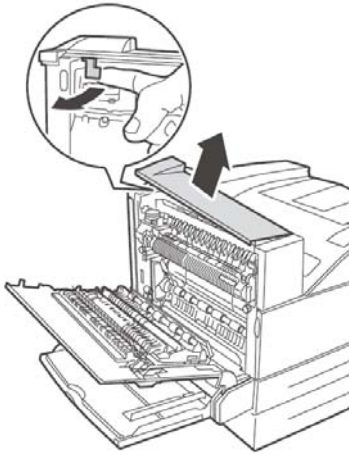
2. Unpack the duplexer (duplex unit [1] and exit module [2]) and remove cushioning materials.



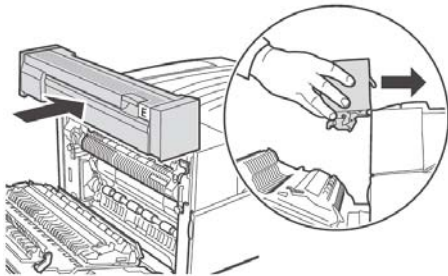
3. Pull the release button to open the front cover.



4. Remove the cover and save for possible reuse.

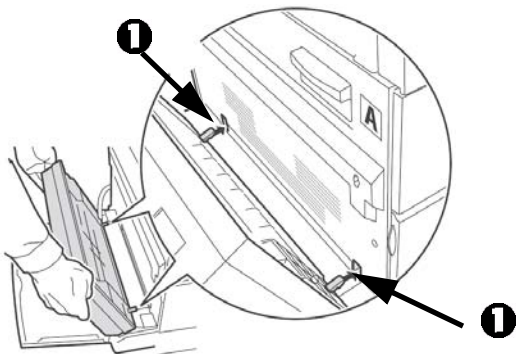


5. Slide the duplex exit module into position.

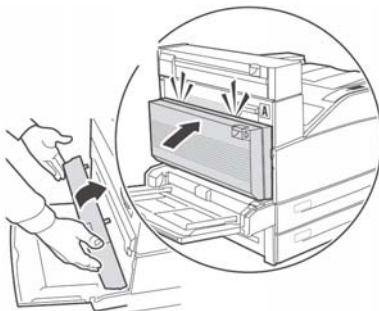


6. Close the front cover.

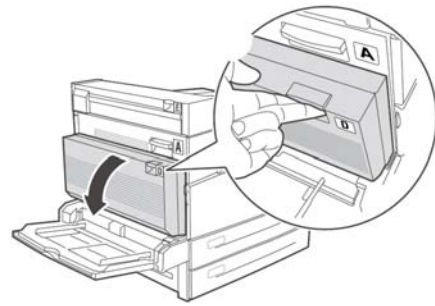
7. Insert the two hooks on the bottom of the duplex unit into the printer's receptors (1).



8. Lift the duplex Unit until the upper hooks are latched in the printer.



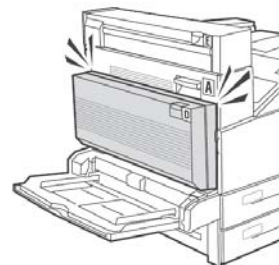
9. Open the duplex unit cover by lifting the latch.



10. Twist the 2 locking screws clockwise to secure the Duplex Unit to the printer.

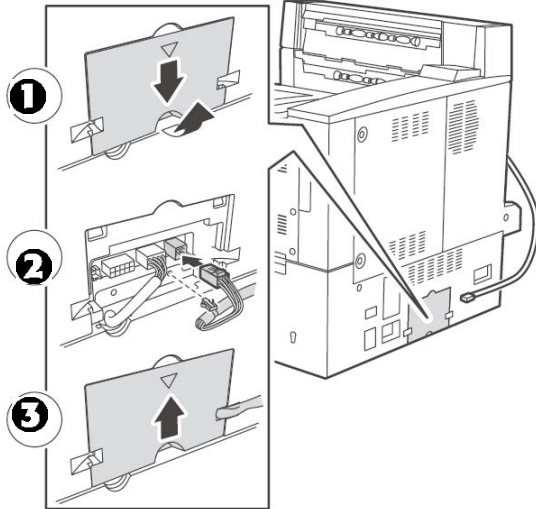


11. Close the duplex unit cover



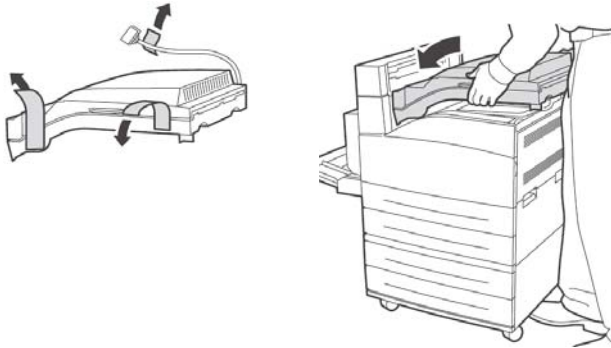
12. Remove the access cover from the back of the printer (1), connect the duplex unit interface

cable (2) and replace the printer access cover (3).

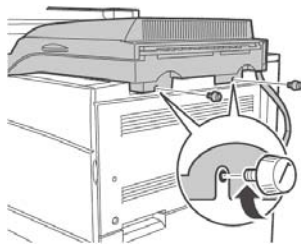


## Install the Optional Finisher

1. Make sure the printer is turned off.
2. Unpack the finisher's horizontal transport unit and position it on top of the printer.



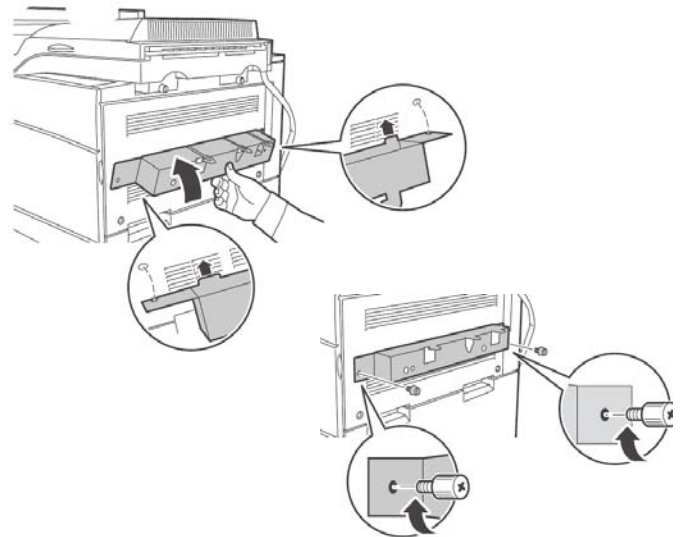
3. Insert the two mounting screws to secure the horizontal transport unit.



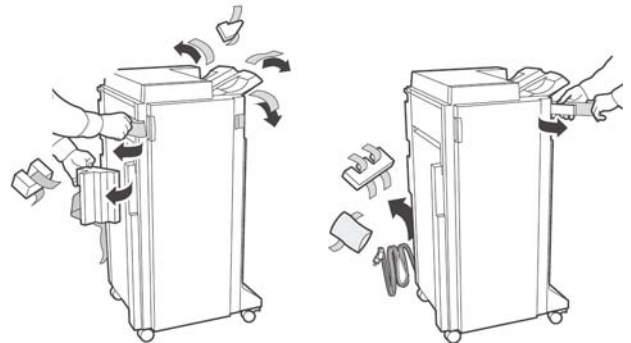
4. If the duplexer is installed, the guides from the printer itself must be moved to the duplexer exit module. The guides are two pieces of rubber and plastic that assist in stacking to the top of the printer. When installing the horizontal transport this

guide needs to be moved from the body of the printer up to the exit module.

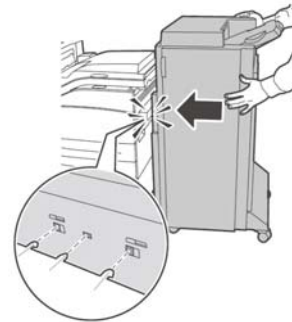
5. Place the mounting bracket in position and insert the two mounting screws to secure it.



6. Remove all the packing materials from the finisher.

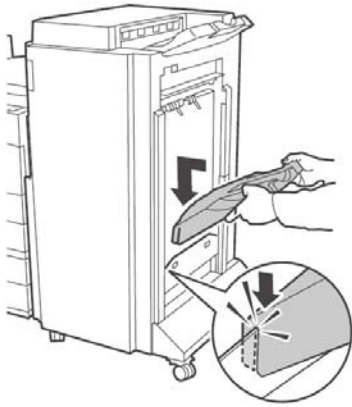


7. Slide the finisher into position engaging the latching hardware.

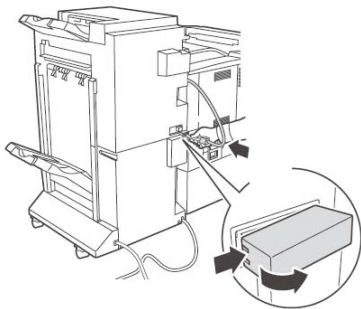




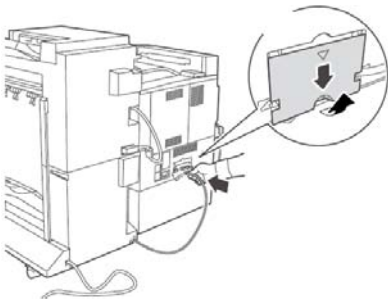
8. Insert the Stacker Lower catch tray.



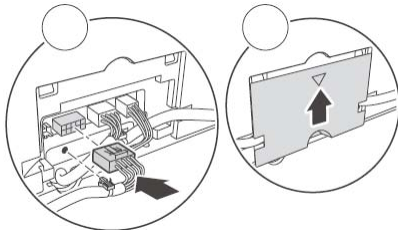
9. Remove the access cover and plug in the finisher interface cable.



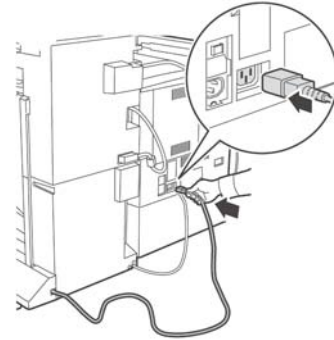
10. Remove the printer interface cover.



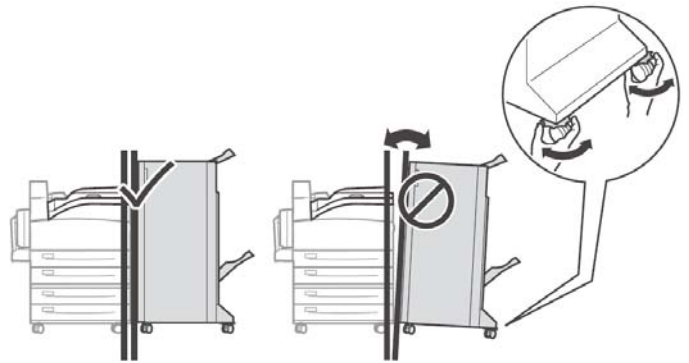
11. Connect the interface connector and replace the cover.



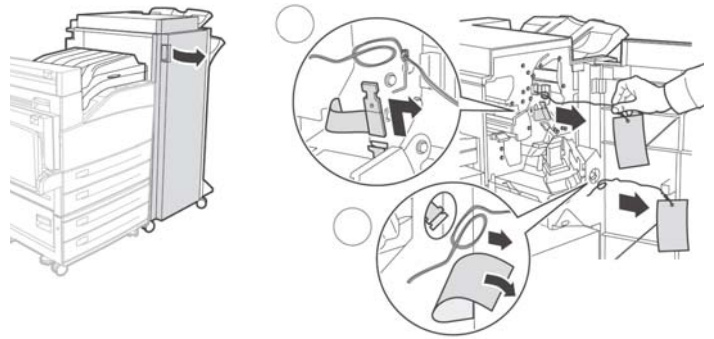
12. Connect finisher power cord to the printer accessory power connection.



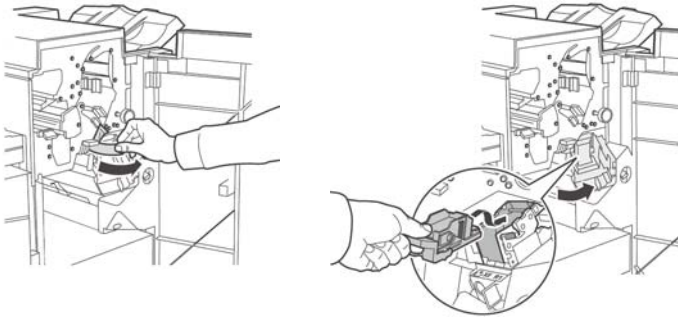
13. Level the finisher making it parallel to the printer.



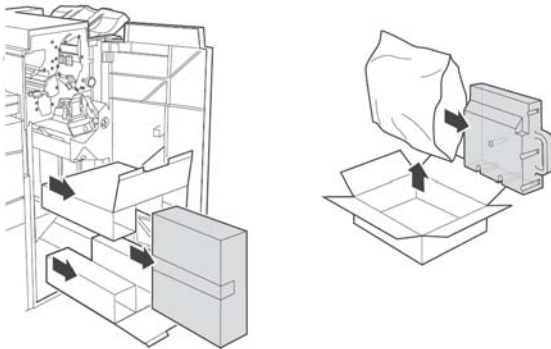
14. Open the finisher door and remove the internal tags and shipping brackets.



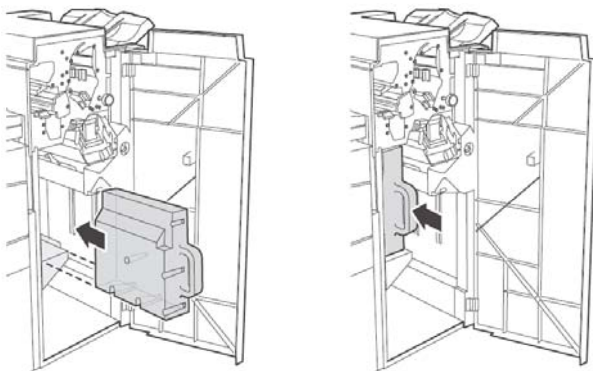
15. Move the catch to the right and insert the staple module.



16. Unpack the paper punch waste container.

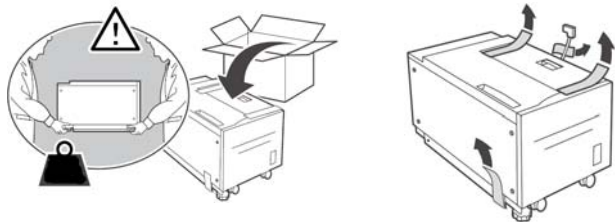


17. Insert the punch waste container and fully seat it. Close the finisher door.

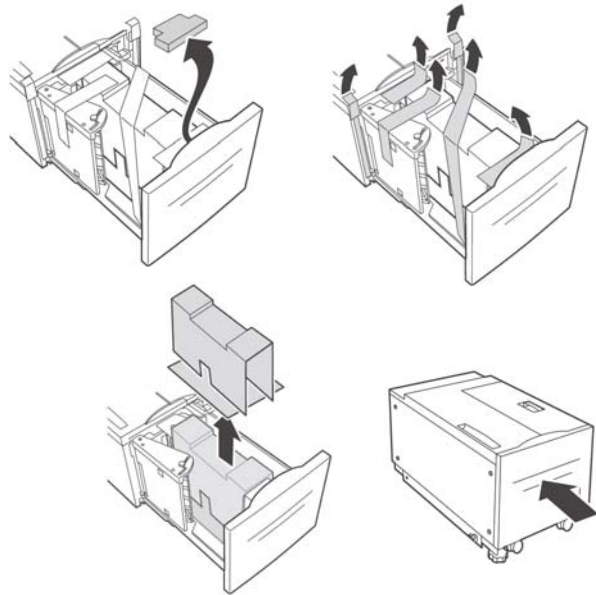


## Install the Optional High Capacity Feeder (HCF)

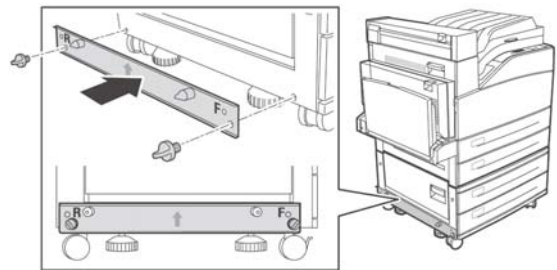
1. Make sure the printer is turned off.
2. Unpack the HCF and remove the cushioning materials.



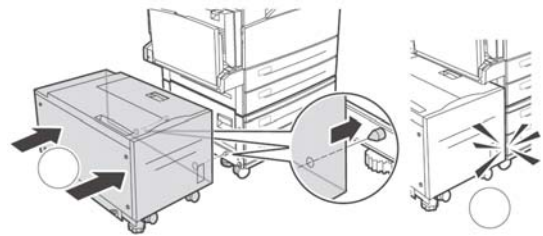
3. Slide the drawer out and remove the packing material, then close the drawer.



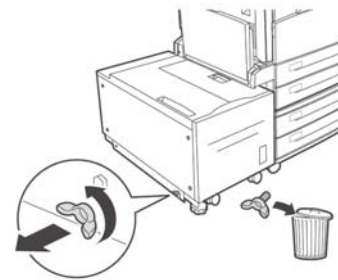
4. Install the mounting bracket.



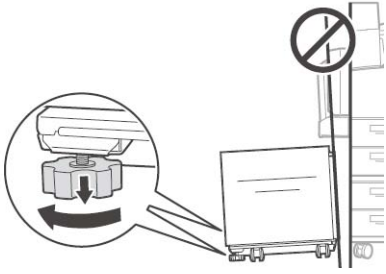
5. Slide the HCF to the mounting plate guiding it on the locating pin until it latches.



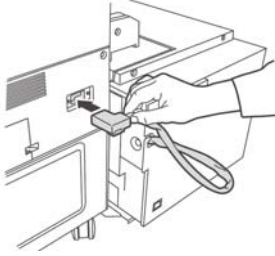
6. Remove the shipping hardware and discard.



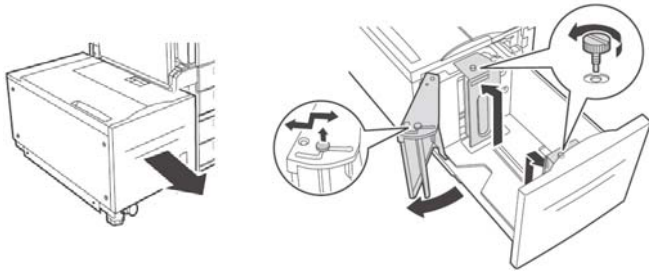
7. Adjust the feet on the feeder assembly to set the feeder position parallel to the printer.



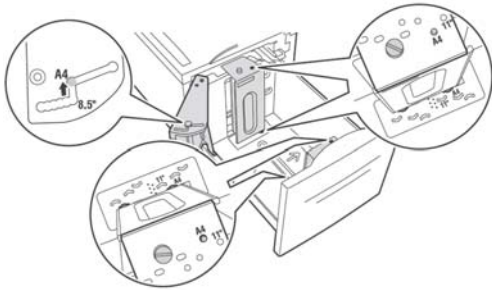
8. Connect the feeder power cord into the printer accessory outlet.



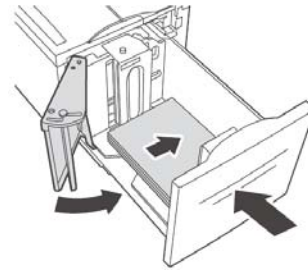
9. Slide the drawer out of the feeder and remove the shipping screws.



10. Adjust the feeder paper size guides.

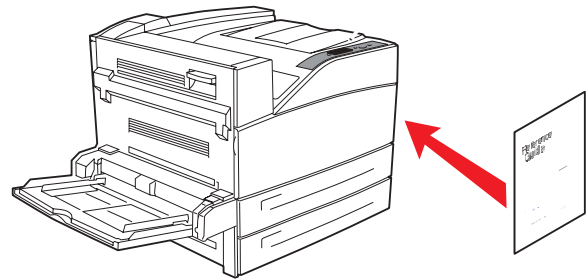


11. Load the paper tray.



## Attach the Handy Reference Guide

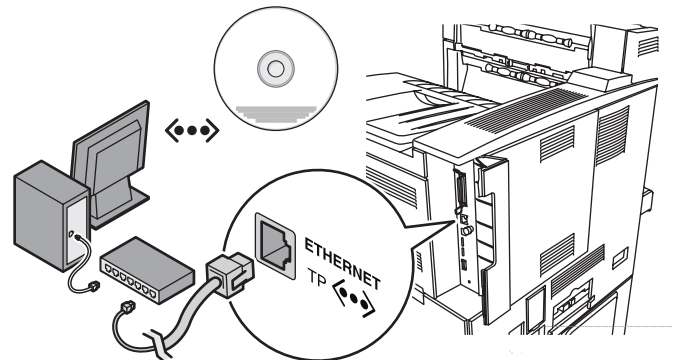
Remove the backing from the Velcro® strip on the back of the Handy Reference Guide and mount it on the side of the printer.



## Computer Connection

### Network Connection

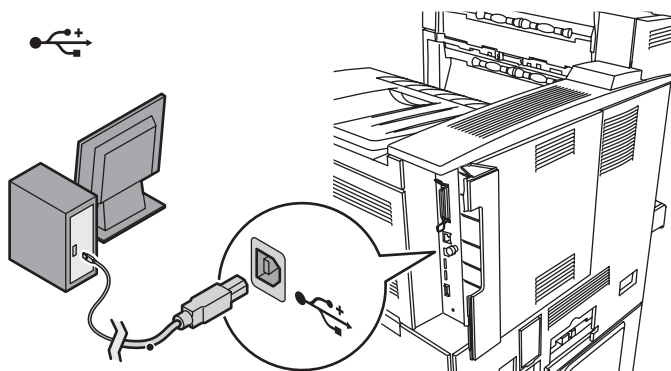
Connect the Ethernet cable between the printer and the Ethernet hub or router.



### USB Connection

**Note:** Install the printer software BEFORE connecting the USB cable: see page 12 and page 13.

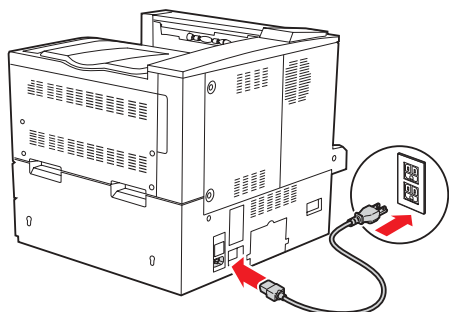
Connect the USB cable to the USB port on the computer, then to the USB port on the printer.



## Power Up

**WARNING!** Be sure to use only the power cable supplied with your printer! Use of a power cord not supplied with this printer, or an extension cord, could be a safety hazard.

1. Insert the power cable. Plug the cable into a suitable grounded outlet.



2. Turn the printer on.

**Caution!** Do not connect this product to an uninterruptible power supply (UPS). For more information, please contact Oki Data at 1-800-OKIDATA.

## Print the Demo Page

1. Press the **MENU** key.
2. Press the **NEXT** (▲) key until the display shows INFORMATION MENU.
3. Press the **SELECT** key to enter the menu.
4. Press the **NEXT** (5) key until the display shows PRINT DEMO.
5. Press **SELECT**. The demo page prints.

## Load Software

### Windows Network

**Note:** For more information see the Network section in the User Guide.

### Print the Configuration Sheets

1. Turn the Printer ON and wait for the print server status light to stop blinking.
2. Press the INFO button on the Operator Panel to print the Network Information pages. Keep these sheets handy: they contain information you need to set up the printer on your network.

### Install the Printer Driver

1. Insert the CD in the CD-ROM drive. The CD will autorun. *If it doesn't, click Start → Run → Browse. Browse to your CD-ROM drive, double-click Install.exe. Click OK.*
2. Select your language.
3. Accept the license agreement.
4. The installer screen appears.
5. Click **Install Driver**.
6. Select network printer.
7. Select TCP/IP.
8. Enter the IP address.
9. Follow the on-screen instructions.

### Test the Driver Install

1. To make sure the printer driver is correctly installed, print a page from any program.
2. Reinstall the driver if the installation failed.

### Using the Web Browser (Optional)

Use your web browser to configure print server and printer menu settings on an embedded web page.

**Note:** For more details, see the User's Guide on the CD supplied with the printer.

1. Activate your web browser (Microsoft Explorer®/™, Mozilla® Firefox®, Netscape Navigator™ 4.4 or higher).
2. Enter the IP Address for the printer. Find the address on the network Configuration Sheet (see page 12).
3. Click on a tab to see a particular category.

### Utilities and Downloads

**Note:** You must be connected to the internet to download utilities.

1. Select Optional Utilities or Internet Downloads from the CD installer menu bar.
2. Click on the utilities and downloads you want to install and follow the instructions.

## Windows USB

### Install the Printer Driver

**Note:** Install the driver before connecting the USB cable to the printer.

1. Turn the printer OFF.
2. Insert the CD, in the CD-ROM drive. The CD will autorun. *If it doesn't, click Start → Run → Browse. Browse to your CD-ROM drive, double-click Setup. Click OK.*
3. Select your language. Accept the license agreement.
4. Click Install Driver.
5. Select local printer. Follow the on-screen instructions.
6. When prompted, select printer emulation (PS or PCL).
7. When prompted, connect the USB cable and switch the printer ON.

### Test the Driver Install

To make sure the printer driver is correctly installed, print a page from any program. Reinstall the driver if the installation failed.

### Install the Utilities and Downloads

**Note:** You must be connected to the internet to download utilities.

1. Select Optional Utilities or Internet Downloads from the CD installer menu bar.
2. Click the utilities and downloads you want to install and follow the instructions.

## Windows: Activate the Optional Accessories You Have Installed

**Note:** If your printer has a Duplex Unit, Trays or other accessories installed, they must be activated in the printer driver.

1. Click Start → Settings → Printers (and Faxes) on the Windows taskbar.
2. Right click the printer name, then click Properties.
3. Click the Device Options tab.
4. Click Get Information From Printer to activate all the installed options.
5. Click Apply. Click OK.

## Macintosh

### Install the Printer Driver

1. Turn on the printer, then turn on the computer.
2. Place the CD supplied with the printer in the CD-ROM drive.
3. Double-click the CD icon that appears on the desktop.
4. Open the MAC folder.
5. Double-click the Mac B930n Installer icon. The Installer displays with the driver pre-selected.
6. Select any utilities you want to install. Click Install.

### Add the Printer

1. Run the Print Center or Print Setup Utility. Click Add.
2. Click More Printers.
3. Select OKI USB, OKI TCP/IP, or Rendezvous/Bonjour from the drop-down menu.

**Note:** If you are using USB, select OKI USB and disregard step 4.

4. Enter the printer's IP address.
5. Select the printer model. Click Add.
6. Quit the Print Center.

### Use the Web Page to Configure the Printer

If you are working in a TCP/IP-enabled environment, you can use a web browser to display the printer or job printing status and to change the settings.

Among the printer settings that are made on the control panel, settings for the system and network ports can be configured under [Printer], [Network] and [Maintenance] on the web page.

**Note:** The web page facility is only available when the printer is connected to the network.

**Note:** Refer to the Network section in the User's Guide if the web page does not appear after carrying out steps 1 and 2:

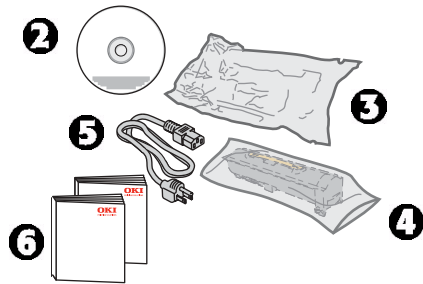
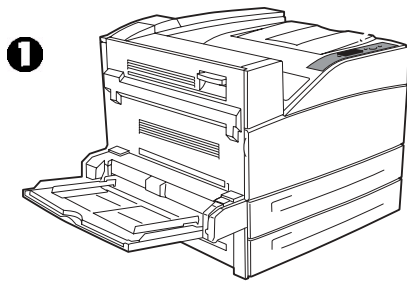
1. Boot your computer, and start the web browser.
2. Enter the printer's IP address or URL in the address input column on the web browser and press the <Enter> key.

## Service and Support

- Visit our multilingual web site: [www.okiprintingsolutions.com](http://www.okiprintingsolutions.com)
- Call 1-800-654-3282



## Vérifiez les composants : \_\_\_



- 1 Imprimante
- 2 CD
- 3 Cartouche du tambour d'impression
- 4 Cartouche de toner
- 5 Cordon d'alimentation
- 6 Documentation: (cette guide d'installation, guide de référence, et guide de référence, de garantie et de réglementation)

## Aperçu de l'installation \_\_\_\_\_

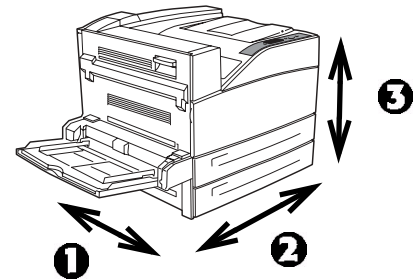
- Exigences d'espace (consultez la page )
- Installation de l'imprimante :
  - Déballer l'imprimante (consultez la page )
  - Si applicable, installez l'imprimante dans l'un des bacs optionnels (consultez la page )
  - Installez le tambour et le toner et la cartouche de toner (consultez la page )
  - Chargement du papier (consultez la page )
- Installez les options achetées :
  - Mémoire (consultez le oage 17)
  - Compact Flash (consultez le oage 17)
  - Disque dur,(consultez le oage 17)
  - bac format tabloïde (consultez le oage 18)
  - Bac double (consultez le oage 18)
  - Unité duplex (recto verso) (consultez le oage 18)
  - Unité de finition (consultez le oage 20)

- Alimentateur haute capacité (consultez le oage 22)
- Brancher l'imprimante (consultez le oage 24)
- Mise sous tension (consultez le oage 24)
- Impression d'une page de démonstration (consultez le oage 24)
- Chargement des logiciels (consultez le oage 25 [Windows] or 26 [Macintosh])

## Exigences d'espace \_\_\_\_\_

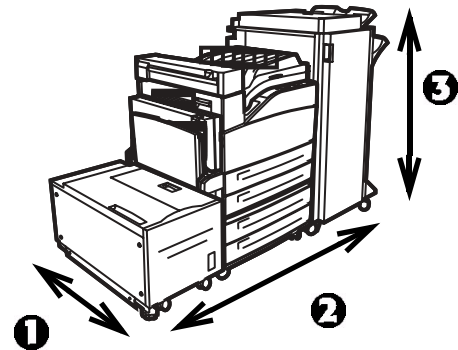
**Note:** Exigences d'espace sont approximatives.

### L'imprimante de base



- Profondeur (1) = 46 po (118 cm)
- Largeur (2) = 47 (120 cm)
- Hauteur (3) = 27 po (69 cm)

### Imprimante avec options

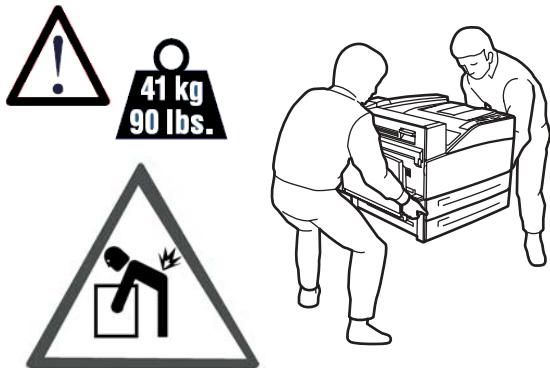


- Profondeur (1): 46 po (118 cm)
- Largeur (2):
  - avec alimentateur haute capacité (HCF) = 47 po (118 cm)
  - avec unité de finition = 60 po (153 cm)
  - avec HCF et unité de finition = 86 po (218 cm)
- Hauteur (3):
  - avec bac optionnel = 35 po (89 cm)
  - avec unité de finition = 47 po (119 cm)

# Installation de l'imprimante

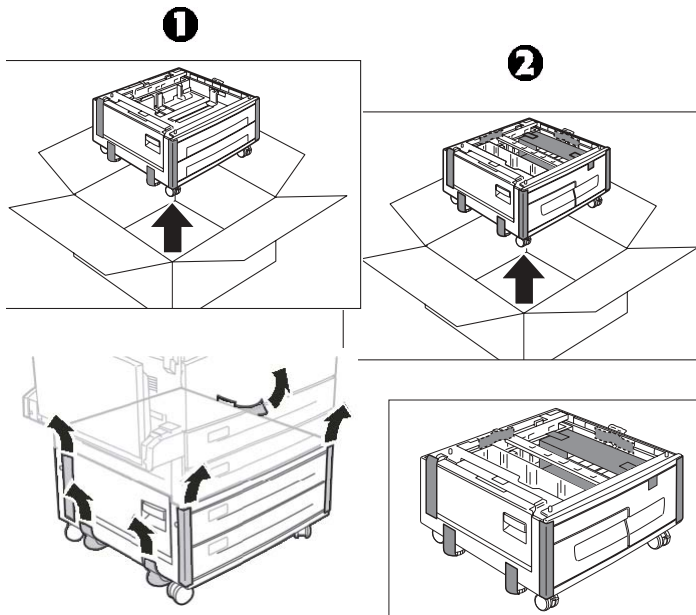
## Déballer l'imprimante

1. Placez l'imprimante et tous les composants optionnels dans votre emplacement sélectionné.

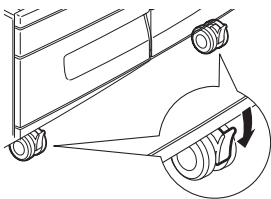


## Placez l'imprimante sur le bac optionnel

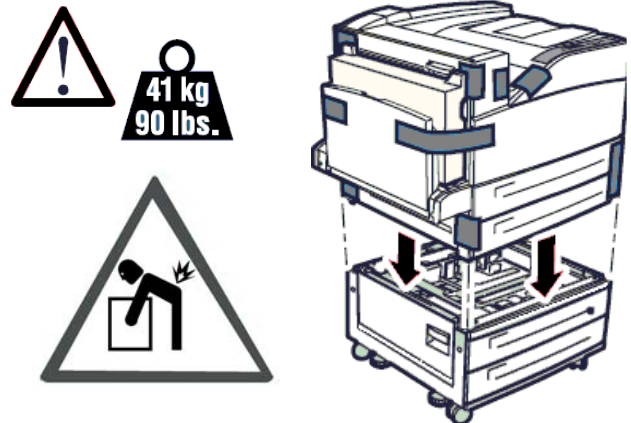
1. Si vous avez acheté le bac de format tabloïde (1) ou le bac tandem (2), déballer l'alimentateur de papier et enlever les matériaux de protection.



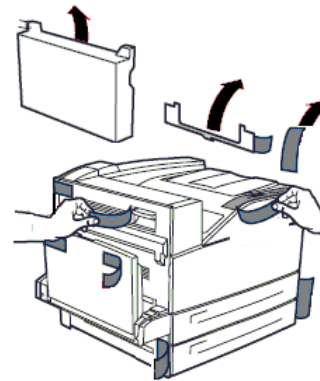
2. Verrouillez les roulettes sur le bac.



3. Alignez les trous sous l'imprimante laser sur les quatre bossages de positionnement de l'alimentateur de papier et déposez l'imprimante sur l'alimentateur.

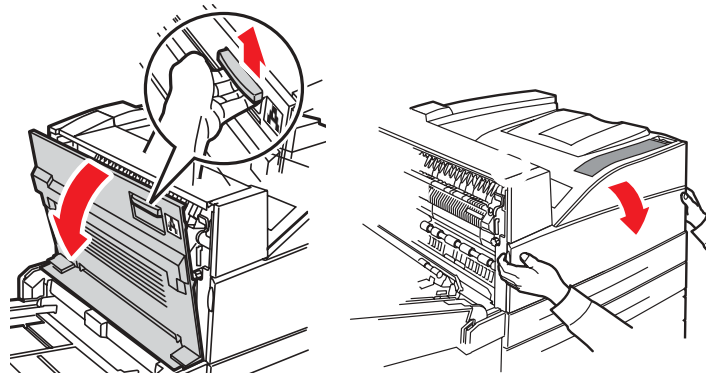


4. Retirez les matériaux d'emballage le ruban d'expédition.

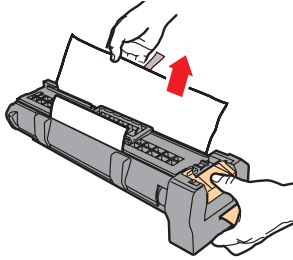


## Installez la cartouche tambour et la cartouche de toner

1. Ouvrez les couvercles avant et latéral de l'imprimante.

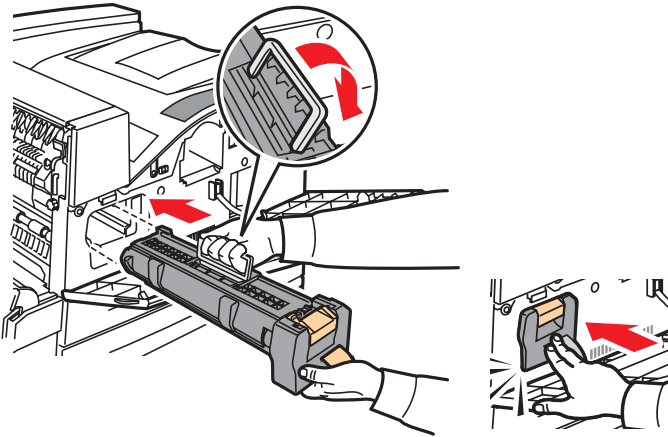


- Sortez la cartouche tambour de son emballage. Retirez la feuille protectrice de la cartouche tambour.

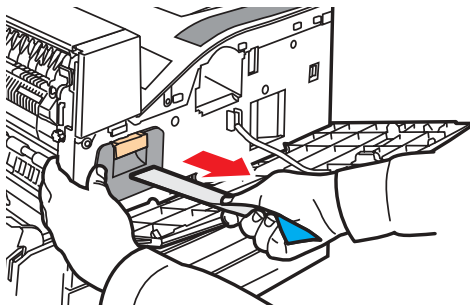


**MISE EN GARDE! Pour éviter de renverser le toner, maintenez le tambour d'image orienté vers le haut. N'exposez pas ces composants à la lumière pendant plus de cinq minutes.**

- Rabattez le levier vers le bas et insérez la cartouche tambour dans l'imprimante. Pressez la cartouche fermement en place.

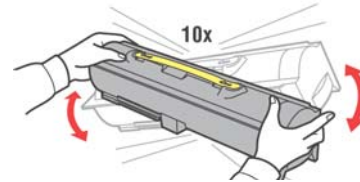


- Retirez et jetez la bande protectrice.

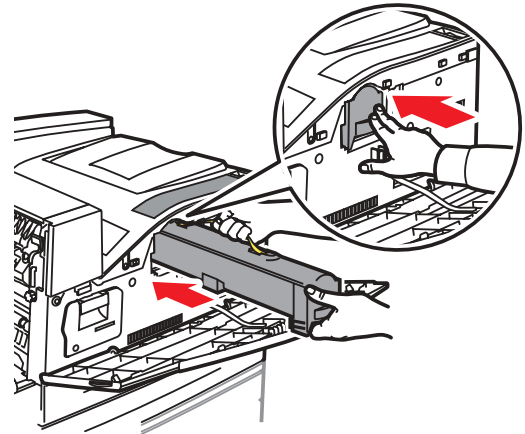


- Sortez la cartouche de toner de son emballage. Retirez la cartouche de toner de

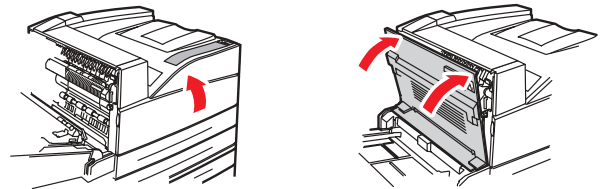
l'emballage et agitez-la 8 ou 10 fois tel qu'illustré.



- Entrez la cartouche de toner dans l'imprimante et fixez-la bien en place.



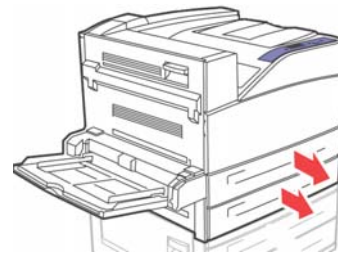
- Fermez les couvercles de l'imprimante.



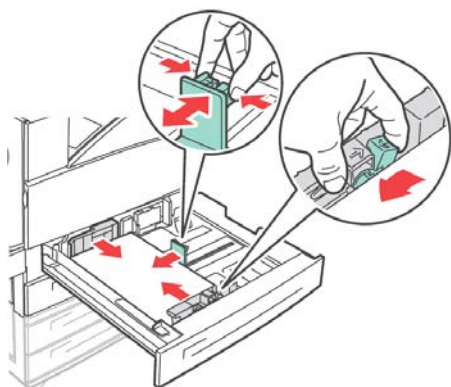
## Chargement du papier

### Bacss 1 et 2

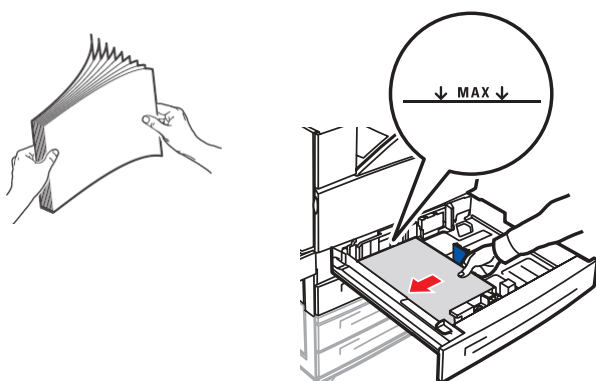
- Sortez le ou les bacs de papier.



- Réglez les guides de papier au format du papier.



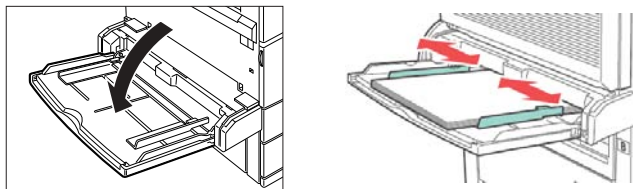
- Aérez le papier et placez et chargez du papier dans le bac, côté d'impression *vers le haut*. **Ne chargez pas de papier au-delà de la ligne de chargement maximum.**



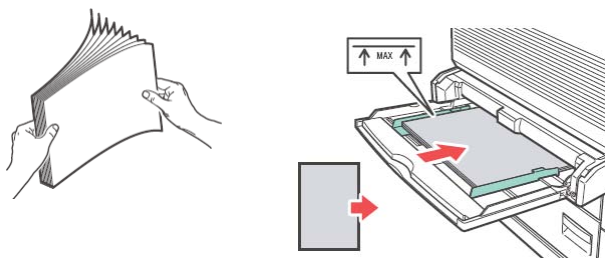
- Ajustez les guides du papier au format du papier utilisé.

### Bac MF (Bac 5)

- Abaissez le le bac MF. Réglez les guides papier selon la taille du papier.



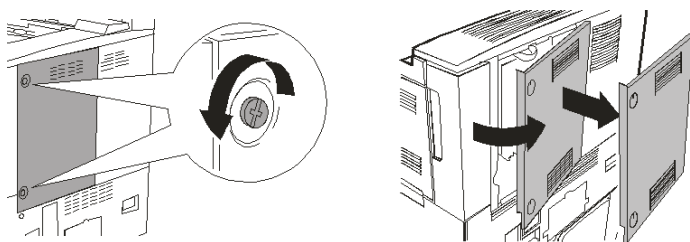
- Aérez le papier et chargez du papier dans le bac, côté d'impression *vers le bas*. **Ne chargez pas de papier au-delà de la ligne de chargement maximum.**



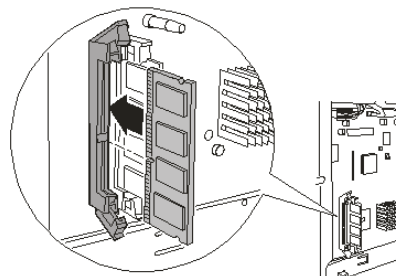
## Installez les options achetées

### Installez le module de mémoire, compact flash, et/ou disque dur (HDD)

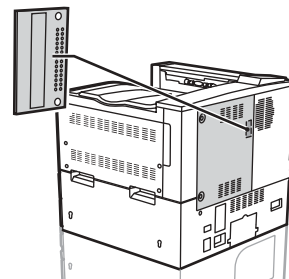
- Assurez-vous que l'imprimante est hors tension.
- À l'arrière de l'imprimante, tournez les vis de l'assemblage du contrôleur dans le sens horaire jusqu'à ce qu'elles soient desserrées et tirez le capot vers vous pour l'enlever de l'imprimante.



- Modules de mémoire:** Insérez soigneusement un module de mémoire DDR compatible avec votre imprimante dans la fente comme illustré ci-dessous. Lorsqu'il est adéquatement assis, poussez délicatement sur le module jusqu'à ce que les supports latéraux se referment sur le module de mémoire.

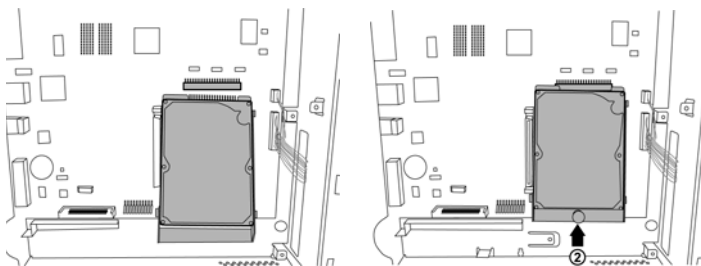


- Compact Flash:** De manière similaire au module mémoire ci-dessus, insérez soigneusement le module Compact Flash dans le logement du coin supérieur droit.





5. **Le disque dur** : Insérez soigneusement le disque dur dans la douille en prenant soin de ne pas endommager les broches fragiles. Assoyez le disque dur sur les goujons d'alignement et poussez-le solidement pour bien l'assoir.

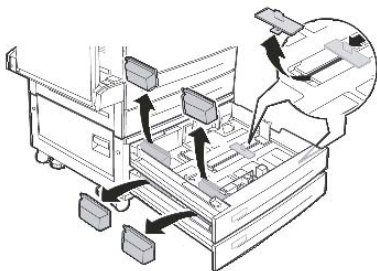


6. Remettez les capots latéraux en place dans l'ordre inverse.

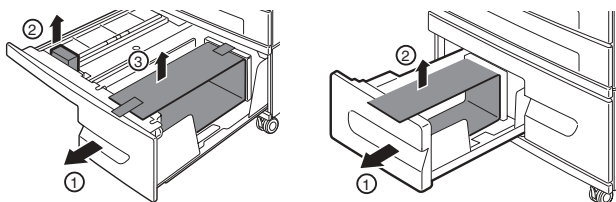
## Terminez l'installation du bac de format tabloïde ou tandem

Si vous avez acheté le bac de format tabloïde ou tandem en option et y avez déjà monté l'imprimante lors de l'installation, vous devez à présent terminer l'installation.

1. Assurez-vous que l'imprimante est hors tension.
2. Retirez les 2 bacs. Retirez tous les matériaux de protection des deux bacs.
  - **Bac de format tabloïde**

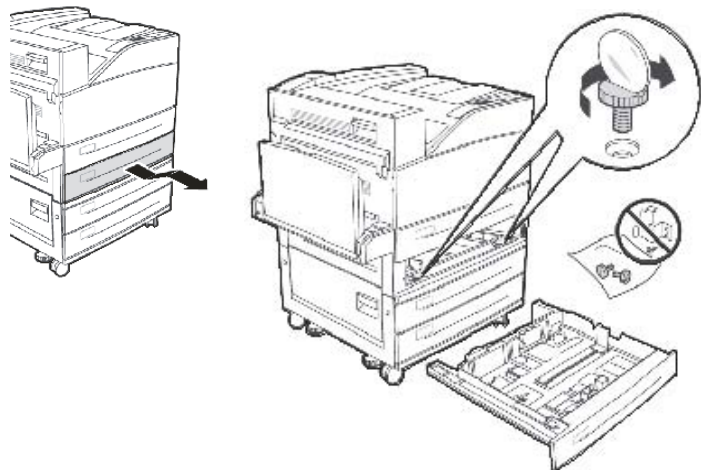


### - Bac de format tandem

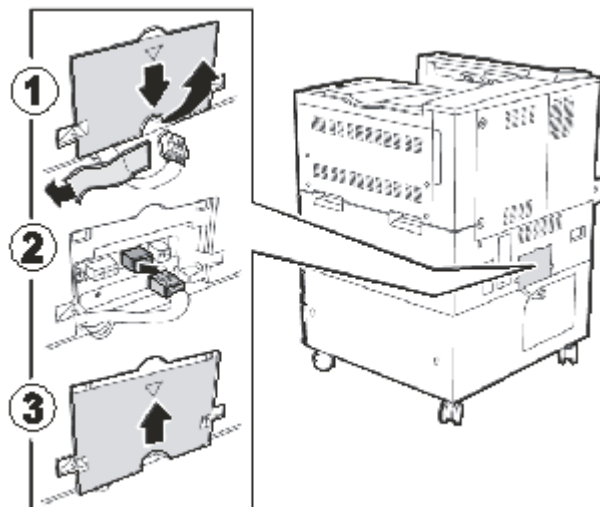


3. Remettez les deux bacs dans l'alimentateur de papier
4. Retirez le bac 3. Insérez les 2 vis de verrouillage et tournez-les dans le sens

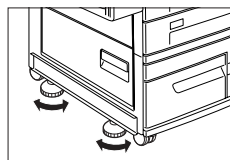
horaire afin de fixer l'imprimante sur l'alimentateur de papier.



5. Remettez le bac 3 dans l'imprimante.
6. Enlevez le capot du panneau d'interface de l'imprimante (1), branchez le connecteur d'interface de l'alimentateur de 1000 feuilles (2) et remettez le capot du panneau d'interface (3).



7. Verrouillez les roulettes sur le bac.

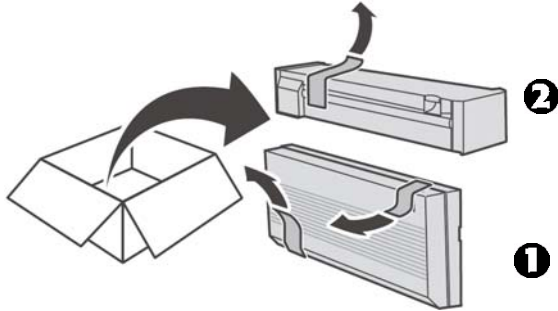


## Installez l'unité duplex optionnelle

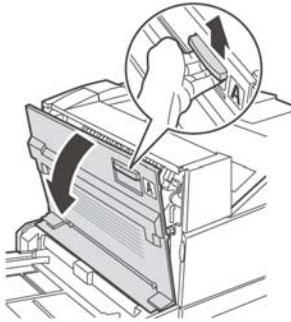
1. Assurez-vous que l'imprimante est hors tension.



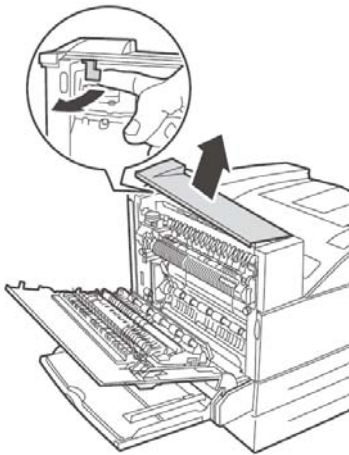
2. Déballez le module recto verso (unité duplex [1] et le module de sortie [2]) et enlevez les matériaux de protection.



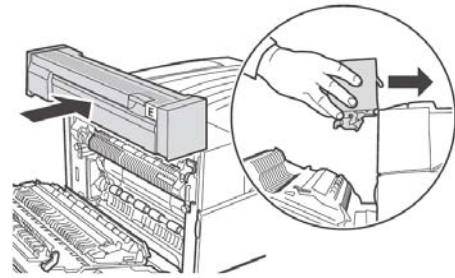
3. Ouvrez la port.



4. Enlevez le capot et conservez-le pour utilisation future.

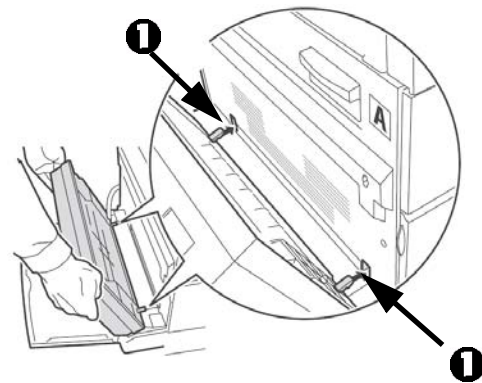


5. Glissez le module de sortie en place.

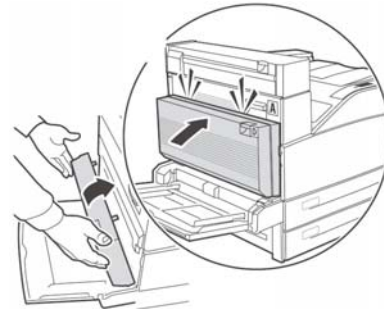


6. Fermez la porte.

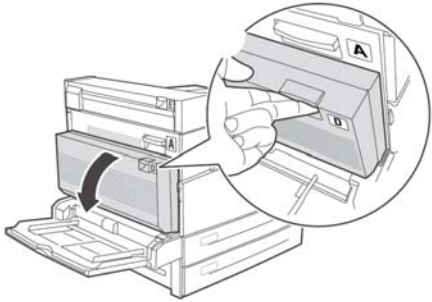
7. Mettez le module recto verso en place en insérant les 2 crochets sous le module dans les emplacements indiqués sur l'imprimante (1).



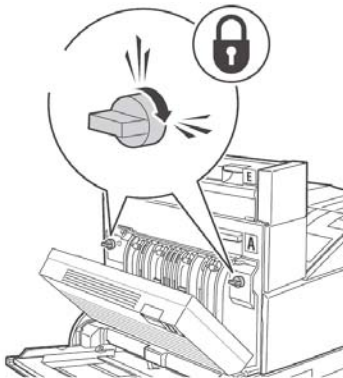
8. Soulevez le module recto verso jusqu'à ce que les crochets se verrouillent dans l'imprimante.



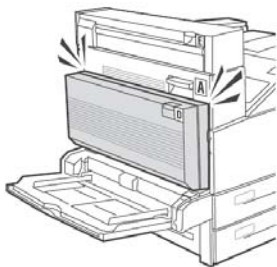
9. Ouvrez le capot du module recto verso en soulevant le loquet.



10. Tournez les 2 vis de verrouillage dans le sens horaire pour fixer le module recto verso sur l'imprimante.

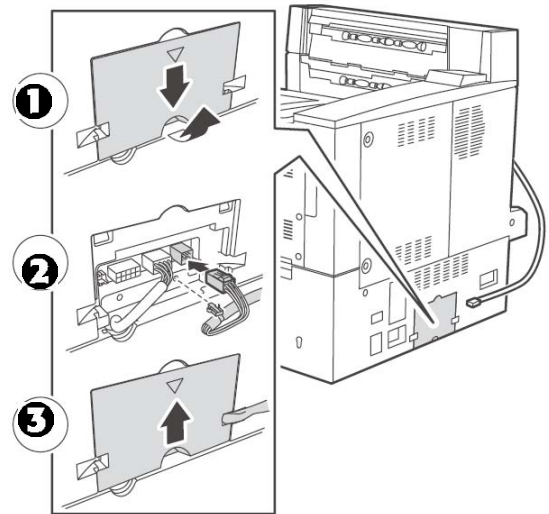


11. Fermez le capot du module recto verso



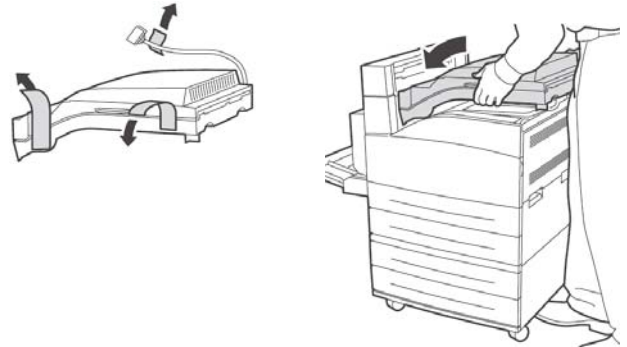
12. Retirez le capot d'accès de l'imprimante (1), branchez le câble d'interface du module recto

verso (2) et remettez le capot d'accès en place (3).

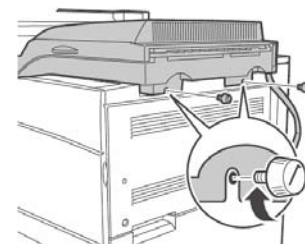


### Installez le module de finition optionnel

1. Assurez-vous que l'imprimante est hors tension.
2. Déballagez le module de transport horizontal et posez-le sur le dessus de l'imprimante.



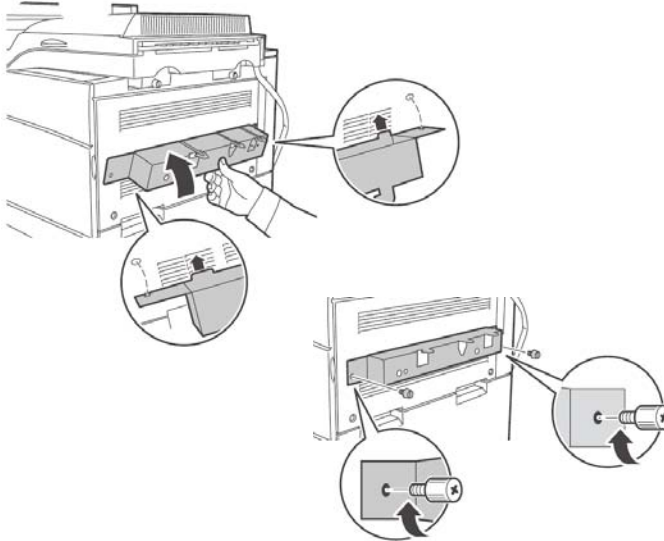
3. Insérez les 2 vis de montage pour fixer le module de transport horizontal.



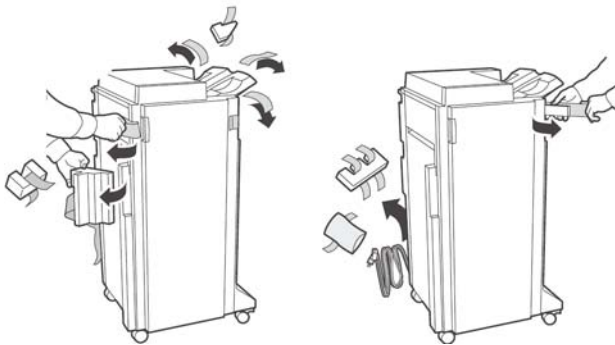
4. Les guides de l'imprimante d'origine doivent être déplacés au module de sortie.

Les guides sont constitués de deux pièces de caoutchouc et de plastique afin d'aider à empiler les feuilles sur le dessus de l'imprimante. Lors de l'installation du module de transport horizontal, ces guides doivent être déplacés du boîtier de l'imprimante au module de sortie 2 compris avec le module recto verso.

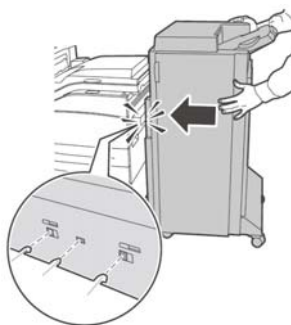
5. Mettez en place le support de montage.  
Insérez les 2 vis de montage pour fixer le support.



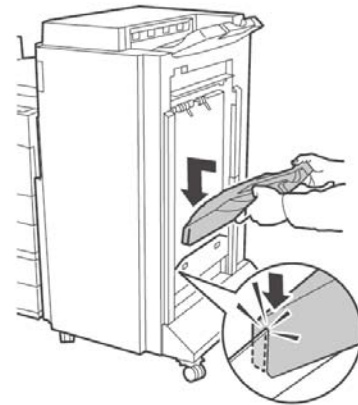
6. Retirez tous les matériaux de protection de l'unité de finition



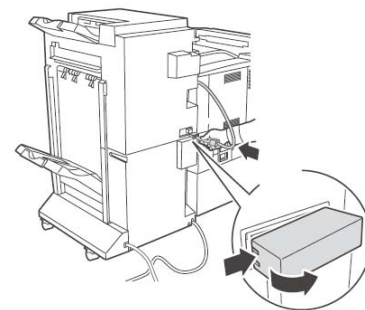
7. Glissez l'unité de finition en place en enclenchant les dispositifs de verrouillage.



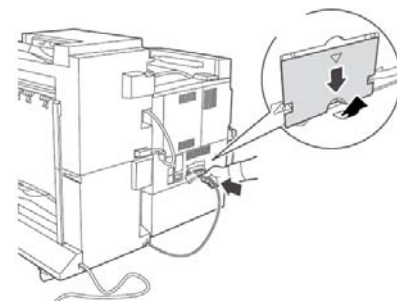
8. Insérez le bac de sortie de l'empileuse inférieure.



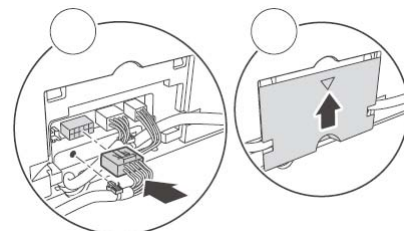
9. Retirez le capot d'accès et branchez le câble d'interface de l'unité de finition.



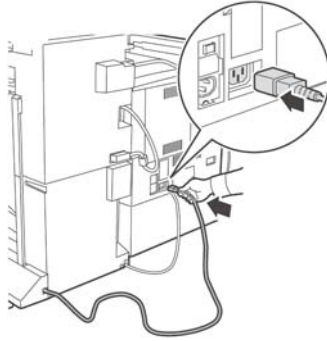
10. Retirez le capot du panneau d'interface de l'imprimante.



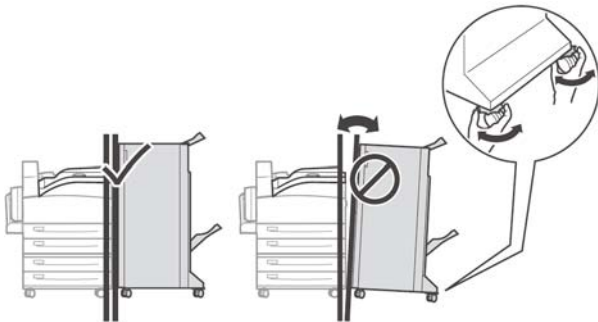
11. Branchez le connecteur d'interface et remplacez le capot.



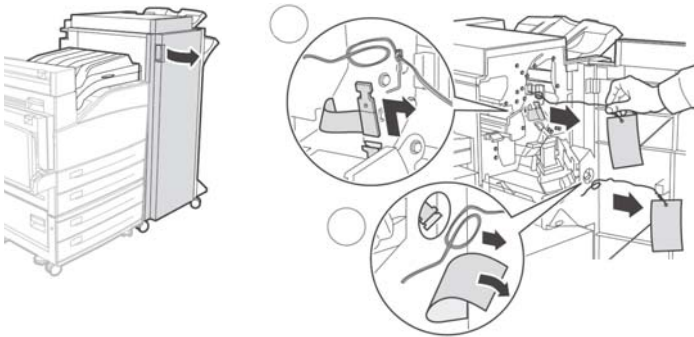
12. Branchez le cordon d'alimentation de l'unité de finition à la prise d'alimentation d'accessoire de l'imprimante.



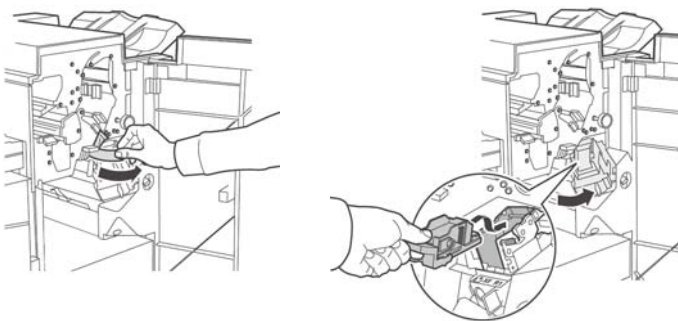
13. Mettez l'unité de finition de niveau et parallèle à l'imprimante.



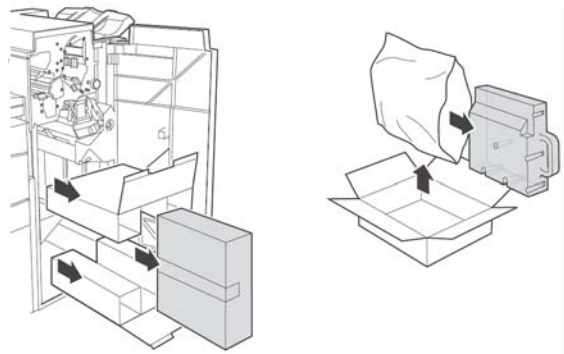
14. Ouvrez la porte de l'unité de finition. Retirez les étiquettes et les supports de transport se trouvant à l'intérieur.



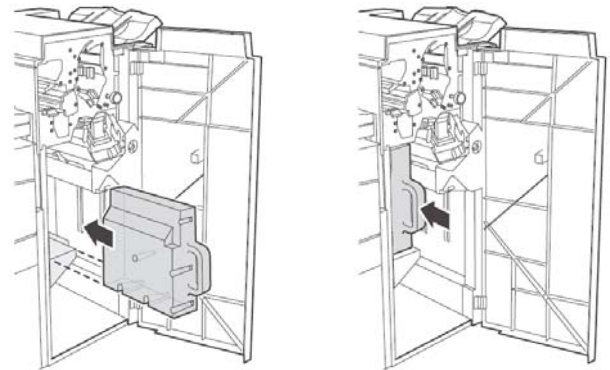
15. Poussez le loquet vers la droite et insérez le module d'agrafeuse.



16. Déballlez le bac à rebuts de la perceuse.



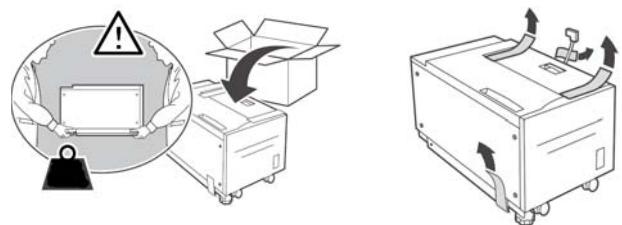
17. Insérez le bac à poussière de la perceuse. Bien l'assoir en place.



18. Fermez la porte de l'unité de finition.

## Installez l'alimentateur haute capacité (AHC)

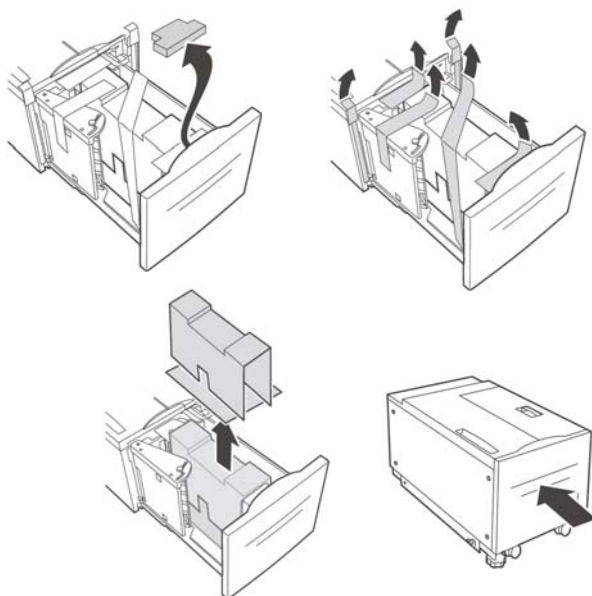
1. Assurez-vous que l'imprimante est hors tension.
2. Déballlez l'alimentateur de papier et enlevez les matériaux de protection.



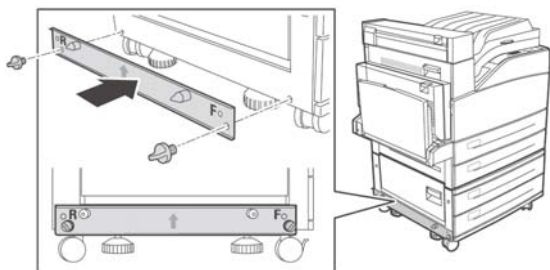
3. Sortez le bac de l'alimentateur de papier. Enlevez le ruban d'emballage du bac de



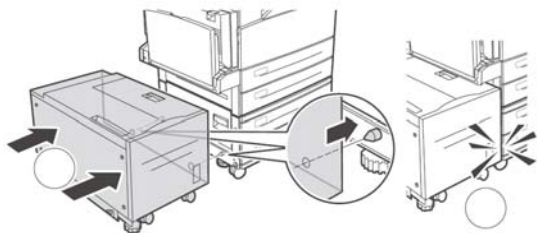
l'alimentateur, puis replacez le bac dans l'alimentateur.



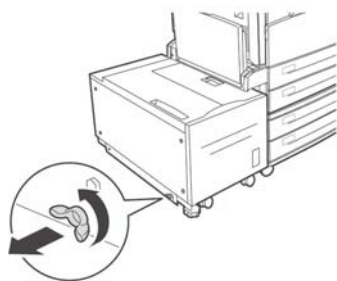
4. Installez le support de montage.



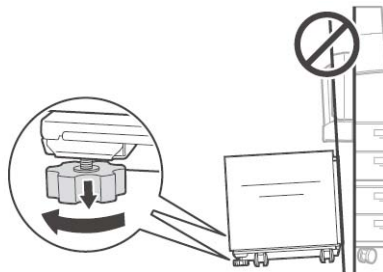
5. Glissez l'alimentateur de 2000 feuilles sur la plaque de montage en le guidant sur le goujon d'alignement jusqu'à ce qu'il s'enclenche.



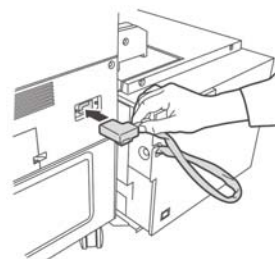
6. Retirez le matériel de transport et jetez-le.



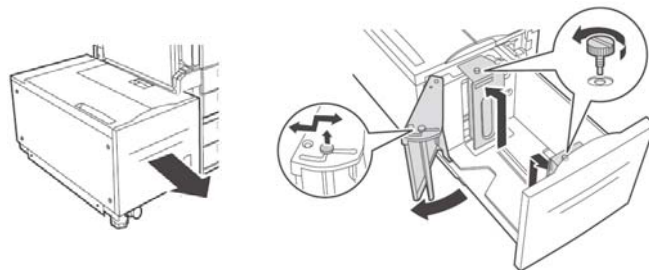
7. Réglez les pattes de l'assemblage d'alimentateur afin de placer l'alimentateur parallèle à l'imprimante.



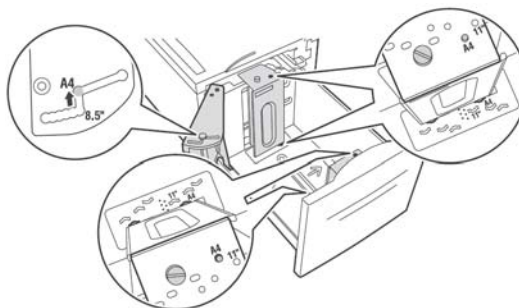
8. Branchez le cordon d'alimentation de l'alimentateur à la prise d'accessoire de l'imprimante.



9. Sortez le bac de l'alimentateur et retirez les vis de transport.

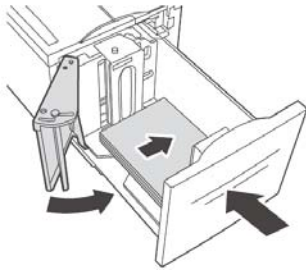


10. Réglez les guides de format de papier de l'alimentateur.



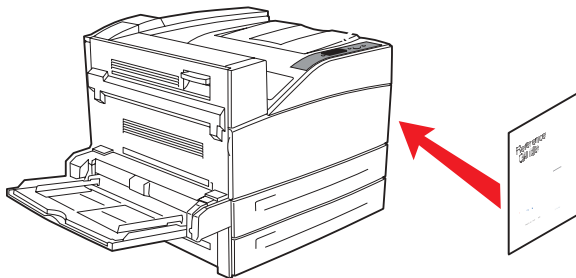


11. Chargez le bac à papier.



## Installez le Guide de référence pratique

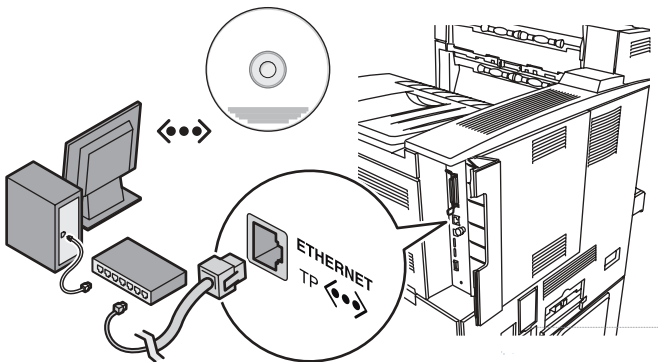
Retirez l'endos de la bande à l'arrière du Guide de référence pratique et appliquez le guide sur l'imprimante.



## Brancher l'imprimante

### Connexion Ethernet

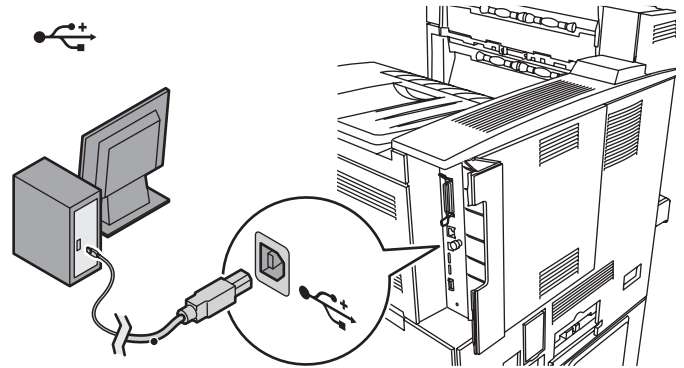
Branchez le câble Ethernet entre l'imprimante (b) et le concentrateur ou le routeur Ethernet.



### Connexion USB

**Remarque:** Installez le logiciel de l'imprimante **AVANT** de bracher le câble USB: consultez le oage 25).

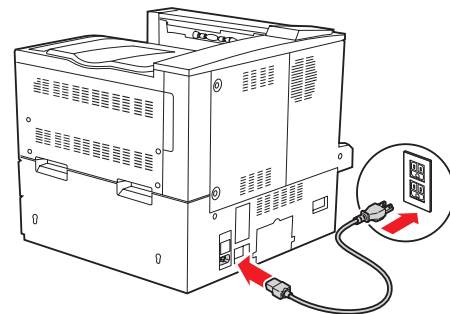
Connectez le câble USB au port USB de l'ordinateur, connectez l'autre extrémité du câble USB au port USB de l'imprimante..



## Mise sous tension

**AVERTISSEMENT!** Utilisez le cordon d'alimentation fourni avec l'imprimante! L'utilisation d'un cordon autre que celui fourni avec le produit, or d'une rallonge, peut entrainer une surchauffe de l'appareil et constiteur un danger..

1. Insérez le cordon d'alimentation dans la prise. Branchez l'autre extrémité du cordon dans une prise électrique murale mise à la terret.



2. Mettez sous tension l'imprimante.

**Mise en garde!** Ne branche pas ce produit dans un système d'alimentation sans coupure. Pour plus d'information, contactez Oki Data au 1 800 OKI-DATA ou rendez-nous vite à [www.okiprintingsolutions.com](http://www.okiprintingsolutions.com).

## Impression d'une page de démonstration

1. Appuyez sur le bouton **MENU**.
2. Appuyez sur le bouton **NEXT** (▲) jusqu'à ce que l'affichage indique INFORMATION MENU [Menu Informations].

3. Appuyez sur le bouton **SELECT** pour accéder au menu.
4. Appuyez sur le bouton **NEXT** (▲) jusqu'à ce que l'affichage indique PRINT DEMO [Démonstration d'impression].
5. Appuyez sur le bouton **SELECT**. La page de démonstration s'imprime.

## Chargement des logiciels

### Windows - réseau Configurez

**Note:** Pour plus d'information, consultez la section Réseau du Guide de l'utilisateur en ligne.

#### Feuilles de configuration s'impriment

1. Allumez l'imprimante et attendez que le témoin d'état du serveur d'impression arrête de clignoter.
2. Appuyez sur le bouton INFO sur le panneau de commande pour imprimer les pages Information sur le réseau. Conservez ces feuilles sous la main : elles contiennent des informations dont vous aurez besoin pour configurer l'imprimante sur le réseau network.

#### Installation du pilote d'impression

1. Insérez le CD dans l'unité de CD. Le CD est lancé automatiquement. Le CD est lancé automatiquement. *Si le CD n'est pas lancé automatiquement, cliquez sur Start (Démarrer) → Run (Exécuter) → Browse (Parcourir). Accédez à l'unité de CD-ROM. Double-cliquez sur Install.exe. Cliquez sur OK.*
2. Sélectionnez la langue d'installation.
3. Acceptez le contrat de licence.
4. La fenêtre Installer Menu s'affiche.
5. Cliquez sur Install Driver [Installer le pilote].
6. Sélectionnez Network Printer (Imprimante réseau).
7. Sélectionnez TCP/IP.
8. Entrez l'adresse IP.
9. Observez les directives à l'écran.

#### Test d'installation des pilotes d'imprimante

1. Pour vérifier que le logiciel est correctement installé, Imprimez une page à partir d'un programme quelconque.
2. Réinstallez le logiciel, en cas d'échec de l'installation.

### Utilisation d'un navigateur Web (Opcionnelle)

Utilisez votre navigateur Web pour configurer le serveur d'imprimante et les paramètres de menu d'imprimante dans une page Web incorporée.

**Remarque:** Pour plus de détails, consultez le Guide de l'utilisateur réseau sur le CD fourni avec l'imprimante.

1. Lancez le navigateur Web (Microsoft Explorer, Mozilla Firefox, et Netscape Navigator 4.4 ou supérieure).
2. Puis entrez l'adresse IP de l'imprimante. Celle-ci est indiquée sur les feuilles de Configuration Network Information (consultez le page 25).
3. Cliquez sur l'onglet pour voir une catégorie particulière.

#### Utilitaires et les téléchargements

**Remarque:** Vous devez être connecté à Internet pour installer les téléchargements par Internet.

1. Choisissez Utilitaires ou Téléchargements de logiciels dans la barre de menu du CD d'installation.
2. Cliquez sur les utilitaires et les téléchargements que vous voulez installer et suivez les instructions à l'écran.

### Windows USB

#### Installation du pilote d'impression

**Remarque:** Installez le logiciel avant de connecter le câble USB à l'imprimante.

1. Éteignez l'imprimante.
2. Insérez le CD dans l'unité de CD. Le CD est lancé automatiquement. Le CD est lancé automatiquement. *Si le CD n'est pas lancé automatiquement, cliquez sur Start (Démarrer) → Run (Exécuter) → Browse (Parcourir). Accédez à l'unité de CD-ROM. Double-cliquez sur Install.exe. Cliquez sur OK.*
3. Sélectionnez la langue d'installation. Acceptez le contrat de licence.
4. Cliquez sur Install Driver [Installer le pilote].
5. Cliquez sur Local printer [Imprimante locale]. Observez les directives affichées à l'écran.
6. À l'invite, sélectionnez émulation d'imprimante (PS ou PCL).
7. Lorsque indiqué, connectez le câble USB et mettez l'imprimante sous tension.

## Test d'installation des pilotes d'imprimante

Pour vérifier que le logiciel est correctement installé, Imprimez une page à partir d'un programme quelconque. Réinstallez le logiciel, en cas d'échec de l'installation.

## Installer les utilitaires et les téléchargements

**Remarque:** Vous devez être connecté à Internet pour télécharger les utilitaires.

1. Choisissez Optional Utilities (Utilitaires en option) ou Internet Downloads (Téléchargements par Internet) dans la barre de menu du CD d'installation.
2. Cliquez sur les utilitaires et les téléchargements que vous voulez installer et suivez les instructions.

## Windows : Activez les accessoires optionnels que vous avez installés

**Remarque:** Si votre imprimante est munie du deuxième bac à papier optionnels ou du disque dur, vous devez accéder au pilote et les activer.

1. Cliquez sur Start (Demarrer) → Settings (Paramètres) → Printers (Imprimantes) [and Faxes (et télécopieurs)] dans la barre de tâches Windows.
2. Cliquez avec le bouton droit de la souris sur le nom de l'imprimante, puis sélectionnez Properties (Propriétés).
3. Cliquez sur l'onglet Device Option (Options du périphérique).
4. Cliquez sur Get Information From Printer (Obtenir information de l'imprimante) pour activer toutes les options installées.
5. Cliquez sur Apply (Appliquer). Cliquez sur OK.

## Macintosh

### Installation du pilote d'impression

1. Allumez l'imprimante, puis allumez l'ordinateur.
2. Placez le CD fourni avec l'imprimante dans l'unité de CD-ROM.
3. Double-cliquez sur l'icône de CD qui est affiché sur le Bureau.
4. Ouvrez le dossier MAC.
5. Double-cliquez sur l'icône MAC Installateur. L'installateur affiche le pilote présélectionné.

6. Sélectionnez tous les utilitaires que vous voulez installer. Cliquez sur Install.

### Ajout de l'imprimante

1. Lancer l'utilitaire Printer Setup (Configuration de l'imprimante) ou Print Setup Utility (Utilitaire de configuration d'impression). Cliquez sur Add (Ajouter).
  2. Cliquez sur More Printers.
  3. Sélectionnez le protocole : Sélectionnez OKI USB, OKI TCP/IP, ou Rendezvous/Bonjour dans le menu défilant.
- Remarque:** Si vous utilisez le port USB, sélectionnez USB et ignorez l'étape 4.
4. Entrez l'adresse IP de l'imprimante.
  5. Sélectionnez le modèle d'imprimante. Cliquez sur « Add » (Ajouter).
  6. Quittez le Print Center (Centre d'impression).

### Paramétrage de la configuration de l'imprimante via une page Web

Par le biais d'une page Web, vous pouvez utiliser un navigateur dans un environnement TCP/IP pour afficher l'imprimante ou l'état de l'impression d'un travail et modifier les paramètres.

Parmi les paramètres d'imprimante que vous pouvez définir dans le panneau de configuration, les paramètres du système et des ports réseau peuvent être configurés sur la page Web sous [Imprimante], [Réseau] et [Maintenance].

**Remarque:** La page Web n'est disponible que si l'imprimante est connectée au réseau.

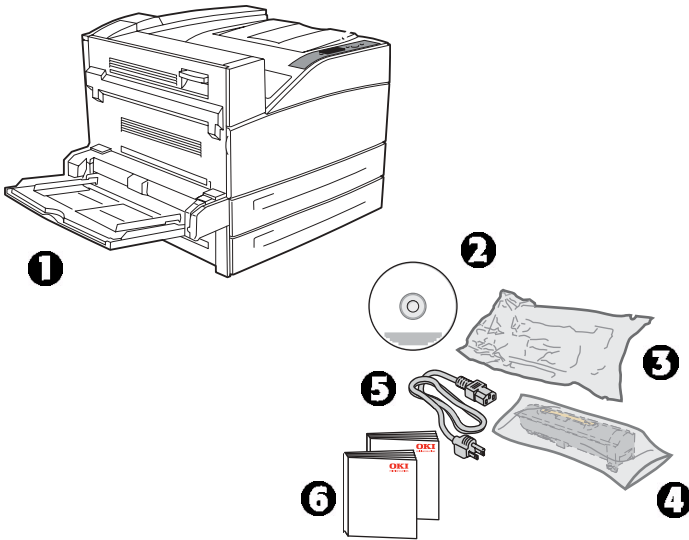
**Remarque:** Reportez-vous à la section Réseau du Guide de l'utilisateur en ligne si la page Web n'apparaît pas après que vous ayez suivi les étapes 1 et 2 indiquées ci-dessous :

1. Redémarrez votre ordinateur et démarrez le navigateur Web.
2. Entrez l'adresse IP ou l'URL de l'imprimante dans le champ d'adresse du navigateur, puis appuyez sur <Entrée>.

## Service et soutien

- Visitez notre site Web multilingue : [www.okiprintingsolutions.com](http://www.okiprintingsolutions.com)
- Composez le 1-800-654-3282

## Verifique los componentes:



- 1 Impresora
- 2 CD
- 3 Cartucho de cilindro de imagen
- 4 Cartucho de tóner
- 5 Cable de alimentación
- 6 Documentación: (esta Guía de instalación; Guía de referencia rápida; Información sobre seguridad, garantía, y regulaciones)

## Panorama general de la instalación

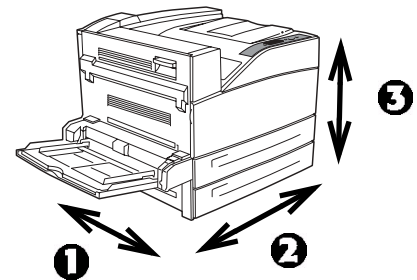
- **Espacio necesario (ver abajo)**
- **Instalación de la impresora:**
  - Desempacar la impresora (ver página 28)
  - Si corresponde, instale la impresora sobre una de las bandejas opcionales (ver página 28)
  - Instale el cartucho de cilindro de imagen y el cartucho de tóner (ver página 28)
  - Carga del papel (ver página 29)
- **Instale los componentes opcionales que adquirió:**
  - Módulo de memoria (ver página 30)
  - Compact Flash (Flash compacto) (ver página 30)
  - Unidad de disco duro, (ver página 30)
  - Bandeja de tabloide (ver página 31)
  - Bandeja tándem (ver página 31)
  - Unidad Dúplex (ver página 32)
  - Acabador (ver página 33)

- Alimentador de Alta Capacidad (ver página 35)
- **Conexión a la computadora (ver página 37)**
- **Suministro de energía (ver página 37)**
- **Imprima la página demo (ver página 37)**
- **Cargue el software (ver página 37 [Windows] or 39 [Macintosh])**

## Requisitos de espacio

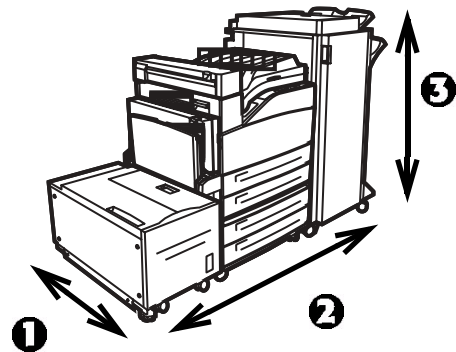
*Nota: Espacio necesario aproximadas.*

## Configuración básica de la impresora



- Profundidad (1) = 46 pulgadas (118 cm)
- Ancho (2) = 47 pulgadas (120 cm)
- Altura (3) = 27 pulgadas (69 cm)

## Impresora con componentes opcionales



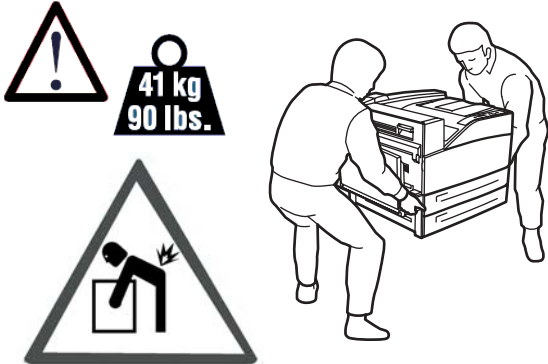
- Profundidad (1): 46 pulgadas (118 cm)
- Ancho (2):
  - con el alimentador de alta Capacidad (HCF) = 47 pulgadas (118 cm)
  - con acabador = 60 pulgadas (153 cm)
  - con HCF e acabador = 86 pulgadas (218 cm)
- Altura (3):
  - con bandeja opcional = 35 pulgadas (89 cm)
  - con acabador = 47 pulgadas (119 cm)



# Instalación de la impresora

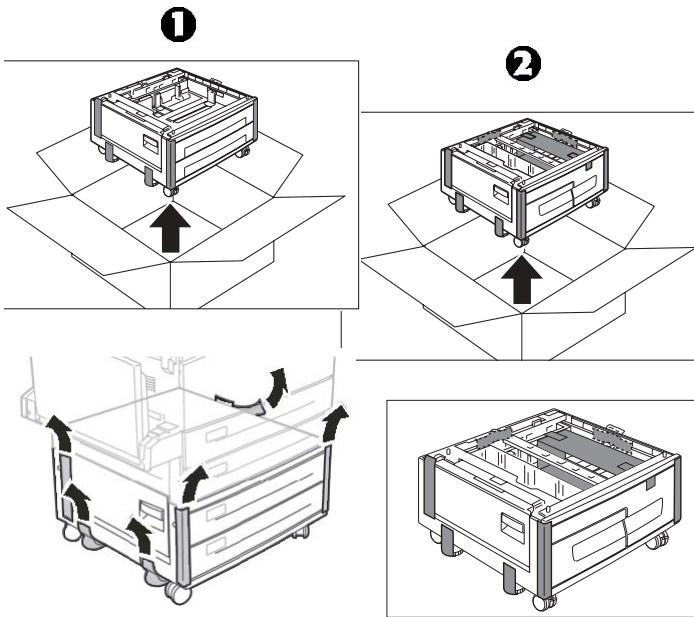
## Desempacar la impresora

1. Coloque la impresora y los componentes opcionales en el lugar que seleccionó.

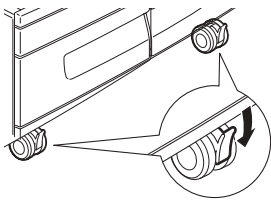


## Coloque la impresora sobre la bandeja opcional

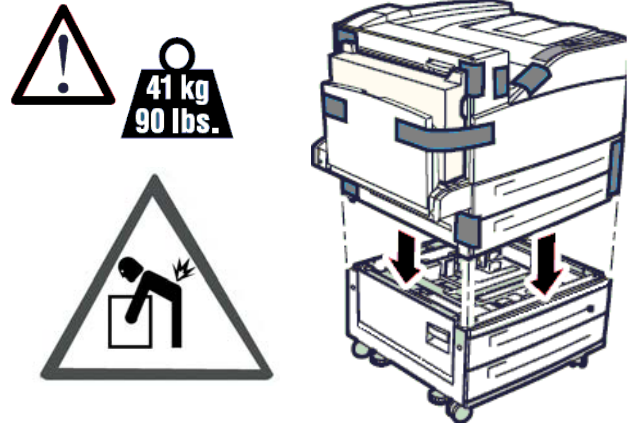
1. Si adquirió la Bandeja de Tabloides (1) o la Bandeja Tándem (2) opcionales, desempaque el bandeja y retire la cinta de empaque.



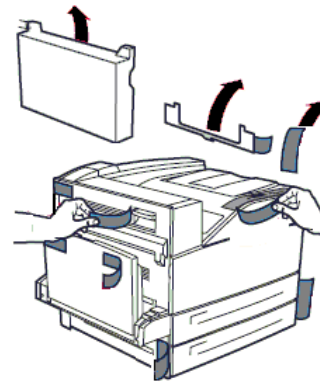
2. Enganche las ruedecillas en la bandeja.



3. Alinee los huecos en la parte inferior de la impresora con las espigas del bandeja y coloque la impresora encima del bandeja.

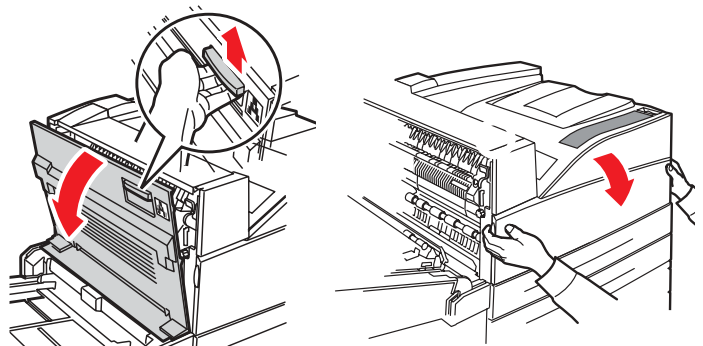


4. Impresora: retire el material y cinta de embalaje.

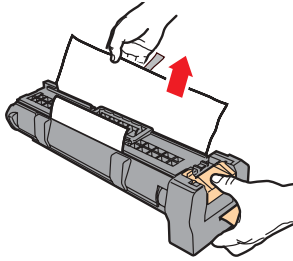


## Instale el cartucho de cilindro de imagen y el cartucho de tóner

1. Abra las tapas delanteras y laterales de la impresora.

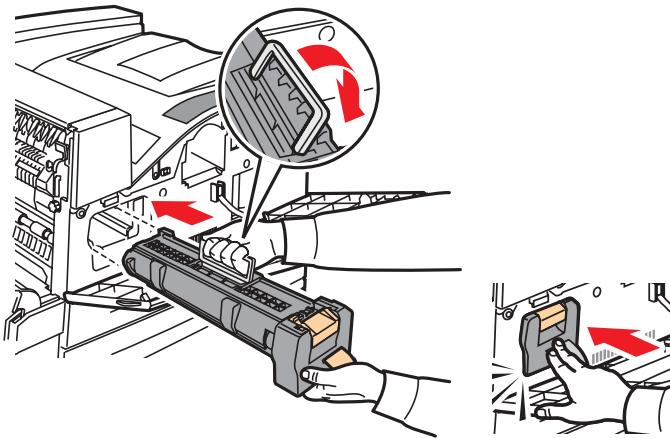


2. Retire el cartucho de cilindro de su envoltura. Retire la hoja protectora.

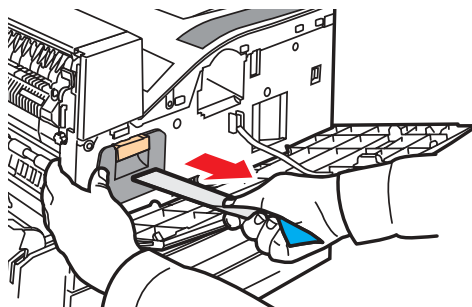


***¡PRECAUCIÓN! Evite contacto con las superficies internas. Limite la exposición a la luz a menos de 5 minutos.***

3. Doble la manivela y deslice el cartucho de cilindro dentro de la impresora. Asiente el cartucho de cilindro firmemente dentro de la impresora.



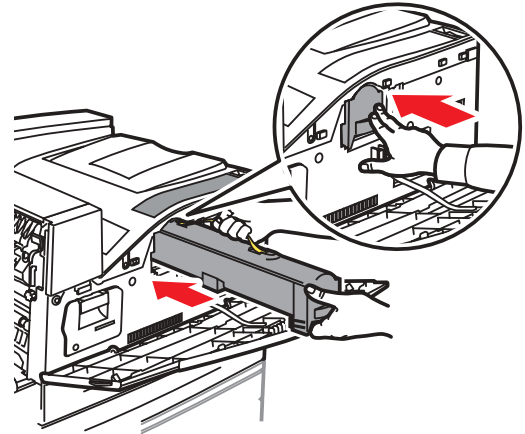
4. Retire la cinta protectora.



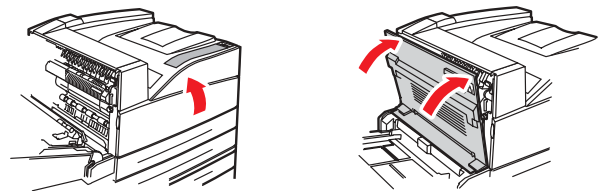
5. Retire el cartucho de tóner de su envoltura. Saque el nuevo cartucho de tóner de la caja y sacúdalo 8 ó 10 veces como se muestra en el diagrama.



6. Deslice el cartucho de tóner dentro de la impresora y colóquelo firmemente en su lugar.



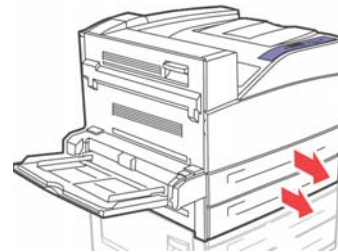
7. Cierre las tapas de la impresora.



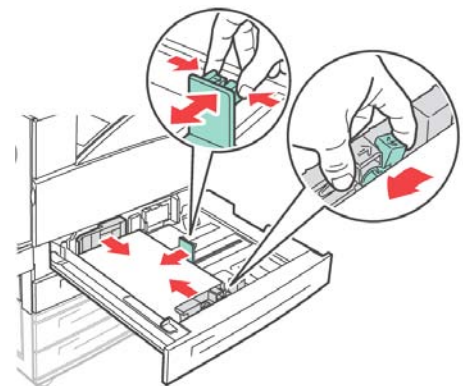
## **Carga del papel**

### **Bandejas 1 y 2**

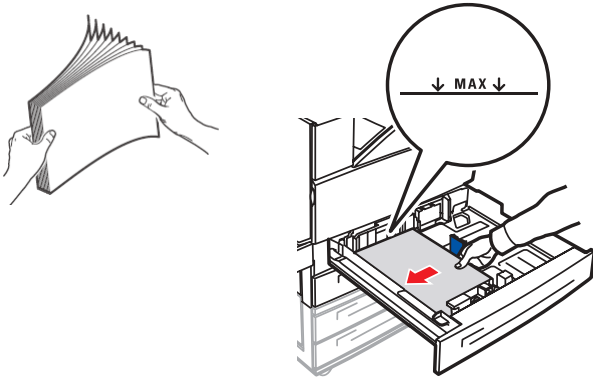
1. Saque la(s) bandeja(s) de papel.



2. Si es necesario, ajuste las guías de papel de acuerdo al tamaño del papel.



3. Abanique el papel para evitar que las hojas se peguen. Cargue el papel con el lado imprimible *cara arriba*. **No cargue papel por encima de la línea de capacidad máxima.**

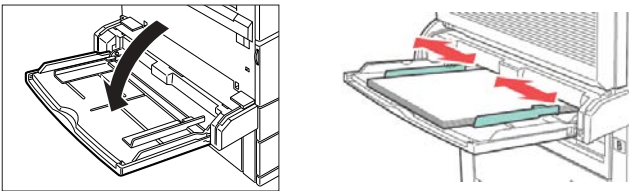


**¡PRECAUCIÓN!** Alinee la guía de ancho derecha de acuerdo al ancho del papel. Si la guía de ancho derecha no está correctamente colocada, el papel no puede ser alimentado correctamente y se puede atascar.

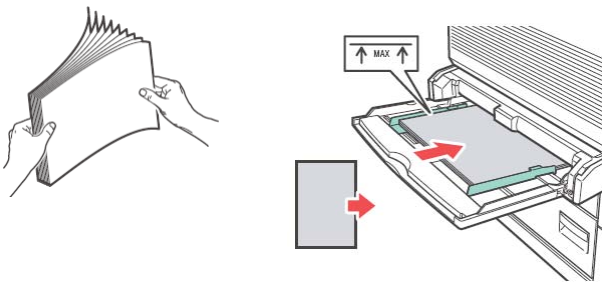
4. Vuelva a colocar la bandeja en la máquina.

#### **Bandeja MU (Bandeja 5)**

1. Baje la bandeja MPF. Si es necesario, ajuste las guías de papel de acuerdo al tamaño del papel.



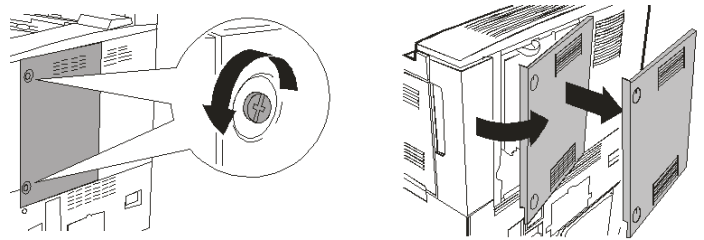
2. Abanique el papel para evitar que las hojas se peguen. Cargue el papel con el lado imprimible *cara abajo*. **No cargue papel por encima de la línea de capacidad máxima.**



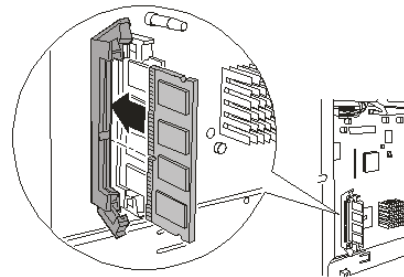
## **Instale los componentes opcionales que adquirió**

### **Instale los módulos de memoria, compact flash, y/o la unidad del disco duro**

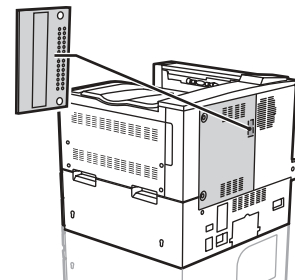
1. Compruebe que la impresora está apagado.
2. En la parte posterior de la impresora, gire los tornillos de mariposa de la tapa hasta que se aflojen y luego hale con cuidado la tapa.



3. **Módulos de memoria:** Inserte con cuidado el módulo de memoria en la ranura como se muestra abajo. Empuje hacia abajo con cuidado hasta que los ganchos laterales se cierren sobre los extremos del módulo RAM.

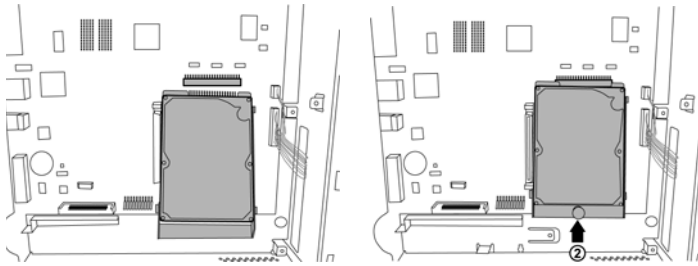


4. **Compact Flash:** De manera similar a la forma descrita anteriormente de cómo colocar el módulo de memoria, coloque el módulo de Flash Compacto con cuidado en la ranura en el extremo derecho superior.



5. **Unidad de disco duro:** Coloque con cuidado la Unidad De disco duro dentro del receptáculo, teniendo cuidado de no dañar las

delicadas espigas. Coloque el disco duro sobre las espigas de ubicación y empuje firmemente hasta que la unidad calce en su lugar.



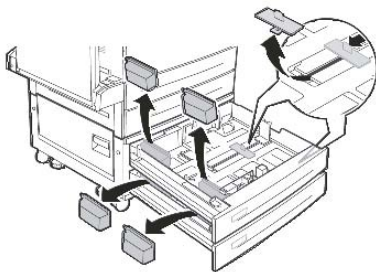
6. Reinstale las tapas laterales en orden inverso.

## Termine la instalación de la Bandeja de Tabloides o de la Bandeja Tándem opcionales

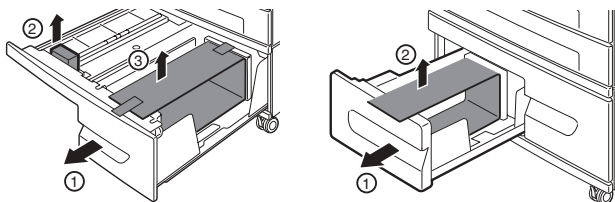
Si adquirió la bandeja de tabloides o la bandeja tándem opcionales anteriormente y tiene instalada la impresora sobre una de ellas, no es necesario que haga una nueva instalación.

1. Compruebe que la impresora está apagado.
2. Abra los dos cajones. Saque el material de embalaje de ambos cajones. Cierre los cajones del bandeja.

### - Bandeja de tabloides

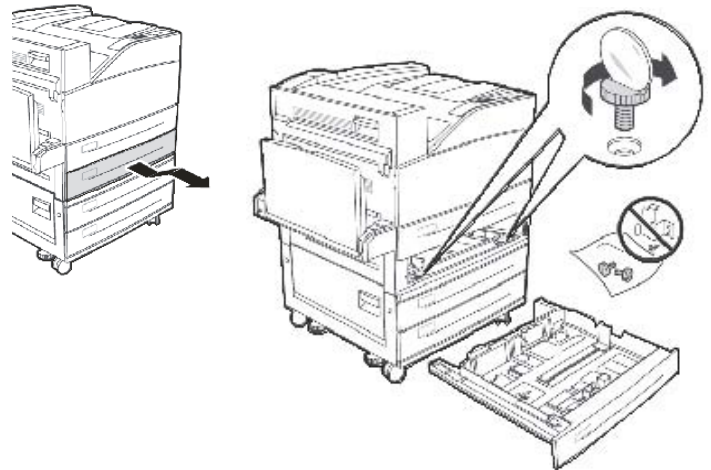


### - Bandeja tándem

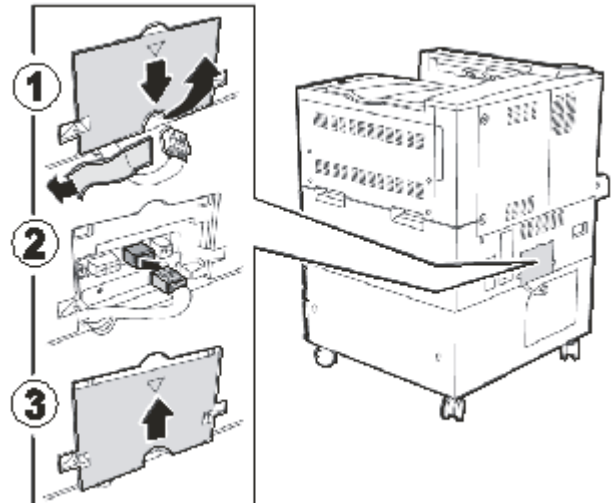


3. Saque el cajón 3 de la impresora. Coloque los dos tornillos de sujeción, girándolos en

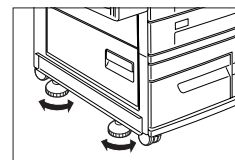
sentido horario para fijar la impresora en el bandeja.



4. Cierre el cajón 3 de la impresora.
5. Retire la tapa del panel de la interfaz de la impresora (1), conecte el conector del Alimentador de 1000 hojas (2) y luego vuelva a colocar la tapa del panel de la interfaz de la impresora (3).



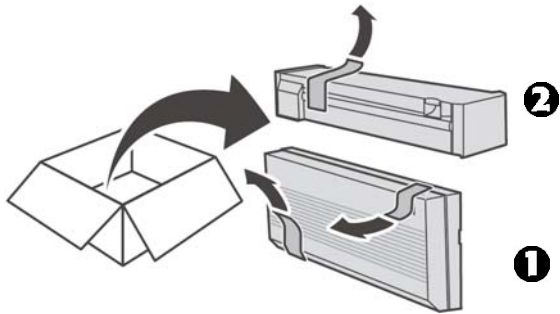
6. Ajuste las patas de nivelación.



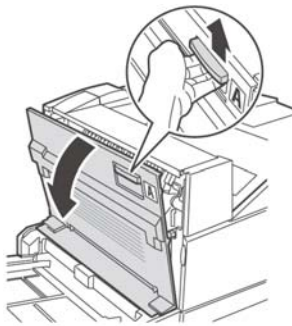


## Instale la unidad dúplex opcional

1. Compruebe que la impresora está apagado.
2. Desempaque la Unidad Dúplex (unidad dúplex [1] y el Módulo de Salida [2]). Retire el material de empaque.



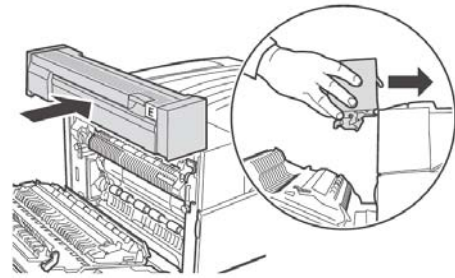
3. Abra la puerta.



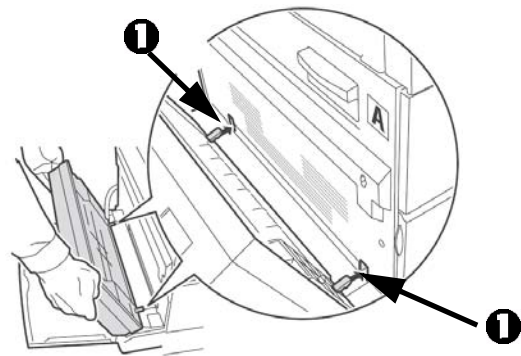
4. Retire la tapa y guárdela en caso que la necesite en el futuro.



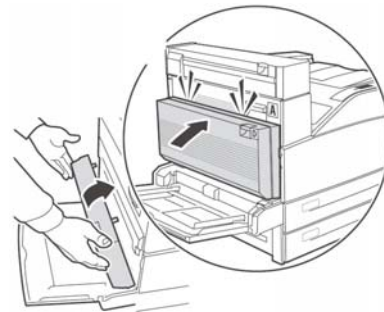
5. Desplace el Módulo de Salida a su posición.



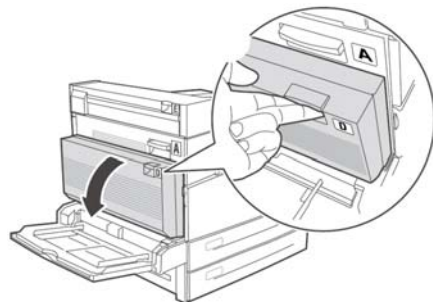
6. Cierre la puerta.
7. Coloque la Unidad Dúplex en su lugar e inserte los 2 ganchos en la parte inferior de la unidad en los lugares indicados en la impresora (1).



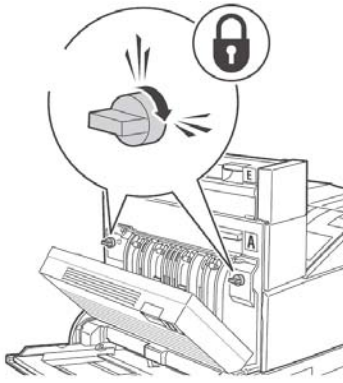
8. Levante la Unidad Dúplex hasta que los ganchos superiores calcen en la impresora.



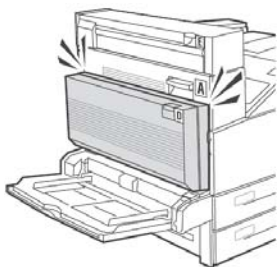
9. Abra la tapa de la Unidad Dúplex levantando el sujetador.



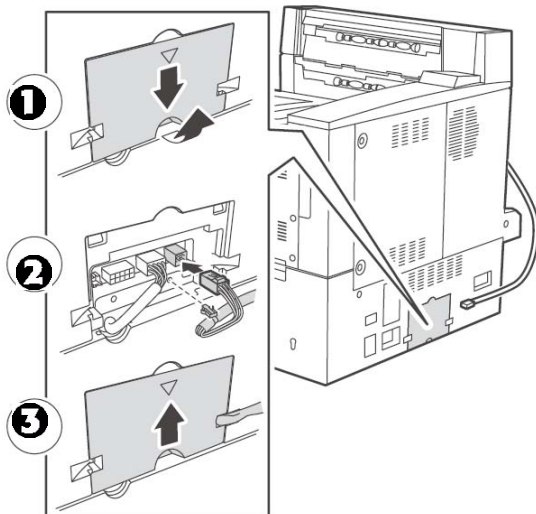
10. Gire los dos tornillos de cierre en dirección horario para fijar la unidad a la impresora.



11. Cierre la tapa de la Unidad Dúplex



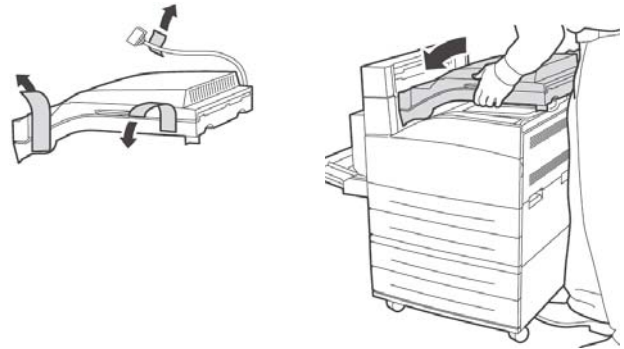
12. Retire la tapa de acceso de la impresora (1), conecte el cable de interfaz (2) de la Unidad Dúplex y vuelva a colocar la tapa de acceso de la impresora (3).



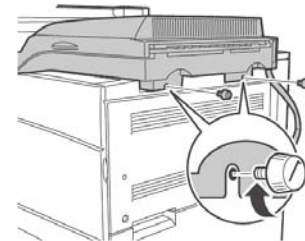
## Instale el acabador opcional

1. Compruebe que la impresora está apagado.

2. Desempaque el Sistema de transporte horizontal y colóquelo encima de la impresora.



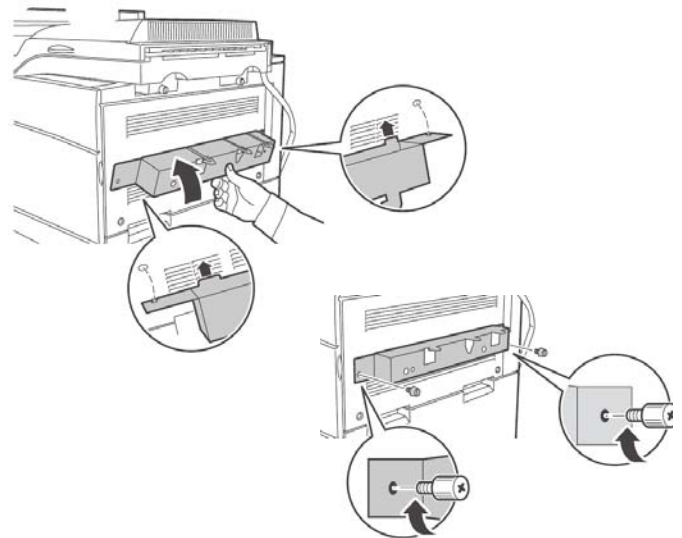
3. Coloque los 2 tornillos de sujeción para fijar el sistema de transporte horizontal.



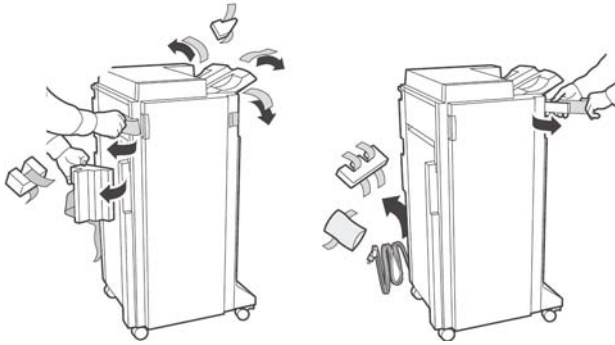
4. Las guías de la impresora deben colocarse en el Módulo de salida.

Las guías son dos piezas de goma y plástico que sirven para la colocación encima de la impresora. Cuando instala el sistema de Transporte horizontal, esta guía debe ser cambiada del cuerpo de la impresora al módulo de salida 2 que viene con la Unidad Dúplex.

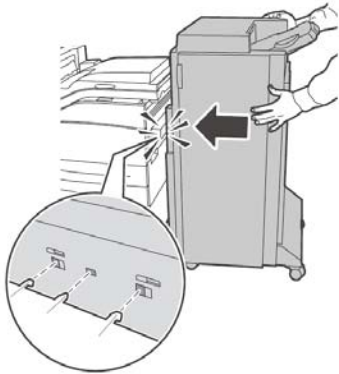
5. Coloque el soporte en su lugar. Coloque los 2 tornillos de sujeción para fijar el soporte it.



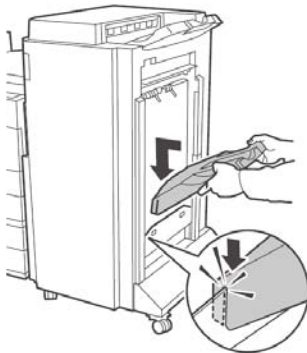
6. .Retire todo el material de empaque del Acabador.



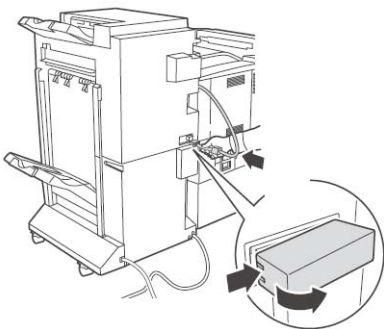
7. Deslice el Acabador hasta que calce en su lugar y se conecte con el mecanismo de sujeción.



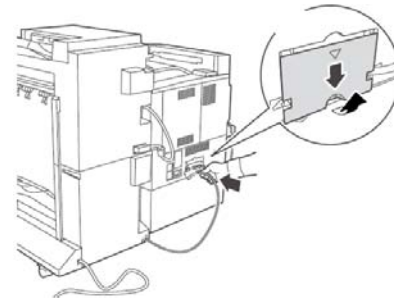
8. Inserte la bandeja de salida inferior del Apilador.



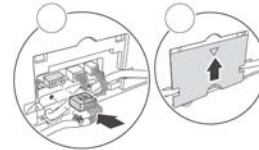
9. Retire la tapa de acceso y enchufe el cable de interfaz del Acabador.



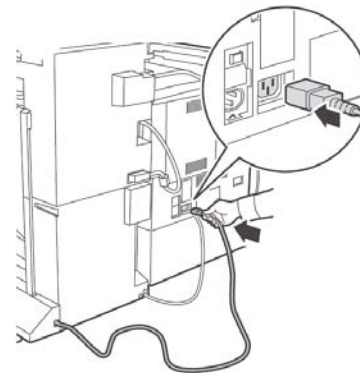
10.Retire la tapa de interfaz de la impresora.



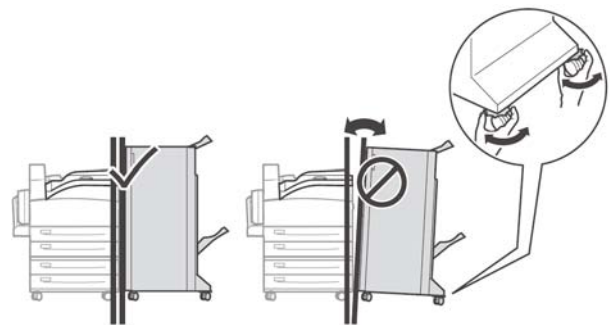
11.Enchufe el conector de interfaz y vuelva a colocar la tapa.



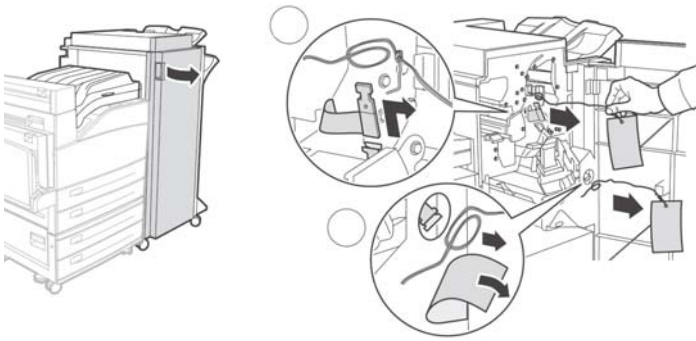
12.Conecte el cable de alimentación de energía del Acabador al conector de accesorios de la impresora.



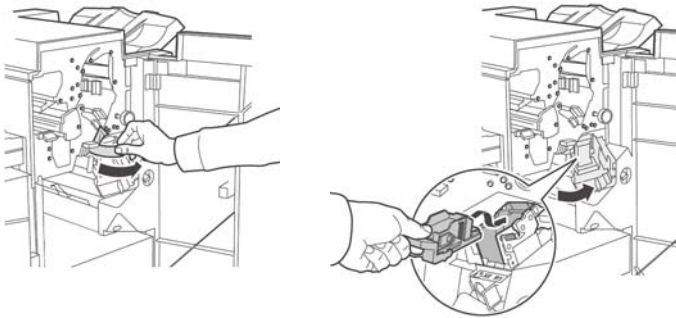
13.Nivele el Acabador de manera que quede paralelo a la impresora.



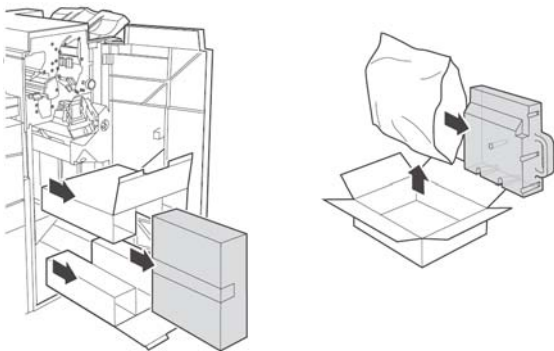
14. Abra la tapa del Acabador. Retire las etiquetas internas y soportes de transporte.



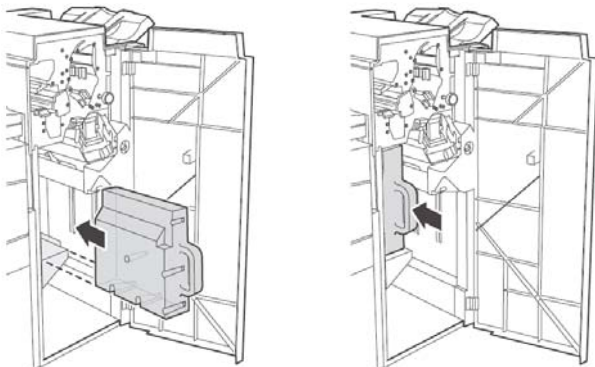
15. Mueva el enganche de cierre hacia la derecha. Inserte el módulo del engrapador.



16. Desempaque el recipiente de recortes del perforador



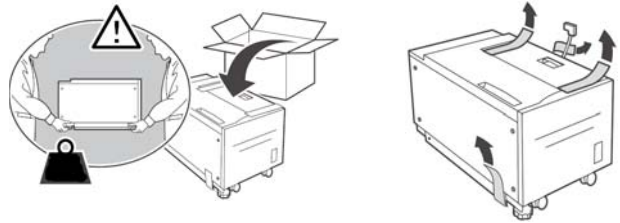
17. Instale el recipiente de recortes y polvo. Asegúrese de que calce en su lugar.



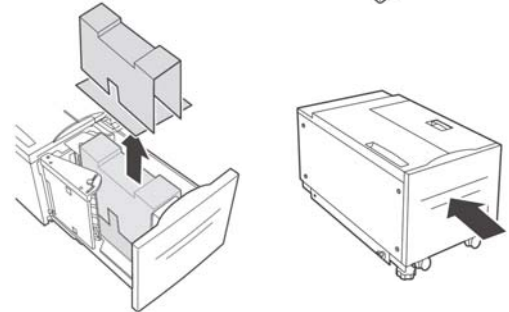
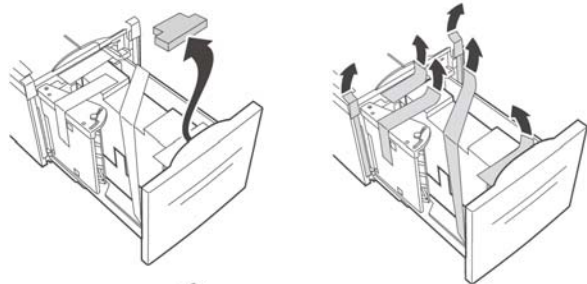
18. Cierre la tapa del Acabador

## Instale el Alimentador de Alta Capacidad (HCF) opcional

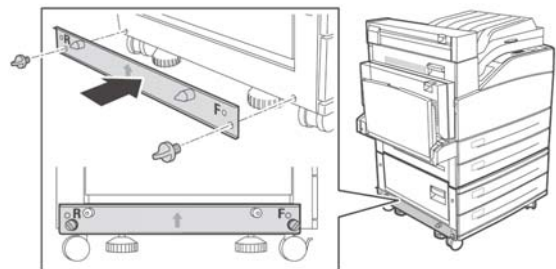
1. Compruebe que la impresora está apagado.
2. Desempaque el HCF y retire el material de empaque.



3. Abra el cajón del HCF e retire el material de empaque del cajón del HCF. Cierre el cajón.

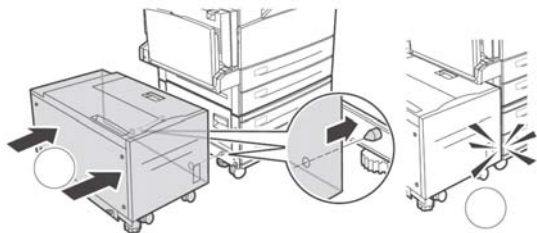


4. Instale el soporte.

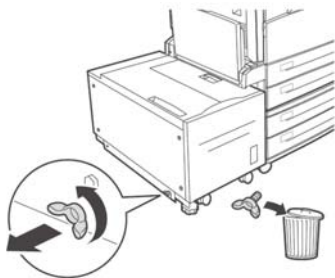




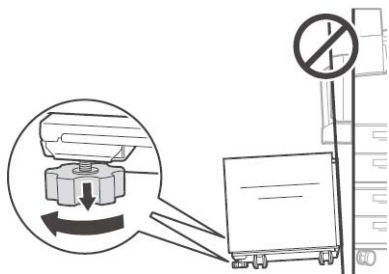
5. Deslice el HCF sobre la placa de montaje, guiándolo sobre la espiga de ubicación hasta que calce en su lugar.



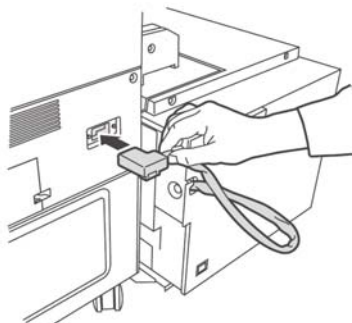
6. Retire el material de empaque.



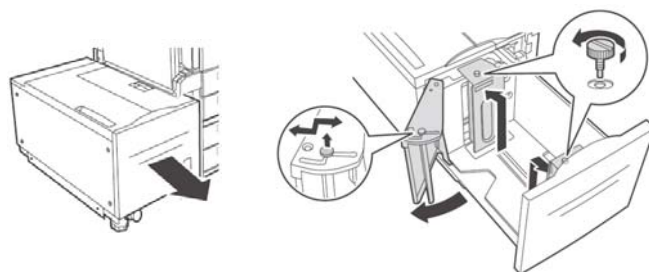
7. Ajuste las patas del Alimentador para que quede ubicado en posición paralela con la impresora.



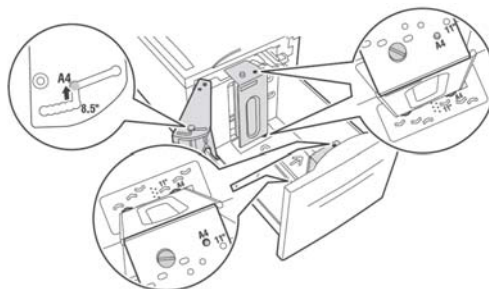
8. Conecte el cable de alimentación de energía del Alimentador en el conector de la impresora.



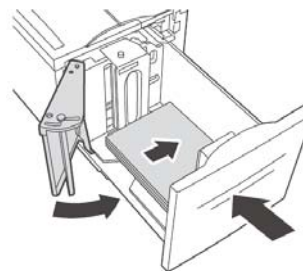
9. Abra el cajón del HCF e retire los tornillos de transporte.



10. Ajuste las guías del Alimentador de acuerdo al tamaño del papel.

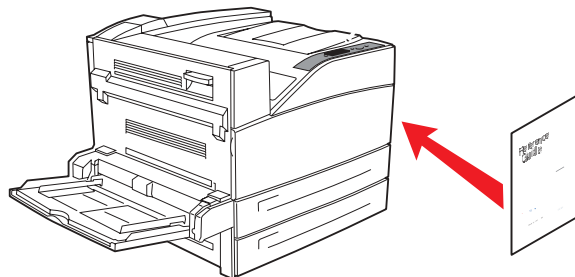


11. Cargue la bandeja de papel.



## Instale la Guía de referencia útil

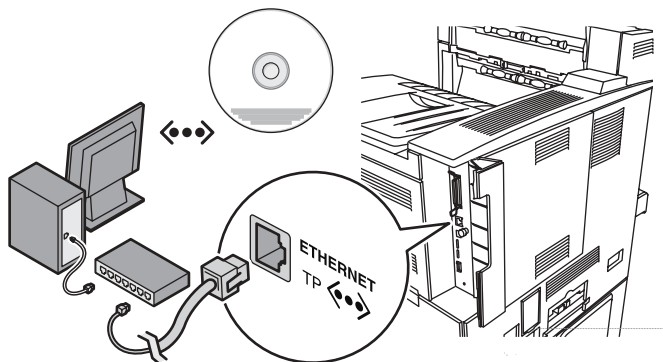
Retirar la protección de la cinta engomada de la parte posterior de la Guía de Referencia Rápida y pegar la guía sobre la impresora.



## Conexión a la computadora

### Conexión en red

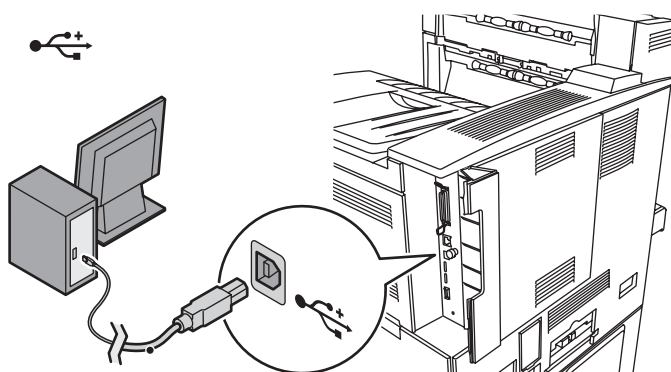
Conecte el cable Ethernet entre la impresora y el concentrador Ethernet o router..



### Conexión de USB

**Nota:** Instale el software de la impresora ANTES de conectar el cable USB: ver página 38 and page 39.

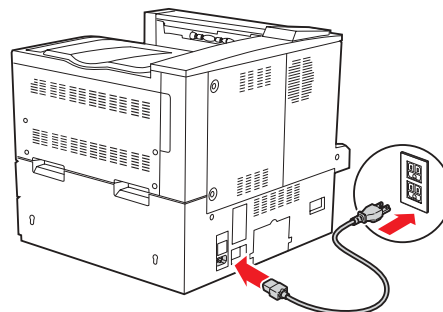
Conecte el cable USB al puerto USB de la computadora, Conecte el otro extremo del cable al puerto USB de la impresora..



## Suministro de energía

**iADVERTENCIA!** Asegúrese de utilizar el cable de alimentación que vino con su impresora! El uso de un cable de alimentación distinto al suministrado con este producto, o el uso de un cable de extensión, puede causar su recalentamiento y constituir un peligro de seguridad.

1. Enchufe el cable de alimentación (a). Luego enchufe el otro extremo a un tomacorriente con derivación a tierra por último.



2. Encienda la impresora..

**iPrecaution!** No conecte este producto a ningún suministro de energía que no puede ser interrumpido. Para mayor información, favor comunicarse con Oki Data: 1-856-222-7496.

## Imprima la página demo

1. Presione el botón **MENU**.
2. Presione el botón **NEXT** (▲) hasta que aparezca INFORMATION MENU (Menú de información).
3. Presione el botón **SELECT** para entrar en modo Menú.
4. Presione el botón **NEXT** (5) hasta que aparezca PRINT DEMO (Imprimir demo).
5. Presione el botón **SELECT**. La hoja demo se imprime.

## Cargue el software

### La red Windows

**Nota:** Para mayor información vea la sección sobre redes en la Guía del Usuario en línea.

### Imprimen las hojas de configuración

1. Encienda la impresora y espere a que la luz de estado del servidor (2) deje de centellear.
2. Pulse el botón INFO en el Panel del operador para imprimir las páginas de información sobre redes. Tenga a la mano estas hojas: contienen la información que necesita para configurar la impresora en la red.

### Instale el controlador de la impresora

1. Inserte el CD en su unidad CD-ROM. El CD se ejecuta automáticamente. Si el CD no se ejecuta, haga clic en Start (Inicio) → Run (Ejecutar) → Browse (Examinar). Busque la

unidad CD-ROM. Doble clic en *Install.exe*.  
Haga clic en *OK (Aceptar)*.

2. Seleccione su idioma.
3. Aceptar el contrato de licencia.
4. Aparece menú de instalación.
5. Haga clic en *Install Driver [Instalar controlador]*.
6. Seleccione *Network Printer (Impresora en red)*.
7. Seleccione *TCP/IP*.
8. Entre la dirección IP.
9. Siga las instrucciones en pantallas.

### Pruebe la instalación del software

1. Para asegurarse de que el software se instaló correctamente, imprima una página desde cualquier programa.
2. Instale de nuevo el software si la instalación falla.

### Configuración de Redes Por medio de la Página Web (Opcional)

Utilice su navegador Web para configurar el servidor de impresión y para tener acceso al menú de la impresora en una página Web designada.

**Nota:** Para obtener más detalles, consulte la *Guía del Usuario en el CD que vino con su impresora*.

1. Abra su explorador Web (Microsoft Explorer®/™, Mozilla® Firefox® y Netscape Navigator™ 4.4 o más reciente).
2. Luego entre la Dirección IP de la impresora. La misma se encuentra en las hojas de configuración *Network Information* (ver página 37).
3. Haga clic en una ficha para referirse a una categoría en particular.

### Utilidades y descargas

**Nota:** Debe estar conectado a la Internet para poder instalar los programas que debe bajar de la Internet.

1. Seleccione *Optional Utilities (Utilidades opcionales)* o *Internet Downloads (Descargas de Internet)* de la barra del menú de instalación del CD.
2. Haga clic en las utilidades o descargas que desea instalar y siga las instrucciones.

## Windows USB

### Instale el controlador de la impresora

**Note:** Instalar el controlador antes de conectar el cable USB a la impresora.

**Note:** Apague la impresora.

1. Apague la impresora.
2. Inserte el CD en su unidad CD-ROM. El CD se ejecuta automáticamente. Si el CD no se ejecuta, haga clic en *Start (Inicio) → Run (Ejecutar) → Browse (Examinar)*. Busque la unidad CD-ROM. Doble clic en *Install.exe*. Haga clic en *OK (Aceptar)*.
3. Seleccione su idioma. Acepte el Contrato de licencia.
4. Haga clic en *Install Driver [Instalar controlador]*.
5. Haga clic en *Local printer (Impresora local)*. Siga las instrucciones en pantalla.
6. Cuando se le indica, seleccione la emulación de la impresora (*PS o PCL*).
7. Cuando se le indica, conecte el cable USB y encienda la impresora.

### Haga una prueba de instalación de controladores de la impresora

Para asegurarse de que el software se instaló correctamente, imprima una página desde cualquier programa. Instale de nuevo el software si la instalación falla.

### Instalar utilidades y descargas

**Nota:** Debe estar conectado a la Internet para descargar utilidades (utilidades).

1. Seleccione *Optional Utilities (Utilidades opcionales)* o *Internet Downloads (Descargas de Internet)* de la barra del menú de instalación del CD.
2. Haga clic en las utilidades o descargas que desea instalar y siga las instrucciones.

### Windows: Active los Componentes opcionales que instaló

**Nota:** Si su impresora tiene instalada una segunda bandeja de papel opcional o Unidad de Disco Duro, debe usar el controlador para activarlos.

1. Haga clic en *Start (Inicio) → Settings (Configuración) → Printers (Impresoras) [and Faxes (y Faxes)]* en la barra de tareas de Windows.
2. Haga clic con el botón derecho en el nombre de la impresora, luego seleccione *Properties (Propiedades)*.

3. Haga clic en la ficha Device Option (Opciones de dispositivo).
4. Haga clic en Get Information From Printer (Obtener información sobre la impresora) para activar todas las opciones instaladas.
5. Clic en Apply (Aplicar). Clic en Aceptar.

## Macintosh

### Instale el controlador de la impresora

1. Encienda la impresora, luego encienda la computadora.
2. Coloque el CD que vino con la impresora, en la unidad CD-ROM.
3. Haga doble clic en el icono del CD que aparece en su escritorio.
4. Abra la carpeta MAC.
5. Haga doble clic en el icono de Instalador MAC. Aparece Installer (Instalador) con el controlador preseleccionado.
6. Seleccione las utilidades que desea instalar. Haga clic en Install (Instalar).

### Agregue la impresoras

1. Ejecute Print Center (Centro de impresión) o Print Setup Utility (Utilidad de Instalación de Impresión). Haga clic en Add (Agregar).
2. Haga clic en More Printers (Más impresoras).
3. Seleccione OKI USB, OKI TCP/IP, Rendezvous/ Bonjour o del menú desplegable.

**Nota:** Si está utilizando USB, seleccione OKI USB e ignore el paso 4.

4. Entre la dirección IP de la impresora.
5. Seleccione el modelo de su impresora. Haga clic en Add (Agregar).
6. Cierre Print Center (Centro de impresión).

### Definición de configuraciones de la impresora mediante una página Web

Mediante una función de página Web puede utilizar un explorador Web en un entorno con funciones TCP/IP para mostrar el estado de la impresora o de impresión de trabajos y cambiar los ajustes.

Entre los ajustes de impresora que se realizan en el panel de control, se pueden configurar los ajustes de sistema y de puertos de red en [Printer] (Impresora), [Network] (Red) y [Maintenance] (Mantenimiento) de la página Web.

**Nota:** La función de página Web sólo está disponible cuando la impresora está conectada a la red.

**Nota:** Consulte la Guía del Usuario si la página Web no aparece después de realizar los pasos 1 y 2 indicados a continuación:

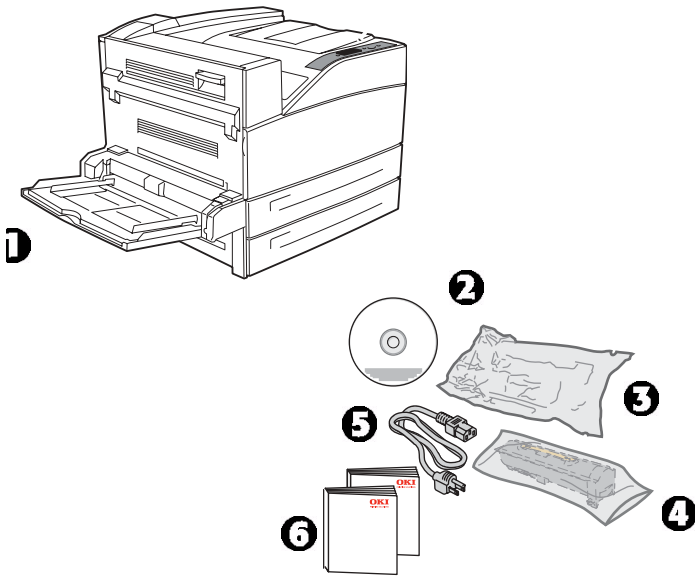
7. Inicie el ordenador y el explorador Web.
8. Introduzca la dirección IP o la URL de la impresora en la columna de entrada de direcciones en el explorador Web y pulse la tecla <Intro>.

## Asistencia Técnica y Soporte

- Visite nuestro sitio Web multilingüe: [www.okiprintingsolutions.com](http://www.okiprintingsolutions.com)
- Estados Unidos: llame al 1-856-222-7496
- México: llame al (5525) 263-8780



## Verifique os componentes:



- 1 Impressora
- 2 CD
- 3 Cartucho do cilindro OPC
- 4 Cartucho de toner
- 5 Cabo de alimentação
- 6 Documentação: (este Guia de Configuração; Guia de referência rápida; Informações sobre segurança, garantia e normativas)

## Visão geral sobre a Instalação

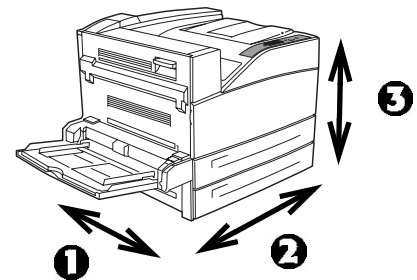
- **Requisitos de espaço (veja embaixo)**
- **Configure a impressora:**
  - Desembale a impressora (ver página 41)
  - Se aplicável, coloque a impressora sobre uma das bandejas opcionais (ver página 41)
  - Instale os cilindros OPC e o cartucho de toner no cilindro OPC (ver página 41)
  - Colocar papel (ver página 42)
- **Instale os componentes opcionais adquiridos:**
  - Módulo de memória (ver página 43)
  - Compact Flash (ver página 43)
  - Unidade de disco rígido, (ver página 43)
  - Bandeja tablóide (ver página 44)
  - Bandeja conjugada (ver página 44)
  - Unidade duplex (ver página 44)
  - Alceador (ver página 46)

- Alimentador de alta capacidade (ver página 48)
- **Conexões ao Computador (ver página 50)**
- **Para ligar a unidade (ver página 50)**
- **Impressão da página de demonstração (ver página 50)**
- **Instalação do software (ver página 50 [Windows] or 52 [Macintosh])**

## Espaço necessário

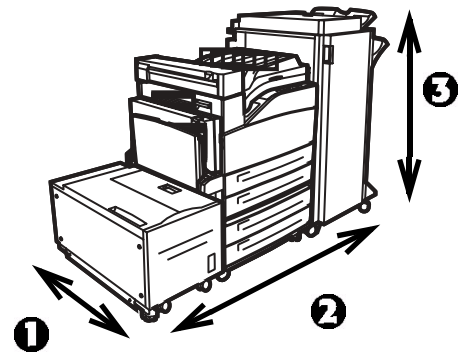
*Obs. : Espaço necessário são aproximadas.*

### Impressora básica



- Profundidade (1) = 118 cm
- Largura (2) = 120 cm
- Altura (3) = 69 cm

### Impressora com opcionais

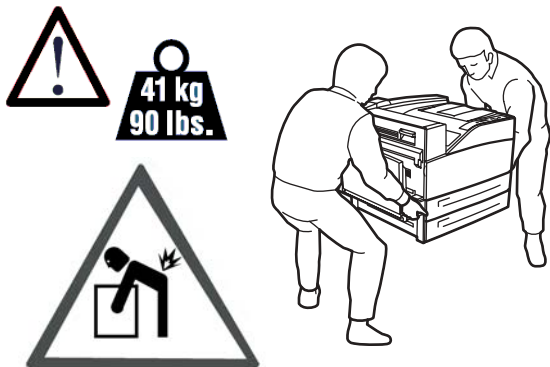


- Profundidade (1): 118 cm
- Largura (2):
  - com alimentador de alta capacidade = 118 cm)
  - com alceador = 153 cm
  - com alimentador de alta capacidade e alceador = 8218 cm
- Altura (3):
  - com bandeja opcional = 89 cm
  - com alceador = 119 cm

## Configure a impressora \_\_\_\_\_

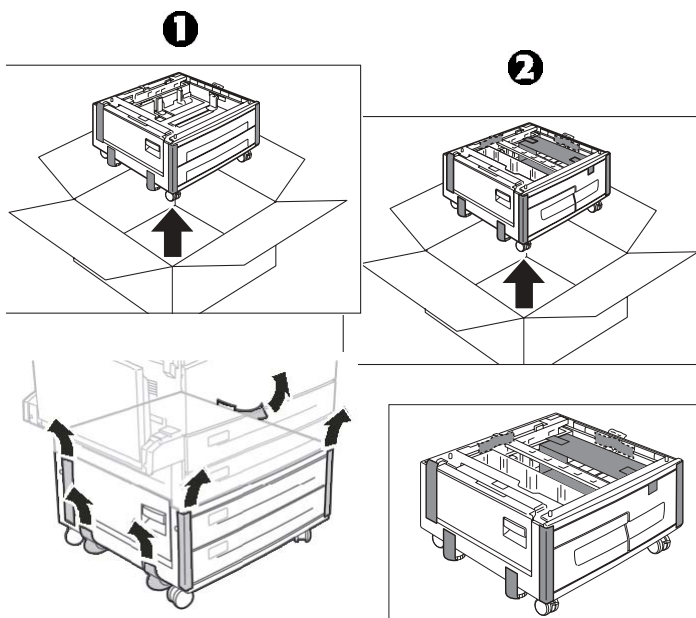
### Desembale a impressora

1. Coloque a impressora e todos os componentes opcionais no local escolhido.

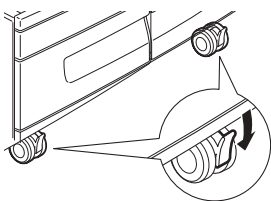


### Coloque a impressora sobre a bandeja opcional

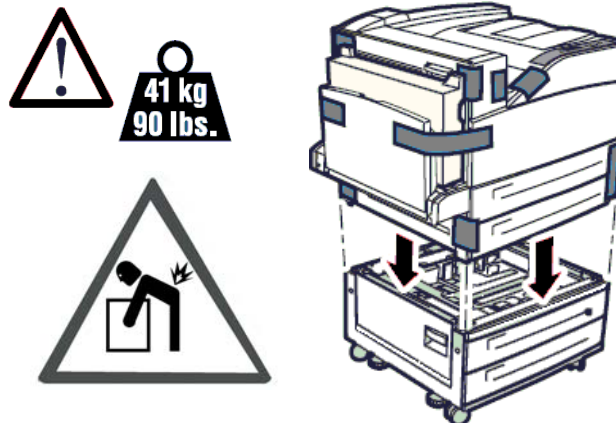
1. Caso tenha adquirido a bandeja tablóide (1) ou a bandeja conjugada (2), desembale o alimentador de papel e retire os materiais de proteção.



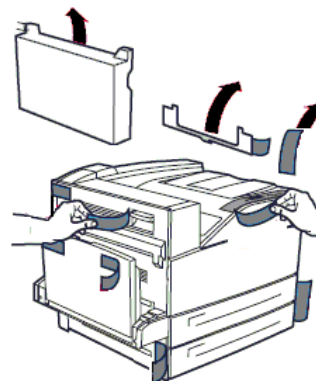
2. Trave os rodízios da bandeja.



3. Alinhe os orifícios localizados embaixo da impressora laser com os pinos de posicionamento do alimentador de papel e coloque a impressora laser sobre o alimentador de papel.

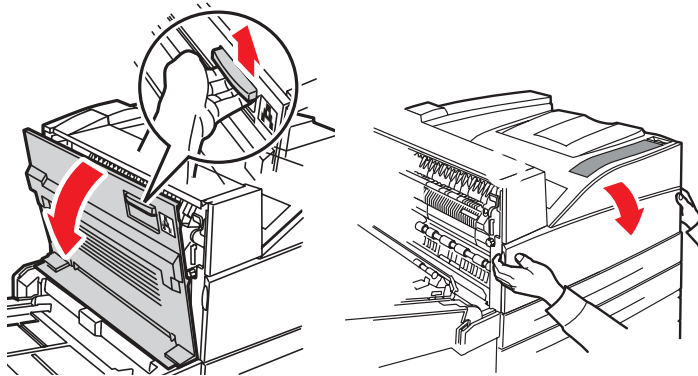


4. Impressora: retire os materiais de embalagem e as fitas adesivas para transporte..

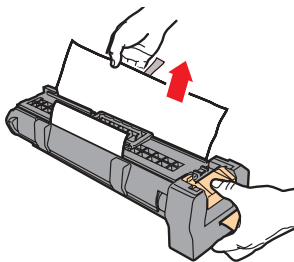


### Instale os cilindros OPC e o cartucho de toner no cilindro OPC

1. Abra as tampas frontal e lateral da impressora.

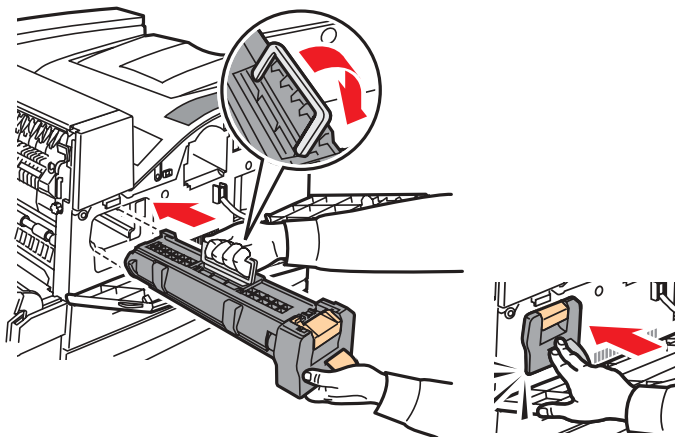


2. Retire o cartucho do cilindro OPC da embalagem. Retire a folha de proteção.

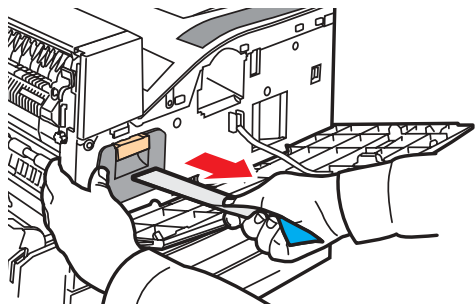


**ATENÇÃO! Evite o contato com as superfícies internas e limite a exposição à luz a menos de 5 minutos**

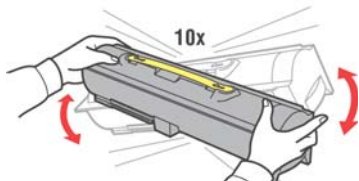
3. Dobre o pegador para baixo e insira o cartucho do cilindro OPC na impressora. Encaixe firmemente o cartucho do cilindro OPC na impressora.



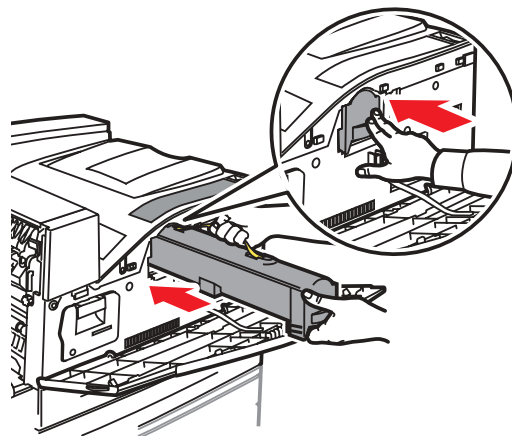
4. Retire e descarte a tira de proteção.



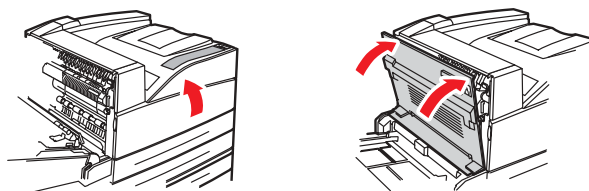
5. Retire o cartucho de toner da embalagem. Tire o cartucho de toner da embalagem e agite-o 8 a 10 vezes, como mostra a figura.



6. Insira o cartucho de toner na impressora e encaixe-o firmemente no lugar.



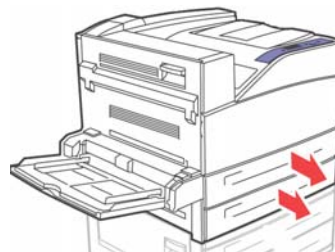
7. Feche as tampas da impressora.



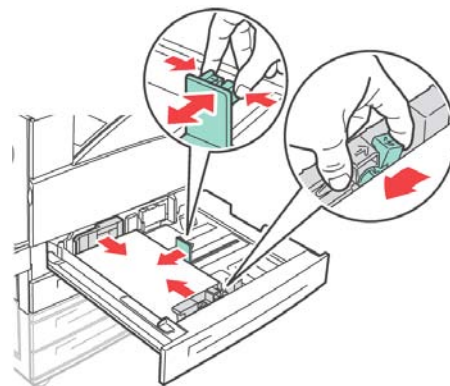
## Colocar papel

### Bandejas 1 e 2

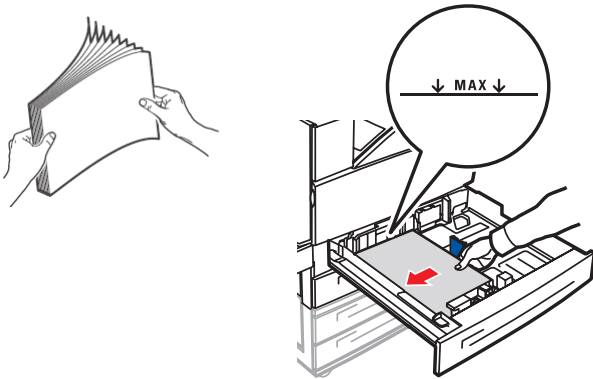
1. Puxe a(s) bandeja(s) para papel para fora.



2. Se necessário, ajuste as guias do papel ao tamanho do papel.



3. Ventile o papel. Coloque o papel na bandeja, impressão *para cima*. **Não coloque papel acima da linha indicadora de capacidade da bandeja nem acima da capacidade máxima permitida.**

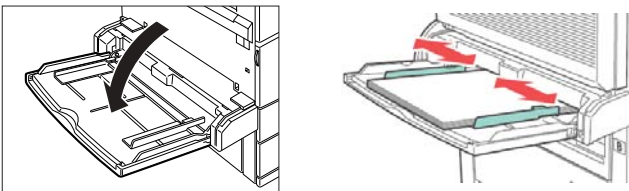


**Cuidado!** Alinhe corretamente a guia de ajuste da largura direita com a largura do papel. Se a guia de ajuste da largura direita não estiver posicionada corretamente, o papel não será alimentado como deve, podendo resultar em um atolamento de papel.

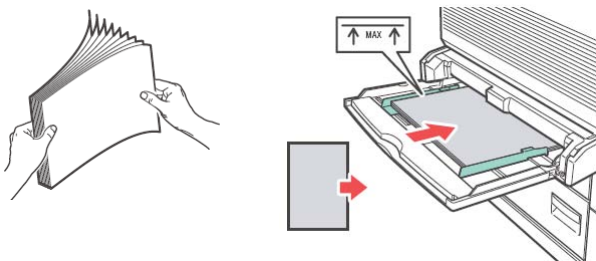
4. Feche a bandeja(s).

#### **Bandeja do alimentador multifuncional (Bandeja 5)**

1. Abaixe a bandeja do alimentador multifuncional. Ajuste as guias do papel para o tamanho do papel.



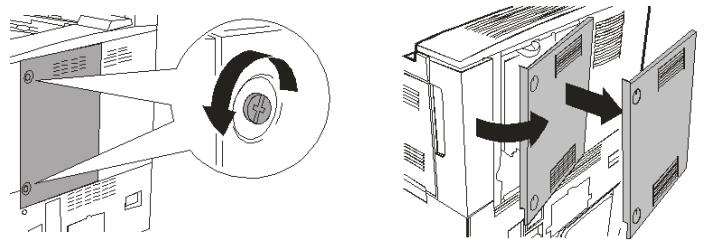
2. Ventile o papel. Insira o papel na bandeja, impressão *para baixo*. **Não coloque papel acima da linha indicadora de capacidade da bandeja nem acima da capacidade máxima permitida.**



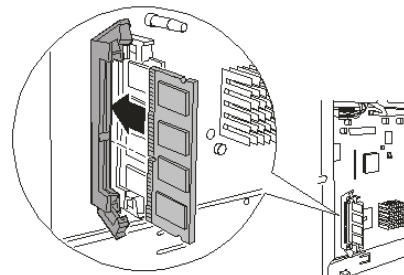
## **Instale os componentes opcionais adquiridos**

### **Instale dos módulos de memória, Compact Flash, e/ou Unidade de disco rígido (HDD)**

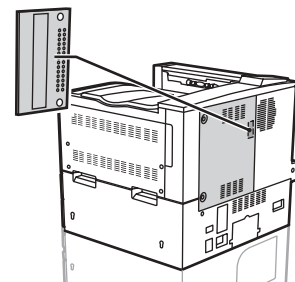
1. Certifique-se de que a impressora esteja desligada..
2. Atrás da impressora: gire os parafusos do conjunto do controlador no sentido anti-horário até se soltarem e puxe com cuidado a tampa em sua direção para retirá-la da impressora.



3. **Módulos de memória:** Insira com cuidado um módulo de memória no soquete, como ilustrado abaixo. Quando estiver bem encaixado, empurre o módulo para baixo com cuidado até que as presilhas laterais se fechem sobre as extremidades do módulo de RAM.

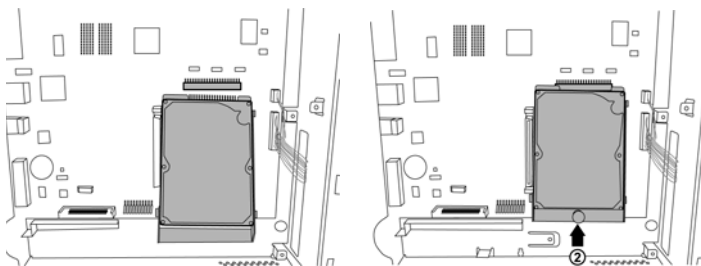


4. **Compact Flash:** Insira com cuidado o módulo Compact Flash no soquete no lado direito superior, de maneira semelhante à descrita para o módulo de memória, acima.





5. **Unidade de disco rígido:** Insira com cuidado o disco rígido no conector de modo a não danificar os pinos frágeis. Coloque o disco rígido sobre os pinos posicionadores e empurre-o firmemente para encaixar a unidade.



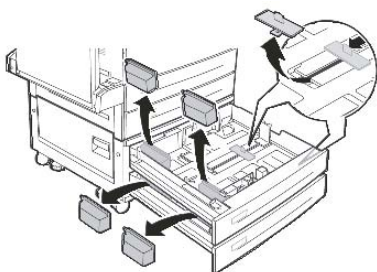
6. Reinstale a tampa, prendendo-o com as tampas.

## Conclua a instalação da bandeja tablóide ou da bandeja conjugada opcional

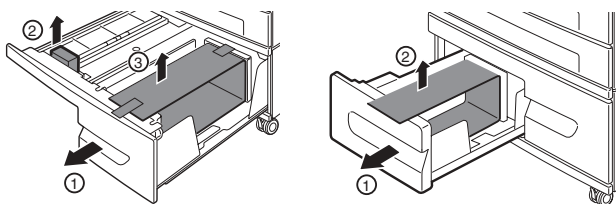
Caso tenha adquirido a bandeja tablóide ou a bandeja conjugada opcional e colocado a impressora sobre ela no início da instalação, será necessário concluir a instalação.

1. Certifique-se de que a impressora esteja desligada.
2. Abra as duas gavetas, retire todo o material de embalagem das duas gavetas, e feche as duas gavetas.

### - Bandeja tablóide

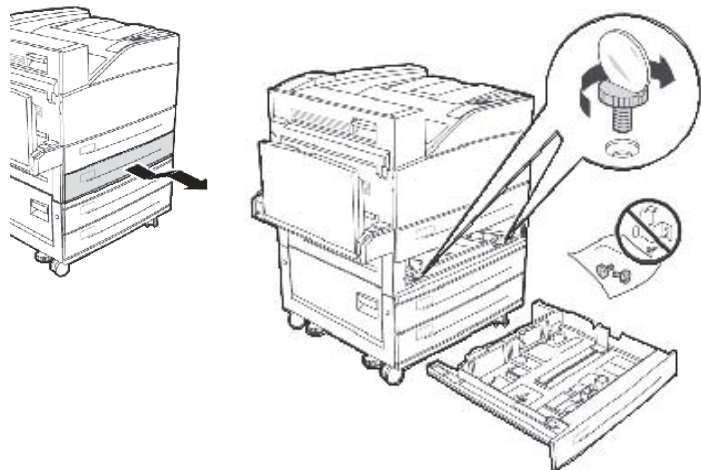


### - Bandeja conjugada

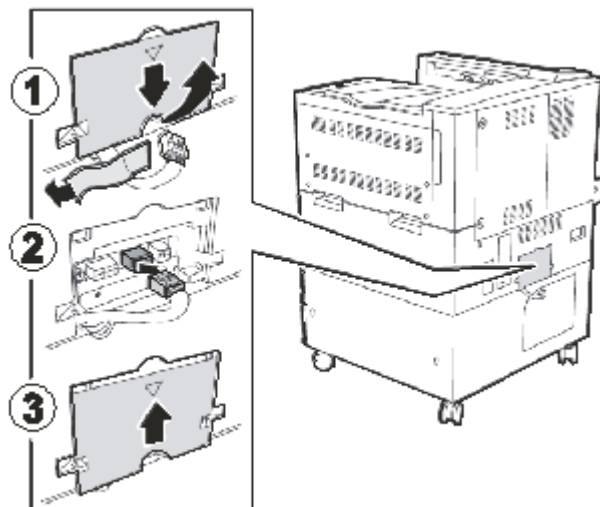


3. Retire a gaveta 3 da impressora. Insira os dois parafusos de fixação, girando-os no sentido

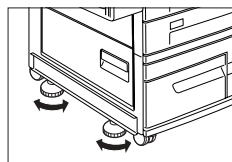
horário para prender a impressora ao alimentador.



4. Recoloque a gaveta 3 na impressora.
5. Retire a tampa de acesso ao painel da interface da impressora (1), conecte o cabo de interface do alimentador de 1000 folhas (2) e recoloque a tampa de acesso ao painel de interface da impressora (3).



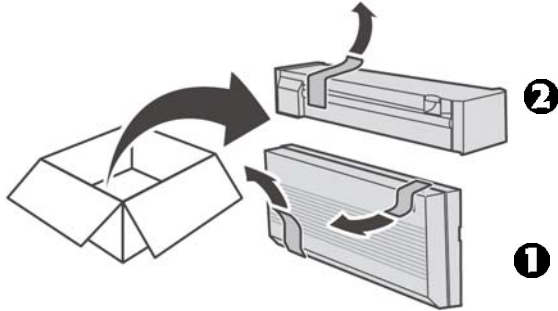
6. Ajuste os pés niveladores.



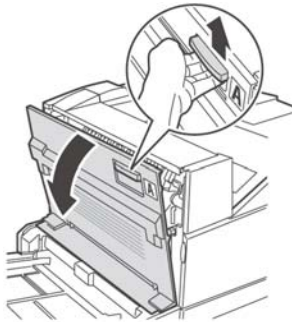
## Instale Unidade duplex opcional

1. Certifique-se de que a impressora esteja desligada.

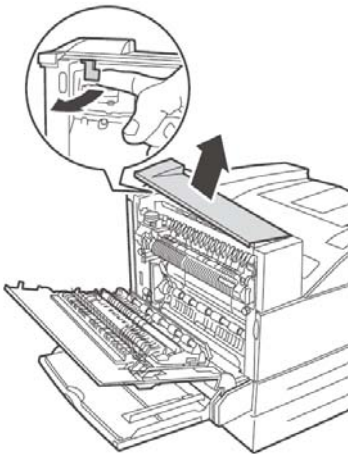
2. Desembale a unidade duplex opcional (unidade duplex [1] e módulo da saída [2]). Retire os materiais de proteção.



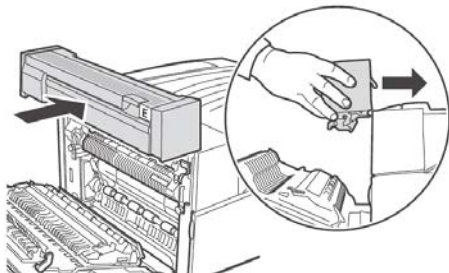
3. Abra a tampa A da impressora.



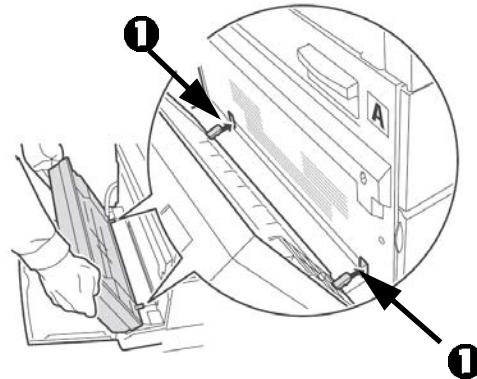
4. Retire a tampa e guarde-a caso seja necessária no futuro.



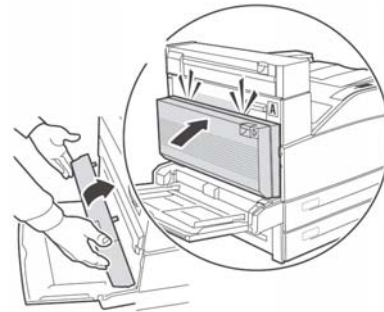
5. Encaixe o módulo da saída no lugar.



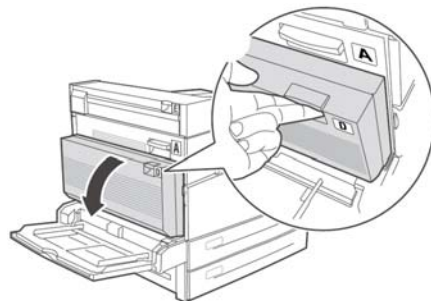
6. Feche a tampa A da impressora.  
7. Posicione a unidade duplex no lugar inserindo os dois ganchos localizados na parte inferior da unidade nos locais de encaixe da impressora (1).



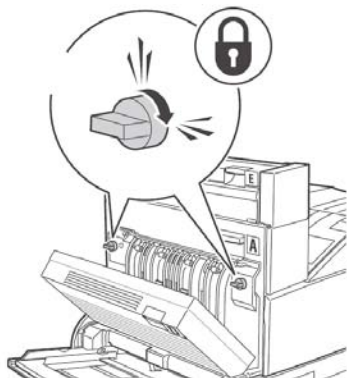
8. Levante a unidade duplex até que os ganchos superiores fiquem presos na impressora.



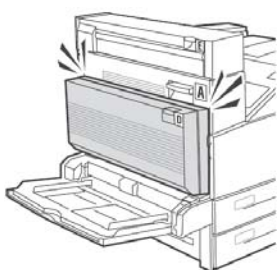
9. Abra a tampa da unidade duplex levantando a trava.



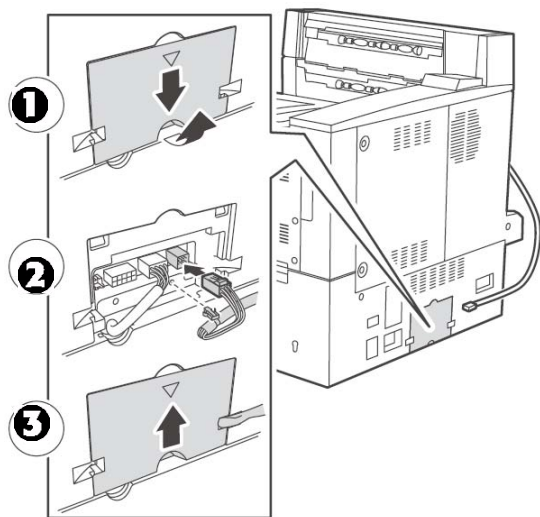
10. Gire os dois parafusos de retenção no sentido horário para prender a unidade duplex na impressora.



11. Feche a tampa da unidade duplex



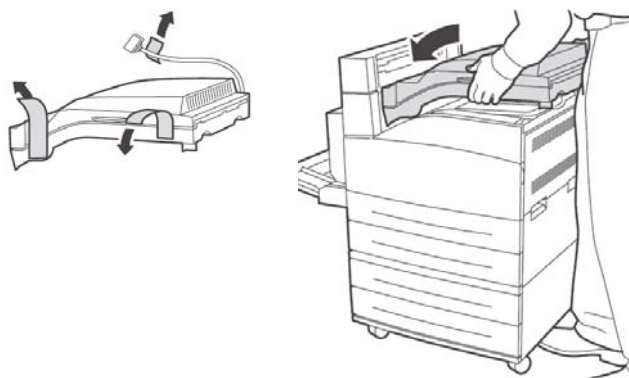
12. Retire a tampa de acesso da impressora (1), conecte o cabo de interface da unidade duplex (2) e recoloca a tampa de acesso da impressora (3).



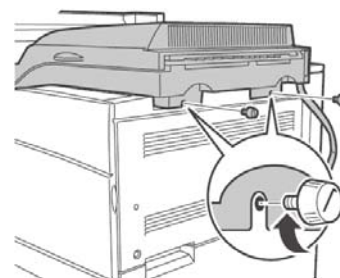
## Instale o alceador opcional

1. Certifique-se de que a impressora esteja desligada.

2. Desembale a unidade de transferência horizontal e coloque-a em cima da impressora



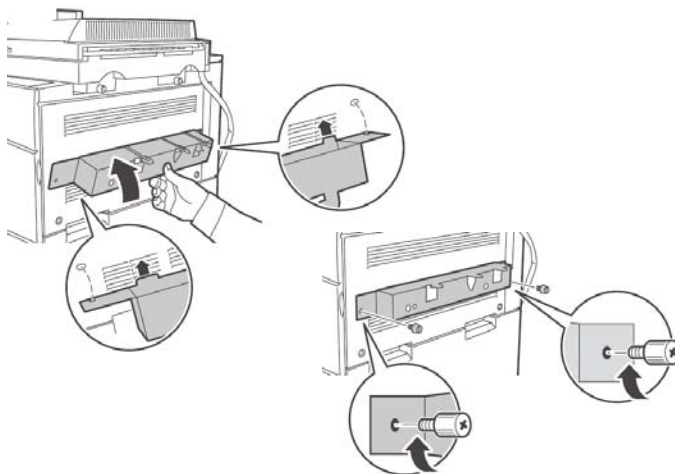
3. Insira os dois parafusos de fixação para prender a unidade de transferência horizontal.



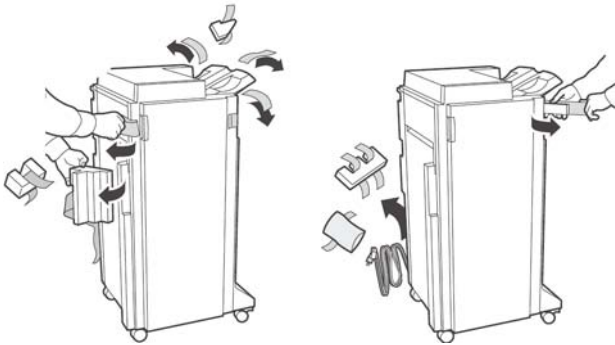
4. As guias da impressora devem ser movidas para o módulo de saída.

As guias são dois pedaços de borracha e plástico cuja finalidade é facilitar o empilhamento de papel na parte superior da impressora. Para instalar a unidade de transferência horizontal, as guias precisam ser movidas do corpo da impressora para o módulo da saída, incluído com a unidade duplex.

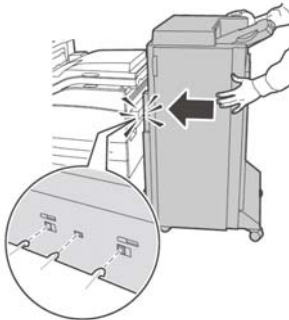
5. Coloque o suporte de instalação no lugar e insira os dois parafusos de fixação para prender o suporte it.



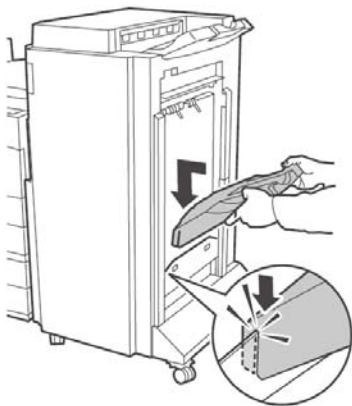
6. Retire todo o material de embalagem do alceador.



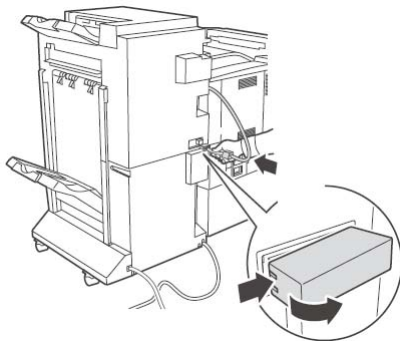
7. Empurre o alceador no lugar até que os componentes de encaixe fiquem presos.



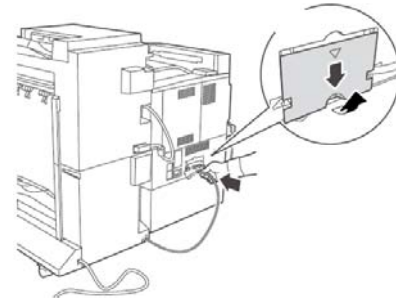
8. Instale o escaninho empilhador inferior.



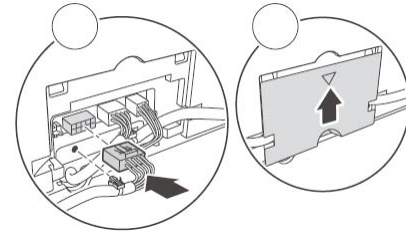
9. Retire a tampa de acesso e conecte o cabo de interface do alceador.



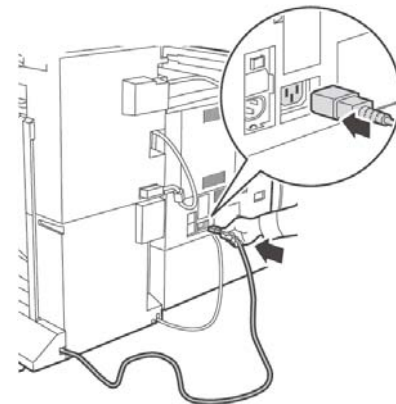
10. Retire a tampa de acesso ao painel de interface da impressora.



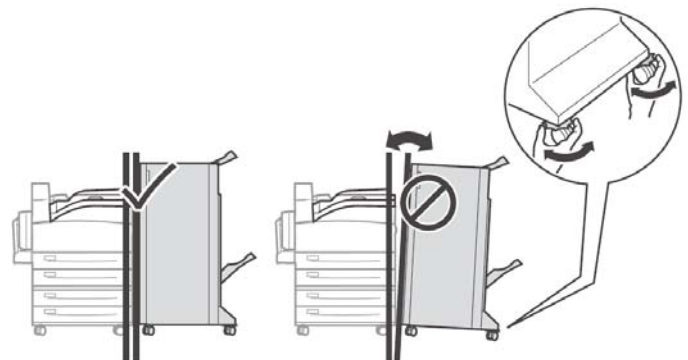
11. Conecte o cabo de interface e recoloque a tampa.



12. Conecte o cabo de alimentação do alceador na tomada elétrica para acessórios da impressora.



13. Nivele o alceador para que fique paralelo com a impressora.

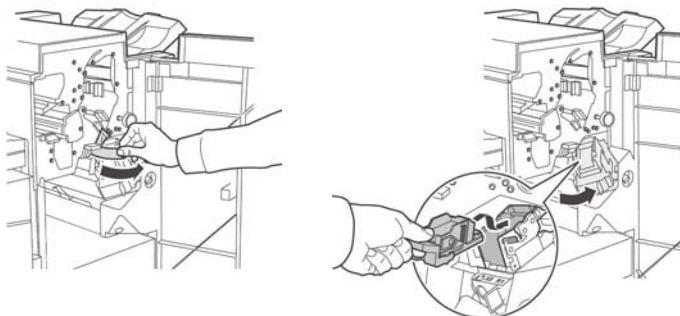




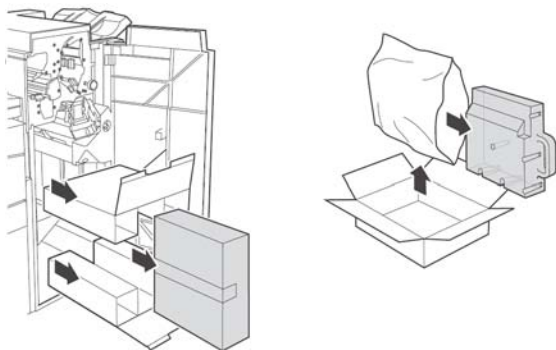
14. Abra a porta do alceador. Retire as etiquetas internas e as presilhas de transporte.



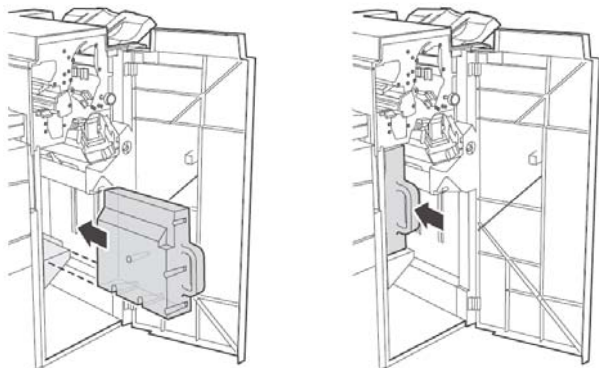
15. Mova o pegador para a direita. Insira o módulo do grampeador.



16. Desembale a caixa de resíduos do furador



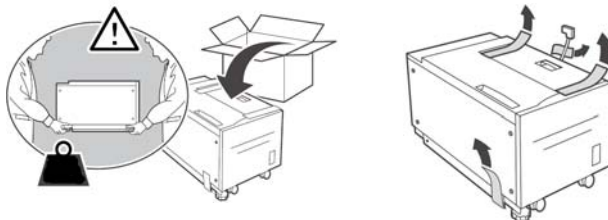
17. Insira o recipiente de armazenamento de pó do furador. Encaixe-o bem no lugar.



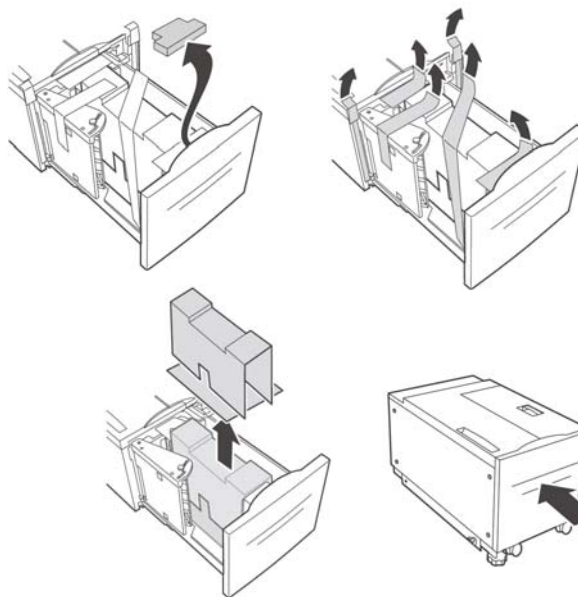
18. Feche a porta do alceador.

## Instale o Alimentador de alta capacidade (AAC) opcional

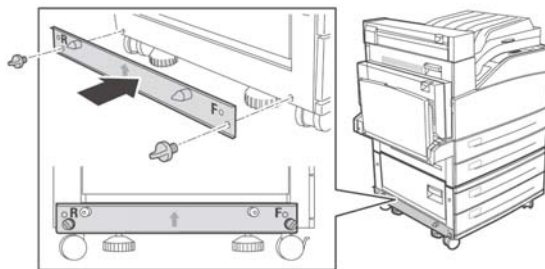
1. Certifique-se de que a impressora esteja desligada.
2. Desembale o AAC e retire todos os materiais utilizados para o transporte.



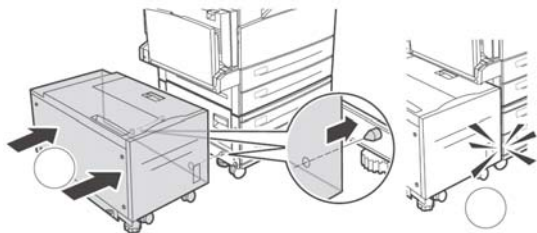
3. Abra a gaveta do ADD e retire o material de embalagem da gaveta do alimentador. Feche a gaveta do alimentador.



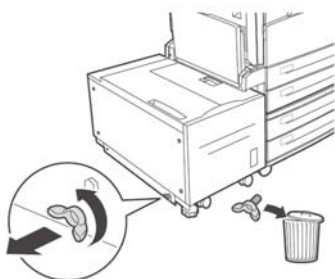
4. Instale a placa de encaixe.



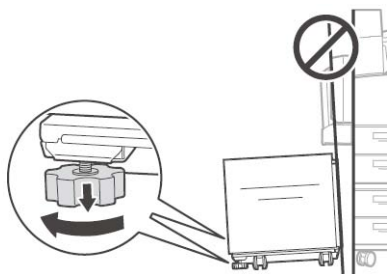
5. Empurre o AAC de encontro à placa de encaixe, alinhando-o com o pino de posicionamento até que se encaixe.



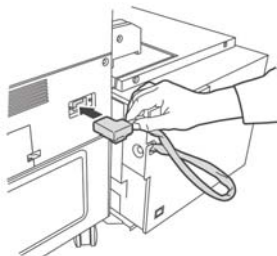
6. Retire os retentores usados para o transporte e descarte-os.



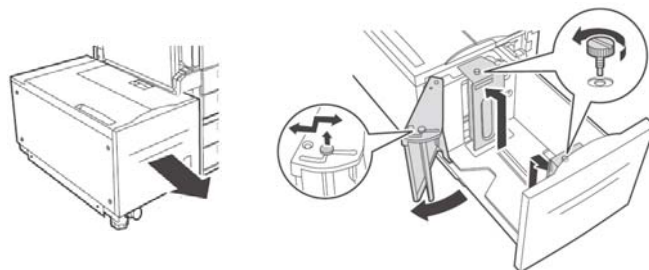
7. Ajuste os pés do conjunto do alimentador para que a unidade fique alinhada com a impressora.



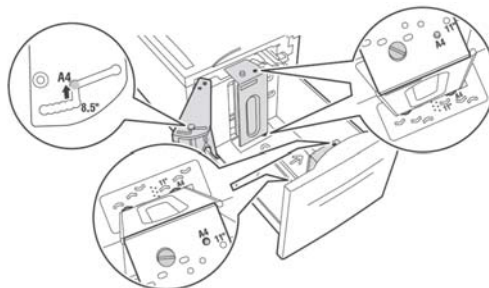
8. Conecte o cabo de alimentação do alimentador na tomada para acessórios da impressora.



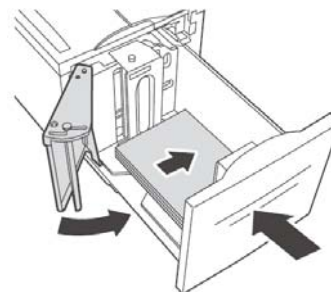
9. Abra a gaveta do alimentador e retire os parafusos utilizados para o transporte da unidade.



10. Ajuste as guias do papel de acordo com o tamanho do papel.

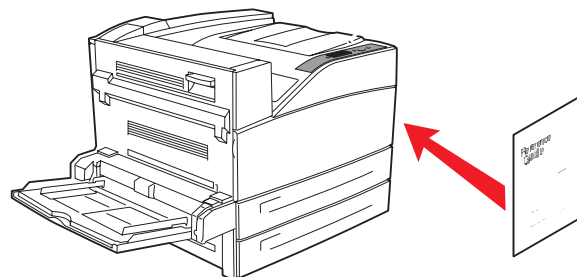


11. Coloque papel na bandeja.



## Instalação do Manual Prático de Consulta

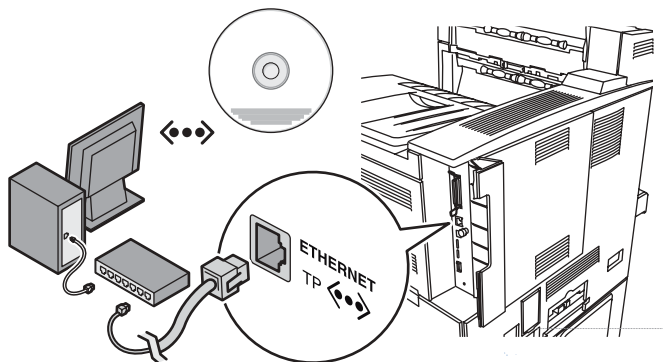
Retire a parte posterior da faixa de VELCRO® situada atrás do Manual Prático de Consulta e afixe-o na lateral da impressora.



## Conexões ao Computador

### Conexão em rede

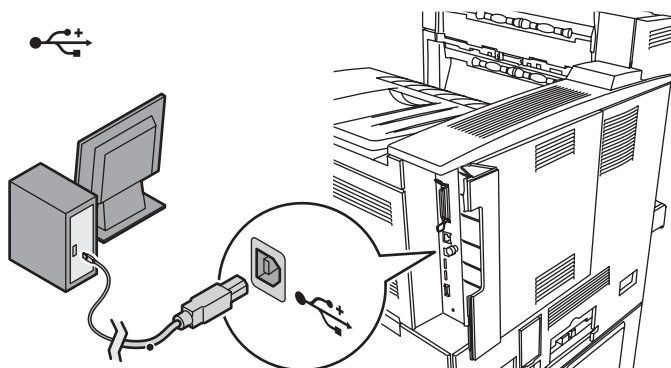
Conecte o cabo Ethernet entre a impressora (b) e o hub ou roteador Ethernet.



### Conexão USB

**Obs. :** Instalação do software da impressora **PRIMEIRO** antes de ligar o cabo USB ao computador.

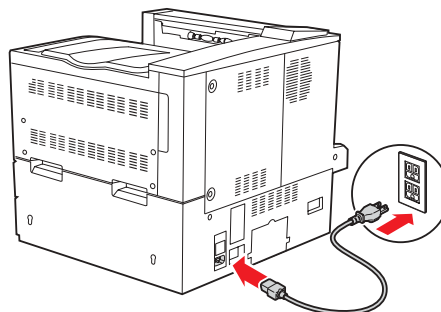
Conecte o cabo USB à porta USB no computador e, em seguida, conecte-o à porta USB na impressora.



### Para ligar a unidade

**AVISO!** Certifique-se de usar o cabo de alimentação fornecido com a impressora! O uso de um cabo de alimentação não fornecido com o produto ou de uma extensão pode resultar em **superaquecimento e colocar em risco a segurança.**

1. Insira o cabo de alimentação na unidade (a). Conecte a outra extremidade a uma tomada aterrada apropriada.



2. Ligue a impressora.

**Cuidado!** Não conecte este produto a um sistema de energia ininterrupto (UPS - no-break). Para obter mais informações, entre em contato com a Oki Data pelo número 0800-11-55-77 ou visite [www.okiprintingsolutions.com](http://www.okiprintingsolutions.com).

## Impressão da página de demonstração

1. Pressione o botão **MENU**.
2. Pressione o botão **NEXT** (▲) uma ou mais vezes até que o INFORMATION MENU [Menu de informações] apareça no display.
3. Pressione o botão **SELECT** to enter the menu.
4. Pressione o botão **NEXT** (5) uma ou mais vezes até que o PRINT DEMO [Imprimir amostra] apareça no display.
5. Pressione o botão **SELECT**. A página de demonstração será impressa.

## Instalação do software

### Instalação em rede Windows

**Obs. :** Para obter mais informações, consulte a seção "Rede" da versão eletrônica do Manual do Usuário.

### Imprima folhas de configuração

1. Ligue a impressora e aguarde até que a luz de status do servidor da impressora pare de piscar.
2. Pressione o botão INFO no painel de operação para imprimir as páginas de informações da rede. Guarde estas folhas para consulta: elas contêm informações necessárias para configurar a impressora na rede.

## Instale o driver da impressora

1. Insira o CD na unidade de CD-ROM. O CD será executado automaticamente. *Se isto não acontecer, clique em Start (Iniciar) → Run (Executar) → Browse (Procurar). Selecione a unidade de CD-ROM. Clique duas vezes no arquivo Install.exe. Clique em OK.*
2. Selecione o idioma.
3. Aceite o Contrato de Licença.
4. A tela de Installer será exibida
5. Clique em Install Drivers (Instalar drivers).
6. Selecione Network Printer [Impressora de rede].
7. Selecione TCP/IP.
8. Digite o endereço IP.
9. Siga as instruções exibidas na tela.

## Teste a instalação do software

1. Para confirmar se o driver da impressora está instalado corretamente, envie um trabalho de impressão de qualquer programa.
2. Reinstale o driver se a impressão falhar.

## Em rede do Configurar Atraves da página da Internet embutida (Opcionais)

Use o navegador para configurar o servidor de impressão, e as configurações do menu da impressora em uma pagina da web embutida.

**Obs. :** Para obter mais detalhes, consulte o Manual do Usuário de Rede contido no CD fornecido.

1. Lance o programa de navegação (Microsoft Explorer<sup>®/™</sup>, Mozilla<sup>®</sup> Firefox<sup>®</sup>, e Netscape Navigator<sup>™</sup> 4.4 ou superior).
2. Digite o endereço IP da impressora. Encontrado nas folhas de configuração com as Informações da rede (Consulte na página 34).
3. Clique em uma guia para exibir uma categoria específica.

## Utilitários e downloads

**Obs. :** Você deve estar conectado à Internet para instalar os downloads da Internet.

1. Selecione Optional Utilities (Utilitários opcionais) ou Internet Downloads (Downloads da Internet) na barra de menus do Programa de Instalação no CD.
2. Clique nos utilitários e downloads que deseja instalar e siga as instruções.

## Windows USB

### Instale o driver da impressora

**Obs. :** Instale o driver primeiro antes de ligar o cabo USB ao impressora.

1. Desligue a impressora.
2. Insira o CD na unidade de CD-ROM. O CD será executado automaticamente. *Se isto não acontecer, clique em Start (Iniciar) → Run (Executar) → Browse (Procurar). Selecione a unidade de CD-ROM. Clique duas vezes no arquivo Install.exe. Clique em OK.*
3. Selecione o idioma. Aceite o contrato de licença.
4. Clique em Install Driver [Instalação do driver]..
5. Selecione Local printer [Impressora local]. Siga as instruções exibidas na tela.
6. Quando solicitado, selecione Printer Emulation (Emulação da Impressora) [PS ou PCL].
7. Quando solicitado, conecte o cabo USB e ligue a impressora.

### Teste a instalação do driver da impressora

Para confirmar se o driver da impressora está instalado corretamente, envie um trabalho de impressão de qualquer programa. Reinstale o driver se a impressão falhar.

### Instalação dos utilitários e downloads

**Obs. :** Você deve estar conectado à Internet para fazer o download dos utilitários.

1. Selecione Optional Utilities (Utilitários opcionais) ou Internet Downloads (Downloads da Internet) na barra de menus do Programa de Instalação no CD.
2. Clique nos utilitários e downloads que deseja instalar e siga as instruções.

## Windows: Ative os acessórios opcionais que instalou

**Obs. :** Se a impressora tiver uma segunda bandeja para papel opcional ou um disco rígido instalada, é necessário ativá-las no driverr.

1. Clique em Start (Iniciar) → Settings (Configurações) → Printers (& Faxes) [Impressoras (e faxes)] na barra de tarefas do Windows.
2. Clique com o botão direito do mouse no nome da impressora, em seguida clique em Propriedades.
3. Clique na guia Device Option (Opções do dispositivo).



4. Clique em Get Information From Printer (Obter informações da impressora) para ativar todos os opcionais instalados.
5. Clique em Apply [Aplicar]. Clique em OK.

## Macintosh

### Instale o driver da impressora

1. Ligue a impressora. Em seguida, ligue o computador.
2. Insira o CD do Driver na unidade de CD-ROM.
3. Clique duas vezes no ícone do CD da OKI exibido no área de trabalho.
4. Clique duas vezes no ícone do MAC.
5. Clique duas vezes no ícone do Mac Installer [Programa de Instalação MAC]. O Programa de Instalação será exibido com o driver pré-selecionado.
6. Selecione os utilitários que deseja instalar. Clique em Install (Instalar).

### Adição da impressora

1. Execute o Print Center [Centro de impressão] ou Print Setup Utility [Utilitário de configuração de impressão]. Clique em Add [Adicionar].
2. Clique em More Printers (Mais impressoras).
3. Selecione OKI USB, OKI TCP/IP, ou Rendezvous/Bonjour no menu suspenso.

**Obs. :** Se estiver usando USB, selecione USB e ignore as próximas etapa 4.

4. Digite o endereço IP da impressora.
5. Selecione o modelo da impressora a ser instalada. Clique em Add [Adicionar].
6. Saia do Print Center (Centro de Impressão).

### Configuração da impressora por meio de uma página da Web

Com o recurso de uma página da Web, é possível usar um navegador da Web em um ambiente habilitado por TCP/IP para exibir o status da impressora ou do trabalho de impressão e para alterar as configurações.

Entre as configurações da impressora, feitas no painel de controle, as configurações para as portas do sistema e da rede podem ser definidas em [Printer (Impressora)], [Network (Rede)] e [Maintenance (Manutenção)] na página da Web.

**Obs. :** O recurso da página da Web estará disponível somente quando a impressora estiver conectada à rede.

**Obs. :** Consulte o Guia do Usuário de Rede se a página da Web não for exibida depois de executar as etapas 1 e 2 abaixo:

1. Inicie o computador e abra o navegador da Web.
2. Digite o endereço IP da impressora ou a URL na coluna de entrada de endereço no navegador da Web e pressione a tecla <Enter>.

## Assistência técnica e suporte

- Visite nosso site multilíngüe na Web: [www.okiprintingsolutions.com](http://www.okiprintingsolutions.com)
- Ligue para 0800-11-55-77.