

User's Guide



Copyright Information

Copyright © 2010 by Oki Data. All Rights Reserved

C330/C530 User's Guide

P/N 59321301, Revision 1.0

June, 2010

Disclaimer

Every effort has been made to ensure that the information in this document is complete, accurate, and up-to-date. The manufacturer assumes no responsibility for the results of errors beyond its control. The manufacturer also cannot guarantee that changes in software and equipment made by other manufacturers and referred to in this guide will not affect the applicability of the information in it. Mention of software products manufactured by other companies does not necessarily constitute endorsement by the manufacturer.

While all reasonable efforts have been made to make this document as accurate and helpful as possible, we make no warranty of any kind, expressed or implied, as to the accuracy or completeness of the information contained herein.

The most up-to-date drivers and manuals are available from the web site: <http://www.okiprintingsolutions.com>.

Trademark Information

Oki and Oki Data are registered trademarks of Oki Electric Industry Company Ltd.

Apple, Macintosh and Mac OS are registered trademarks of Apple Computers Inc.

Hewlett-Packard, HP, and LaserJet are registered trademarks of Hewlett-Packard Company.

Microsoft, MS-DOS and Windows are either registered trademarks or trademarks of Microsoft Corporation in the United States and/or other countries.

Other product names and brand names are registered trademarks or trademarks of their proprietors.

Emergency First Aid

Take care with toner powder:

If swallowed, give small amounts of cold water and seek medical attention. DO NOT attempt to induce vomiting.

If inhaled, move the person to an open area for fresh air. Seek medical attention.

If it gets into the eyes, flush with large amounts of water for at least 15 minutes keeping eyelids open. Seek medical attention.

Spillages should be treated with cold water and soap to help reduce risk of staining skin or clothing.



Note:

Images used in this manual may include optional features that your product does not have installed.

Contents

Notes, Cautions and Warnings	6
Introduction	7
Overview	8
Front View	8
Multi-Purpose Tray (MPT) View	9
Interior View	10
Rear View	11
.	11
Changing the Display Language	12
Getting Started	12
Power Save Mode	12
Switching off	13
Paper Recommendations	14
Tray 1 and Optional Tray 2	15
Media sizes	15
Media Weight Settings	15
Multi Purpose Tray	16
Face Down Stacker	16
Face Up Stacker	16
Duplex	16
Loading Paper	17
Tray 1 and Optional Tray 2	17
Multi-Purpose Tray	23
Menu Functions	28
Operator Panel	28
How to Print the Menu Map	31
How to Change the Settings: Users	32
How to Change the Settings: Administrator	33
Menus	34
Print Jobs Menu: Model C530 Only	34
Information Menu	36
Shutdown Menu	37
Print Menu	38
Media Menu	41
Color Menu	45
Sys Config Menu	47
PCL Emulation Menu	49
PPR Emulation Menu	51
FX Emulation Menu Calibration	53
USB Menu	54

Contents (cont.)

Network Menu	55
Memory Menu	58
Sys Adjust menu	58
Maintenance Menu	60
Usage Menu	61
Administrator Menu	62
Print Statistics Menu	75
Replacing Consumables and Maintenance Items	77
Order Information	77
Toner Cartridge Replacement	78
Image Drum Replacement.	84
Replacing the Transfer Belt Unit	92
Fuser Replacement	99
Cleaning the LED Head	103
Cleaning the Housing.	105
Available Options	107
Additional Memory	107
SD Card.	107
Additional Paper Tray	108
Troubleshooting	109
Paper Sensor Error Codes	110
Clearing Paper Jams.	111
Troubleshooting Print Problems.	127
Utilities.	131
Utilities: Windows	131
Color Software Utilities.	132
Network Software Utilities	132
Optional Utilities	132
Internet Downloads	133
Utilities: Mac OS X	133
Specifications	135

Notes, Cautions and Warnings

Note:

A note appears in this manual like this. A note provides additional information to supplement the main text which may help you to use and understand the product.

CAUTION!

A caution appears in this manual like this. A caution provides additional information which, if ignored, may result in equipment malfunction or damage.

WARNING!

A warning appears in this manual like this. A warning provides additional information which, if ignored, may result in a risk of personal injury.

Introduction

Your printer includes these features:

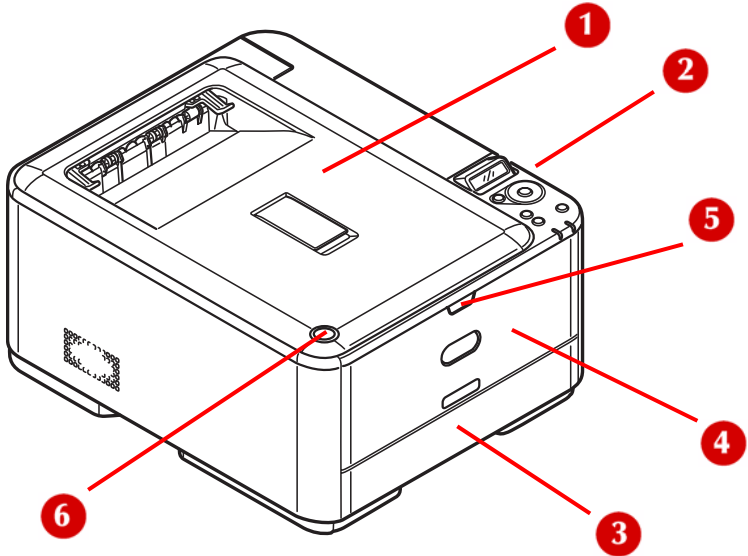
- High Definition Color (HD Color), multi-level technology produces more subtle tones and smoother gradations of color to lend photographic quality to your documents;
- 600 x 600, 1200 x 600 dpi (dots per inch) and High Definition Color (HD Color) print resolution for high quality image production showing the finest detail;
- Internet Protocol version 6 (IPv6);
- Single Pass color Digital LED technology for high speed processing of your printed pages;
- PostScript 3, PCL 5C, PCL 6 and Epson FX emulations for industry standard operation and wide compatibility with most computer software;
- 10Base-T and 100Base-TX network connection lets you share this valuable resource among users on your office network;
- Photo Enhance mode to improve printouts of photographic images (Windows PCL driver only);
- Automatic two-sided (duplex) printing for economical use of paper and compact printing of larger documents;
- Template Manager utility for Windows enables the design and print of business cards, banners, labels with ease.

Additionally, the following optional features are also available:

- Additional paper tray for loading a further 530 sheets to minimize operator intervention, or different paper stocks for letterhead stationery, alternative paper sizes or other print media;
- Additional memory allows printing of more complex pages. For example, high resolution banner printing;
- Model C530 only: SD card for storage of overlays, macros and downloadable fonts, and automatic collation of multiple copies of multipage documents and the download of ICC Profiles.

Overview

Front View



1. Output stacker, face down

Standard printed copy delivery point. Holds up to 150 sheets of 20 lb. US Bond or 80 g/m² paper.

2. Operator panel

Menu driven operator controls and LCD* panel.

3. Paper tray

Standard paper tray. Holds up to 250 sheets of 20 lb. US Bond or 80 g/m² paper.

4. Multi purpose tray

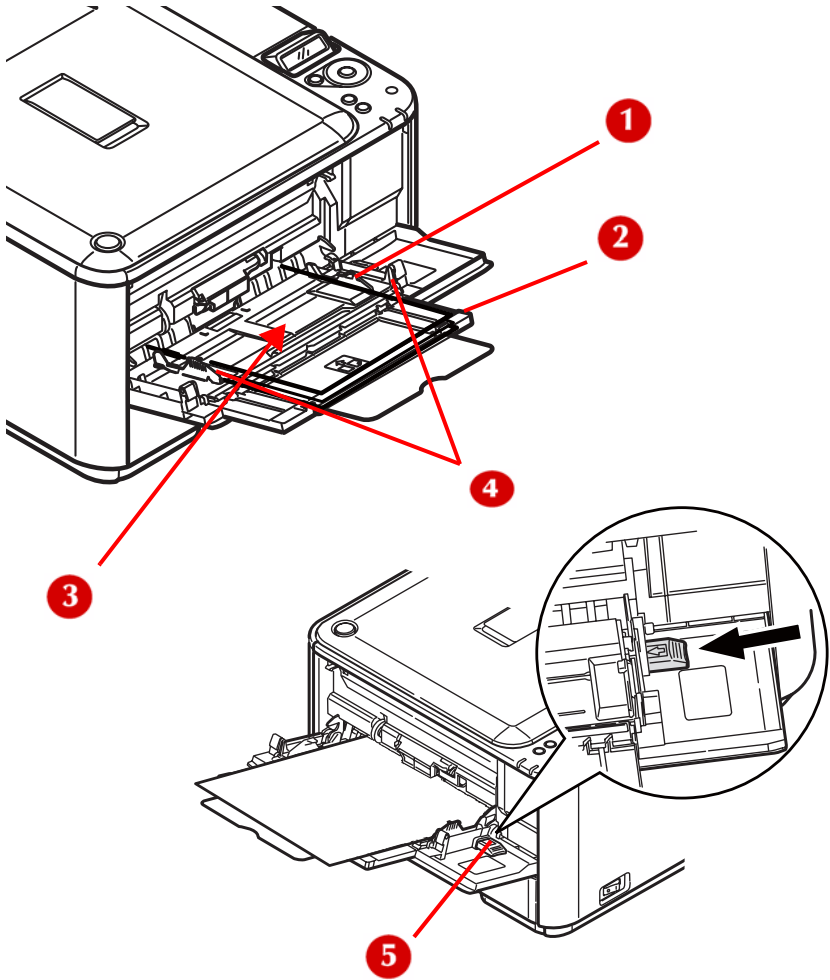
Used for feeding heavier paper stocks, envelopes and other special media. Also for manual feeding of single sheets when required.

5. Multi-purpose tray release recess

6. Top cover release button

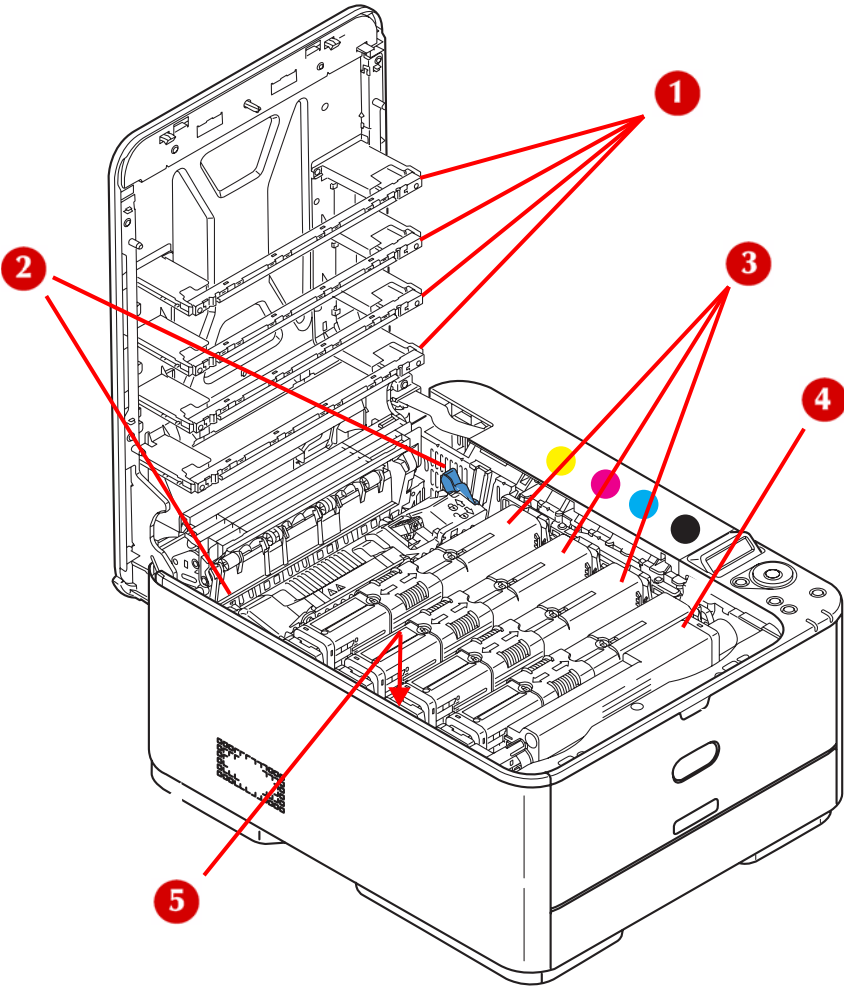
*The display language can be changed to show English, French, Spanish or Portuguese.

Multi-Purpose Tray (MPT) View



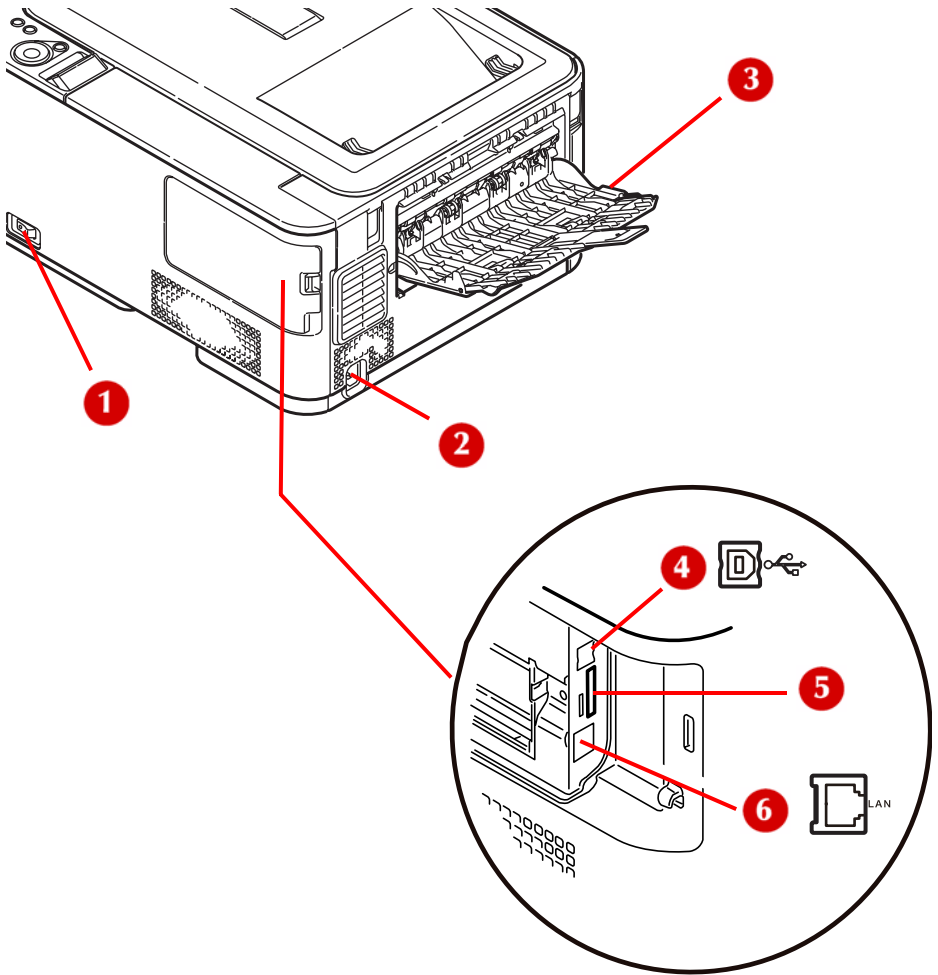
- 1. MPT paper level indicator
- 1. Paper support
- 1. Paper platform
- 1. Paper Guides
- 1. Tray Latch Button

Interior View



- 1. LED heads
- 2. Fuser release levers
- 3. Toner Cartridges (● ● ●)
- 4. Black Toner Cartridge
- 5. Drum Unit

Rear View



1. ON/OFF switch	4. USB interface
2. AC power socket	5. SD card slot
3. Rear, face up stacker	6. Network interface*

* The Network Interface may have a protective "plug" which must be removed before connection can be made.

When the rear paper stacker is open, paper exits the printer through the rear and is stacked face up. This is mainly used for

heavy print media. When used in conjunction with the multi-purpose feed tray, the paper path through the printer is essentially straight. This avoids bending the paper around curves in the paper path and enables feeding of media up to 67 lb. US Bond (250 g/m²).

Changing the Display Language _____

The default language used by your printer for display messages and for report printing is English. If required, this can be changed using the Panel Downloader Utility on the CD supplied with your printer to:

- French
- Spanish
- Portuguese

Getting Started _____

Power Save Mode

If you do not use the machine for a while, it will enter the power saving mode to control the power consumption of the device. To cancel or initiate power saving mode, press the **Power Save** button on the control panel.

Note:

If your machine is connected locally (via USB), when it transitions to Sleep mode its status is viewed as off-line. To use the printer in this state, you must press the **Power Save** to exit sleep mode.

Switching off

CAUTION!

Model C530 only: If you have an SD card fitted, always follow the correct shutdown procedure to ensure that no data is lost.

1. Press the **OK** button on the control panel to enter the menu.
2. Press the **Menu down** button and scroll to the Shutdown menu.
3. Press the **OK** button.
4. Press the **OK** button to continue.
5. Press the **OK** button to execute.
6. At the prompt, turn the power switch OFF.

Paper Recommendations

Your printer will handle a variety of print media, including a range of paper weights and sizes, labels and envelopes. This section provides general advice on choice of media, and explains how to use each type.

The best performance will be obtained when using standard 20-24 lb. US Bond (75-90 g/m²) paper designed for use in copiers and laser printers.

Use of heavily embossed or very rough textured paper is not recommended.

Pre-printed stationery can be used, but the ink must not offset when exposed to the high fuser temperatures used in the printing process.

Envelopes

CAUTION!

Envelopes should be free from twist, curl or other deformations. They should also be of the rectangular flap type, with glue that remains intact when subjected to hot roll pressure fusing used in this type of printer. Window envelopes are not suitable.

Labels

CAUTION!

Labels should also be of the type recommended for use in copiers and laser printers, in which the base carrier page is entirely covered by labels. Other types of label stock may damage the printer due to the labels peeling off during the printing process.

Tray 1 and Optional Tray 2 _____

Media sizes

SIZE	DIMENSIONS
Letter	8.5 x 11 inches
Legal 13	8.5 x 13 inches
Legal 13.5	8.5 x 13.5 inches
Legal 14	8.5 x 14 inches
Executive	7.25 x 10.5 inches
A5	148 x 210 mm
B5	182 x 257 mm
A4	210 x 297 mm
A6 ¹	105 x 148 mm

1. A6 printing from Tray 1 or the MP Tray only

Media Weight Settings

PAPER TYPE	WEIGHT (US BOND)	WEIGHT (g/m ²)
Light	17-19 lb. US Bond	64 - 74 g/m ²
Medium Light	20 lb. US Bond	75-82 g/m ²
Medium	21-27 lb. US Bond	83-104 g/m ²
Heavy	28-32 lb. US Bond	105 - 120 g/m ²
Ultra Heavy 1	33-46 lb. US Bond	121 - 176 g/m ²
Ultra Heavy 2	47-59 lb. US Bond	177 - 220 g/m ²

If you have identical paper stock loaded in another tray (2nd tray if you have one, or multi purpose tray) you can set the printer to automatically switch to the other tray when the current tray runs out of paper. When printing from Windows applications, this function is enabled in the driver settings. When printing from other systems, this function is enabled in the Print Menu. (See [page 33](#).)

Multi Purpose Tray ---

The multi purpose tray can handle the same sizes as trays 1 and 2 but in weights up to 58 lb. US Bond (220 g/m²). For very heavy paper stock use the face up (rear) paper stacker. This ensures that the paper path through the printer is almost straight.

The multi purpose tray can feed paper widths from 3 inches (76 mm) to 8.5 inches (215.9 mm) and lengths from 5 inches (127 mm) to 52 inches (1320 mm) (banner printing).

For paper lengths exceeding Legal 14-inch (356 mm) use paper stock between 28 lb. US Bond (90 g/m²) and 32 lb. US Bond (128 g/m²) and the face up (rear) paper stacker.

Use the multi purpose tray for printing on envelopes and labels. Up to 10 envelopes can be loaded at one time, subject to a maximum stacking depth of about 3/8-inch (10 mm).

Face Down Stacker ---

The face down stacker on the top of the printer can hold up to 150 sheets of 21 lb. US Bond (80 g/m²) standard paper, and can handle paper stocks up to 47 lb. US Bond (176 g/m²).

Pages printed in reading order (page 1 first) will be sorted in reading order (last page on top, facing down).

Face Up Stacker ---

The face up stacker at the rear of the printer should be opened and the tray extension pulled out when required for use. In this condition paper will exit via this path, regardless of driver settings.

The face up stacker can hold up to 100 sheets of 21 lb. US Bond (80 g/m²) standard paper, and can handle stocks up to 58 lb. US Bond (220 g/m²).

Always use this stacker and the multi purpose feeder for paper stocks heavier than 47 lb. US Bond (176 g/m²).

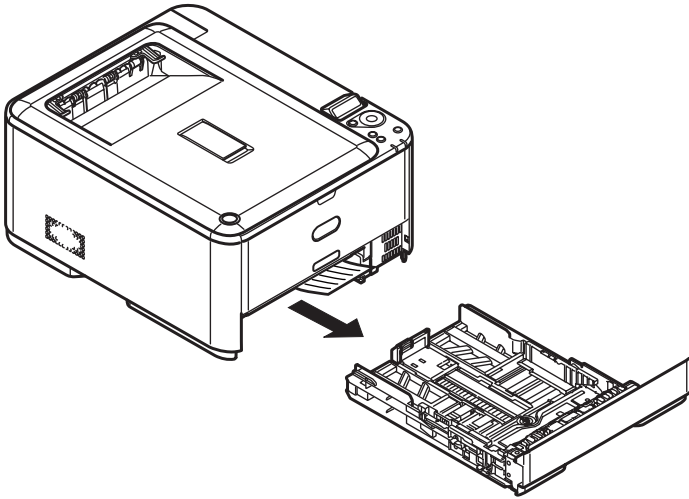
Duplex ---

Automatic two-sided printing on the same range of paper sizes as tray 2 (i.e. all cassette sizes except A6), using paper stocks from 17-47 lb. US Bond (64-176 g/m²).

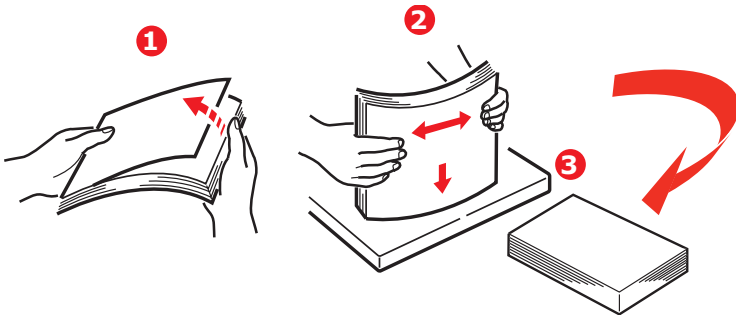
Loading Paper

Tray 1 and Optional Tray 2 _____

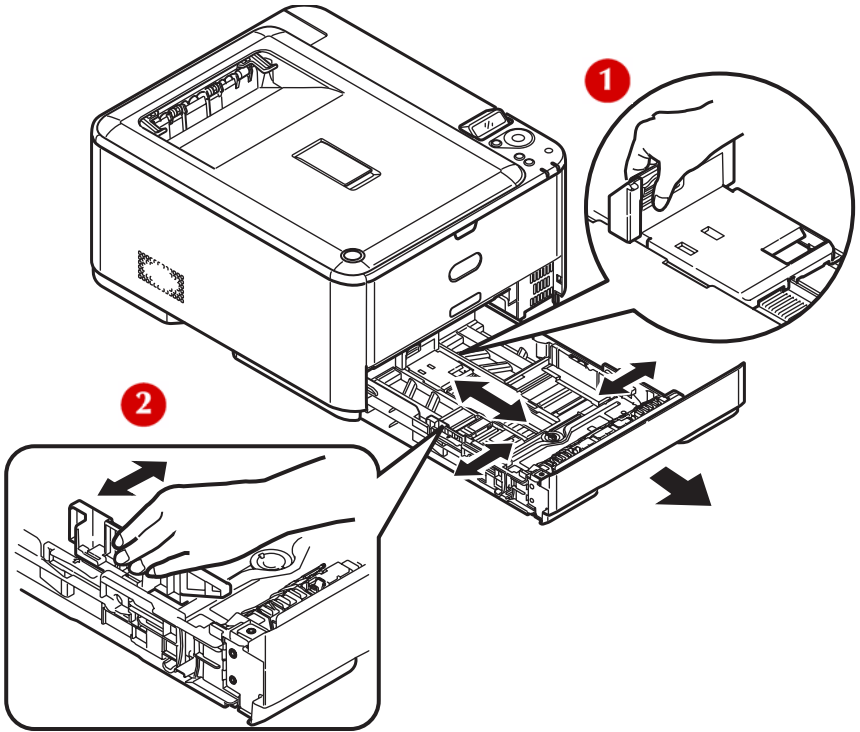
1. Remove the paper tray from the printer.



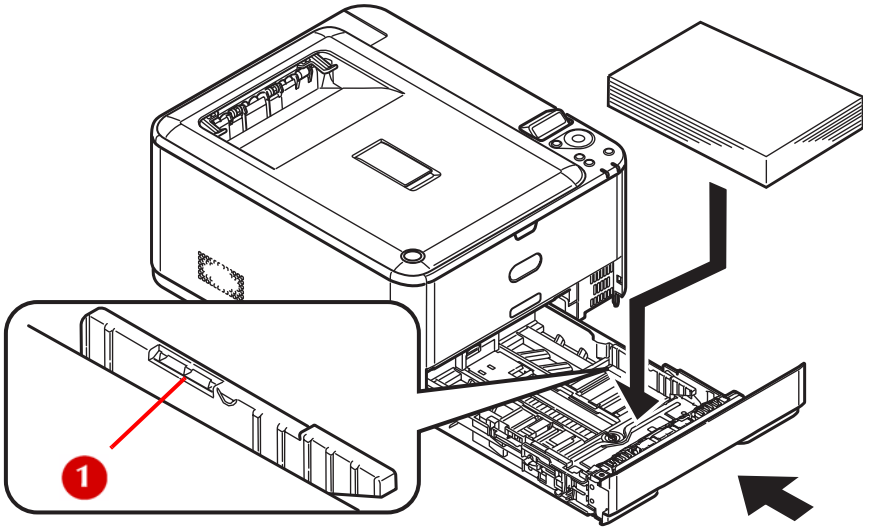
2. Fan the paper to be loaded at the edges (1) and in the middle (2) to ensure that all sheets are properly separated, then tap the edges of the stack on a flat surface to make it flush again (3).



3. Adjust the rear stopper (1) and paper guides (2) to the size of paper being used.



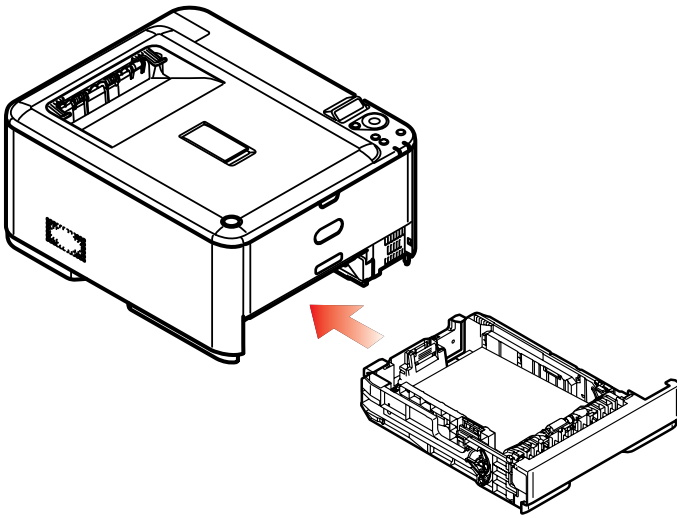
4. Load paper as shown, keeping the stack below the maximum fill line (1).



Note

Letterhead paper should be loaded face down with the top edge towards the front of the printer.

5. Gently insert the paper tray in the printer.



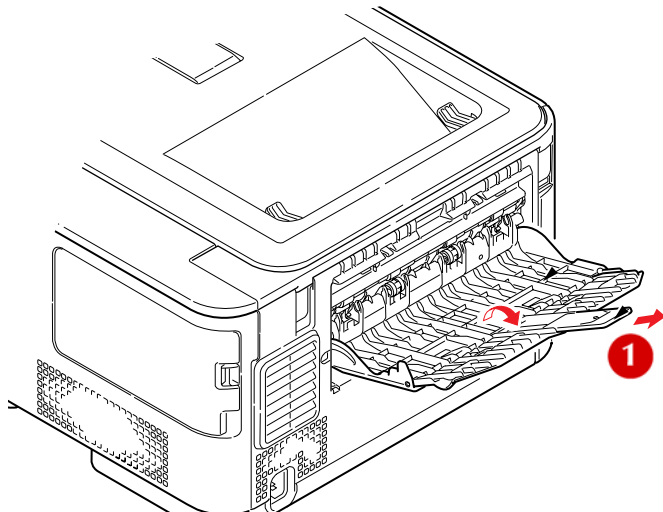
To prevent paper jams:

- Do not leave space between the paper and the guides and rear stopper.
- Do not overfill the paper tray. Capacity depends on the type of paper stock.
- Do not load damaged paper.
- Do not load paper of different sizes or types at the same time.
- Close the paper tray gently.

- Do not pull the paper tray out during printing (except as described below for the 2nd tray).

Notes

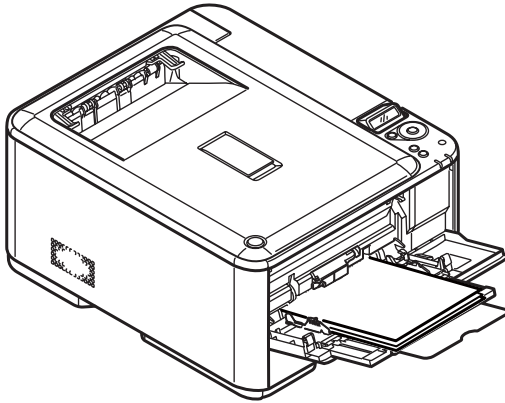
- If you have two trays and you are printing from the 1st (upper) tray, you can pull out the 2nd (lower) tray during printing to reload it. However, if you are printing from the 2nd (lower) tray, do not pull out the 1st (upper) tray. This will cause a paper jam.
- For face down printing, make sure the face up (rear) stacker (a) is closed (the paper exits from the top of the printer). Stacking capacity is approximately 150 sheets, depending on paper weight.
- For face up printing, make sure the face up (rear) stacker is open and the paper support (1) is extended. Paper is stacked in reverse order and tray capacity is approximately 100 sheets of 20-lb. US Bond (75 g/m²) paper.



CAUTION!

Do not open or close the rear paper exit while printing as it may result in a paper jam.

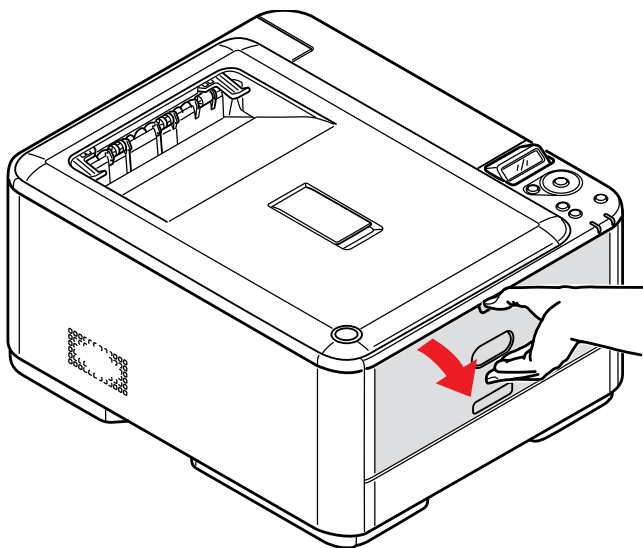
Multi-Purpose Tray



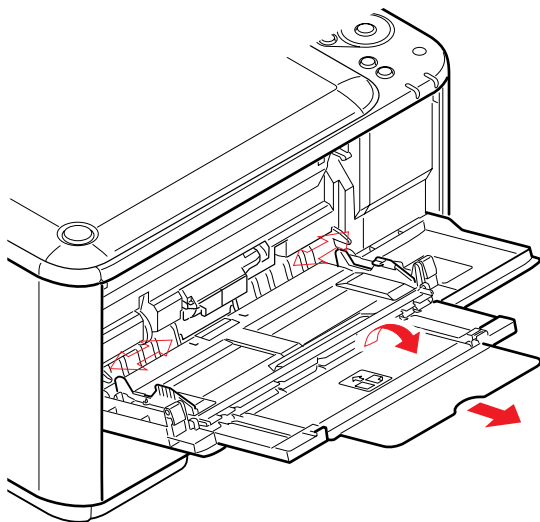
Note

Do not exceed the paper capacity of about 100 sheets or 10 envelopes. Maximum stacking depth is 3/8-inch (10 mm).

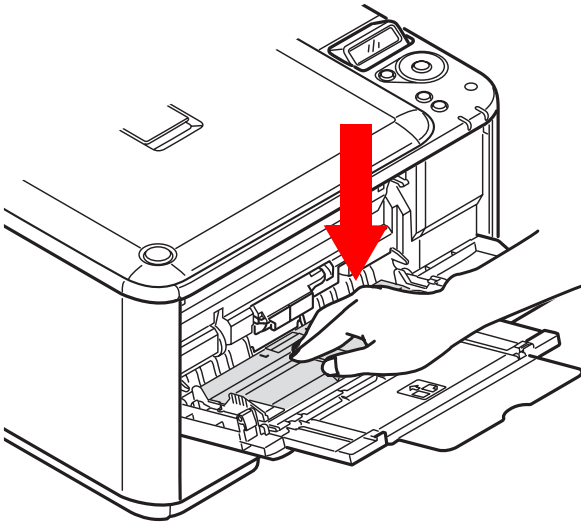
1. Open the multi purpose tray.



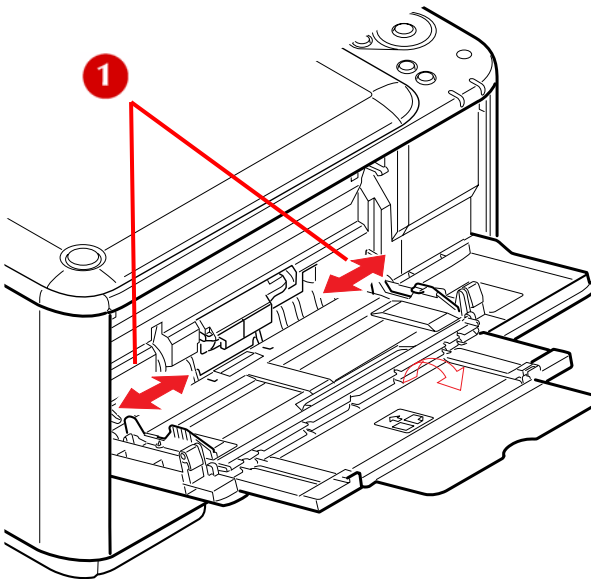
2. Fold out the paper supports.



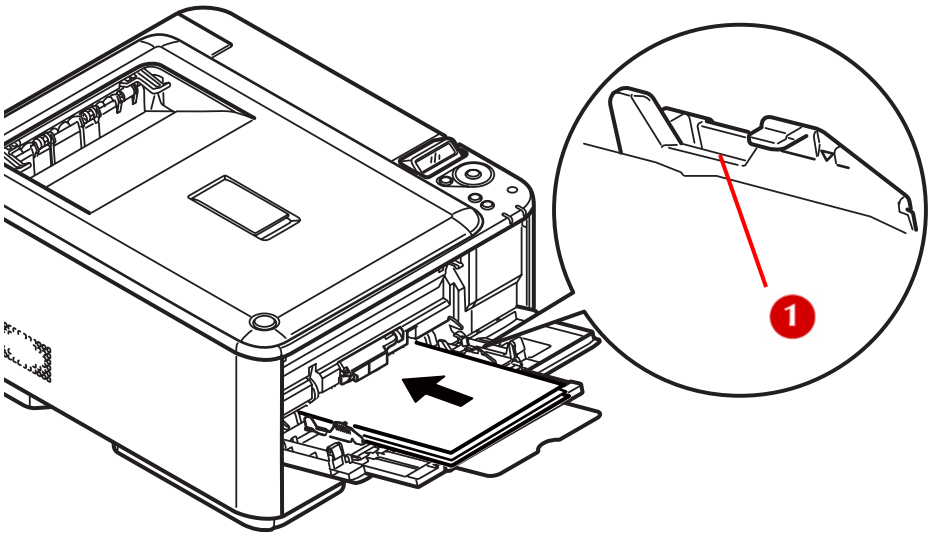
3. Press gently down on the paper platform to ensure it is latched down.



4. Adjust the paper guides (1) to the size of paper being used.

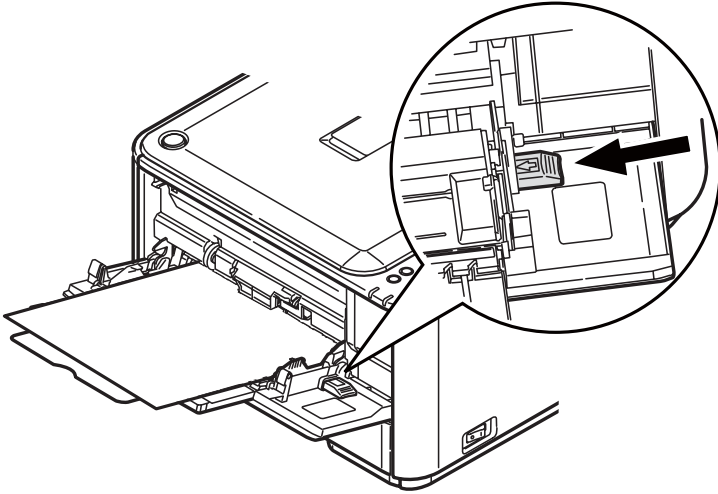


5. Load the print media keeping the stack below the maximum stack line (1): about 100 sheets or 10 envelopes. Fine tune the guides to the stack.



- **Letterhead, simplex:** For single-sided printing on letterhead paper load the paper into the multi purpose tray with pre-printed side up and top edge into the printer.
- **Letterhead, duplex:** For two-sided (duplex) printing on letterhead paper load the paper with pre-printed side *down* and top edge away from the printer.
- **Envelopes:** load face up with top edge to the left and short edge into the printer. Do not select duplex printing on envelopes.

6. Press the tray latch button inwards to release the paper platform, so that the paper is lifted and gripped in place.



7. Set the correct paper size for the multi purpose tray in the Media Menu (see ["Menu Functions" on page 28](#)).

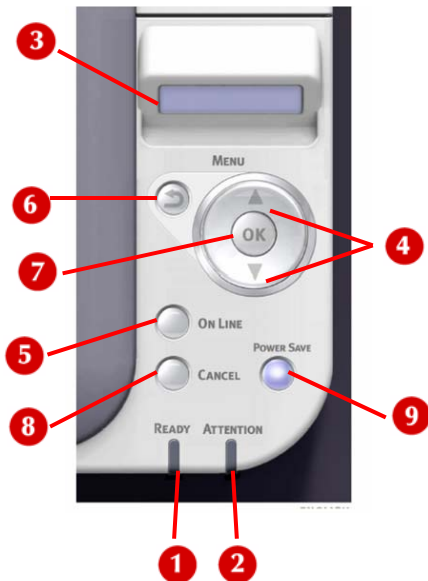
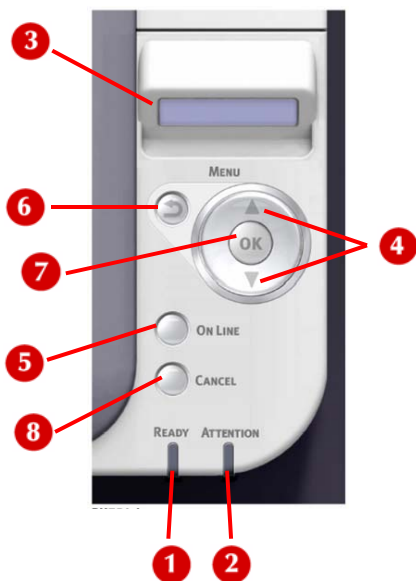
Menu Functions

This section lists the menus accessed via the controls on the printer's operator panel and displayed in the LCD window.

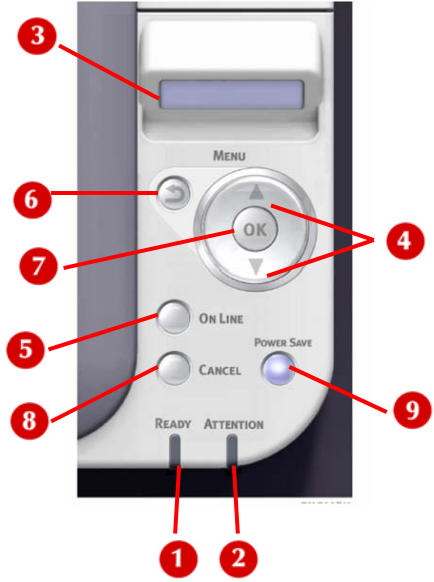
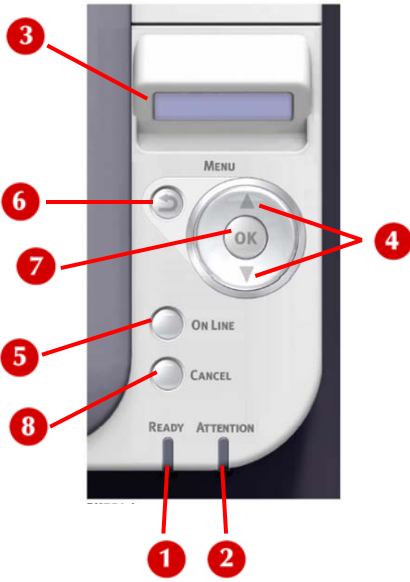
Operator Panel

C330

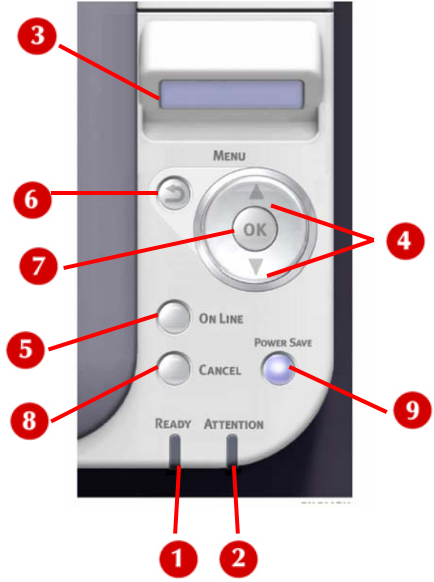
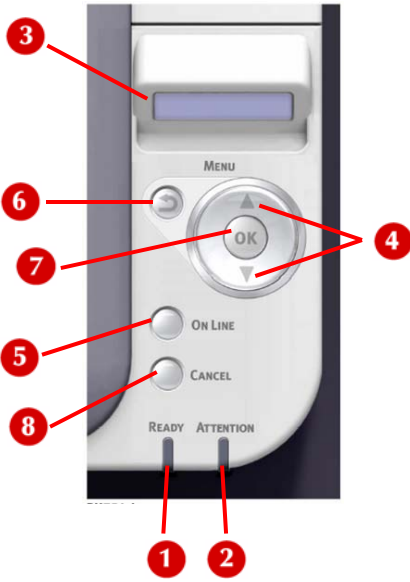
C530



Panel Item	Function
1. Ready LED	ON: Ready to receive data. BLINKING: Processing data. OFF: Offline.
2. Attention LED	ON: A warning occurs. Printing may be possible (e.g low toner). BLINKING: An error occurs. Printing not possible (e.g. toner empty). OFF: Normal condition.
3. Display	Displays the printer status and any error messages.



Panel Item	Function
4. Menu Buttons	<ul style="list-style-type: none"> • When the printer is off line or on line, press to enter the Menu mode. • In Menu mode, scrolls through the menu item displayed. • Press for 2 secs. or longer to jump from top to bottom.
5. On Line Button	<ul style="list-style-type: none"> • Switches between ONLINE and OFFLINE. • Exits the menu and goes ONLINE when pressed in the Menu mode. • Scrolls the HELP screen. • Forces printing on the paper currently loaded when pressed with "WRONG PAPER" or "WRONG PAPER SIZE" displayed.
6. Back Button	Returns to the previous higher level menu item.
7. OK Button	In the ONLINE or OFFLINE mode: enters the Menu mode. In the Menu mode: determines the setting selected.



Panel Item	Function
8. Cancel Button	<ul style="list-style-type: none"> • In Print mode, deletes the data being printed or received when pressed for two seconds or longer. • If any of the following error messages appears on the display WRONG PAPER SIZE RUN OUT OF PAPER TRAY 1 IS OPEN TRAY 1 IS NOT FOUND, press Cancel for two or more seconds to clear the print job. • In the Menu mode, press to exit the menu and goes ONLINE.
9. Power Save Button	Model C530 only. Pressing this button switches the machine into sleep or wake-up mode. Refer to "Power Save Mode" on page 12.

How to Print the Menu Map _____

The Menu Map provides a listing of the current printer menu settings. To print one out:

1. Press the **OK** button.
2. Press the down arrow key to go to the Information Menu.
3. Press **OK**.
4. Press **OK** to select Print Menu Map.

The Menu Map prints and the printer goes back on line.

How to Change the Settings: Users _____

It should be noted that many of these settings can be, and often are, overridden by settings in the Windows printer drivers. However, several of the driver settings can be left at "Printer Setting", which will then default to the settings entered in these printer menus.

Where applicable, factory default settings are shown in bold type in the following tables.

In the normal operating condition, known as "standby," the printer's LCD window will show "Ready to Print". In this condition, to enter the menu system, press the up and down Menu buttons on the operator panel to move up and down through the list of menus until the menu you wish to view is displayed. Then proceed as follows:

1. Press **OK** to enter the menu.
2. Use the **up** and **down** MENU buttons on the control panel to scroll through the menus. When the item you want to change is displayed, press **OK** to view the sub-menus for that item.
3. Use the **up** and **down** MENU buttons to move up and down through the sub-menu items. When the item you want to change is displayed press **OK** to display the setting.
4. Use the **up** and **down** MENU buttons to move up and down through the available settings for the sub-menu item. When the item you want to change is displayed press **OK** to display the setting. An asterisk (*) will appear next to the setting, indicating that this setting is currently in effect.
5. Do one of the following:
 - Press **Back** again to move up to the list of menus;
or...
 - Press **On Line** or **Cancel** to exit from the menu system and return to standby.

How to Change the Settings: Administrator

The System Administrator can set whether to **ENABLE** or **DISABLE** each category in the user menu.

Disabled categories are not displayed in the User's menu. Only a system administrator can change these settings.

1. Turn **OFF** the printer.
2. Turn **ON** the printer while pressing the **OK** button.
When **Admin Menu** appears, take your finger off the button.
3. Press the **OK** button.
4. At the Enter Password prompt, enter the 4-9 digit Admin password:
 - (a) Using the up and down MENU buttons, scroll to the required letter/digit.
 - (b) Press the **OK** button to input and move to the next letter/digit.
 - (c) Repeat steps (a) and (b) until all letters/digits are entered.

Enter your 4 to 9 digit password. (The default password is aaaaaa).
5. Press the **OK** button.
6. Press the **up** or **down** MENU button until the "category" you want to change is displayed.
7. Press the **OK** button.
8. Press the **up** or **down** MENU button until the "item" you want to change is displayed.
9. Press the **OK** button.
10. Using the **up** or **down** MENU button, identify the parameter as required.
11. Press the **Enter** button to enter an asterisk (*) on the right side of the setting selected.
12. Press the **On Line** button to switch to online. The machine will automatically re-boot.

Menus

Note

This guide may reference menu items or features that your model does not have installed or does not support.

Print Jobs Menu: Model C530 Only

Note:

This menu only displays if the optional SD card is installed.

ITEM	ACTION	EXPLANATION
ENCRYPTED JOB	NOT FOUND	No printable files were found on the SD card.
	PRINT	Prints a list of all jobs stored on the SD card the selected job.
	DELETE	Prompts you to confirm the deletion of all print jobs from the SD card.

ITEM	ACTION	EXPLANATION
STORED JOB	NOT FOUND PRINT DELETE	<p>Used to print out a stored job in the SD card.</p> <p>Not Found will be displayed where a file, which could be printed is not available.</p> <p>The following message will appear if a printable file is available.</p> <p>Stored Job</p> <p>Print</p> <p>Delete</p> <p>When Print is selected, Set Collating Amount is displayed and the number of pages to print can be specified.</p> <p>Specify the number of pages to print and press the Enter button.</p> <p>The following message will appear if Delete is selected:</p> <p>Are You Sure? Yes / No</p> <p>If No is selected, the display will return to the previous menu.</p> <p>If Yes is selected, all jobs will be deleted.</p>

Information Menu

This menu provides a quick method of listing various items stored within the printer.

ITEM	ACTION	EXPLANATION
PRINT MENU MAP	EXECUTE	Select execute to print out a listing of the current menu settings.
NETWORK	EXECUTE	Prints Network information.
PRINT FILE LIST (MODEL C530 ONLY)	EXECUTE	Prints a list of overlays, macros, fonts and other files stored on the printer's SD card (if installed).
PRINT PCL FONT	EXECUTE	Prints a list of all internal PCL fonts plus those stored in ROM (slot 0), flash memory and SD card (if installed).
PRINT PSE FONT LIST	EXECUTE	Prints a list of all internal PostScript emulation fonts.
PRINT PPR FONT	EXECUTE	Prints a list of all internal IBM ProPrinter III XL emulation fonts, including any downloaded to flash memory or SD card (if installed).
PRINT FX FONT	EXECUTE	Prints a list of all internal Epson FX emulation fonts, including any downloaded to flash memory or SD card (if installed).
DEMO1	EXECUTE	Prints demonstration page containing graphics and text in color and monochrome.
PRINT ERROR LOG	EXECUTE	Prints a list of all printer errors and warnings.
USAGE REPORT	EXECUTE	Prints a list of color and mono pages printed.
COLOR PROFILE LIST	EXECUTE	Prints a list of stored color profiles.

Shutdown Menu

This item should always be selected before switching the printer off, to ensure that no data is lost.

ITEM	SETTING	EXPLANATION
SHUTDOWN START	EXECUTE	Performs controlled shutdown of the printer. Only power the printer off when the display indicates that shutdown is complete.

Print Menu

ITEM	ACTION	EXPLANATION
COPIES	1- 999	Selects the number of copies. This setting is disabled for Local Print except for Demo Page.
DUPLEX	ON/OFF	Switches Duplex printing (two-sided printing) on and off.
BINDING	Long Edge SHORT EDGE	Specifies Binding in duplex printing. Display Condition: duplex must be set to on.
PAPER FEED	Tray 1 TRAY 2 MP TRAY	Sets the default tray for paper feed. Tray 2 displays only if the optional second tray is installed.
AUTO TRAY SWITCH	On OFF	If two trays contain identical paper, the printer can switch to an alternative source when the current tray runs out in the middle of a print job.
TRAY SEQUENCE	DOWN UP PAPER FEED TRAY	Determines tray sequence order when automatically switching.
MP TRAY USAGE	Do not use WHEN MISMATCH	If a document to be printed demands a paper size not installed in the selected tray, the printer can automatically feed from the multi purpose tray instead. If this function is not enabled, the printer will stop and request the correct size of paper to be loaded.
MEDIA CHECK	Enable DISABLE	Sets whether the printer checks the matching of printed data size and that of the tray. Only standard sizes are checked.

ITEM	ACTION	EXPLANATION
OVERRIDE A4/LT	Yes NO	<p>If enabled, when the paper size of a job is set to A4 but there is no A4 paper loaded in the printer, if there is Letter paper in the printer, the job will print on Letter paper without requesting the user to fill the paper tray with A4 paper.</p> <p>Similarly, when the paper size of a job is set to Letter but there is no Letter set in the printer, if there is A4 paper in the printer, the job will be printed on A4 paper without requesting the user to fill the paper tray with Letter paper.</p>
RESOLUTION	600DPI 600x1200PI 600DPI MULTI-LEVEL.	Sets default resolution.
TONER SAVE MODE	ON OFF	<p>This function works effectively only if the data input is color RGB data. This setting is valid in PS and PCL, but does not take effect in the following cases.</p> <p>(1) PS: If Color Matching is set OFF.</p> <p>(2) PS: If any setting other than ASIC Color Matching is set.</p> <p>(3) PS: CMYK data when Ink Simulation Mode is used (valid in any other cases except Case (1) and Case (2) above as long as data is RGB).</p> <p>(4) PCL binary data (Color/Monochrome).</p>
MONO- PRINT SPEED	Auto COLOR SPEED NORMAL SPEED	<ul style="list-style-type: none"> • Sets the monochrome print speed. Prints at the most appropriate speed for page process if Auto is set. • Prints always at the color print speed if Color is set. • Prints always at the monochrome print speed if Normal is set.

ITEM	ACTION	EXPLANATION
ORIENTATION	PORTRAIT LANDSCAPE	Specifies print orientation. Not valid for PS (valid only for PCL/ IBMPPR/ EPSONFX/ HP-GL2).
LINES PER PAGE	5 - 128 LINES DEFAULT IS 64 LINES	Sets the number of lines that can be printed on a page Not valid for PS (valid only for PCL/HP-GL2). Default values listed to the left are for Letter/ A4. In practice, however, they change according to the size of paper loaded in the tray.
EDIT SIZE	CASSETTE SIZE ,A4, A5, A6,B5, LEGAL14, LEGAL13.5, LEGAL13, LETTER, EXECUTIVE, CUSTOM, COM-9 ENVELOPE, COM-10 ENVELOPE, MONARCH ENVELOPE, DL ENVELOPE, C5, INDEX CARD	Sets the size of an area to draw when the host PC does not specify the size via the paper edit size designating command (Not valid for PS — only for PCL).
X DIMENSION	2.5 - 8.5 INCH DEFAULT = 8.5 INCH [64 - 216 MM DEFAULT = 210 MM]	Specifies paper width of Custom paper as a default value. Sets a paper size at right angles to the paper run direction.

Media Menu

ITEM	ACTION	EXPLANATION
TRAY 1 PAPER SIZE	A4 /A5/ A6/ B5/ LEGAL14/ LEGAL13.5/ LEGAL13/ LETTER / EXECUTIVE/ CUSTOM	Selects the size of paper loaded in Tray 1 (upper tray if both trays installed). For CUSTOM setting see X-DIMENSION and Y-DIMENSION in "Print menu" above.
TRAY 1 MEDIA TYPE	PLAIN LETTER- HEAD BOND RECYCLED CARD STOCK ROUGH GLOSSY USERTYPE1 USERTYPE2 USERTYPE3 USERTYPE4 USERTYPE5	Selects the type of media loaded in this tray. This will help the printer to adjust its internal operating parameters, such as engine speed and fusing temperature, to better accommodate the media to be fed. For example, letter-head may benefit from a slightly lower fusing temperature to ensure that its ink does not offset. Note: USERTYPEn are displayed only if registered in the host PC/Server.
TRAY 1 MEDIA WEIGHT	LIGHT MEDIUM LIGHT MEDIUM HEAVY ULTRA HEAVY1	Adjusts the printer for the weight of paper stock loaded in this tray.

ITEM	ACTION	EXPLANATION
TRAY 2 PAPER SIZE	A4 /A5/ B5/ LEGAL14/ LEGAL13.5/ LEGAL13/ LETTER / EXECUTIVE CUSTOM	Selects the size of paper loaded in Tray 2 (lower) if installed. For CUSTOM setting see X-DIMENSION and Y-DIMENSION in "Print menu" above.
TRAY 2 MEDIA TYPE	PLAIN LETTER- HEAD BOND RECYCLED CARD STOCK ROUGH GLOSSY USER TYPE 1 USER TYPE 2 USER TYPE 3 USER TYPE 4 USER TYPE 5	Selects the type of media loaded in this tray (if installed). This will help the printer to adjust its internal operating parameters, such as engine speed and fusing temperature, to better accommodate the media to be fed. For example, letterhead may benefit from a slightly lower fusing temperature to ensure that its ink does not offset. Note: USERTYPEn are displayed only if registered in the host PC/Server.
TRAY 2 MEDIA WEIGHT	LIGHT MEDIUM LIGHT MEDIUM HEAVY ULTRA HEAVY1	Adjusts the printer for the weight of paper stock loaded in this tray (if installed).

ITEM	ACTION	EXPLANATION
MPT PAPER SIZE	A4 A5 A6 B5 LEGAL14 LEGAL13.5 LEGAL13 LETTER EXECUTIVE CUSTOM COM-9 ENVELOPE COM-10 ENVELOPE MONARCH ENV DL ENVE- LOPE C5 ENVE- LOPE INDEX CARD	Selects the size of paper to be fed from the multi purpose tray. For CUSTOM setting see X-DIMENSION and Y-DIMENSION in "Print menu" above.

ITEM	ACTION	EXPLANATION
MPT MEDIA TYPE	PLAIN LETTER-HEAD LABELS BOND RECYCLED CARD STOCK ROUGH GLOSSY USER TYPE 1 USER TYPE 2 USER TYPE 3 USER TYPE 4 USER TYPE 5	Selects the type of media to be fed from the multi purpose tray so that the printer can adjust its internal parameters to better accommodate the selected type of media. Note: USERTYPEn are displayed only if registered in the host PC/Server.
MPT MEDIA WEIGHT	LIGHT MEDIUM LIGHT MEDIUM HEAVY ULTRA HEAVY1 ULTRA HEAVY2	Selects the media weight to be fed from the multi purpose tray.
UNIT OF MEASURE	Millimeter Inch	Selects the unit of measure.

Color Menu

ITEM	ACTION	EXPLANATION
DENSITY CONTROL	AUTO MANUAL	If set to AUTO, image density will be automatically adjusted at power on, when a new image drum or toner cartridge is installed, and at intervals of 100, 300 and 500 drum counts. If a 500 drum count interval occurs during a print job it will occur at the end of that job, and will take up to 55 seconds. If set to manual, this adjustment will only be performed when initiated by the next menu item.
ADJUST DENSITY	EXECUTE	Selecting this will activate adjustment of the color density.
COLOR TUNING	PRINT PATTERN	Selecting this item prints the color tuning pattern to help you adjust the color balance.
C HIGHLIGHT C MID-TONE C DARK M HIGHLIGHT M MID-TONE M DARK Y HIGHLIGHT Y MID-TONE Y DARK K HIGHLIGHT K MID-TONE K DARK	-3~0~+3 -3~0~+3 -3~0~+3 -3~0~+3 -3~0~+3 -3~0~+3 -3~0~+3 -3~0~+3 -3~0~+3 -3~0~+3 -3~0~+3 -3~0~+3	Adjusts image density for each color component (cyan, magenta, yellow and black). Normal setting is 0.
C DARKNESS M DARKNESS Y DARKNESS K DARKNESS	-3~0~+3 -3~0~+3 -3~0~+3 -3~0~+3	Adjusts darkness of each color component (cyan, magenta, yellow and black). Normal setting is 0.

ITEM	ACTION	EXPLANATION
AJST REGISTRATION	EXECUTE	Performs automatic color registration adjustment. Normally this is done on power on and when the top cover is opened and then closed. This process accurately aligns the cyan, magenta and yellow images to the black image.
C REG FINE ADJUST M REG FINE ADJUST Y REG FINE ADJUST	-3~0~+3 -3~0~+3 -3~0~+3	Performs fine adjustment of image timing in relation to the black image component.
INK SIMULATION	OFF SWOP EURO- SCALE JAPAN	Selects from a range of industry standard color swatches. Note: This function only applies to PS models.
UCR	LOW MEDIUM HIGH	Selects limitation of the toner layer thickness. If paper curl occurs in dark printing, selecting MEDIUM or LIGHT sometimes helps reduce curl.
CMY100% DENSITY	DISABLE ENABLE	When enabled, black areas are produced using 100% C, M, and Y instead of black. This results in a glossier finish.
CMYK CONVERSION	ON OFF	Setting to "OFF" will simplify the conversion process of CMYK data, which will reduce the processing time. This setting is ignored when Ink Simulation function is used. Note: This function only applies to PS models.

Sys Config Menu

ITEM	ACTION	EXPLANATION
POW SAVE TIME	1 MIN 2 MIN 3 MIN 4 MIN 5 MIN 10 MIN 15 MIN 30 MIN 60 MIN 120 MIN 180 MIN	Adjusts the idling time before the printer automatically switches into power saving mode. In this mode power consumption is reduced to a low level required to just keep the printer operating and ready to receive data. When a job is sent the printer will require a warm-up time of up to 1 minute before printing can begin.
SLEEP TIME (MODEL C530 ONLY)	1 MIN 2 MIN 3 MIN 4 MIN 5 MIN 10 MIN 15 MIN 30 MIN 60 MIN 120 MIN 180 MIN	Adjusts the power saving time before the printer automatically switches into sleep mode.
PERSONALITY	AUTO EMULATI ON PCL IBM PPR III XL EPSON FX PS3 EMULATIO N	This item selects which industry standard emulation your printer should use. When set to AUTO, incoming data is examined and the correct emulation is automatically selected each time a print job is received.
USB PROTOCOL	RAW ASCII	Selects PostScript data format for USB port.
NET PS PROTOCOL	RAW ASCII	Selects PostScript data format for network port.

ITEM	ACTION	EXPLANATION
CLRABLE WARNING	ONLINE JOB	When ONLINE, non-critical warnings, such as requests for a different paper size, can be cleared by pressing the ON LINE button. When set to JOB, they are cleared when the print job resumes.
AUTO CONTINUE	ON OFF	Determines whether or not the printer will automatically recover from a memory overflow condition.
MANUAL TIMEOUT	OFF 30 SEC 60 SEC	Specifies how many seconds the printer will wait for paper to be fed before cancelling the job.
WAIT TIMEOUT	5~40 SEC ~300, OFF	Specifies how many seconds the printer will wait when received data pauses before forcing a page eject. In PostScript Emulation mode the job will be cancelled if timeout occurs.
LOW TONER	CONTINUE STOP	Specifies whether the printer should continue printing even after a low toner condition is detected.
JAM RECOVERY	ON OFF	Specifies whether the printer should perform jam recovery after a paper jam has occurred. If ON, the printer will attempt to re-print any pages lost due to a paper jam once the jam has been cleared.
ERROR REPORT	ON OFF	If ON, the printer will print error details when a PostScript Emulation error occurs. Note: Applies to PS & PCL XL only.

PCL Emulation Menu

ITEM	ACTION	EXPLANATION
FONT SOURCE	RESIDENT RESIDENT 2	Specifies the location of the PCL default font. Normally this will be INTERNAL unless additional fonts are installed in the expansion ROM slot or additional fonts have been downloaded to RAM as permanent fonts.
FONT NO.	I0 ~ 190	Sets the current default font number from the currently selected source.
FONT PITCH	0.44 CPI ~ 10.00 CPI ~ 99.99 CPI	Sets the width of the PCL default font in characters/inch (CPI). Default font is the fixed-pitch, scalable font. The value is displayed to the second decimal place Displayed only when the font selected in Font No. is fixed-spacing, scalable font.
FONT HEIGHT	4.00 POINT ~ 12.00 POINT ~ 999.75 POINT	Height of the PCL default font. Note: This menu item is displayed only when the font selected in Font No. is a proportional-spacing, scalable font.
SYMBOL SET	PC-8 (DEFAULT SYMBOL SET ONLY SHOWN)	PCL symbol set. If the font source and number are changed to one which does not support the selected symbol set, this must be changed to an available symbol set for that font.
A4 PRINT WIDTH	78 COLUMN 80 COLUMN	Sets the number of columns subject to Auto LF with A4 paper in PCL. This is the value when Auto CR/LF Mode is set to OFF with the 10CPI character.
WHITE PAGE SKIP	OFF ON	Selects whether blank pages are printed or not.
CR FUNCTION	CR CR + LF	Selects whether a received carriage return character (0Dh) also causes a line feed.
LF FUNCTION	LF LF+CR	Selects whether a received line feed character (0Ah) also causes a carriage return.

ITEM	ACTION	EXPLANATION
PRINT MARGIN	NORMAL 1/5 INCH 1/6 INCH	Sets the non-printable page area. NORMAL is PCL compatible.
TRUE BLACK	OFF ON	Selects whether black image data is printed using black toner (ON) or 100% CMY (OFF). (Valid in PCL emulation mode only.)
PEN WIDTH ADJUST	ON OFF	When minimum width is specified in PCL, sometimes a 1-dot line, looks broken. With PEN WIDTH Adjust set to ON, when the minimum width is specified, the line width will be emphasized so as to look wider than a 1-dot line. With PEN WIDTH Adjust set to OFF, the line will appear as before.
TRAY ID# MP TRAY	1 ~ 4 ~ 59	Sets the # to specify the MP tray for the paper feed destination command (ESC&l#H) in PCL5e emulation.
TRAY 2	1 ~ 5 ~ 59	Sets the # to specify Tray 2 for the paper feed destination command (ESC&l#H) in PCL5e emulation. (Displayed only if Tray 2 is installed).

PPR Emulation Menu

ITEM	ACTION	EXPLANATION
CHARACTER PITCH	10 CPI; 12 CPI; 17 CPI; 20 CPI; PROPORTI ONAL	Specifies character pitch in IBM PPR emula- tion.
FONT CONDENSE	12CPI TO 20CPI 12CPI TO 12CPI	Specifies 12CPI pitch for Condense Mode.
CHARACTER SET	SET-1 SET-2	Specifies a character set.
SYMBOL SET	IBM-437 (DEFAULT SYMBOL SET ONLY SHOWN)	Specifies a symbol set.
LETTER O STYLE	DISABLE ENABLE	Specifies the style that replaces 9BH with letter o and 9DH with a zero
ZERO CHARACTER	NORMAL SLASHED	Sets the zero to be slashed or unslashed.
LINE PITCH	6 LPI 8 LPI	Specifies the line spacing.
WHITE PAGE SKIP	OFF ON	Selects whether blank pages are printed or not.
CR FUNCTION	CR CR+LF	Selects whether a received carriage return character (0Dh) also causes a line feed.
LF FUNCTION	LF LF+CR	Selects whether a received line feed charac- ter (0Ah) also causes a carriage return.
LINE LENGTH	80 COLUMN 136 COLUMN	Specifies the number of characters per line.

ITEM	ACTION	EXPLANATION
FORM LENGTH	11 INCH 11.7 INCH 12 INCH	Specifies the length of paper.
TOF POSITION	0.0INCH ~ 1.0INCH	Specifies the distance of print from the top edge of the paper.
LEFT MARGIN	0.0INCH ~ 1.0INCH	Specifies the distance of print from the left hand edge of the paper.
FIT TO LETTER	DISABLE ENABLE	Sets the printing mode that can fit print data, equivalent to 11 inches (66 lines), in the LETTER-size printable area.
TEXT HEIGHT	SAME DIFF	Sets the height of a character. SAME: Regardless of CPI, same height DIFF: As CPI, character heights vary.

FX Emulation Menu Calibration

ITEM	ACTION	EXPLANATION
CHARACTER PITCH	10 CPI; 12 CPI; 17 CPI; 20 CPI; PROPOR-TIONAL	Specifies character pitch in this emulation.
CHARACTER SET	SET-1 SET-2	Specifies a character set.
SYMBOL SET	IBM-437 (Default Symbol Set only shown)	Specifies a symbol set.
LETTER O STYLE	DISABLE ENABLE	Specifies the style that replaces 9BH with letter o and 9DH with a zero
ZERO CHARACTER	NORMAL SLASHED	Sets the zero to be slashed or unslashed.
LINE PITCH	6 LPI; 8 LPI	Specifies the line spacing.
WHITE PAGE SKIP	OFF / ON	Selects whether blank pages are printed or not.
CR FUNCTION	CR / CR+LF	Selects whether a received carriage return character (0Dh) also causes a line feed.
LINE LENGTH	80 COLUMN; 136 COLUMN	Specifies the number of characters per line.
FORM LENGTH	11 INCH 11.7 INCH 12 INCH	Specifies the length of paper.
TOF POSITION	0.0INCH ~ 1.0INCH	Specifies the distance of print from the top edge of the paper.

ITEM	ACTION	EXPLANATION
LEFT MARGIN	0.0INCH ~ 1.0INCH	Specifies the distance of print from the left hand edge of the paper.
FIT TO LETTER	DISABLE ENABLE	Sets the printing mode that can fit print data, equivalent to 11 inches (66 lines), in the LETTER-size printable area.
TEXT HEIGHT	SAME DIFF	Sets the height of a character. SAME: Regardless of CPI, same height. DIFF: As CPI, character heights vary.

USB Menu

This menu controls the operation of the printer's USB data interface.

ITEM	SETTINGS	EXPLANATION
SOFT RESET	ENABLE DISABLE	Enables or disables the SOFT RESET command.
SPEED	12 MBPS 480 MBPS	Selects the interface speed. After setting change the menu, the printer restarts on exit.
OFFLINE RECEIVE	ENABLE / DISABLE	OFFLINE RECEIVE.
SERIAL NUMBER	ENABLE DISABLE	Specifies whether to ENABLE or DISABLE a USB serial number. The USB serial number is used to identify the USB device connected to your PC.

Note

When you have changed any settings in the USB Menu, turn the printer OFF, then ON again.

Network Menu

ITEM	ACTION	EXPLANATION
TCP/IP	ENABLE DISABLE	Enables or disables this network protocol.
IP VERSION	IP v4 IP v4+v6 IP v6	<p>Sets up the IP version.</p> <p>Operates with IPv4 only (not valid with IPv6).</p> <p>Operates with both IPv4 and IPv6.</p> <p>Operates with IPv6 only (not valid with IPv4).</p> <p>From this stage, if IPv6 only is set from UI, for example Telnet, "IP v6" appears as the value of IP Version on the operation panel. "IP v6" will disappear from the value if "IP v4" or "IP v4+v6" is selected.</p> <p>Display Condition: TCP/IP should be enabled.</p>
NETBEUI	ENABLE DISABLE	Enables or disables this network protocol.
NETBIOS OVER TCP	C330: ENABLE / DISABLE C530: ENABLE / DISABLE	<p>Sets Enable/Disable of NetBIOS over TCP protocol.</p> <p>Display Conditions:</p> <ul style="list-style-type: none"> > TCP/IP should be enabled. > IP Version is not IPv6.
NETWARE	C330: ENABLE / DISABLE C530: ENABLE / DISABLE	Enables or disables this network protocol.
ETHERTALK	ENABLE \ DISABLE	Enables or disables this network protocol.

ITEM	ACTION	EXPLANATION
FRAME TYPE	AUTO / 802.2 / 802.3 / ETHER-NET II / SNAP	Selects the Ethernet MAC layer frame type. Display Condition: Netware should be enabled.
IP ADDRESS SET	AUTO / MANUAL	Specifies whether IP address allocation is automatic (DHCP) or manually assigned.
IPv4 ADDRESS	xxx.xxx.x xx.xxx	Current assigned IP address. To change, press OK and use Menu buttons to increment 1st octet, then press OK again to move on to next octet. When 4th octet has been set, press OK again to register new address.
SUBNET MASK	xxx.xxx.x xx.xxx	Current assigned subnet mask. To change, proceed as above.
GATEWAY ADDRESS	xxx.xxx.x xx.xxx	Current assigned gateway address. To change, proceed as above.
WEB	ENABLE / DISABLE	Enables or disables Web config. facility.
TELNET	ENABLE / DISABLE	Enables or disables Telnet config. facility.
FTP	ENABLE / DISABLE	Enables or disables communication via FTP.
IPSEC	ENABLE / DISABLE	Applies to C330 and C530 only. Sets Enable/Disable of IPSec. Enable via the web. Enable: IPSec is available. Disable: IPSec is not available.
SNMP	ENABLE / DIS-ABLE	Enables or disables SNMP protocol.

ITEM	ACTION	EXPLANATION
NETWORK SCALE	NORMAL / SMALL	<p>Selects network size.</p> <p>When NORMAL is selected, printer can work effectively, even when connected to a HUB that has a spanning tree feature. However, printer start up time gets longer when computers are connected with two or three small LANs.</p> <p>When SMALL is selected, computers can cover from two or three small LANs to a large LAN, but may not work effectively when connected to a HUB that has a spanning tree feature.</p>
HUB LINK SETTING	AUTO NEGOTIATE 100BASE-TX FULL 100BASE-TX HALF 10BASE-T FULL 10BASE-T HALF	<p>Sets full or half duplex for communication via a network hub.</p> <p>When AUTO is set, negotiation is done automatically.</p>
FACTORY DEFAULTS	EXECUTE	<p>Reloads the settings present when the unit was setup by the manufacturer.</p>

Memory Menu

ITEM	ACTION	EXPLANATION
RECEIVE BUF SIZE	AUTO 0.5MB 1MB 2MB 4MB 8MB 16MB 32MB	Sets the size of the receive buffer.
RESOURCE SAVE	AUTO OFF 0.5MB 1MB 2MB 4MB 8MB 16MB 32MB	Sets the size of the resource saving area.

Sys Adjust menu

ITEM	ACTION	EXPLANATION
X ADJUST	+2.00MIL LIMETER ~ 0.00MILL IMETER ~ - 2.00MILLI METER	Adjusts the position of a whole print image in the direction perpendicular to the direction the paper runs, that is horizontally, in 0.25 mm increments. Any parts of the print image that are outside the printable area as a result of this shift will be cropped.

ITEM	ACTION	EXPLANATION
Y ADJUST	+2.00MILLIMETER ~ 0.00MILLIMETER ~ - 2.00MILLIMETER	Adjusts the position of a whole print image in the direction the paper runs, that is vertically, in 0.25 mm increments. Any parts of the print image that are outside the printable area as a result of this shift will be cropped. Corrections in a negative value are ignored in PS mode.
DUPLEX X ADJUST	+2.00MILLIMETER ~ 0.00MILLIMETER ~ - 2.00MILLIMETER	When printing the reverse page of a duplex job, adjusts the position of the whole print image in the direction that is perpendicular to the direction the paper runs, that is horizontally, in 0.25 mm increments. Any parts of the print image that are outside the printable area as a result of this shift will be cropped.
DUPLEX Y ADJUST	+2.00MILLIMETER ~ 0.00MILLIMETER ~ - 2.00MILLIMETER	When printing the reverse page of a duplex job, adjusts the position of the whole print image in the direction the paper runs, that is vertically, in 0.25 mm increments. Any parts of the print image that are outside the printable area as a result of this shift will be cropped. Corrections in a negative value are ignored in PS mode.
DRUM CLEANING	ON OFF	Sets whether to rotate the drum in idle prior to printing in order to reduce any horizontal white lines. CAUTION: Each additional rotation will shorten the ID life by that amount.
HEX DUMP	EXECUTE	Prints out data received from the host PC in hexadecimal Dump. Turning off the power supply switch restores Normal Mode from HEX Dump Mode.

Maintenance Menu

ITEM	ACTION	EXPLANATION
MENU RESET	EXECUTE	Resets menus to default settings.
SAVE MENU	EXECUTE	Saves the current menu settings. The last menu executed is saved and the menu previously saved is overwritten and erased. When you press the OK button, the following confirmation message is displayed. ARE YOU SURE? YES/NO If you select NO, the display returns to the previous menu. If you select YES, the current menu settings are stored and the menu is exited.
RESTORE MENU	EXECUTE	Changes to the menu setting saved. When you press the OK button, the following confirmation message is displayed. ARE YOU SURE? YES/NO If NO is selected, the previous menu display resumes. If YES is selected, changes made to the menu setting are saved and you exit from the menu. Notes: This cannot be executed when data is printing. This menu item will only show if the menu has been saved previously
POWER SAVE	ENABLE / DISABLE	Enables or disables automatic power save mode. Delay before entering this mode is set in the SYSTEM CONFIGURATION menu.
SLEEP	ENABLE / DISABLE	Sets Enable/Disable of Sleep Mode.
PAPER BLACK SET	-2~ 0 ~+2	Used for small adjustments when you experience faded print or light specks / streaking in monochrome printing on white paper. Select a higher value to reduce fading, or a lower value to reduce specks or streaking in high density print areas.

ITEM	ACTION	EXPLANATION
PAPER COLOR SET	-2~0~+2	As above, but for color printing.
SMR STTING	-3~0~+3	Sets a correction value for uneven print quality, to correct print variations caused by variations in temperature and humidity or in print density/frequency.
BG SETTING	-3~0~+3	Sets a correction value for dark-colored paper printing, to correct print variations caused by variations in temperature and humidity or in print density/frequency.

Usage Menu

This menu is for information only, and provides an indication of total usage of the printer and the expected life left in its consumable items. This is particularly useful if you do not have a full set of replacement consumables to hand and you need to know how soon you will need them.

ITEM	EXPLANATION
TRAY1 COUNT	The total number of pages fed from tray 1.
TRAY2 COUNT	The total number of pages fed from tray 2 (if fitted).
MP TRAY COUNT	The total number of pages fed from the multi purpose tray.
DRUM UNIT LIFE REMAINING	Percentage of image drum life remaining.
BELT LIFE REMAINING	Percentage of belt life remaining.
FUSER LIFE REMAINING	Percentage of fuser life remaining.
K TONER (n.nK) REMAINING C TONER (n.nK) REMAINING M TONER (n.nK) REMAINING Y TONER (n.nK) REMAINING	Cartridge size and current toner level.

Administrator Menu

This menu should only be changed by the System Administrator. In order to gain access to this menu, follow the instructions in “How to change the settings - administrator” earlier in this chapter.

This menu is in ENGLISH only.

SECTION	ITEM	SETTING S	EXPLANATION
Enter Password		xxxxxxx xxxx	Enter a password to gain entry to the Admin menu. Password should be from 6 to 12 digits of alpha/numeric characters (or mix) The default value is “aaaaaa”
OP MENU	ALL CATE- GORY	ENABLE DISABLE	Set up ENABLE/DISABLE condition for all categories in USERS MENU.
	PRINT JOBS MENU	ENABLE DISABLE	Set up ENABLE/DISABLE condition for PRINT JOB MENU category. If DISABLE is selected, PRINT JOBS MENU category of USERS MENU will not appear. Display Condition: SD card must be installed.
	INFORMA- TION MENU	ENABLE DISABLE	Set up ENABLE/DISABLE condition for INFORMATION MENU category. If DISABLE is selected, INFORMATION MENU category of USERS MENU will not appear.

SECTION	ITEM	SETTING S	EXPLANATION
OP MENU (cont.)	SHUTDOWN MENU	ENABLE DISABLE	Set up ENABLE/DISABLE condition for SHUTDOWN MENU category. If DISABLE is selected, SHUTDOWN MENU category of USERS MENU will not appear.
	PRINT MENU	ENABLE DISABLE	Set up ENABLE/DISABLE condition for PRINT MENU category. If DISABLE is selected, PRINT MENU category of USERS MENU will not appear.
	MEDIA MENU	ENABLE DISABLE	Set up ENABLE/DISABLE condition for MEDIA MENU category. If DISABLE is selected, MEDIA MENU category of USERS MENU will not appear.
	COLOR MENU	ENABLE DISABLE	Set up ENABLE/DISABLE condition for COLOR MENU category. If DISABLE is selected, COLOR MENU category of USERS MENU will not appear.
	SYS CONFIG MENU	ENABLE DISABLE	Set up ENABLE/DISABLE condition for SYS.CONFIG MENU category. If DISABLE is selected, SYS.CONFIG MENU category of USERS MENU will not appear.

SECTION	ITEM	SETTING S	EXPLANATION
OP MENU (cont.)	PCL EMULATION	ENABLE DISABLE	Set up ENABLE/DISABLE condition for PCL EMULATION category. If DISABLE is selected, PCL EMULATION category of USERS MENU will not appear.
	PPR EMULATION	ENABLE DISABLE	Set up ENABLE/DISABLE condition for PPR EMULATION category. If DISABLE is selected, PPR EMULATION category of USERS MENU will not appear.
	FX EMULATION	ENABLE DISABLE	Set up ENABLE/DISABLE condition for FX EMULATION category. If DISABLE is selected, FX EMULATION category of USERS MENU will not appear.
	USB MENU	ENABLE DISABLE	Set up ENABLE/DISABLE condition for USB MENU category. If DISABLE is selected, USB MENU category of USERS MENU will not appear.
	NETWORK MENU	ENABLE DISABLE	Set up ENABLE/DISABLE condition for NETWORK MENU category. If DISABLE is selected, NETWORK MENU category of USERS MENU will not appear.
	MEMORY MENU	ENABLE DISABLE	Set up ENABLE/DISABLE condition for MEMORY MENU category. If DISABLE is selected, MEMORY MENU category of USERS MENU will not appear.

SECTION	ITEM	SETTING S	EXPLANATION
OP MENU (cont.)	SYS ADJUST MENU	ENABLE DISABLE	Set up ENABLE/DISABLE condition for SYS.ADJUST MENU category. If DISABLE is selected, SYS.ADJUST MENU category of USERS MENU will not appear.
	MAINTENANCE MENU	ENABLE DISABLE	Set up ENABLE/DISABLE condition for MAINTENACE MENU category. If DISABLE is selected, MAINTENANCE MENU category of USERS MENU will not appear.
	USAGE MENU	ENABLE DISABLE	Set up ENABLE/DISABLE condition for USAGE MENU category. If DISABLE is selected, USAGE MENU category of USERS MENU will not appear.
CONFIG. MENU	NEARLIFE STATUS	ENABLE DISABLE	Set LCD panel control at the time of near-life warning for drum, fuser and belt. Enable: Display a near-life warning. Disable: Do not display a near-life warning.
	LIFE WARNING	ENABLE DISABLE	If DISABLE is selected, the printer does not display life warning after cover opening and closing. Display Condition: NEARLIFE STATUS is set to DISABLE.

SECTION	ITEM	SETTING S	EXPLANATION
CONFIG. MENU (cont.)	NEARLIFE LED	ENABLE DISABLE	Enables/disables illumination of front panel LED when "near-end-of-life" warning of a toner, drum, fuser, or belt occurs. Attention LED is lit when setting is enabled, inhibited when disabled.
	ECO MODE	ON OFF	When ON, if the machine is in power save mode and you send a small print job (1 or 2 pages), the machine will print the job without warming the fuser to the "normal" operating temperature beforehand. When you change the setting and exit the Admin Menu, the machine will power cycle then the following message is displayed "PLEASE POWER OFF/ON". Switch the power off then turn the machine back on.
SECURITY MENU	JOB LIMITATION	OFF ENCRYPTED JOB	Job limitation mode control. Jobs other than specified ones are rejected.

SECTION	ITEM	SETTING S	EXPLANATION
SECURITY MENU (cont.)	MAKE SECURE SD-M	EXECUTE	<p>SD Card encoding function is made effective.</p> <p>Formation of the cipher key and encoding function (security mode) information is turned on. At the same time, it initializes the SD card.</p> <p>After execution, the following confirmation messages will appear.</p> <p>Are You Sure?</p> <p>Yes</p> <p>No</p> <p>If No is selected, the display will return to the previous menu.</p> <p>If Yes is selected, the printer will be automatically rebooted and the encoding function will become effective.</p> <p>Display Conditions: SD Card is installed, SD Card encoding function invalidity and</p> <p>Storage Setup > Enable Initialization > Yes</p>

SECTION	ITEM	SETTING S	EXPLANATION
SECURITY MENU (cont.)	MAKE NORMAL SD-M	EXECUTE	<p>SD Card encoding function is set to invalid.</p> <p>Deletion of the cipher key and encoding function (security mode) information is turned off. At the same time, it initializes the SD card.</p> <p>After execution, the following confirmation messages will appear.</p> <p>Are You Sure?</p> <p>Yes</p> <p>No</p> <p>If No is selected, the display will return to the previous menu.</p> <p>If Yes is selected, the printer will be automatically rebooted and the encoding function will become invalid.</p> <p>Display Conditions: SD Card is installed, SD Card encoding function invalidity and</p> <p>Storage Setup > Enable Initialization > Yes</p>

SECTION	ITEM	SETTING S	EXPLANATION
SECURITY MENU (cont.)	RESET CIPHER KEY	EXECUTE	<p>Resets a cipher key to be used on an encrypted SD card.</p> <p>When this processing is done, all data stored on the SD card cannot be restored.</p> <p>After execution, the following confirmation messages will appear.</p> <p>Are You Sure?</p> <p>Yes</p> <p>No</p> <p>If No is selected, the display will return to the previous menu.</p> <p>If Yes is selected, the printer will be automatically rebooted and the resetting of the cipher key will be executed.</p> <p>Display Conditions: SD Card implementation An encrypted SD card function is enabled.</p>

SECTION	ITEM	SETTING S	EXPLANATION
FILE SYS MAINTE1	SD-M INI- TIALIZE	EXECUTE	<p>Initializes the SD Card to the factory default setting. Machine performs partition-division, and initializes each partition.</p> <p>When this menu is executed, the following confirmation message appears.</p> <p>ARE YOU SURE? YES/NO</p> <p>If "NO" is selected, the display will go back to the source menu. If "YES" is selected, the printer will automatically reboot and execute SD card Initialization.</p> <p>This item is displayed only if the SD card (option) is installed.</p>
	PARTITION SIZE	EXECUTE	<p>The screen will display the SD card partition size.</p> <p>This item is displayed only if the SD card (option) is installed.</p>

SECTION	ITEM	SETTING S	EXPLANATION
FILE SYS MAINT1 (cont.)	SD-M FORMATTING	PCL COMMON PSE	<p>Format the specified partition. Press the OK button and the following message displays.</p> <p>ARE YOU SURE? YES/NO</p> <p>If NO is selected, the display will go back to the source menu. If YES is selected, the printer will automatically reboot and initialize the specified partition.</p> <p>This item is displayed only if the SD card (option) is installed.</p>
	FLASH INITIALIZE	EXECUTE	<p>Initializes the resident FLASH MEMORY.</p> <p>If NO is selected, the machine will go back to the source menu.</p> <p>If YES is selected, the machine will be automatically rebooted and initialize the FLASH memory.</p>
FILE SYS MAINT2	CHK FILE SYS	EXECUTE	<p>Executing this function will resolve any mismatch between the actual and the displayed free space of the file system and recover the management data (FAT information).</p> <p><i>Note 1: It takes several seconds to complete this function.</i></p> <p><i>Note 2: This item is displayed only if the SD card (option) is installed.</i></p>

SECTION	ITEM	SETTING S	EXPLANATION
FILE SYS MAINTE2 (cont.)	CHK ALL SEC- TORS	EXECUTE	Performs recovery of defective SD Card sector information and a file system mismatch mentioned above.
	SD CARD	ENABLE DISABLE	<p>Even if a machine is inoperable at installation because of a faulty SD Card, the machine can be made operable by setting this parameter to No (ignores the existence of the SD Card).</p> <p>When No is set, access to the SD Card results in FAIL because the SD Card is regarded as not attached.</p> <p>After setting change and exit from the menu, the printer will restart.</p> <p>This item is displayed only if the SD card (option) is installed.</p>

SECTION	ITEM	SETTING S	EXPLANATION
FILE SYS MAINTE2 (cont.)	SD CARD ERASE	EXECUTE	<p>Deletion of all data stored in the SD Card. Data cannot be recovered. DoD 5220.22-M sanitizing formula is used for clearing the card. The printer will restart after changing the setup menu.</p> <p>The progress of the procedure is displayed as a percentage.</p> <p>The following message appears after pressing the OK button.</p> <p>ARE YOU SURE? YES/NO</p> <p>If NO is selected, the display will go back to the source menu, and the procedure for clearing the disk will start again immediately after the reboot.</p> <p>if YES is selected.</p> <p>The following message appears if the CANCEL button is pressed.</p> <p>CANCEL NOW? YES/NO</p> <p>If NO is selected, the procedure will continue.</p> <p>If YES is selected, the procedure will discontinue and the printer will restart after formatting the SD card.</p> <p>This item is displayed only if the SD card (option) is installed.</p>

SECTION	ITEM	SETTING S	EXPLANATION
FILE SYS MAINTEN2 (cont.)	INITIAL LOCK	YES NO	If "YES" is selected, you will not be able to select "ADMIN MENU" - "FILE SYS MAINTEN1" (above).
LANGUAGE MENU	LANG INITIALIZE	EXECUTE	Initialize the message file loaded in FLASH MEMORY. If NO is selected, the machine will go back to the source menu. The procedure for clearing the disk will start immediately after the menu and machine reboot.
PS MENU	L1 TRAY	TYPE1 TYPE2	Switches between Postscript types
SIDM MENU	SIDM MANUAL ID#	0 ~ 2 ~ 9	Set up Pn specified in MANUAL by MANUAL-1 ID No.FX/PPR Emu in CSFcontrol command fi(ESC EM Pn).
	SIDM MANUAL2 ID#	0 ~ 3 ~ 9	Set up Pn specified MANUAL by MANUAL-2 ID No.FX/PPR Emu in CSF control command(ESC EM Pn).
	SIDM MP TRAY ID#	0 ~ 4 ~ 9	Set up Pn specified TRAYO(MP Tray) by MP Tray ID No.FX/PPR Emu in CSF control command(ESC EM Pn).
	SIDM TRAY1 ID#	0 ~ 1 ~ 9	Set up Pn specified TRAY 1by Tray 1 ID No.FX/PPR Emu in CSF control command(ESC EM Pn).
	SIDM TRAY2 ID#	0 ~ 2 ~9	Set up Pn specified TRAY 2 by Tray 2 ID No.FX/PPR Emu in CSF control command (ESC EM Pn).

SECTION	ITEM	SETTING S	EXPLANATION
CHANGE PASSWORD	NEW PASS-WORD	xxxxxxx xxxx	Set a new password for entering the administrator's menu. Password should be from 6 to 12 digits of alpha/numeric characters (or mix) The default value is "aaaaaa" The printer will restart after the ADMIN MENU.
	VERIFY PASS-WORD	xxxxxxx xxxx	Verification of above.

Print Statistics Menu

This menu should only be changed by the System Administrators. In order to gain access to this menu, follow the instructions in "How to change the settings - administrator" on page 40, but hold down the Menu button instead of the OK button. In this case, the default password is 0000.

This menu is in ENGLISH only

SECTION	ITEM	SETTING	EXPLANATION
ENTER PASSWORD		nnnn	Enters a password to enter Print Statistics menu. The default password is "0000." "Print Statistics" category is not shown when Print Statistics function is not supported.
USAGE REPORT		ENABLE/ DISABLE	Enables/Disables the printing of the Usage Report. When changing a setting value, the printer is rebooted.

SECTION	ITEM	SETTING	EXPLANATION
GROUP COUNTER		ENABLE/ DISABLE	Specifies if the Group counter is displayed in the Usage Report Print. Enable: Displayed, Disable: Not displayed. Conditions for display: Enable must be selected in Print Statistics > Usage Report.
SUPPLIES REPORT		ENABLE/ DISABLE	Indication of frequency of consumable exchange/non indication is set. When Enable is set, also the maintenance counter is indicated in together. Conditions for display: Enable must be selected in Print Statistics > Usage Report.
RST MAIN CNT		EXECUTE	Zeros the counter
CHANGE PASSWORD	NEW PASS- WORD	****	Sets a new password to enter Print Statistics menu.
	VERIFY PASSWORD	****	Verifies the change

Replacing Consumables and Maintenance Items

Order Information

Only use genuine Oki Original products to ensure the best quality and performance from your hardware. Non Oki Original products may adversely affect your printer's performance.

Item	C330 Order No.	C530 Order No.
Toner, black Standard Capacity High Capacity	44469801 —	44469801 44469802
Toner, cyan Standard Capacity High Capacity	44469703 —	44469703 44469721
Toner, magenta Standard Capacity High Capacity	44469702 —	44469702 44469720
Toner, yellow Standard Capacity High Capacity	44469701 —	44469701 44469719
Image drum	44494201	44494201

Toner Cartridge Replacement

Note:

When the LCD display indicates TONER LOW, or if print appears faded, first open the top cover and try tapping the cartridge a few times to evenly distribute the toner powder. This will enable you to obtain the best "yield" from your toner cartridge.

CAUTION!

To avoid toner wastage and possible toner sensor errors, do not change the toner cartridge(s) until "TONER EMPTY" is displayed.

Have a sheet of paper handy so that you have somewhere to place the used cartridge while you install the new one.

Dispose of the old cartridge responsibly, inside the pack that the new one came in. Follow any regulations, recommendations, etc., which may be in force concerning waste recycling.

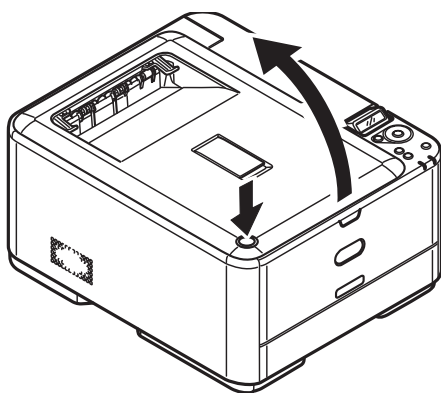
If you do spill any toner powder, lightly brush it off. If this is not enough, use a *cool*, damp cloth to remove any residue.

Do not use hot water, and never use solvents of any kind. They will make stains permanent.

WARNING!

If you inhale any toner or get it in your eyes, drink a little water or bathe your eyes liberally in cold water. Seek medical attention immediately.

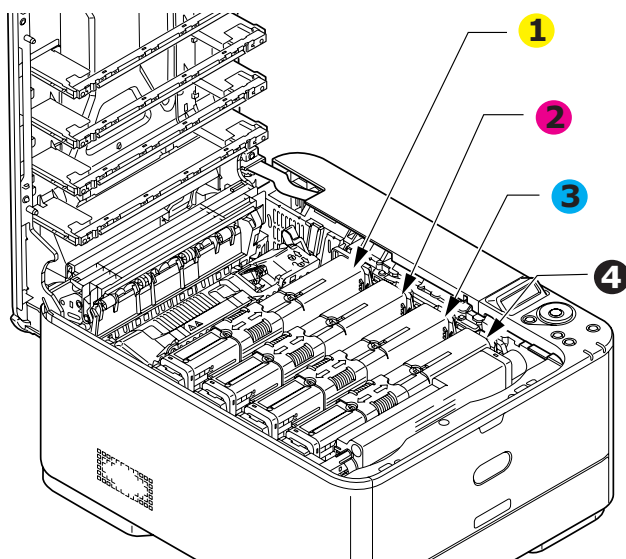
1. Press the cover release and open the printer's top cover fully.



WARNING

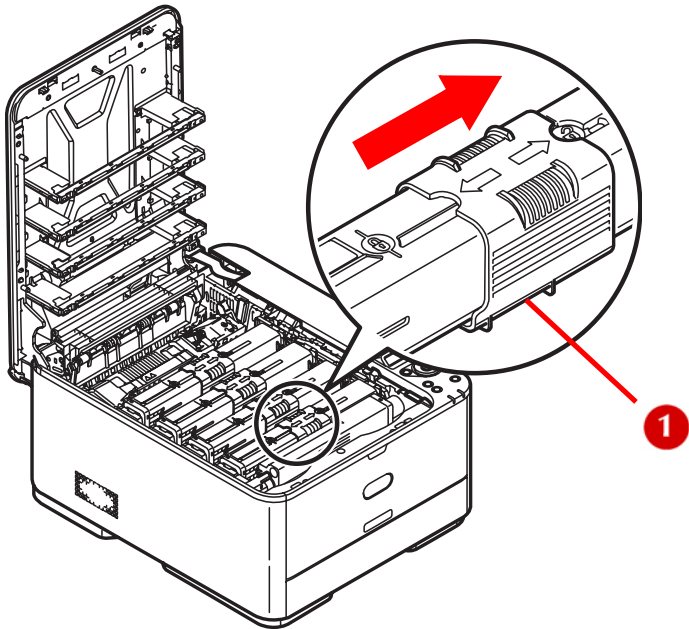
If the printer has been powered on, the fuser may be hot. This area is clearly labelled. Do not touch.

2. Note the positions of the four cartridges. It is essential that they go back in the same order.

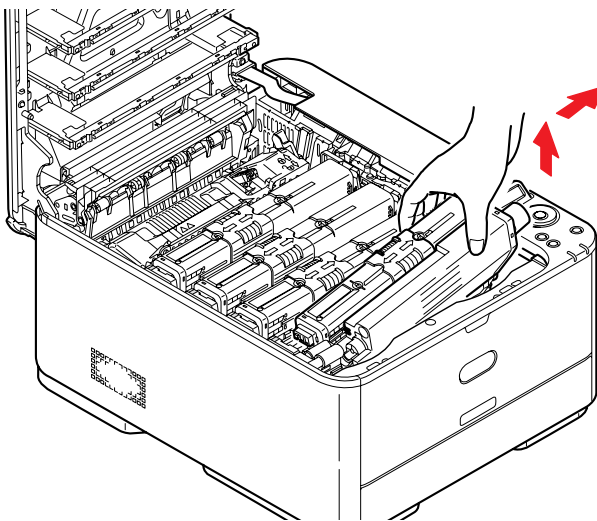


1. Yellow
2. Magenta
3. Cyan
4. Black

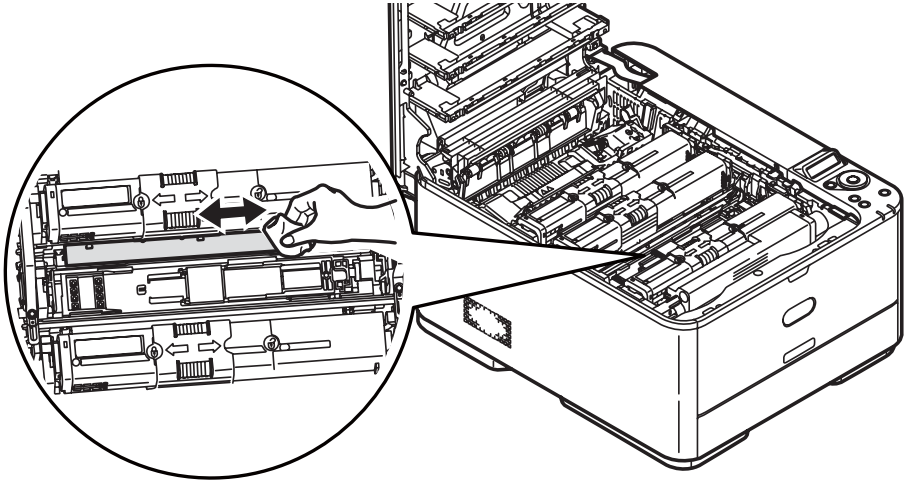
- (a) Slide the colored release collar (1) on the cartridge to be replaced fully towards the right hand side of the printer.



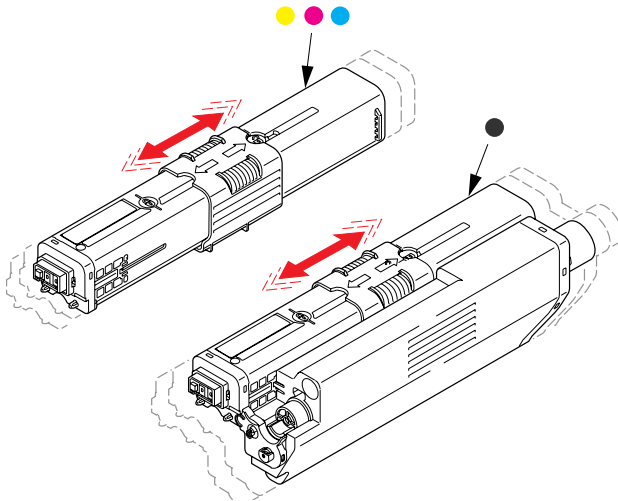
- (b) Lift the right-hand end of the cartridge and then draw the cartridge to the right to release the left-hand end as shown, and withdraw the toner cartridge out of the printer.



- Put the cartridge down gently onto a piece of paper to prevent toner from marking your furniture
- Clean the top of the ID unit with a clean, lint free cloth.

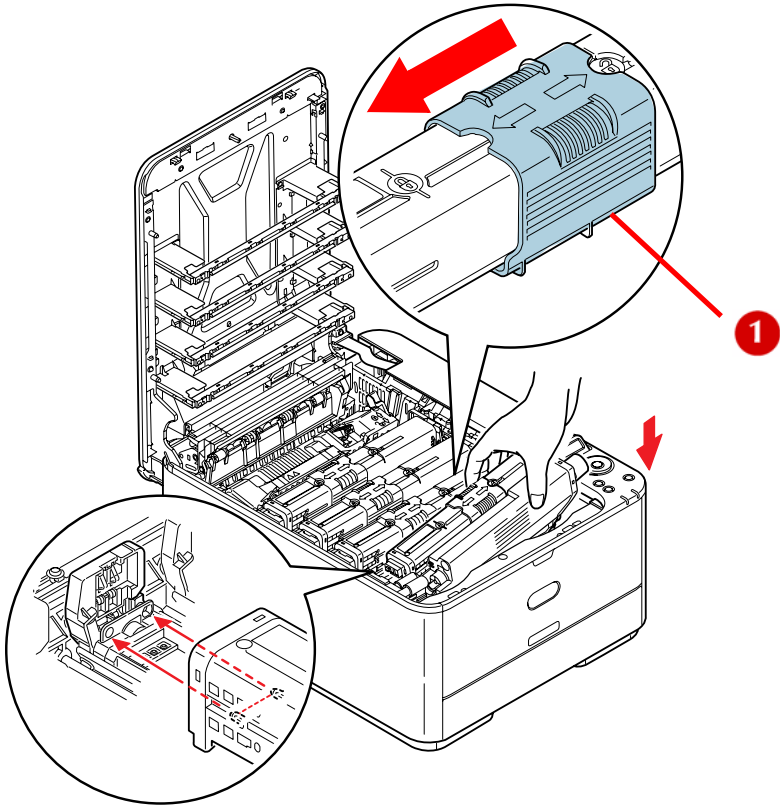


- Remove the new cartridge from its box but leave its wrapping material in place for the moment.
- Gently shake the new cartridge from end to end several times to loosen and distribute the toner evenly inside the cartridge.

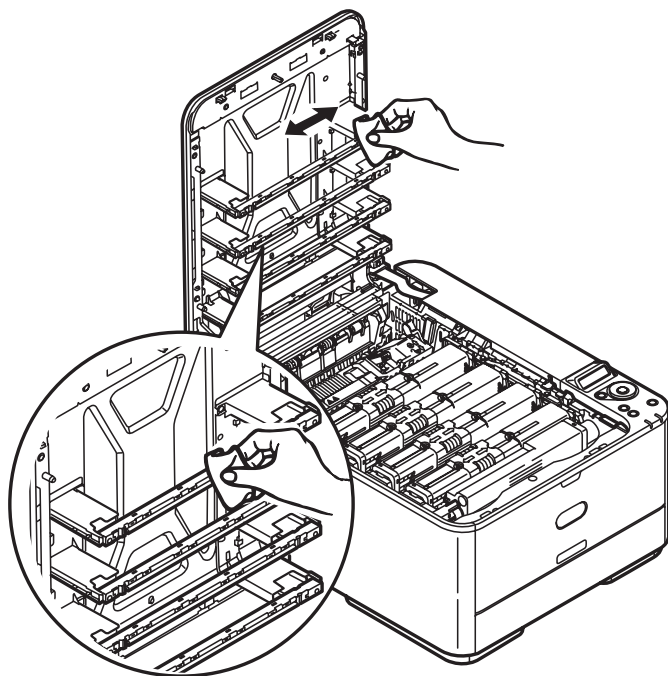


- Remove the wrapping material.

8. Holding the cartridge by its top center, lower it into the area of the image drum unit from which the old cartridge was removed.
9. Pressing gently down on the cartridge to ensure that it is firmly seated, slide the colored collar (1) fully towards the left hand side of the printer. This will lock the cartridge into place and release toner into the image drum unit.



10. Gently wipe the LED head surface with a clean, lint free cloth.



11. Finally, close the top cover and press down firmly so that the cover latches closed.

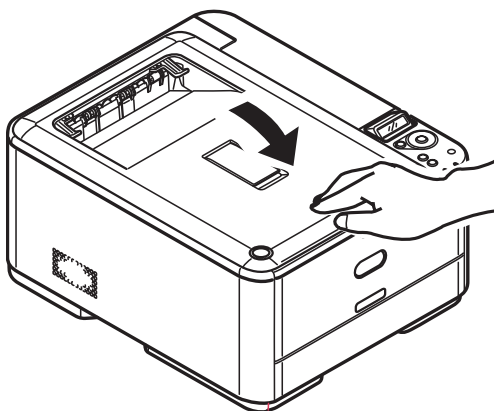


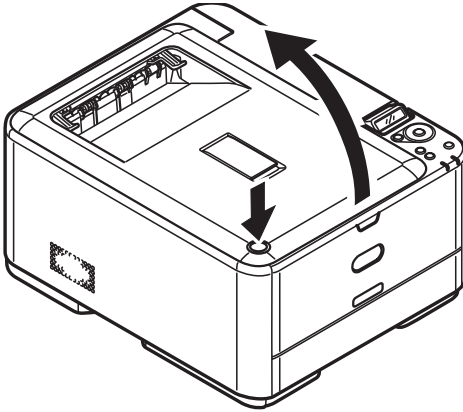
Image Drum Replacement. _____

CAUTION!



Static sensitive devices, handle with care.

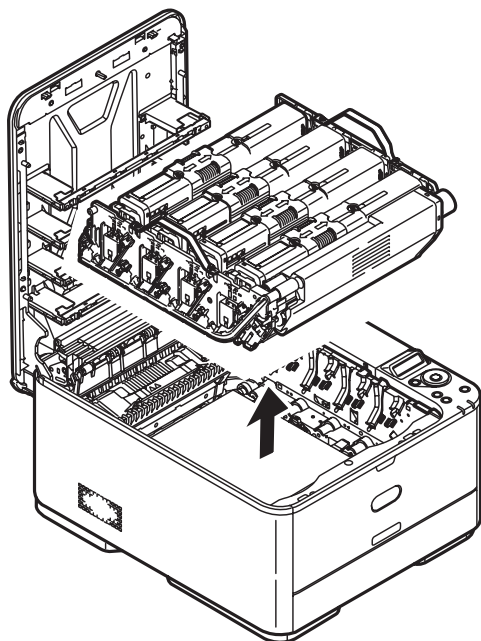
1. Press the cover release and open the printer's top cover fully.



WARNING!

If the printer has been powered on, the fuser will be hot. This area is clearly labelled. Do not touch.

2. Holding it by its handles, lift the image drum assembly, complete with toner cartridges, up and out of the printer.

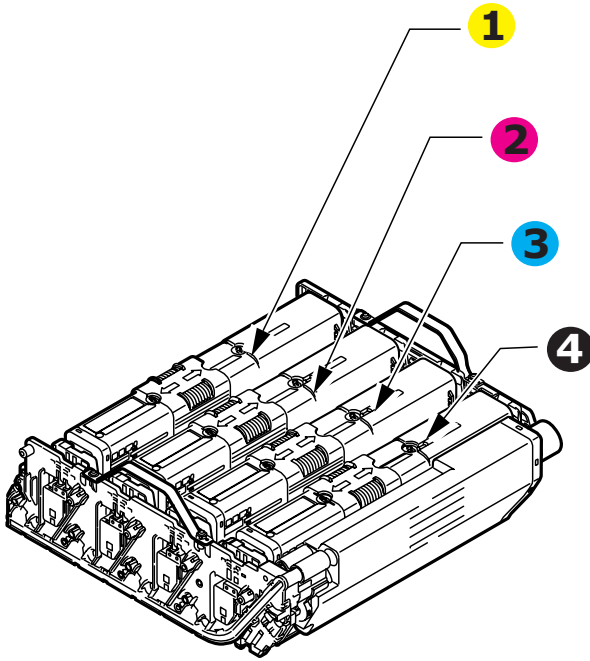


3. Put the assembly down gently on a piece of paper to prevent toner from marking your furniture and to avoid damaging the green drum surface.

CAUTION!

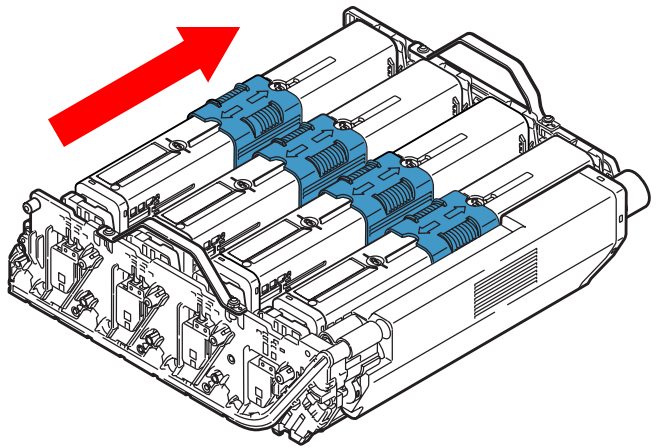
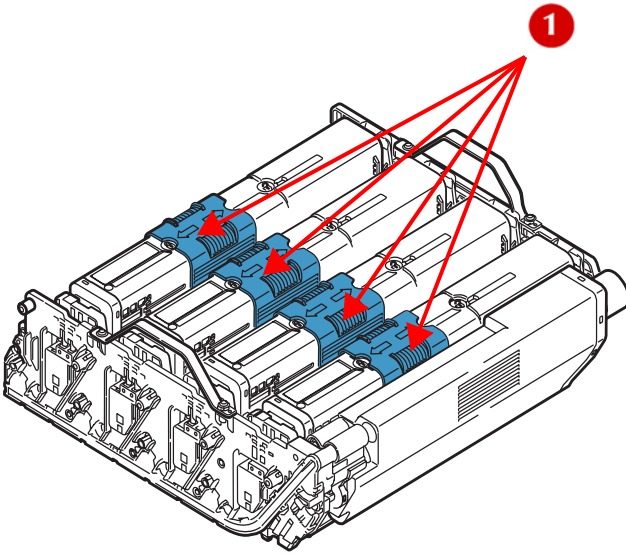
The green image drum surface at the base of the ID unit is very delicate and light sensitive. Do not touch it and do not expose it to normal room light for more than 5 minutes. If the drum unit needs to be out of the printer for longer than this, please wrap the cartridge inside a black plastic bag to keep it away from light. Never expose the drum to direct sunlight or very bright room lighting.

4. Note the positions of the toner cartridges in the drum (1 = Yellow, 2 = Magenta, 3 = cyan, 4 = black). It is essential that you replace them in the same order.

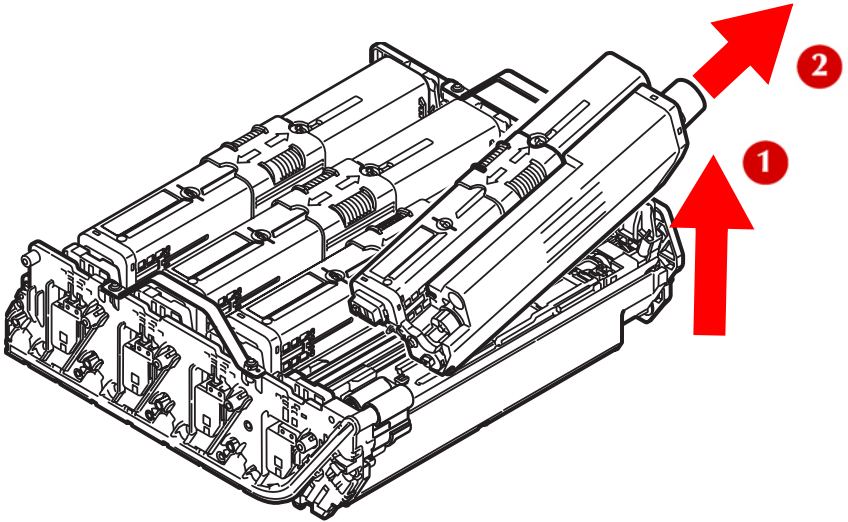


5. Remove the four toner cartridges from the drum:

- (a) Slide the colored release collars (1) on the cartridges fully to the right. This will release the bond between the toner cartridge and the image drum unit.



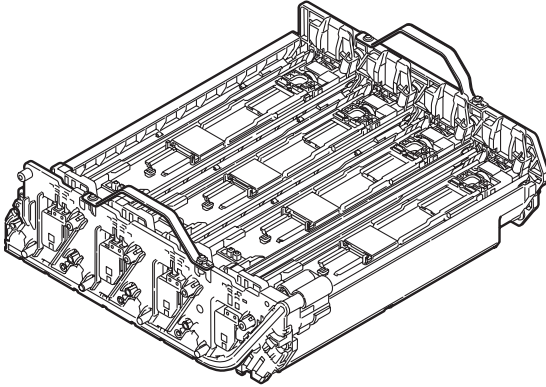
6. Lift the right-hand end of each toner cartridge and draw the cartridge to the right to release the left-hand end. Then lift each toner cartridge out of the image drum and place them on a piece of paper to avoid marking your furniture.



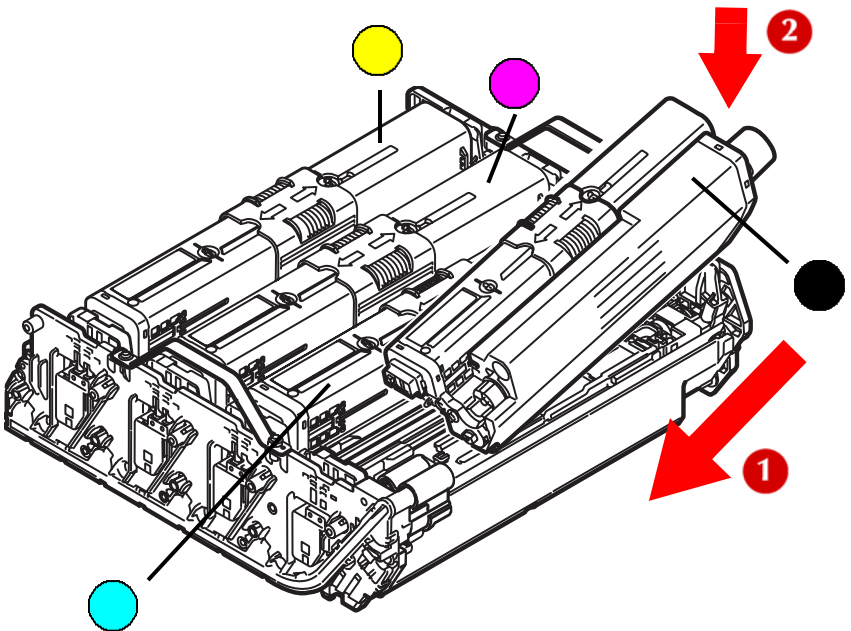
Note:

See the instructions that come with the new image drum for additional information such as the removal of packaging material etc.

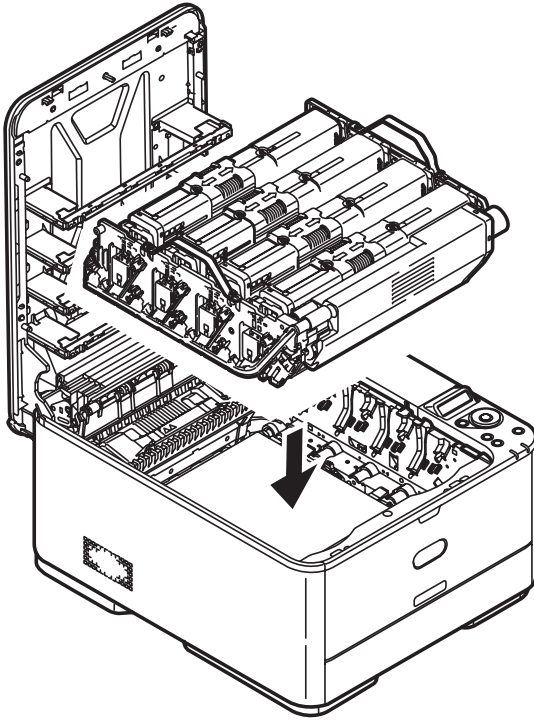
7. Take the new image drum cartridge out of its packaging and place it on the piece of paper where the old cartridge was placed. Keep it the same way round as the old unit. Pack the old cartridge inside the packaging material for disposal.



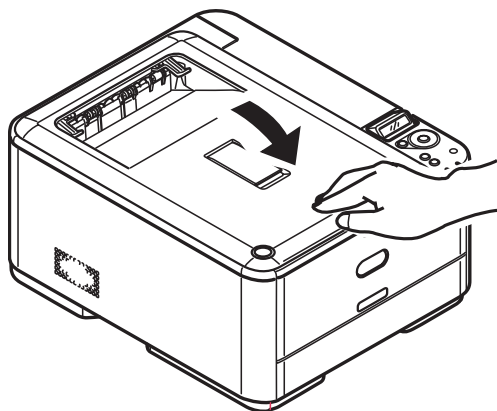
8. Place each of the toner cartridges in the new image drum reversing the process used to remove them. Be sure to put them in in the proper sequence. Slide the collars back to the left to secured the cartridges in place. (It is not necessary to fit a new toner cartridge at this time unless the remaining toner level is very low.)



9. Holding the complete assembly by its handles, lower it into place in the printer, locating the pegs at each end into their slots in the sides of the printer cavity.



10. Finally, close the top cover and press down firmly so that the cover latches closed.



Important!

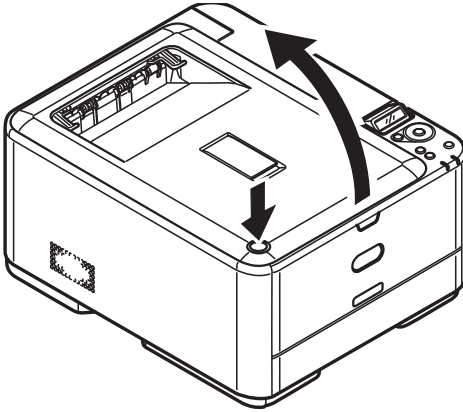
If you need to return or transport your printer for any reason, please make sure you remove the image drum unit beforehand and place it in the bag provided. This is to avoid toner spillage.

Replacing the Transfer Belt Unit _____

The belt unit is located under the image drum assembly.

Switch off the printer and allow the fuser to cool for about 10 minutes before opening the cover.

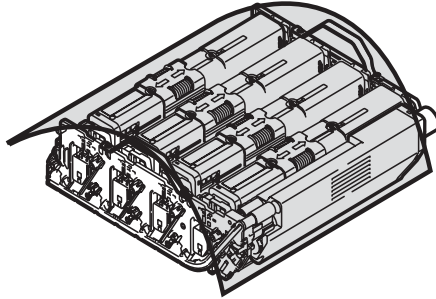
1. Press the cover release and open the printer's top cover fully.



WARNING!

If the printer has been powered on, the fuser will be hot. This area is clearly labelled. Do not touch.

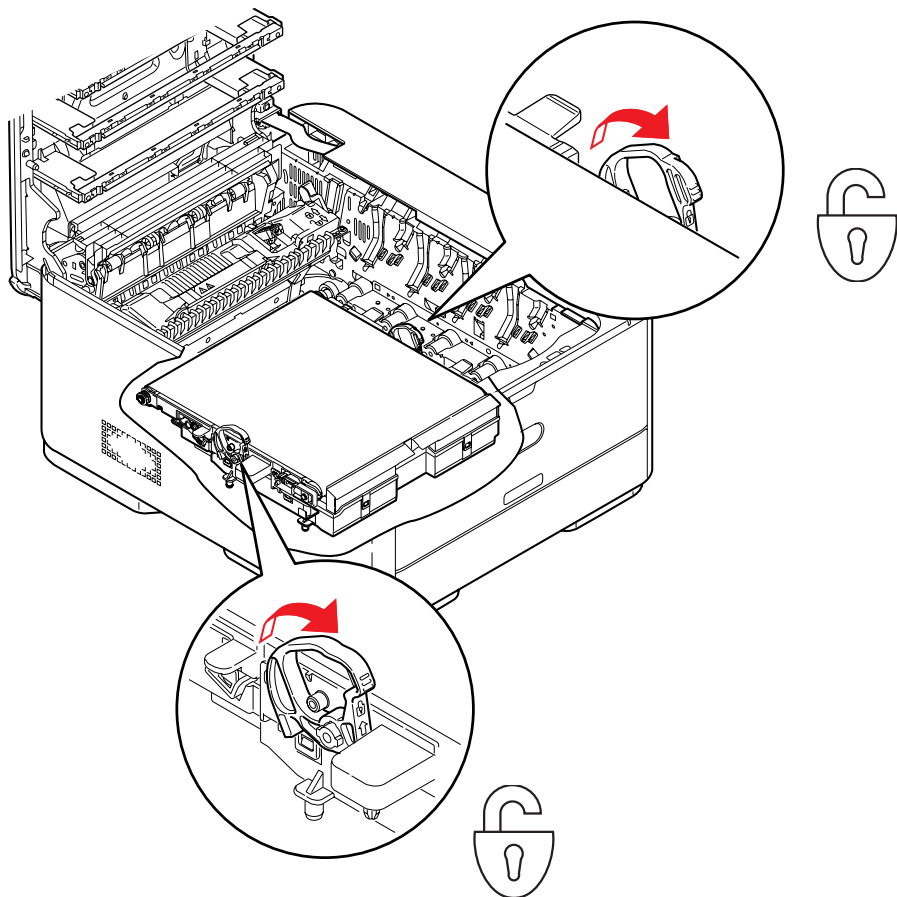
2. Holding it by its handles, lift the image drum assembly, complete with toner cartridges, up and out of the printer. Place the assembly in a safe place away from direct sources of heat, and cover it to protect it from exposure to light.



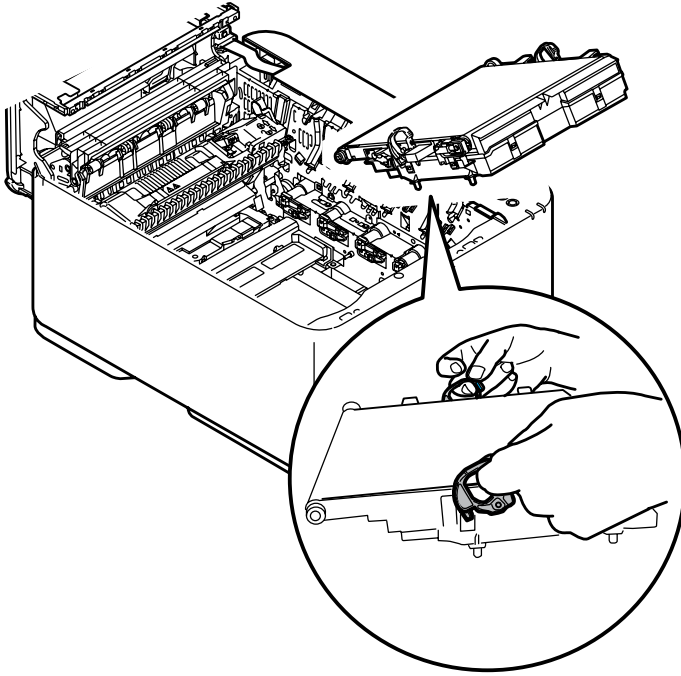
CAUTION!

The green image drum surface at the base of each cartridge is very delicate and light sensitive. Do not touch it and do not expose it to normal room light for more than 5 minutes. If the drum unit needs to be out of the printer for longer than this, please wrap the cartridge inside a black plastic bag to keep it away from light. Never expose the drum to direct sunlight or very bright room lighting.

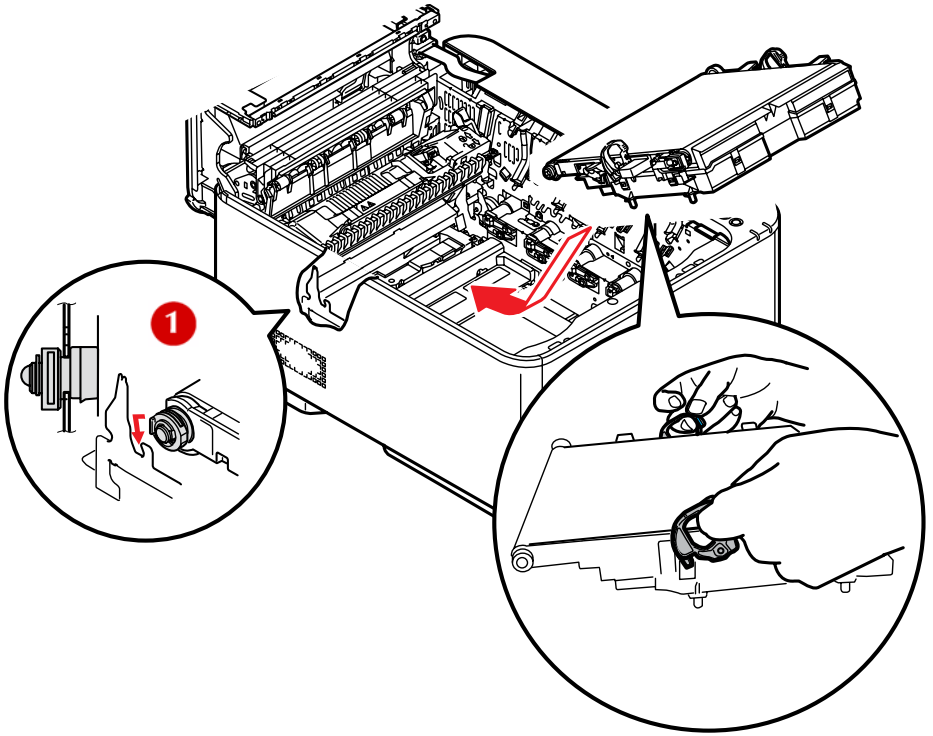
3. Pull the locking levers at each side of the transfer belt up and towards the front of the machine.



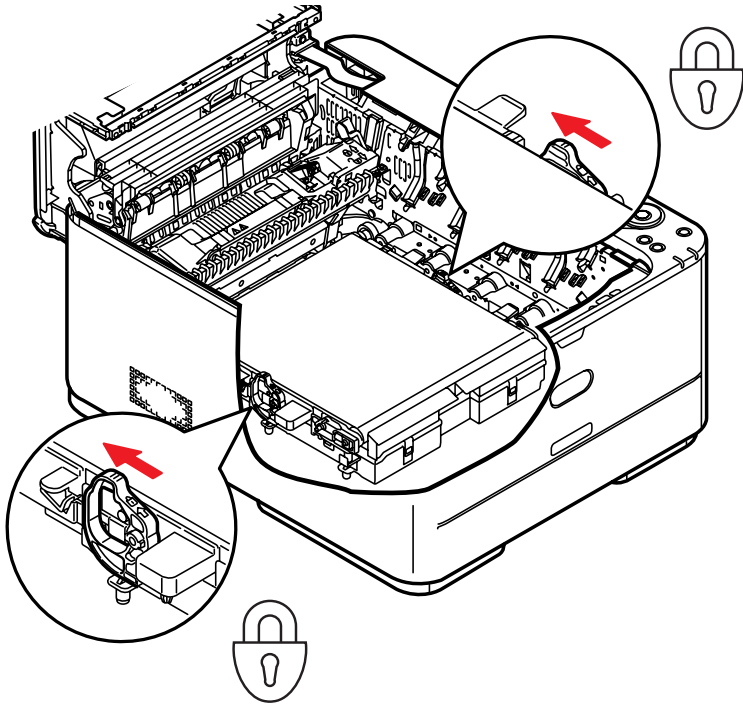
4. Using the locking levers, lift the belt upwards and withdraw it from the printer.



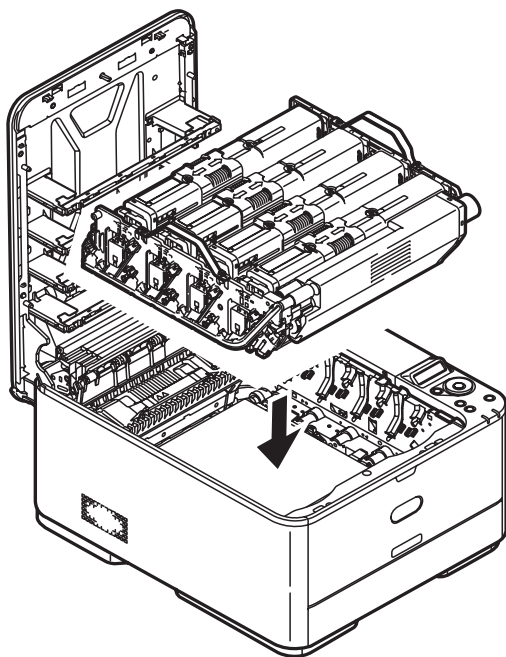
5. Unpack the new transfer belt. Position the transfer belt drive gear (1) toward the left rear of the printer and lower the belt into the printer.



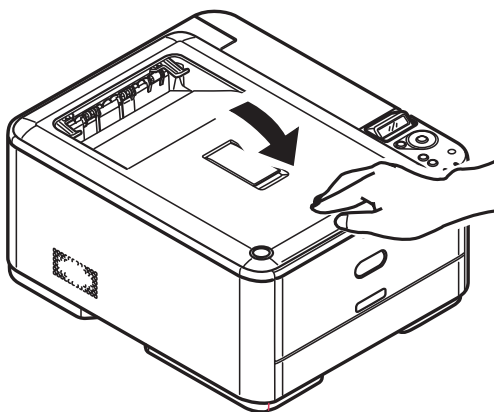
6. Push the lock levers toward the back of the printer.



7. Align the pegs on the sides of the image drum with the slots in the sides of the printer and place the image drum and toner cartridges back into the printer.



8. Close the top cover and press down firmly so that the cover latches closed.



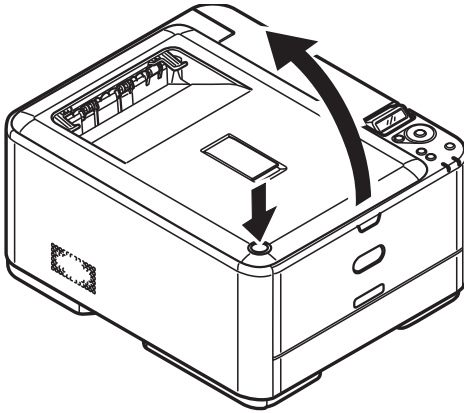
Fuser Replacement

The fuser is located inside the printer just behind the toner cartridges.

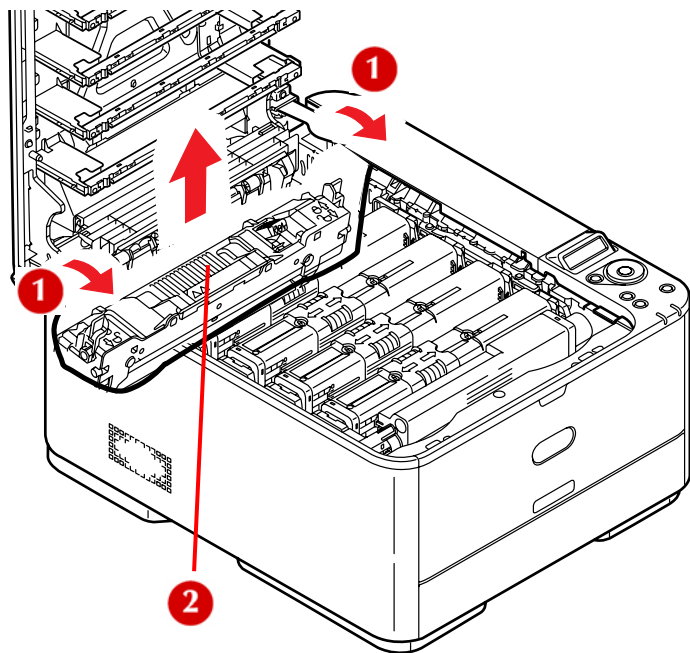
WARNING

If the printer has recently been powered on, some fuser components will be very hot. Handle the fuser with extreme care, holding it only by its handle, which will only be mildly warm to the touch. A warning label clearly indicates the area. If in doubt, switch the printer off and wait at least 10 minutes for the fuser to cool before opening the printer cover.

1. Press the cover release and open the printer's top cover fully.

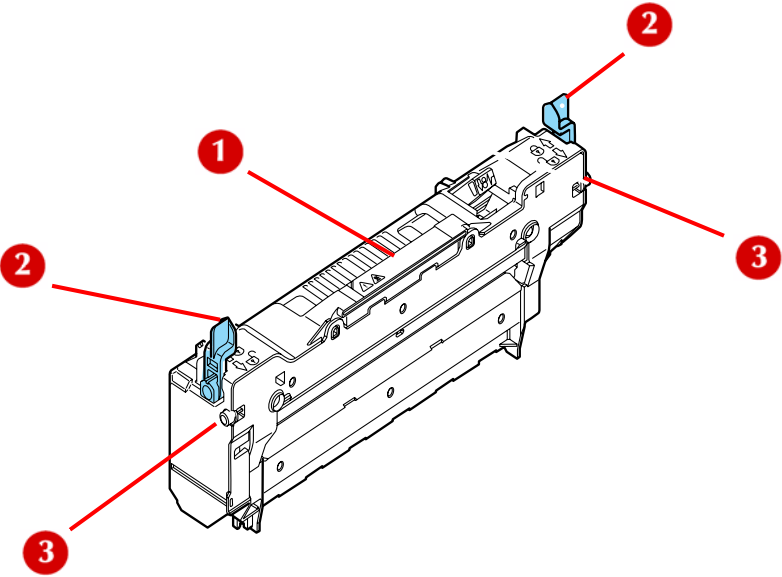


2. Pull the two fuser retaining levers (1) towards the front of the printer so that they are fully upright. Holding the fuser by its handle (2), lift the fuser straight up and out of the printer. If the fuser is still warm, place it on a flat surface which will not be damaged by heat.

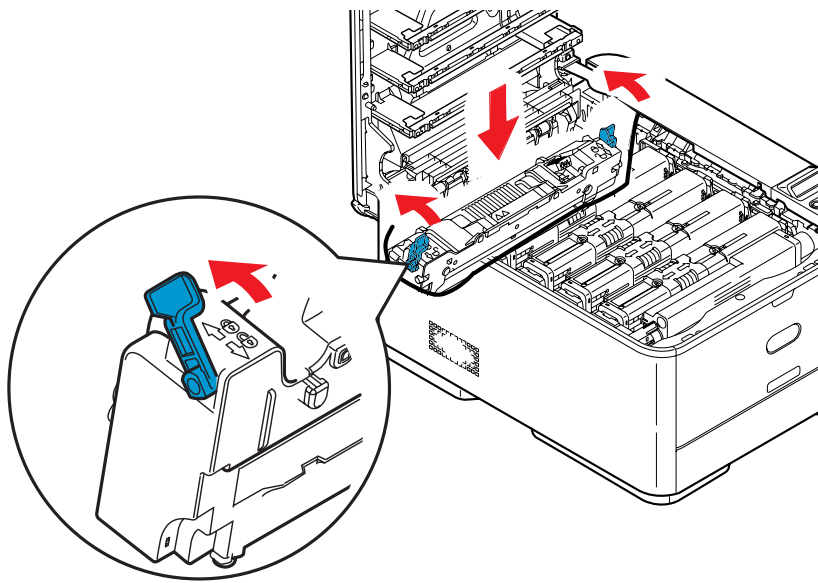


3. Unpack the new fuser.

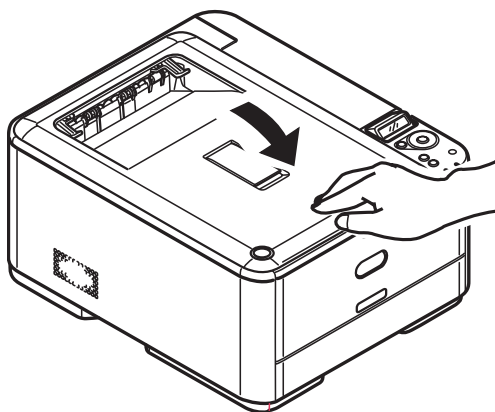
4. Holding the new fuser by its handle (1), make sure that it is the correct way round. The retaining levers (2) should be fully upright, and the two locating lugs (3) should be towards you.



5. Lower the fuser into the printer, locating the two lugs into their slots in the sides of the printer cavity. Then push the two retaining levers towards the rear of the printer to lock the fuser in place.



6. Close the top cover and press down firmly so that the cover latches closed.



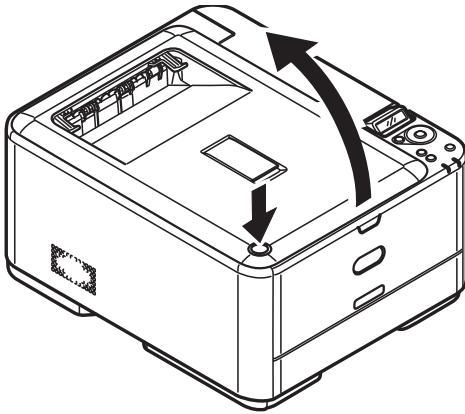
Cleaning the LED Head

Clean the LED heads when printing does not come out clearly, has white lines or when text is blurred. There is no need to switch off the printer to clean the LED heads.

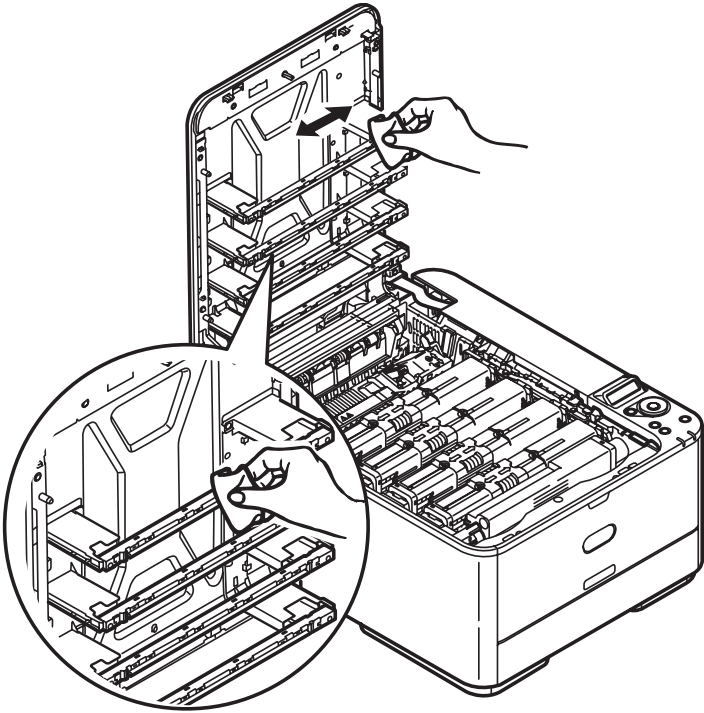
CAUTION!

Do not use methyl alcohol or other solvents on the LED head as damage to the lens surface will occur.

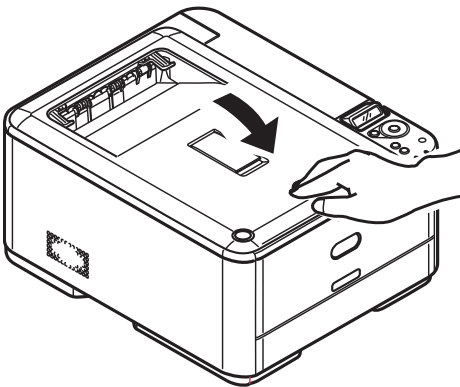
1. Press the cover release and open the printer's top cover fully.



2. Gently wipe the LED head surfaces with a clean, lint free cloth.



3. Close the top cover and press down firmly so that the cover latches closed.

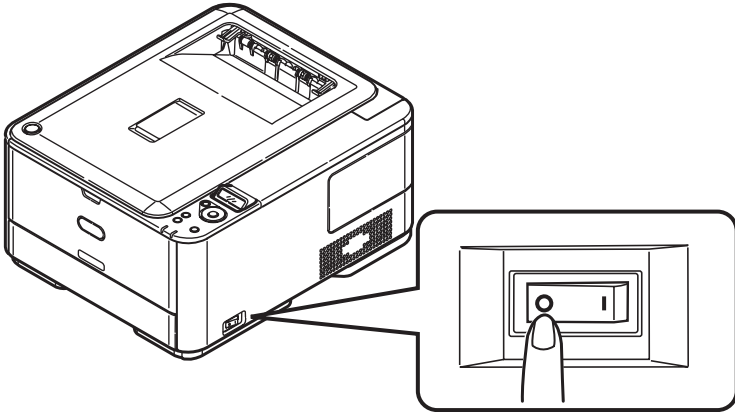


Cleaning the Housing

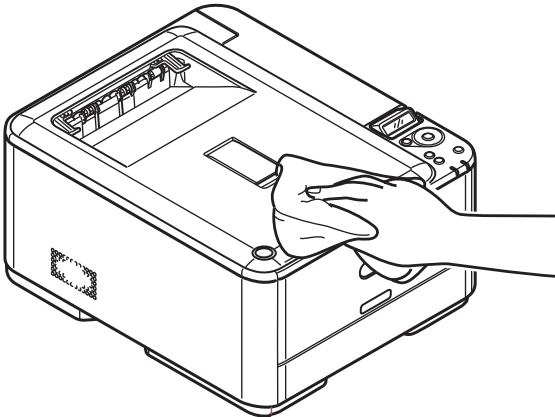
CAUTION

Do not use solvents such as benzene, thinner or alcohol as a cleaning agent.

1. Turn off the printer.

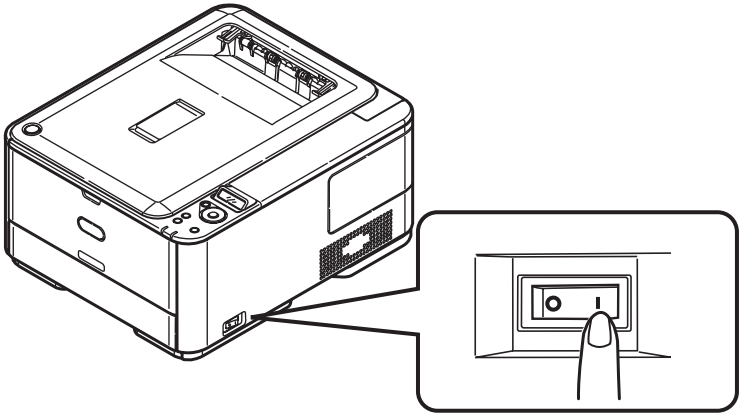


2. Wipe the housing with a soft cloth moistened sparingly with water or neutral detergent.



3. Use a soft, dry cloth to dry the housing.

4. Switch the power back on.

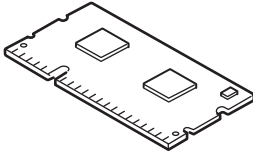


Available Options

See the installation instructions supplied with the options.

Additional Memory

Oki P/N **70061801** (256 MB), **70061901** (512 MB)



The basic printer comes equipped with the following main memory:

- Model C330: 128 MB
- Model C530: 256 MB.

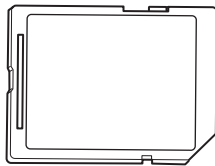
This can be upgraded with an additional memory board of 256 MB or 512 MB, giving a maximum total memory capacity of:

- Model C330: 640 MB.
- Model C530: 768 MB

Installation takes a few minutes, and requires no tools.

SD Card

Oki P/N **70061701**

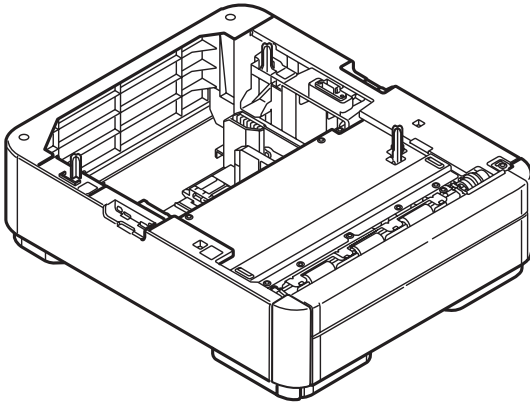


The optional SD card enables collating of printed pages and can be used to store overlays and macros, fonts, and secure or proof documents waiting to be printed.

Installation takes a few minutes, and requires no tools.

Additional Paper Tray

Oki P/N **44274501**



The paper tray holds 530 sheets of 20-lb. US Bond (75 g/m²) paper and require no tools to install.

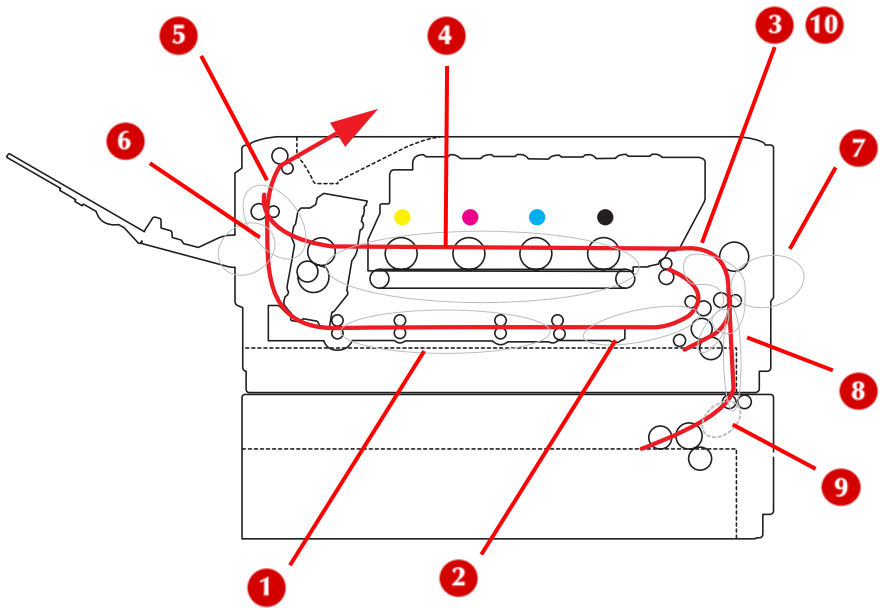
Troubleshooting

Provided that you follow the recommendations in this guide on the use of print media, and you keep the media in good condition prior to use, your printer should give years of reliable service. However, paper jams occasionally do occur, and this section explains how to clear them quickly and simply.

When a jam occurs, the printer immediately stops, and the Attention LED on the control panel blinks.

If printing multiple pages (or copies), do not assume that, having cleared an obvious sheet, others will not also be stopped somewhere along the path. These must also be removed in order to restore normal operation.

Paper Sensor Error Codes



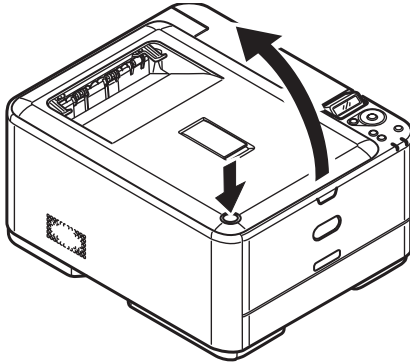
	Code #	Location		Code #	Location
1	371	Duplex Unit	6	383	Duplex Unit
2	372	Duplex Unit	7	390	MP Tray
3	380	Paper Feed	8	391	Paper Tray 1
4	381	Paper Path	9	392	2 nd Paper Tray *
5	382	Paper Exit	10	400	Paper Size

* If fitted.

Not shown above: Code 409, jam at face up stacker (rear exit).

Clearing Paper Jams

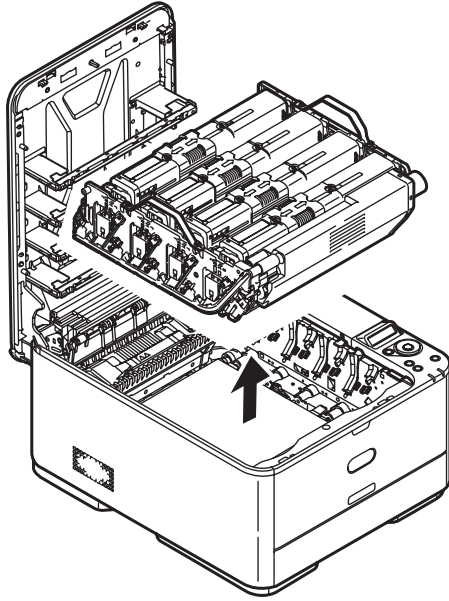
1. If a sheet is well advanced out of the top of the printer, simply grip it and pull gently to draw it fully out. If it does not remove easily, do not use excessive force. It can be removed from the rear later.
2. Press the cover release and open the printer's top cover fully.



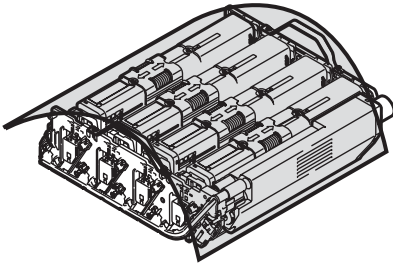
WARNING!

If the printer has been powered on, the fuser will be hot. This area is clearly labelled. Do not touch.

3. Holding it by its handles, lift the image drum, complete with its toner cartridges, up and out of the printer.



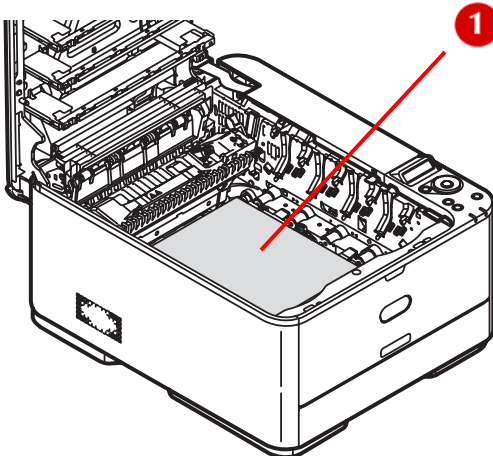
4. Put the assembly down gently onto a piece of paper to prevent toner from marking your furniture and to avoid damaging the green drum surface, and cover.



CAUTION!

The green image drum surface at the base of the Image Drum is very delicate and light sensitive. Do not touch it and do not expose it to normal room light for more than 5 minutes. If the drum unit needs to be out of the printer for longer than this, wrap the cartridge inside a black plastic bag to keep it away from light. Never expose the drum to direct sunlight or very bright room lighting.

5. Look into the printer to check whether any sheets of paper are visible on any part of the belt unit (1).

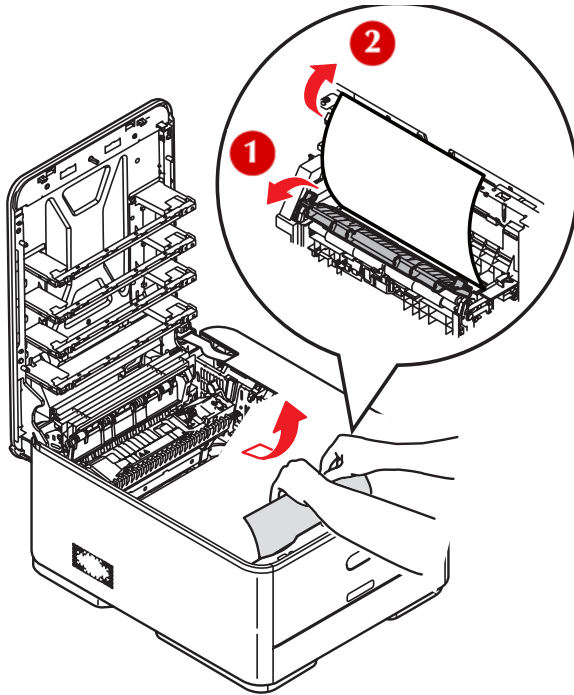


CAUTION!

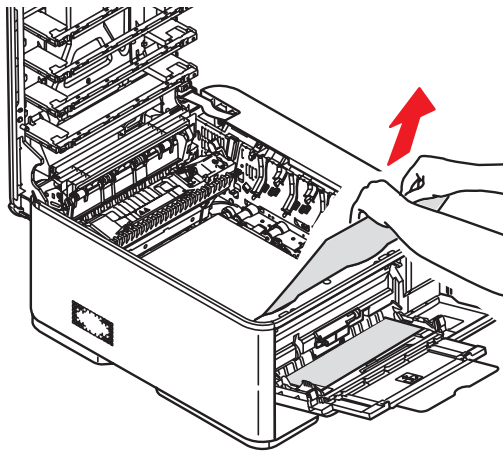
Do not use any sharp or abrasive objects to separate sheets from the belt. This may damage the belt surface.

- To remove a sheet with its leading edge at the front of the belt, lift the plastic guard at the front of the printer (1), then carefully lift the sheet (2) from the belt and pull it

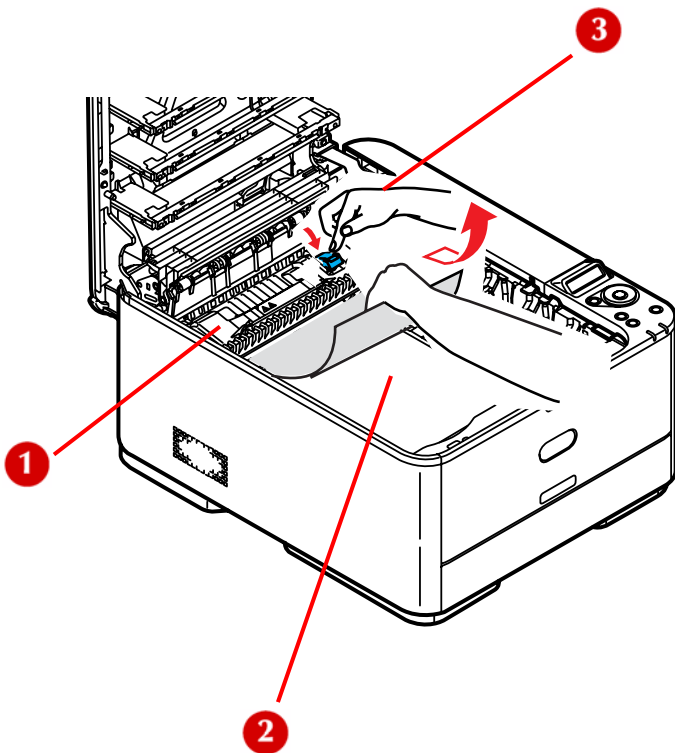
forwards into the internal drum cavity and withdraw the sheet.



- To remove a sheet from the central area of the belt, carefully separate the sheet from the belt surface and withdraw the sheet.



- To remove a sheet just entering the fuser (1), separate the trailing edge of the sheet from the belt (2), push the fuser pressure release lever (3) towards the front and down to release the fuser's grip on the sheet, and withdraw the sheet through the drum cavity area. Then allow the pressure release lever to rise again.

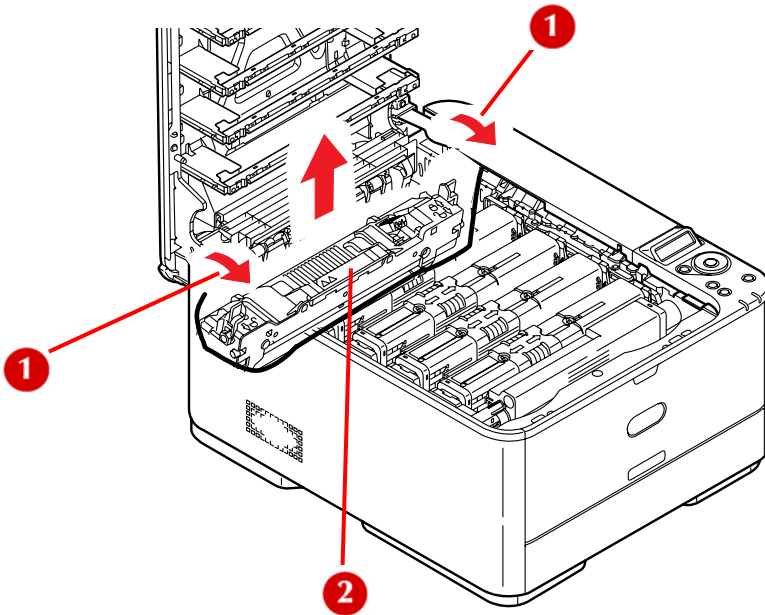


Note:

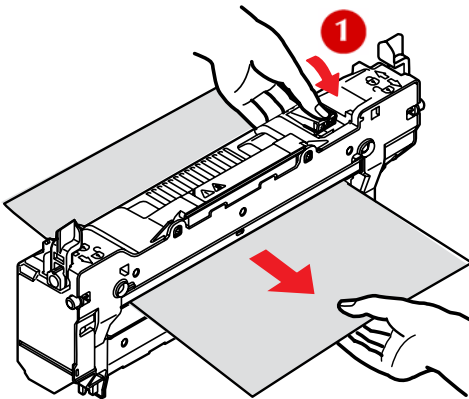
If the sheet is well advanced into the fuser (only a short length is still visible), do not attempt to pull it back.

- To remove a sheet in the fuser:

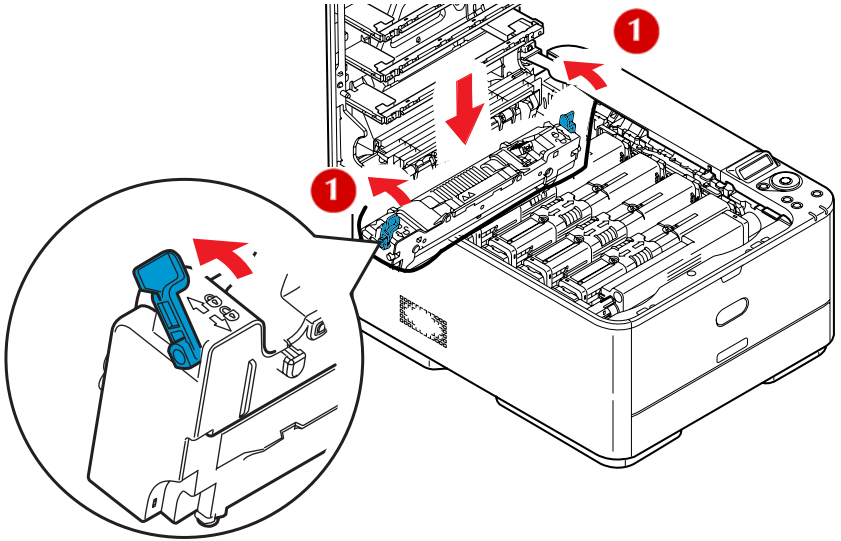
(a) Push the two retaining levers (1) towards the rear of the printer to release the fuser. Withdraw the fuser unit using the handle (2).



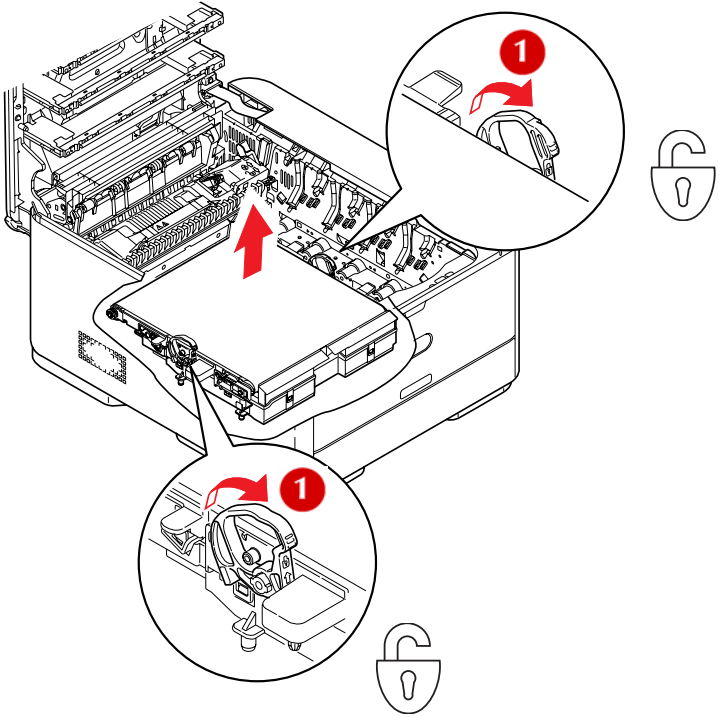
(b) Press release lever (1) and pull the trapped paper from the fuser.



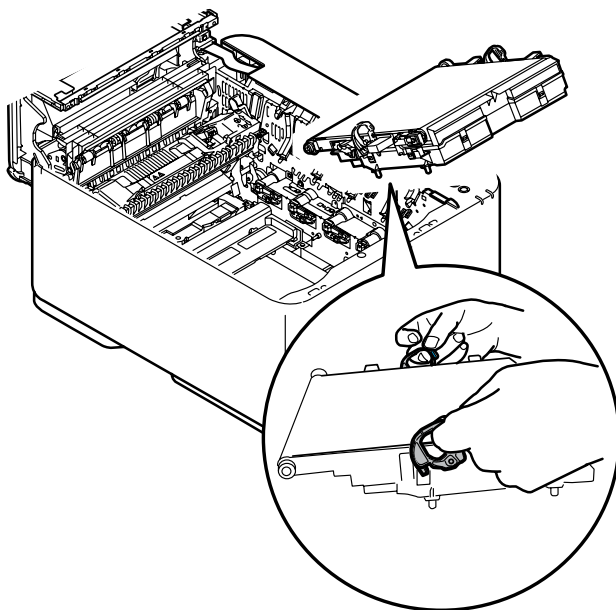
(c) Replace the fuser unit, and move the fuser locking levers (1) toward the rear of the printer.



- 6.** If you were duplex printing when the jam occurred, check for any jammed sheets in the duplexer:
- (a) Pull the transfer belt lock levers (1) up and toward the front of the printer.

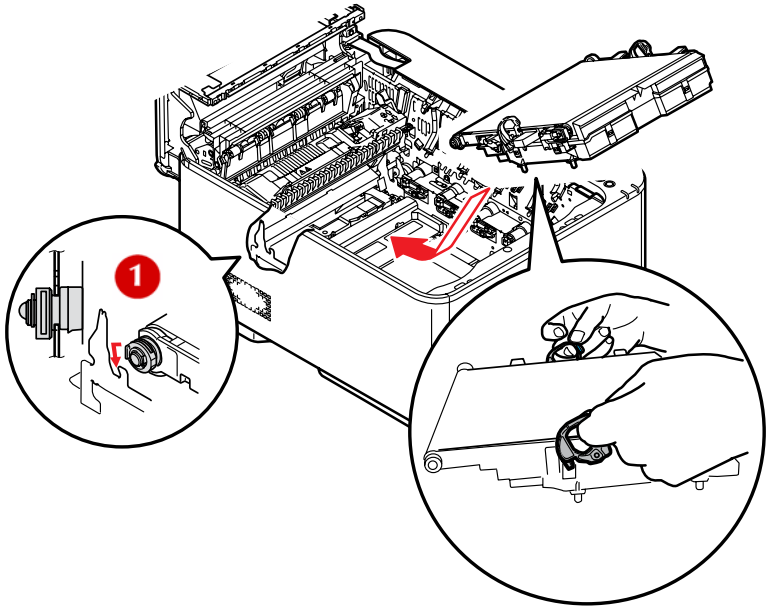


(b) Lift the transfer belt out of the printer.

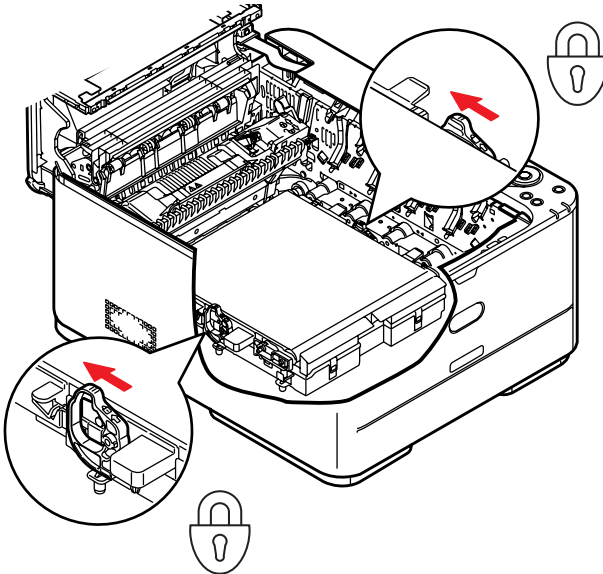


(c) Remove any sheets of paper.

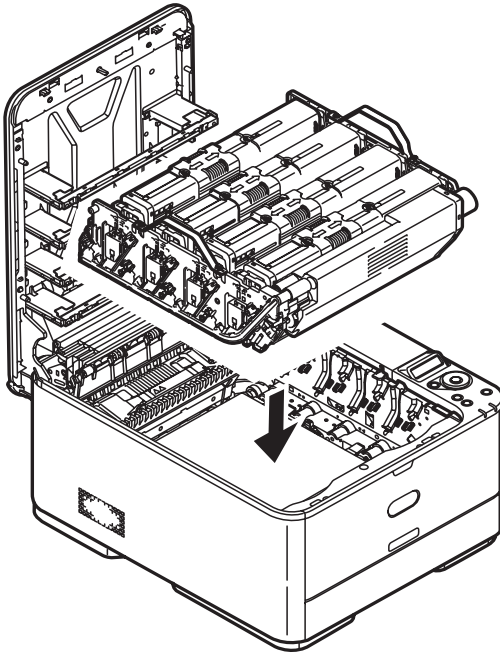
(d) Position the transfer belt drive gear (1) toward the left rear of the printer and lower the belt back into the printer.



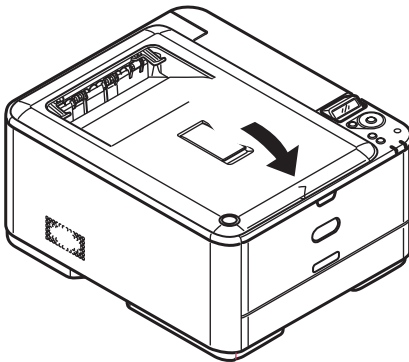
(e) Push the lock levers toward the back of the printer.



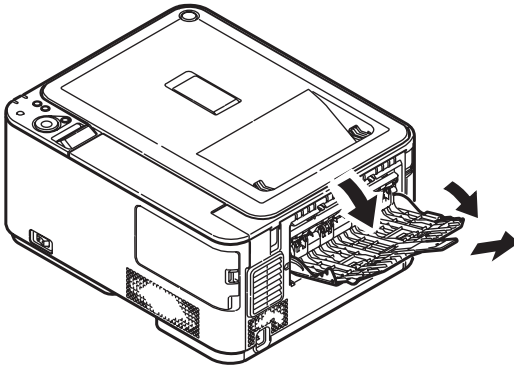
7. Align the pegs on the sides of the image drum with the slots in the sides of the printer and place the image drum and toner cartridges back into the printer.



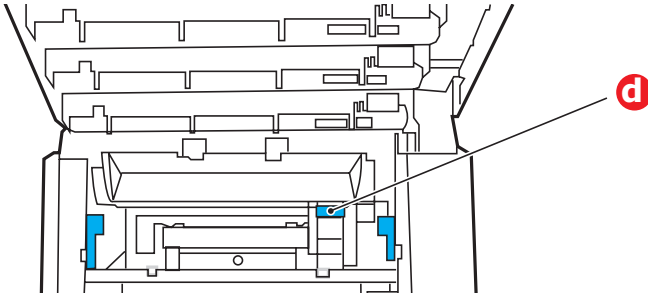
8. Lower the top cover but do not press down to latch it closed yet. This will protect the drums from excessive exposure to room lighting while you check the remaining areas for jammed sheets.



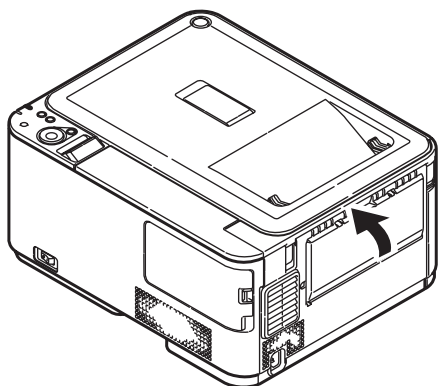
9. If it is not already open, open the rear exit tray.



- Pull out any sheets found in this area.
- If the sheet is low down in this area and difficult to remove, it is probably still gripped by the fuser. In this case raise the top cover, reach around and press down on the fuser pressure release lever (d).

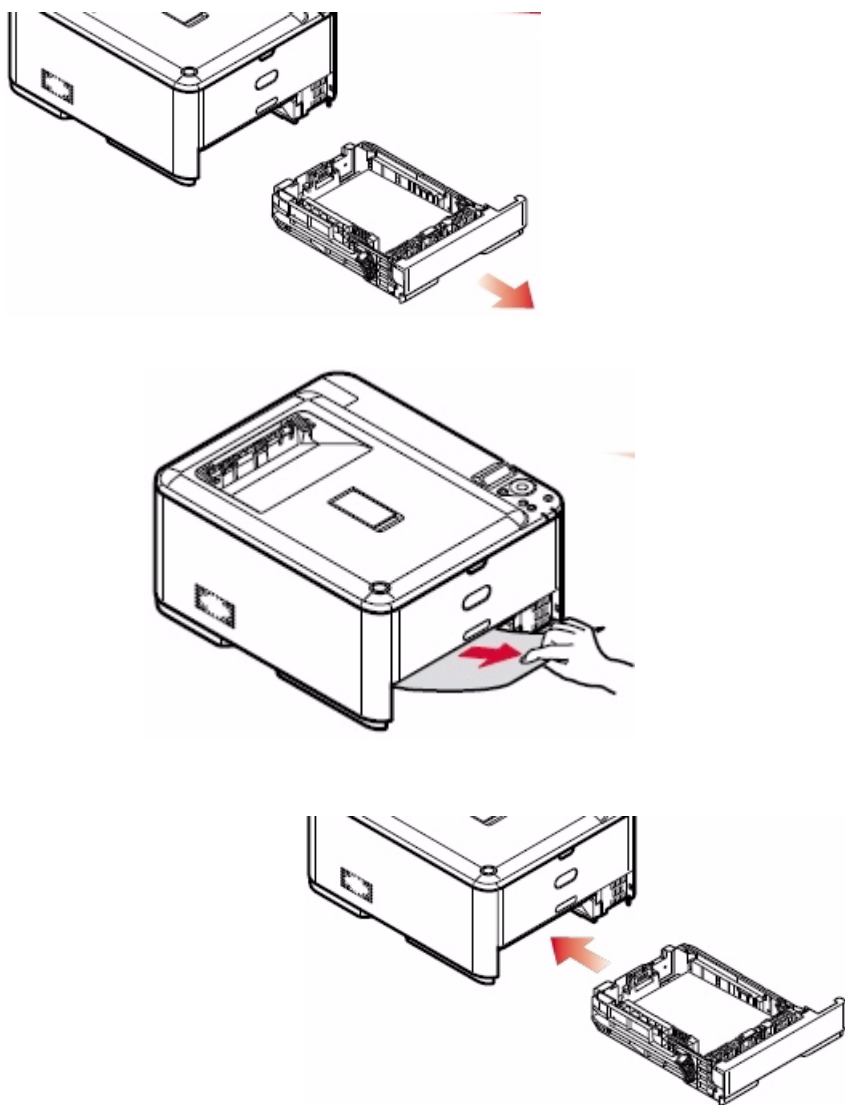


- 10.** If you are not using the rear exit tray, close it once any paper has been removed from this area.

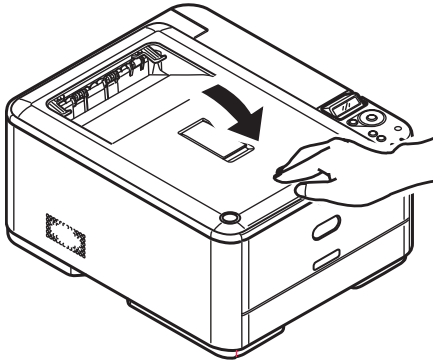


- 11.** Pull out the paper tray and remove any jammed paper. Ensure that all paper is stacked properly, is undamaged, and

that the paper guides are properly positioned against the edges of the paper stack. Replace the tray.



12. Finally, close the top cover and press down firmly so that the cover latches closed.



When the jam has been cleared, if Jam Recovery is set to ON in the Sys Config Menu, the printer will attempt to reprint any pages lost due to paper jams.

Troubleshooting Print Problems _____

Symptoms	Possible causes	Steps to take
Vertical white lines can be seen on the printed page.	The LED head is dirty.	Open the top cover and wipe the LED heads with a soft, lint-free cloth (see page 103).
	The toner is low.	Open the top cover and tap the cartridge a few times to evenly distribute any remaining toner. If symptoms persist, replace the toner cartridge (see page 78).
	Foreign materials may be present in the image drum.	Replace the image drum cartridge (see page 84).
	Light-shielding film of the image drum cartridge is dirty.	Open the top cover and wipe the LED heads with a soft, lint-free cloth (see page 103).
Printed images are fading vertically.	The LED head is dirty.	Open the top cover and wipe the LED heads with a soft, lint-free cloth (see page 103).
	The toner is low.	Open the top cover and tap the cartridge a few times to evenly distribute any remaining toner. If symptoms persist, replace the toner cartridge (see page 78).
	The paper is not suitable for the printer unit.	Use recommended paper (see page).

Symptoms	Possible causes	Steps to take
Printing is light.	The toner cartridge is not properly seated.	Reinstall the toner cartridge (see page 78).
	The toner is low.	Open the top cover and tap the cartridge a few times to evenly distribute any remaining toner. If symptoms persist, replace the toner cartridge (see page 78).
	The paper is moist.	Use paper stored in proper temperature and humidity conditions.
	The paper is not suitable for the printer unit.	Use recommended paper (see page 14).
	Thickness and type of paper are inappropriate.	Set the correct value of media type and media weight in the Media menu or set one value thicker for media weight (see page).
	Recycled paper is being used.	Set one value thicker for media weight in the Media menu.
Partially faded images. White spots and lines appear in solid printing.	Paper is moist or dry.	Use paper stored in proper temperature and humidity conditions.
Vertical lines appear.	The image drum cartridge is damaged.	Replace the image drum cartridge (see page 84).
	The toner is low.	Open the top cover and tap the cartridge a few times to evenly distribute any remaining toner. If symptoms persist, replace the toner cartridge (see page 78).

Symptoms	Possible causes	Steps to take
Horizontal Lines and spots appear periodically.	When the interval is about 4 inches (94 mm), the image drum (the green tube) is damaged or dirty.	Wipe it lightly with a soft cloth. Replace the image drum cartridge when it is damaged (see page 84).
	When the interval is about 1.2 in (30 mm), there may be foreign particles in the image drum cartridge.	Open/close the image drum cartridge (see page 84), and print again.
	When the interval is about 3.4 inches (86mm (86 mm), the fuser unit is damaged.	Replace the fuser unit (see page 99).
	The image drum cartridge has been exposed to light.	Replace the image drum cartridge if the problem is not resolved (see page 84)).
White area of paper is lightly stained.	Paper contains static.	Use paper stored in proper temperature and humidity conditions.
	Too thick paper is used.	Use thinner paper.
	The toner is low.	Open the top cover and tap the cartridge a few times to evenly distribute any remaining toner. If symptoms persist, replace the toner cartridge (see page 99).
Periphery of the letters is smudged.	The LED head is dirty.	Wipe the LED head with a soft, lint-free cloth (see page 103).
Toner comes off when it is rubbed.	The thickness and type of the paper are incorrectly set.	Set the correct value of media type and media weight in the Media menu or set one value lighter for media weight (see page 14).
	Recycled paper is used.	Set one value thicker for media weight in the Media menu (see page 14).

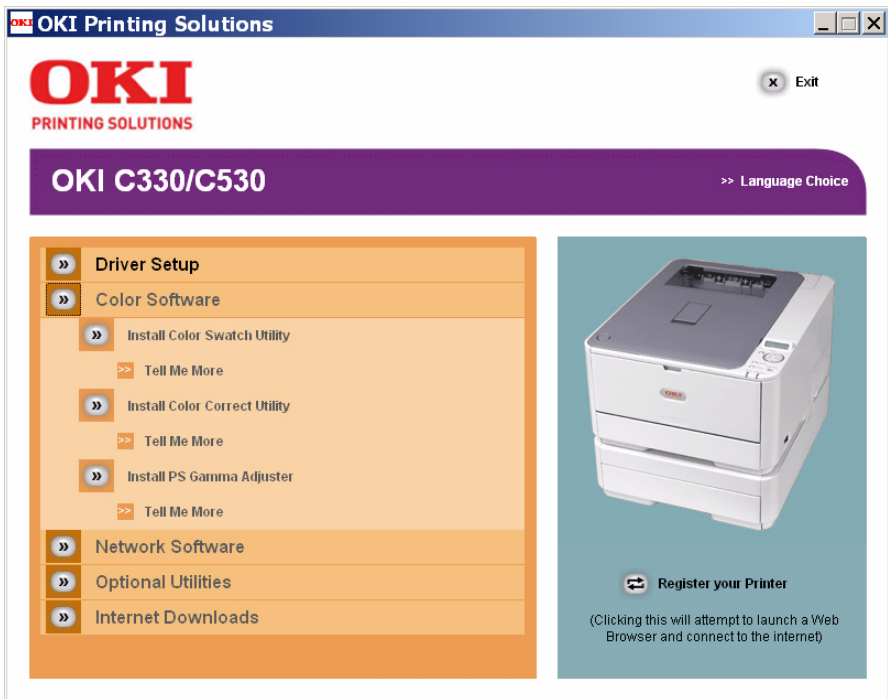
Symptoms	Possible causes	Steps to take
Glossiness is not uniform.	The thickness and type of the paper are incorrectly set.	Set the correct value of media type and media weight in the Media menu or set one value lighter for media weight.

Utilities

Utilities: Windows

To get to the utilities on the CD:

1. Insert the CD-ROM into the CD drive.
2. Select your language in the box at the top right, then click Next.
3. Click "I Agree" to accept the software license agreement.
4. Click the appropriate selection (see below) from the Menu screen.



Note

For more information on any of the utilities, click "Tell me more" on the CD screen.

Color Software Utilities

- **Color Swatch Utility**
Print a color swatch and use the indicated RGB values to set up the color(s) of your choice in your graphics/design software application.
- **Color Correct Utility**
Fine tune the printer's color settings (pallet color, gamma value/hue/saturation). These are saved in the printer driver for future use.
- **PS Gamma Adjuster**
Customize the CMYK data curves used with your printer PostScript driver. Once you have created the customized curve in the utility, you must save the curve (new PPD) and reconfigure your printer driver to use the new PPD.

Network Software Utilities

- **NIC Setup Utility**
Use to set up the printer network card.
- **Direct Network Printing Utility (LPR)**
For printing on an Ethernet network without the need for a print server.
- **Network Extension**
For use when your printer is connected over a TCP/IP network. Check the printer status and configuration from the Printer Properties tab in the printer driver.

Optional Utilities

- **Printer Display Language**
Use to change the language of the printer's display.
- **PDF Direct Print**
Print pdf files without first opening them in an application.
- **Configuration Tool**
Use to discover the printer and to set up the NIC card. Provides information including the IP address, Subnet Mask, Default Gateway Address and Mac Address of devices connected to the host computer. You can also use this utility to establish an ODNSP administrative password for the printer.

Internet Downloads

This selection takes you directly to the Oki Data web site for downloading any of the utilities listed below. Follow the on-screen instructions to download the utilities of your choice.

- **PrintSuperVIision (PSV)**
View the real-time status of printers, monitor and report printer usage, manage consumables, check on the status of printers in the same department, the same building, the same country or on the other side of the world.
- **Job Accounting**
Use to control printer access and to monitor consumables usage. Generate reports of how the printer has been used for color versus mono, etc.
- **Storage Device Manage**
Requires the hard disk drive, optional on some models. Download PCL macros, Postscript forms and bar codes to the printer hard disk drive for use in print jobs
- **Color Access Policy Manager (CAPM)**
CAPM determines how – or if – incoming jobs will print. Assign access levels by user name, PC/server name, application, file name and web sites. All policies are password protected.
- **Profile Assistant**
Model C530 only. Requires the optional SD Card. Store ICC profiles to the printer's SD card.

Utilities: Mac OS X

To get to the utilities on the CD:

1. Insert the CD-ROM that came with your printer into the CD/DVD drive.
2. Double click the icon that appears on the desktop. Click the MAC OS X folder.
3. Double click the utility you wish to install
 - **Color Correct Utility**
Helps adjust how RGB colors are printed: office palette tuning, hue/saturation/gamma tuning.
 - **Job Accounting Utility**
Use to control printer access and to monitor consumables

usage. Generate reports of how the printer has been used for color versus mono, etc.

- **Network Card Setup**

Use to set up the printer network card.

- **Operator Panel Language Setup**

Use to change the language of the printer's display.

- **Profile Assistant**

Model C530 only. Requires the optional SD Card. Store ICC profiles to the printer's SD card.

- **PS Gamma Adjuster**

Permits adjustment of each of the primary colors that the printer uses in Postscript mode.

Specifications

Specifications are subject to change without notice.

ITEM	SPECIFICATION
Dimensions	16.1" W x 19.8" D x 9.5" H (410 x 504 x 242 mm)
Weight	48.5 lbs. (22 kg) approx.
Power supply	110-127 V ac @ 50/60 Hz \pm 2% 220 to 240 V ac @ 50/60 Hz \pm 2%
Power consumption	Operating (77°F / 25°C): C330: 1170 W max.; 480 W average C530: 1170 W max.; 540 W average Stand-by: 90 W average (77 °F / 25 °C) Power saving: 14 W max. Sleep (Model C530 only): approx. 1 W (77 °F / 25 °C)
Operating environment	Operating: 50 to 89.6 °F (10 to 32 °C)/20 to 80% RH [optimum 77 °F (25 °C) wet, 35.6 °F (2 °C) dry] Off: 32 to 109.4°F (0 to 43 °C)/10 to 90% RH [optimum 80°F (26.8 °C) wet, 35.6°F (2 °C) dry]
Print environment	Color Printing: 62.6 to 80.6 °F (17 to 27 °C) @ 50 to 70% RH
Noise (Sound pressure level)	Operating: C330: less than 52 dB(A) C530: less than 54 dB(A) Standby: 37dB(A)