

## User's Manual

### Setup

This manual supports the following models.

**Pro8432WT**

- This manual contains cautions on how to use this product safely.  
Before you use this product, please make sure that you read this manual.

## ● About the Product Warranty

---

Every effort has been made to ensure that the information in this document is complete, accurate, and up-to-date. The manufacturer assumes no responsibility for the results of errors beyond its control. The manufacturer also cannot guarantee that changes in software and equipment made by other manufacturers and referred to in this guide will not affect the applicability of the information in it. Mention of software products manufactured by other companies does not necessarily constitute endorsement by the manufacturer.

While all reasonable efforts have been made to make this document as accurate and helpful as possible, we make no warranty of any kind, expressed or implied, as to the accuracy or completeness of the information contained herein.

All rights are reserved by Oki Electric Industry Co., Ltd. You must not copy, transfer, translate, etc. the content herein without authorization. You must obtain written permission from Oki Electric Industry Co., Ltd. before doing any of the above.

© 2017 Oki Electric Industry Co., Ltd.

OKI is a registered trademark of Oki Electric Industry Co., Ltd.

Energy Star is a trademark of the United States Environmental Protection Agency.

Microsoft, Windows, Windows Server and Windows Vista are registered trademarks of Microsoft Corporation.

Apple, Mac, OS X and macOS are registered trademarks of Apple Inc.

Other product names and brand names are registered trademarks or trademarks of their proprietors.



This product complies with the requirements of the Council Directives 2014/30/EU (EMC), 2014/35/EU (LVD), 2014/53/EU (RED), 2009/125/EC (ErP) and 2011/65/EU(RoHS), as amended where applicable, on the approximation of the laws of the member states relating to Electromagnetic Compatibility, Low Voltage, Radio & Telecommunications Terminal Equipment, Energy related Products and Restriction on the use of certain Hazardous Substances in electrical and electronic equipment.

The following cables were used to evaluate this product for EMC directive 2014/30/EU compliance, and configurations other than this may affect that compliance.

<b>cable type</b>	<b>length (meters)</b>	<b>core</b>	<b>shield</b>
Power	1.8	X	X
USB	5.0	X	✓
LAN	15.0	X	X



## ● Emergency first aid

---

Take care with toner powder:



**If swallowed, give small amounts of cold water and seek medical attention. DO NOT attempt to induce vomiting.**

**If inhaled, move the person to an open area for fresh air. Seek medical attention.**

**If it gets into the eyes, flush with large amounts of water for at least 15 minutes keeping eyelids open. Seek medical attention.**

**Spillages should be treated with cold water and soap to help reduce risk of staining skin or clothing.**

## ● Environmental information



---






















# ● For Your Safety

Read the User's Manual for your safety before using the product.

## Cautions related to safety

-  **WARNING** A warning provides additional information which, if ignored, may result in a risk of personal injury.
-  **CAUTION** A caution provides additional information which, if ignored, may result in equipment malfunction or damage.

## General cautions

 <b>WARNING</b>		
 Do not touch the safety switch inside the printer. Doing so may cause electric shock when high voltage occurs. In addition, the rotating gears may result in injury.	 Do not use highly flammable sprays near the printer. Doing so may cause fire as parts of the printer are hot.	 Unplug the power cord and contact a customer service center if the cover is unusually hot, smoking, giving off an unusual odor, or making strange noises. Failure to do so may lead to a fire.
 Unplug the power cord and contact a customer service center if a liquid such as water enters in the internal parts of the printer. Failure to do so may lead to a fire.	 Unplug the power cord and remove foreign materials such as paper clips if they fall inside the printer. Failure to do so may cause electric shock and/or fire, leading to injuries.	 Do not operate and/or disassemble the printer other than as directed in User's Manual. Doing so may cause electric shock and/or fire, leading to injuries.
 Unplug the power cord and contact a customer service center if the printer is dropped or the cover is damaged. Failure to do so may cause electric shock and/or fire, leading to injuries.	 Unplug the power cord periodically to clean plug blades and base section between the blades. If the power plug remains inserted for a long time, the base section will get dusty, and the plug may short circuit, which may cause fire.	 Do not clean spilled toner with a vacuum cleaner. If cleaning spilled toner with a vacuum cleaner, it may catch fire due to the sparks from electric contact. Toner spilled on the floor should be wiped off with wet cloth.
 Do not insert materials in a vent hole. Doing so may cause electric shock and/or fire leading to personal injuries.	 Do not put a cup with liquids such as water on the printer. Doing so may cause electric shock and/or fire leading to personal injuries.	 Do not touch the fuser and other parts when opening the cover of the printer. Doing so may cause burns.
 Do not throw toner cartridges and image drum cartridges into fire. Doing so may cause dust explosion leading to burns.	 Do not use a power cord, a cable, or a ground wire other than those that are indicated in User's Manual. Doing so may cause fire.	 The operation of using UPS (uninterruptible power source) or inverters is not guaranteed. Do not use uninterruptible power source or inverters. Doing so may cause fire.
 <b>CAUTION</b>		
 Do not come closer to the paper's exit area when the power is turned on, while printing. Doing so may result in personal injury.	 Do not touch a damaged liquid-crystal display. If liquid (liquid crystal) leaked from the liquid-crystal display gets into the eyes or mouth, flush with large amount of water. Follow the direction from a doctor if necessary.	

## ● Manual Composition

The following manuals are included with this product.

- Quick Guide  
This notes brief descriptions of how to install this printer.
- User's Manual (Setup) ---- This document  
Basic operations are described to aid understanding of this printer. The initial setup descriptions including printer placement and the network initial setting are noted along with troubleshooting and maintenance procedures.

## ● About This Manual

### Terms in this document

The following terms are used in this manual.



- Indicates important information on operations. Make sure to read sections with this mark.



- Indicates additional information on operations. You should read sections with this mark.



- Indicates where to look when you want to know more detailed or related information.

#### **WARNING**

- A warning provides additional information which, if ignored, may result in a risk of personal injury.

#### **CAUTION**

- A caution provides additional information which, if ignored, may result in equipment malfunction or damage.

### Symbols in this document

The following symbols are used in this manual.

Symbols	Description
[ ]	<ul style="list-style-type: none"><li>● Indicates menu names on the display screen.</li><li>● Indicates menu, window, and dialog names on the computer.</li></ul>
" "	<ul style="list-style-type: none"><li>● Indicates messages and input text on the display screen.</li><li>● Indicates file names on the computer.</li><li>● Indicates reference titles.</li></ul>
< > button/key	Indicates a hardware button on the operator panel or a key on the keyboard of the computer.
>	Indicates how to get to the item you want in the menu of this printer or the computer.
<i>Your Printer</i>	Indicates a printer you want to use or select.

## Notation used in this manual

The following notations may be used in this manual.

- PostScript3 Emulation→ PSE, POSTSCRIPT3 Emulation, POSTSCRIPT3 EMULATION
- Microsoft® Windows® 10 64-bit Edition operating system→ Windows 10 (64bit version) \*
- Microsoft® Windows® 8.1 64-bit Edition operating system→ Windows 8.1 (64bit version) \*
- Microsoft® Windows® 8 64-bit Edition operating system→ Windows 8 (64bit version) \*
- Microsoft® Windows® 7 64-bit Edition operating system→ Windows 7 (64bit version) \*
- Microsoft® Windows Vista® 64-bit Edition operating system→ Windows Vista (64bit version) \*
- Microsoft® Windows Server® 2016 64-bit Edition operating system→ Windows Server 2016 \*
- Microsoft® Windows Server® 2012 R2 64-bit Edition operating system→ Windows Server 2012 \*
- Microsoft® Windows Server® 2012 64-bit Edition operating system→ Windows Server 2012 \*
- Microsoft® Windows Server® 2008 R2 64-bit Edition operating system→ Windows Server 2008 \*
- Microsoft® Windows Server® 2008 64-bit Edition operating system→ Windows Server 2008 (64bit version) \*
- Microsoft® Windows® 10 operating system→ Windows 10 \*
- Microsoft® Windows® 8.1 operating system→ Windows 8.1 \*
- Microsoft® Windows® 8 operating system→ Windows 8 \*
- Microsoft® Windows® 7 operating system→ Windows 7 \*
- Microsoft® Windows Vista® operating system→ Windows Vista \*
- Microsoft® Windows Server® 2008 operating system→ Windows Server 2008 \*
- Generic name for Windows 10, Windows 8.1, Windows 8, Windows Server 2016, Windows Server 2012, Windows 7, Windows Vista, and Windows Server 2008→ Windows

\* If there is no special description, 64bit version is included in Windows 10, Windows 8.1, Windows 8, Windows 7, Windows Vista, and Windows Server 2008. (64bit version and Windows Server 2008 R2 is included in Windows Server 2008, Windows Server 2012 R2 is included in Windows Server 2012.)

If there is no special description, Windows 7 is used as Windows, OS X 10.11 is used as OS X, and Pro8432WT is used as the printer for examples in this document.

Depending on your OS, model or version, the description on this document may be different.

The diffusion of dust, ozone, styrene, benzene, TVOC, and ultrafine particles conforms to the Eco Mark 155, "Printer" substance emission certification criteria. (Toner was tested by performing black and white and color printing with OKI genuine toner cartridges according to the appendix S-M of the Blue Angel RAL UZ-171:2012 test method.)

# Contents

---

About the Product Warranty .....	2
Emergency first aid .....	3
Environmental information .....	3
For Your Safety .....	4
Manual Composition .....	5
About This Manual.....	5
<b>1. Setup .....</b>	<b>10</b>
Checking Products.....	11
Checking Package Contents.....	11
Operator Panel .....	12
How to Use the Numeric Keypad .....	12
How to Use the Function Key .....	13
Names of Components.....	13
Available Options .....	15
Checking the Placement Environment .....	16
Placement Environment .....	16
Placement Space .....	16
Preparing Your Printer.....	17
Unpacking .....	17
Installing Consumables.....	17
Loading Paper .....	19
Turning On/Off the Power.....	21
Installing Options.....	23
Test Printing from the Printer.....	29
Connecting to a Computer.....	30
Network Connection .....	31
USB Connection.....	41
When Adding Options .....	44

<b>2. Printing Basic Operation .....</b>	<b>45</b>
Supported Paper .....	45
How to Print from the Tray .....	48
How to Print from the MP Tray .....	49
Printing in Custom Sizes .....	52
Paper Output.....	55
Convenient Print Functions .....	56
Canceling Printing .....	57
Setting the Time that Elapses Before Entering the Power Save Mode .....	58
Setting the Time that Elapses Before Entering the Deep Sleep Mode .....	59
Constraints When in Deep Sleep Mode .....	60
Settings for Turning Power Off Automatically (Auto Power Off) .....	62
Setting the Auto Power Off.....	62
Setting the Time that Elapses Before Entering the Auto Power Off Mode .....	63
Setting the Buzzer .....	64
<b>3. Troubleshooting.....</b>	<b>65</b>
When an Error Message Appears on the Display Screen (When the ATTENTION Indicator Lights Up/Blinks) .....	65
When Paper Jams Occurs/When an Error Message does not Disappear Even After Jammed Paper is Removed.....	66
When the Message for Replacement of Consumables or Maintenance Unit Appears .....	74
When the Message for Paper Replacement or Paper Size Error Appears .....	77
Other Error Messages .....	78
When You Cannot Print from the MP Tray.....	82
Other Issues .....	83
Unable to Print from a Computer.....	83
Unable to Install a Printer Driver Successfully .....	85
OS-Specific Constraints .....	86
Image Quality Issues .....	87
Feeding Issues .....	90
Machine Issues.....	91

---

<b>4. Maintenance .....</b>	<b>93</b>
Replacing Consumables and Maintenance Units .....	93
Replacing Toner Cartridges .....	94
Replacing the Image Drum.....	98
Replacing the Belt Unit .....	101
Replacing the Fuser Unit .....	104
Cleaning .....	106
Cleaning the Surface of the Printer.....	106
Cleaning Paper Feed Rollers.....	106
Cleaning LED Heads .....	108
Moving or Transporting Your Printer .....	110
Before Machine Disposal .....	112
<b>5. Appendix .....</b>	<b>113</b>
Menu List of the Operator Panel .....	113
Checking the Printer's Status with the Display Screen .....	113
Menu List of the Operator Panel .....	114
Specifications .....	119
<b>Index .....</b>	<b>125</b>
<b>Contact Us .....</b>	<b>126</b>

# 1. Setup

How to set up is explained in this chapter.

## ■ Setup Flow

### 1. Checking Products

- Checking package contents
- Checking names of the operator panel and how to operate
- Checking names of product parts
- Checking options



### 2. Checking the Placement Environment

- Checking the placement environment
- Checking placement location

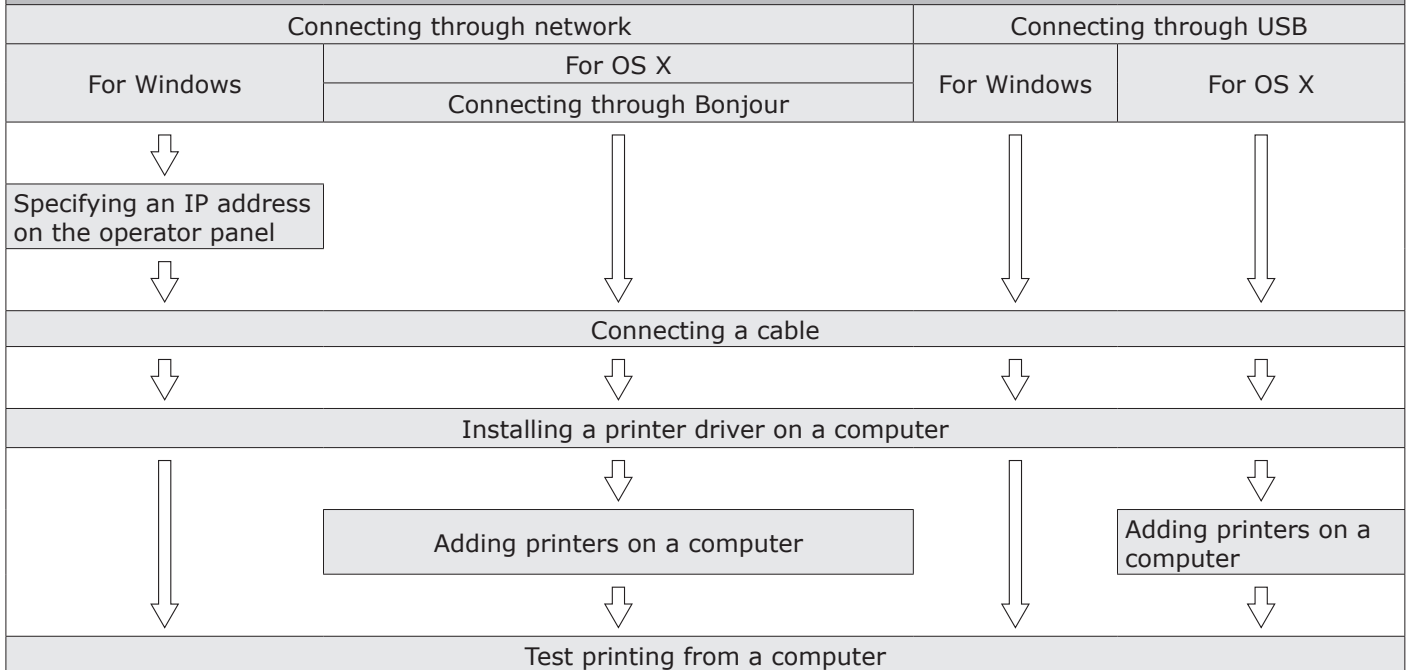


### 3. Preparing a Printer

- Unpacking
- Removing cushioning materials
- Installing consumables
- Loading paper
- Turning on/off the power
- Installing options
- Test printing from the printer



### 4. Connecting to a Computer





# ● Checking Products

This section gives an overview of the printer.

## Checking Package Contents

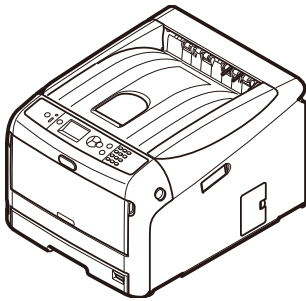
Check that you have everything shown below.

⚠ <b>CAUTION</b>	<b>It may cause injury!</b>	⚠
<ul style="list-style-type: none"> <li>At least two people are needed to lift the printer safely because it weighs about 37 Kg.</li> </ul>		

**Reference**

- For details on how to open the package, refer to "Unpacking" P.17.

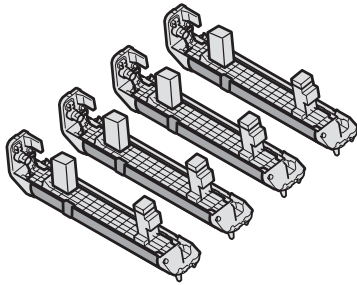
- Printer



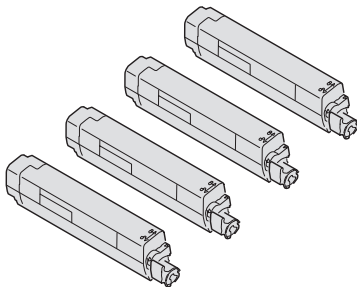
- Four image drums (cyan, yellow, magenta, white)

**Note**

- The image drums are installed in the machine before shipment.



- Four starter toner cartridges (cyan, yellow, magenta, white)



- Quick Guide

- Software DVD-ROM



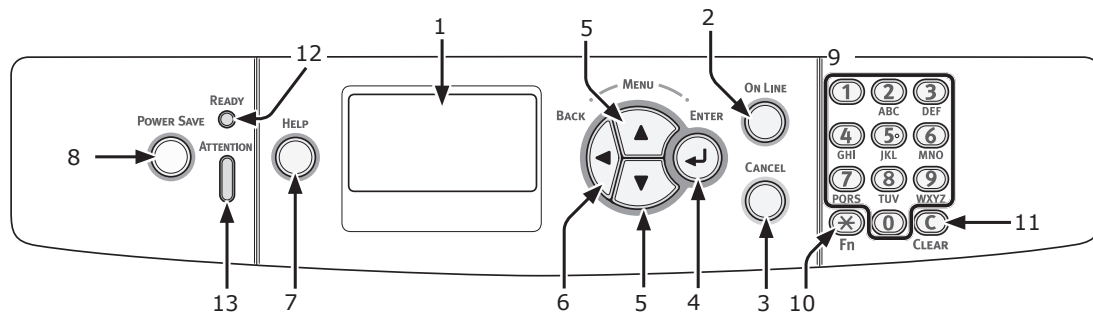
- AC cord

**Note**

- An Ethernet cable and USB cable are not supplied with your printer. Procure them separately.
- Packaging and cushioning material are needed if transporting the printer. Do not throw them away.

# • Operator Panel

This section explains the names and functions of components on the operator panel and how to enter text.



No.	Name	Function
1	Display screen	Displays operating instructions and the status of the printer.
2	<ON LINE> button	Switches between on line and off line modes.
3	<CANCEL> button	Cancels the current print immediately.
4	<ENTER> button	<ul style="list-style-type: none"> <li>Displays the menu screen.</li> <li>Confirms the highlighted item.</li> </ul>
5	<SCROLL> button	Selects the menu or scrolls the screen.
6	<BACK> button	Returns to the previous screen.
7	<HELP> button	Displays the help screen. To close, press the <HELP> button, <BACK> button, or <CANCEL> button.
8	<POWER SAVE> button	<ul style="list-style-type: none"> <li>Enters or exits the power saving mode.</li> <li>Exits the deep sleep mode.</li> </ul> Lights up green in the power save mode and blinks green in the deep sleep mode.
9	Numeric Keypad	<ul style="list-style-type: none"> <li>Enters numbers.</li> <li>Enters alphabetical characters and symbols.</li> </ul> A password can be entered only with numeric keypad.
10	<Fn> key	Displays the equipment setting menu screen with a shortcut function.
11	<CLEAR> key	Executes the following actions according to the entered items when pressed or held down. <ul style="list-style-type: none"> <li>Minimizes a setting value.</li> <li>Enters zero for a setting value.</li> <li>Deletes a character.</li> <li>Cancels a selected item.</li> </ul> Returns to the previous settings. Not available when entering an IP address.
12	<READY> indicator	Lights up green in on line mode and turns off in off line mode.
13	<ATTENTION> indicator	Lights up or blinks orange when an error occurs in the device.

## How to Use the Numeric Keypad

Use to enter numbers and characters.

Each time a numeric key is pressed, entered numbers or characters are changed cyclically in the following order:

- <1>: 1
- <2>: 2 → a → b → c → A → B → C → 2
- <3>: 3 → d → e → f → D → E → F → 3
- <4>: 4 → g → h → i → G → H → I → 4
- <5>: 5 → j → k → l → J → K → L → 5
- <6>: 6 → m → n → o → M → N → O → 6
- <7>: 7 → p → q → r → s → P → Q → R → S → 7

<8>: 8 → t → u → v → T → U → V → 8

<9>: 9 → w → x → y → z → W → X → Y → Z → 9

<0>: 0

The functions of <\*> and <C> keys are the followings:

<\*>: Function key (Available only when the standby screen is displayed.)

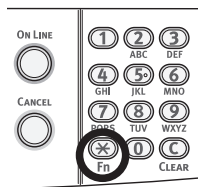
<C>: Deletes a character when entering a password.

To enter "abc" for example, press <2> → <2> → <ENTER> button → <2> → <2> → <2> → <ENTER> button → <2> → <2> → <2> → <ENTER> button.

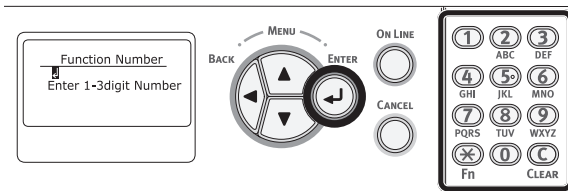
## How to Use the Function Key

Press numeric keys after pressing the <Fn> key when the message "Ready To Print" appears on the display screen. The function menu corresponding to the number entered is displayed.

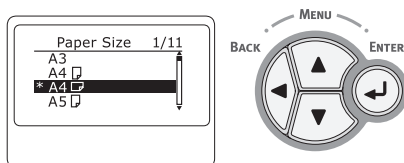
- 1 Press the <Fn> key.



- 2 Press the numeric keys (0-9) to display the desired function item and press the <ENTER> button.



- 3 The setting screen of the selected function is displayed. Check or change the settings.

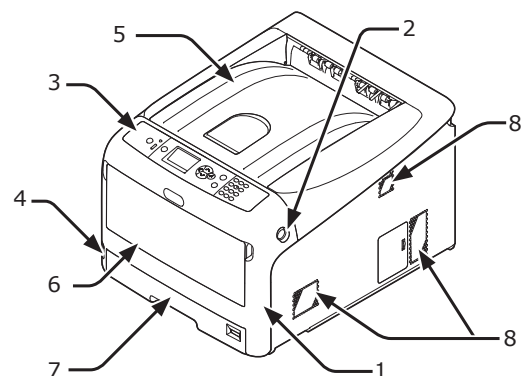


## Function Menu List

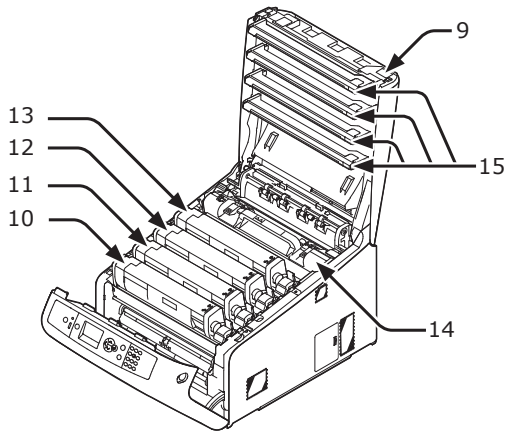
Function No.	Function menu
1	Shared Print
2	Private Print
10	Paper Size (Tray 1)
11	X Dimension (Tray 1)
12	Y Dimension (Tray 1)
13	Media Type (Tray 1)
14	Media Weight (Tray 1)
80	Paper Feed
90	Paper Size (MP Tray)
91	X Dimension (MP Tray)
92	Y Dimension (MP Tray)
93	Media Type (MP Tray)
94	Media Weight (MP Tray)
95	Tray Usage (MP Tray)
100	Configuration

Function No.	Function menu
101	Network
103	Error Log
200	Power Save Time
201	Sleep Time
202	Auto Power Off Time
210	Error Report
220	Print Position Adjust (MPTray)
221	Print Position Adjust (Tray 1)
231	Paper Color Setting
233	Trans. Color Setting
234	SMR Setting
235	BG Setting
236	Drum Cleaning
237	Hex Dump
300	Adjust Density
301	Adjust Registration
302	Print Color Tuning Pattern
310	Cyan Density
311	Magenta Density
312	Yellow Density
313	White Density

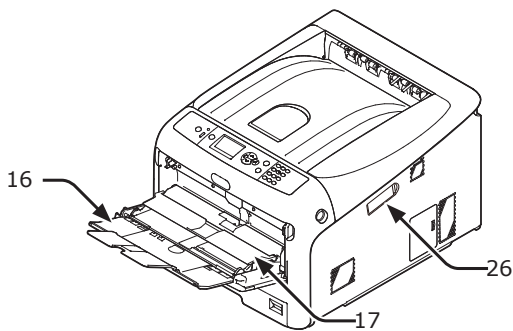
## Names of Components



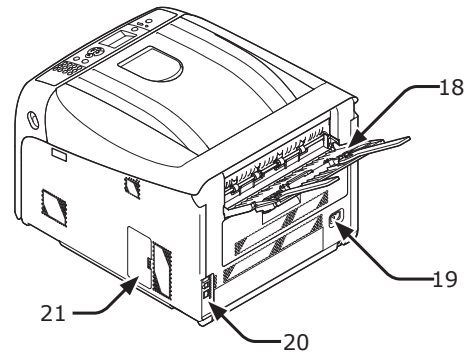
No.	Name
1	Front cover
2	Front cover open lever
3	Operator panel
4	Power switch
5	Output tray
6	Multipurpose tray
7	Tray 1
8	Air vents



No.	Name
9	Output tray open button
10	Toner cartridge Image drum (C: cyan)
11	Toner cartridge Image drum (Y: yellow)
12	Toner cartridge Image drum (M: magenta)
13	Toner cartridge Image drum (W: white)
14	Fuser unit
15	LED head (four heads)

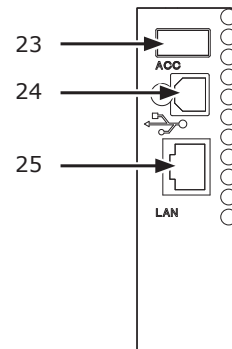


No.	Name
16	Multipurpose tray
17	Paper set cover
26	Wireless LAN module cover



No.	Name
18	Rear output tray
19	AC power socket
20	Interface part
21	Access cover

• Interface part



No.	Name
23	Accessory connector
24	USB interface connection
25	Network interface connection

## Available Options

The following options are available for your printer:

- Additional RAM (256 MB or 512 MB)
- 16 GB SD memory card kit
- Wireless LAN module

### Reference

- For details on how to install the options, refer to ["Installing Options" P.23](#).

# • Checking the Placement Environment

## Placement Environment

Your printer must be placed in the following environment:

Temperature:	10 - 32°C
Humidity:	20% - 80% RH (relative humidity)
Maximum wet bulb temperature:	25°C
Recommended environment:	17 - 27°C, 50 - 70 % RH

**! Note**

- Be careful of condensation. It may cause a malfunction.
- If placing your printer in a location where the humidity of the surrounding air is less than 30% RH, use a humidifier or antistatic mat.

**! WARNING**

- Do not install near high temperature or the fire.
- Please do not install in a place from which a chemical reaction is started (laboratory etc.).
- Do not install near the inflammable solution, such as alcohol and thinner.
- Do not install in the place which the small child's hand reaches.
- Do not install in an unstable place (the shaky stand, leaning place, etc.).
- Do not install in a place many humidity, dusty and the place where direct rays hit.
- Do not install in the environment of briny air and corrosive gas.
- Do not install in a place with much vibration.
- Do not install in a place where the ventilation hole of the printer is closed.

**! CAUTION**

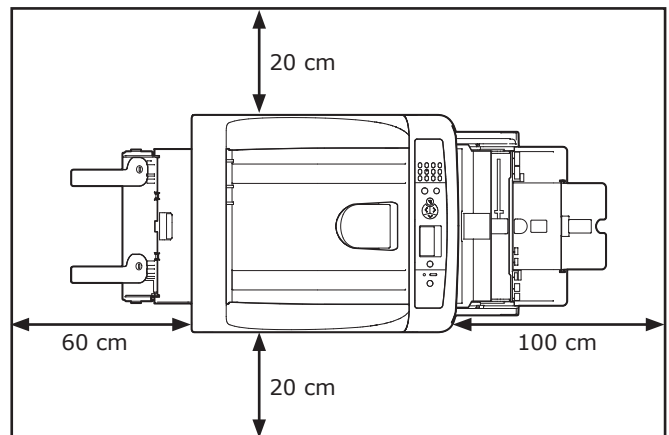
- Do not place directly on a rug or carpet with long strands.
- Do not install in a closed room with poor ventilation and circulation.
- If you use the printer in a small room for a long time, please make sure that you ventilate the room.
- Install away from strong magnetic fields and sources of noise.
- Install away from monitors or TVs.

## Placement Space

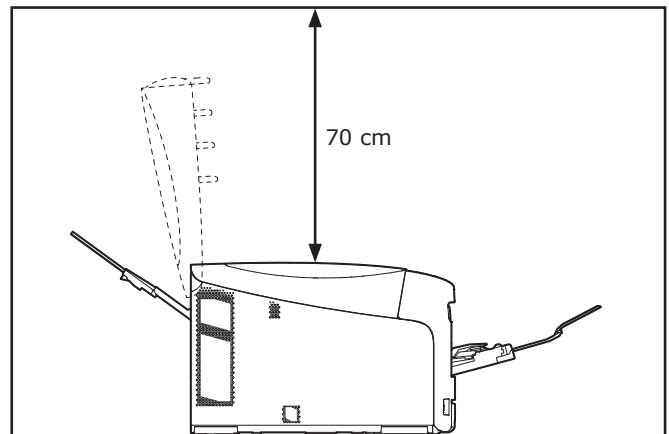
Place your printer on a flat surface that is wide enough that the printer's feet securely on the surface.

Allow for enough room around your printer as shown in the images below.

• Top view





• Side view



# ● Preparing Your Printer

This section explains how to unpack your printer and how to turn it on and off.

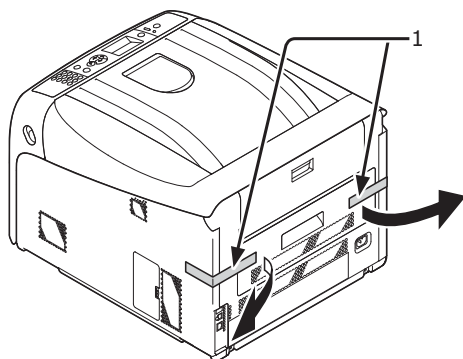
## Unpacking

	<b>CAUTION</b>	
<b>It may cause injury!</b>		
<ul style="list-style-type: none"> <li>At least two people are needed to lift the printer safely because it weighs about 37 Kg.</li> </ul>		

**Note**

- Be sure to use the consumables or maintenance units provided with this printer at first. Otherwise, the life of the consumables or maintenance units may not be displayed correctly, or you may not be able to use them later.
- The image drum (the green tube) is very delicate. Handle it carefully.
- Do not expose the image drum to direct sunlight or very bright interior light (approximately more than 1500 lux). Even under the normal interior light, do not leave it for more than 5 minutes.
- Packaging and cushioning material are needed if transporting the printer. Do not throw them away.

- Remove your printer from the box and remove all cushioning materials and the plastic bag from your printer.
- Remove the two strips of protective tape (1) at the back of your printer.

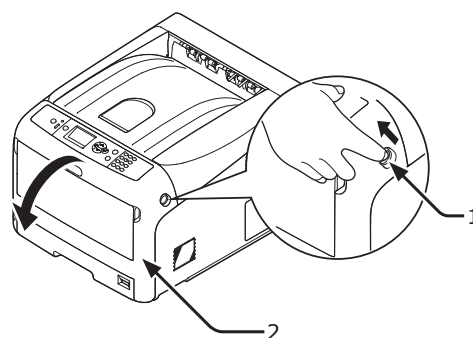


## Installing Consumables

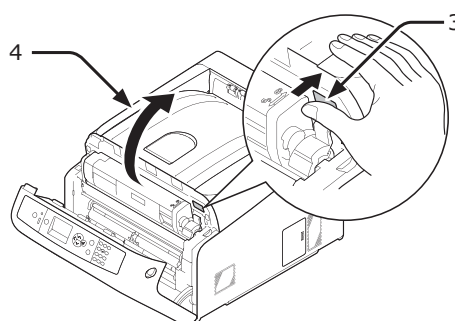
- Insert your finger into the recess on the right side of the printer and pull the front cover open lever (1) to open the front cover (2) forward.

**Note**

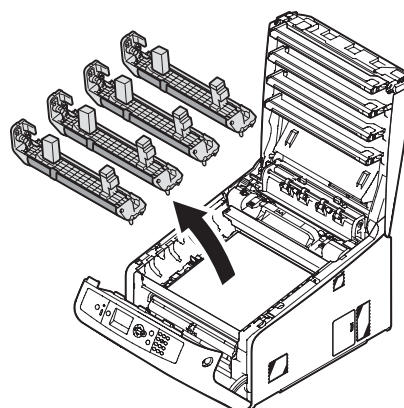
- Open the front cover gently. If opening rapidly, an MP tray may open.



- Press the output tray open button (3) and open the output tray (4).

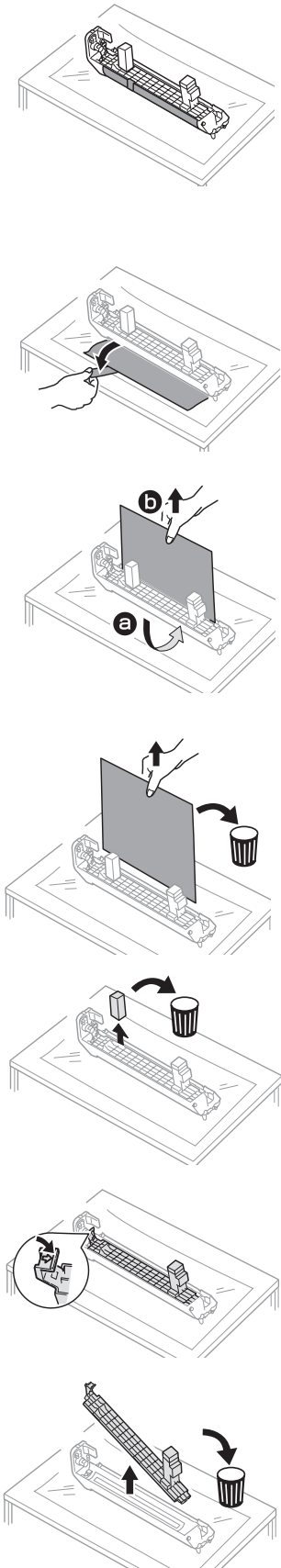


- Take out all four image drums from the printer.

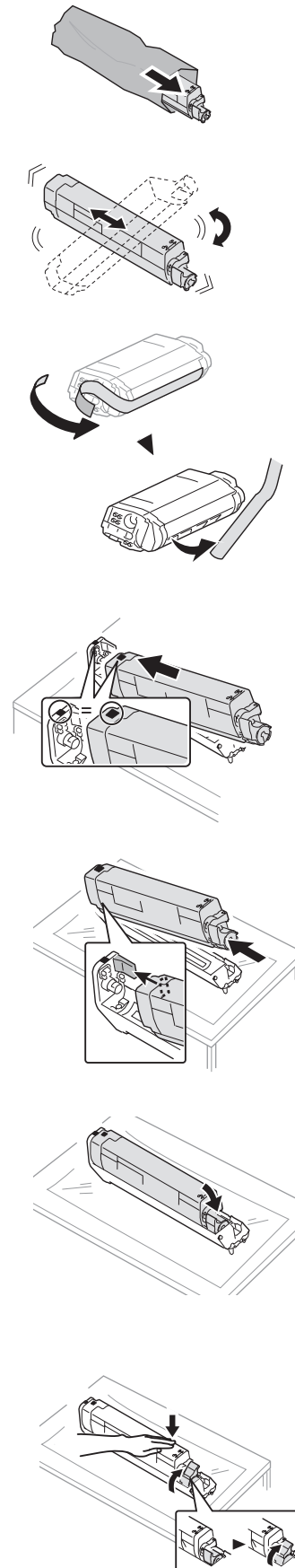


4 Remove the protective sheets and toner covers from four image drums.

x4 (C/Y/M/W)

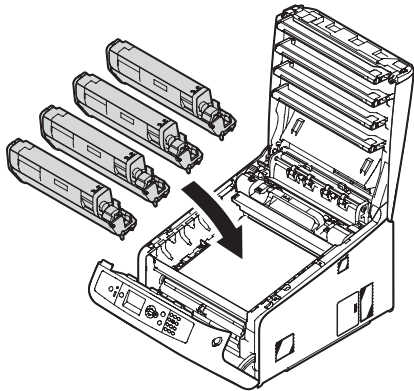


5 Confirm that the image drum and the toner cartridge are of the same color, and then attach the toner cartridge to the image drum.

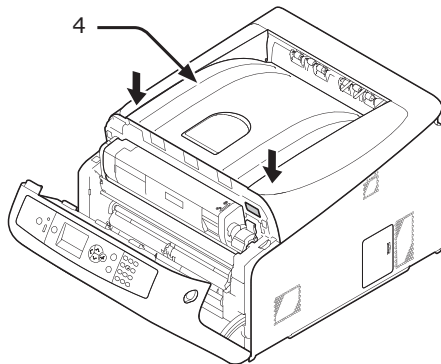




**6** Put all four image drums back into a printer.



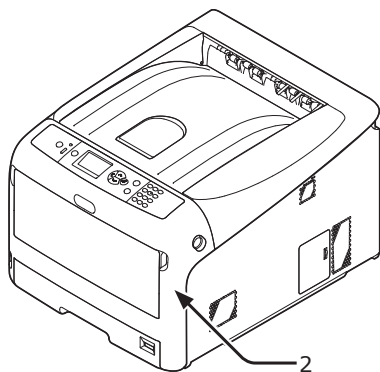
**7** Close the output tray (4) by pushing the both sides of the cover firmly.



**8** Close the front cover (2).

**! Note**

- The front cover cannot be closed securely if the output tray is not closed.
- When the error message that the top or front cover is open does not disappear from the operator panel's display screen, make sure they are closed securely.

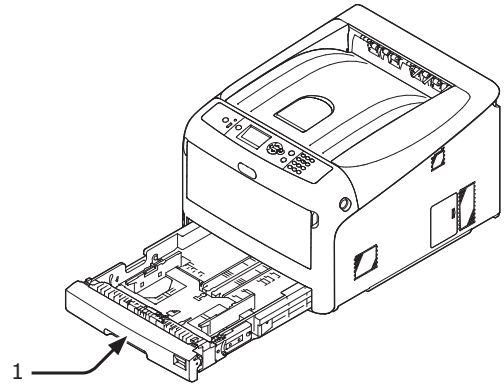


## Loading Paper

**Reference**

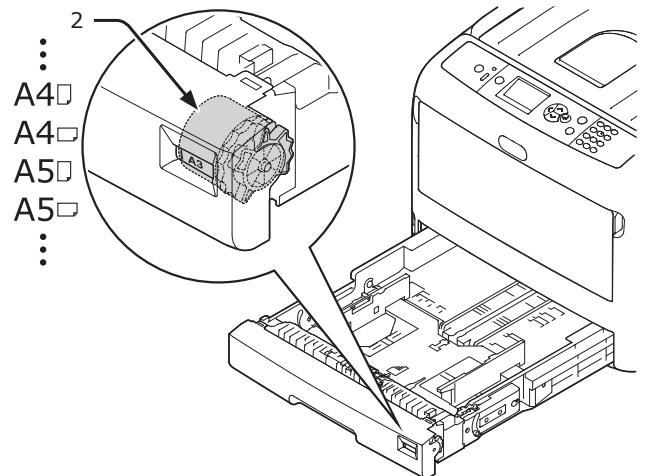
- Please refer to "Supported Paper" P.45 for information on how to load paper into the printer.

**1** Pull out the paper tray (1).

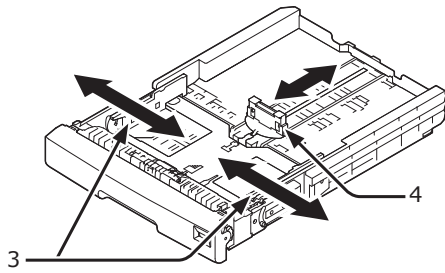


**2** Set the paper size dial (2) to match the loading paper size.

Set the dial to [A4 □] when loading the A4 size paper with a landscape orientation.

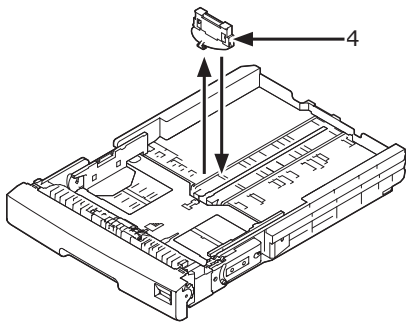


- 3 Slide the paper guide (3) and paper stopper (4) to the size of paper to be loaded.

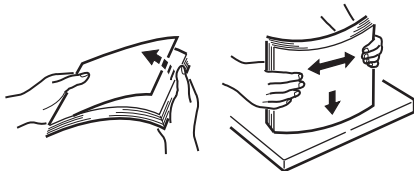


**Note**

- When loading the A6 size paper, move the paper stopper (4) forward and remove it once, then install it on the metal part.



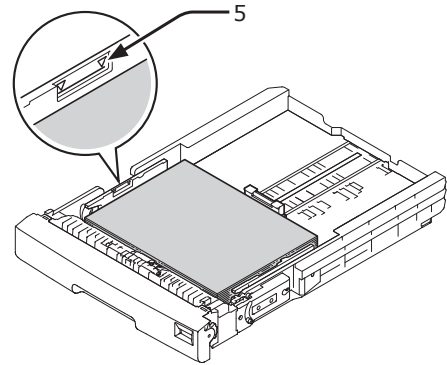
- 4 Flex paper back and forth, and then fan it. Straighten the edges of the paper stack on a level surface.



- 5 Load paper with the print side face down and press it from above.

**Note**

- Do not load paper exceeding the [▼] mark (5) of the paper guide.



- 6 Secure the loaded paper with the paper guide.
- 7 Check if a size of loaded paper matches the setting of paper size dial.
- 8 Return the paper tray to the printer.

**Memo**

- If loading a paper that you cannot select the size with a paper size dial options, set the dial to [**Other**], and then set a paper size on the operator panel.

## Turning On/Off the Power



### Power Supply Conditions

The power supply must meet the following conditions:

- Voltage: 110 - 127 VAC (Range 99 - 140 VAC)  
 220 - 240 VAC (Range 198 - 264 VAC)
- Frequency: 50/60 Hz ± 2%

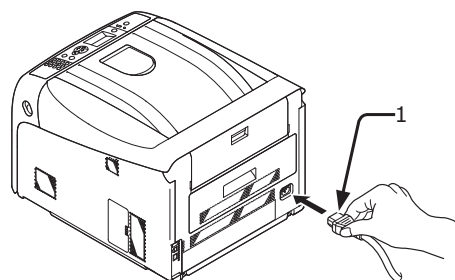
**Note**

- If the power supply is unstable, use a voltage regulator.
- The maximum power consumption of this printer is 1400 W. Ensure that the power supply is sufficient to operate this printer.
- We do not guarantee operation where an uninterruptible power system (UPS) or inverter is used. Do not use an uninterruptible power system (UPS) or inverter.

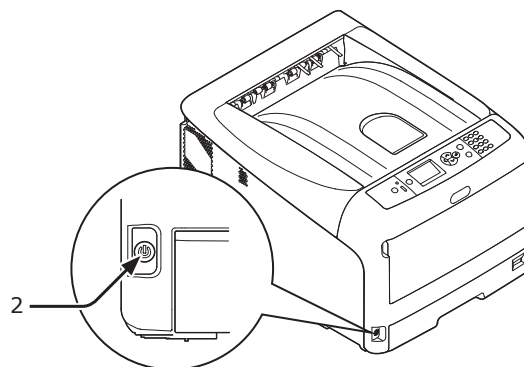
 <b>WARNING</b>	<b>There is a risk of getting an electric shock and/or causing fire.</b>	
<ul style="list-style-type: none"> <li>• Be sure to turn off the power supply switch when attaching or removing the AC cable and earth wire.</li> <li>• Be sure to connect an earth wire to the grounding terminal of exclusive use.</li> <li>• Please do not connect with the ground of a water pipe, a gas pipe, and a telephone wire, and a lightning rod by any means.</li> <li>• Make sure to connect with the ground terminal before connecting the power cord to the power supply plug.</li> <li>• Be sure to plug in and unplug the AC cable while holding on to the power supply plug.</li> <li>• Insert the AC cable plug completely into the wall socket securely.</li> <li>• Do not touch the power cord, or printer, if your hands are wet.</li> <li>• Install a power cord in the place which is not stepped on, and do not place a thing on a power cord.</li> <li>• Do not use the cord tied in a bundle.</li> <li>• Please do not use the damaged power cord.</li> <li>• Do not use multi-outlet adapters.</li> <li>• Do not connect this printer and other electric products to the same wall socket. If it connects simultaneously with an air conditioner, copier, shredder, etc. Especially, a printer may incorrect-operate by the electric noise. When you connect with the same wall socket unavoidably, please use a commercial noise filter or a commercial noise cut transformer.</li> <li>• Use the attached power cord and insert it directory with the ground terminal. Do not use the power cord for other product for the printer.</li> <li>• Do not use an extension cord. When you use it unavoidably, use the thing more than rated 15 A.</li> <li>• Use of an extended code may not operate a printer normally by AC voltage descent.</li> <li>• During printing, do not shut off a power supply or do not pull out a power supply plug.</li> <li>• When you use it neither for consecutive holidays nor a travel for a long time, pull out a power cord.</li> <li>• Do not use attached power cord to the other products.</li> </ul>		

## Turning On the Power

- 1 Plug the AC cord (1) into the AC power socket of your printer.



- 2 Plug the AC cord into the electric socket.
- 3 Hold down the power switch (2) for about 1 second to turn on the power.



The Power switch LED indicator lights up when the printer turns on.

The message **"Ready To Print"** is displayed in the operator panel once printer is ready.

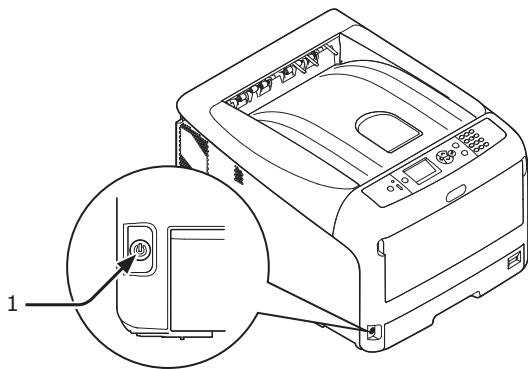
## Turning Off the Power

- 1 Hold down the power switch (1) for about a second.

The message **"Shutting down Please wait. Printer will turn off automatically"** appears in the operator panel, and the power switch indicator blinks every 1 second. Then the printer turns off automatically and the power switch indicator goes out.

**Note**

- It may take about 5 minutes to turn off the power. Wait until it turns off.
- Holding down the power switch for more than 5 seconds turns off printer forcibly. Only perform this procedure when a problem occurs. For printer problems, refer to ["Other Issues" P.83](#).



### ■ When the Printer is Not Used for a Long Time

When the printer is not used for a long time due to consecutive holidays or when on vacation, or when changing or attaching parts in repair or maintenance, unplug the AC cord.

**Memo**

- The printer will not be functionally impaired even if left unplugged for a long time (more than 4 weeks).

## Power Save Mode and Deep Sleep Mode

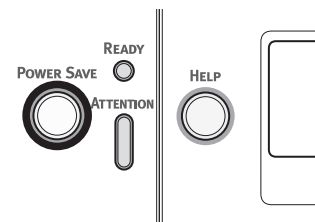
Two-phase power conservation enables you to save on power consumed by the printer.

### ■ Power Save Mode

When your printer is not used for a certain period of time, it automatically enters the power save mode to reduce the power consumption.

You can enter the power save mode manually by pressing the **<POWER SAVE>** button on the operator panel.

The **<POWER SAVE>** button lights up green while in this mode.



**Memo**

- By factory default, the time interval before entering the power save mode is set to 1 minute. For how to change the time that elapses before the printer enters the power save mode, refer to ["Setting the Time that Elapses Before Entering the Power Save Mode" P.58](#).

### ■ Deep Sleep Mode

Your printer goes from the power save mode to the deep sleep mode after a set period of time.

The **<POWER SAVE>** button blinks while in the deep sleep mode.

**Note**

- The printer does not enter the deep sleep mode if an error occurs.

**Memo**

- By factory default, the time interval before entering the deep sleep mode is set to 15 minutes. For how to change the time that elapses before the printer enters the deep sleep mode, refer to ["Setting the Time that Elapses Before Entering the Deep Sleep Mode" P.59](#).

**Reference**

- For more detailed information on deep sleep mode, please refer to the User's Manual (Advanced).

## ■ Restoring a Printer from the Power Saving Mode

To restore the printer from the power save mode or the deep sleep mode, press the **<POWER SAVE>** button on the operator panel.

### Memo

- When the printer receives a print job from a computer or other devices, it is restored automatically.

## Auto Power Off Function

When a certain period of time elapses after printing, this printer will turn off automatically.

### Memo

- The factory default setting for time that elapses before the printer power turns off automatically is 4 hours.
- For how to change the time that elapses before the printer power turns off automatically, refer to ["Settings for Turning Power Off Automatically \(Auto Power Off\)" P.62](#).

### Note

- In the factory default setting, the auto power off mode is disabled during network connection. To enable the auto power off mode during network connection, refer to ["Settings for Turning Power Off Automatically \(Auto Power Off\)" P.62](#).

## Installing Options

This section explains how to install options on your printer. The following options are available:

- Additional RAM (256 MB or 512 MB)
- 16 GB SD memory card kit
- Wireless LAN module

### Note

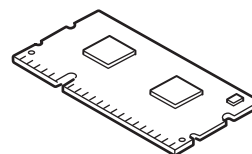
- Be sure to turn off your printer and unplug the AC cord and Ethernet or USB cable before installing options. Installing options while your printer is turned on may damage your printer and options.

### Memo

- After installing options, set the option settings with a printer driver. Refer to ["When Adding Options" P.44](#).

## Installing Additional RAM

Install additional RAM to increase the memory capacity of your printer in cases such as if memory overflow or the collate print errors occur. Your printer supports 256 MB and 512 MB RAM.



### Note

- Use only genuine OKI products. The performance cannot be guaranteed when using other products.
- The static electricity may damage parts. Discharge the static electricity from your body by touching grounded metallic parts, etc., before work.

### Memo

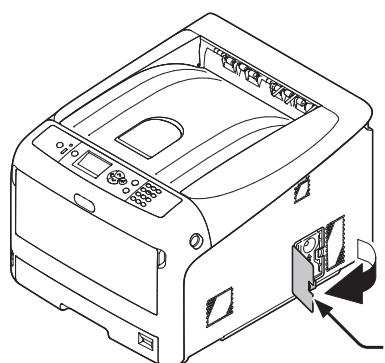
- For banner printing, installing additional memory is recommended.

- 1 Turn off your printer, and then unplug the AC cord and Ethernet or USB cable.

### Reference

- ["Turning Off the Power" P.22](#)

- 2 Open the access cover (1) on the right side of a printer.

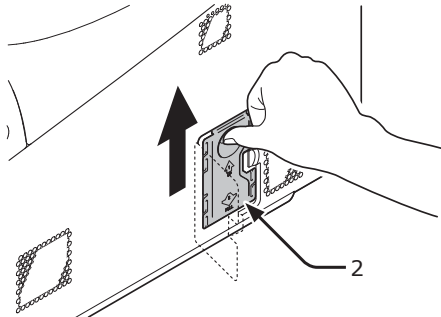


**3** Slide the metal plate (2) upward to remove.

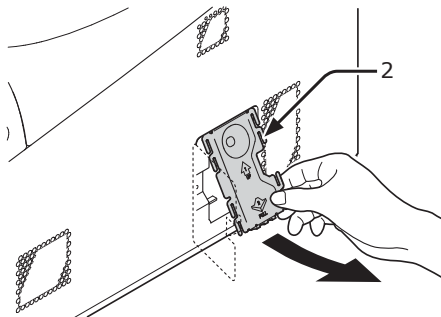
**! Note**

- If the SD memory card socket is attached, remove the SD memory card.

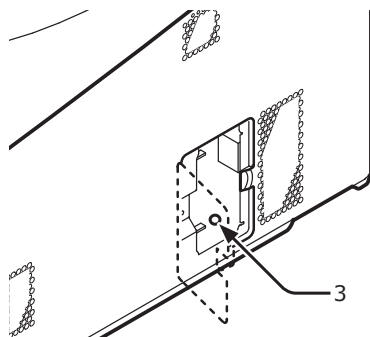
**(1)** Put your finger in the recess of the metal plate (2), and slide it upward.



**(2)** Pinch the lower part of the metal plate (2), and pull it forward.



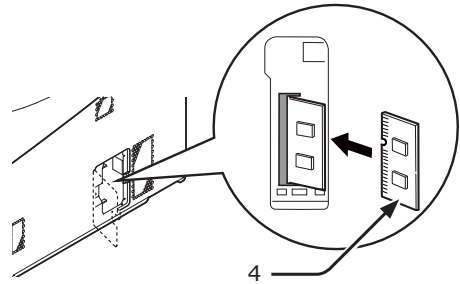
**4** Make sure the LED (3) indicated by the arrow turns off. If it is lit, wait until it turns off.



**5** Insert the additional RAM (4) into the slot and fix it by pushing it toward the printer.

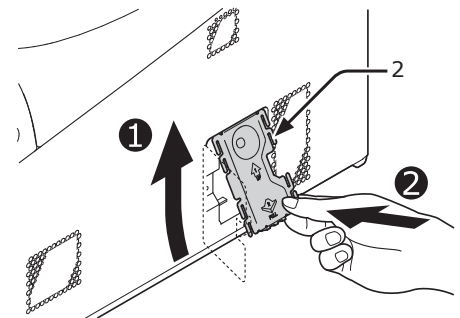
**! Note**

- Be sure to check a direction of an additional RAM. The additional RAM has small dents on its connector, which are fitted with a connector of a slot.

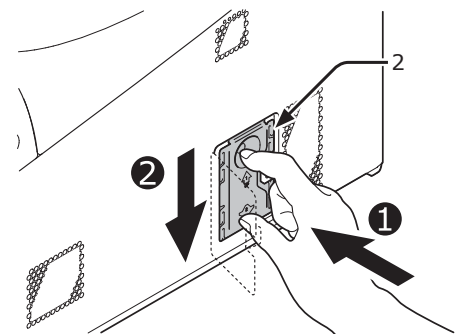


**6** Install the metal plate (2).

**(1)** First, insert the upper part of the metal plate (2) in the printer, then install the metal plate.



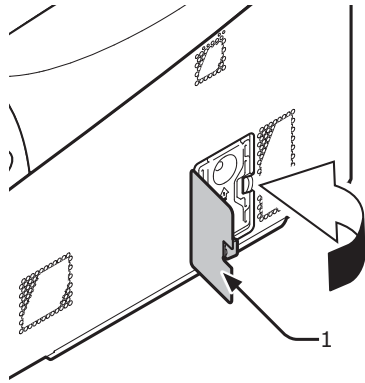
**(2)** While holding the lower part of the metal plate (2), slide the metal plate downward and secure it.



**! Note**

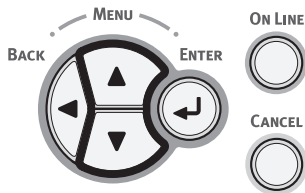
- Attach the SD memory card socket before installing the metal plate if the SD memory card socket was attached to the printer.

7 Close the access cover (1).

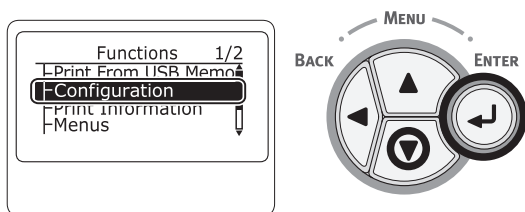


8 Plug the AC cord and Ethernet or USB cable into your printer, and then turn on the power switch.

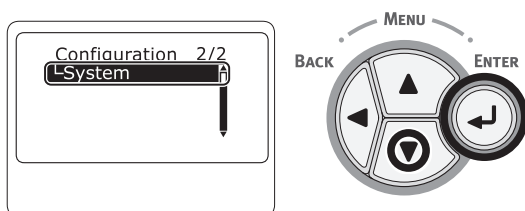
9 Press the scroll button ▼ or ▲ on the operator panel.



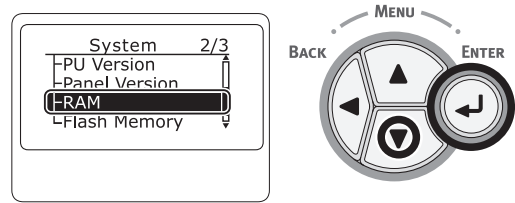
10 Press the scroll button ▼ to select [Configuration] and press the <ENTER> button.



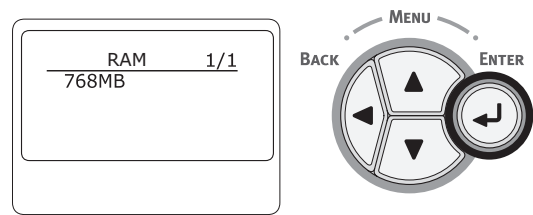
11 Press the scroll button ▼ several times to select [System] and press the <ENTER> button.



12 Press the scroll button ▼ several times to select [RAM] and press the <ENTER> button.



13 Check that the value of [RAM] has increased.

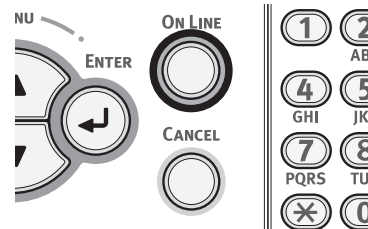


- For memory expanded to 256 MB, it is [512 MB]; for memory expanded to 512 MB, it is [768 MB].

**Note**

- If the value of [RAM] has not increased, turn off your printer and unplug the AC cord and Ethernet or USB cable, and then reinstall the additional RAM.

14 Press the <ON LINE> button.



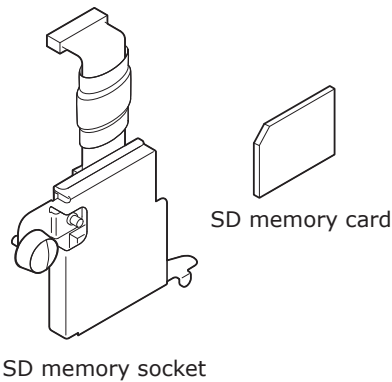


1

1. Setup

## Installing the 16-GB SD Memory Card Kit

For storing print data, install the SD memory card kit.



**Memo**

- The SD memory socket is attached to the SD memory card.

**Note**

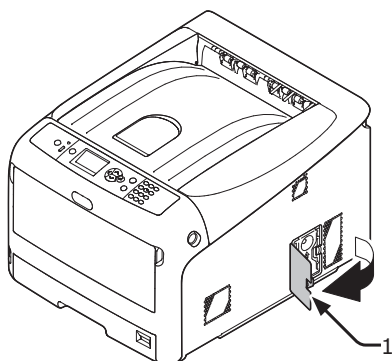
- Use only genuine OKI products. The performance cannot be guaranteed when using other products.
- The static electricity may cause damage to the parts. Discharge the static electricity in your body by touching grounded metallic parts, etc. before work.
- You can not use the SD memory card with the protection switch for accidental overwriting locked. Make sure to release the lock.

- 1 Turn off your printer, and then unplug the AC cord and Ethernet or USB cable.

**Reference**

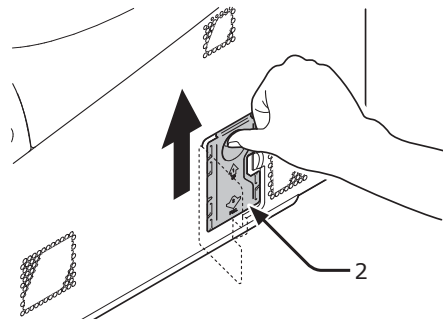
- "Turning Off the Power" P.22

- 2 Open the access cover (1).

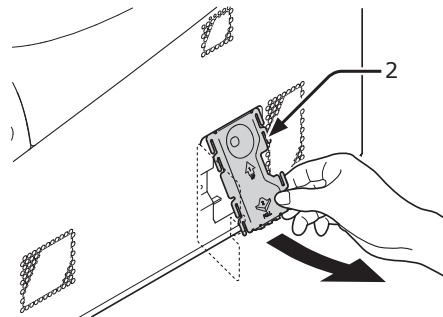


- 3 Remove the metal plate (2) by sliding it upward.

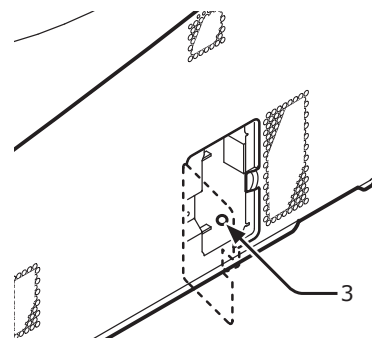
- (1) Put your finger in the recess of the metal plate (2), and slide it upward.



- (2) Pinch the lower part of the metal plate (2), and pull it forward.

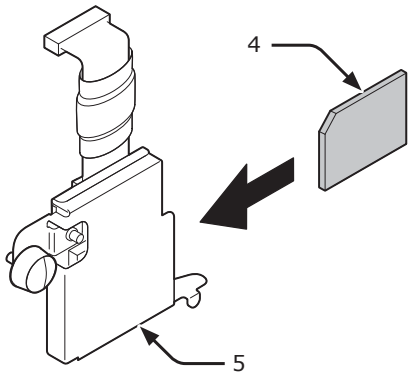


- 4 Make sure the LED (3) indicated by the arrow turns off. If it is lit, wait until it turns off.

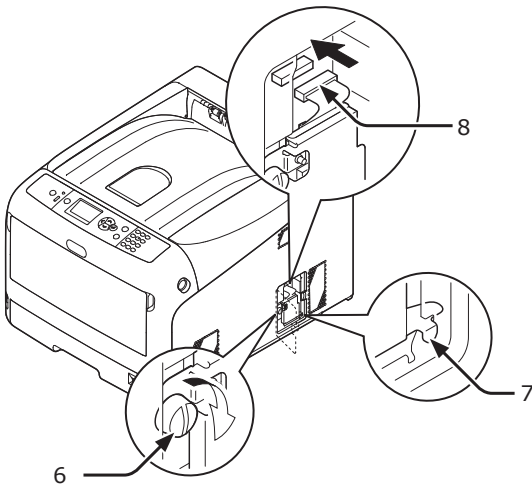




- 5 Install the SD memory card (4) into the SD memory card socket (5).

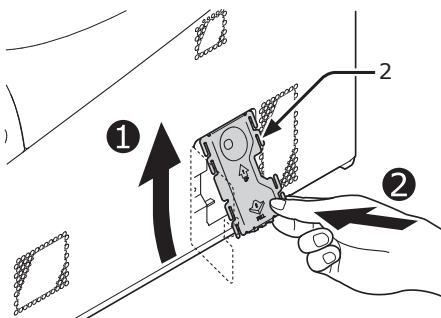


- 6 Install the SD memory socket to the printer with the screw (6) and tab (7) for the SD memory card socket and attach the connector (8).

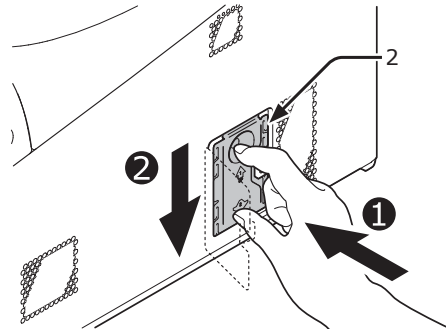


- 7 Install the metal plate (2).

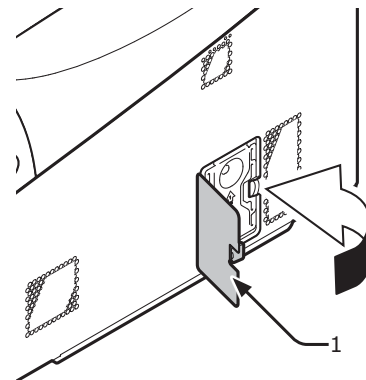
- (1) First, insert the upper part of the metal plate (2) in the printer, then install the metal plate.



- (2) While holding the lower part of the metal plate (2), slide the metal plate downward and secure it.

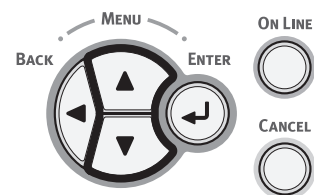


- 8 Close the access cover (1).

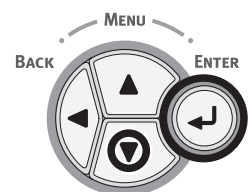
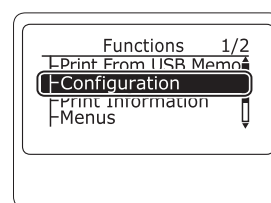


- 9 Plug the AC cord and Ethernet or USB cable into your printer, and then turn on the power switch.

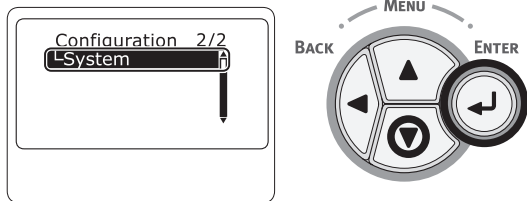
- 10 Press the scroll button ▼ or ▲ on the operator panel.



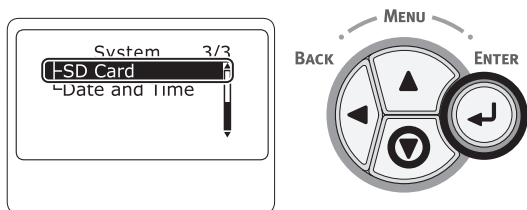
- 11 Press the scroll button ▼ to select [Configuration] and press the <ENTER> button.



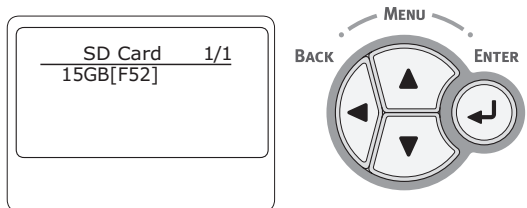
- 12** Press the scroll button ▼ several times to select [**System**] and press the <**ENTER**> button.



- 13** Press the scroll button ▼ several times to select [**SD Card**] and press the <**ENTER**> button.



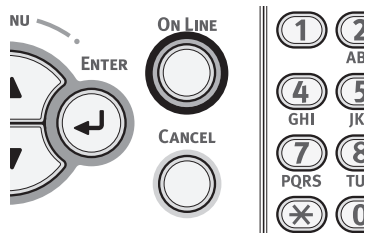
- 14** Check that the value of [**SD Card**] is [**16 GB**].



**Note**

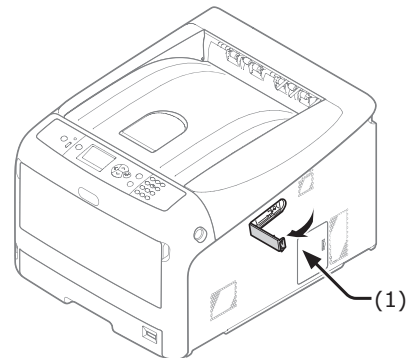
- [**15 GB**] may be displayed in [**SD Card**]. This is not an error.
- If the value of [**SD Card**] has not increased, turn off your printer and unplug the AC cord and Ethernet or USB cable, and then reinstall the SD memory card.

- 15** Press the <**ON LINE**> button.

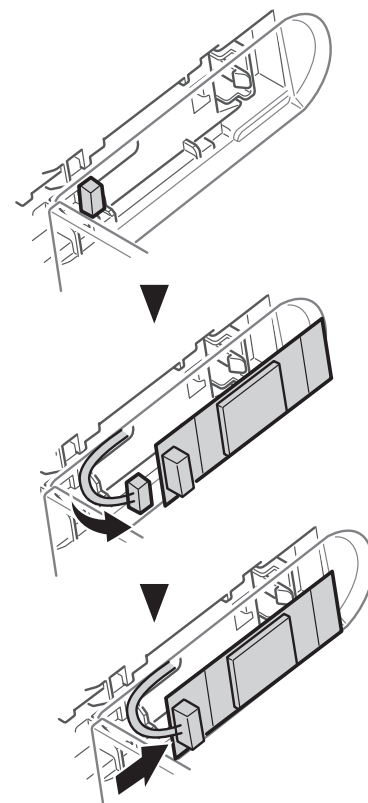


## Installing the Wireless LAN module

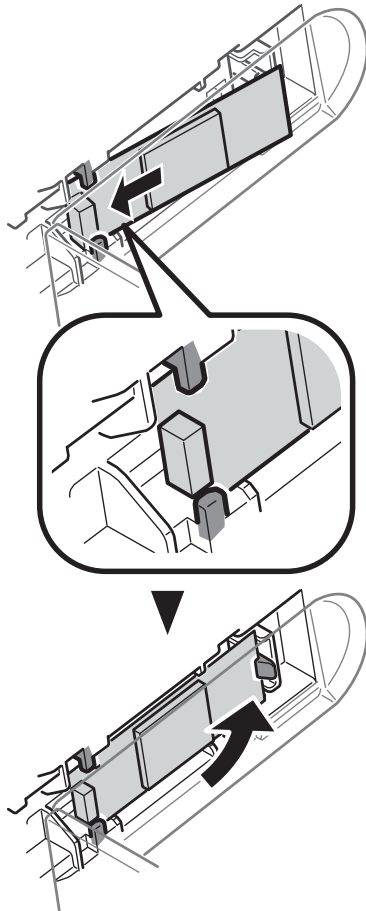
- 1 Turn off your printer, and then unplug the AC cord.
- 2 Open the Wireless LAN module cover (1) on the right side of a printer.



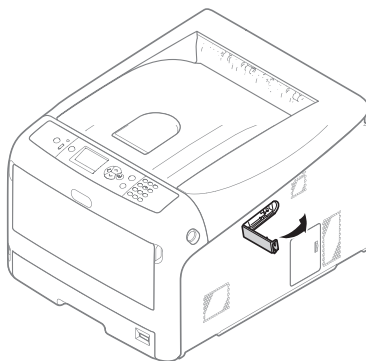
- 3 Pull out the connector, and plug it into the Wireless LAN module.



**4** Install the Wireless LAN module.



**5** Close the Wireless LAN module cover.



- 6** Plug the AC cord.
- 7** Turn on your printer while pressing the **<ENTER>** button.
- 8** Press the **<ENTER>** button.
- 9** Enter the administrator password.  
The factory default password is "999999".
- 10** Press the scroll button ▼ to select [**Wireless Module**] and press the **<ENTER>** button.
- 11** Press the scroll button ▲ to select [**Enable**] and press the **<ENTER>** button.
- 12** Press the **<ON LINE>** button.

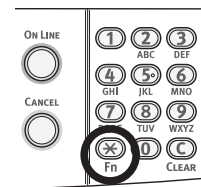
## Test Printing from the Printer

Check that you can print with the printer. Check the detailed settings and status of your printer by printing the contents of the settings (Configuration).

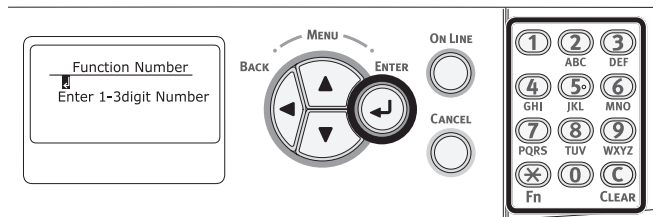
**! Note**

- When a printer is in the power saving mode, press the **<POWER SAVE>** button to restore from the mode.

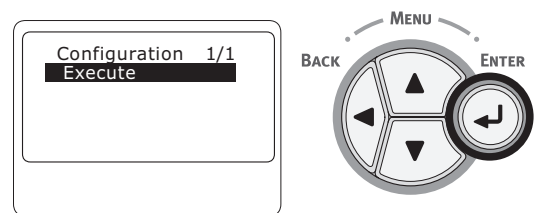
- 1** Press the **<Fn>** key on the operator panel.



- 2** Enter "100" using the numeric keypad and press the **<ENTER>** button.



- 3** Press the **<ENTER>** button as [**Execute**] is selected.



- 4** After finishing a print of printer settings, a setup for printing from a printer completes.

**Reference**

- You can also print reports and lists for each function. Refer to the User's Manual (Advanced).

## ● Connecting to a Computer

This section explains how to connect your printer to a computer and install a printer driver software using the provided "Software DVD-ROM".

Prepare a computer with a DVD drive.

### ■ Connection Method

You can select either of the following connection methods:

- ["Network Connection" P.31](#)
- ["USB Connection" P.41](#)

### ■ Product Requirements

Your printer supports the following operating systems:

- Windows 10/Windows 10 (64bit Version)
- Windows 8.1/Windows 8.1 (64bit Version)
- Windows 8/Windows 8 (64bit Version)
- Windows 7/Windows 7 (64bit Version)
- Windows Vista/Windows Vista (64bit Version)
- Windows Server 2016
- Windows Server 2012 R2
- Windows Server 2012
- Windows Server 2008 R2
- Windows Server 2008/Windows Server 2008 (x64 Version)
- OS X 10.8.5 to macOS Sierra

Depending on the printer driver version or the version of Windows or OS X, the description may be different.

## Network Connection

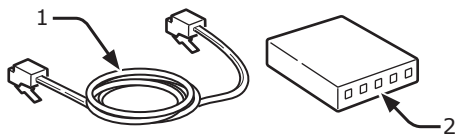
Perform the following procedure to connect your printer to a computer via network.

### Connecting an Ethernet Cable

Be sure to connect your printer to a network with an Ethernet cable before driver installation.

#### 1 Prepare an Ethernet cable (1) and a hub (2).

Prepare an Ethernet cable (category 5, twisted pair, straight) and a hub separately.



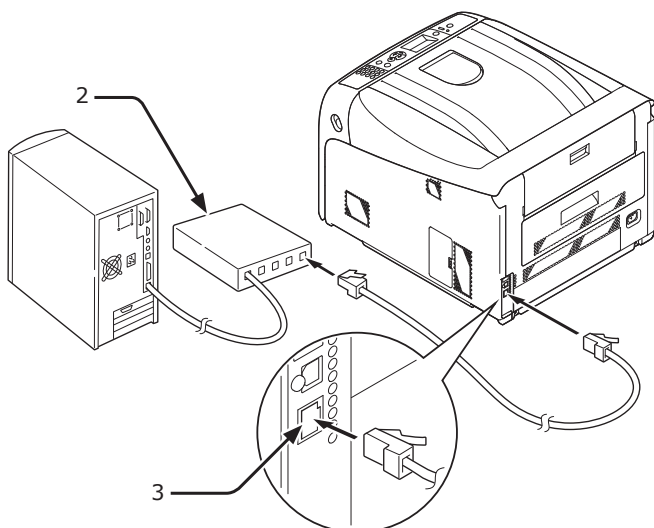
#### 2 Turn off your printer and computer.

##### Reference

- "Turning Off the Power" P.22

#### 3 Plug one end of the Ethernet cable into the network interface connection (3) on the back of the printer.

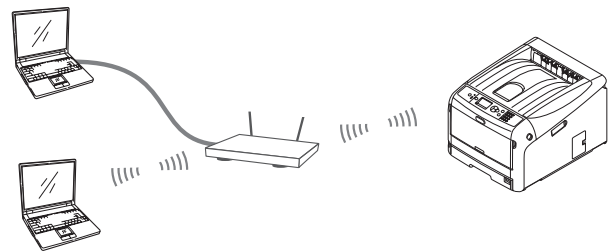
#### 4 Plug the other end of the Ethernet cable into the hub (2).



## Connecting in Wireless LAN (Infrastructure Mode) (Optional)

### ! Note

- In a wireless LAN environment, the machine enters sleep mode, but does not enter deep sleep mode.
- Do not place any devices (especially microwave ovens or digital cordless telephones) that emit weak electromagnetic waves near the machine.
- Install the machine near a wireless LAN access point or wireless device with no obstacles between them (the distance should be within 30 m).
- Wireless connections may be difficult if there is any metal, aluminum framed windows, or reinforced concrete walls between the machine and the wireless LAN access point.
- Wireless LAN connections may have slower transmission speeds, depending on the environment, than wired LAN or USB connections. We recommend using a wired LAN or a USB connection to print large amounts of data, such as photographs.



### ■ To choose a valid default gateway

- 1 Press the scroll button ▼ several times to select [**Admin Setup**] and press the <ENTER> button.
- 2 Enter the administrator password using the numeric (0-9) keys, and press the <ENTER> button.  
The factory default password is "999999". Press the <ENTER> button after each character you input.
- 3 Press the scroll button ▼ several times to select [**Network Setup**] and press the <ENTER> button.
- 4 Press the scroll button ▼ several times to select [**Enabling Default Gateway**] and press the <ENTER> button.
- 5 Press the scroll button ▼ to select [**Wireless(Infrastructure)**].
- 6 Press the <ENTER> button.

## ■ Connecting Using WPS

If the wireless LAN access point supports WPS, the connection to the wireless LAN can be made easily by using the easy setup button (WPS button).

Follow the procedure below for the setup.

- 1 Confirm the position of the easy setup button and when to press the button by referring to the user manual of the wireless LAN access point.
- 2 Confirm that the wireless LAN access point has been activated and is functioning normally.
- 3 Turn on the printer.
- 4 Press the scroll button ▼ several times to select [**Wireless(Infrastructure) Setting**], and then press the <ENTER> button.
- 5 Enter the administrator password using the numeric (0-9) keys, and press the <ENTER> button.  
The factory default password is "999999". Press the <ENTER> button after each character you input.
- 6 Press the scroll button ▼ several times to select [**Automatic setup (WPS)**], and then press the <ENTER> button.
- 7 Select [**WPS-PBC**], and then press the <ENTER> button.
- 8 Select [**Yes**], and then press the <ENTER> button.
- 9 The Printer starts searching for wireless LAN access points. During 2 minutes, press the easy setup button for the wireless LAN access point for a few seconds.

Once **Connection successful** is displayed, it indicates that the wireless LAN setup has completed.

If **Connection failed** is displayed, repeat the procedure from step 4.

If an antenna appears on the upper right corner of the operator panel, it indicates that the connection is successful.

## ■ Connecting by Selecting a Wireless LAN Access Point from the Control Panel

If the wireless LAN access point does not support WPS, you can connect by selecting the wireless LAN access point you want to use from those the machine has detected. To do this, an encryption key is required.

- 1 Confirm and write down the SSID and encryption key by referring to the user manual of the wireless LAN access point.



- The SSID is also called the network name, ESSID, or ESS-ID.
- The encryption key is also called the network key, security key, password, or pre-shared key.

- 2 Confirm that the wireless LAN access point has been activated and is functioning normally.
- 3 Turn on the printer.
- 4 Press the scroll button ▼ several times to select [**Wireless(Infrastructure) Setting**], and then press the <ENTER> button.
- 5 Enter the administrator password using the numeric (0-9) keys, and press the <ENTER> button.  
The factory default password is "999999". Press the <ENTER> button after each character you input.
- 6 Press the scroll button ▼ several times to select [**Wireless Network Selection**], and then press the <ENTER> button.
- 7 The printer starts searching for wireless LAN access points. Please wait.
- 8 A list of available wireless LAN access point SSIDs are displayed. Press ▲ or ▼, select a wireless LAN access point, and press the <ENTER> button.



- If only [**Manual Setup**] is displayed or the desired wireless LAN network SSID is not displayed, follow the procedure in "Connecting by Manual Setup from Control Panel" to do the settings.



- 9 A screen opens in which to input the encryption key appropriate to the encryption procedure for the selected wireless LAN access point; input the encryption key.

 Memo

- The encryption key differs depending on the wireless LAN access point and security.

■ If [**WPA Pre-shared Key**] is displayed

Item	Explanation
Encryption method	WPA/WPA2-PSK
Encryption key	Enter the pre-shared key.

\* Configure from the machine's web page.

■ If [**WEP Key**] is displayed

Item	Explanation
Encryption method	WEP
Encryption key	Input the WEP key.

■ Other settings

Item	Explanation
Encryption method	Disable
Encryption key	Input is not necessary.

- 10 The SSID selected in step 7 and the encryption method in step 8 are displayed as security in of the confirmation screen. If the SSID is the same as the one set up in step 1, select [**ENTER**]:**Execute** and press the <**ENTER**> button.

Once **Connection successful** is displayed, it indicates that the wireless LAN setup has completed.

If **Connection failed** is displayed, repeat the procedure from step 4.

If an antenna appears on the upper right corner of the operator panel, it indicates that the connection is successful.

## ■ Connecting by Manual Setup from Control Panel

Configure the wireless LAN access point information (SSID, encryption method, and encryption key) manually, and connect to the wireless LAN.

- 1 Check and write down the SSID, the encryption method and the encryption key by referring to the user manual of the wireless LAN access point.

 Note

- When the encryption method is WPA-EAP or WPA2-EAP, configure from the printer's web page.

 Memo

- The SSID is also called the network name, ESSID, or ESS-ID.
  - The encryption key is also called the network key, security key, password, or pre-shared key.
- 2 Confirm that the wireless LAN access point has been activated and is functioning normally.
  - 3 Turn on the printer.
  - 4 Press the scroll button ▼ several times to select [**Wireless(Infrastructure) Setting**], and then press the <**ENTER**> button.
  - 5 Enter the administrator password using the numeric (0-9) keys, and press the <**ENTER**> button.  
The factory default password is "999999". Press the <**ENTER**> button after each character you input.
  - 6 Press the scroll button ▼ several times to select [**Wireless Network Selection**], and then press the <**ENTER**> button.
  - 7 The printer starts searching for wireless LAN access points. Please wait.
  - 8 A list of available wireless LAN access point SSIDs are displayed. Press ▲ or ▼, select [**Manual Setup**] at the end of the list, and press the <**ENTER**> button.
  - 9 Input the SSID recorded in step 1, and press the <**ENTER**> button.

 Note

- It is case sensitive. Please enter it correctly.

**10** Select the encryption method confirmed in step 1, and press the **<ENTER>** button.

 Memo

- The encryption key differs depending on the wireless LAN access point and security.

**11** Input the encryption key recorded in step 1, and press the **<ENTER>** button.

**12** Press the **<ENTER>** button.

Once **Connection successful** is displayed, it indicates that the wireless LAN setup has completed.

If **Connection failed** is displayed, repeat the procedure from step 4.

If an antenna appears on the upper right corner of the operator panel, it indicates that the connection is successful.

## Installing a Printer Driver (for Windows)

To complete the network connection with a Windows computer, first set IP addresses for the printer, and then install a printer driver on the computer.

If there is no DHCP server or BOOTP server on the network, you need to manually configure the IP address on the computer or printer.

If your network administrator or internet service provider specifies a unique IP address for the computer and your printer, you need to set the IP addresses manually.

 Note

- You need to complete the network setting of the computer before this procedure.
- To complete this procedure, you must be logged in as an administrator.
- When setting an IP address manually, ask the network administrator or your internet service provider which IP address to use. If the IP address is set wrong, the network may go down or Internet access may be disabled.

 Memo

- If configuring a small network consisting of only your printer and a computer, set IP addresses as shown below (according to RFC1918).

### For the computer

IP address : 192.168.0.1 - 254  
 Subnet mask : 255.255.255.0  
 Default gateway : not used  
 DNS server : not used

### For the printer

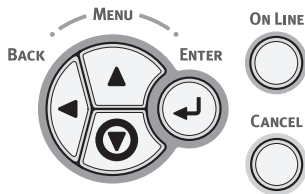
IP address Set : Manual  
 IP address: 192.168.0.1 - 254 (select a different value from that of the computer)  
 Subnet Mask : 255.255.255.0  
 Default Gateway : 0.0.0.0  
 Network Scale : Small

- To set [**Network Scale**], press the scroll button ▼ or ▲ and then select [**Admin Setup**] > [**Network Setup**] > [**Network Scale**].

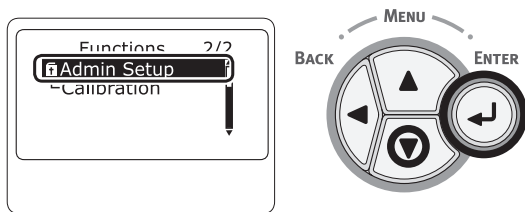


□ First, Set the IP address of the printer.

- 1 Turn on the printer.
- 2 Press the ▼ button on the operator panel.

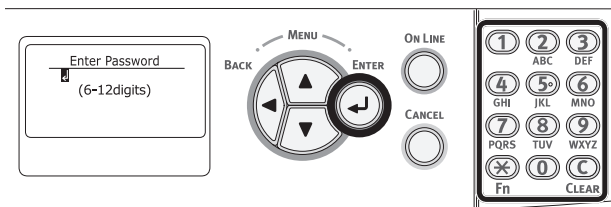


- 3 Press the scroll button ▼ to select [**Admin Setup**], and press the <ENTER> button.

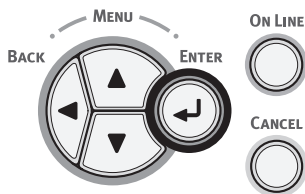


- 4 Enter the administrator password using the numeric (0-9) keys, and press the <ENTER> button.

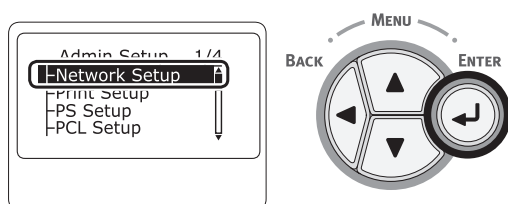
The factory default password is "999999". Press the <ENTER> button after each character you input.



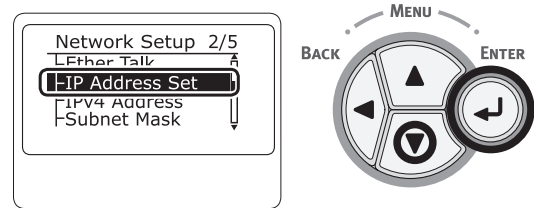
- 5 Press the <ENTER> button.



- 6 Check that [**Network Setup**] is selected and press the <ENTER> button.



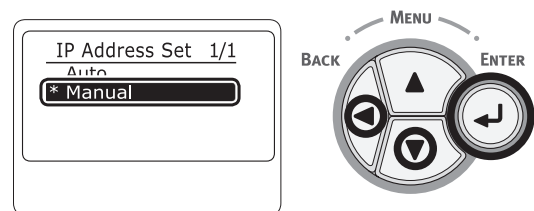
- 7 Press the ▼ to select [**IP Address Set**], and press the <ENTER> button.



- 8 If setting the IP address manually, press the scroll button ▼ and select [**Manual**], and press the <ENTER> button.

After entering all settings, press the <BACK> button.

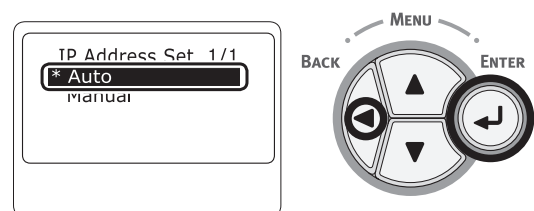
Proceed to the step 9.



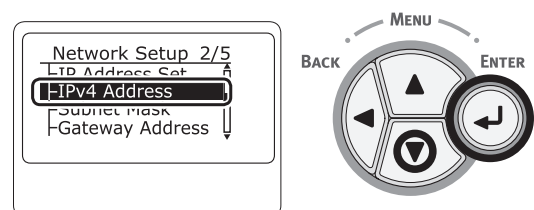
If obtaining the IP address automatically, check that [**Auto**] is selected, and press the <ENTER> button.

After entering all settings, press the <BACK> button.

Proceed to the step 15.



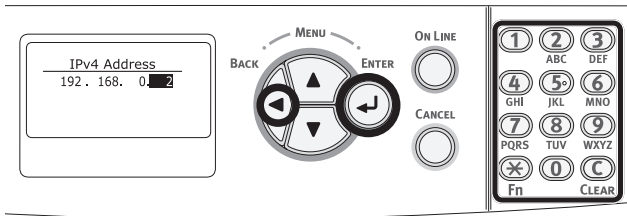
- 9 Press the scroll button ▼ to select [**IPv4 Address**], and press the <ENTER> button.



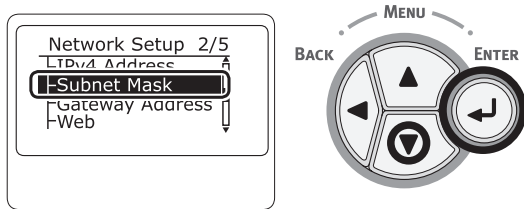
- 10** Enter the IP address using the numeric (0-9) keys, and press the **<ENTER>** button.

To move to the next box, press the **<ENTER>** button.

After entering all settings, press the **<BACK>** button.



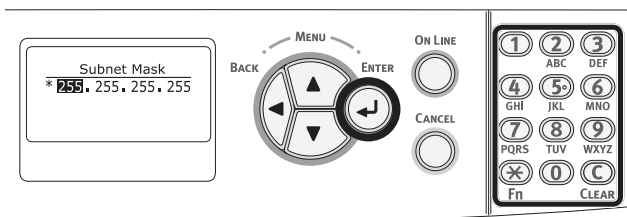
- 11** Press the scroll button **▼** to select [**Subnet Mask**], and press the **<ENTER>** button.



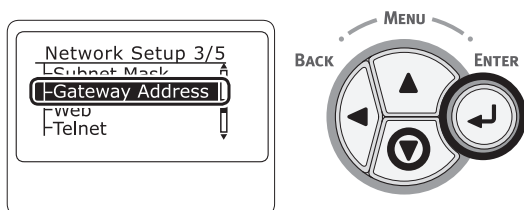
- 12** Enter the subnet mask in the same manner of IP address.

To move to the next box, press the **<ENTER>** button.

After entering all settings, press the **<BACK>** button.



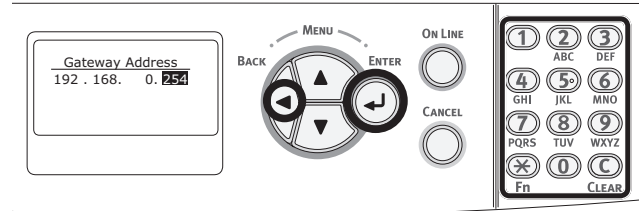
- 13** Press the scroll button **▼** to select [**Gateway Address**], and press the **<ENTER>** button.



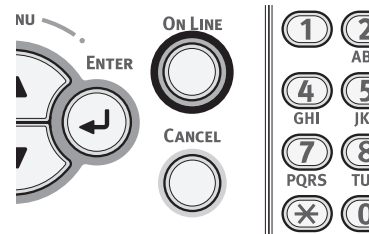
- 14** Enter the default gateway address and press the **<ENTER>** button.

To move to the next box, press the **<ENTER>** button.

After entering all settings, press the **<BACK>** button.

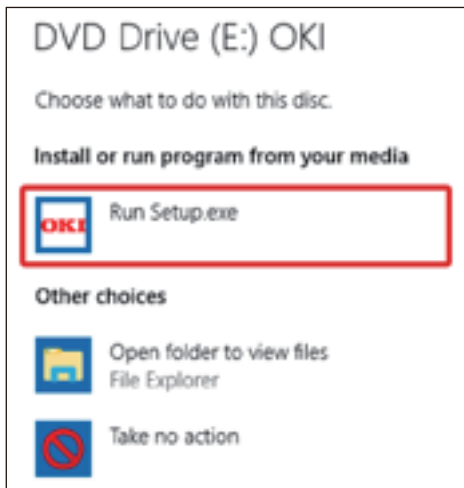


- 15** When the setup menu screen is displayed, press the **<ON LINE>** button to complete the network settings.



❑ Next, install the printer driver on the computer.

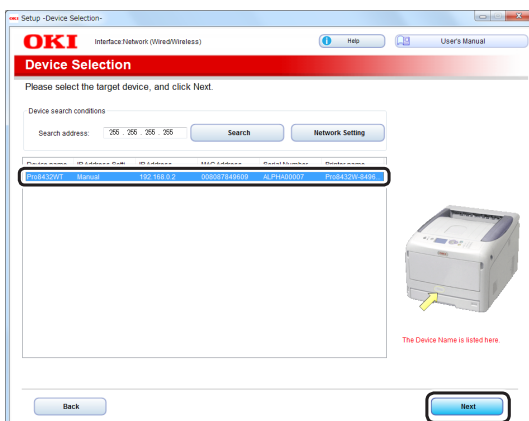
- 1 Insert the included "Software DVD-ROM" into a computer.
- 2 When [**AutoPlay**] is displayed, click [**Run Setup.exe**].



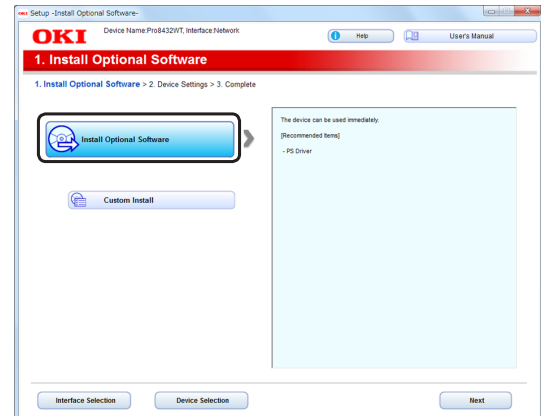
**Memo**

- If the [**User Account Control**] dialog box is displayed, click [**Yes**].

- 3 Select a language from the drop-down list.
- 4 Read the license agreement, and then click [**Accept**].
- 5 Select [**Network (Wired/Wireless)**] in accordance to the connection method of the machine and computer, and then click [**Next**].
- 6 Select the model name of the machine, and then click [**Next**].



- 7 Click [**Install Optional Software**].



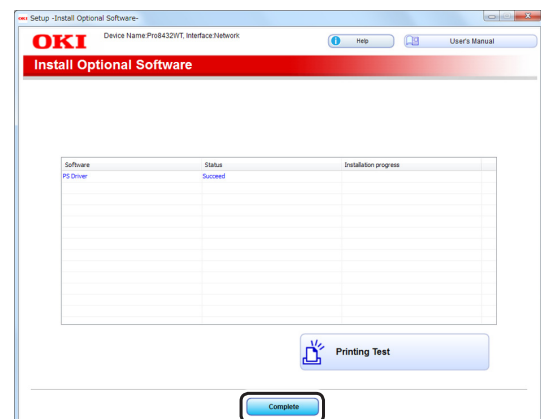
Installation starts.

**Memo**

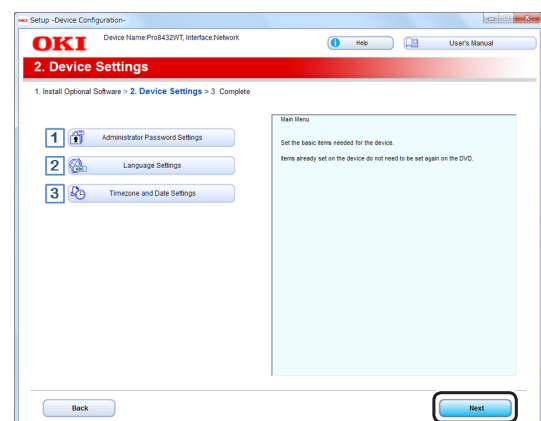
- The following software is installed.
  - PS Printer Driver (Including Network Extension)
- Install other software from Custom Install

- 8 Make sure that the software is successfully installed, and then click [**Printing Test**].

- 9 Click [**Complete**].



- 10 Click [**Next**].



11 Click **[Exit]**.



### Installing a Printer Driver (For OS X)

To complete the network connection with a Mac operating system, install a printer driver on the computer and set your printer as a network printer.

**Note**

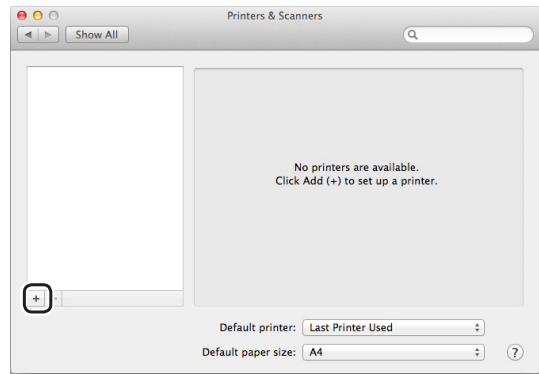
- Disable the anti-virus software before starting this procedure.

■ **Install the OS X PS Printer Driver.**

When the installation is complete, print a test page in step 14.

- 1 Make sure that the machine and a computer are connected and the machine is turned on.
- 2 Insert the "Software DVD-ROM" into a computer.
- 3 Double-click the **[OKI]** icon on the desktop.
- 4 **[Drivers]** > Double-click **[Installer for OSX]**.
- 5 Enter the administrator password, and then click **[OK]**.  
Follow the on-screen instructions to complete the installation.
- 6 Select **[System Preferences]** from the Apple menu.
- 7 Click **[Printers & Scanners]**.

8 Click **[+]**.



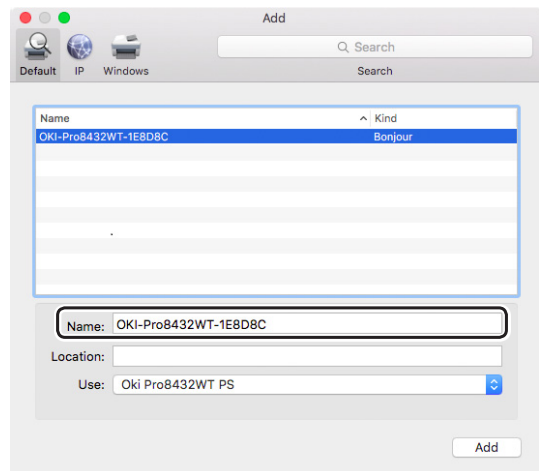
9 Click **[Default]**.

10 Select the machine where **[Kind]** is **[Bonjour]**, and then select **[Oki Pro8432WT PS]** from the **[Use]**.

Connection	Priner Name	Kind
Network	OKI-Pro8432WT-(last 6 digits of MAC address)	Bonjour

**Memo**

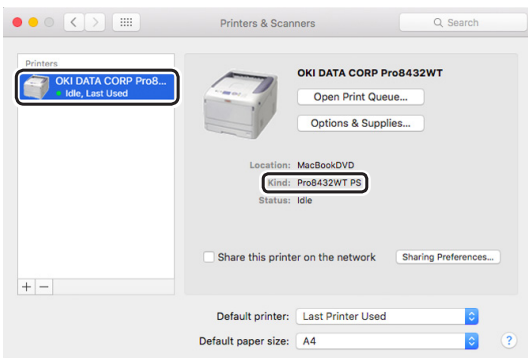
- To change the name, enter a new name into **[Name:]**.



11 Click **[Add]**.

12 When **[Installable options]** is displayed, click **[Continue]**.

- 13 Make sure that the machine is added to [**Printers**] and [**Pro8432WT PS**] is displayed for [**Kind**].



**Note**

- If [**Pro8432WT PS**] is not displayed for [**Kind**] correctly, click [-], delete the machine from [**Printers**], and then newly perform steps 8 to 12.

- 14 Click [**Open Print Queue...**].

- 15 Select [**Print Test Page**] from the [**Printer**] menu.

## Connecting in Wireless LAN (AP Mode) (Optional)

The wireless LAN (AP mode) connects directly to a wireless terminal (computer, tablet, smartphone, etc.) without using a wireless LAN access point.

**Note**

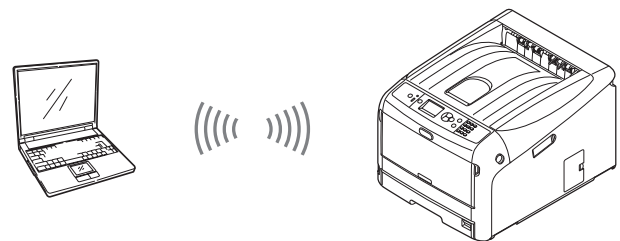
- You cannot enable wireless LAN (infrastructure) and wireless LAN (AP mode) at the same time.
- If you enable wireless LAN (AP mode), the machine enters sleep mode, but does not enter deep sleep mode.
- Do not place any devices (especially microwave ovens or digital cordless telephones) that emit weak electromagnetic waves near the machine.
- Wireless connections may be difficult if there is any metal, aluminum framed windows, or reinforced concrete walls between the machine and the wireless terminal (computer, tablet, smartphone, etc.).
- Wireless LAN connections may have slower transmission speeds than wired LAN or USB connections, depending on the environment. We recommend using a wired LAN or a USB connection.

### ■ Preparing to use the wireless LAN (AP mode)

The machine becomes a simple wireless access point, and wireless terminals (computer, tablet, smartphone, etc.) can connect directly to it.

Before you start, confirm that the wireless device you are using supports the following environment.

Item	Value
Standard	IEEE 802.11 b/g/n
Security	WPA2-PSK (AES)



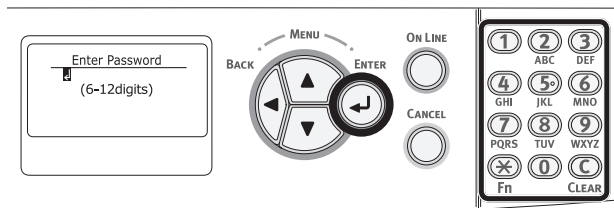
## ■ Automatic Setup (Push Button)

If the wireless terminal (computer, tablet, smartphone, etc.) supports WPS-PBC (push button), then you can use the WPS button to connect via wireless (AP mode).

Follow the procedure below to connect.

- 1 Confirm the position of the WPS button in the user's manual provided with the wireless terminal (computer, tablet, smartphone, etc.)
- 2 Turn on the printer.
- 3 Press the scroll button ▼ several times to select [**Wireless(AP Mode) Setting**], and then press the <ENTER> button.
- 4 Enter the administrator password using the numeric (0-9) keys, and press the <ENTER> button.

The factory default password is "999999". Press the <ENTER> button after each character you input.



- 5 Select [**Enable**], and then press the <ENTER> button.
- 6 Press the scroll button ▼ to select [**Automatic Setup (Push Button)**], and then press the <ENTER> button.
- 7 Select [**Yes**], and then press the <ENTER> button.
- 8 Start WPS-PBC (push button) on the wireless terminal (computer, tablet, smartphone, etc.).

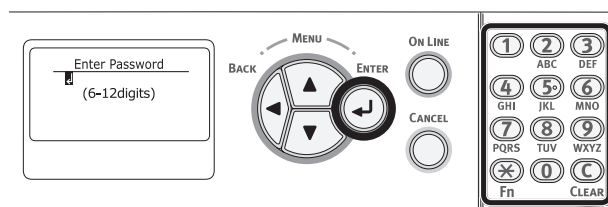
## ■ Manual connections

If the wireless terminal (computer, tablet, smartphone, etc.) does not support WPS-PBC (push button), then you can input the machine's SSID and password into the wireless terminal (computer, tablet, smartphone, etc.) to connect.

Follow the procedure below to connect.

- 1 Turn on the printer.
- 2 Press the scroll button ▼ several times to select [**Wireless(AP Mode) Setting**], and then press the <ENTER> button.
- 3 Enter the administrator password using the numeric (0-9) keys, and press the <ENTER> button.

The factory default password is "999999". Press the <ENTER> button after each character you input.



- 4 Select [**Enable**], and then press the <ENTER> button.
- 5 Press the scroll button ▼ several times to select [**Manual Setup**], and then press the <ENTER> button.
- 6 Confirm the [**SSID**] and [**Password**] that are displayed on the printer.
- 7 Input the printer's [**SSID**] and [**Password**] that were confirmed in step 7 for the wireless terminal (computer, tablet, smartphone, etc.).

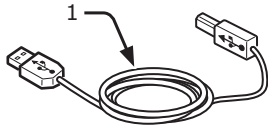
## USB Connection

Perform the following procedure to connect your printer to a computer via USB.

### Connecting a USB Cable

#### 1 Prepare a USB cable (1).

A USB cable is not supplied with your printer. Prepare a USB 2.0 cable separately.



#### Memo

- Use a USB 2.0 Hi-Speed cable for a USB 2.0 Hi-Speed connection.

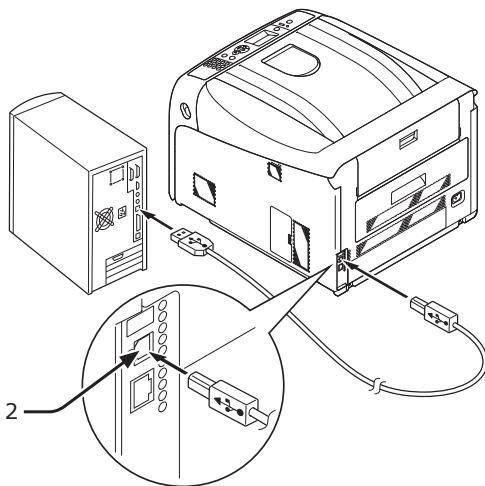
#### 2 Turn off your printer and the computer.

#### Reference

- "Turning Off the Power" P.22

#### 3 Plug one end of the USB cable into the USB interface connector (2) on the back of the printer.

#### 4 Plug the other end of the USB cable into the computer's USB interface connector.



#### Note

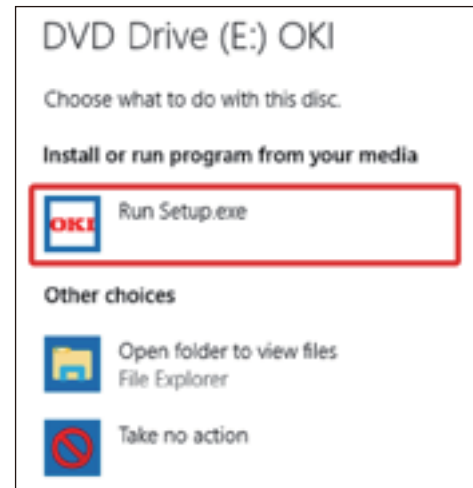
- Do not plug the USB cable into the network interface connection. Doing so may cause a malfunction.

## Installing a Printer Driver (For Windows)

#### Note

- You must be logged in as an administrator to complete this procedure.

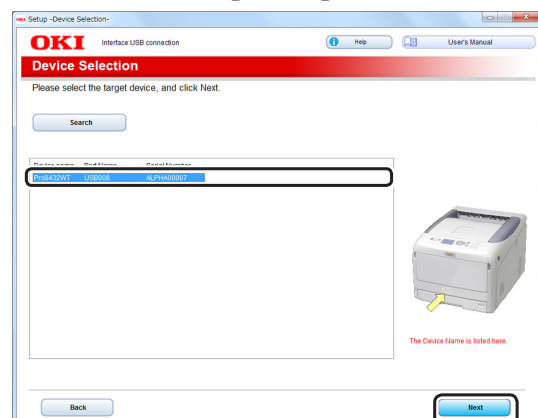
- 1 Insert the included "Software DVD-ROM" into a computer.
- 2 When [**AutoPlay**] is displayed, click [**Run Setup.exe**].



#### Memo

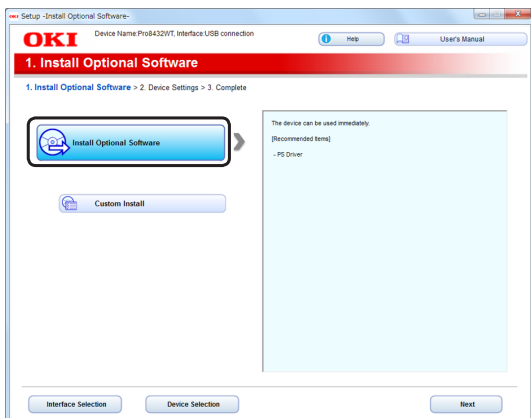
- If the [**User Account Control**] dialog box is displayed, click [**Yes**].

- 3 Select a language from the drop-down list.
- 4 Read the license agreement, and then click [**Accept**].
- 5 Select [**USB**] in accordance to the connection method of the machine and computer, and then click [**Next**].
- 6 Select the model name of the machine, and then click [**Next**].





7 Click [**Install Optional Software**].



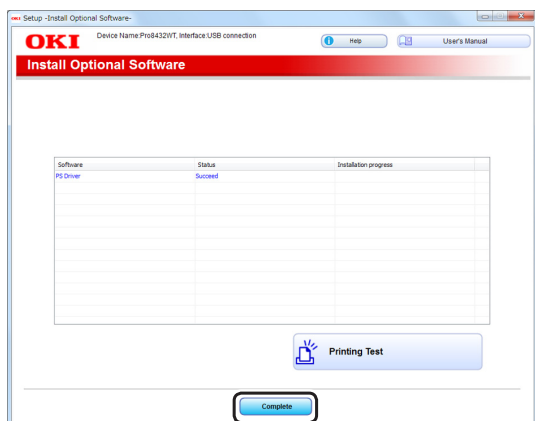
Installation starts.



- The following software is installed.
  - PS Printer Driver
- Install other software from Custom Install.

8 Make sure that the software is successfully installed, and then click [**Printing Test**].

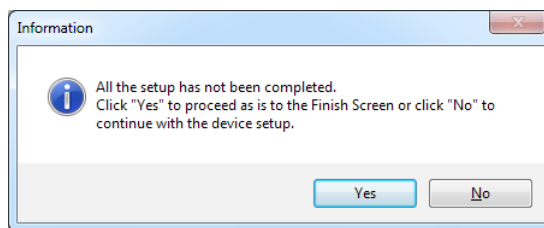
9 Click [**Complete**].



10 Click [**Next**].



- The following screen may appear when [**Next**] is clicked.
- If it appears, click [**Yes**].



11 Click [**Exit**].



### Installing a Printer Driver (For OS X)



- Disable the anti-virus software before starting this procedure.

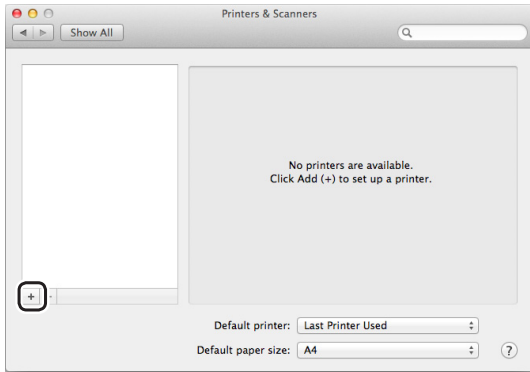
#### ■ Install the OS X PS Printer Driver.

When the installation is complete, print a test page in step 14.

- 1 Make sure that the machine and a computer are connected and the machine is turned on.
- 2 Insert the "Software DVD-ROM" into a computer.
- 3 Double-click the [**OKI**] icon on the desktop.
- 4 [**Drivers**] > Double-click [**Installer for OSX**].
- 5 Enter the administrator password, and then click [**OK**].  
Follow the on-screen instructions to complete the installation.
- 6 Select [**System Preferences**] from the Apple menu.
- 7 Click [**Printers & Scanners**].



## 8 Click [+].



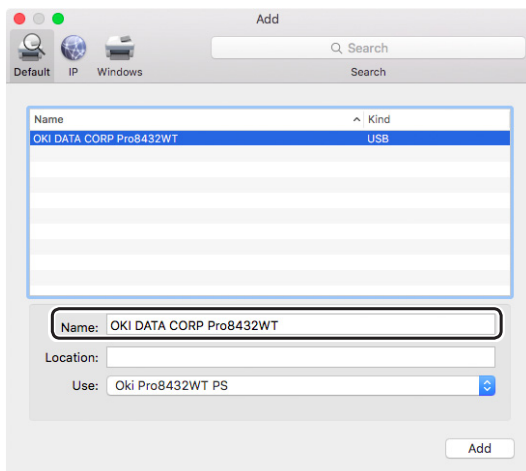
## 9 Click [Default].

## 10 Select the machine where [Kind] is [USB], and then select [Oki Pro8432WT PS] from the [Use].

Connection	Priner Name	Kind
USB	OKI DATA CORP Pro8432WT	USB



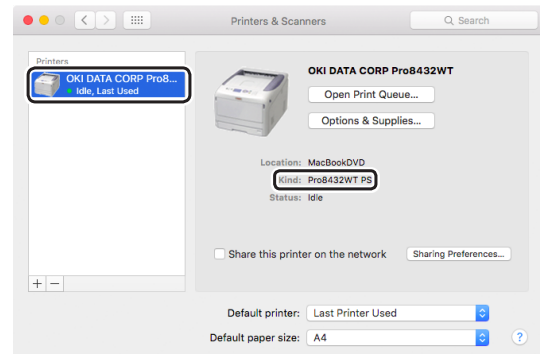
- To change the name, enter a new name into [Name:].



## 11 Click [Add].

## 12 When [Installable options] is displayed, click [Continue].

## 13 Make sure that the machine is added to [Printers] and [Pro8432WT PS] is displayed for [Kind].



## ! Note

- If [Pro8432WT PS] is not displayed for [Kind] correctly, click [-], delete the machine from [Printers], and then newly perform steps 8 to 12.

## 14 Click [Open Print Queue...].

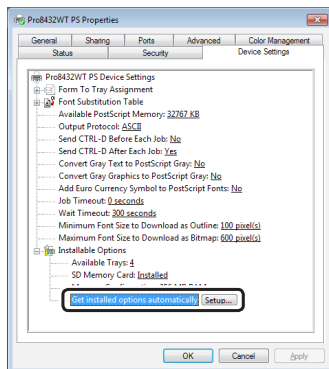
## 15 Select [Print Test Page] from the [Printer] menu.

## When Adding Options

If options such as SD memory card kit has been installed, use following procedures to change printer driver settings.

### ■ For Windows PS Printer Driver

- 1 Click [**Start**] > [**Devices and Printers**].
- 2 Right-click the [**Pro8432WT**] icon and then select [**Printer Properties**]. (If you have installed multiple printer drivers, select [**Printer Properties**] > [**Pro8432WT PS**].)
- 3 Select the [**Device Settings**] tab.
- 4 If using a network connection, select [**Get installed options automatically**] under [**Installable Options**], and then click [**Setup**]. If using a USB connection, change the setting according to the added options of [**Installable Options**].

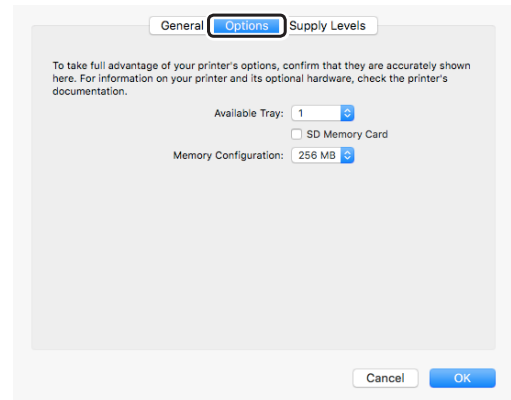


- 5 Click [**OK**].

### ■ For OS X PS Printer Driver

- 1 Select [**System Preferences**] from the Apple menu.
- 2 Click [**Printers & Scanners**].
- 3 Select the name of your printer and then click [**Options & Supplies**].

- 4 Select the [**Options**] tab.



- 5 Change the setting according to the added options.

## 2. Printing Basic Operation

This chapter describes how to print documents from a computer.

### ● Supported Paper

#### Supported Paper Types

For high-quality printing, be sure to use paper types that satisfy requirements such as those for material quality, weight, and surface finish. Please use digital photo print paper.

If not using recommended paper, please check the print quality and the movement of the paper sufficiently beforehand to make sure that there are no problems. Your printer supports the following types of paper.

Paper Type	Paper Size mm (inch)		Paper Weight
Plain paper	A3	297 x 420	64 to 256 g/m <sup>2</sup> <b>! Note</b> • If the paper size is set at A6, A5, or with a paper width narrower than 148 mm (A5 width), the printing will be slower.
	A4	210 x 297	
	A5	148 x 210	
	A6	105 x 148	
	B4	257 x 364	
	B5	182 x 257	
	B6	128 x 182	
	B6 Half	64 x 182	
	Tabloid	(11 x 17)	
	Letter	215.9 x 279.4 (8.5 x 11)	
	Legal 13"	215.9 x 330.2 (8.5 x 13)	
	Legal 13.5"	215.9 x 342.9 (8.5 x 13.5)	
	Legal 14"	215.9 x 355.6 (8.5 x 14)	
	Executive	184.2 x 266.7 (7.25 x 10.5)	
	Statement	(5.5 x 8.5)	
	8.5"SQ	(8.5 x 8.5)	
	Folio	210 x 330.2	
	8K (260 x 368 mm)	260 x 368	
	8K (270 x 390 mm)	270 x 390	
	8K (273 x 394 mm)	273 x 394	
16K (184 x 260 mm)	184 x 260		
16K (195 x 270 mm)	195 x 270		
16K (197 x 273 mm)	197 x 273		
Custom Size	Width: 64 - 297 Length: 90 - 431	64 to 256 g/m <sup>2</sup>	
Index card	Index card	76.2 x 127 (3 x 5)	
Photo	Photo (4 x 6 inch)	(4 x 6)	
	Photo (5 x 7 inch)	(5 x 7)	

Use paper that meets the following conditions\*<sup>1</sup>:

- Paper that meets the conditions for plain paper.
- An ink used for a part printing is heat resistant (230°C).

**Note**

- When specifying a printing area, please take into account the differences of printing position as followings:  
Print start position:  $\pm 2$  mm, Paper skew:  $\pm 1$  mm/100 mm, Image stretch:  $\pm 1$  mm/100 mm  
(when paper weight is 80g/m<sup>2</sup>)
- This printer cannot print on an ink.

Use paper that meets the following conditions\*<sup>2</sup>:

- A pigment or an ink used to color paper is heat resistant (230°C).
- Paper that has same characteristics with light paper and used for an electronic photo printer.

## Paper Recommendations

Your printer will handle a variety of print media, including a range of paper weights and sizes.

This section provides general advice on choice of media, and explains how to use each type.

The best performance will be obtained when using standard 75 - 90 g/m<sup>2</sup> paper designed for use in copiers and laser printers.

Use of heavily embossed or very rough textured paper is not recommended.

Pre-printed stationery can be used, but the ink must not offset when exposed to the high fuser temperatures used in the printing process.

### CAUTION

- Envelopes should be free from twist, curl or other deformations. They should also be of the rectangular flap type, with glue that remains intact when subjected to hot roll pressure fusing used in this type of printer. Window envelopes are not suitable.
- Labels should also be of the type recommended for use in copiers and laser printers, in which the base carrier page is entirely covered by labels. Other types of label stock may damage the printer due to the labels peeling off during the printing process.

## Storing Paper

Store paper under the following conditions to maintain quality.

- Inside a cabinet or other dry and dark place
- On a flat surface
- Temperature: 20°C
- Humidity: 50% RH (relative humidity)

Do not store in the following locations.

- Directly on the floor
- In direct sunlight
- Near the inside of an exterior wall
- On an uneven surface
- Where static electricity may be generated
- In places that are excessively hot or where temperature rapidly changes
- Near a copier, air conditioner, heater, or duct

**Note**

- Do not unwrap the paper until you are ready to use the paper.
- Do not leave paper unwrapped for a long period. Doing so may result in paper handling and print quality issues.
- Depending on a media you use, usage conditions and a storing conditions, a decrease in paper quality or curling of the paper may occur.

## Paper Loaded on the Tray

Your printer has two built-in trays (tray 1 and the MP tray). Refer to the list below to check the supported paper and capacities of each tray.

Tray	Supported paper size	Paper capacity	Paper weight
Tray1	<ul style="list-style-type: none"> <li>• A3</li> <li>• A4</li> <li>• A5</li> <li>• A6</li> <li>• B4</li> <li>• B5</li> <li>• B6</li> <li>• Tabloid</li> <li>• Letter</li> <li>• Legal 13"</li> <li>• Legal 13.5"</li> <li>• Legal 14"</li> <li>• Executive</li> <li>• Statement</li> <li>• 8.5"SQ</li> <li>• Folio</li> <li>• 8K (260 x 368 mm)</li> <li>• 8K (270 x 390 mm)</li> <li>• 8K (273 x 394 mm)</li> <li>• 16K (184 x 260 mm)</li> <li>• 16K (195 x 270 mm)</li> <li>• 16K (197 x 273 mm)</li> <li>• Custom Size</li> </ul>	300 sheets (when paper weight is 80 g/m <sup>2</sup> )	<ul style="list-style-type: none"> <li>• Light (64 to 82 g/m<sup>2</sup>)</li> <li>• Medium Light (83 to 90 g/m<sup>2</sup>)</li> <li>• Medium (91 to 105 g/m<sup>2</sup>)</li> <li>• Heavy (106 to 128 g/m<sup>2</sup>)</li> <li>• Ultra Heavy1 (129 to 188 g/m<sup>2</sup>)</li> <li>• Ultra Heavy2 (189 to 220 g/m<sup>2</sup>)</li> </ul>
MP Tray	<ul style="list-style-type: none"> <li>• A3</li> <li>• A4</li> <li>• A5</li> <li>• A6</li> <li>• B4</li> <li>• B5</li> <li>• B6</li> <li>• B6 Half</li> <li>• Tabloid</li> <li>• Letter</li> <li>• Legal 13"</li> <li>• Legal 13.5"</li> <li>• Legal 14"</li> <li>• Executive</li> <li>• Statement</li> <li>• 8.5"SQ</li> <li>• Folio</li> <li>• 8K (260 x 368 mm)</li> <li>• 8K (270 x 390 mm)</li> <li>• 8K (273 x 394 mm)</li> <li>• 16K (184 x 260 mm)</li> <li>• 16K (195 x 270 mm)</li> <li>• 16K (197 x 273 mm)</li> <li>• Index Card</li> <li>• Photo (4 x 6 inch)</li> <li>• Photo (5 x 7 inch)</li> <li>• Custom Size</li> </ul>	<ul style="list-style-type: none"> <li>• 100 sheets (when paper weight is 80 g/m<sup>2</sup>)</li> </ul>	<ul style="list-style-type: none"> <li>• Light (64 to 82 g/m<sup>2</sup>)</li> <li>• Medium Light (83 to 90 g/m<sup>2</sup>)</li> <li>• Medium (91 to 105 g/m<sup>2</sup>)</li> <li>• Heavy (106 to 128 g/m<sup>2</sup>)</li> <li>• Ultra Heavy1 (129 to 188 g/m<sup>2</sup>)</li> <li>• Ultra Heavy2 (189 to 220 g/m<sup>2</sup>)</li> <li>• Ultra Heavy3 (221 to 256 g/m<sup>2</sup>)</li> </ul>

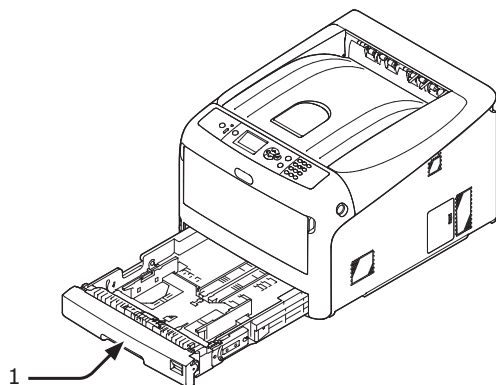
# ● How to Print from the Tray

The following procedure explains how to load paper in tray 1.

Memo

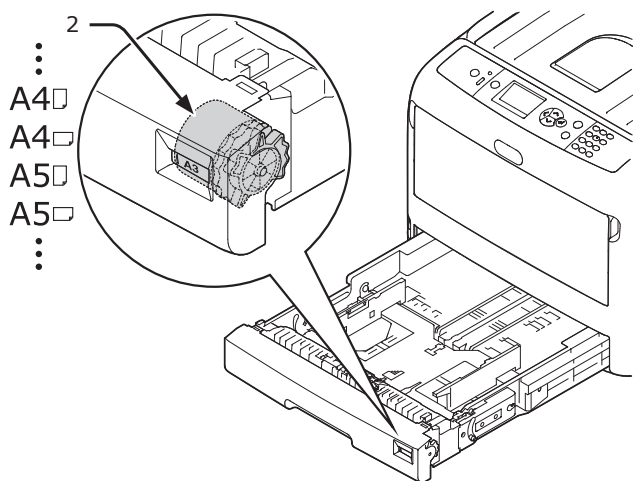
- This procedure explains to load paper in tray 1.

**1** Pull out the paper tray (1).

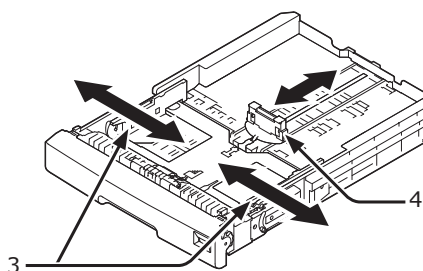


**2** Set the paper size dial (2) to match the size of the paper to be loaded.

Set the dial to [A4 ] when loading A4 size paper in horizontal orientation.

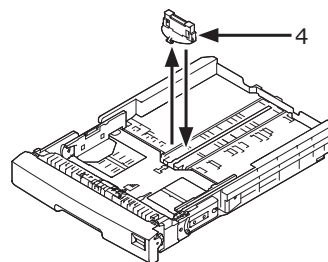


**3** Slide the paper guide (3) and paper stopper (4) to the size of paper to be loaded.

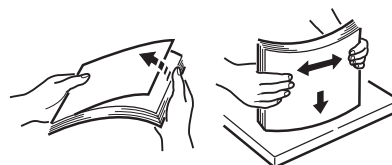


Note

- When loading A6 size paper, move the paper stopper (4) forward and remove it once, then install it on the metal part.



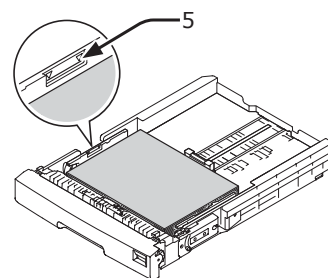
**4** Flex paper back and forth, and then fan it. Straighten the edges of the paper stack on a level surface.



**5** Load paper with the print side face down and press it from above.

Note

- Do not load paper exceeding the [▼] mark (5) of the paper guide.



**6** Secure the loaded paper with the paper guide.

**7** Check if a size of loaded paper matches the setting of paper size dial.

**8** Return the paper tray to the printer.

Memo

- If loading a paper that you cannot select the size with a paper size dial options, set the dial to [Other], and then set a paper size on the operator panel.

**9** Open a file you want to print, and print it.

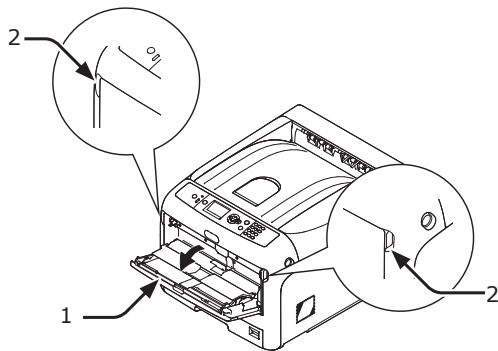
## ● How to Print from the MP Tray

This procedure explains how to load paper in the MP tray.

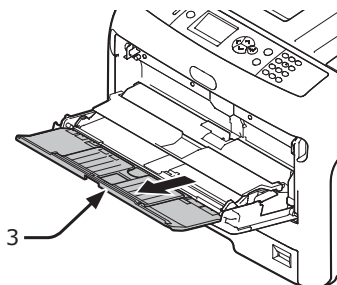
### ! Note

- Do not load paper of different sizes, types or weights at the same time.
- When adding paper, remove the paper on the MP tray and straighten the edges of both stacks of paper, and then load them again.
- Do not put anything other than paper for printing in the MP tray.

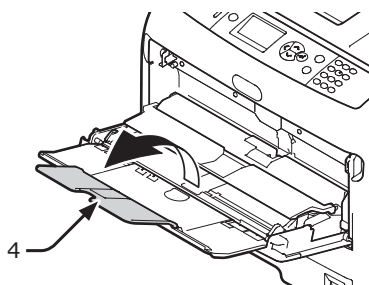
- 1** Open the MP tray (1) forward by inserting your fingers into the front recesses (2).



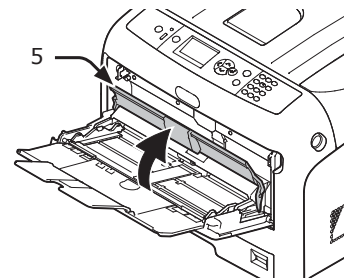
- 2** Pull out the paper support (3) by holding the center part of it.



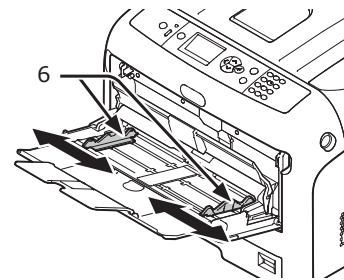
- 3** Unfold the sub support (4).



- 4** Open the paper set cover (5).



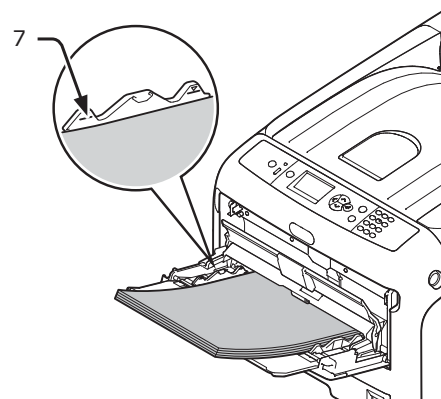
- 5** Adjust the manual feeding paper guide (6) to the width of paper to be loaded.



- 6** Insert the paper with the print side face up.

### ! Note

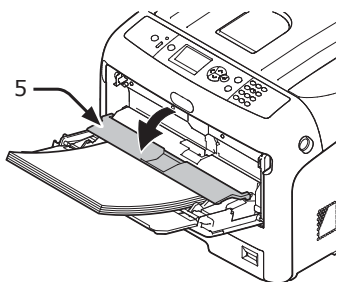
- Do not load paper exceeding the [▼] mark (7) of the paper guide.



**Note**

- The paper may be wrinkled or curled after printing.
- Use paper stored in proper temperature and humidity conditions. Do not use paper that is curled or waved because of humidity.
- Do not print on the back side of paper on which other printer has printed.
- Curling of a postcard or an envelope may cause the ink absorbing problem. Use paper that is not curled. Correct a paper Curling within 2 mm.

**7** Close the paper set cover (5).

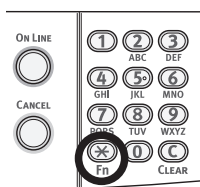


If always printing on same size or type paper from the MP tray, register the paper on the operator panel. If printing once, proceed to the step 18.

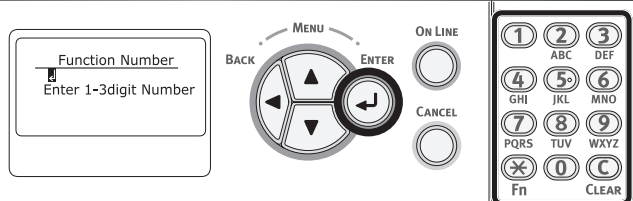
**Note**

- When a printer is in the power saving mode, press the **<POWER SAVE>** button to restore from the mode.
- Make sure that the message **"Ready To Print"** is displayed in the operator panel. If the message is not displayed, press the **<ON LINE>** button.

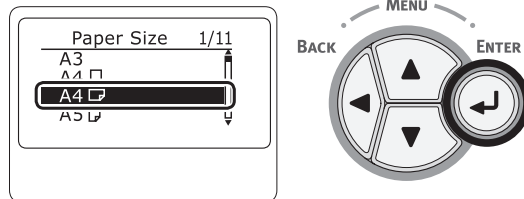
**8** Press the **<Fn>** key.



**9** Enter "90" using the numeric keypad and then press the **<ENTER>** button.



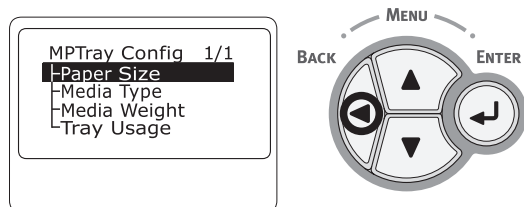
**10** When **[Paper Size]** is displayed, select the size of the loaded paper and then press the **<ENTER>** button.



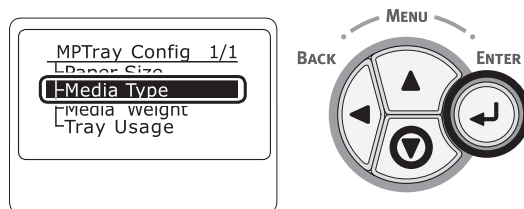
**Reference**

- If **[Custom]** is selected for **[Paper Size]**, you need to register the custom size. For how to register the custom size, refer to **"Printing in Custom Sizes"** P.52.

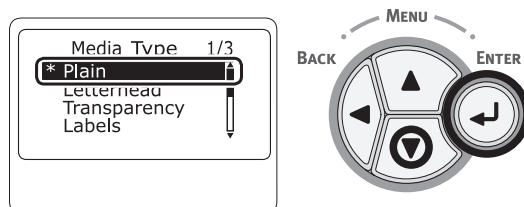
**11** Press the **<BACK>** button until **[MPTray Config]** is displayed.



**12** Press the scroll button **▼** to select **[Media Type]** and then press the **<ENTER>** button.

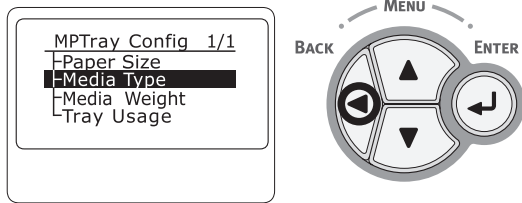


**13** Press the scroll button **▼** to select the type of the loaded paper and then press the **<ENTER>** button.

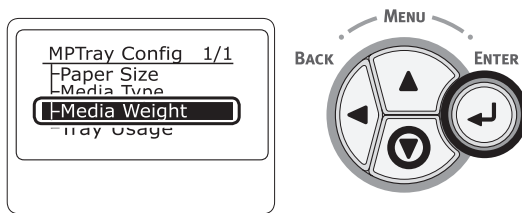




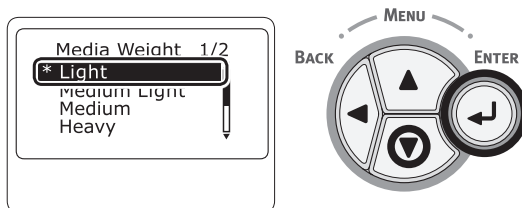
- 14 Press the <**BACK**> button to display the [**MPTray Config**].



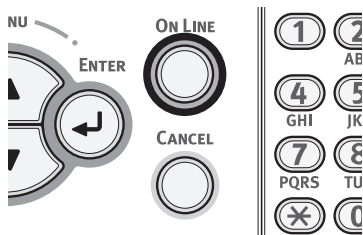
- 15 Press the scroll button ▼ to select [**Media Weight**] and then press the <**ENTER**> button.



- 16 Press the scroll button ▼ to select the weight of the loaded paper and then press the <**ENTER**> button.



- 17 Press the <**ON LINE**> button to exit the menu mode.



- 18 Open the file you want to print, and print it by following the procedures below.

## For Windows PS Printer Driver

- 1 From the [**File**] menu, select [**Print**].
- 2 Click [**Preferences**] or [**Properties**].
- 3 Select the [**Paper/Quality**] tab.
- 4 Select [**Multi-Purpose Tray**] from [**Paper Source**].
- 5 Click [**Advanced**].
- 6 Click [**Paper Size**] and select a paper size from the drop-down list.
- 7 Click [**OK**].
- 8 Start printing.

## For OS X PS Printer Driver

- 1 From the [**File**] menu, select [**Print**].
- 2 Select the paper size from [**Paper Size**].
- 3 Select [**Paper Feed**] from the panel menu.
- 4 Select [**All pages From**] and then select [**Multi-Purpose Tray**].
- 5 Start printing.

### Memo

- If setting details are not displayed in the print dialog box for OS X, click [**Show Details**] at the bottom of the dialog box.

## ● Printing in Custom Sizes

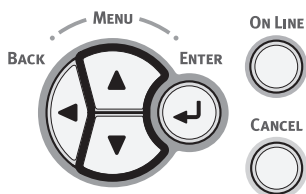
To load custom size paper, you need to register the width and length of the paper before printing. The range of the sizes you can set differs according to the paper tray.

Tray	Available size range
Tray1	Width: 105 to 297 mm (4.1 to 11.7 inches) Length: 148, 182 to 431 mm (5.8, 7.2 to 17.0 inches)
MP tray	Width: 64 to 297 mm (2.5 to 11.7 inches) Length: 90 to 431 mm (3.5 to 17.0 inches)

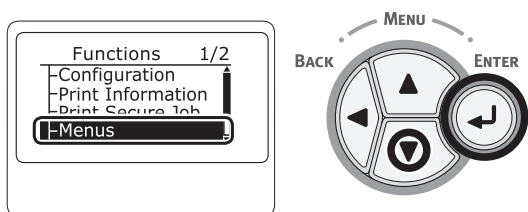
**! Note**

- [Custom] is displayed only when [Paper Size] is set to [Custom].

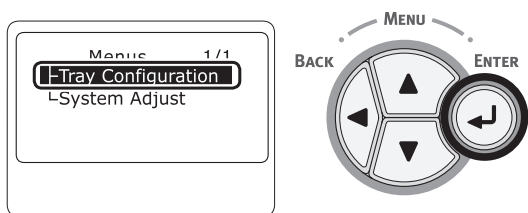
1 Press the scroll button ▼ or ▲ on the operator panel.



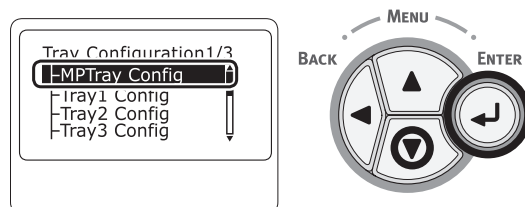
2 Press the scroll button ▼ several times to select [Menus] and press the <ENTER> button.



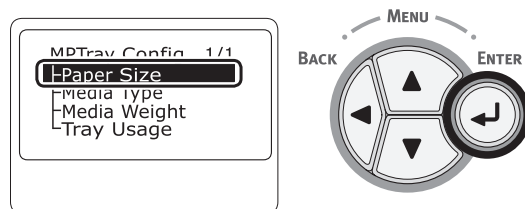
3 Check that [Tray Configuration] is selected and press the <ENTER> button.



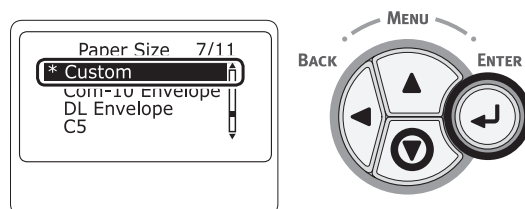
4 Press the scroll button ▼ several times to select [MPTray Config] of the paper tray in which you loaded paper and then press the <ENTER> button.



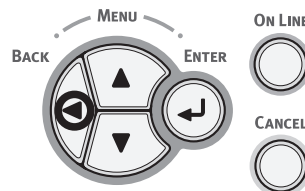
5 Check that [Paper Size] is selected and press the <ENTER> button.



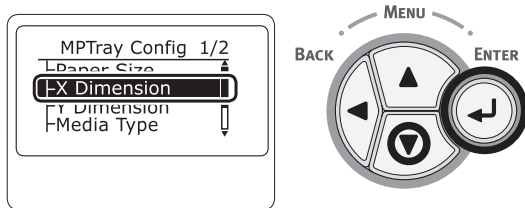
6 Press the scroll button ▼ several times to select [Custom] and then press the <ENTER> button.



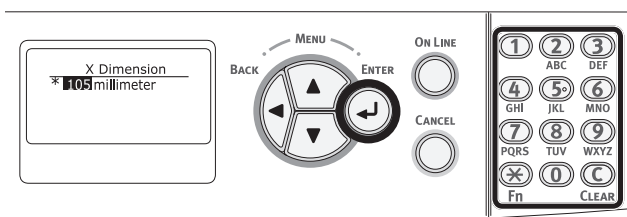
7 Press the <BACK> button.



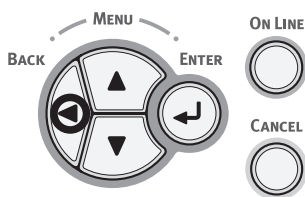
- 8 Press the scroll button ▼ to select [X Dimension] and then press the <ENTER> button.



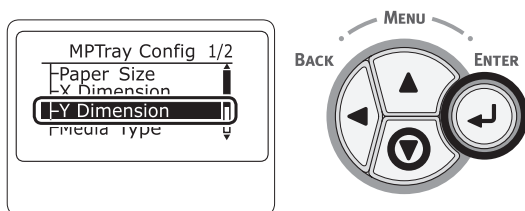
- 9 Enter the paper width value using the numeric keypad and then press the <ENTER> button.



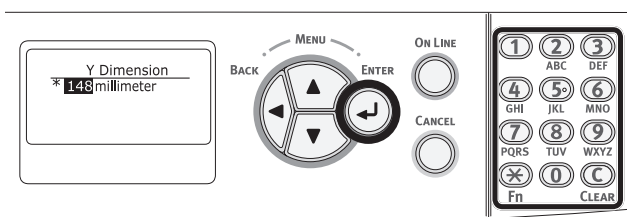
- 10 Press the <BACK> button.



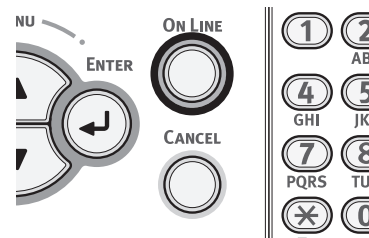
- 11 Press the scroll button ▼ to select [Y Dimension] and then press the <ENTER> button.



- 12 Enter the paper length value using the numeric keypad and then press the <ENTER> button.



- 13 Press the <ON LINE> button to exit the menu mode.



- 14 Specify a custom in the following procedures.

### For Windows PS Printer Driver

- 1 Click [Start] and select [Devices and Printers].
- 2 Right-click the *Your Printer* icon and select the type of driver you want to specify from [Printing preferences].
- 3 On the [Layout] tab, click [Advanced].
- 4 Click [Paper Size] and select [PostScript Custom Page Size] from the drop-down list.
- 5 Enter the dimensions in the [Width] and [Height] boxes, and press [OK].
  - ! Note
    - [Offsets Relative to Paper Feed Direction] is not available.
- 6 Press [OK] until the [Printing preferences] dialog box is closed.
- 7 Open the file you want to print from the application.
- 8 Select [PostScript Custom Page Size] for a paper size and start printing on the printer driver.

### For OS X PS Printer Driver

**Note**

- In the OS X printer driver, paper size out of the available range can be set, however, image is not correctly printed. set paper size within available range.

- 1 Open the file you want to print.
- 2 From the [**File**] menu, select [**Page Setup**].
- 3 Select [**Manage Custom Sizes**] from [**Paper Size**].
- 4 Click [**+**] to add an item to the list of custom paper sizes.
- 5 Double-click [**Untitled**] and enter a name for the custom paper size.
- 6 Enter the dimensions in the [**Width**] and [**Height**] boxes.
- 7 Click [**OK**].
- 8 Click [**OK**].
- 9 From the [**File**] menu, select [**Print**].
- 10 Configure other settings if necessary and then start printing.

Open the file you want to print, and print it in the following procedures.

### For Windows PS Printer Driver

- 1 From the [**File**] menu, select [**Print**].
- 2 Click [**Preferences**] or [**Properties**].
- 3 Select the [**Paper/Quality**] tab.
- 4 Select [**Multipurpose Tray**] from [**Paper Source**].
- 5 Click [**Advanced**].
- 6 Click [**Paper Size**] and select a paper size from the drop-down list.
- 7 Click [**OK**].
- 8 Start printing.

### For OS X PS Printer Driver

- 1 From the [**File**] menu, select [**Print**].
- 2 Select the paper size from [**Paper Size**].
- 3 Select [**Paper Feed**] from the panel menu.
- 4 Select [**All pages From**] and then select [**Multi-Purpose Tray**].
- 5 Start printing.

**Memo**

- If setting details are not displayed in the print dialog box for OS X, click [**Show Details**] at the bottom of the dialog box.

## ● Paper Output

Your printer outputs to the output tray or rear output tray. Paper types that can be outputted to each stacker are as follows.

Output Stacker	Supported paper type	Paper output capacity
Output Tray	<ul style="list-style-type: none"> <li>• Plain paper</li> <li>• Recycled paper</li> </ul>	<ul style="list-style-type: none"> <li>• 200 sheets (when paper weight is less than 80 g/m<sup>2</sup>)</li> </ul>
Rear Output Tray	<ul style="list-style-type: none"> <li>• Plain paper</li> <li>• Recycled paper</li> <li>• Index card</li> </ul>	<ul style="list-style-type: none"> <li>• 100 sheets (when paper weight is less than 80 g/m<sup>2</sup>)</li> <li>• 10 sheets (Ultra Heavy paper and envelopes)</li> </ul>

### ! Note

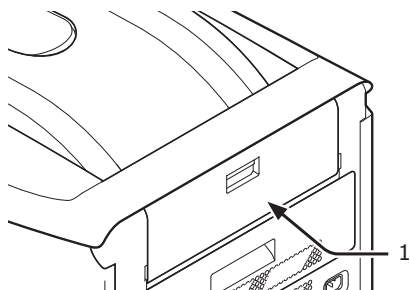
- Do not open or close the rear output tray while printing as it may result in a paper jam.

### ■ Using the Output Tray

Paper is delivered with the print side face down, stacked in the order printed.

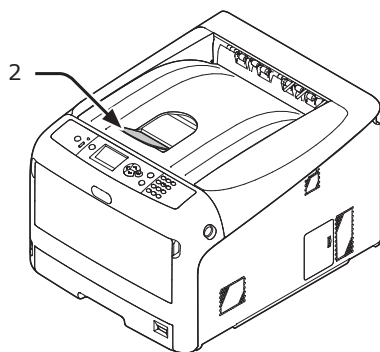
### ! Note

- Check that the rear output tray (1) on the rear side of the printer is closed. If the rear output tray is open, paper is always outputted to the rear output tray.



### Memo

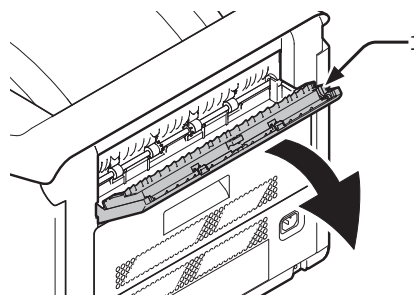
- Open the paper supporter (2) so that the printed papers do not fall down from the output tray.



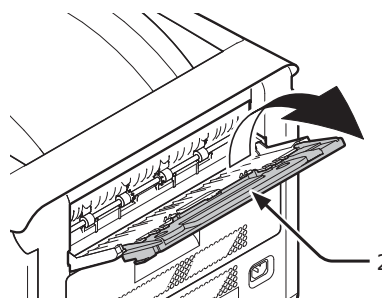
### ■ Using the Rear Output Tray

Paper is delivered with the print side face up, stacked opposite the order printed.

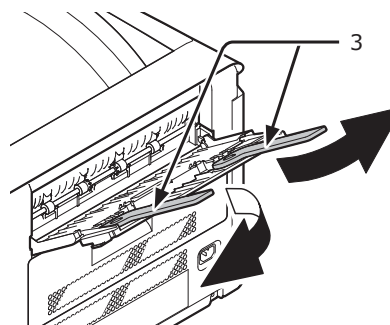
- 1 Pull the rear output tray (1) on the rear side of the printer and open it outward.



- 2 Unfold the paper support (2).



- 3 Open the sub support (3).



## ● Convenient Print Functions

The following convenient print functions are available. For details, refer to the User's Manual (Advanced).

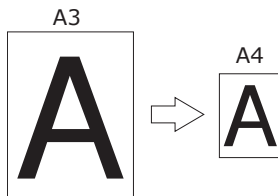
2

2. Printing Basic Operation

### ■ Printing on Custom Size Paper

You can register customized paper sizes to the printer driver so you can print on nonstandard paper such as banners.

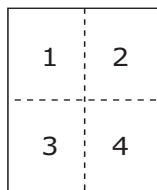
- Printing on custom size paper



### ■ Changing the Page Layout

You can change the page layout to multiple print.

- Multiple print



### ■ Scaling to Pages

You can print data formatted for one size page onto a different size page without modifying the print data.

### ■ Changing Print Quality (Resolution)

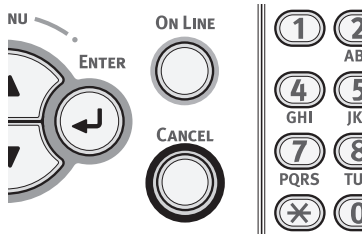
You can change the print quality to suit your needs.



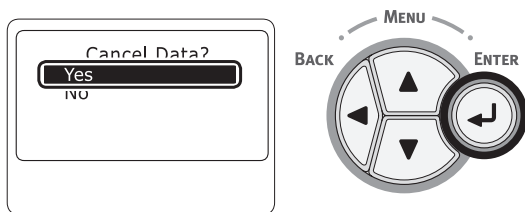
- There are many convenient print functions in addition to those above. Refer to the User's Manual (Advanced).

## ● Canceling Printing

Press the <**CANCEL**> button on the operator panel to cancel print jobs being currently printed or preparing for a print.



When you press the <**CANCEL**> button is pressed, the following message appears.



To cancel printing, select [**Yes**] and then press the <**ENTER**> button.

To proceed to printing, select [**No**] and then press the <**ENTER**> button.

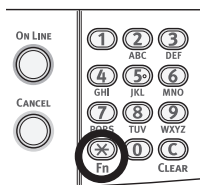
If a printer is not operated for about 3 minutes while this message appears, the message will go out and printing proceeds.

# ● Setting the Time that Elapses Before Entering the Power Save Mode

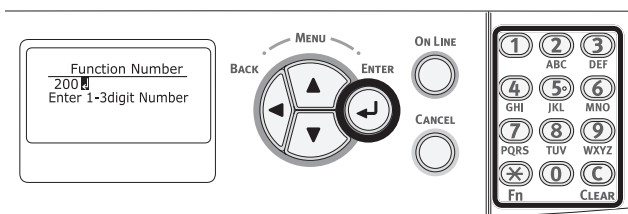
**! Note**

- When a printer is in the power saving mode, press the <POWER SAVE> button to restore from the mode.
- Check if the message "Ready To Print" appears. If the message is not displayed, press the <ON LINE> button.

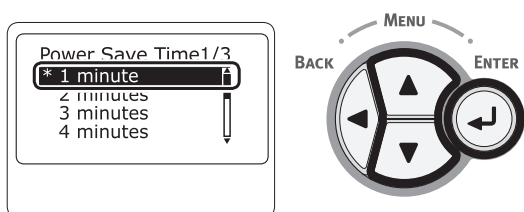
1 Press the <Fn> key on the operator panel.



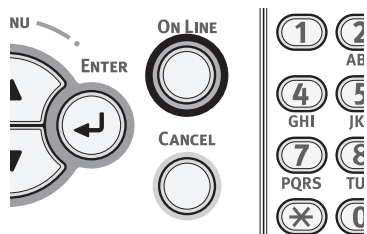
2 Enter "200" using the numeric keypad and then press the <ENTER> button.



3 Press the scroll button ▼ or ▲ to specify the time and then press the <ENTER> button.



4 Press the <ON LINE> button.



**Memo**

- The power save time can be selected from the followings:
  - [1 minute]
  - [2 minutes]
  - [3 minutes]
  - [4 minutes]
  - [5 minutes]
  - [10 minutes]
  - [15 minutes]
  - [30 minutes]
  - [60 minutes]

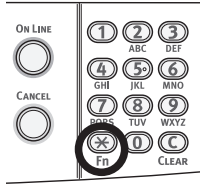


# ● Setting the Time that Elapses Before Entering the Deep Sleep Mode

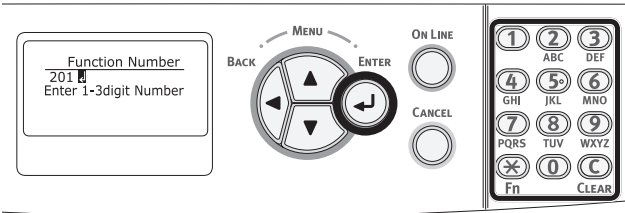
**! Note**

- When a printer is in the deep sleep mode, press the <POWER SAVE> button to restore from the mode.
- Check if the message "Ready To Print" appears. If the message is not displayed, press the <ON LINE> button.

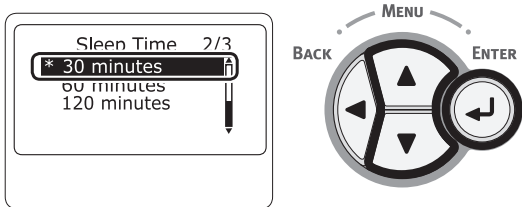
1 Press the <Fn> key on the operator panel.



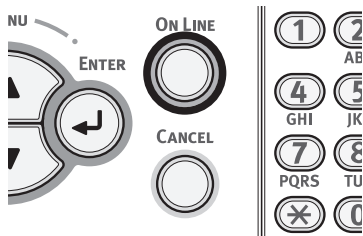
2 Enter "201" using the numeric keypad and then press the <ENTER> button.



3 Press the ▼ or ▲ to specify the time and then press the <ENTER> button.



4 Press the <ON LINE> button.



**Memo**

- The sleep time can be selected from the followings:
  - [1 minute]
  - [2 minutes]
  - [3 minutes]
  - [4 minutes]
  - [5 minutes]
  - [10 minutes]
  - [15 minutes]
  - [30 minutes]
  - [60 minutes]

## Constraints When in Deep Sleep Mode

This section explains constraints when in the deep sleep mode.

The printer may not enter the deep sleep mode if an error is displayed.

### Printer Driver Utility Constraints

When the printer goes into the deep sleep mode, the following constraints apply to the printer driver and utility functions.

When the printer goes into the deep sleep mode, press the <**POWER SAVE**> button on the control panel and check that the screen displays the message "**Ready To Print**".

If the message "**Ready To Print**" is displayed, the following constraints do not apply.

OS	Software Name	Constraints When in the Deep Sleep Mode	Method of resolving other than to press the <POWER SAVE> button
Windows	Driver Installer	If there is a connection with the network, you cannot automatically get printer option information when installing a driver.	-

## Network Function Constraints

In the deep sleep mode, the following constraints apply to network functions.

### ■ Does Not Enter the Deep Sleep Mode

In the following cases, a printer will not enter the deep sleep mode.

- IPsec is enabled.
- A TCP connection is established.

E.g.: A connection is established with Telnet or FTP.

When the transition time to enter Deep Sleep mode from Power Save mode elapses and the connection is disconnected, the machine enters Deep Sleep mode.

- E-mail reception is enabled.
- Wireless LAN is enabled.
- LLTD is enabled.
- HUB Link Status is 1000BASE-T.
- IPv6 Global Address is assigned.

### ■ Cannot Print

In the deep sleep mode, you cannot print with the following protocols.

- NBT

### ■ Cannot Search/Cannot Specify Settings

In the deep sleep mode, you cannot search or specify settings with the following functions or protocols.

- NBT
- PnP-X
- UPnP
- MIB\*

\* You can reference through some supported MIB in the deep sleep mode (Get command).

### ■ Protocols with the Client Functions Do Not Work

In the deep sleep mode, the following protocols with client functions will not work.

- E-mail alerts\*<sup>1</sup>
- SNMP Trap
- WINS\*<sup>2</sup>
- SNTP\*<sup>3</sup>

\*1 Time that passes in the deep sleep mode is not included in the interval for periodic notification by e-mail alert.

\*2 Time that passes in the deep sleep mode is not included in the intervals between WINS updates. Regular WINS updates are not carried out in the deep sleep mode, so the names registered on the WINS server may be deleted.

\*3 Time that passes in the deep sleep mode is not included in the interval between update for NTP servers.

# ● Settings for Turning Power Off Automatically (Auto Power Off)

2

2. Printing Basic Operation

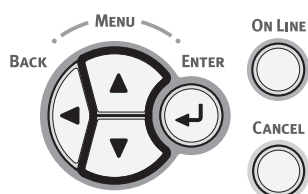
**! Note**

- In the factory default, a printer does not enter the auto power off mode while connecting to the network.

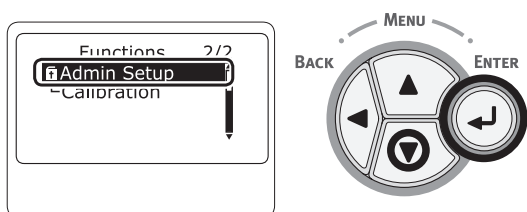
## Setting the Auto Power Off

To enable the auto power off mode while connecting to the network perform the following procedure.

- 1 Press the scroll button ▼ or ▲ on the operator panel.

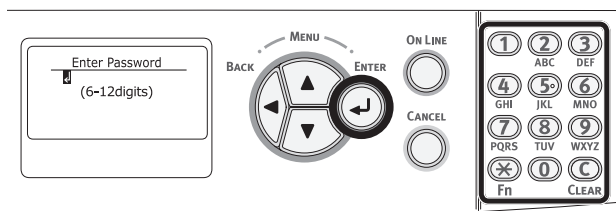


- 2 Press the scroll button ▼ several times to select [Admin Setup], and press the <ENTER> button.

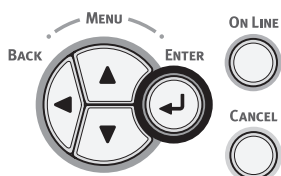


- 3 Enter the administrator password, using the numeric (0-9) keys.

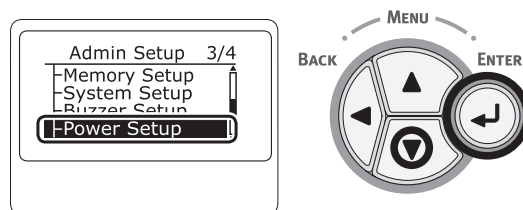
The factory default password is "999999". Press the <ENTER> button whenever inputting one character.



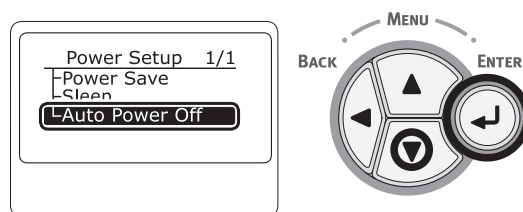
- 4 Press the <ENTER> button.



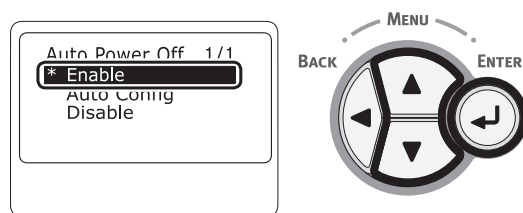
- 5 Press the scroll button ▼ several times to select [Power Setup], and press the <ENTER> button.



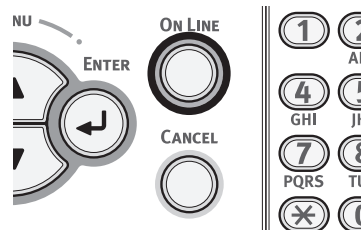
- 6 Press the scroll button ▼ several times to select [Auto Power Off], and press the <ENTER> button.



- 7 Press the scroll button ▼ or ▲ to select [Enable], and press the <ENTER> button.



- 8 Press the <ON LINE> button to exit the menu mode.

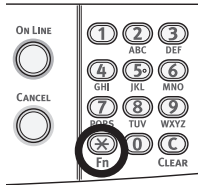


## Setting the Time that Elapses Before Entering the Auto Power Off Mode

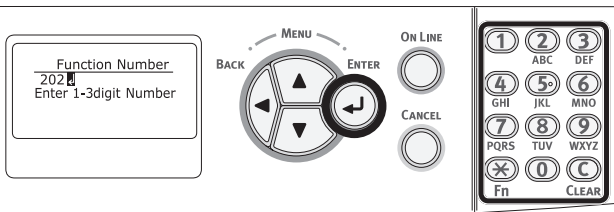
**Note**

- When a printer is in the power saving mode, press the **<POWER SAVE>** button to restore from the mode.
- Check if the message **"Ready To Print"** appears. If the message is not displayed, press the **<ON LINE>** button.

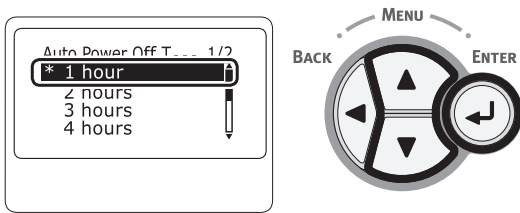
1 Press the **<Fn>** key on the operator panel.



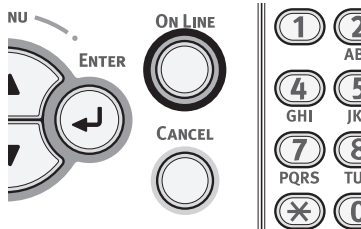
2 Enter "202" using the numeric keypad and then press the **<ENTER>** button.



3 Press the scroll button ▼ or ▲ to specify the time and then press the **<ENTER>** button.



4 Press the **<ON LINE>** button.



**Memo**

- The auto power off time can be selected from the followings:
  - [1 hour]
  - [2 hours]
  - [3 hours]
  - [4 hours]
  - [8 hours]
  - [12 hours]
  - [18 hours]
  - [24 hours]

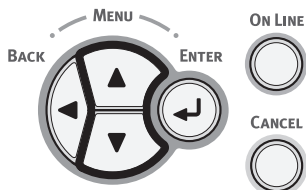
## ● Setting the Buzzer

You can set the buzzer volume when a paper jam occurs.

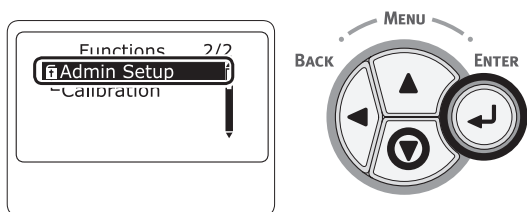
2

2. Printing Basic Operation

- 1 Press the scroll button ▼ or ▲ on the operator panel.

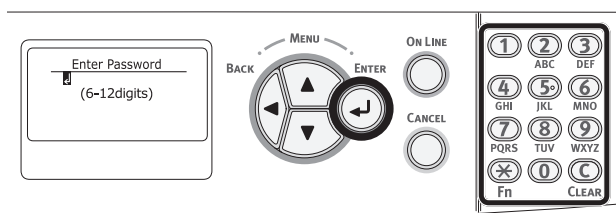


- 2 Press the scroll button ▼ several times to select [Admin Setup], and press the <ENTER> button.

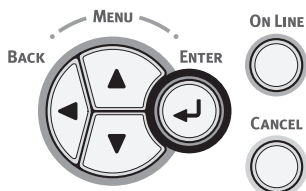


- 3 Enter the administrator password using the numeric (0-9) keys, and press the <ENTER> button.

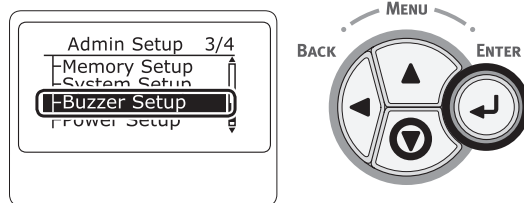
The factory default password is "999999". Press the <ENTER> button whenever inputting one character.



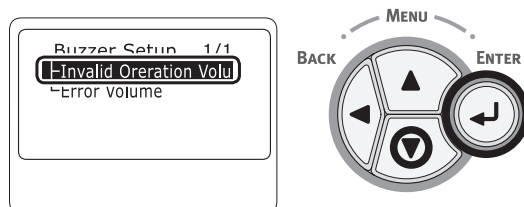
- 4 Press the <ENTER> button.



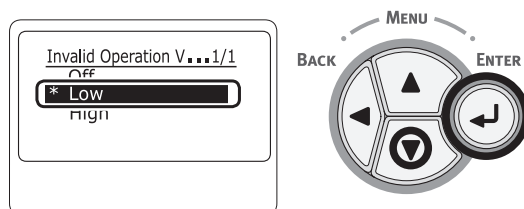
- 5 Press the scroll button ▼ several times to select [Buzzer Setup], and press the <ENTER> button.



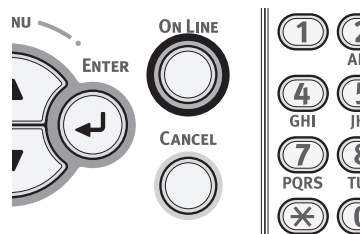
- 6 Press the scroll button ▼ several times to select [Paper Jam Error Buzzer Volume], and press the <ENTER> button.



- 7 Press the scroll button ▼ several times to select a volume level, and press the <ENTER> button.



- 8 Press the <ON LINE> button to exit the menu mode.



# 3. Troubleshooting

This chapter provides solutions to the problems you may encounter while operating your printer.

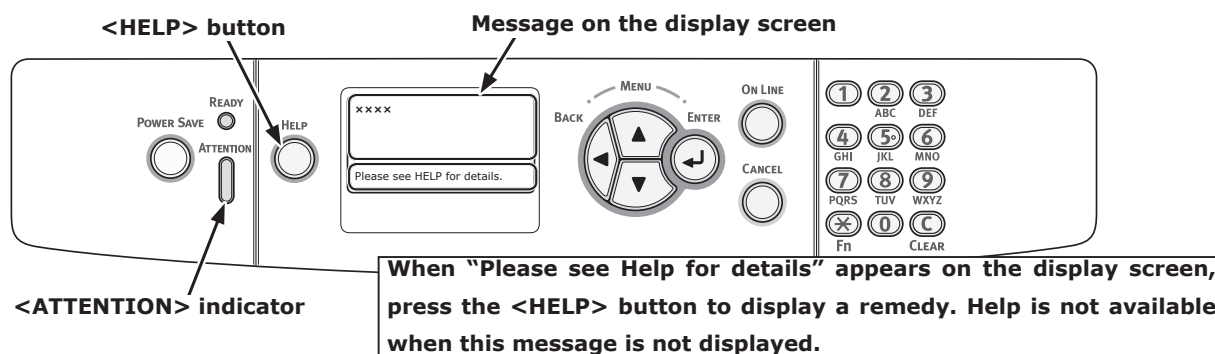
**Memo**

- Meanings of symbols in error messages:
  - "%COLOR%" indicates Cyan (C), Magenta (M), Yellow (Y) or White (W).
  - "%TRAY%" indicates tray 1 or the MP tray.
  - "%COVER%" indicates a front cover or output tray.
  - "%CODE%" indicates a code number displayed in 1 to 3 digits. A code number changes according to an error.
  - "%MEDIA\_SIZE%" indicates paper size.
  - "%MEDIA\_TYPE%" indicates a paper type.
- When the message "**Please see Help for details**" appears on the display screen, you can check an error code and remedy error by pressing the **<HELP>** button on the operator panel.

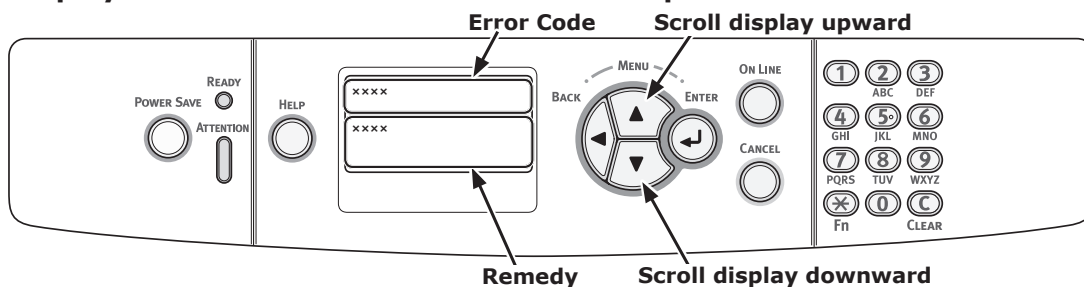
## • When an Error Message Appears on the Display Screen (When the ATTENTION Indicator Lights Up/Blinks)

When a printer problem occurs, an error message appears on the display screen and the **<ATTENTION>** indicator on the operator panel lights up or blinks. Check the error message and deal with the problem according to the relevant procedure.

When "**Please see Help for details**" appears on the display screen, press the **<HELP>** button to display a remedy.



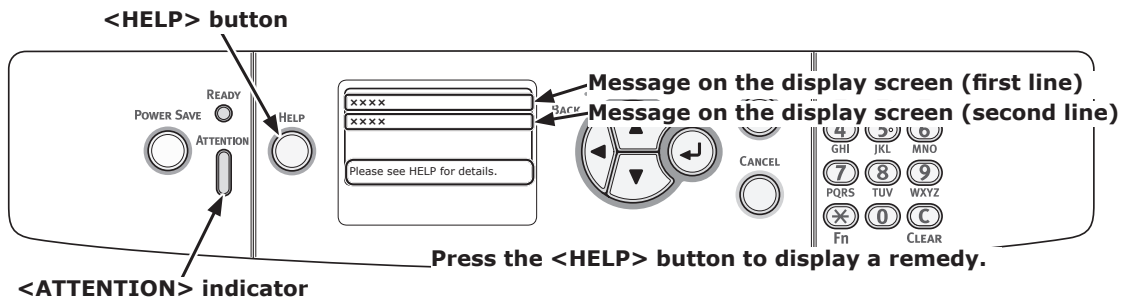
### Display Screen when the <HELP> button is pressed



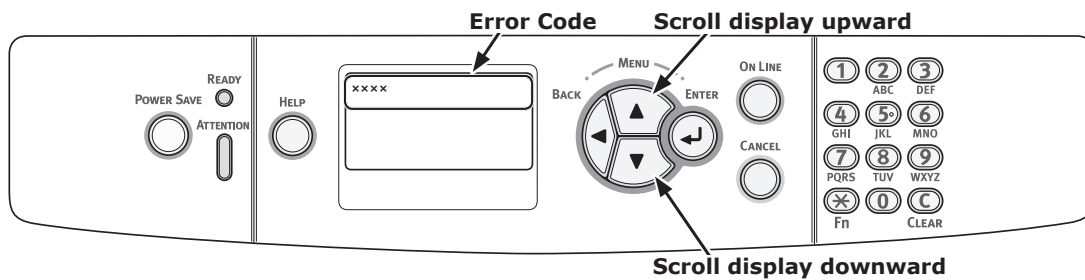
# • When Paper Jams Occurs/When an Error Message does not Disappear Even After Jammed Paper is Removed

When paper is jammed inside a printer or when an error message does not disappear even after jammed paper is removed, an error message appears on the display screen.

Press the <HELP> button to display a remedy. Remove jammed paper according to the remedy displayed or the relevant procedure described in the following list.



## Display Screen when the <HELP> button is pressed



Status	Message on the Display Screen		Message displayed after the <HELP> button is pressed	Reference Page
			Error Code	
Paper jams	1st Line	Open Cassette	391, 392, 393, 394	<a href="#">page 72</a>
	2nd Line	Paper Jam		
	3rd Line	%TRAY%		
	1st Line	Open Cover	380	
	2nd Line	Paper Jam	390	<a href="#">page 71</a>
	3rd Line	Front Cover		
	1st Line	Open Cover	381	<a href="#">page 68</a>
	2nd Line	Paper Jam		
	3rd Line	Output Tray		
Paper jams	1st Line	Open Cover	382, 383	<a href="#">page 69</a>
	2nd Line	Paper Jam		
	3rd Line	Output Tray	401	<a href="#">page 67</a>
	1st Line	Check Paper		
	2nd Line	Paper Multi Feed		
	3rd Line	%TRAY%		

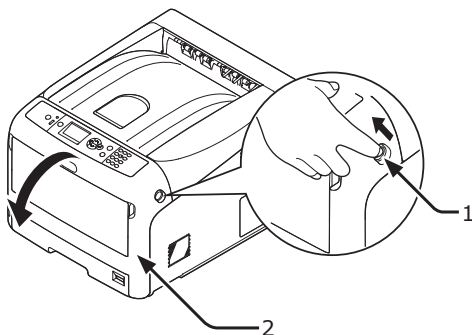


Status	Message on the Display Screen		Message displayed after the <HELP> button is pressed	Reference Page
			Error Code	
A message does not disappear.	1st Line	Open Cassette	631, 632, 633, 634	page 72
	2nd Line	Paper Remain		
	3rd Line	%TRAY%		
	1st Line	Open Cover	637	page 71
2nd Line	Paper Remain			
3rd Line	Front Cover			
	1st Line	Open Cover	638	page 68
	2nd Line	Paper Remain		
	3rd Line	Output Tray		
	1st Line	Open Cover	639, 640	page 69
	2nd Line	Paper Remain		
	3rd Line	Output Tray		

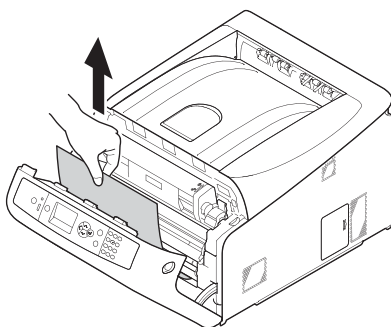
### Error Code 380, 401, 637

A paper jam has occurred around the front cover.

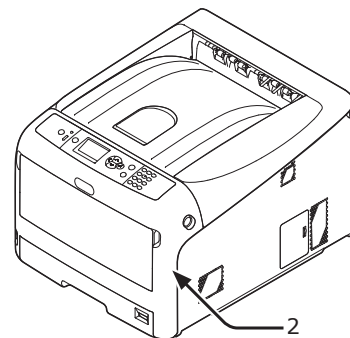
- 1 Insert your finger into the recess on the right side of the printer and pull the front cover open lever (1) to open the front cover (2) forward.



- 2 Remove the jammed paper gently in the direction of the arrow if you can see an edge of jammed paper.



- 3 Close the front cover (2).

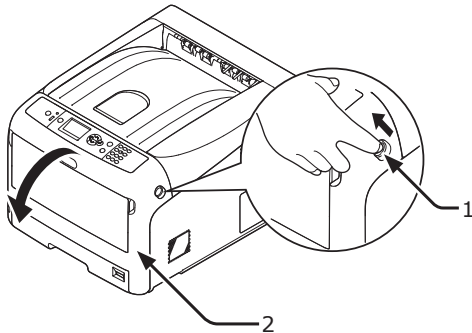


Task is complete.



## Error Code 381, 638

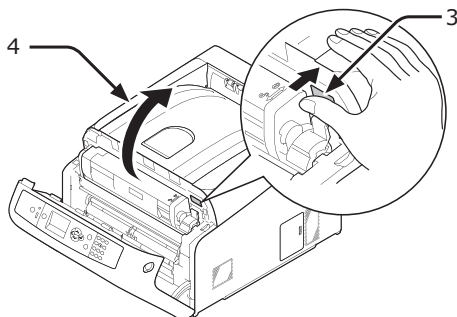
A paper jam has occurred under an image drum.

- 1 Insert your finger into the recess on the right side of the printer and pull the front cover open lever (1) to open the front cover (2) forward.

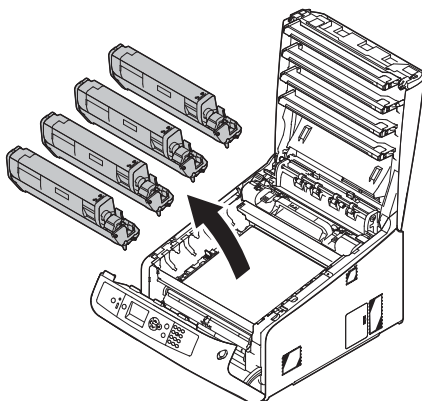


- 2 Press the output tray open button (3) and open the output tray (4).

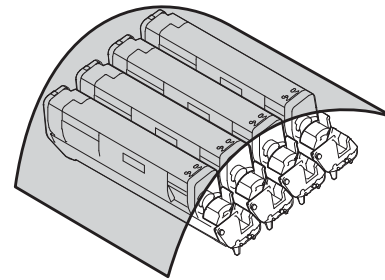
 <b>CAUTION</b>	<b>Possible to get burned.</b>	
<ul style="list-style-type: none"> <li>• The fuser unit is extremely hot. Do not touch it.</li> </ul>		



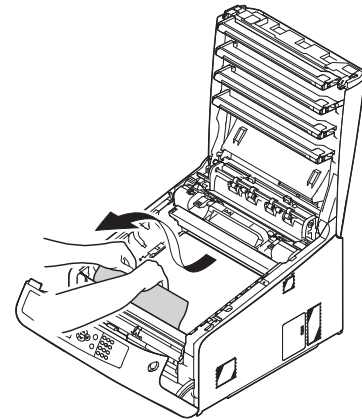
- 3 Remove all four image drums and place them on a flat surface.



- 4 Cover the removed image drums with paper so that the image drums are not exposed to light.

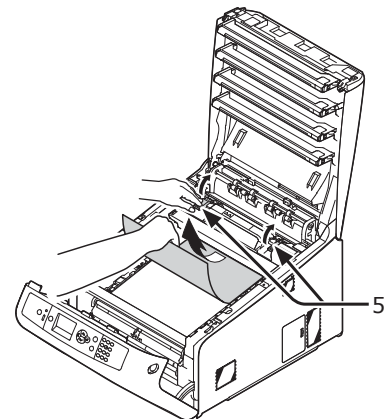


- 5 Pull out the jammed paper gently to the rear of the printer (the direction of the arrow) if an edge of jammed paper can be seen.

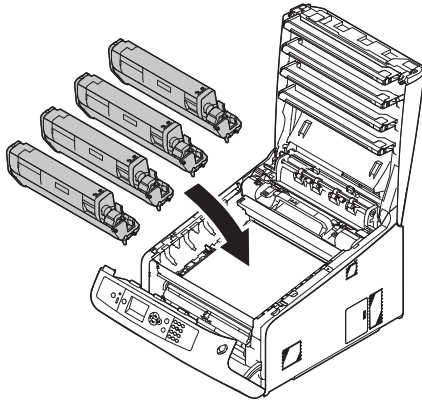


Pull out the jammed paper gently while lifting the release levers (5) on the fuser unit if an edge of jammed paper cannot be seen.

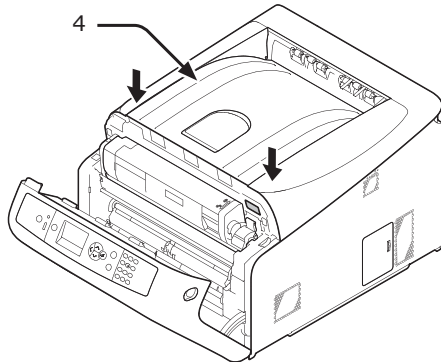
If an edge of jammed paper still remains inside the unit, pull out the jammed paper gently to the rear of the printer.



- 6 Return all four image drums into the printer carefully.



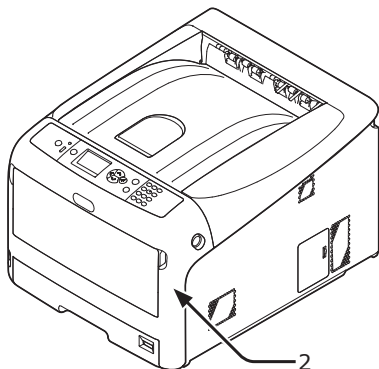
- 7 Close the output tray (4) by pushing the both sides of the cover firmly.



- 8 Close the front cover (2).

**Note**

- The front cover cannot be closed if the output tray is not closed securely.

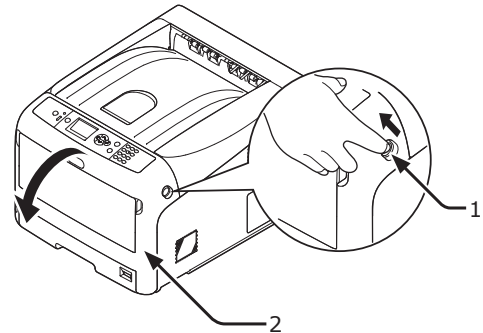


Task is complete.

**Error Code 382, 383, 639, 640**

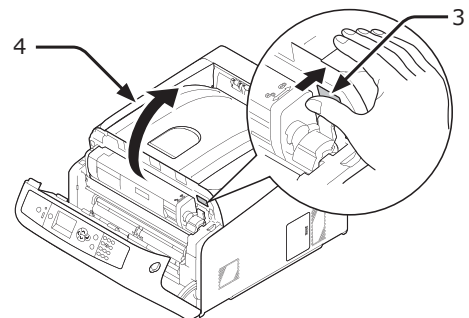
A paper jam has occurred around the fuser unit.

- 1 Insert your finger into the recess on the right side of the printer and pull the front cover open lever (1) to open the front cover (2) forward.

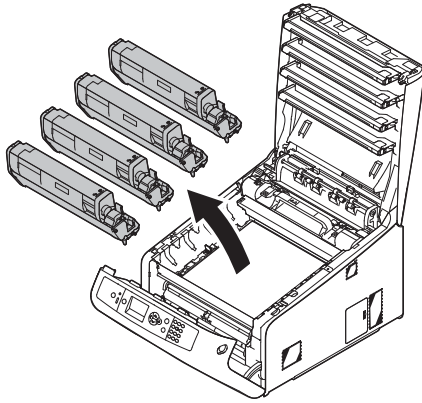


- 2 Press the output tray open button (3) and open the output tray (4).

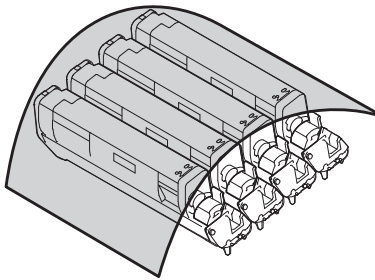
<b>CAUTION</b>	<b>Possible to get burned.</b>	
<ul style="list-style-type: none"> <li>Since the fuser unit gets hot, carry out the operation carefully, and when lifting it up you must hold it by the handle. Do not try to hold it whilst it is hot. Wait until it has cooled down and then carry out the operation.</li> </ul>		



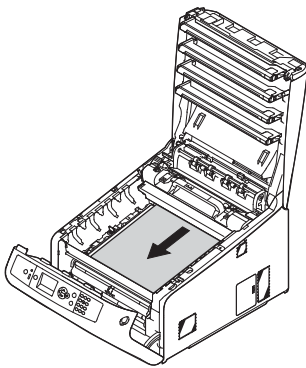
- 3 Remove all four image drums and place them on a flat surface.



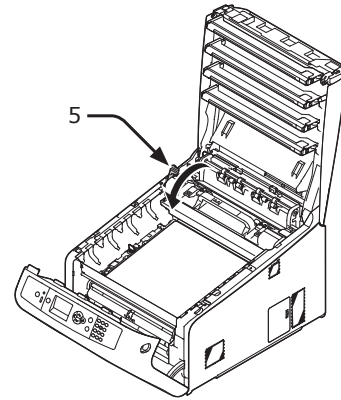
- 4 Cover the removed image drums with paper so that the image drums are not exposed to light.



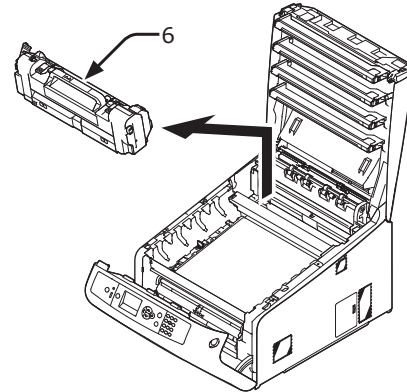
- 5 Remove the jammed paper remaining inside of the unit.



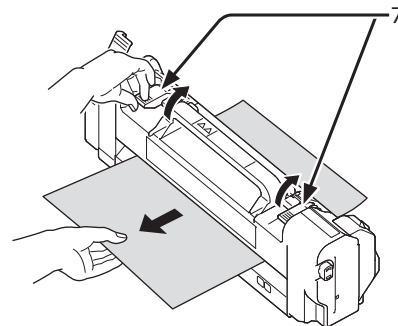
- 6 Lift the left lock lever (5) of the fuser unit forward.



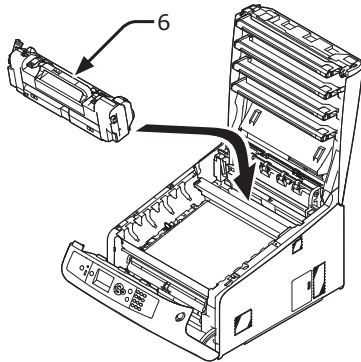
- 7 Hold the fuser unit handle (6) and lift the fuser unit out of the printer.



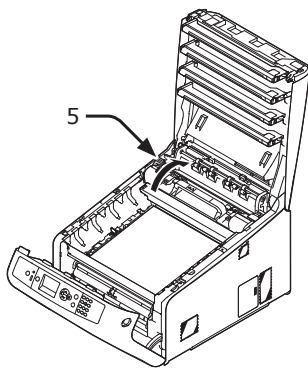
- 8 Lift the release levers (7) on the fuser unit, and pull out the jammed paper forward gently.



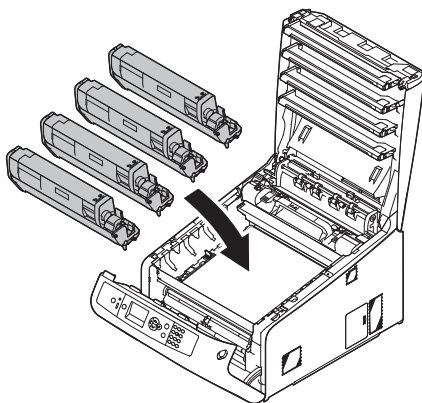
- 9 Hold the fuser unit handle (6) and place the fuser unit into the printer.



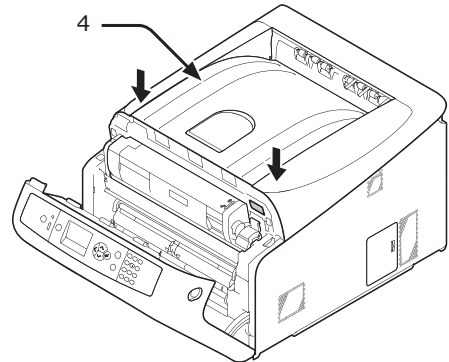
- 10 Push the left lock lever (5) of the fuser unit backward.



- 11 Return all four image drums into the printer carefully.



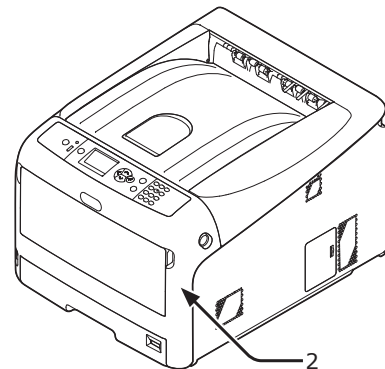
- 12 Close the output tray (4) by pushing the both sides of the cover firmly.



- 13 Close the front cover (2).

**! Note**

- Cannot close the front cover securely if the output tray is not closed.

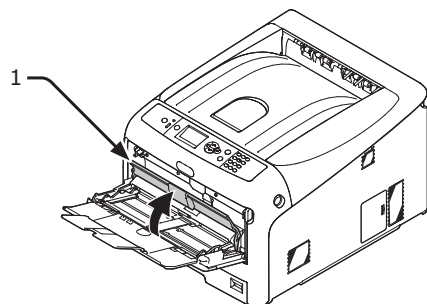


Task is complete.

**Error Code 390, 637**

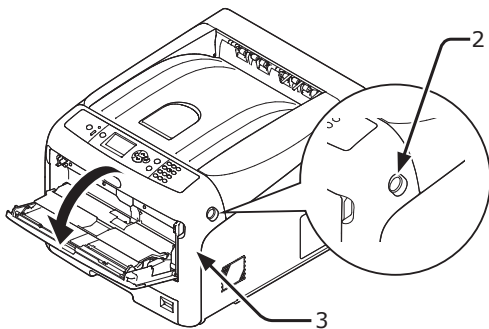
A paper jam has occurred while feeding paper from a paper tray.

- 1 If there is any paper on the MP tray, lift the paper set cover (1) and take it out.

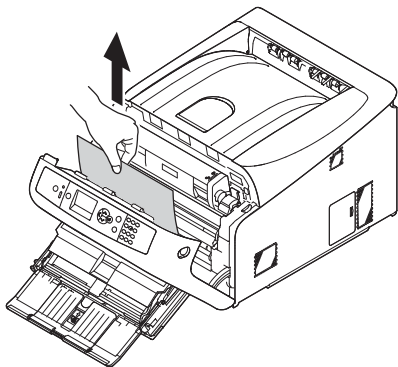




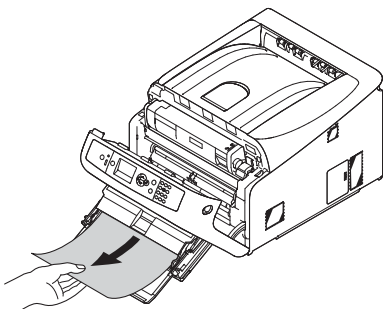
2 Insert your finger into the recess on the right side of the printer and pull the front cover open lever (2) to open the front cover (3) forward.



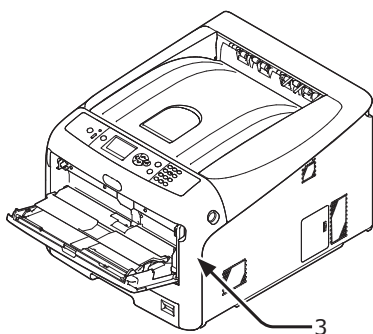
3 Remove the jammed paper gently by pulling the edge of paper.



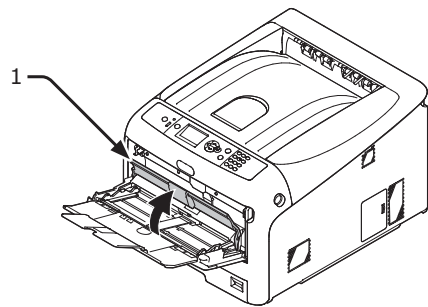
Remove the paper from the back gently if the edge of paper cannot be seen.



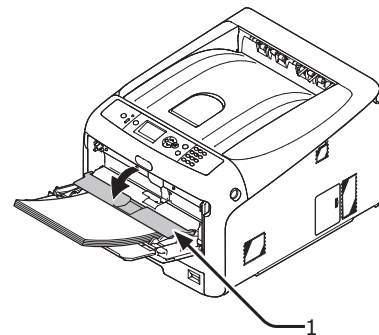
4 Close the front cover (3).



5 If loading paper on MP tray, lift the paper set cover (1) and set the paper with the print side face up.



6 Lower the paper set cover (1).



Task is complete.

**Error Code 391, 392, 393, 394, 631, 632, 633, 634**

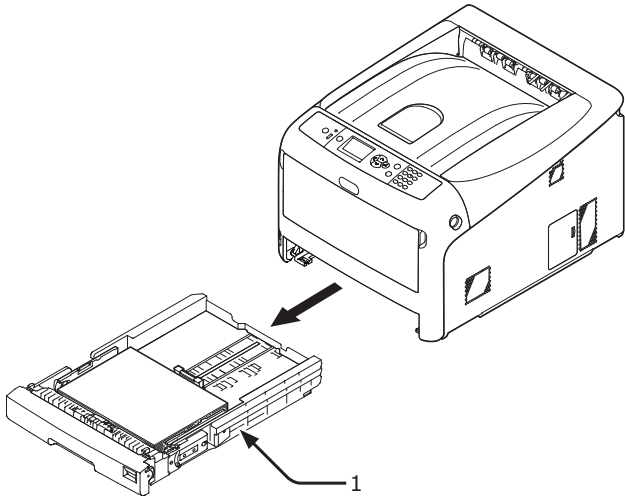
A paper jam has occurred while feeding paper from a paper tray.

**! Note**

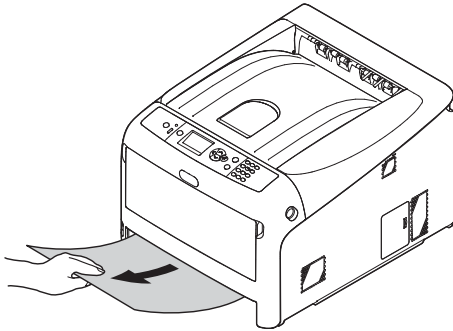
- If paper jams occur frequently, clean the paper feed rollers. For details, refer to "Cleaning Paper Feed Rollers" P.106.

This procedure uses Tray 1 as an example.

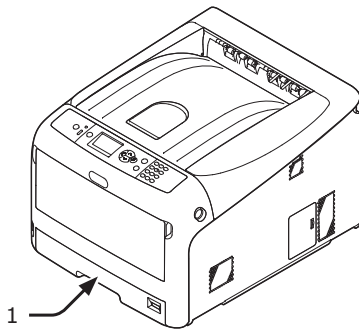
- 1 Gently pull out from the printer the tray (1) for which an error is indicated.



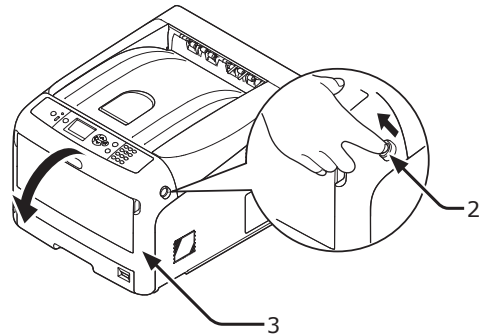
- 2 Remove the jammed paper.



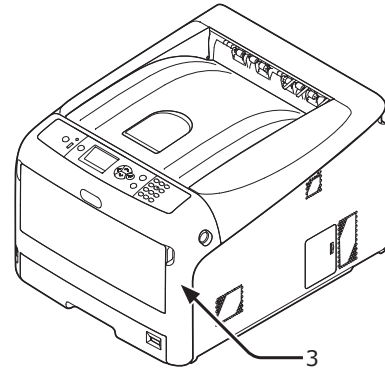
- 3 Return the tray (1) to the printer.



- 4 Insert your finger into the recess on the right side of the printer and pull the front cover open lever (2) to open the front cover (3) forward.



- 5 Close the front cover (3).



Task is complete.

**Memo**

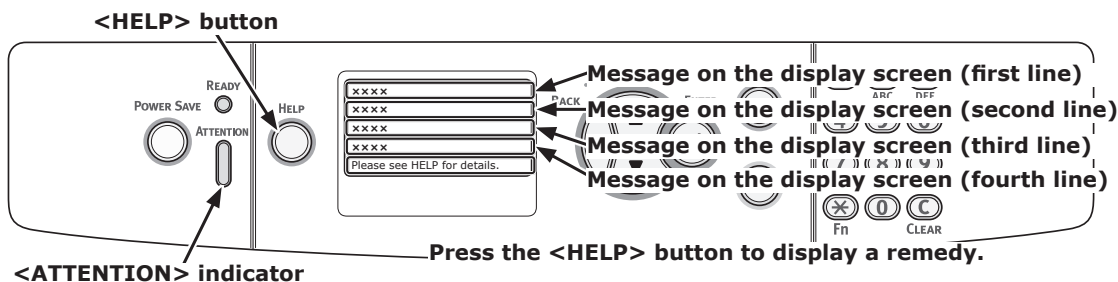
- Open and close the front cover after removing the jammed paper otherwise the error indication do not go out.

# • When the Message for Replacement of Consumables or Maintenance Unit Appears

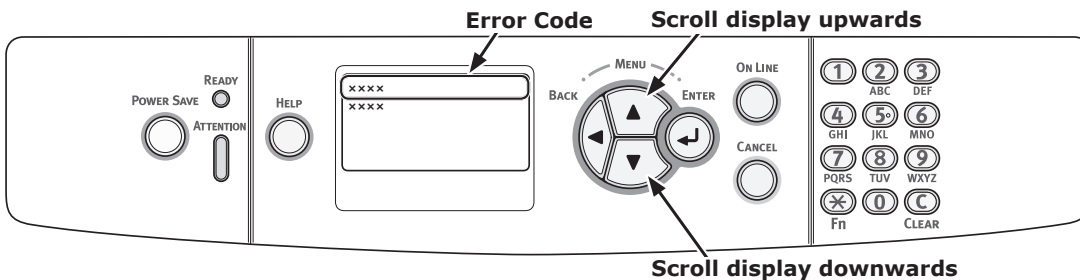
When the time to replace consumables or maintenance unit is close and replacement must be done, the message "...Low", "...Near Life", "...Empty", "...Life", "Install...", "Replace...", "Change..." appears on the display screen and the <ATTENTION> indicator on the operator panel lights up or blinks.

Check the message and replace consumables and maintenance unit.

3. Troubleshooting



## Display Screen when the <HELP> button is pressed







- "xxx" described on the list below changes according to the printer status.

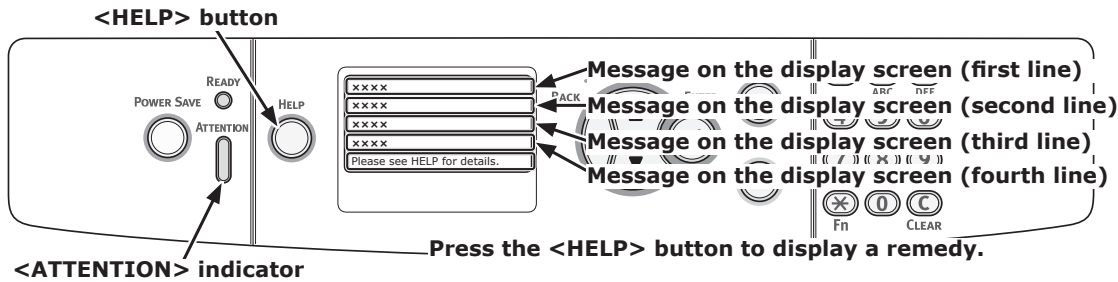
Status	Message on the Display Screen		Message displayed after the <HELP> button is pressed	Reference Page or Remedy
			Error Code	
Toner Cartridge	1st Line	xxx	-	Prepare a new toner cartridge, and replace the old toner cartridge with new one after a message for replacement of consumables or maintenance unit appears.
	2nd Line	%COLOR% Toner Low	-	
	1st Line	xxx	-	<a href="#">page 94</a>
	2nd Line	%COLOR% Toner Empty	-	
Image Drums	1st Line	xxx	410, 411, 413	<a href="#">page 96</a>
	2nd Line	%COLOR%	412	<a href="#">page 94</a>
	1st Line	xxx	-	Prepare new image drums, and replace the old image drums with new ones after a message for replacement of consumables or maintenance unit appears.
	2nd Line	%COLOR% Image Drum Near Life	-	
1st Line	xxx	-	<a href="#">page 98</a>	
2nd Line	%COLOR% Image Drum Life	-		
1st Line	xxx	-	<a href="#">page 98</a>	
2nd Line	%COLOR% Image Drum Life, %nnn% Pages Left	-	The number of pages you can print is displayed in "nnn".	
1st Line	Install New Image Drum	350, 351, 352, 353	<a href="#">page 98</a>	
2nd Line	Image Drum Life		If a toner remains, you can continue to print by opening or closing the front cover. However, replace the image drum soon. Otherwise, it may cause a decrease in a printing quality.	
3rd Line	%COLOR%			
1st Line	Install New Image Drum	560, 561, 562, 563	<a href="#">page 98</a>	
2nd Line	Image Drum Life			
3rd Line	%COLOR%			
1st Line	Install New Image Drum	564, 565, 566, 567	<a href="#">page 98</a>	
2nd Line	Image Drum Life		Pressing the <ONLINE> button can resume printing without guarantee of print results. Please replace it as soon as possible.	
3rd Line	%COLOR%			
4th Line	To Exceed the Life, Press Online Button			
1st Line	Install New Image Drum	680, 681, 682, 683	<a href="#">page 98</a>	
2nd Line	Printing disabled due to low threshold of Image Drum life.			
3rd Line	%COLOR%			

Status	Message on the Display Screen		Message displayed after the <HELP> button is pressed	Reference Page or Remedy
			Error Code	
Fuser Unit	1st Line	xxx	-	Prepare a fuser unit, and replace the old fuser unit with new one after a message for replacement of consumables or maintenance unit appears.
	2nd Line	Fuser Unit Near Life	-	
	1st Line	xxx	-	page 104
	2nd Line	Change Fuser Unit	-	
	1st Line	Install New Fuser Unit	354	page 104
	2nd Line	Fuser Unit Life		You can continue to print by opening or closing the front cover for a while. However replace the fuser unit soon. Otherwise, it may cause a printer error or paper jam.
Belt Unit	1st Line	xxx	-	Prepare a belt unit, and replace the old belt unit with new one after a message for replacement of consumables or maintenance unit appears.
	2nd Line	Belt Unit Near Life	-	
	1st Line	xxx	-	page 101
	2nd Line	Change Belt Unit	-	
	1st Line	Install New Belt Unit	355	page 101
	2nd Line	Belt Unit Life		You can continue to print by opening or closing the front cover for a while. However replace the belt unit soon. Otherwise, it may cause a printer error.

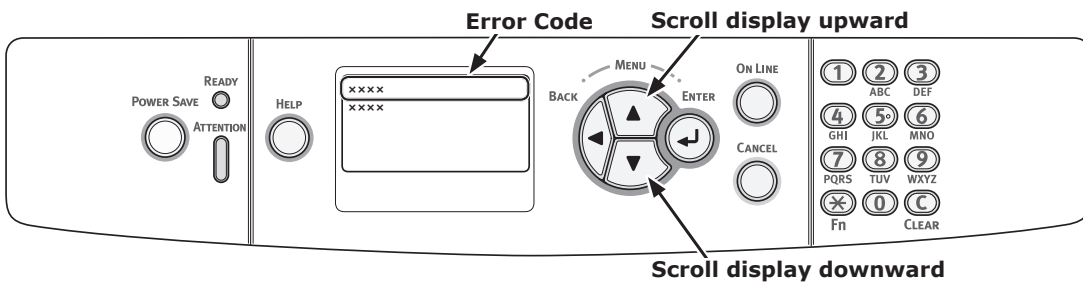
# • When the Message for Paper Replacement or Paper Size Error Appears

When the media type or media size loaded in a tray does not match the settings specified in the printer driver, the message “**Change Paper...**” or “**Check Paper...**” appears on the display screen and the <ATTENTION> indicator blinks.

Check the message and deal with the problem. Check the paper size and the settings, refer to “[How to Print from the Tray](#)” P.48 or “[How to Print from the MP Tray](#)” P.49.



## Display Screen when the <HELP> button is pressed



Status	Message on the Display Screen		Message displayed after the <HELP> button is pressed
			Error Code
Change Paper	1st Line	Change Paper in %TRAY%	661, 662, 663, 664
	2nd Line	%MEDIA_SIZE%	
	3rd Line	%MEDIA_TYPE%	660
	4th Line	Press ONLINE Button	
Paper Size does not match print data.	1st Line	Change Paper in %TRAY%	461, 462, 463, 464
	2nd Line	%MEDIA_SIZE%	
	3rd Line	%MEDIA_TYPE%	460
	4th Line	Press ONLINE Button	
Paper Size Error	1st Line	Check Paper	400
	2nd Line	Paper Size Error	
	3rd Line	%TRAY%	

## ● Other Error Messages

This section explains the causes and remedies for an error message and the function of the **<ATTENTION>** indicator. An error message appears on the display screen of the operator panel.

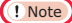
To display an error code, press the **<HELP>** button on the operator panel.

### Error Messages

Error code	Message	<ATTENTION> indicator	Cause/Remedy
420	Press ONLINE button for Restoration Memory Overflow	Blinks	The memory overflowed. Reduce the data amount. If that does not work, reduce the size of the print data.
310 311	%COVER% Open.  Please see HELP for details	Blinks	The cover is open. Close the cover. 310 : Output tray 311 : Front cover
320 348	Check Fuser Unit  Please see HELP for details	Blinks	The fuser unit is not correctly installed. Install the fuser unit correctly in a printer.
	Check Data Message Data Write Error<%CODE%>	Lights up	Writing of message data to be uploaded to a printer has been failed.
610 611 612 613	Toner Not Installed %COLOR%  Please see HELP for details	Blinks	The toner cartridge of the indicated color is not installed correctly. Install the toner cartridge correctly. 610 : Yellow (Y) 611 : Magenta (M) 612 : Cyan (C) 613 : White (W)
544 545 546 547	Check Toner Cartridge Improper Lock Lever Position %COLOR%  Please see HELP for details	Blinks	The toner cartridge of the indicated color is not locked properly. Turn the blue lever on the right side of the cartridge backwards until it stops. 544 : Yellow (Y) 545 : Magenta (M) 546 : Cyan (C) 547 : White (W)
540 541 542 543	Toner Sensor Error %COLOR%  Please see HELP for details	Blinks	Something is wrong with the toner sensor of the indicated color or the image drum is not installed correctly. Install the toner cartridge or image drum of the indicated color correctly. 540 : Yellow (Y) 541 : Magenta (M) 542 : Cyan (C) 543 : White (W)
430 440	Install Paper Cassette %TRAY%  Please see HELP for details	Blinks	A paper cassette is not in the indicated tray. Insert the paper cassette into the indicated tray. If the cassette is already inserted in the printer, pull out the cassette and set it again to correctly locate it. 430, 440 : Tray1
356	Install New Belt Unit Belt Unit Life  Please see HELP for details	Blinks	The belt unit is at the end of its life. Replace it with a new belt unit.
	File System is Full	Lights up	The file system is full.

Error code	Message	<ATTENTION> indicator	Cause/Remedy
	File System is Write Protected	Lights up	The file system to which you tried to write is write-protected.
330	Check Belt Unit  Please see HELP for details	Blinks	The belt unit is not properly installed. Reinstall it properly.
	Erased Data Full	Lights up	Secret file to be erased are full.
491	Install Paper %TRAY% %MEDIA_SIZE%  Please see HELP for details	Blinks	The indicated tray is empty. Load the indicated size paper. 491 : Tray1
	File Erasing	Lights up	Erasing a secret file.
	Error Postscript	Goes off	A postscript error has occurred.
490	Install Paper MPTray %MEDIA_SIZE% Press ONLINE Button Please see HELP for details	Blinks	Paper in the MP tray is empty. Load the indicated size paper.
694 695 696 697	Image Drum Not Installed %COLOR%  Please see HELP for details	Blinks	The image drum of the indicated color is not installed correctly. Install the image drum correctly. 694 : Yellow (Y) 695 : Magenta (M) 696 : Cyan (C) 697 : White (W)
340 341 342 343	Check Image Drum %COLOR%  Please see HELP for details	Blinks	The image drum of the indicated color is not installed correctly. Install the image drum correctly. 340 : Yellow (Y) 341 : Magenta (M) 342 : Cyan (C) 343 : White (W)
	Wait a Moment Rebooting <n>	Lights up	The printer is restarting. Please wait.
	%COLOR% Toner Sensor Error	Lights up	Something is wrong with the toner sensor of the indicated color or the image drum is not installed correctly. Install the toner cartridge or image drum of the indicated color correctly.
	%COLOR% Toner Not Installed	Lights up	The toner cartridge of the indicated color is not installed correctly. Install the toner cartridge correctly.
	%TRAY% Empty	Lights up	The indicated tray is empty. Load the paper.
	Unsupported USB Device Detected  Please detach it	Goes off	A USB device unsupported by a printer is connected. Remove the device.
	Install Paper MPTray %MEDIA_SIZE% Press ONLINE Button	Goes off	Load the paper of the size indicated in the MP tray, and then press the <ON LINE> button.
	%COLOR% Waste Toner Full.Replace Toner.	Lights up	Waste toner is full. Replace with a new toner cartridge of the indicated color.
	Collate Fail:Too Many Pages  Press ONLINE Button	Goes off	A collate print error has occurred. Reduce the data amount. If that does not work, reduce the size of the print data.
	File System Operation failed<nnn>  Press ONLINE Button	Lights up	An error of file system for a printer has occurred.

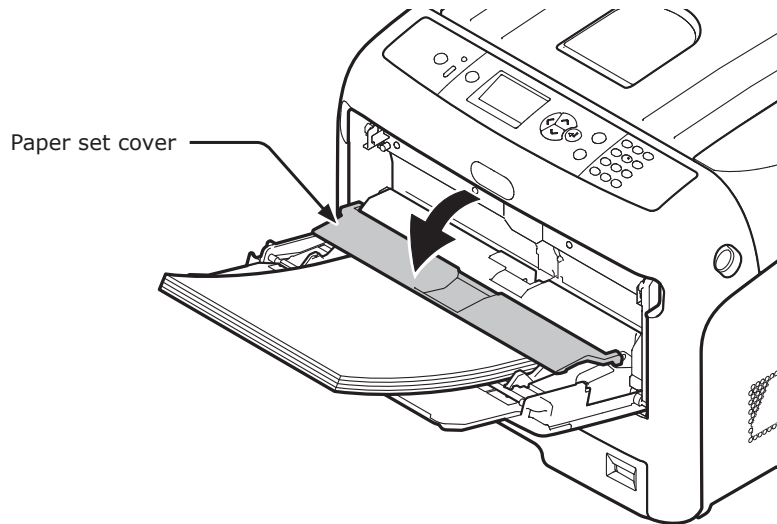
<b>Error code</b>	<b>Message</b>	<b>&lt;ATTENTION&gt; indicator</b>	<b>Cause/Remedy</b>
	Power Off and Wait for a while 126:Condensing Error	Blinks	A condensation has occurred inside a printer. Turn the printer off and turn on again after a while.
	USB Hub Unsupported Please detach it	Goes off	A USB hub unsupported by a printer is connected. Remove the hub.
nnn*	Service Call nnn: Error	Blinks	A fatal error has occurred inside the device. Write down the error code and contact your dealer.
nnn*	Power Off/On nnn:Error	Blinks	A fatal error has occurred in a printer. Turn the power off/on. Contact your dealer if the same error occurs again.
	PDL Error Occurred	Varies	Indicating that it has been occurred an internal processing error into the PDL emulation. It's a clearable warning. User should press ENTER button for clearing the warning.
	Expired saved files have been deleted Press ONLINE Button	Lights up	Indicates that an applicable job has been automatically deleted as the retention period for Private Job Print has expired.
	Decode error occurred Press ONLINE Button	Varies	Indicates that an error has occurred during analysis of image data input from an external source. This appears when an error has occurred during analysis of TIFF or JPEG data in USBMemoryPrint, DirectPrint, E-mailPrint mode.
	Can not read the file Press ONLINE Button	Varies	Indicates that the USB memory is disconnected while PrintFromUSBMemory is running. Reading of the image file is cancelled.
	Color toner empty. Job cancelled Press ONLINE Button	Varies	Notifies the user that the color toner is empty and that the received color data job is cancelled.
	E-mail receiving has been cancelled Press ONLINE Button	Lights up	Indicates that Email receiving has been canceled. It has the following possibilities. - The format of email that has received is illegal or not supported. - The attached file is illegal or not supported. - The attached file that has received is too large, for example, file size exceeds 8MB. - Network connection has disconnected.
	Invalid Data Press ONLINE Button	Varies	Invalid data was received. Press the On-line switch and eliminate the warning. Displayed when unsupported PDL command is received or a spool command is received without SD Card.
	Job Type restricted Job rejected Press ONLINE Button	Varies	A job of a JobLimitation setting violation is received, and when discarding the job, it's indicated.
	Please change SD Memory Card	Lights up	Indicates that machine requests a user to exchange old SD card device for new one because the SD card device is life.
415 417	Replace Toner %COLOR% Waste Toner Full  Please see HELP for details	Blinks	Indicates that a waste toner box represented by %COLOR% has become full and needs to be replaced. Error 415 : Magenta Error 417 : White

Error code	Message	<ATTENTION> indicator	Cause/Remedy
480	Remove Paper Output Tray  Please see HELP for details	Blinks	The printed paper is overfilled on the paper stacker of the printer unit. Error 480 : Output Tray
519	Press ONLINE Button for Restoration Receiving Data Timeout  Please see HELP for details	Blinks	When receiving data by Port9100, LPR, FTP, IPP, WSD, or Email, a timeout occurred in stream.
	IPv4 Address is conflicted Change IPv4 Address	Varies	IPv4 address is conflicted.
	Getting target IP failed. Please check DHCP settings.	Varies	Indicates that DHCP server is not found out.
	Wait a Moment Network Initializing	Varies	This appears when the NIC initialization is occurred, as the setting was changed.
	Wait a Moment Network Configuration writing	Blinks	This appears during the NIC configuration data is storing into the flash memory, as the setting was changed.
709	Caution, unknown Consumable detected Go to User Manual "Trouble Shooting" to restore operation	Blinks	You can use any consumables in your product, but you must accept the risks of using non-genuine consumables. If the use of non-genuine consumables causes damage to the product or results in your product not functioning to its full specification, then such damage or effect on the product is not covered by warranty. To accept these risks and to restore function; 1. Turn off your product 2. Press and hold the <CANCEL> button and turn your product on 3. After start up, release the <CANCEL> button  Note This operation will be recorded for future reference.

## ● When You Cannot Print from the MP Tray

If you print from the MP tray without moving down the paper set cover, the message **"Install Paper MPTray"** appears on the display screen.

Check the message and deal with the problem. Refer to ["How to Print from the MP Tray" P.49](#).





## ● Other Issues

This section explains the issues you may encounter while operating your printer and how to solve them.

### Unable to Print from a Computer



- If the following information does not solve the issue, contact your dealer.
- For issues caused by an application, contact the manufacturer of the application.

### General Causes

#### ■ Common to Windows and OS X

Cause	Remedy	Reference
The printer is turned off.	Turn on the printer.	<a href="#">page 21</a>
An Ethernet or USB cable is unplugged.	Check that the cable is plugged into the printer and computer properly.	-
Something is wrong with a cable.	Replace it with a new cable.	-
The printer is off line.	Press the <ON LINE> button.	-
An error message is displayed on the display screen of the operator panel.	"Error Messages" or press the <HELP> button on the operator panel.	<a href="#">page 78</a>
The interface setting is disabled.	Check the setting of the interface being used from the operator panel.	Advanced
Something is wrong with the print function.	Check if you can print the contents of the settings.	<a href="#">page 29</a>

#### ■ For Windows

Cause	Remedy	Reference
The printer is not set as the default printer.	Set the printer as the default printer.	-
The output port for the printer driver is incorrect.	Select the output port to which the Ethernet or USB cable is connected.	-
A print job from another interface is in progress.	Wait until the print job is done.	-
"Invalid Data" is displayed on the display screen and printing cannot be done.	Press the scroll button ▼ or ▲ and select [Menus] > [System Adjust] > [Timeout InJob], and then select a longer time. The default setting is 40 seconds.	-

## Network Connection Problems

### ■ Common to Windows and OS X

Cause	Remedy	Reference
Using a crossover cable.	Use a straight cable.	-
The printer is turned on before a cable was connected.	Connect cables before turning on the printer.	<a href="#">page 31</a>
The hub and the printer are incompatible or have some problem.	Press the scroll button ▼ or ▲ and select [ <b>Admin Setup</b> ] (Enter the administrator password.) > [ <b>Network Setup</b> ] > [ <b>HUB Link Setting</b> ], and then select [ <b>10Base-T Half</b> ].	-

### ■ For Windows

Cause	Remedy	Reference
IP address is incorrect.	<ul style="list-style-type: none"> <li>• Check that the same IP address is set for the printer and the printer's port setting on the computer.</li> <li>• If using LPR Utility, check the IP address setting in LPR Utility.</li> </ul>	-

## USB Connection Problems

### ■ Common to Windows and OS X

Cause	Remedy	Reference
Unsupported USB cable is being used.	Use a USB 2.0 cable.	-
A USB hub is being used.	Connect the printer directly to the computer.	<a href="#">page 41</a>
Printer driver is not installed correctly.	Reinstall printer driver.	<a href="#">page 41</a> , <a href="#">page 42</a>

### ■ For Windows

Cause	Remedy	Reference
The printer is off line.	Right-click the Pro8432WT PS icon, and then select [ <b>See what's printing</b> ]. In the dialog box, select the [ <b>Printer</b> ] menu and then remove the check from [ <b>Use Printer Offline</b> ].	-
A switch, buffer, extension cable or USB hub is being used.	Connect the printer directly to the computer.	<a href="#">page 41</a>
A driver for a different printer that uses a USB connection has been installed.	Delete the other printer driver from the computer.	-


## Unable to Install a Printer Driver Successfully



- If the following information does not solve the issue, contact your dealer.
- For issues caused by an application, contact the manufacturer of the application.

### USB Connection Problems

#### ■ For Windows

Cause	Remedy	Reference
An icon of the printer is not created on the [ <b>Devices and Printers</b> ] folder.	The printer driver is not installed correctly. Reinstall the printer driver correctly.	page 41
Only the first printer driver is installed even if multiple printer drivers are selected to install.	Follow the procedure below to install the second and subsequent printer drivers: <ol style="list-style-type: none"> <li>1. Insert the "Software DVD-ROM" into a computer.</li> <li>2. When [<b>AutoPlay</b>] is displayed, click [<b>Run Setup.exe</b>].</li> </ol>  <ul style="list-style-type: none"> <li>• If the [<b>User Account Control</b>] dialog box is displayed, click [<b>Yes</b>].</li> </ul> <ol style="list-style-type: none"> <li>3. Select a language from the drop-down list.</li> <li>4. Read the license agreement, and then click [<b>Accept</b>].</li> <li>5. Read Environmental advice for Users and click [<b>Next</b>].</li> <li>6. Select [<b>Network (Wired/Wireless)</b>] or [<b>USB</b>] corresponding to your connection environment, and then click [<b>Next</b>].</li> </ol> <p>If the [<b>Windows Security Alert</b>] dialog box is displayed, click [<b>Allow access</b>].</p> <ol style="list-style-type: none"> <li>7. Select the model name of this machine, and then click [<b>Next</b>].</li> <li>8. Click [<b>Custom Install</b>].</li> <li>9. Click [<b>Separate Install</b>].</li> <li>10. Click a driver to install.</li> </ol> Installation starts.	-
The " <b>Unable to install printer driver</b> " error message is displayed.	Use Plug-and-Play. Follow the procedure below. <ol style="list-style-type: none"> <li>1. Ensure that the printer and computer is turned off.</li> <li>2. Connect a USB cable.</li> <li>3. Turn on the printer.</li> <li>4. Turn on the computer.</li> <li>5. When the Found New Hardware Wizard is displayed, follow the on-screen instructions to complete the setup.</li> </ol>	-

## OS-Specific Constraints


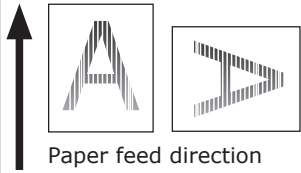


### Constraints with Windows




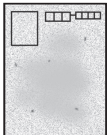
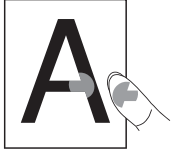
Item	Symptom	Cause/Remedy
Printer drivers	[ <b>Help</b> ] is not displayed.	The [ <b>Help</b> ] function is not supported on PS printer drivers.
	The [ <b>User Account Control</b> ] dialog appears.	When you launch an installer or utility, the [ <b>User Account Control</b> ] dialog may appear. Click [ <b>Yes</b> ] or [ <b>Continue</b> ] to run the installer or utility as an administrator. If you click [ <b>No</b> ], the installer or utility does not start.
PS Gamma Adjuster	The [ <b>User Account Control</b> ] dialog appears.	When you launch an installer or utility, the [ <b>User Account Control</b> ] dialog may appear. Click [ <b>Yes</b> ] or [ <b>Continue</b> ] to run the installer or utility as an administrator. If you click [ <b>No</b> ], the installer or utility does not start.
	The [ <b>Program Capability Assistant</b> ] dialog appears.	If the [ <b>Program Capability Assistant</b> ] dialog appears after an installation (including if you stop an installation before it is completed), make sure to click [ <b>This program installed correctly</b> ].






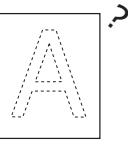

## Image Quality Issues



- If the following information does not solve your issues, contact your dealer.

Symptom	Point to check	Remedy	Reference
Vertical lines appear. 	The toner is low.	Replace the toner cartridge.	<a href="#">page 94</a>
	The image drum is damaged.	Replace the image drum.	<a href="#">page 98</a>
	Foreign materials may be present on the image drum.	Replace the image drum.	<a href="#">page 98</a>
	The light-shielding film of the image drum is dirty.	Wipe the film with a soft tissue paper.	-
	The image drum is not installed properly.	Install the image drum properly.	<a href="#">page 98</a>
Printed images are fading vertically. 	The LED heads are dirty.	Wipe the LED heads with soft tissue paper.	<a href="#">page 108</a>
	The toner is low.	Replace the toner cartridge.	<a href="#">page 94</a>
	The paper is unsuitable.	Use supported paper.	<a href="#">page 45</a>
Printed images are light. 	The toner save is enabled.	Change the toner save settings.	-
	The toner cartridge is not installed properly.	Install the toner cartridge properly.	<a href="#">page 94</a>
	The toner is low.	Replace the toner cartridge.	<a href="#">page 94</a>
	The paper is moist.	Use paper stored in proper temperature and humidity conditions.	<a href="#">page 45</a>
	The paper is unsuitable.	Use supported paper.	<a href="#">page 45</a>
	The paper is unsuitable. The settings of media type and weight are incorrect.	Press the scroll button ▼ or ▲ and select <b>[Menus] &gt; [Tray Configuration] &gt;</b> the paper tray configuration you are using, and then select the proper values for <b>[Media Type]</b> and <b>[Media Weight]</b> . Or, select a larger value for <b>[Media Weight]</b> .	<a href="#">page 45</a>
	The paper is recycled. The media weight setting is unsuitable.	Press the scroll button ▼ or ▲ and select <b>[Menus] &gt; [Tray Configuration] &gt;</b> the paper tray you are using, and then select a larger value for <b>[Media Weight]</b> .	<a href="#">page 45</a>
Printed images are partially faded. Spots and lines appear. 	The paper is too moist or dry.	Use paper stored in proper temperature and humidity conditions.	<a href="#">page 45</a>
	<b>[Paper Color Setting]</b> is improperly configured.	Press the scroll button ▼ or ▲, select <b>[Menus] &gt; [Print Adjust]</b> , and then change the value of <b>[Paper Color Setting]</b> .	-
	<b>[Trans. Color Setting]</b> is improperly configured.	Press the scroll button ▼ or ▲, select <b>[Menus] &gt; [Print Adjust]</b> , and then change the value of <b>[Trans. Color Setting]</b> .	-

Symptom	Point to check	Remedy	Reference
Horizontal lines and spots appear periodically.  Paper feed direction	If the interval of lines or spots is about 94 mm (4 inches), the image drum (the green tube) is damaged or dirty.	Lightly wipe the image drum with soft tissue paper. Replace the image drum if it is damaged.	<a href="#">page 98</a>
	If the interval of lines or spots is about 40 mm (2 inches), foreign materials may be present on the image drum.	Open and close the output tray, and print again.	-
	If the interval of lines or spots is about 143 mm, there is damage to the fuser unit.	Change the fuser unit.	<a href="#">page 104</a>
	The image drum has been exposed to light.	Place the image drum back into the printer and leave it for a few hours. If that does not solve the problem, replace the image drum.	<a href="#">page 98</a>
	The paper feed path is dirty.	Print a few test copies.	-
White area of paper is lightly stained. 	The paper contains static electricity.	Use paper stored in proper temperature and humidity conditions.	<a href="#">page 45</a>
	The paper is too thick.	Use thinner paper.	-
	The toner is low.	Replace the toner cartridge.	<a href="#">page 94</a>
Periphery of letters is smudged. 	The LED heads are dirty.	Wipe the LED heads with soft tissue paper.	<a href="#">page 108</a>
	The paper is unsuitable.	Use recommended paper.	-
	The paper is moist.	Replace it with new paper.	<a href="#">page 45</a>
The entire paper area is lightly stained when printing on envelopes or coated paper. 	The toner may be sticking to the whole area of the envelope or coated paper.	This is not a malfunction of the printer. Coated paper is not recommended.	-
Toner comes off when it is rubbed. 	The settings of media type and weight are incorrect.	Press the scroll button ▼ or ▲ and select <b>[Menus] &gt; [Tray Configuration]</b> > the paper tray configuration you are using, and then select the proper values for <b>[Media Type]</b> and <b>[Media Weight]</b> . Or, select a heavier weight in <b>[Media Weight]</b> .	<a href="#">page 45</a>
	The paper is recycled. The media weight setting is unsuitable.	Press the scroll button ▼ or ▲ and select <b>[Menus] &gt; [Tray Configuration]</b> > the paper tray configuration you are using, and then select a heavier weight for <b>[Media Weight]</b> .	<a href="#">page 45</a>

Symptom	Point to check	Remedy	Reference
Glossiness is not uniform. 	The settings of media type and weight are incorrect.	Press the scroll button ▼ or ▲ and select [ <b>Menu</b> ] > [ <b>Tray Configuration</b> ] > the paper tray configuration you are using, and then select the proper values for [ <b>Media Type</b> ] and [ <b>Media Weight</b> ]. Or, select a heavier weight in [ <b>Media Weight</b> ].	<a href="#">page 45</a>
Color of the printed image is not what you expect.	The toner is low.	Replace the toner cartridge.	<a href="#">page 94</a>
	The color adjustment has been modified.	Do color matching from the printer driver.	Advanced
	The color balance is out of adjustment.	Press the scroll button ▼ or ▲ and select [ <b>Calibration</b> ], and then [ <b>Adjust Density</b> ].	Advanced
	Color registration is out of alignment.	Open and close the output tray. Or, press the scroll button ▼ or ▲ and select [ <b>Calibration</b> ], and then [ <b>Adjust Registration</b> ].	Advanced
Solid printing of CMY 100% is too light. 	[ <b>CMY100% Density</b> ] is set to [ <b>Disable</b> ].	Press the scroll button ▼ or ▲ and select [ <b>Admin Setup</b> ] > [ <b>Color Setup</b> ] > [ <b>CMY100% Density</b> ], and then select [ <b>Enable</b> ].	-
Dots appear. 	The paper is unsuitable.	Use supported paper.	<a href="#">page 45</a>
	When the interval of the dots is about 94 mm (4 inches), the image drum (the green tube) is damaged or dirty.	Lightly wipe the image drum with a soft tissue paper. Replace the image drum when it is damaged.	<a href="#">page 98</a>
Smears is printed. 	The paper is moist.	Replace it with new paper.	<a href="#">page 45</a>
	The paper is unsuitable.	Use supported paper.	<a href="#">page 45</a>
The background of a printed page is dark or dirty. 	The printer may be malfunctioning.	Contact your dealer.	Back cover
Nothing is printed. 	Two or more sheets of paper are fed simultaneously.	Fan the paper well and load it again.	<a href="#">page 48</a> , <a href="#">page 49</a>
	The printer may be malfunctioning.	Contact your dealer.	-
Patches appear. 	The paper is moist.	Replace it with new paper.	<a href="#">page 45</a>
	The paper is unsuitable.	Use supported paper.	<a href="#">page 45</a>

## Feeding Issues



- If the following information does not solve the issue, contact your dealer.



Symptom	Point to check	Remedy	Reference
<ul style="list-style-type: none"> <li>• The paper often jams.</li> <li>• Multiple sheets are fed at once.</li> <li>• The paper is fed at an angle.</li> </ul>	The printer is tilted.	Place the printer on a flat surface.	<a href="#">page 16</a>
	The paper is too light or too heavy.	Use the appropriate paper for the printer.	<a href="#">page 45</a>
	The paper is moist or has a static charge.	Use paper stored in proper temperature and humidity conditions.	<a href="#">page 45</a>
	The paper is wrinkled, folded or curled.	Use appropriate paper for the printer. Fix the curled paper.	<a href="#">page 45</a>
	Something is already printed on the back side of the paper.	With tray 1, you cannot use paper that has been printed. Load it on the MP tray for printing.	<a href="#">page 49</a>
	The edges of the paper are not kept even.	Fan the paper and even up the edges.	<a href="#">page 48,</a> <a href="#">page 49</a>
	There is only one sheet of paper in the tray.	Load several sheets of paper.	<a href="#">page 48,</a> <a href="#">page 49</a>
	You have added more paper with paper already loaded in the tray.	Remove the already loaded paper, stack it onto the new paper, even up the edges and load the paper with the old paper on top.	<a href="#">page 48,</a> <a href="#">page 49</a>
	The paper is loaded at an angle.	For tray 1, adjust the paper width guide and stopper to the paper. For the MP tray, adjust the paper width guide to the paper.	<a href="#">page 48,</a> <a href="#">page 49</a>
	Envelopes are not correctly loaded.	Load envelopes correctly.	<a href="#">page 49</a>
	Paper, envelopes or labels of weight between 177 and 220 g/m <sup>2</sup> is loaded in tray 1.	Load the paper, envelopes or labels of weight between 177 and 220 g/m <sup>2</sup> on the MP tray, and use the face up stacker.	<a href="#">page 45,</a> <a href="#">page 49</a>
Paper does not feed into the printer.	The setting of [ <b>Source</b> ] in the printer driver is not correctly specified.	Check the paper tray and select the correct tray in [ <b>Source</b> ] in the printer driver.	-
	You have specified manual feeding on the printer driver.	In the printer driver, clear the [ <b>Use MP tray as manual feed</b> ] check box on [ <b>Paper feed options</b> ].	Advanced
The printer does not start processing even though you have removed the jammed paper.	-	Open and close the output tray.	-
The paper gets folded or wrinkled.	The paper is moist or has a static charge.	Use paper stored in proper temperature and humidity conditions.	<a href="#">page 45</a>
	The paper is light.	Press the scroll button ▼ or ▲ and then select [ <b>Menus</b> ] > [ <b>Tray Configuration</b> ] > [%TRAY% Config] > [ <b>Media Weight</b> ]. Then, specify a lighter weight.	<a href="#">page 45</a>



Symptom	Point to check	Remedy	Reference
The paper twists around the rollers in the fuser unit.	The settings of media weight and type are incorrect.	Press the scroll button ▼ or ▲ and then select [ <b>Menus</b> ] > [ <b>Tray Configuration</b> ] > [% <b>TRAY%</b> <b>Config</b> ] > [ <b>Media Type</b> ]/[ <b>Media Weight</b> ]. Then, specify the appropriate values. Or, specify a heavier weight in [ <b>Media Weight</b> ].	<a href="#">page 45</a>
	The paper is light.	Use heavier paper.	-
	There is an image or text on the leading edge of the paper.	Add a margin on the leading edge of the paper.	-

## Machine Issues

Symptom	Point to check	Remedy	Reference
You turned on the printer, but nothing displays on the screen.	The AC cord is unplugged.	Turn off the printer and then plug in the AC cord firmly.	-
	The power is out.	Check if the power is being supplied to the electric outlet.	-
The printer does not operate.	The AC cord is not firmly plugged in.	Plug in the AC cord firmly.	-
	The printer is turned off.	Turn on the printer.	<a href="#">page 21</a>
	The printer turned off automatically by the auto power off function.	Disable the auto power off function.	<a href="#">page 62</a>
	Printer does not answer.	Hold down the power switch for more than 5 seconds to turn off the printer forcibly.	-
The printer does not start printing.	An error is displayed on the panel.	Check the error code and follow the on-screen instructions.	<a href="#">page 78</a>
	The Ethernet or USB cable is unplugged.	Plug in the Ethernet or USB cable firmly.	<a href="#">page 31</a> , <a href="#">page 41</a>
	Something is wrong with the Ethernet or USB cable.	Use another Ethernet or USB cable.	-
	The printer does not support your Ethernet or USB cable.	<ul style="list-style-type: none"> <li>Use a USB 2.0 compatible cable.</li> <li>Use an Ethernet 10BASE-T/100BASE-TX/1000BASE-TX compatible cable.</li> </ul>	-
	Something may be wrong with the printing function.	Press the scroll button ▼ or ▲ and select [ <b>Print Information</b> ] > [ <b>Configuration</b> ] and then print the contents of the settings to check the printing function.	<a href="#">page 29</a>
	The interface is disabled.	Press the scroll button ▼ or ▲ and select [ <b>Admin Setup</b> ] > [ <b>Network Setup</b> ] and enable the interface you are using.	-
	The printer driver of the printer is not selected.	Set the printer driver of the printer as the default printer.	-
	The specified port of the printer driver is wrong.	Specify the port the Ethernet or USB cable is connected to.	-
The display screen is blank.	The printer is in the deep sleep mode.	Check if the < <b>POWER SAVE</b> > button lights up and press the < <b>POWER SAVE</b> > button to activate the printer.	<a href="#">page 22</a>
Print data is not transmitted to the printer.	The Ethernet or USB cable is broken.	Connect a new cable.	-
	The time-out period set on the computer has passed.	Set a longer time-out period.	-





Symptom	Point to check	Remedy	Reference
There is an abnormal sound.	The printer is tilted.	Place the printer on a flat surface.	-
	There is a piece of paper or foreign object inside the printer.	Check the inside of the printer and remove any objects.	-
	The output tray is open.	Close the output tray.	-
There is a buzzing sound.	The printer is printing on the heavy or thin paper when the temperature inside is high.	This is not a malfunction. You can proceed with the operation.	-
It takes a while to start printing.	The printer may be cleaning the image drum.	Wait for a while.	-
	The printer is adjusting the temperature of the fuser unit.	Wait for a while.	-
	The printer is processing data from another interface.	Wait until the process finishes.	-
A print job has stopped in the middle of the printing process.	As a result of processing print jobs continuously for a long time, the inside the printer has become hot. The printer is cooling off.	Wait for a while. When the fuser unit becomes cooler, printing restarts automatically.	-
	As a result of processing print jobs continuously for a long time, the temperature in the printer inside has become too high. The printer is cooling off.	Wait for a while. When the printer becomes cooler, printing restarts automatically.	-
	When the print processing is overloaded by printing with the WSD port, a computer may stop sending.	Retry to send data on a computer. If the error is not resolved, use other network port.	-
Memory is insufficient.	A printer is short on memory because print data is too large.	Reduce print data with a printer driver.	Advanced
It takes a long time to finish printing.	The processing speed of the computer may be slowing down the print job.	Use a computer with faster processing speed.	-
	You have selected [ <b>ProQ/High Quality</b> ] on the [ <b>Job Options</b> ] tab of the printer driver.	Select [ <b>Fine / Detail (600x1200)</b> ] or [ <b>Normal (600x600)</b> ] on the [ <b>Job Options</b> ] tab of the printer driver.	-
	The print data is complex.	Make the data simpler.	-
	Paper is narrow (less than 230 mm).	Change the mode.	Advanced
The printer driver is not correctly displayed on OS X.	The printer driver may not be operating correctly.	Uninstall the printer driver and install it again.	Advanced
Paper is curled.	Thin paper is used.	Set an appropriate paper weight or select [ <b>High Humid Mode</b> ].	Advanced
Paper is wet on the edge.	Wet paper is used.	Select [ <b>Moisture Control</b> ].	Advanced
The LED indicator in the power switch is blinking at high speed per about 0.3 seconds. 	The printer may be malfunctioning.	 Unplug the AC cord immediately.	-









# 4. Maintenance

This chapter explains how to replace consumables and maintenance units, clean the printer, and move or transport the printer.

## • Replacing Consumables and Maintenance Units

This section explains how to replace consumable items.

 <b>WARNING</b>			
	Do not throw the toner or toner cartridge into the fire. Doing so may cause toner splashes leading to burns.		Do not vacuum spilled toner powder. If vacuuming, it may cause ignition due to the sparks from electric contacts. Toner spillage on the floor should be wiped off by wet clothes.
	Do not keep the toner cartridge in places close to the fire. It may catch the fire, which cause fire and burns.		

 <b>CAUTION</b>			
	There are high temperature parts in the device. Do not touch the periphery of the label "Caution High Temperature", which may cause burns.		If toner powder is inhaled, gargle with large amounts of water and move the person to the open area for fresh air. Follow the doctor's direction if necessary.
	If the toner powder sticks to your skin like your hands, wash with soap.		If the toner gets into the eyes, flush with plenty of water immediately. Follow the doctor's direction if necessary.
	When handling a paper jam, or replacing the toner cartridge, make sure not to get your cloth and hands dirty. When toner powder stains on your cloth, wash with cold water. If you wash with hot water, the toner may be soaked into the cloth; it may be difficult to clean.		Do not disassemble the toner cartridge. Toner powder may fly upward, and you may inhale the toner powder or may get your cloth and hands dirty.
			Keep a used toner cartridge in a bag so that the toner powder can not fly upward.

 **Note**

- Use only genuine OKI consumable items to ensure optimum quality.
- Service for problems due to use of consumable items other than genuine OKI consumables will incur fees even in the warranty period or the maintenance contract period.

## Replacing Toner Cartridges

**Note**

- Toner powder may spill if you remove a toner cartridge before the toner runs out.

### Life Span of Toner Cartridge

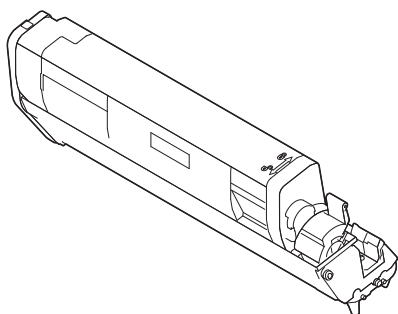
When the “%COLOR% Toner Low” message (“%COLOR%” indicates C (cyan), M (magenta), Y (yellow) or W (white)) appears on the display screen, prepare a replacement toner cartridge. You can keep printing several hundred pages until the next message appears.

The number of pages that can make prints depends on the usage.

When the “%COLOR% Toner Empty” appears and printing is stopped, replace the toner cartridge.

**Note**

- The actual life of the toner cartridge differs depending on the usage.



**Note**

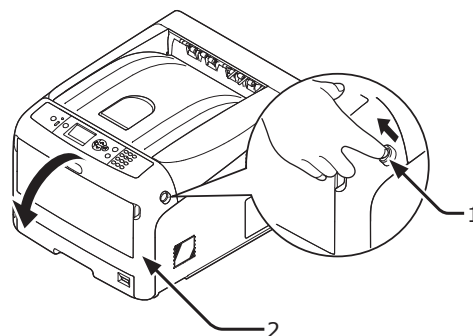
- Have a new print cartridge ready, as the print quality declines after more than one year following breaking the seal.
- If you replace the toner cartridge/image drum while it is being used, the amount of toner used will not be counted normally.
- By opening and closing the output tray after the message “Color toner empty.” is displayed, you are able to print approximately 100 copies of A4 size ISO test patterns (approximately 20 pages, five times). However further printing operations will not be possible after that. Please replace the toner cartridge as failure to do so may damage the image drum.

## Procedure for Replacement (for C (cyan) Toner Cartridge)

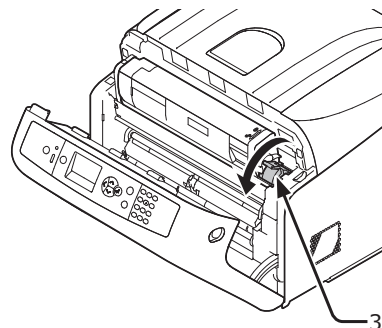
**Memo**

- When replacing the W, M, Y toner cartridges, refer to “Procedure for Replacement (for W (white), M (magenta), Y (yellow) Toner Cartridges)” P.96.



- 1 Prepare a new [C] toner cartridge.
- 2 Insert your finger into the recess on the right side of the printer and pull the front cover open lever (1) to open the front cover (2) forward.



- 3 Turn the blue lever (3) of the toner cartridge.

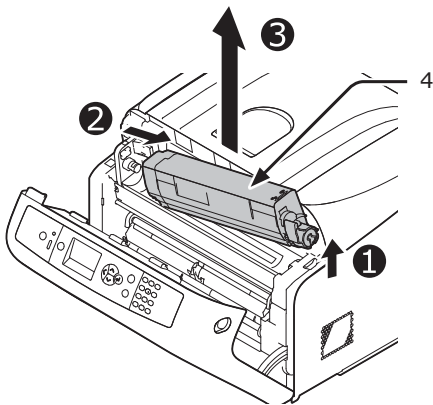


4 Lift the toner cartridge (4) from the right side, and remove it from the printer.

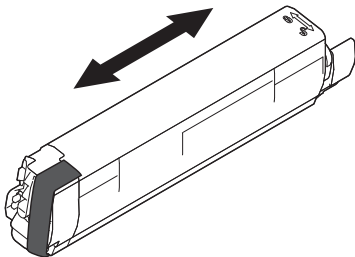
 <b>WARNING</b>	<b>Possible to get burned.</b>	
<ul style="list-style-type: none"> <li>Do not throw a used toner cartridge in the fire. They may explode, and the toner inside may fly off and cause getting burned.</li> </ul>		

**Note**

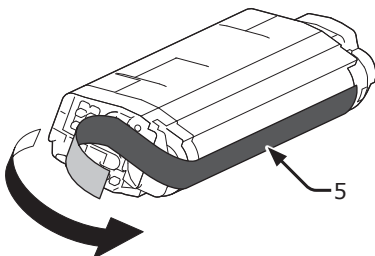
- When toner powder adheres to the paper feeding area inside the printer, wipe it off with a wet cloth that has been well wrung.



5 Leaving the replacement toner cartridge in its bag, gently shake it up and down and side to side, and then unpack it.



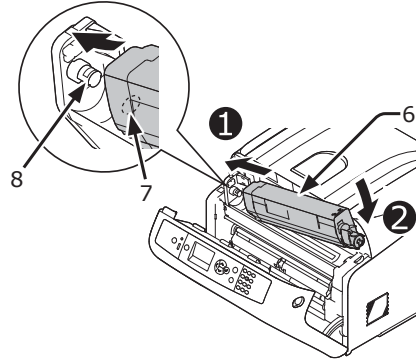
6 Remove the tape (5) from the toner cartridge.



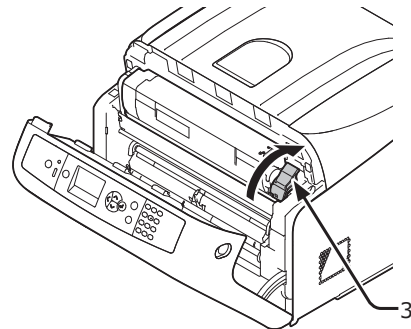
7 Insert a new toner cartridge (6) by aligning its left side indentation (7) with the protrusion (8) on the image drum so the toner cartridge and image drum [C] color label align. Then fix the right side firmly into place.

**Note**

- Do not insert a toner cartridge without removing the tape.



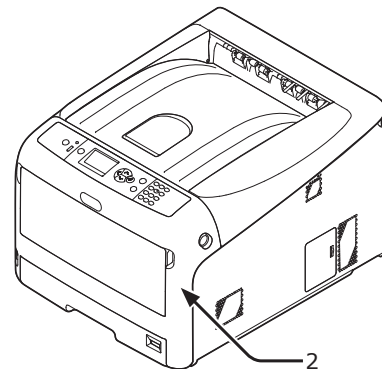
8 Turn the blue lever (3) of the toner cartridge backward until its top aligns on the ▲ mark.



9 Close the front cover (2).

**Note**

- The front cover cannot be closed if the output tray is not closed securely.



**10** Please recycle toner cartridges.

 Memo

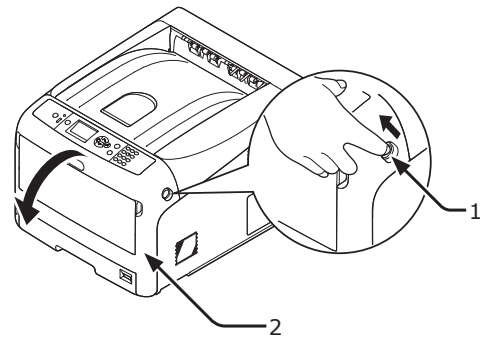
- If you must dispose of a toner cartridge, put it in a plastic bag or similar container and dispose of it in accordance with your municipality's ordinances or guidelines.

**Procedure for Replacement  
(for W (white), M (magenta),  
Y (yellow) Toner Cartridges)**



 Memo

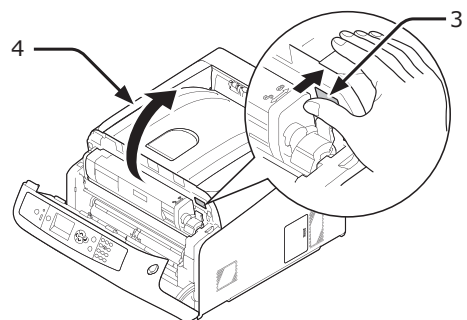
- When replacing the C toner cartridge, refer to "Procedure for Replacement (for C (cyan) Toner Cartridge)" P.94.

- 1 Prepare new toner cartridges.
- 2 Insert your finger into the recess on the right side of the printer and pull the front cover open lever (1) to open the front cover (2) forward.

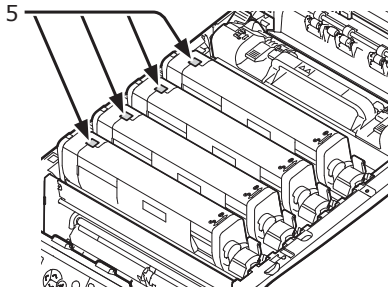


- 3 Press the output tray open button (3) and open the output tray (4).

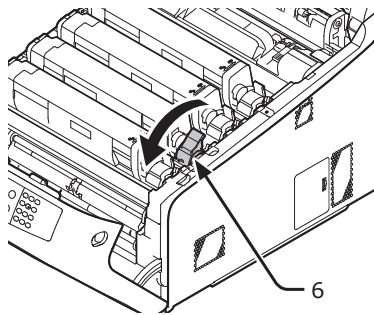
 <b>CAUTION</b>	<b>Possible to get burned.</b>	
<ul style="list-style-type: none"> <li>• The fuser unit is extremely hot. Do not touch it.</li> </ul>		





- 4 Identify an empty toner cartridge by its label color (5).

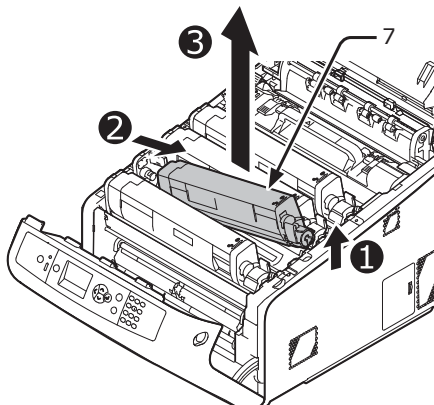


- 5 Slide the right blue lever (6) of the toner cartridge while pressing the top of the cartridge to unlock.

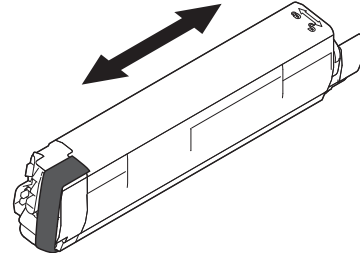


- 6 Lift the toner cartridge (7) from right side, and remove it from the printer.

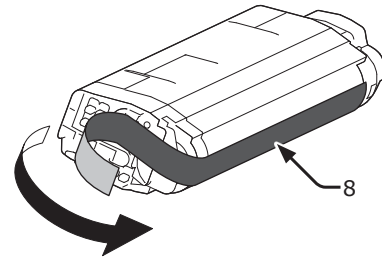
 <b>WARNING</b>	<b>Possible to get burned.</b>	
<ul style="list-style-type: none"> <li>Do not throw a used toner cartridge in the fire. They may explode, and the toner inside may fly off and cause getting burned.</li> </ul>		



- 7 Unpack the replacement toner cartridge, and gently shake it up and down and side to side.



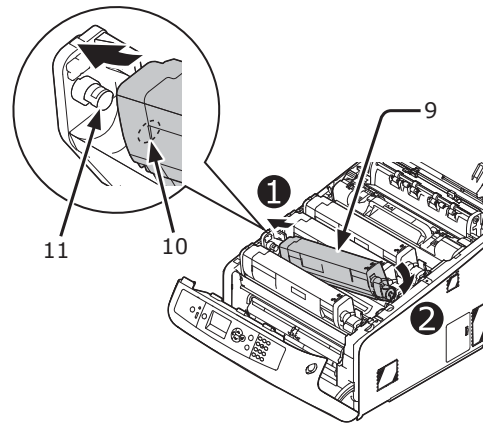
- 8 Remove the tape (8) from the toner cartridge.



- 9 Insert a new toner cartridge (9) by aligning its left side indentation (10) with the protrusion (11) on the image drum so the toner cartridge and image drum color labels align. Then fix the right side firmly into place.

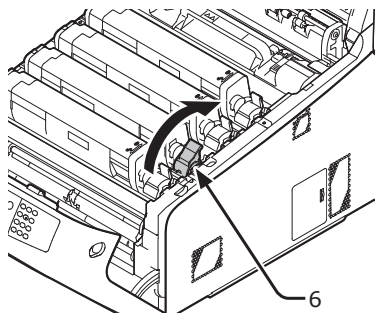
**Note**

- Do not insert a toner cartridge without removing the tape.

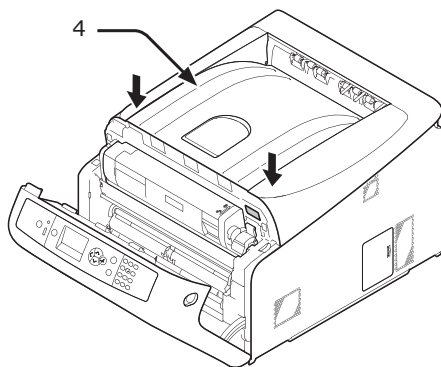




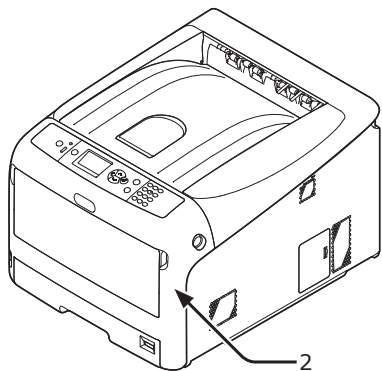
- 10** Turn the blue lever (6) of the toner cartridge backward until its top aligns on the ▲ mark.



- 11** Close the output tray (4) by pushing the both sides of the cover firmly.



- 12** Close the front cover (2).



**! Note**

- The front cover cannot be closed if the output tray is not closed securely.

- 13** Please recycle toner cartridges.

**Memo**

- If you must dispose of a toner cartridge, put it in a plastic bag or similar container and dispose of it in accordance with your municipality's ordinances or guidelines.

## Replacing the Image Drum

### Life Span of Image Drum

When the “%COLOR% Image Drum Near Life” message appears on the display screen, prepare a replacement image drum. If you continue printing, the message “%COLOR% Image Drum Life” will be displayed and printing will stop.

A guideline for replacing the image drum is every 30,000 pages (YMC), every 9,000 pages (W) or so for A4 sized paper (with single-sided printing). However, this number of pages is for common printing conditions (3 pages at a time). Printing one page at a time reduces the drum life by about half.

The actual number of printed pages may be halved again relative to the above guideline, depending on the printing conditions.

If you continue to print more than the above, the printer will force the printing to stop.

**! Note**

- The actual number of pages you can print with the image drum depends on how you use it. The above guideline may be reduced by more than half, depending on the conditions of printing.
- Though opening and closing the output tray may extend the life of a image drum for a while, it is recommended to replace it soon after the “Install New image drum” is displayed.
- The print quality may deteriorate after the toner cartridge has been unpacked for a year. Replace it with a new one.
- Press the scroll button ▼ or ▲ and select [Admin Setup] > [Panel Setup] > [Near Life Status], if this is set to [Disable], then the “%COLOR% Image Drum Near Life” message does not appear.

### Procedure for Replacement

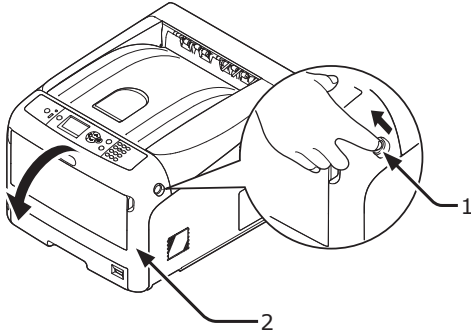
**! Note**

- If you use a new image drum with the toner cartridges currently in use, the remaining amount indication of the toner cartridges will not display correctly. The messages “%COLOR% Image Drum Near Life” or “%COLOR% Image Drum Life” may also be displayed soon after replacement.
- The image drum (the green tube) is very delicate. Handle it carefully.
- Do not expose the image drum to direct sunlight or very bright interior light (approximately more than 1500 lux). Even under the normal interior light, do not leave it for more than 5 minutes.
- In order for the printer to exhibit its full performance, please use genuine OKI consumables.
- Service for problems due to use of consumable items other than genuine OKI consumables will incur fees even in the warranty period or the maintenance contract period. (Use of consumable items other than genuine OKI consumables does not always cause problems, but please exhibit caution when using those.)





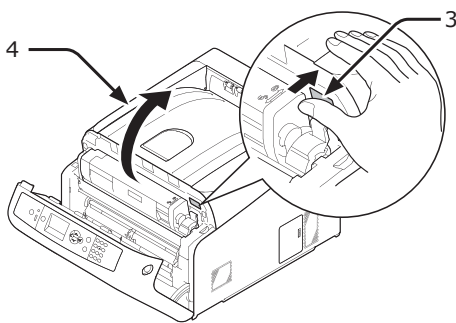
- There is one toner cartridge for each color on the image drum.

- 1 Prepare a new image drum.
- 2 Insert your finger into the recess on the right side of the printer and pull the front cover open lever (1) to open the front cover (2) forward.

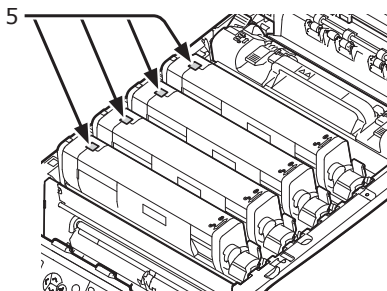


- 3 Press the output tray open button (3) and open the output tray (4).

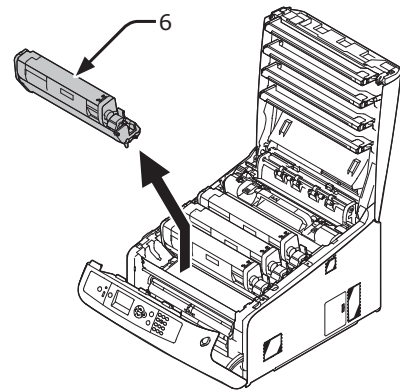
 <b>CAUTION</b>	<b>Possible to get burned.</b>	
<ul style="list-style-type: none"> <li>• The fuser unit is extremely hot. Do not touch it.</li> </ul>		



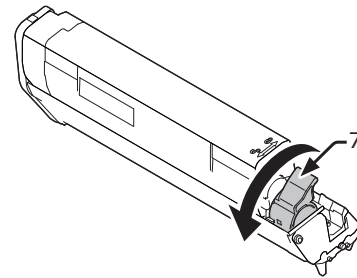
- 4 Identify an empty toner cartridge by its label color (5).





- 5 Remove the image drum (6) from the printer in the direction of the arrow and place the image drum on a flat surface.

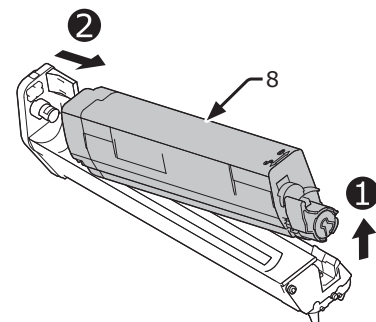


- 6 Turn the right blue lever (7) of the toner cartridge forward while pressing the top of the toner cartridge to unlock.

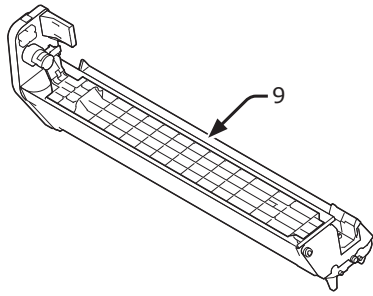


- 7 Lift the toner cartridge (8) from the right side, and remove it from the image drum.

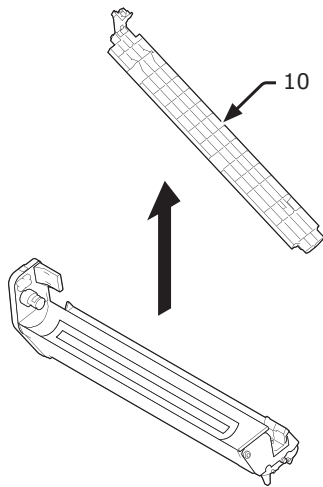
 <b>WARNING</b>	<b>Possible to get burned.</b>	
<ul style="list-style-type: none"> <li>• Do not throw a used image drum and toner cartridge in the fire. They may explode, and the toner inside may fly off and cause getting burned.</li> </ul>		



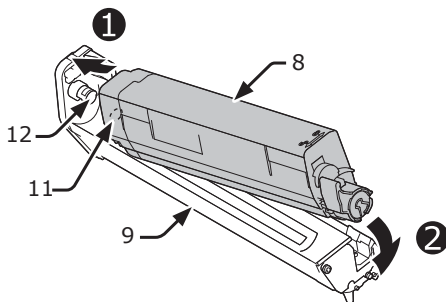
- 8** Remove the protective sheets. Place a new image drum (9) on a flat surface.



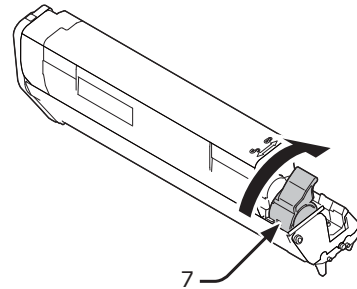
- 9** Remove the toner cover (10).



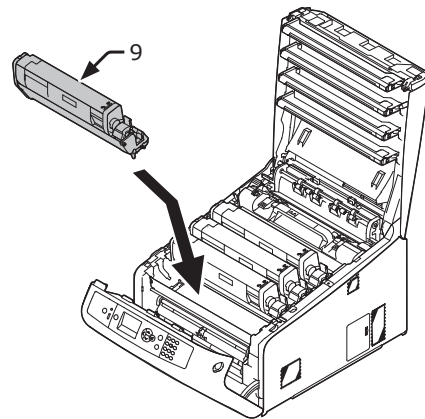
- 10** Insert the toner cartridge (8) taken out in step 7 to the image drum (9) by aligning its left side indentation (11) with the protrusion (12) on the image drum, and then fix the right side firmly into place.



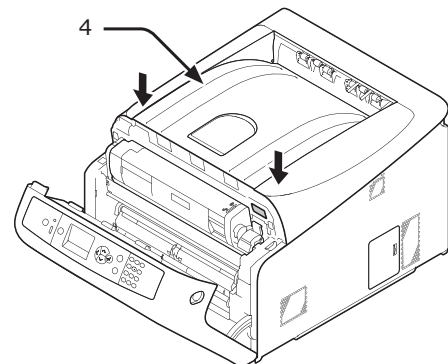
- 11** Turn the blue lever (7) of the toner cartridge backward until its top aligns on the ▲ mark.



- 12** Check a label color of a new image drum (9) and place the drum into a printer.



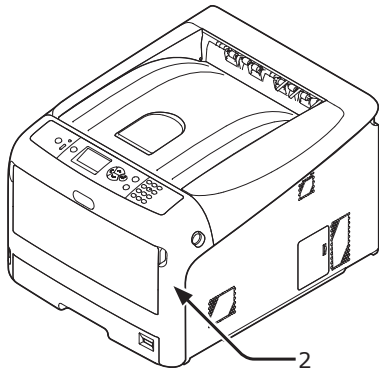
- 13** Close the output tray (4) by pushing the both sides of the cover firmly.



## 14 Close the front cover (2).

### ! Note

- The front cover cannot be closed if the output tray is not closed securely.



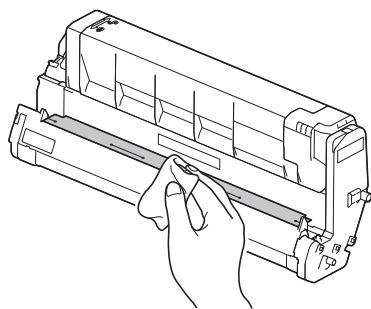
## 15 Please recycle image drums.

### Memo

- If you must dispose of an image drum, put it in a plastic bag or similar container and dispose of it in accordance with your municipality's ordinances or guidelines.

### ◆ If the light-shielding film of the image drum becomes dirty, wipe the film by following the procedures below.

- Open the front cover.
- Open the output tray.
- Remove the image drum.
- Wipe the light-shielding film with soft tissue paper.



- Put the image drum back to the printer.
- Close the output tray by pushing the both sides of the cover firmly.
- Close the front cover.

## Replacing the Belt Unit

### Life Span of Belt Unit

When the **"Belt Unit Near Life"** message appears on the display screen, prepare a replacement belt unit. You can keep printing approximately 1,000 pages until the next message appears.

When the **"Change Belt Unit"** message appears, replace the belt unit.

The life expectancy of the belt unit is approximately 30,000 pages for A4 simplex printing (three pages per job).

### ! Note

- The actual number of pages you can print with the belt unit depends on how you use it.

### ! Note

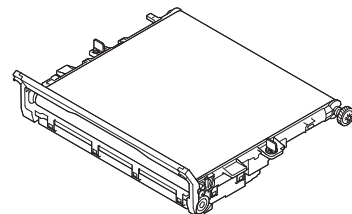
- Though opening and closing the output tray may extend the life of the belt unit somewhat, you should replace it soon after the **"Change Belt Unit"** is displayed to prevent malfunction.
- If you replace the belt unit, use it until the end of its useable life. If you remove the belt unit and install and use another one before its usable life has expired, the use life will not be correctly displayed.
- Press the scroll button ▼ or ▲ and select **[Admin Setup] > [Panel Setup] > [Near Life Status]**, if this is set to **[Disable]**, then the **"Belt Unit Near Life"** message does not appear.

### Procedure for Replacement

### ! Note

- The image drum (the green tube) is very delicate. Handle it carefully.
- Do not expose the image drum to direct sunlight or very bright interior light (approximately more than 1500 lux). Even under the normal interior light, do not leave it for more than 5 minutes.

#### 1 Prepare a replacement belt unit.

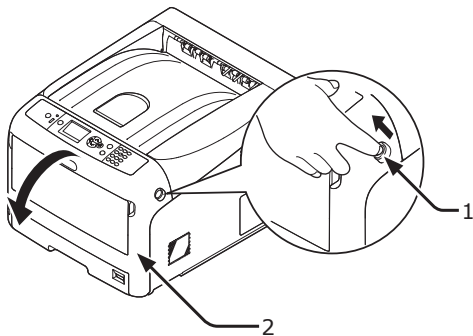


#### 2 Turn off your printer by pressing the power switch.



### Reference

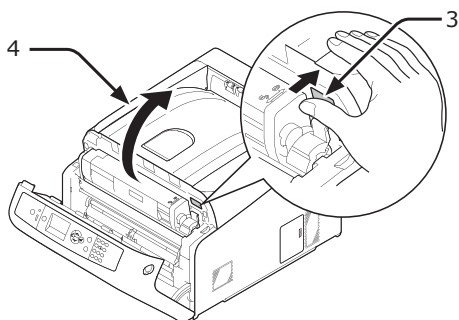
- "Turning Off the Power" P.22

- 3** Insert your finger into the recess on the right side of the printer and pull the front cover open lever (1) to open the front cover (2) forward.

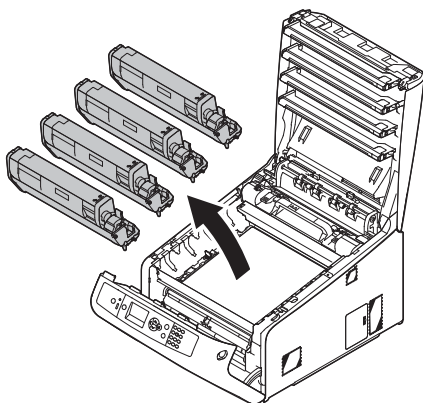


- 4** Press the output tray open button (3) and open the output tray (4).

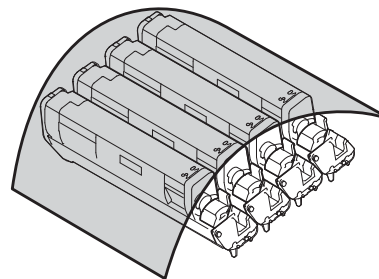
 <b>CAUTION</b>	<b>Possible to get burned.</b>	
<ul style="list-style-type: none"> <li>The fuser unit is extremely hot. Do not touch it.</li> </ul>		



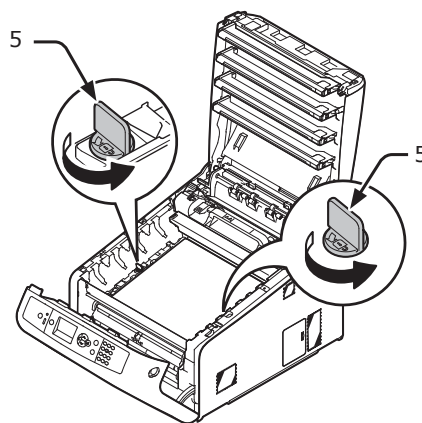
- 5** Take all the four image drums out of a printer, and then place them on a flat surface.



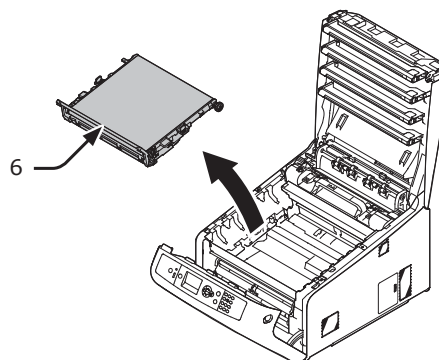
- 6** Cover the image drums you took out with paper so that the image drums do not expose to the light.



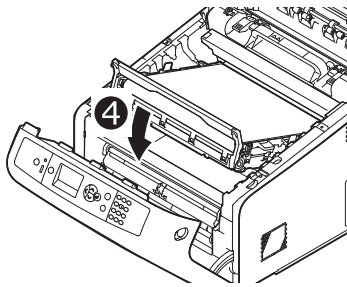
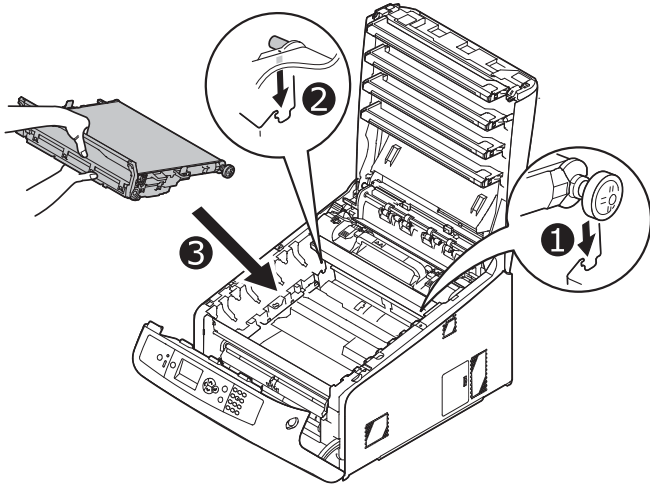
- 7** Turn the blue locks (5) on each side of the belt unit in direction of the arrow to unlock.



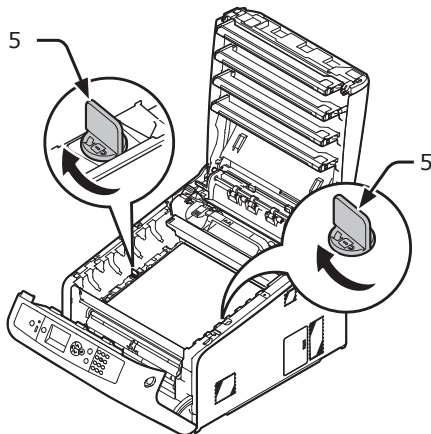
- 8** Remove the belt unit by holding the blue lever (6).



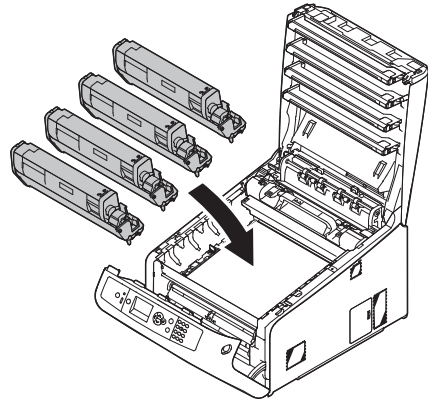
- 9** Hold the handle of a new belt unit with one hand and support lower part with other hand. Place the belt unit into the printer.



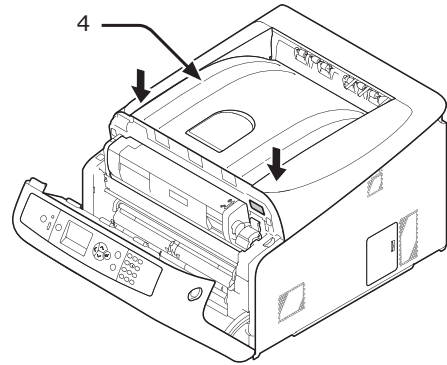
- 10** Turn the blue locks (5) on each side of the belt unit in direction of the arrow.



- 11** Return all the four image drums to the printer.



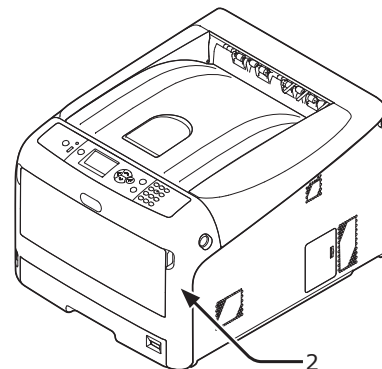
- 12** Close the output tray (4) by pushing the both sides of the cover firmly.



- 13** Close the front cover (2).

**Note**

- The front cover cannot be closed if the output tray is not closed securely.



- 14** Please recycle belt unit.

**Memo**

- If you must dispose of a belt unit, put it in a plastic bag or similar container and dispose of it in accordance with your municipality's ordinances or guidelines.



## Replacing the Fuser Unit

### Life Span of Fuser Unit

When the “**Fuser Unit Near Life**” message appears on the display screen, prepare a replacement fuser unit. You can keep printing approximately 1,500 pages until the next message appears.

When the “**Change Fuser Unit**” message appears, replace the fuser unit.

The life expectancy of the fuser unit is up to 50,000 pages for A4 simplex printing.

**Note**

- The actual number of pages you can print with the fuser unit depends on how you use it.

**Note**

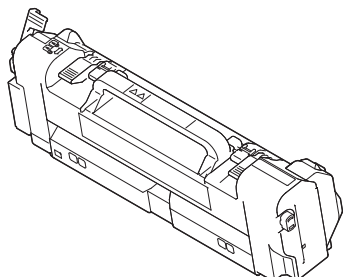
- Though opening and closing the output tray may extend the life of the fuser unit somewhat, you should replace it soon after “**Change Fuser Unit**” is displayed to prevent malfunction.
- If you replace the fuser unit, use it until the end of its useable life. If you remove the fuser unit and install and use another one before its usable life has expired, the use life will not be correctly displayed.
- Press the scroll button ▼ or ▲ and select [**Admin Setup**] > [**Panel Setup**] > [**Near Life Status**], if this is set to [**Disable**], then the “**Fuser Unit Near Life**” message does not appear.

### Replacement Procedure

**Note**

- Do not expose the image drum to direct sunlight or very bright interior light (approximately more than 1500 lux). Even under the normal interior light, do not leave it for more than 5 minutes.

1 Prepare a new fuser unit.

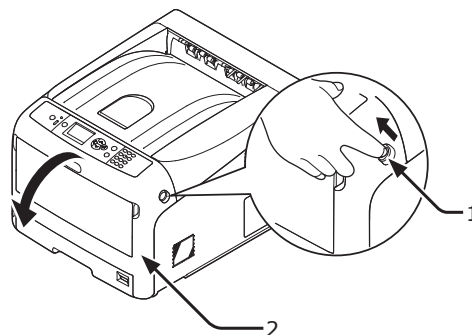


2 Turn off your printer by pressing the power switch.

**Reference**

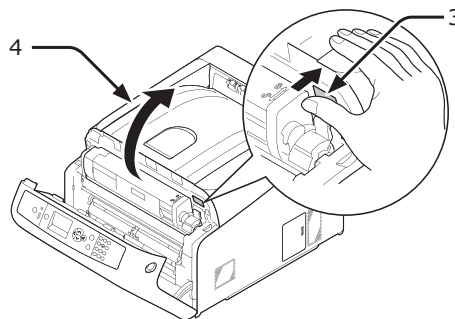
- “Turning Off the Power” P.22

3 Insert your finger into the recess on the right side of the printer and pull the front cover open lever (1) to open the front cover (2) forward.

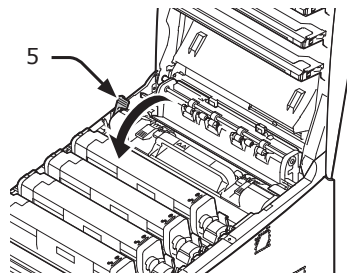


4 Press the output tray open button (3) and open the output tray (4).

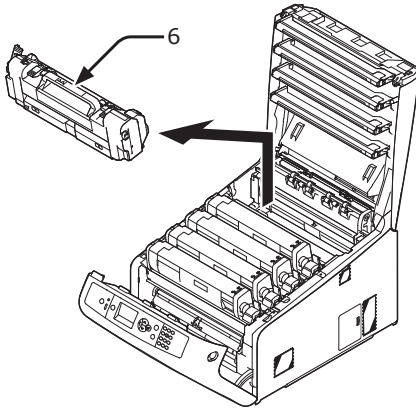
<b>CAUTION</b>	<b>Possible to get burned.</b>	
<ul style="list-style-type: none"> <li>• Since the fuser unit gets hot, carry out the operation carefully, and when lifting it up you must hold it by the handle. Do not try to hold it whilst it is hot. Wait until it has cooled down and then carry out the operation.</li> </ul>		



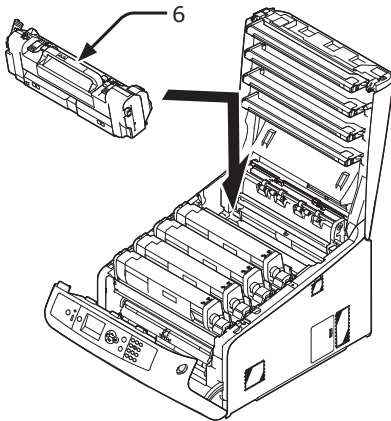
5 Pull forward the left locking lever (5) of the fuser unit to unlock.



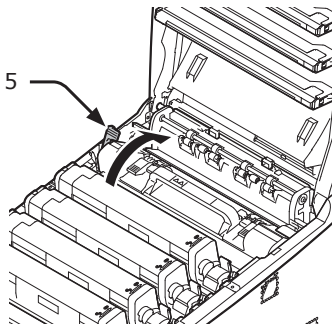
**6** Hold the fuser unit handle (6) and lift the fuser unit out of the printer.



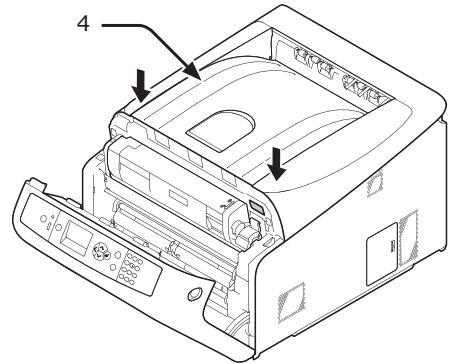
**7** Hold the fuser unit handle (6) and place the fuser unit into the printer.



**8** Push back the left locking lever (5) of the fuser unit to lock.



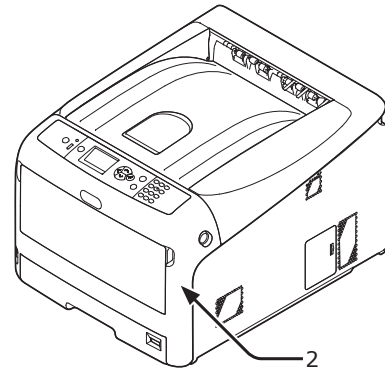
**9** Close the output tray (4) by pushing the both sides of the cover firmly.



**10** Close the front cover (2).

**! Note**

- The front cover cannot be closed if the output tray is not closed securely.



**11** Please recycle fuser unit.

**Memo**

- If you must dispose of a fuser unit, put it in a plastic bag or similar container and dispose of it in accordance with your municipality's ordinances or guidelines.

## ● Cleaning

This section explains how to clean each part of your printer.

### Cleaning the Surface of the Printer

**! Note**

- Do not use benzine, thinners, or alcohol as a cleaning agent. They may damage the plastic parts of the printer.
- Do not lubricate your printer with oil.

**1** Turn off your printer by pressing the power switch.

**Reference**

- "Turning Off the Power" P.22

**2** Wipe the surface of the printer with a soft cloth lightly moistened with water or neutral detergent.

**3** Dry the surface of the printer with a dry soft cloth.

### Cleaning Paper Feed Rollers

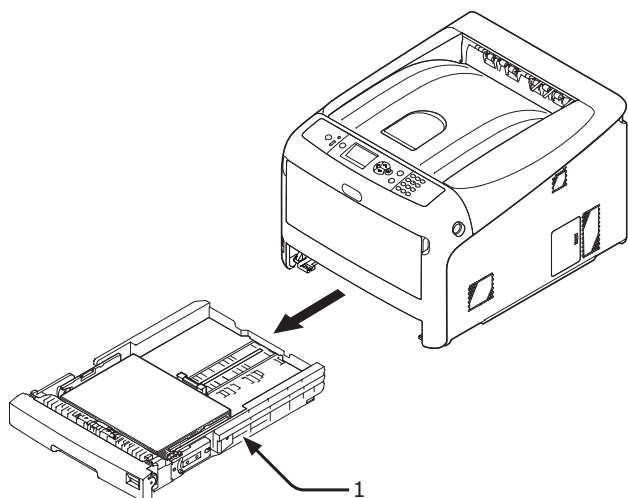
Clean the paper feed rollers if paper jams occur frequently.

**! Note**

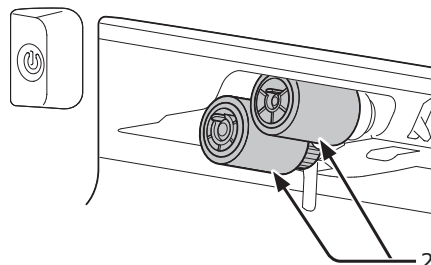
- You should replace the paper feed rollers if paper jams keep occurring even after cleaning the paper feed rollers.

#### For Tray 1

**1** Pull out the tray (1).

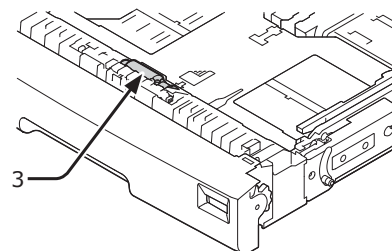


**2** Wipe the two paper feed rollers (2) inside the printer with a wet cloth that has been wrung out well.



**3** Remove paper loaded in the tray.

**4** Wipe the paper feed roller (3) on the tray with a wet cloth that has been wrung out well.

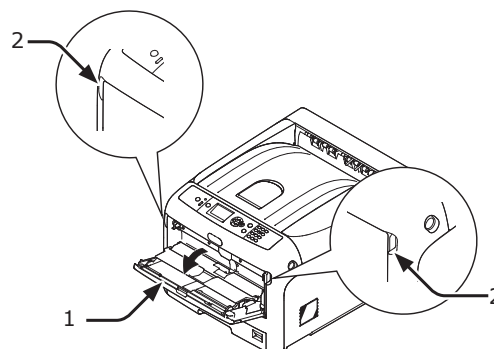


**5** Load paper in the tray.

**6** Push the tray back into the printer.

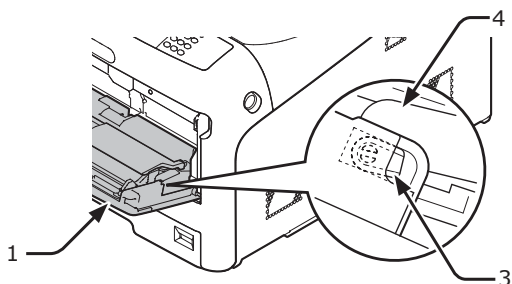
#### For MP Tray

**1** Open the MP tray (1) forward by inserting your fingers into the front recesses (2).

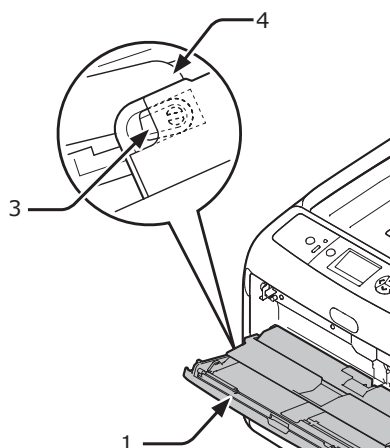




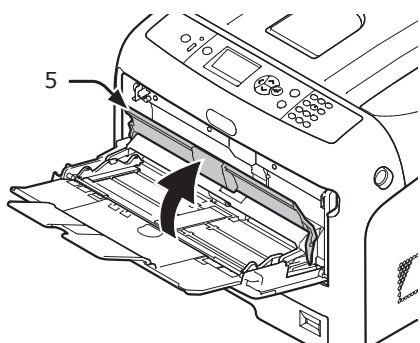
- 2** Release the tab (3) of the paper feed roller cover by pressing the right arm (4) inward while lifting up the MP tray (1) lightly.



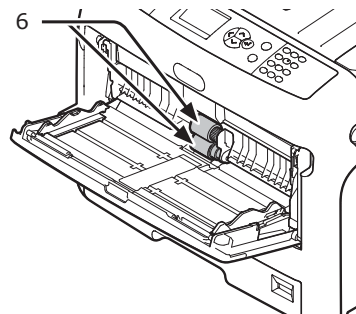
- 3** Also press the left arm (4) inward while lifting up the MP tray (1) lightly to release the tab (3) of the paper feed roller cover.



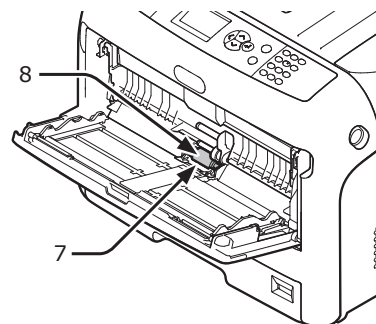
- 4** Open the paper set cover (5) until touching the printer.



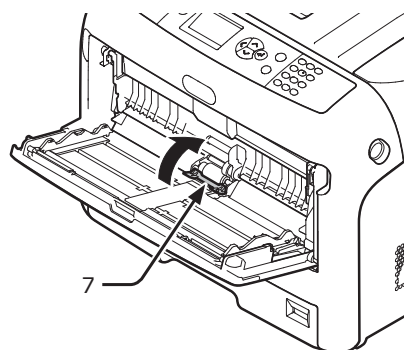
- 5** Wipe the two paper feed rollers (6) with a wet cloth that has been wrung out well.



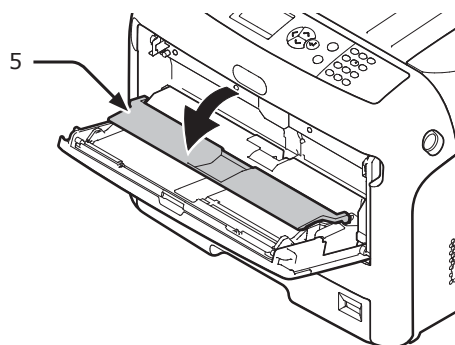
- 6** Open the separation roller cover (7) forward while pressing the center part of the MP tray. Wipe the two separation roller (8) with a wet cloth that has been wrung out well.



- 7** Close the separation roller cover (7).



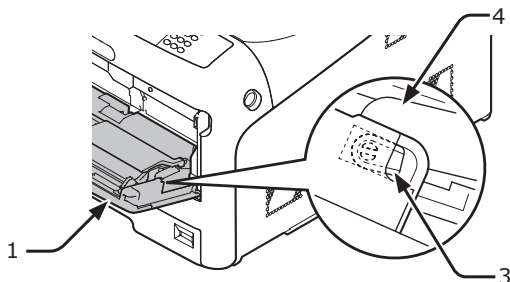
- 8** Lower the paper set cover (5).



**9** Hook one tab (3) of the paper feed roller cover by pressing the right arm (4) inward while lifting up the MP tray (1) lightly.

**! Note**

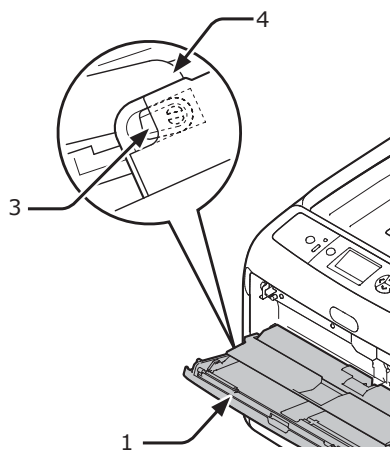
- If closing the MP tray without returning the tab to the correct position, the paper set cover may be broken. Be sure to return the tab to the original position.



**10** Also hook the other tab (3) of the paper feed roller cover by pressing the left arm (4) inward while lifting up the MP tray (1) lightly.

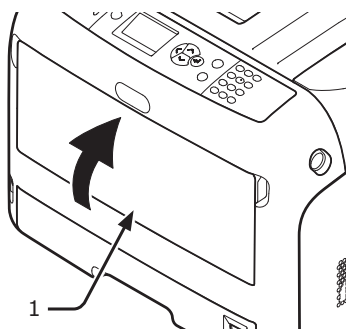
**! Note**

- If closing the MP tray without returning the tab to the correct position, the paper set cover may be broken. Be sure to return the tab to the original position.



**11** Close the MP tray (1).

If the MP tray cannot be closed, return the paper set cover to the correct position by pressing the paper loading part on the MP tray downward.



## Cleaning LED Heads

Clean the LED heads if vertical lines appear, images are fading vertically, or the periphery of letters is smudged in the printouts. Dirt on the LED heads may also cause paper jams.

**! Note**

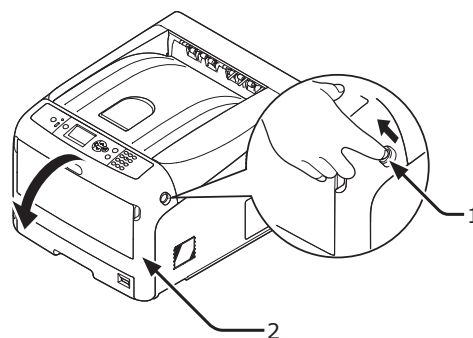
- Do not use methyl alcohol or thinners as a cleaning agent. They may damage the LED heads.
- Do not expose the image drum to direct sunlight or very bright interior light (approximately more than 1500 lux). Even under the normal interior light, do not leave it for more than 5 minutes.

**1** Turn off your printer by pressing the power switch.



**Reference**

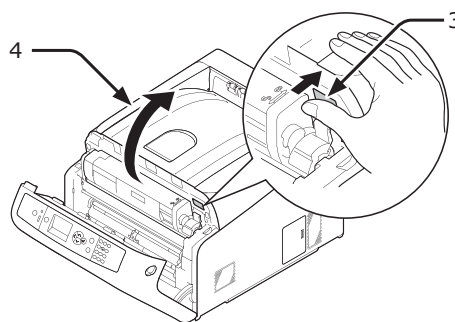
- "Turning Off the Power" P.22

**2** Insert your finger into the recess on the right side of the printer and pull the front cover open lever (1) to open the front cover (2) forward.

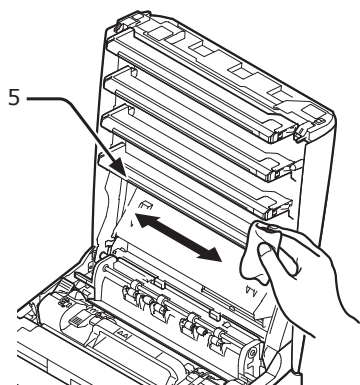


**3** Press the output tray open button (3) and open the output tray (4).

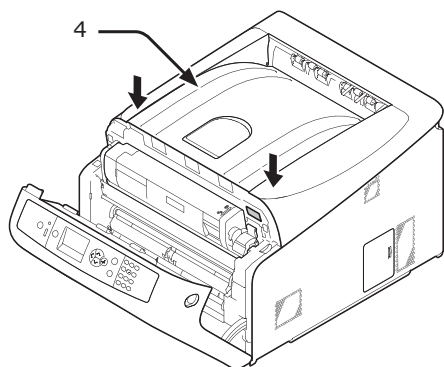
 <b>CAUTION</b>	<b>Possible to get burned.</b>	
<ul style="list-style-type: none"> <li>• The fuser unit is extremely hot. Do not touch it.</li> </ul>		



- 4 Lightly wipe the lenses (5) of the LED heads with soft tissue paper.



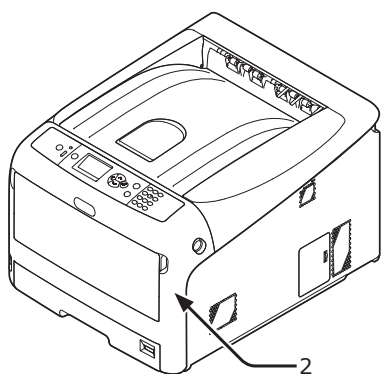
- 5 Close the output tray (4) by pushing the both sides of the cover firmly.



- 6 Close the front cover (2).

**Note**

- The front cover cannot be closed if the output tray is not closed securely.



# ● Moving or Transporting Your Printer

This section explains how to move or transport your printer.

## Moving Your Printer

<b>⚠ CAUTION</b>	<b>It may cause injury.</b>	<b>⚠</b>
<ul style="list-style-type: none"> <li>At least two people are needed to lift the printer safely because it weighs about 37 Kg.</li> </ul>		

**1** Turn off your printer by pressing the power switch.

**Reference**

- “Turning Off the Power” P.22

**2** Unplug all the cables.

- AC cord and ground wire
- Ethernet or USB cable

**3** Remove any paper from the paper trays.

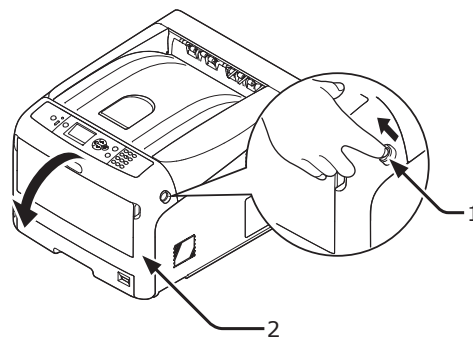
**4** Lift your printer and move it to a new location.

**2** Unplug all the cables.

- AC cord and ground wire.
- Ethernet or USB cable.

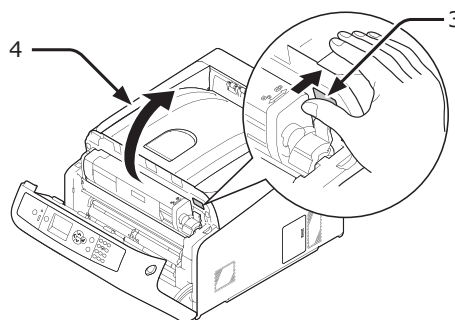
**3** Remove any paper from the paper trays.

**4** Insert your finger into the recess on the right side of the printer and pull the front cover open lever (1) to open the front cover (2) forward.



**5** Press the output tray open button (3) and open the output tray (4).

<b>⚠ CAUTION</b>	<b>Possible to get burned.</b>	<b>⚠</b>
<ul style="list-style-type: none"> <li>The fuser unit is extremely hot. Do not touch it.</li> </ul>		



## Transporting Your Printer

<b>⚠ CAUTION</b>	<b>It may cause injury.</b>	<b>⚠</b>
<ul style="list-style-type: none"> <li>At least two people are needed to lift the printer safely because it weighs about 37 Kg.</li> </ul>		

<b>⚠ CAUTION</b>	<b>Possible to get burned.</b>	<b>⚠</b>
<ul style="list-style-type: none"> <li>The fuser unit is extremely hot. Do not touch it.</li> </ul>		

**Note**

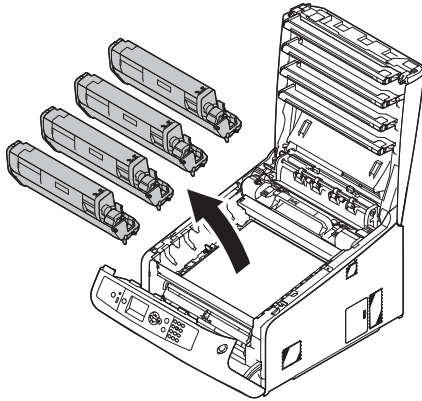
- The image drum (the green tube) is very delicate. Handle it carefully.
- Do not expose the image drum to direct sunlight or very bright interior light (approximately more than 1500 lux). Even under the normal interior light, do not leave it for more than 5 minutes.

**1** Turn off your printer by pressing the power switch.

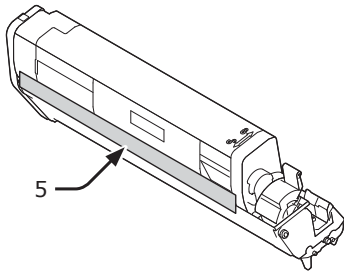
**Reference**

- “Turning Off the Power” P.22

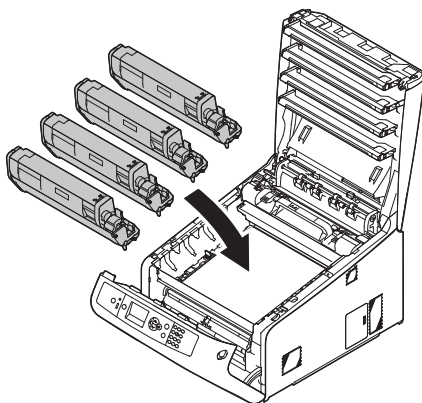
- 6** Hold the toner cartridges with both hands and remove them with the image drums. Remove all the toner cartridges and image drums, and place them on a flat surface.



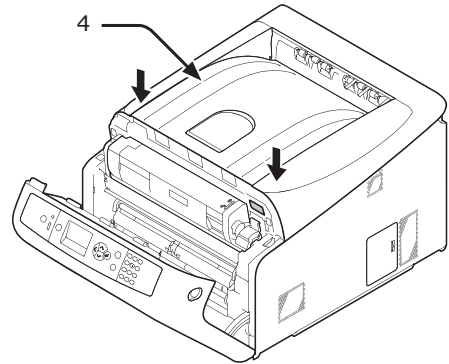
- 7** Secure each toner cartridge to each image drum with vinyl tape (5).



- 8** Return all the toner cartridges and image drums to the printer.



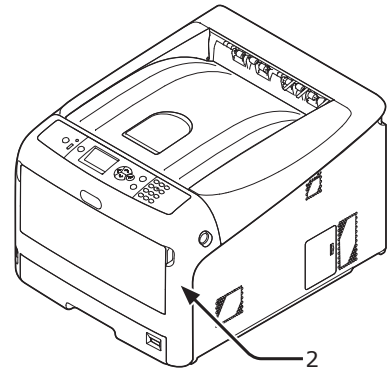
- 9** Close the output tray (4) by pushing the both sides of the cover firmly.



- 10** Close the front cover (2).

**! Note**

- The front cover cannot be closed if the output tray is not closed securely.



- 11** Protect your printer with packing materials.

- 12** Lift your printer and put it in a box.

**! Note**

- Use the packing materials attached to your printer when purchased.
- After transporting or when setting up again, remove the vinyl tape used to secure the image drum and toner cartridges.

## ● Before Machine Disposal

---

Before this machine is disposed of, it is recommended to erase the registered privacy data and the stored data.

The data stored in the machine is shown below.

- Admin password
- Registered settings in various menus
- Private printing data
- Various records
- Access control, user management data (local user, external user cache [**LDAP, Kerberos**])

### 4

#### 4. Maintenance

- 1 Press the scroll button ▼ or ▲ on the operator panel.
- 2 Press the scroll button ▼ to select [**Admin Setup**], and press the <**ENTER**> button.
- 3 Input the admin password.
- 4 Select [**Others Setup**] > [**Erase Privacy Data**].
- 5 Once [**Are You Sure?**] is displayed, select [**Yes**], and press the <**ENTER**> button.
- 6 Once [**Would you like really?**] is displayed, select [**Yes**], and press the <**ENTER**> button.

Restart the machine to erase the data.

#### ! Note

- Once the action is executed, the erased data cannot be restored. To cancel the erasing, select [**No**] in Step 5 or Step 6.

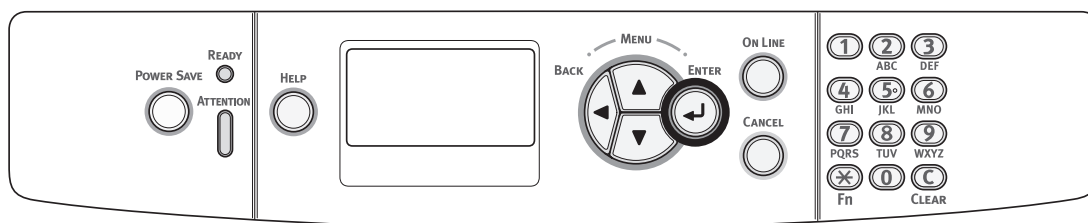
# 5. Appendix

This chapter explains the specifications of your printer.

## ● Menu List of the Operator Panel

### Checking the Printer's Status with the Display Screen

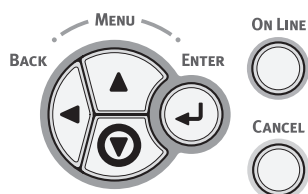
From the <ENTER> button on the operator panel, you can check the status of your printer.



### Checking the Device Status

You can check the residual life of the consumables, counter information, network settings and system information on the display screen.

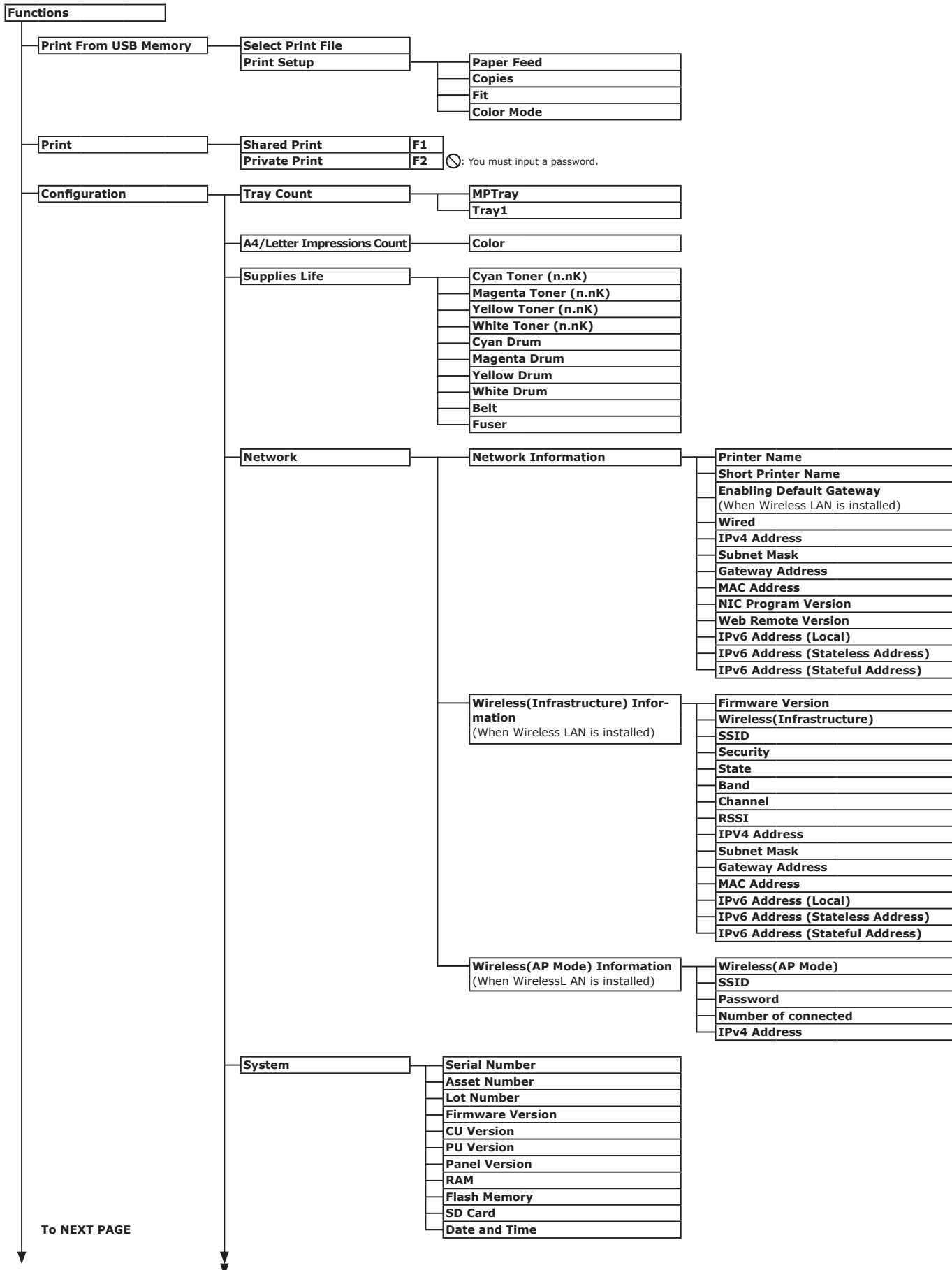
- 1 Press the ▼ button on the operator panel to open the status menu.



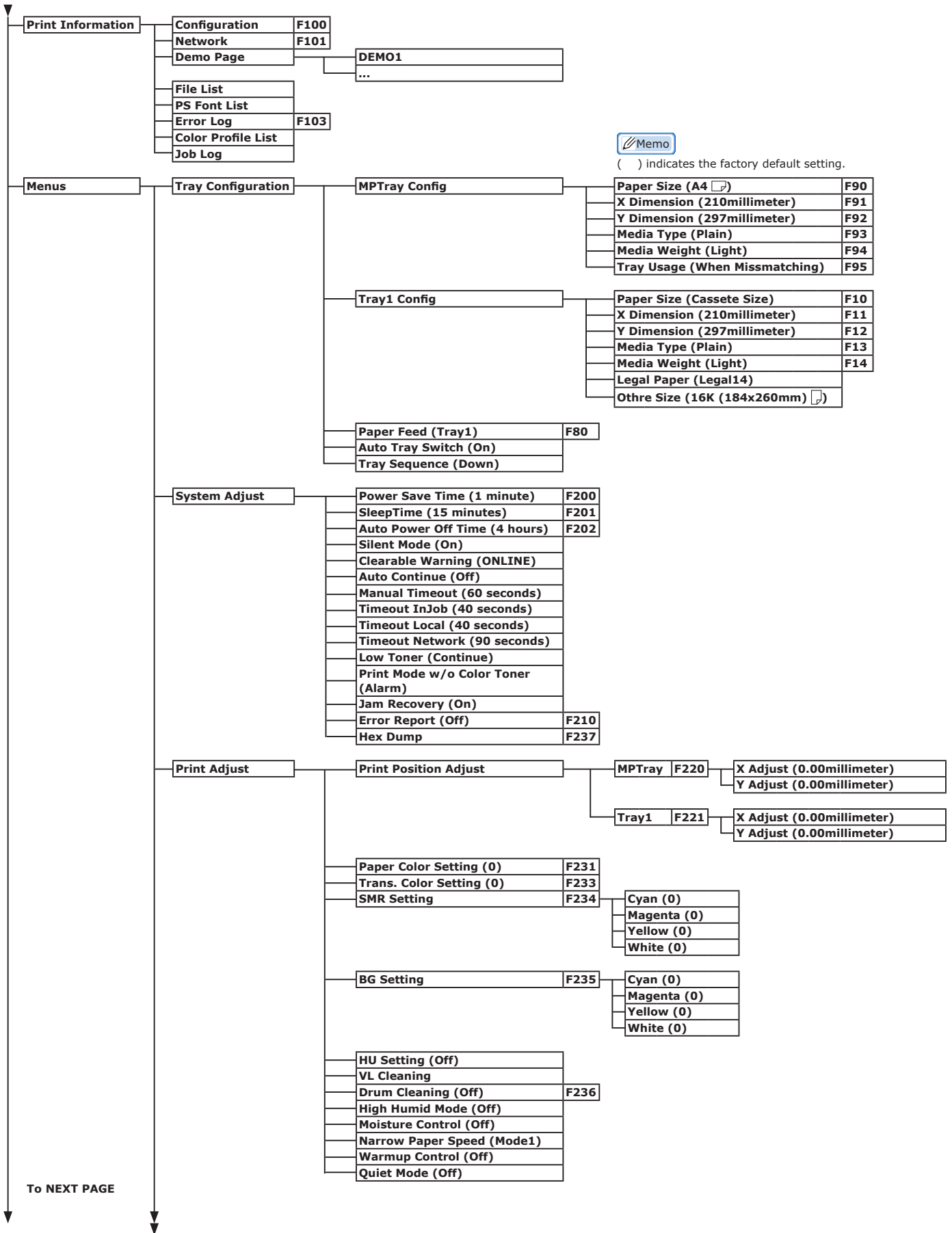
- 2 Press the scroll button ▼ to select the item you want to check and then press the <ENTER> button.

# Menu List of the Operator Panel

The function number is described on the right of each item.



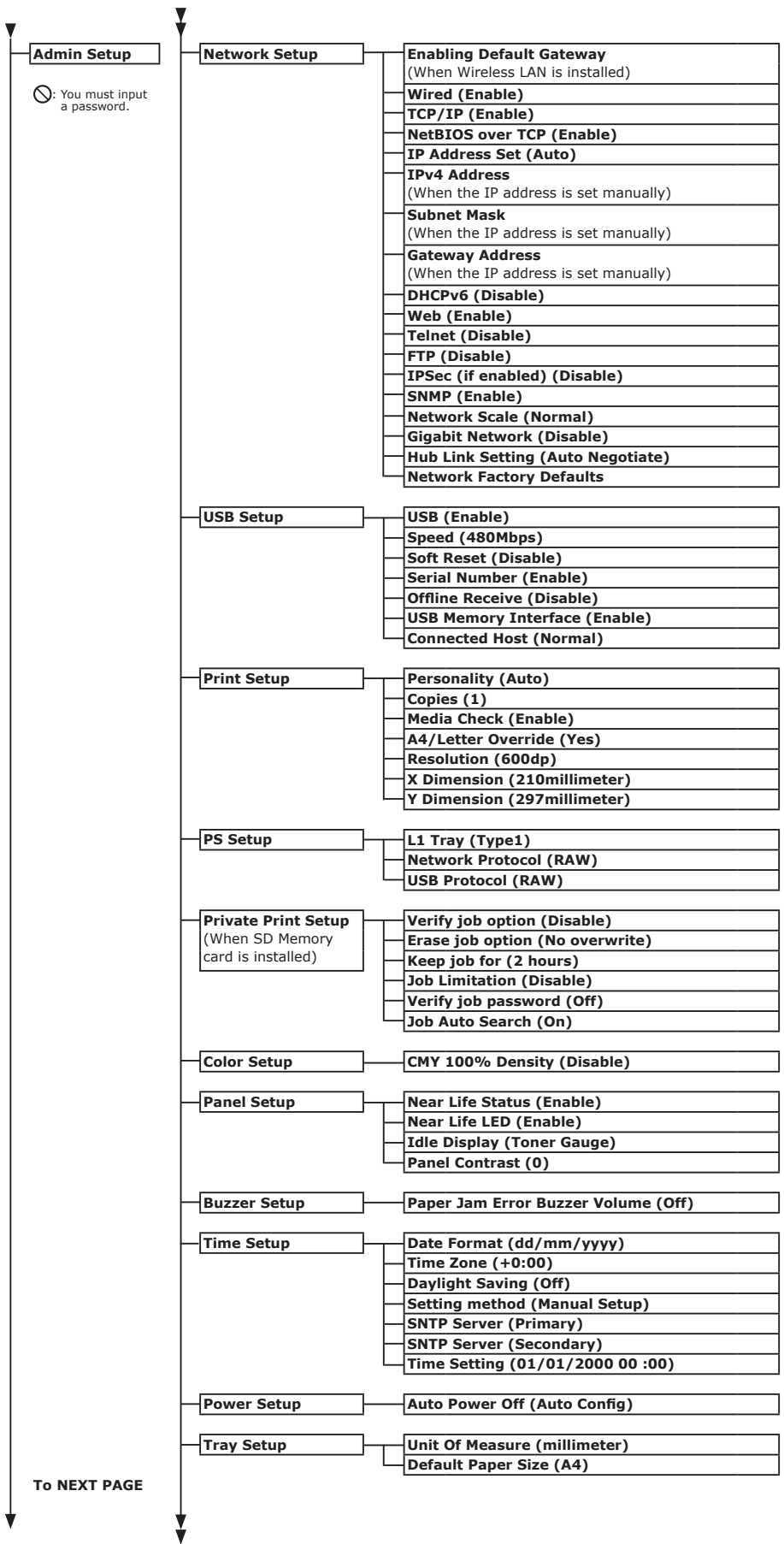




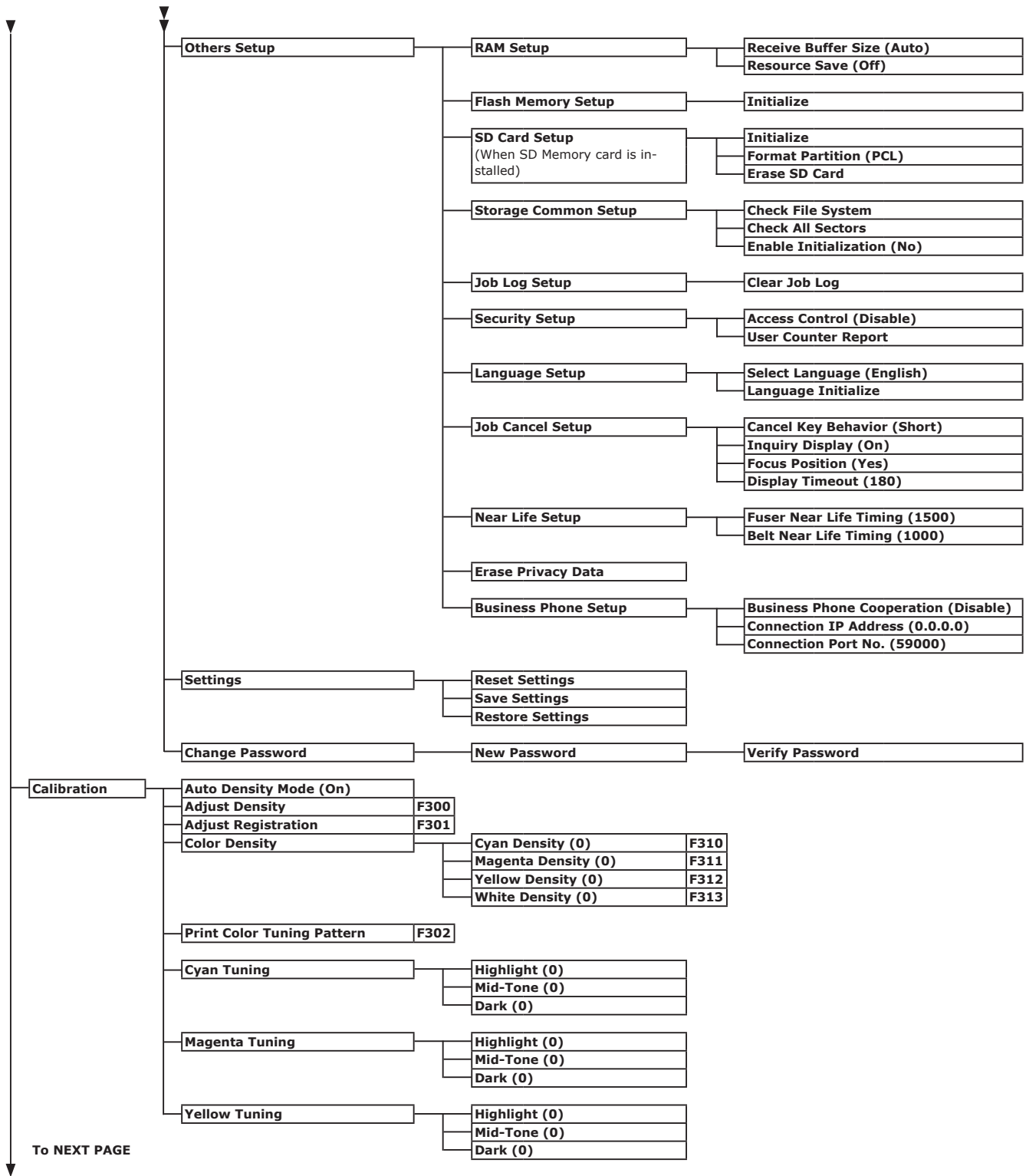
Memo

( ) indicates the factory default setting.

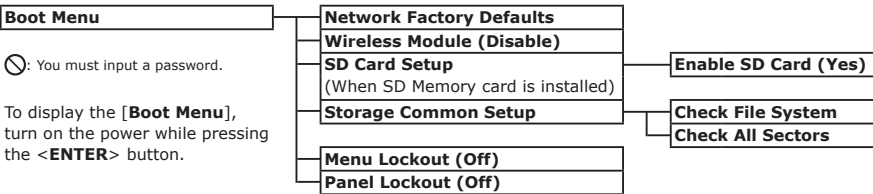
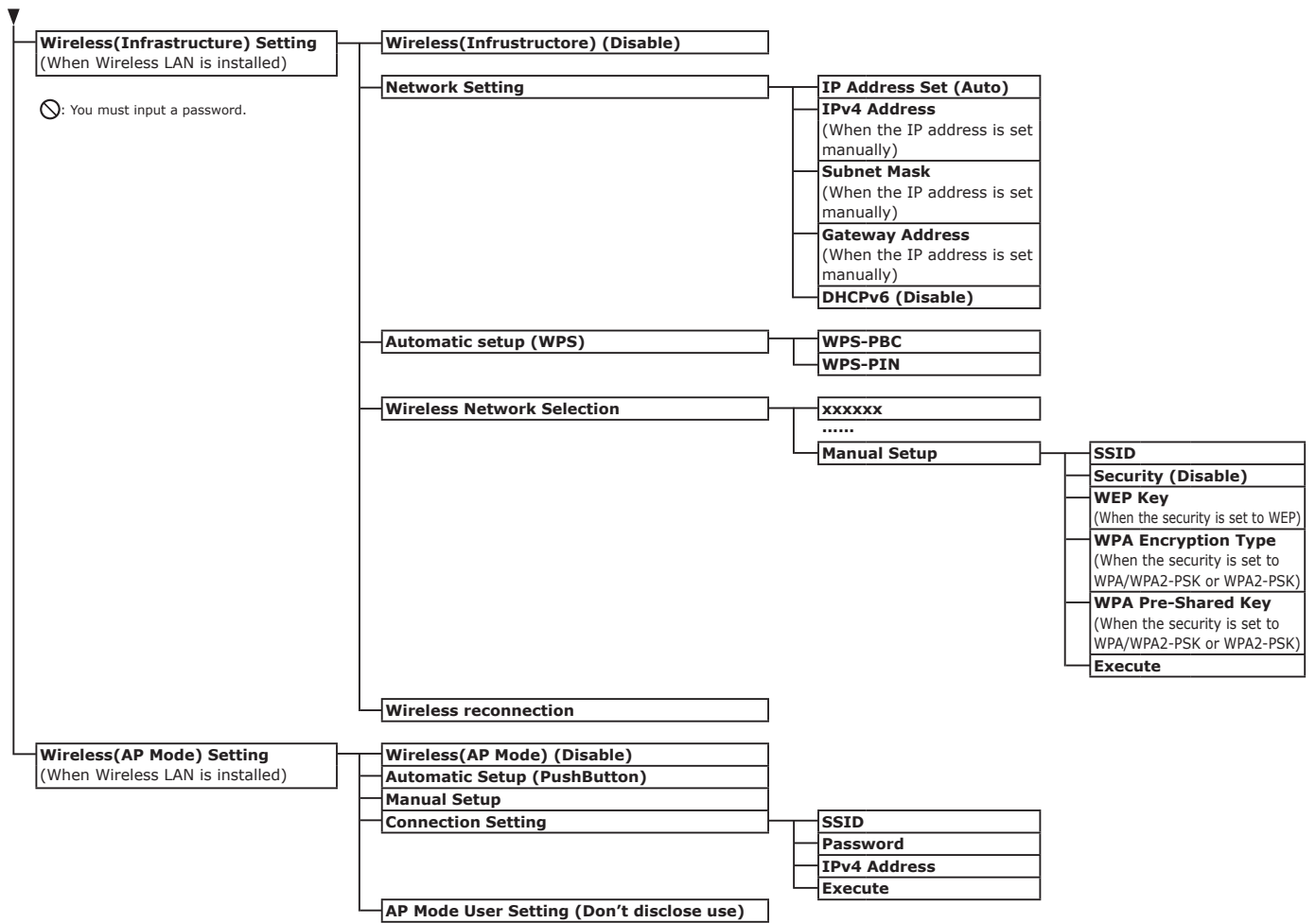
To NEXT PAGE



To NEXT PAGE



To NEXT PAGE



## ● Specifications

Model	Model Number
Pro8432WT	N35100A, N35100B

### ■ General Specifications

		Pro8432WT
CPU		PowerPC464FP, 800 MHz
Memory (Maximum 768 MB)	Resident	256 MB
	Option	256 MB/512 MB
Flash ROM		System Memory : 128MB
Storage Device		SD memory card kit ● Optional 16 GB
Weight		37 Kg (including consumables)
Dimensions		449(W) x 552(D) x 360(H) mm
Power supply		N35100A : 110 - 127 VAC (Range 99 - 140 VAC), 50/60 Hz ± 2% N35100B : 220 - 240 VAC (Range 198 - 264 VAC), 50/60 Hz ± 2%
Power consumption	Typical operation	700 W
	Idle	100 W
	Peak	1400 W
	Deep sleep mode	Voltage 110 - 127 VAC : Less than 0.7 W Voltage 220 - 240 VAC : Less than 1.0W
	Power save mode	Less than 12 W
	Off mode	Voltage 110 - 127 VAC : Less than 0.1 W Voltage 220 - 240 VAC : Less than 0.15 W
Interface		USB 2.0 (Hi-Speed), Ethernet 10BASE-T/100BASE-TX/1000BASE-TX
Display		Graphics panel 60(W) x 32.6(H) mm, 128 x 64 dots
Supported OS		<ul style="list-style-type: none"> <li>● Windows 10, Windows 8.1, Windows 8, Windows 7, Windows Vista, Windows Server 2016, Windows Server 2012 R2, Windows Server 2012, Windows Server 2008 R2, Windows Server 2008</li> <li>● OS X 10.8.5-macOS Sierra</li> </ul> Please refer to product requirements for details.

## ■ Printing Specifications

		<b>Pro8432WT</b>
Printing method		Dry electrophotographic recording method with LED (Light-emitting diode)
Emulation language		PostScript 3
Resident fonts		PS: 80 european fonts
Resolution		600 x 600 dpi, 600 x 1200 dpi, 600 x 600 dpi 2bit
Color		Yellow, Magenta, Cyan, White
Print speed (A4)		Simplex: 35 ppm
Paper size	Tray 1	Legal 13/13.5/14, letter, executive, tabloid, A3, A4, A5, B5, B4, A6, B6, Statement, 8.5SQ, Folio, custom size, 8K (260 x 368 mm, 270 x 390 mm, 273 x 394 mm), 16K (197 x 273 mm, 195 x 270 mm, 184 x 260 mm)
	MP Tray	Legal 13/13.5/14, letter, executive, tabloid, statement, A3, A4, A5, B4, B5, A6, B6, B6 Half, 8.5SQ, Folio, 4x6inch, 5x7inch, index card (3 x 5 inch), custom size, 8K (260 x 368 mm, 270 x 390 mm, 273 x 394 mm), 16K (197 x 273 mm, 195 x 270 mm, 184 x 260 mm)
	Custom size	<ul style="list-style-type: none"> <li>● Tray 1 105 - 297 mm (W), 148, 182 - 431 mm (L) (4.1 - 11.7 inches (W), 5.8 - 17.0 inches (L))</li> <li>● MP tray 64 - 297 mm (W), 90 mm - 431 mm (L) (2.5 - 11.7 inches (W), 3.5 inches - 17.0 inches (L))</li> </ul>
Media type		Plain paper (64 g/m <sup>2</sup> - 256 g/m <sup>2</sup> ), letterhead, transparency, bond, recycle, card stock, rough
Feeding method		Automatic feeding from the tray 1 and MP tray Manual feeding from MP tray
Paper loading capacity		<ul style="list-style-type: none"> <li>● Tray 1 300 sheets of Standard paper /80 g/m<sup>2</sup>, total thickness 30 mm or lower.</li> <li>● MP tray 100 sheets of Standard paper /80 g/m<sup>2</sup> and total thickness 10 mm or lower, 10 envelopes/ weight of 85 g/m<sup>2</sup>.</li> </ul>
Output method		Face up/Face down
Paper output capacity		<ul style="list-style-type: none"> <li>● Face up 100 sheets (less than 80 g/m<sup>2</sup>), 10 sheets (ultra-heavy/envelopes)</li> <li>● Face down 200 sheets (less than 80 g/m<sup>2</sup>)</li> </ul>
Print guaranteed area		6.35 mm or more from the paper edge (not applicable to special media such as envelopes)
Print precision		Print beginning: ± 2 mm, paper skew: ± 1 mm/100 mm, image expansion: ± 1 mm/100 mm (80 g/m <sup>2</sup> )
Warm-up time		<ul style="list-style-type: none"> <li>● From power on 32 seconds (at room temperature 25°C, rated voltage)</li> <li>● From power save mode 27 seconds (at room temperature 25°C, rated voltage)</li> </ul>
Operating environment		<ul style="list-style-type: none"> <li>● When in operation 10 - 32°C / Relative Humidity of 20 - 80% (maximum wet bulb temperature of 25°C, maximum dry bulb temperature of 2°C)</li> <li>● When not in operation 0 - 43°C / Relative Humidity of 10 - 90% (maximum wet bulb temperature of 26.8°C, maximum dry bulb temperature of 2°C)</li> </ul>
Conditions for the guarantee of print quality		<ul style="list-style-type: none"> <li>● Operating Range Temperature 10°C, humidity 20 to 80% RH Temperature 32°C, humidity 20 to 60% RH Humidity 20% RH, temperature 10 to 32°C Humidity 80% RH, temperature 10 to 27°C</li> <li>● Full-color Print Quality Assured Range Temperature 17 to 27°C, humidity 50 to 70% RH</li> </ul>
Consumables, Maintenance Unit		Toner cartridges, image drum, belt unit, fuser unit, feed roller set

## ■ Network Specifications

<b>Pro8432WT</b>	
Interface	Ethernet 10BASE-T/100BASE-TX/1000BASE-TX
Protocol	TCP/IPv4&v6, NetBIOS over TCP, DHCP, DHCPv6, BOOTP, HTTP, HTTPS, DNS, DDNS, WINS, UPNP, Bonjour, SMTP, SMTPS, POP3, POP3S, SNMPv1&v3, SNTP, IPP, IPPS, WSD Print, LLTD, IEEE802.1X, LPR, Port9100, Telnet, FTP, FTPS, IPSec, Secure Protocol Server, LDAP, LDAPS

## Wireless LAN Specifications (Option)

Item	
Wireless LAN standard	IEEE802.11a/b/g/n conformity (2.4 GHz / 5 GHz)
Security	Disable, WEP, WPA-PSK, WPA2-PSK, WPA-EAP, WPA2-EAP

### Regulatory wireless LAN statements

- FCC Statement
- IC Statement
- Europe-CE Declaration of conformity.

### FCC statement

#### FCC WARNING

Changes or modifications not expressly approved by the party responsible for compliance could void the user's authority to operate the equipment.

Note: This equipment has been tested and found to comply with the limits for a Class B digital device, pursuant to part 15 of the FCC Rules. These limits are designed to provide reasonable protection against harmful interference in a residential installation. This equipment generates, uses and can radiate radio frequency energy and, if not installed and used in accordance with the instructions, may cause harmful interference to radio communications. However, there is no guarantee that interference will not occur in a particular installation. If this equipment does cause harmful interference to radio or television reception, which can be determined by turning the equipment off and on, the user is encouraged to try to correct the interference by one or more of the following measures:

- Reorient or relocate the receiving antenna.
- Increase the separation between the equipment and receiver.
- Connect the equipment into an outlet on a circuit different from that to which the receiver is connected.
- Consult the dealer or an experienced radio/TV technician for help.

This transmitter must not be co-located or operating in conjunction with any other antenna or transmitter.

### IC statement

This device complies with Part 15 of FCC Rules and Industry Canada licence-exempt RSS standard(s). Operation is subject to the following two conditions: (1) this device may not cause interference, and (2) this device must accept any interference, including interference that may cause undesired operation of this device.

Le présent appareil est conforme aux la partie 15 des règles de la FCC et CNR d'Udustrie Canada applicables aux appareils radio exempts de licence. L'exploitation est autorisée aux deux conditions suivantes : (1) l'appareil ne doit pas produire de brouillage, et (2) l'utilisateur de l'appareil doit accepter tout brouillage radioélectrique subi, même si le brouillage est susceptible d'en compromettre le fonctionnement.

This Class [B] digital apparatus complies with Canadian ICES-003.

Cet appareil numérique de la classe [B] est conforme à la norme NMB-003 du Canada.

### Caution (FCC/IC):

5.15-5.25 GHz band is restricted to indoor operations only.

La bande 5150-5250 MHz est restreints à une utilisation à l'intérieur.

This equipment complies with FCC/IC radiation exposure limits set forth for an uncontrolled environment and meets the FCC radio frequency (RF) Exposure Guidelines and RSS-102 of the IC radio frequency (RF) Exposure rules. This equipment should be installed and operated keeping the radiator at least 20 cm or more away from person's body.



Cet équipement est conforme aux limites d'exposition aux rayonnements énoncées pour un environnement non contrôlé et respecte les règles des radioélectriques (RF) de la FCC lignes directrices d'exposition et d'exposition aux fréquences radioélectriques (RF) CNR-102 de l'IC. Cet équipement doit être installé et utilisé en gardant une distance de 20 cm ou plus entre le dispositif rayonnant et le corps.

Europe - CE Declaration of Conformity

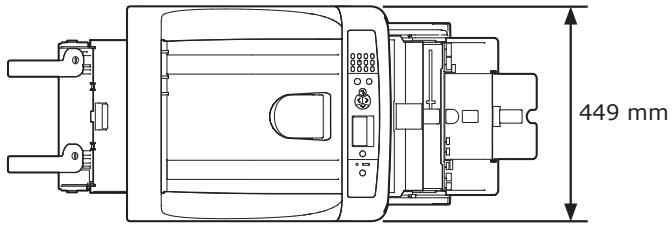


This equipment complies with the essential requirements of the European Union directive 2014/53/EU.

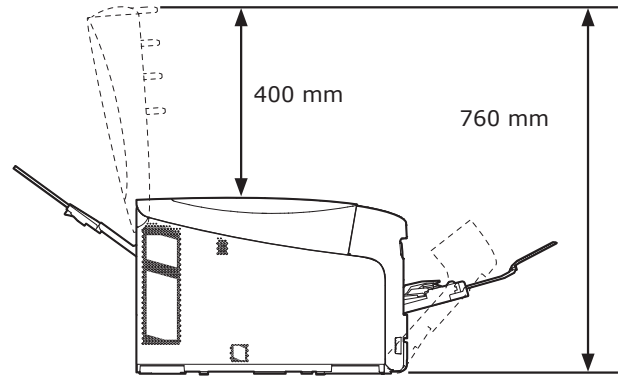
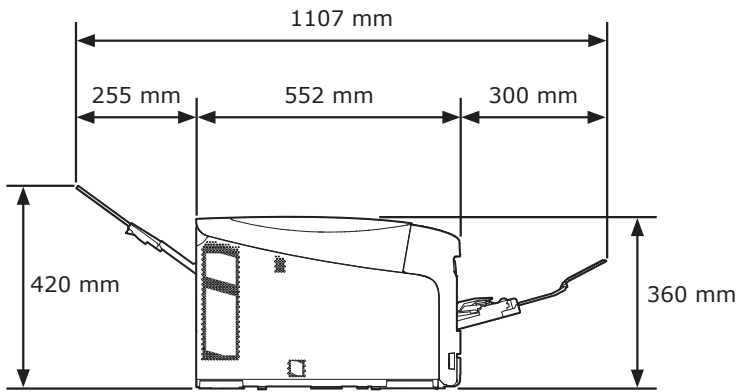
The telecommunications functionality of this product may be used in the following EU and EFTA countries: Austria, Belgium, Bulgaria, Cyprus, Czech Republic, Denmark, Estonia, Finland, France, Germany, Greece, Hungary, Iceland, Ireland, Italy, Latvia, Liechtenstein, Lithuania, Luxembourg, Malta, Netherlands, Norway, Poland, Portugal, Romania, Slovak Republic, Slovenia, Spain, Sweden, Switzerland, Turkey and United Kingdom.

## ■ Printer Dimensions

TOP VIEW



SIDE VIEW



# Index

---

## A

---

ATTENTION indicator..... 78

## B

---

Belt Unit..... 101

## C

---

Custom Sizes..... 52

## D

---

Deep Sleep Mode..... 60

## F

---

Feed Rollers..... 106

Fuser Unit ..... 104

## I

---

Image Drum ..... 98

Install

Printer Driver

(OS X) ..... 38, 42

Printer Driver

(Windows) ..... 34, 41

IP Address..... 34

## M

---

MP Tray..... 49

## O

---

OS X..... 30

Other Error Messages..... 78

Output Tray ..... 55

## P

---

Paper Jams ..... 66

Paper Size ..... 45, 47, 52

Paper Tray ..... 47, 52

Paper Weight ..... 45, 47

Placement Environment..... 16

Placement Space ..... 16

POWER SAVE button ..... 22

Power Supply Conditions ..... 21

Printer Driver..... 34, 38, 41, 42

Product Requirements ..... 30

## R

---

Rear Output Tray ..... 55

## T

---

Toner Cartridges..... 94

## W

---

Windows ..... 30

# Contact Us

---

Italia	<a href="http://www.oki.com/it">www.oki.com/it</a>
Français	<a href="http://www.oki.com/fr">www.oki.com/fr</a>
Deutschland	<a href="http://www.oki.com/de">www.oki.com/de</a>
United Kingdom	<a href="http://www.oki.com/uk">www.oki.com/uk</a>
Ireland	<a href="http://www.oki.com/ie">www.oki.com/ie</a>
España	<a href="http://www.oki.com/es">www.oki.com/es</a>
Portuguesa	<a href="http://www.oki.com/pt">www.oki.com/pt</a>
Sverige	<a href="http://www.oki.com/se">www.oki.com/se</a>
Danmark	<a href="http://www.oki.com/dk">www.oki.com/dk</a>
Norge	<a href="http://www.oki.com/no">www.oki.com/no</a>
Suomi	<a href="http://www.oki.com/fi">www.oki.com/fi</a>
Nederland	<a href="http://www.oki.com/nl">www.oki.com/nl</a>
België/Belgique	<a href="http://www.oki.com/be">www.oki.com/be</a>
Österreich	<a href="http://www.oki.com/at">www.oki.com/at</a>
Schweiz/Suisse/Svizzera	<a href="http://www.oki.com/ch">www.oki.com/ch</a>
Polska	<a href="http://www.oki.com/pl">www.oki.com/pl</a>
Česká	<a href="http://www.oki.com/cz">www.oki.com/cz</a>
Slovenská	<a href="http://www.oki.com/sk">www.oki.com/sk</a>
Magyarország	<a href="http://www.oki.com/hu">www.oki.com/hu</a>
Россия	<a href="http://www.oki.com/ru">www.oki.com/ru</a>
Україна	<a href="http://www.oki.com/ua">www.oki.com/ua</a>
Türkiye'ye	<a href="http://www.oki.com/tr">www.oki.com/tr</a>
Serbia	<a href="http://www.oki.com/rs">www.oki.com/rs</a>
Croatia	<a href="http://www.oki.com/hr">www.oki.com/hr</a>
Greece	<a href="http://www.oki.com/gr">www.oki.com/gr</a>
Romania	<a href="http://www.oki.com/ro">www.oki.com/ro</a>
OKI Europe	<a href="http://www.oki.com/eu">www.oki.com/eu</a>
Singapore	<a href="http://www.oki.com/sg/">www.oki.com/sg/</a>
Malaysia	<a href="http://www.oki.com/my/">www.oki.com/my/</a>
ประเทศไทย	<a href="http://www.oki.com/th/printing/">www.oki.com/th/printing/</a>
Australia	<a href="http://www.oki.com/au/">www.oki.com/au/</a>
New Zealand	<a href="http://www.oki.com/nz/">www.oki.com/nz/</a>
United States	<a href="http://www.oki.com/us/">www.oki.com/us/</a>
Canada	<a href="http://www.oki.com/ca/">www.oki.com/ca/</a>
Brasil	<a href="http://www.oki.com/br/printing">www.oki.com/br/printing</a>
México	<a href="http://www.oki.com/mx/">www.oki.com/mx/</a>
Argentina	<a href="http://www.oki.com/la/">www.oki.com/la/</a>
Colombia	<a href="http://www.oki.com/la/">www.oki.com/la/</a>
Other countries	<a href="http://www.oki.com/printing/">www.oki.com/printing/</a>



**Oki Electric Industry Co., Ltd.**

1-7-12 Toranomom, Minato-ku, Tokyo  
105-8460, Japan

[www.oki.com/printing/](http://www.oki.com/printing/)