

**OKI**

**MULTIFUNCTIONAL DIGITAL COLOR SYSTEMS**

# **Specifications Guide**

---

**ES9466 MFP/ES9476 MFP**



# Preface


---


Thank you for purchasing OKI Multifunctional Digital Systems or Multifunctional Digital Color Systems. This manual describes about the specifications of this equipment and the information of the options. Read this manual before using this equipment. Some models provide the scanning/printing function as an option.


## ■ How to read this manual


### □ Symbols in this manual


In this manual, some important items are described with the symbols shown below. Be sure to read these items before using this equipment.

 **WARNING** Indicates a potentially hazardous situation which, if not avoided, could result in death, serious injury, or serious damage, or fire in the equipment or surrounding assets.

 **CAUTION** Indicates a potentially hazardous situation which, if not avoided, may result in minor or moderate injury, partial damage to the equipment or surrounding assets, or loss of data.

 **Note** Indicates information to which you should pay attention when operating the equipment.

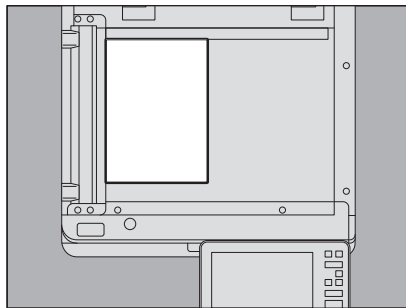
 **Tip** Describes handy information that is useful to know when operating the equipment.

 Pages describing items related to what you are currently doing. See these pages as required.

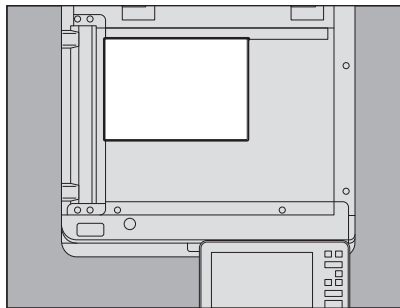
### □ Description of original/paper direction

Paper or originals of A4, B5 or LT size can be placed either in a portrait direction or in a landscape direction. In this manual, “-R” is added to this paper size when this size of paper or original is placed in a landscape direction.

e.g.) A4 size original on the original glass



Placed in a portrait direction: A4



Placed in a landscape direction: A4-R

Paper or originals of A3, B4, LD or LG can only be placed in a landscape direction, therefore “-R” is not added to these sizes.

### □ Target audience for this manual

This is a manual that is aimed at general users and administrators.

### □ Abbreviations in this manual

In this manual, “Dual Scan Document Feeder” is referred to as “DSDF” and “Reversing Automatic Document Feeder” as “RADF”.

### □ Trademarks

For trademarks, refer to the *Safety Information*.



# CONTENTS

---

<b>Preface</b> .....	<b>3</b>
How to read this manual .....	3

## **Chapter 1 SPECIFICATIONS OF PAPER**

---

<b>Acceptable copy paper</b> .....	<b>8</b>
Paper only acceptable for printing functions.....	10
Recommended paper for each media type .....	11

## **Chapter 2 SPECIFICATIONS OF EQUIPMENT**

---

<b>Specifications</b> .....	<b>14</b>
Continuous copy speed .....	16
<b>List of Internal Fonts</b> .....	<b>18</b>
Internal PCL fonts list.....	18
Internal PS fonts list.....	19
<b>Template</b> .....	<b>22</b>

## **Chapter 3 SPECIFICATIONS OF OPTIONS**

---

<b>Outlines of Options</b> .....	<b>24</b>
Option.....	24
Finishing modes and optional finishing devices .....	25
<b>Document feed</b> .....	<b>27</b>
Reversing Automatic Document Feeder .....	27
Dual Scan Document Feeder .....	27
<b>Paper feed</b> .....	<b>28</b>
Paper Feed Pedestal and Additional Drawer Module .....	28
Envelope Drawer.....	28
Large Capacity Feeder .....	28
<b>Exit Options</b> .....	<b>29</b>
Job Separator .....	29
Bridge Unit .....	29
Finisher.....	30
Saddle Stitch Finisher.....	32
Inner Finisher .....	35
Hole Punch Unit MJ-6011 Series .....	37
Hole Punch Unit MJ-6105 Series .....	38
<b>System Options</b> .....	<b>39</b>
FAX Unit .....	39
Wireless LAN and Bluetooth units.....	40

<b>INDEX</b> .....	<b>41</b>
--------------------	-----------



## SPECIFICATIONS OF PAPER

<b>Acceptable copy paper</b> .....	<b>8</b>
Paper only acceptable for printing functions.....	10
Recommended paper for each media type .....	11

## Acceptable copy paper

The following paper can be placed and used for copying.

The values are valid only when Oki-recommended paper is used.

Depending on the paper type or condition, the expected print quality sometimes cannot be obtained or the output paper may not be aligned properly.

### Tips

- Abbreviations for paper sizes: LT: Letter, LD: Ledger, LG: Legal, ST: Statement, COMP: Computer, SQ: Square

Feeder	Media Type	Weight	Maximum sheet capacity	Size
Trays Paper Feed Pedestal Additional Drawer Module	Plain, Recycled Paper	60 - 80 g/m <sup>2</sup> 16 - 20 lb. Bond	600 sheets (64 g/m <sup>2</sup> ) (17 lb. Bond) 550 sheets (80 g/m <sup>2</sup> ) (20 lb. Bond)	<b>A/B format:</b> A3, A4, A4-R, A5-R, B4, B5, B5-R, FOLIO, 305 mm x 457 mm <sup>*1, *2, *9</sup> , 320 mm x 450 mm <sup>*1, *3, *4, *5, *6, *9</sup> , 320 mm x 460 mm <sup>*1, *3, *4, *5, *6, *9</sup>  <b>LT format:</b> LD, LG, LT, LT-R, ST-R, COMP, 13"LG, 8.5"SQ, 12" x 18" <sup>*1, *9</sup>  <b>Non-standard size <sup>*7</sup>:</b> First Tray Length: 140 - 297 mm (5.5" - 11.7"), Width: 210 - 432 mm (8.3" - 17") Second - fourth Tray Copy: Length: 140 - 320 mm (5.5" - 12.6"), Width: 210 - 460 mm (8.3" - 18.1") Print: Length: 140 - 320 mm (5.5" - 12.6"), Width: 210 - 460 mm (8.3" - 18.1")
		Thick	81 - 105 g/m <sup>2</sup> 21 - 28 lb. Bond	
	Thick 1	106 - 163 g/m <sup>2</sup> 29 lb. Bond - 90 lb. Index	300 sheets	
	Thick 2	164 - 209 g/m <sup>2</sup> 91 - 110 lb. Index	250 sheets	
	Thick 3	- 256 g/m <sup>2</sup> - 140 lb. Index	200 sheets	
Large Capacity Feeder	Plain, Recycled Paper	64 - 80 g/m <sup>2</sup> 17 - 20 lbs	2360 sheets (64 g/m <sup>2</sup> ) (17 lb. Bond) 2000 sheets (80 g/m <sup>2</sup> ) (20 lb. Bond)	A4, LT
		Thick	81 - 105 g/m <sup>2</sup> 21 - 28 lb. Bond	
Envelope Drawer	Plain, Recycled Paper	60 - 80 g/m <sup>2</sup> 16 - 20 lb. Bond	600 sheets(64 g/m <sup>2</sup> ) (17 lb. Bond) 550 sheets (80 g/m <sup>2</sup> ) (20 lb. Bond)	<b>A/B format:</b> A4-R, B5-R, A5-R  <b>LT format:</b> LG, 13"LG, LT-R, ST-R  <b>Envelope:</b> CHO-3 (120 mm x 235 mm) YOU-4 (105 mm x 235 mm) DL (110 mm x 220 mm) COM10 (4 1/8" x 9 1/2") Monarch (3 7/8" x 7 1/2")  <b>Non-standard size (Envelope) <sup>*7</sup>:</b> Length: 100 - 240 mm (3.9" - 9.4") Width: 162 - 380 mm (6.4" - 15")
		Thick	81 - 105 g/m <sup>2</sup> 21 - 28 lb. Bond	
	Thick 1	106 - 163 g/m <sup>2</sup> 29 lb. Bond - 90 lb. Index	300 sheets	
	Thick 2	164 - 209 g/m <sup>2</sup> 91 - 110 lb. Index	250 sheets	
	Thick 3	- 256 g/m <sup>2</sup> - 140 lb. Index	200 sheets	
	Envelope <sup>*8, *9, *10</sup>	—	60 sheets (50 mm in height or less)	



Feeder	Media Type	Weight	Maximum sheet capacity	Size
MPT	Thin <sup>*9, *11</sup>	52 - 59 g/m <sup>2</sup> 14 - 16 lb. Bond	1 sheet	<b>A/B format:</b> A3, A4, A4-R, A5-R, A6-R, B4, B5, B5-R, FOLIO, 305 mm x 457 mm <sup>*2, *12</sup> , 320 mm x 450 mm <sup>*3, *5, *6</sup> , 320 mm x 460 mm <sup>*3, *5, *6, *12</sup>  <b>LT format:</b> LD, LG, LT, LT-R, ST-R, COMP, 13"LG, 8.5"SQ, 12" x 18" <sup>*12</sup>  <b>Non-standard size <sup>*7</sup>:</b> Copy: Length: 100 - 305 mm (3.9" - 12"), Width: 148 - 460 mm (5.8" - 18.1") Print: Length: 100 - 305 mm (3.9" - 12"), Width: 148 - 1200 mm (5.8" - 47.2")
	Plain, Recycled Paper	60 - 80 g/m <sup>2</sup> 16 - 20 lb. Bond	100 sheets	
	Thick	81 - 105 g/m <sup>2</sup> 21 - 28 lb. Bond	80 sheets	
	Thick 1	106 - 163 b/m <sup>2</sup> 29 lb. Bond - 90 lb. Index	40 sheets	
	Thick 2 <sup>*13</sup>	164 - 209 g/m <sup>2</sup> 91 - 110 lb. Index	30 sheets	
	Thick 3	- 256 g/m <sup>2</sup> - 140 lb. Index	30 sheets	
	Thick 4 <sup>*9, *14, *15</sup>	- 280 g/m <sup>2</sup> - 100 lb. Cover	30 sheets	
	Special 1 <sup>*16</sup> , Special 2 <sup>*16, *17</sup>	230 g/m <sup>2</sup>	30 sheets	
	Special 3 <sup>*18</sup>	106 - 163 g/m <sup>2</sup> 29 lb. Bond - 90 lb. Index	40 sheets	
	Transparency <sup>*9, *19</sup>	—	30 sheets	
	Envelope <sup>*9, *10</sup>	—	10 envelopes (11 mm in height or less)	<b>Envelope:</b> DL (110 mm x 220 mm), COM10 (4 1/8" x 9 1/2"), Monarch (3 7/8" x 7 1/2"), CHO-3 (120 mm x 235 mm), YOU-4 (105 mm x 235 mm)  <b>Non-standard size <sup>*7</sup>:</b> Copy: Length: 100 - 305 mm (3.9" - 12"), Width: 148 - 460 mm (5.8" - 18.1") Print: Length: 100 - 305 mm (3.9" - 12"), Width: 148 - 1200 mm (5.8" - 47.2")
Tab Paper <sup>*9</sup>	—	—	A4, LT	

<sup>\*1</sup> The second tray or the Paper Feed Pedestal and Additional Drawer Module is used for paper placement.  
<sup>\*2</sup> If printing is performed with paper having a width of 305 mm (12"), the images approx. 4 mm (0.16") from each side of the paper may not be printed clearly (faint image).  
<sup>\*3</sup> When the Finisher is installed, it is not possible to have the paper exit to the receiving stacker of the equipment. Paper will exit to the upper receiving stacker of the Finisher or the Saddle Stitch Unit.  
<sup>\*4</sup> Black streaks may appear on the edge of the printouts.  
<sup>\*5</sup> If printing is performed with paper having a width of 320 mm (12.6"), the images approx. 11.5 mm (0.45") from each side of the paper may not be printed clearly (faint image).  
<sup>\*6</sup> When the Inner Finisher is installed, automatic duplex copying is not available.  
<sup>\*7</sup> When paper of a non-standard size is used, set the paper size by means of [Custom Paper].  
<sup>\*8</sup> When the upper receiving stacker of the Finisher or the Saddle Stitch Finisher is used to allow envelopes to exit, be sure to remove them from the stacker after 60 of them have been stacked.  
<sup>\*9</sup> Automatic duplex copying is not available.  
<sup>\*10</sup> Printing on the back side of an envelope is not possible.  
<sup>\*11</sup> The upper receiving stacker of the Finisher or the Saddle Stitch Unit are used for paper exiting.  
<sup>\*12</sup> When the Inner Finisher is installed, the paper will exit to the receiving stackers of the Finisher.

- \*13 When an attempt to print on the sticker labels is made, select "Thick 2" for the paper type. Only sticker labels whose label side is not cut can be used. Only one sticker label can be fed at one time. Automatic duplex copying is not available for sticker labels.
- \*14 The upper receiving stacker of the Finisher or the Saddle Stitch Finisher and the receiving stacker of the equipment are used for paper exiting.
- \*15 When duplex copying is applied to Thick 4 paper, streaks may appear on the front side of the printouts. These streaks may appear clearly when a copied image is dark or when the density level of an entire image is even.
- \*16 Special 1 and Special 2 indicate waterproof paper.
- \*17 Duplex copying is available only when the waterproof paper supporting it is used.
- \*18 Special 3 indicates coated paper. For details, contact your service technicians or representative.
- \*19 Only Oki-recommended OHP film should be used. The use of any other film may cause a malfunction.

## ■ Paper only acceptable for printing functions

Feeder	Media type	Weight	Maximum sheet capacity	Paper size
MPT	Thick	90 - 105 g/m <sup>2</sup> 24 - 28 lb. Bond	1 sheet *1, *2	305 mm x 1200 mm (12" x 47.24")
	Thick 1	106 - 163 g/m <sup>2</sup> 29 lb. Bond - 90 lb. Index		
	Special 1 *3	230 g/m <sup>2</sup>		

\*1 Place the sheets one by one on the MPT.

\*2 When the Finisher is installed, the receiving stacker of the equipment cannot be used for paper exiting. The upper receiving stacker of the installed Finisher, the upper receiving stacker of the installed Saddle Stitch Finisher or upper receiving stacker of the installed Inner Finisher can be used for paper exiting.

\*3 Only Oki-recommended waterproof paper should be used.

## ■ Recommended paper for each media type

Media Type	Oki recommendations/Manufacturer	Weight
Plain	A/B format: TGIS Paper/mondi LT format: TIDAL MP / Hammermill	80 g/m <sup>2</sup> , 20 lb. Bond
Thick	A/B format: Color Copy/mondi LT format: Laser Print/Hammermill, Color Copy Paper/ Hammermill	90 g/m <sup>2</sup> , 24 lb. Bond
		100 g/m <sup>2</sup> , 28 lb. Bond
Thick 1	A/B format: Color Copy/mondi LT format: Laser Print/Hammermill, Color Copy Paper/ Hammermill	120 g/m <sup>2</sup> , 32 lb. Bond
		160 g/m <sup>2</sup> , 60 lb. Cover
Thick 2	A/B format: Color Copy/mondi	200 g/m <sup>2</sup>
	A/B format: 3478/ZWECK-AVERY *1 LT format: 5165/AVERY *1	—
Thick 3	A/B format: Color Copy/mondi LT format: Color Copy Cover/Hammermill	220 g/m <sup>2</sup> , 80 lb. Cover
		250 g/m <sup>2</sup>
Thick 4	A/B format: Color Copy/mondi LT format: Color Copy Cover/Hammermill	280 g/m <sup>2</sup> , 100 lb. Cover
Special 1	A/B format: Water Proof Paper Duplex *2, *3, *4 LT format: Weather Resistance Paper *2, *3, *4	230 g/m <sup>2</sup>
Special 2	AquaAce *3	230 g/m <sup>2</sup>
Transparency	A/B format: BG72/FOLEX	—
Envelope *5, *6	COM10: Laser/Inkjet Business Envelope Regular/Quality Park Monarch: Mailwell No.553/Mailwell	—

\*1 Only Oki-recommended sticker labels should be used.

\*2 Place the sheets one by one on the MPT.

\*3 Remove the copied paper from the receiving stacker sheet by sheet. Remove the copied paper from the stacker of the Finisher whenever 10 sheets of paper have been stacked.

\*4 This type of paper is available for automatic duplex copying (A4/LT or smaller sizes are recommended).

\*5 Printing on the back side of an envelope is not possible.


\*6 Refer to “Notes for using envelopes” in the **Paper Preparation Guide**.



## SPECIFICATIONS OF EQUIPMENT

<b>Specifications .....</b>	<b>14</b>
Continuous copy speed .....	16
<b>List of Internal Fonts .....</b>	<b>18</b>
Internal PCL fonts list.....	18
Internal PS fonts list.....	19
<b>Template .....</b>	<b>22</b>

## Specifications

<b>Type</b>		Desktop type
<b>Original glass</b>		Fixed
<b>Printing (copying) system</b>		Indirect electrophotographic method
<b>Developing system</b>		2-component magnetic brush developing
<b>Fixing method</b>		External IH belt fusing
<b>Photosensor type</b>		OPC
<b>Original scanning system</b>		Flat surface scanning system (When the RADF is installed: Fixed scanning system by feeding the original When the DSDF is installed: Coinstantaneous 2-sided (the front and back sides) scanning system)
<b>Original scanning sensor</b>		Linear CCD sensor
<b>Scanning light source</b>		LED
<b>Resolution</b>	<b>Scanning</b>	600 dpi x 600 dpi
	<b>Writing</b>	<b>Copy</b> Black-and-white: 600 dpi x 600 dpi 5 bits, 2400 dpi x 600 dpi (Smoothing process) Color: 600 dpi x 600 dpi 5 bits  <b>Print</b> Black-and-white/Color: 600 dpi x 600 dpi 5 bits, 3600 dpi (Equivalence) x 1200 dpi (PostScript)
<b>Acceptable originals</b>		Sheets, books and 3-dimensional objects
<b>Acceptable original size</b>		Max. A3 or LD
<b>Acceptable copy paper size</b>	<b>Tray</b>	A3, A4, A4-R, A5-R, B4, B5, B5-R, FOLIO, 305 mm x 457 mm, 320 mm x 450 mm, 320 mm x 460 mm, LD, LG, LT, LT-R, ST-R, COMP, 13"LG, 8.5"SQ, 12" x 18", 8K, 16K, 16K-R
	<b>MPT</b>	Paper size within 100 - 297 mm (3.94" - 11.69") (Length), 148 - 432 mm (5.83" - 17.01") (Width) (For printing functions, within 148 - 1200 mm (5.83" - 47.24") (Width) *1) (For the Automatic duplexing unit: 100 - 297 mm (3.94" - 11.69") (Length), 148 - 432 mm (5.83" - 17") (Width))
<b>Acceptable copy paper weight</b>	<b>Tray</b>	60 - 256 g/m <sup>2</sup> (16 lb. Bond - 80 lb. Cover (140 lb. Index))
	<b>MPT</b>	Single paper feed: 52 - 280 g/m <sup>2</sup> (14 lb. Bond - 100 lb. Cover (150 lb. Index)) Continuous paper feed: 60 - 280 g/m <sup>2</sup> (16 lb. Bond - 100 lb. Cover (150 lb. Index)) For the Automatic duplexing unit: 60 - 256 g/m <sup>2</sup> (16 lb. Bond - 80 lb. Cover (140 lb. Index))
<b>Warm-up time</b> *2		Approx. 20 seconds (Temperature 20 °C (68 °F))
<b>Recovery time (from the sleep mode)</b> *2		12 seconds or less
<b>First copy time (A4 or LT portrait)</b>	<b>Black-and-white</b>	ES9466 MFP: 5.9 seconds or less ES9476 MFP: 4.4 seconds or less
	<b>Color</b> *2	ES9466 MFP: 7.8 seconds or less ES9476 MFP: 5.7 seconds or less
<b>Continuous copy speed</b>		 P.16 "Continuous copy speed"
<b>Multiple copying</b>		Up to 999 sheets (digital key entry)

<b>Excluded image width</b> *3	<b>Black-and-white</b>	Leading edge: 4.2 mm (+ 2.8 mm, - 1.2 mm) (0.17" (+ 0.11", - 0.05")), Trailing edge: 3.0 mm (± 2.0 mm) (0.12" (± 0.08")), Both edges: 2.0 mm (± 2.0 mm) (0.08" (± 0.08"))
	<b>Color</b>	Leading edge: 5.0 mm (± 2.0 mm) (0.20" (± 0.08")), Trailing edge: 3.0 mm (± 2.0 mm) (0.12" (± 0.08")), Both edges: 2.0 mm (± 2.0 mm) (0.08" (± 0.08"))
	<b>Printer (Black-and-white/Color)</b>	Leading edge: 4.2 mm (+ 2.8 mm, - 1.2 mm) (0.17" (+ 0.11", - 0.05")), Trailing edge: 4.2 mm (+1.2 mm, - 2.8 mm) (0.17" (+ 0.05", - 0.11")), Both edges: 4.2 mm (± 2.0 mm) (0.17" (± 0.08"))
<b>Reproduction ratio</b>	<b>Actual size</b>	100±0.5%
	<b>Zoom</b>	25 - 400% (in 1% increments) For the RADF 25 - 200% (in 1% increments) For the DSDf 25 - 200% (in 1% increments)
<b>Paper supply</b>	<b>Tray</b>	Approx. 550 sheets (80 g/m <sup>2</sup> , 20 lb. Bond)
	<b>MPT</b>	Approx. 100 sheets (80 g/m <sup>2</sup> , 20 lb. Bond)
<b>Stacker loading capacity</b>		Approx. 400 sheets (80 g/m <sup>2</sup> , 20 lb. Bond)
<b>Toner density adjustment</b>		Magnetic auto-toner system + Pixel count system
<b>Exposure control</b>		Automatic plus manual selection from 11 exposure step
<b>USB interface</b>		USB 2.0 (Hi-Speed)
<b>Environment (for normal use)</b>		Temperature: 10 - 30 °C (50 - 86 °F), Humidity: 20 - 85% (No Condensation)
<b>Power requirements and Power consumption (including optional equipments)</b>		AC 220-240 V±10%, 8 A (50/60 Hz): 2.0 kW or less AC 120 V±10%, 12 A (50/60 Hz): 1.5 kW or less
<b>Dimensions (equipment only)</b>		585 mm (23") (W) x 640 mm (25.2") (D) x 787 mm (31") (H) (At 90 degrees of the control panel angle) 585 mm (23") (W) x 761 mm (30") (D) x 787 mm (31") (H) (At 7 degrees of the control panel angle)
<b>Weight</b>		Approx. less than 78.1 kg (172.2 lb.) (equipment including developer and drum)
<b>Space occupied (equipment only)</b>		968 mm (38.1") (W) x 807 mm (31.8") (D) (At 7 degrees of the control panel angle)
<b>Storage capacity</b>		Max. 1000 sheets or until the memory is full (Oki's own chart)

\*1 Sheets of paper longer than 433 mm (17.05") are printed in 300 dpi resolution.

\*2 This specification varies depending on the use conditions and the use environment.

\*3 When the paper size is A3/LD or smaller.

- Specifications and appearance are subject to change without notice in the interest of product improvement.

## ■ Continuous copy speed

### □ ES9466 MFP

Paper size	Feeder	Paper type									
		Plain/ Recycled Paper/Thick		Thick 1		Thick 2		Thick 3		Thick 4	
		B&W	Color *1	B&W	Color *1	B&W	Color *1	B&W	Color *1	B&W	Color *1
A4, A5-R, B5, LT, ST-R, 8.5"SQ	Tray	35	35	17.5	17.5	17.5	17.5	17.5	17.5	17.5	17.5
	MPT	35	35	17.5	17.5	17.5	17.5	17.5	17.5	17.5	17.5
A6-R	MPT	35	35	—	—	—	—	—	—	—	—
A4-R, B5-R, LT-R	Tray	25	25	12.5	12.5	12.5	12.5	12.5	12.5	12.5	12.5
	MPT	25	25	12.5	12.5	12.5	12.5	12.5	12.5	12.5	12.5
B4, FOLIO, LG, COMP, 13"LG	Tray	21	21	10	10	10	10	10	10	10	10
	MPT	21	21	10	10	10	10	10	10	10	10
A3, LD	Tray	18	18	8.5	8.5	8.5	8.5	8.5	8.5	8.5	8.5
	MPT	18	18	8.5	8.5	8.5	8.5	8.5	8.5	8.5	8.5
305 mm x 457 mm, 320 mm x 450 mm	Tray *2	—	—	8	8	8	8	8	8	8	8
	MPT	17	17	8	8	8	8	8	8	8	8



## ❑ ES9476 MFP

Paper size	Feeder	Paper type									
		Plain/ Recycled Paper/Thick		Thick 1		Thick 2		Thick 3		Thick 4	
		B&W	Color *1	B&W	Color *1	B&W	Color *1	B&W	Color *1	B&W	Color *1
A4, A5-R, B5, LT, ST-R, 8.5"SQ	Tray	50	50	17.5	17.5	17.5	17.5	17.5	17.5	17.5	17.5
	MPT	50	50	17.5	17.5	17.5	17.5	17.5	17.5	17.5	17.5
A6-R	MPT	13	13	—	—	—	—	—	—	—	—
A4-R, B5-R, LT-R	Tray	36	36	12.5	12.5	12.5	12.5	12.5	12.5	12.5	12.5
	MPT	36	36	12.5	12.5	12.5	12.5	12.5	12.5	12.5	12.5
B4, FOLIO, LG, COMP, 13"LG	Tray	29	29	10	10	10	10	10	10	10	10
	MPT	29	29	10	10	10	10	10	10	10	10
A3, LD	Tray	25	25	8.5	8.5	8.5	8.5	8.5	8.5	8.5	8.5
	MPT	25	25	8.5	8.5	8.5	8.5	8.5	8.5	8.5	8.5
305 mm x 457 mm, 320 mm x 450 mm	Tray *2	—	—	8	8	8	8	8	8	8	8
	MPT	24	24	8	8	8	8	8	8	8	8

\*1 Full Color, Twin Color, Mono Color, Image Smoothing

\*2 2nd tray only

- The copying from MPT speed when the paper size is specified is as listed above.
- Printing may stop for 2 minutes or so at a low temperature to maintain its quality.
- Oki-recommended paper is used for the values of the specifications above.
- These specifications vary depending on the copying conditions and the environment.

## List of Internal Fonts

---

The following fonts are included in this equipment.

### ■ Internal PCL fonts list

0	Courier	42	Helvetica-Narrow-Bold
1	CG-Times	43	Helvetica-Narrow-Oblique
2	CG-Times Bold	44	Helvetica-Narrow-BoldOblique
3	CG-Times Italic	45	Palatino-Roman
4	CG-Times Bold Italic	46	Palatino-Bold
5	CG Omega	47	Palatino-Italic
6	CG Omega Bold	48	Palatino-BoldItalic
7	CG Omega Italic	49	ITC AvantGarde-Book
8	CG Omega Bold Italic	50	ITC AvantGarde-BookOblique
9	Coronet	51	ITC AvantGarde-Demi
10	Clarendon Condensed	52	ITC AvantGarde-DemiOblique
11	Univers Medium	53	ITC Bookman-Light
12	Univers Bold	54	ITC Bookman-LightItalic
13	Univers Italic	55	ITC Bookman-Demi
14	Univers Bold Italic	56	ITC Bookman-DemiItalic
15	Univers Medium Condensed	57	NewCenturySchlbk-Roman
16	Univers Condensed Bold	58	NewCenturySchlbk-Bold
17	Univers Medium Condensed Italic	59	NewCenturySchlbk-Italic
18	Univers Condensed Bold Italic	60	NewCenturySchlbk-BoldItalic
19	Antique Olive	61	Times-Roman
20	Antique Olive Bold	62	Times-Bold
21	Antique Olive Italic	63	Times-Italic
22	Garamond Antiqua	64	Times-BoldItalic
23	Garamond Halbfett	65	ITCZapfChancery-MediumItalic
24	Garamond Kursiv	66	Symbol
25	Garamond Kursiv Halbfett	67	Symbol PS
26	Mrigold	68	Wingdings
27	Albertus Medium	69	ITCZapfDingbats
28	Albertus Extra Bold	70	Courier Bold
29	Arial	71	Courier Italic
30	Arial Bold	72	Courier Bold Italic
31	Arial Italic	73	Letter Gothic Regular
32	Arial Bold Italic	74	Letter Gothic Bold
33	Times New Roman	75	Letter Gothic Italic
34	Times New Roman Bold	76	CourierPS
35	Times New Roman Italic	77	CourierPS Oblique
36	Times New Roman Bold Italic	78	CourierPS Bold

37	Helvetica	79	CourierPS BoldOblique
38	Helvetica-Bold		AndaleMonoWTJ * <sup>1</sup>
39	Helvetica-Oblique		AndaleMonoWTK * <sup>1</sup>
40	Helvetica-BoldOblique		AndaleMonoWTT * <sup>1</sup>
41	Helvetica-Narrow		AndaleMonoWTS * <sup>1</sup>

\*1 These fonts can be added when the optional Unicode Font Enabler is installed.

## ■ Internal PS fonts list

AlbertusMT-Light	Eurostile-ExtendedTwo
AlbertusMT	Eurostile-BoldExtendedTwo
AlbertusMT-Italic	Geneva
AntiqueOlive-Roman	GillSans-Light
AntiqueOlive-Italic	GillSans-LightItalic
AntiqueOlive-Bold	GillSans
AntiqueOlive-Compact	GillSans-Italic
Apple-Chancery	GillSans-Bold
ArialMT	GillSans-BoldItalic
Arial-ItalicMT	GillSans-ExtraBold
Arial-BoldMT	GillSans-BoldCondensed
Arial-BoldItalicMT	GillSans-Condensed
AvantGarde-Book	Goudy
AvantGarde-BookOblique	Goudy-Italic
AvantGarde-Demi	Goudy-Bold
AvantGarde-DemiOblique	Goudy-BoldItalic
Bodoni	Goudy-ExtraBold
Bodoni-Italic	Helvetica
Bodoni-Bold	Helvetica-Oblique
Bodoni-BoldItalic	Helvetica-Bold
Bodoni-Poster	Helvetica-BoldOblique
Bodoni-PosterCompressed	Helvetica-Condensed
Bookman-Light	Helvetica-Condensed-Oblique
Bookman-LightItalic	Helvetica-Condensed-Bold
Bookman-Demi	Helvetica-Condensed-BoldObl
Bookman-Demitalic	Helvetica-Narrow
Candid	Helvetica-Narrow-Oblique
Chicago	Helvetica-Narrow-Bold
Clarendon-Light	Helvetica-Narrow-BoldOblique
Clarendon	HoeflerText-Regular
Clarendon-Bold	HoeflerText-Italic
CooperBlack	HoeflerText-Black

CooperBlack-Italic	HoeflerText-BlackItalic
Copperplate-ThirtyTwoBC	HoeflerText-Ornaments
Copperplate-ThirtyThreeBC	JoannaMT
Coronet-Regular	JoannaMT-Italic
Courier	JoannaMT-Bold
Courier-Oblique	JoannaMT-BoldItalic
Courier-Bold	LetterGothic
Courier-BoldOblique	LetterGothic-Slanted
Eurostile	LetterGothic-Bold
Eurostile-Bold	LetterGothic-BoldSlanted
LubalinGraph-Book	Univers-CondensedBold
LubalinGraph-BookOblique	Univers-CondensedBoldOblique
LubalinGraph-Demi	Univers-Extended
LubalinGraph-DemiOblique	Univers-ExtendedObl
Marigold	Univers-BoldExt
Monaco	Univers-BoldExtObl
MonaLisa-Recut	Wingdings-Regular
NewCenturySchlbk-Roman	ZapfChancery-MediumItalic
NewCenturySchlbk-Italic	ZapfDingbats
NewCenturySchlbk-Bold	IPAexGothic
NewCenturySchlbk-BoldItalic	IPAexMincho
NewYork	
Optima	
Optima-Italic	
Optima-Bold	
Optima-BoldItalic	
Oxford	
Palatino-Roman	
Palatino-Italic	
Palatino-Bold	
Palatino-BoldItalic	
StempelGaramond-Roman	
StempelGaramond-Italic	
StempelGaramond-Bold	
StempelGaramond-BoldItalic	
Symbol	
Taffy	
Times-Roman	
Times-Italic	
Times-Bold	

---

Times-BoldItalic	
TimesNewRomanPSMT	
TimesNewRomanPS-ItalicMT	
TimesNewRomanPS-BoldMT	
TimesNewRomanPS-BoldItalicMT	
Univers-Light	
Univers-LightOblique	
Univers	
Univers-Oblique	
Univers-Bold	
Univers-BoldOblique	
Univers-Condensed	
Univers-CondensedOblique	

## Template

---

The numbers of the groups which can be created and the templates which can be registered in each group differ depending on the model in use.

<b>The numbers of the groups</b>		<b>The numbers of the templates which can be registered in each group</b>
<b>Public Template Group</b>	<b>Private Groups *1</b>	
1	200	60

\*1 "Useful Templates" are registered under the group 001 by default.

## SPECIFICATIONS OF OPTIONS

<b>Outlines of Options</b> .....	<b>24</b>
Option.....	24
Finishing modes and optional finishing devices .....	25
<b>Document feed</b> .....	<b>27</b>
Reversing Automatic Document Feeder .....	27
Dual Scan Document Feeder .....	27
<b>Paper feed</b> .....	<b>28</b>
Paper Feed Pedestal and Additional Drawer Module .....	28
Envelope Drawer.....	28
Large Capacity Feeder .....	28
<b>Exit Options</b> .....	<b>29</b>
Job Separator .....	29
Bridge Unit .....	29
Finisher.....	30
Saddle Stitch Finisher.....	32
Inner Finisher .....	35
Hole Punch Unit MJ-6011 Series .....	37
Hole Punch Unit MJ-6105 Series .....	38
<b>System Options</b> .....	<b>39</b>
FAX Unit .....	39
Wireless LAN and Bluetooth units.....	40

## Outlines of Options

### ■ Option

Name	Model Name
Document feed	
Original Cover	KA-5005PC
Reversing Automatic Document Feeder	MR-3031
Dual Scan Document Feeder	MR-4000
Paper feed	
Paper Feed Pedestal	KD-1058
Additional Drawer Module	MY-1048
Envelope Drawer	MY-1049
Large Capacity Feeder	KD-1059
Exit	
Job Separator	MJ-5015
Bridge Unit	KN-5005
Finisher	MJ-1109
Saddle Stitch Finisher	MJ-1110
Hole Punch Unit	MJ-6011
	MJ-6105
Inner Finisher	MJ-1042
System	
FAX Unit	GD-1370
Wireless LAN/Bluetooth Module	GN-4020
Ten Key	GR-1260
FIPS Hard Disk Kit	GE-1230
Data Overwrite Enabler	GP-1070
Meta Scan Enabler	GS-1010
IPsec Enabler	GP-1080
Unicode Font Enabler	GS-1007
OCR Enabler	GS-1080
	GS-1085
Multi Station Print Enabler	GS-1090
	GS-1095
Others	
Desk	MH-5005
Work Table	KK-5005
Operator's Manual Pocket	KK-5008
Accessible Arm	KK-2560
Accessory Tray	GR-1250



**Notes**

- Depending on the model, options have been already installed and the functions can be used.
- Depending on the destination, some options may not be available.

**■ Finishing modes and optional finishing devices**

See the table below for each finishing mode.

<b>Finishing mode</b>	<b>Description</b>
Non-sort Non-staple	Copies exit without being sorted or stapled.
Sort	Copies exit in the offset mode (shift exiting) in the same page order as the originals one set after another.
Group	Copies grouped by page exit in the offset mode (shift exiting).
Rotate sort	Copies exit in the offset mode (shift exiting) set by set alternately in a different direction.
Staple sort	Copies exit in the offset mode (shift exiting) with their corner stapled.
Magazine sort	Copies exit in a book-type page order.
Center fold	Copies exit in a book-type page order with their center folded.
Saddle stitch	Copies exit in a book-type page order with their center folded and stapled.
Magazine sort & center fold	Magazine sort and center fold are used together.
Magazine sort & saddle stitch	Magazine sort and saddle stitch are used together.
Hole punch	Copies exit with their side punched.
Manual staple	Copies are stapled manually.

The available finishing modes differ depending on the type of optional finishing devices (Finisher and Hole Punch Unit) installed. Finishing devices available for this equipment are as follows:

**Finisher**

- Inner Finisher MJ-1042
- Finisher MJ-1109
- Saddle Stitch Finisher MJ-1110

**Hole Punch Unit**

- Hole Punch Unit MJ-6011 (for Inner Finisher MJ-1042)
- Hole Punch Unit MJ-6105 (for Finisher MJ-1109 and Saddle Stitch Finisher MJ-1110)

**Job Separator**

- Job Separator MJ-5015

**Tip**

The Job Separator cannot be installed when the Inner Finisher MJ-1042 is installed.

Use the table below to check the available finishing modes.

Finishing mode	Devices					
	MJ-1109 & MJ-6105	MJ-1109	MJ-1110 & MJ-6105	MJ-1110	MJ-1042 & MJ-6011	MJ-1042
Non-sort Non-staple	Yes	Yes	Yes	Yes	Yes	Yes
Sort	Yes	Yes	Yes	Yes	Yes	Yes
Group	Yes	Yes	Yes	Yes	Yes	Yes
Rotate sort	Yes	Yes	Yes	Yes	Yes	Yes
Staple sort	Yes	Yes	Yes	Yes	Yes	Yes
Magazine sort	Yes	Yes	Yes	Yes	Yes	Yes
Center fold	—	—	Yes	Yes	—	—
Saddle stitch	—	—	Yes	Yes	—	—
Magazine sort & center fold	—	—	Yes	Yes	—	—
Magazine sort & saddle stitch	—	—	Yes	Yes	—	—
Hole punch	Yes	—	Yes	—	Yes	—
Manual staple (Paper Preparation Guide)	Yes	Yes	Yes	Yes	—	—

Finishing mode	Devices	
	MJ-5015	No device
Non-sort Non-staple	Yes	Yes
Sort	Yes	Yes
Group	Yes	Yes
Rotate sort	Yes	Yes
Staple sort	—	—
Magazine sort	Yes	Yes
Center fold	—	—
Saddle stitch	—	—
Magazine sort & center fold	—	—
Magazine sort & saddle stitch	—	—
Hole punch	—	—
Manual staple (Paper Preparation Guide)	—	—

For the setting of each finishing mode, refer to the **Copying Guide**.

■ Reversing Automatic Document Feeder

<b>Model name</b>	MR-3031
<b>Copy sides</b>	1-side, Duplex
<b>Number of originals (A4 or LT)</b>	100 originals (35 - 80 g/m <sup>2</sup> , 9.3 - 20 lb. Bond) or 16 mm/0.63" or less in height (more than 80 g/m <sup>2</sup> , 20 lb. Bond)
<b>Feeding speed</b>	1-side: More than 50 sheets/min. (600 dpi), More than 73 sheets/min. (300 dpi) Duplex: 25 sheets/min. (600 dpi)
<b>Acceptable originals</b>	A3, A4, A4-R, A5-R, B4, B5, B5-R, FOLIO, LD, LG, LT, LT-R, ST-R, COMP (A5 and ST size are not acceptable.)
<b>Paper weight</b>	1-sided original: 35 - 157 g/m <sup>2</sup> , 9.3 - 41.8 lb., 2-sided original: 50 - 157 g/m <sup>2</sup> , 13.3 - 41.8 lb.
<b>Power source</b>	DC 5V, DC 24V (supplied from the equipment)
<b>Dimensions</b>	575 mm (22.6") (W) x 531 mm (20.9") (D) x 135 mm (5.3") (H)
<b>Weight</b>	Approx. 11 kg (24.3 lb.)
<b>Power consumption</b>	49.5 W or less

■ Dual Scan Document Feeder

<b>Model name</b>	MR-4000
<b>Copy sides</b>	1-side, Duplex
<b>Number of originals (A4 or LT)</b>	300 originals (35 - 80 g/m <sup>2</sup> , 9.3 - 20 lb. Bond) or 38 mm/1.50" or less in height (more than 80 g/m <sup>2</sup> , 20 lb. Bond)
<b>Feeding speed</b>	1-side: More than 70 pages/min. (600 dpi), More than 120 pages/min. (200 dpi) Duplex: More than 120 pages/min. (600 dpi), More than 240 pages/min. (200 dpi)
<b>Acceptable originals</b>	A3, A4, A4-R, A5-R, B4, B5, B5-R, FOLIO, LD, LG, LT, LT-R, ST-R, COMP (A5 and ST size are not acceptable.)
<b>Paper weight</b>	35 - 209 g/m <sup>2</sup> , 9.3 - 41.8 lb. *1, *2
<b>Power source</b>	DC 5 V, DC 24 V (supplied from the equipment)
<b>Dimensions</b>	575 mm (22.6") (W) x 531 mm (20.9") (D) x 180 mm (7.1") (H)
<b>Weight</b>	Approx. 14 kg (30.9 lb.)
<b>Power consumption</b>	60 W or less

\*1 Bleed-through will occur when a 2-sided original with thin paper such as 35 g/m<sup>2</sup> (9.3 lb.) is scanned.

\*2 Sufficient image quality may not be obtained if the paper weight of an original exceeds 157 g/m<sup>2</sup> (41.8 lb.).

## Paper feed

### ■ Paper Feed Pedestal and Additional Drawer Module

<b>Model name</b>	KD-1058
<b>Acceptable paper size</b>	A3, A4, A4-R, A5-R, B4, B5, B5-R, FOLIO, 305 mm x 457 mm, 320 mm x 450 mm, 320 mm x 460 mm, LD, LG, LT, LT-R, ST-R, COMP, 8.5"SQ, 12" x 18", 13"LG, 8K, 16K, 16K-R, non-standard size *1 (A5 and ST are not acceptable.)
<b>Paper weight</b>	60 - 256 g/m <sup>2</sup> (16 lb. Bond - 80 lb. Bond, -140 lb. Index)
<b>Maximum capacity</b>	550 sheets (80 g/m <sup>2</sup> , 20 lb. Bond)
<b>Power source</b>	DC 5 V, DC 24 V (supplied from the equipment)
<b>Dimensions</b>	668 mm (26.3") (W) x 701 mm (27.6") (D) x 292 mm (11.5") (H) (incl. Stabilizer)
<b>Weight</b>	Approx. 16.3 kg (35.9 lb.)

\*1 Refer to "Acceptable copy paper" about the acceptable non-standard size.

<b>Model name</b>	MY-1048
<b>Acceptable paper size</b>	A3, A4, A4-R, A5-R, B4, B5, B5-R, FOLIO, 305 mm x 457 mm, 320 mm x 450 mm, 320 mm x 460 mm, LD, LG, LT, LT-R, ST-R, COMP, 8.5"SQ, 12" x 18", 13"LG, 8K, 16K, 16K-R, non-standard size *1 (A5 and ST are not acceptable.)
<b>Paper weight</b>	60 - 256 g/m <sup>2</sup> (16 lb. Bond - 80 lb. Bond, -140 lb. Index)
<b>Power source</b>	DC 5 V, DC 24 V (supplied from the equipment)
<b>Maximum capacity</b>	550 sheets (80 g/m <sup>2</sup> , 20 lb. Bond), 500 sheets (105 g/m <sup>2</sup> , 24 or 28 lb. Bond)
<b>Weight</b>	Approx. 3.1 kg (6.8 lb.)

\*1 Refer to "Acceptable copy paper" about the acceptable non-standard size.

### ■ Envelope Drawer

<b>Model name</b>	MY-1049
<b>Acceptable paper size</b>	Envelope: COM10, Monarch, CHO-3, YOU-4, DL Paper: A4-R, B5-R, A5-R, 16K-R, LG, 13"LG, LT-R, ST-R Envelope non standard size: Length: 100 - 240 mm (3.9" - 9.4"), Width: 162 - 380 mm (6.4" - 15")
<b>Paper weight</b>	Envelope: - 85 g/m <sup>2</sup> (- 22.6 lb. Bond), Paper - 256 g/m <sup>2</sup> (- 140 lb. Index)
<b>Maximum capacity</b>	Envelope: 50 mm in height or less, Paper: 550 sheets (80 g/m <sup>2</sup> , 20 lb. Bond)
<b>Power source</b>	DC 5 V, DC 24 V (supplied from the equipment)
<b>Dimensions</b>	532 mm (20.9") (W) x 575 mm (22.6") (D) x 89 mm (3.5") (H)
<b>Weight</b>	Approx. 3.3 kg (7.3 lb.)

### ■ Large Capacity Feeder

<b>Model name</b>	KD-1059
<b>Acceptable paper size</b>	A4 or LT
<b>Paper weight</b>	64 - 105 g/m <sup>2</sup> , 17-28 lb. Bond
<b>Maximum capacity</b>	2000 sheets (80 g/m <sup>2</sup> , 20 lb. Bond) (Height: approx. 110 mm or 4.3" x 2)
<b>Power source</b>	DC 5 V, DC 24 V (supplied from the equipment)
<b>Dimensions</b>	668 mm (26.3") (W) x 735 mm (28.9") (D) x 292 mm (11.5") (H) (incl. Stabilizer)
<b>Weight</b>	Approx. 25.5 kg (56.2 lb.)

## Exit Options

### ■ Job Separator

<b>Model name</b>		MJ-5015
<b>Acceptable paper size</b>		A3, A4, A4-R, A5-R, B4, B5, B5-R, FOLIO, LD, LG, LT, LT-R, ST-R, COMP, 8.5"SQ, 8K, 16K, 16K-R, 13"LG, CHO-3 (120 mm × 235 mm), YOU-4 (105 mm × 235 mm), DL (110 mm × 220 mm), Monarch (3 7/8" × 7 1/2"), COM10 (4 1/8" × 9 1/2")
		320 mm × 450 mm, 320 mm × 460 mm, 305 mm × 457 mm, 12" × 18"
<b>Acceptable paper weight</b>	<b>Upper stacker</b>	60 - 105 g/m <sup>2</sup> , 16 - 28 lb. Bond
	<b>Lower stacker</b>	52 - 280 g/m <sup>2</sup> , 14 lb. Bond - 150 lb. Index
<b>Loading capacity</b>	<b>Upper stacker</b>	25 mm, 0.98" (150 sheets) <sup>*1</sup>
	<b>Lower stacker</b>	40 mm, 1.57" (250 sheets) <sup>*1</sup>
<b>Power source</b>		DC 5 V, DC 24 V Supplied from the equipment
<b>Weight</b>		Approx. 1 kg (2.2 lb.)

\*1 Values in parentheses: Number of sheets (80 g/m<sup>2</sup> or 20 lb. Bond)

### ■ Bridge Unit

<b>Model name</b>	KN-5005
<b>Weight</b>	Approx. 6.5 kg (14.3 lb.)

## ■ Finisher

<b>Model name</b>	MJ-1109
<b>Type</b>	Floor type (Console type)
<b>Acceptable paper size</b>	A3, A4, A4-R, A5-R, B4, B5, B5-R, FOLIO, LD, LG, LT, LT-R, ST-R, COMP, 8.5"SQ, 13"LG, 8K, 16K, 16K-R, CHO-3 (120 mm × 235 mm), YOU-4 (105 mm × 235 mm), DL (110 mm × 220 mm), Monarch (3 7/8" × 7 1/2"), COM10 (4 1/8" × 9 1/2")
	320 mm × 450 mm, 320 mm × 460 mm, 305 mm × 457 mm, 12" × 18"
<b>Acceptable paper weight</b>	52 - 256 g/m <sup>2</sup> , 14 lb. Bond - 140 lb. Index
<b>Power source</b>	DC 5.1 V, DC 24 V Supplied from the equipment
<b>Dimensions</b>	535 mm (21") (W) x 598 mm (23.5") (D) x 1092 mm (43") (H) (When the sub-stacker is retracted)
<b>Weight</b>	Approx. 34 kg (74.8 lb.)
<b>Power consumption</b>	85 W or less

## □ Maximum number of sheets available for stapling

Paper size	Paper weight		
	60 - 80 g/m <sup>2</sup> (16 - 20 lb. Bond)	81 - 90 g/m <sup>2</sup> (21 - 24 lb. Bond)	91 - 105 g/m <sup>2</sup> (25 - 28 lb. Bond)
A4, A4-R, B5, LT, LT-R, 8.5"SQ, 16K	50 sheets	50 sheets	30 sheets
A3, B4, FOLIO, LD, LG, COMP, 13"LG, 8K	30 sheets	30 sheets	15 sheets

### Note

When inserting 2 cover sheets (60 to 256g/m<sup>2</sup> (16 lb. Bond to 140 lb. Index)), these 2 sheets are included.

## ❑ Stacker loading capacity

### Upper Receiving Stacker\*<sup>1</sup>

Paper size	Loading height	Paper weight		
		60 - 80 g/m <sup>2</sup> (16 - 20 lb. Bond)	81 - 90 g/m <sup>2</sup> (21 - 24 lb. Bond)	91 - 105 g/m <sup>2</sup> (25 - 28 lb. Bond)
A4, B5, LT, A5-R, ST-R, 8.5"SQ, 16K, A6-R	36.75 mm (1.45")	250 sheets	225 sheets	190 sheets
A3, A4-R, B4, FOLIO, LD, LG, LT-R, COMP, B5-R, 13"LG, 8K, 16K-R, 305 mm x 457 mm, 320 mm x 450 mm, 320 mm x 460 mm, non-standard size	18.4 mm (0.72")	125 sheets	112 sheets	95 sheets
Envelope	18.4 mm (0.72")	60 sheets	—	—

\*1 When ejecting a large volume of A3-size or thick paper to the upper receiving stacker, the paper tends to fall off from the stacker. To avoid this, remove the paper from the stacker quite frequently.

- The loading height is 18.4 mm or 125 sheets (60 to 80 g/m<sup>2</sup> (16 to 20 lb. Bond)) when ejecting mixed-size paper.
- Ejecting of the paper to the upper receiving stacker cannot be performed in the offset mode.

### Lower Receiving Stacker

#### Other than the staple mode

Paper size	Loading height	Paper weight			
		60 - 80 g/m <sup>2</sup> (16 - 20 lb. Bond)	81 - 90 g/m <sup>2</sup> (21 - 24 lb. Bond)	91 - 105 g/m <sup>2</sup> (25 - 28 lb. Bond)	106 - 256 g/m <sup>2</sup> (29 lb. Bond - 140 lb. Index)
A4, B5, LT, 8.5"SQ, 16K	250 mm (9.84")	2000 sheets	1800 sheets	1400 sheets	550 sheets
A3, A4-R, B4, FOLIO, LD, LG, LT-R, COMP, 13"LG, 8K, 16K-R, 305 mm x 457 mm	140 mm (5.51")	1000 sheets	900 sheets	700 sheets	275 sheets
ST-R, A5-R, B5-R, A6-R, non-standard size	—	500 sheets	500 sheets	500 sheets	450 sheets

- The loading height is 140 mm or 1000 sheets of paper at mixed size.
- The offset mode does not support the paper sizes A5-R, A6-R, B5-R, ST-R, 16K-R, 305 mm x 457 mm and non-standard.

#### Staple mode

Paper size	Stapling position	Loading height	Paper weight
			60 - 105 g/m <sup>2</sup> (16 - 28 lb. Bond)
A3, A4, A4-R, B4, B5, FOLIO, LD, LG, LT, LT-R, COMP, 13"LG, 8K, 16K, 8.5"SQ	Single (Front/Rear)	—	30 sets
	Double * <sup>1</sup>	—	

\*1 8K, 16K, 13"LG and 8.5"SQ are excluded.

- The loading capacity is 1000 sheets (60 to 80 g/m<sup>2</sup> (16 to 20 lb. Bond)) when ejecting mixed-size paper.

## ■ Saddle Stitch Finisher

<b>Model name</b>	MJ-1110
<b>Type</b>	Floor type (Console type)
<b>Acceptable paper size</b>	A3, A4, A4-R, A5-R, B4, B5, B5-R, FOLIO, LD, LG, LT, LT-R, ST-R, COMP, 8.5"SQ, 8K, 16K, 16K-R, 13"LG, CHO-3 (120 mm × 235 mm), YOU-4 (105 mm × 235 mm), DL (110 mm × 220 mm), Monarch (3 7/8" × 7 1/2"), COM10 (4 1/8" × 9 1/2")
	320 mm × 450 mm, 320 mm × 460 mm, 305 mm × 457 mm, 12" × 18"
<b>Acceptable paper weight</b>	52 - 280 g/m <sup>2</sup> , 14 lb. Bond - 100 lb. Cover
<b>Power source</b>	DC 5.1 V, DC 24 V Supplied from the equipment
<b>Dimensions</b>	617 mm (24.3") (W) x 603 mm (23.7") (D) x 1085 mm (42.7") (H) (When the sub-stacker is retracted)
<b>Weight</b>	Approx. 70 kg (154.3 lb.)
<b>Power consumption</b>	85 W or less

### □ Maximum number of sheets available for stapling

Paper size	Paper weight		
	60 - 80 g/m <sup>2</sup> (16 - 20 lb. Bond)	81 - 90 g/m <sup>2</sup> (21 - 24 lb. Bond)	91 - 105 g/m <sup>2</sup> (25 - 28 lb. Bond)
A4, A4-R, B5, LT, LT-R, 8.5"SQ, 16K	50 sheets	50 sheets	30 sheets
A3, B4, FOLIO, LD, LG, COMP, 13"LG, 8K	30 sheets	30 sheets	15 sheets

- Make sure that the thickness per set is 5.7 mm or less.
- A5-R, A6-R, B5-R, ST-R, 16K-R, CHO-3, YOU-4, DL, Monarch and COM10 are excluded.

#### Note

When inserting 2 cover sheets (60 to 256 g/m<sup>2</sup> (16 lb. Bond to 140 lb. Index)), these 2 sheets are included.



## ❑ Maximum number of sheets available for saddle stitching

Paper size	Paper weight		
	60 - 80 g/m <sup>2</sup> (16 - 20 lb. Bond)	81 - 90 g/m <sup>2</sup> (21 - 24 lb. Bond)	91 - 105 g/m <sup>2</sup> (25 - 28 lb. Bond)
A3, A4-R, B4, LD, LT-R, LG	15 sheets	15 sheets	10 sheets

- Make sure that the thickness per set is 1.7 mm or less.

### Note

When inserting 2 cover sheets (60 to 256 g/m<sup>2</sup> (16 lb. Bond to 140 lb. Index)), these 2 sheets are included.

## ❑ Maximum number of sheets available for center folding

Paper size	Paper weight		
	60 - 80 g/m <sup>2</sup> (16 - 20 lb. Bond)	81 - 90 g/m <sup>2</sup> (21 - 24 lb. Bond)	91 - 105 g/m <sup>2</sup> (25 - 28 lb. Bond)
A3, A4-R, B4, LD, LT-R, LG	5 sheets	5 sheets	5 sheets

### Note

When inserting 2 cover sheets (60 to 256 g/m<sup>2</sup> (16 lb. Bond to 140 lb. Index)), these 2 sheets are included.

## ❑ Stacker loading capacity

### Upper Receiving Stacker\*<sup>1</sup>

Paper size	Loading height	Paper weight		
		60 - 80 g/m <sup>2</sup> (16 - 20 lb. Bond)	81 - 90 g/m <sup>2</sup> (21 - 24 lb. Bond)	91 - 105 g/m <sup>2</sup> (25 - 28 lb. Bond)
A4, A5-R, A6-R, B5, LT, ST-R, 8.5"SQ, 16K	36.75 mm (1.45")	250 sheets	225 sheets	190 sheets
A3, A4-R, B4, B5-R, FOLIO, 305 mm x 457 mm, 320 mm x 450 mm, 320 mm x 460 mm, LD, LG, LT-R, COMP, 13"LG, 8K, 16K-R, non-standard size	18.4 mm (0.72")	125 sheets	112 sheets	95 sheets
Envelope	18.4 mm (0.72")	60 sheets	—	—

\*<sup>1</sup> When ejecting a large volume of A3-size or thick paper to the upper receiving stacker, the paper tends to fall off from the stacker. To avoid this, remove the paper from the stacker quite frequently.

- The loading height is 18.4 mm or 125 sheets (60 to 80 g/m<sup>2</sup> (16 to 20 lb. Bond)) when ejecting mixed-size paper.
- Ejecting of the paper to the upper receiving stacker cannot be performed in the offset mode.

## Lower Receiving Stacker

### Other than the staple mode

Paper size	Loading height	Paper weight			
		60 - 80 g/m <sup>2</sup> (16 - 20 lb. Bond)	81 - 90 g/m <sup>2</sup> (21 - 24 lb. Bond)	91 - 105 g/m <sup>2</sup> (25 - 28 lb. Bond)	106 - 256 g/m <sup>2</sup> (29 lb. Bond - 140 lb. Index)
A4, B5, 8.5"SQ, 16K	350 mm (13.78")	3000 sheets	2700 sheets	2300 sheets	900 sheets
A3, A4-R, B4, FOLIO, 305 mm x 457 mm, LD, LG, LT-R, COMP, 13"LG, 12" x 18", 8K, 16K-R	175 mm (6.89")	1500 sheets	1350 sheets	1150 sheets	450 sheets
ST-R, A5-R, B5-R, A6-R, non-standard size	—	500 sheets	500 sheets	500 sheets	450 sheets

- The loading height is 175 mm or 1500 sheets (60 to 80 g/m<sup>2</sup> (16 to 20 lb. Bond)) when ejecting mixed-size paper.
- The offset mode does not support the paper sizes A5-R, A6-R, B5-R, ST-R, 16K-R, 305 mm x 457 mm and non-standard.

### Staple mode

Paper size	Stapling position	Loading height	Paper weight
			60 - 105 g/m <sup>2</sup> (16 - 28 lb. Bond)
A4, B5, LT	Single (Front/Rear)	—	Whichever of 100 sets or 2000 sheets is reached first
	Double	—	Whichever of 150 sets or 2000 sheets is reached first
A3, A4-R, B4, FOLIO, LD, LG, LT-R, COMP, 13"LG, 8K, 16K, 8.5"SQ	Single (Front/Rear)	—	Whichever of 50 sets or 1000 sheets is reached first
	Double *1	—	Whichever of 75 sets or 1000 sheets is reached first

\*1 8K, 16K, 13"LG and 8.5"SQ are excluded.

- The loading capacity is 1000 sheets (60 to 80 g/m<sup>2</sup> (16 to 20 lb. Bond)) when ejecting mixed-size paper.

### Saddle stitching mode

Paper size	Loading height	Paper weight	
		60 - 90 g/m <sup>2</sup> (16 - 24 lb. Bond)	91 - 105 g/m <sup>2</sup> (25 - 28 lb. Bond)
A3, A4-R, B4	—	11 - 15 sheets per set: 25 sets (10 sets if cover sheets are added) 6 - 10 sheets per set: 30 sets (15 sets if cover sheets are added) Less than 5 sheets per set: 50 sets	6 - 10 sheets per set: 25 sets (15 sets if cover sheets are added) Less than 5 sheets per set: 40 sets (30 sets if cover sheets are added)

### Center folding mode

Paper size	Loading height	Paper weight
		60 - 105 g/m <sup>2</sup> (16 - 28 lb. Bond)
A3, A4-R, B4	—	Less than 5 sheets per set: 25 sets

## ■ Inner Finisher

<b>Model name</b>	MJ-1042
<b>Type</b>	Inner Finisher
<b>Acceptable paper size</b>	A3, A4, A4-R, A5-R, A6-R, B4, B5, B5-R, FOLIO, LD, LG, LT, LT-R, ST-R, COMP, 8.5"SQ, 8K, 16K, 16K-R, 13"LG, CHO-3 (120 mm × 235 mm), YOU-4 (105 mm × 235 mm), DL (110 mm × 220 mm), Monarch (3 7/8" × 7 1/2"), COM10 (4 1/8" × 9 1/2")
	320 mm × 450 mm, 320 mm × 460 mm, 305 mm × 457 mm, 12" × 18"
<b>Acceptable paper weight</b>	52 - 280 g/m <sup>2</sup> , 14 lb. Bond - 100 lb. Cover
<b>Power source</b>	DC 24 V Supplied from the equipment
<b>Dimensions</b>	481.6 mm (19") (W) x 507.5 mm (20") (D) x 232.1 mm (9.1") (H) (When the sub-stacker is retracted)
<b>Weight</b>	Approx. 15.3 kg (33.7 lb.)
<b>Power consumption</b>	56 W or less

### □ Maximum number of sheets available for stapling

Paper size	Paper weight		
	60 - 80 g/m <sup>2</sup> (16 - 20 lb. Bond)	81 - 90 g/m <sup>2</sup> (21 - 24 lb. Bond)	91 - 105 g/m <sup>2</sup> (25 - 28 lb. Bond)
A4, A4-R, B5, B5-R, LT, LT-R, 8.5"SQ, 16K, 16K-R	50 sheets	50 sheets	30 sheets
A3, B4, FOLIO, LD, LG, COMP, 13"LG, 8K	30 sheets	30 sheets	15 sheets

#### Note

When inserting 2 cover sheets (106 to 209 g/m<sup>2</sup> (29 lb. Bond to 110 lb. Index)), these 2 sheets are included.

## ❑ Stacker loading capacity

### Upper Receiving Stacker

Paper size	Loading height	Paper weight		
		60 - 80 g/m <sup>2</sup> (16 - 20 lb. Bond)	81 - 90 g/m <sup>2</sup> (21 - 24 lb. Bond)	91 - 105 g/m <sup>2</sup> (25 - 28 lb. Bond)
A4-R, A4, A5-R, B5-R, B5, LT-R, LT, ST-R, 8.5"SQ, 16K, 16K-R	14 mm (0.55")	100 sheets	89 sheets	76 sheets
A3, B4, FOLIO, LD, LG, COMP, 13"LG, 8K	7 mm (0.28")	50 sheets	45 sheets	38 sheets

- The loading height is 7 mm or 50 sheets (60 to 80 g/m<sup>2</sup> (16 to 20 lb. Bond)) when ejecting mixed-size paper.
- The paper cannot exit in the offset mode to the upper receiving stacker.

### Lower Receiving Stacker

#### Other than the staple mode

Paper size	Loading height	Paper weight						
		60 - 80 g/m <sup>2</sup> (16 - 20 lb. Bond)	81 - 90 g/m <sup>2</sup> (21 - 24 lb. Bond)	91 - 105 g/m <sup>2</sup> (25 - 28 lb. Bond)	106 - 163 g/m <sup>2</sup> (29 lb. Bond - 90 lb. Index)	164 - 209 g/m <sup>2</sup> (91 lb. Index - 110 lb. Index)	210 - 256 g/m <sup>2</sup> (111 lb. Index - 140 lb. Index)	257 - 280 g/m <sup>2</sup> (141 lb. Index - 100 lb. Cover)
A4-R, A4, A5-R, B5-R, B5, LT-R, LT, ST-R, 8.5"SQ, 16K, 16K-R	73 mm (2.87")	500 sheets	444 sheets	381 sheets	85 sheets	50 sheets	40 sheets	37 sheets
A3, B4, FOLIO, LD, LG, COMP, 13"LG, 8K	36 mm (1.42")	250 sheets	222 sheets	191 sheets				

- The loading height is 36 mm or 250 sheets (60 to 80 g/m<sup>2</sup> (16 to 20 lb. Bond)) when ejecting mixed-size paper.
- The offset mode does not support the paper sizes A5-R, A6-R, B5-R, ST-R, 16K-R and non-standard.

#### Staple mode

Paper size	Stapling position	Loading height	Paper weight		
			60 - 80 g/m <sup>2</sup> (16 - 20 lb. Bond)	81 - 90 g/m <sup>2</sup> (21 - 24 lb. Bond)	91 - 105 g/m <sup>2</sup> (25 - 28 lb. Bond)
A4-R, A4, A5-R, B5-R, B5, LT-R, LT, ST-R, 8.5"SQ, 16K, 16K-R	Single (Front/Rear), Double	73 mm (2.87") or 50 sets	500 sheets	444 sheets	381 sheets
A3, B4, FOLIO, LD, LG, COMP, 13"LG, 8K	Single (Front/Rear), Double	36 mm (1.42") or 25 sets	250 sheets	222 sheets	191 sheets

■ Hole Punch Unit MJ-6011 Series

Model name	MJ-6011 Series		
	MJ-6011E	MJ-6011F	MJ-6011S
Number of holes	2 holes	4 holes	4 holes
Hole diameter	6.5 mm (0.26")	6.0 mm (0.24")	6.0 mm (0.24")
Distance between holes	80 mm (±1 mm) (3.15" (± 0.04"))	80 mm (± 1 mm) (3.15" (± 0.04"))	Center: 70 mm (± 1 mm) (2.76" (± 0.04")) Outside: 21 mm (± 1 mm) (0.83" (± 0.04"))
Acceptable paper size	A3, B4, FOLIO, LD, LG, COMP, 13"LG, 8K, A4, A4-R, B5, B5-R, LT, LT-R, 8.5"SQ, 16K, 16K-R	A3, LD, 8K, A4, LT, 16K	A3, B4, FOLIO, LD, LG, COMP, 13"LG, 8K, A4, A4-R, B5, B5-R, LT, LT-R, 8.5"SQ, 16K, 16K-R
Acceptable paper weight	64 - 128 g/m <sup>2</sup> , 17 lb. Bond - 34 lb. Bond		
Power source	DC 5 V, DC 24 V (supplied from the equipment)		
Weight	Approx. 3.3 kg (7.3 lb.)		

## ■ Hole Punch Unit MJ-6105 Series

<b>Model name</b>		MJ-6105 Series
		MJ-6105E
<b>Acceptable paper size</b>		A3, A4, A4-R, B4, B5, B5-R, FOLIO, LD, LG, LT, LT-R, COMP, 8.5"SQ, 8K, 16K, 16K-R, 13"LG
<b>Acceptable paper weight</b>		60 - 209 g/m <sup>2</sup> , 16 lb. Bond - 110 lb. Index
<b>Punching</b>	<b>Model name</b>	MJ-6105E
	<b>Number of holes</b>	2 holes
	<b>Hole diameter</b>	6.5 mm (0.26")
	<b>Distance between holes</b>	80 mm (± 1 mm) (3.15"(± 0.04"))
<b>Power source</b>		DC 5 V, DC 24 V (supplied from the equipment)
<b>Dimensions</b>		112 mm (4.4") (W) x 573 mm (22.6") (D) x 323 mm (12.7") (H) (excl. Lower cover)
<b>Weight</b>		Approx. 7 kg (15.4 lb.)

## System Options

### ■ FAX Unit

<b>Model Name</b>	GD-1370
<b>Size of Original</b>	A3, A4, A4-R, A5, A5-R, B4, B5, B5-R, FOLIO, LD, LG, LT, LT-R, ST, ST-R, COMP
<b>Recording Paper Size</b>	A3, A4, A4-R, A5-R, B4, B5, B5-R, FOLIO, LD, LG, LT, LT-R, ST-R, COMP
<b>Compatibility Communication Modes</b>	ECM, Super G3
<b>Communication Resolution</b>	Horizontal: 8 dots/mm, 16 dots/mm, 300 dots/inch
	Vertical: 3.85 lines/mm, 7.7 lines/mm, 15.4 lines/mm, 300 dots/inch
<b>Transmission Rate</b>	33,600/31,200/28,800/26,400/24,000/21,600/19,200/16,800/14,400/12,000/9,600/7,200/ 4,800/2,400 bps
<b>Encoding Systems</b>	JBIG/MMR/MR/MH
<b>Memory Capacity</b>	Transmission/Reception: 1 GB (HDD) *1
<b>Unit Type</b>	Desktop type, transmitting/receiving dual type
<b>Applicable Network</b>	Public Switched Telephone Network (PSTN)

\*1 For hard drives, MB means 1 million bytes. (Total HDD accessible capacity may vary depending on operating environment.)

Oki-recommended paper is used for the values above. Specifications and appearance are subject to change without notice in the interest of product improvement.

## ■ Wireless LAN and Bluetooth units

### □ Wireless LAN

<b>Transmission Format</b>	IEEE 802.11b/g/n standard Direct Sequence Spread Spectrum (DSSS) Orthogonal Frequency Division Multiplexing (OFDM)
<b>Data Rate</b>	150 Mbps at a maximum (11n, 40 MHz)
<b>Access Method</b>	CSMA/CA
<b>Frequency Band</b>	2.4 GHz (2412 to 2462 MHz)
<b>Aerial Power</b>	10 mW/MHz or less
<b>Security</b>	Static WEP Key Length: 64 bit, 128 bit WPA2-PSK (AES (CCMP), TKIP+AES (CCMP)) WPA/WPA2-PSK (AES (CCMP), TKIP+AES (CCMP)) WPA2-PEAP/EAP-TLS (AES (CCMP), TKIP+AES (CCMP)) WPA/WPA2-PEAP/EAP-TLS (AES (CCMP), TKIP+AES (CCMP)) 802.1X: PEAP/EAP-TLS (DYNAMIC WEP) WPS: WPS-PBC, WPS-PIN PEAP/EAP-TLS supported RADIUS server Windows Server 2008/2012/2016 Linux hostapd v2.0
<b>Operation Mode</b>	Infrastructure Mode, Wi-Fi Direct (Group Owner: ON/OFF, When "ON" is selected, 8 units can be connected at a maximum.)
<b>Wireless ON/OFF</b>	Available
<b>Wired LAN/Wireless LAN Simultaneous Operation</b>	Wired/Wireless LAN (Infrastructure mode): Not available Wired/Wireless LAN (Wi-Fi Direct): Available Wireless LAN (Infrastructure mode and Wi-Fi Direct): Available

### □ Bluetooth

<b>Standard</b>	Bluetooth V3.0 standard compliant
<b>Frequency Band</b>	2.4 GHz (2402 to 2480 MHz)
<b>Data Rate</b>	Max. 2.1 Mbps (Asymmetric) Max. 1.3 Mbps (Symmetric)
<b>Radio Modulation</b>	FHSS (Frequency Hopping Spread Spectrum)
<b>Aerial Power</b>	1 mW/MHz or below (Power Class 2)
<b>Support Profile</b>	For Print: HCRP, BIP, OPP, FTP For Keyboard: HID
<b>Bluetooth ON/OFF</b>	Available

#### Tips

- Wireless LAN and Bluetooth can be operated at the same time.
- If you want to use Bluetooth BIP print, contact your service technician or representative.



# INDEX

---

<b>A</b>		
A/B format .....	8	
Additional Drawer Module.....	8, 28	
<b>B</b>		
Bridge Unit .....	29	
<b>C</b>		
Center fold.....	25	
<b>D</b>		
Dual Scan Document Feeder .....	27	
<b>E</b>		
Envelope.....	9	
Envelope Drawer.....	28	
<b>F</b>		
FAX Unit .....	39	
Finisher .....	25, 30	
Inner .....	25, 35	
Saddle Stitch.....	25, 32	
Finishing mode		
center fold .....	25	
group .....	25	
hole punch .....	25	
magazine sort .....	25	
magazine sort & center fold .....	25	
magazine sort & saddle stitch .....	25	
manual staple .....	25	
non-sort non-staple.....	25	
rotate sort .....	25	
saddle stitch.....	25	
sort .....	25	
staple sort .....	25	
<b>G</b>		
Group.....	25	
<b>H</b>		
Hole punch .....	25	
Hole Punch Unit .....	25, 37, 38	
<b>J</b>		
Job Separator.....	29	
<b>L</b>		
Large Capacity Feeder .....	8, 28	
LT format .....	8	
<b>M</b>		
Magazine sort .....	25	
Magazine sort & center fold .....	25	
Magazine sort & saddle stitch.....	25	
Manual staple.....	25	
Maximum number of sheets available		
for center folding.....	33	
Maximum number of sheets available		
for saddle stitching.....	33	
Maximum number of sheets available		
for stapling.....	30, 32, 35	
MPT .....	9	
<b>N</b>		
Non-sort Non-staple.....	25	
Non-standard size .....	8	
<b>P</b>		
Paper		
acceptable copy paper .....	8	
Paper Feed Pedestal .....	8, 28	
PCL fonts .....	18	
Plain paper.....	8	
PS fonts .....	19	
<b>R</b>		
Recommended paper.....	8	
Recycled paper .....	8	
Reversing Automatic Document Feeder .....	27	
Rotate sort .....	25	
<b>S</b>		
Saddle stitch .....	25	
Saddle Stitch Finisher .....	32	
Sort.....	25	
Special paper.....	9	
Specifications .....	14	
Staple sort.....	25	
<b>T</b>		
Tab paper.....	9	
Template.....	22	
Thick paper .....	9	
Thin paper.....	9	
Transparency.....	9	
Trays		
acceptable copy paper .....	8	
<b>W</b>		
Wireless LAN and Bluetooth units .....	40	





**Oki Data Corporation**  
4-11-22 Shibaura, Minato-ku, Tokyo  
108-8551, Japan

[www.oki.com/printing/](http://www.oki.com/printing/)

