



MULTIFUNCTIONAL DIGITAL COLOR SYSTEMS  
/ MULTIFUNCTIONAL DIGITAL SYSTEMS

# Safety Information

---

**ES9160 MFP/ES9170 MFP**

**ES9460 MFP/ES9470 MFP**

**CX3535 MFP/CX4545 MFP**

- Read this manual carefully before using this equipment, and be sure to keep it for future reference.

# CONTENTS

---

<b>Preface</b> .....	<b>1</b>
<b>Security Precautions</b> .....	<b>3</b>
<b>Notice to Users</b> .....	<b>5</b>

## **Chapter 1 GENERAL PRECAUTIONS**

---

<b>General Precautions</b> .....	<b>11</b>
When installing or moving .....	11
When using the Multifunctional Digital Systems.....	14
During maintenance or inspection .....	18
When handling supplies .....	18

## **Chapter 2 ENVIRONMENTAL INFORMATION**

---

<b>Environmental Information</b> .....	<b>21</b>
ENERGY STAR® Program .....	21
Turkey RoHS Compliance .....	21

# Preface

---

Thank you for purchasing the Oki Multifunctional Digital Systems.

The SAFETY INFORMATION describes the necessary precautions for using this OKI Multifunctional Digital Systems.

For your added safety, be sure to read this booklet before using this equipment. The models vary from region to region.

**Model name:**

- ES9160 MFP/ES9170 MFP
- ES9460 MFP/ES9470 MFP
- CX3535 MFP/CX4545 MFP

If there is a model name in the note, the corresponding model is applicable. If not, the above models are applicable.

Example:

**ES9460 MFP/CX3535 MFP:** This is a note for using ES9460 MFP/CX3535 MFP.

## ■ Trademarks

Other company and product names given in this manual or displayed in this software may be the trademarks of their respective companies.

## ■ Disclaimer Notice

The following notice sets out the exclusions and limitations of liability of Oki Data Corporation (including its employees, agents and sub-contractors) to any purchaser or user ('User') of the ES9460 MFP/ES9470 MFP, CX3535 MFP/CX4545 MFP or ES9160 MFP/ES9170 MFP, including its accessories, options and bundled software ('Product').

1. The exclusion and limitations of liability referred to in this notice shall be effective to the fullest extent permissible at law. For the avoidance of doubt, nothing in this notice shall be taken to exclude or limit Oki Data Corporation's liability for death or personal injury caused by Oki Data Corporation's negligence or Oki Data Corporation's fraudulent misrepresentation.
2. All warranties, conditions and other terms implied by law are, to the fullest extent permitted by law, excluded and no such implied warranties are given or apply in relation to the Products.
3. Oki Data Corporation shall not be liable for any loss, cost, expense, claim or damage whatsoever caused by any of the following:
  - (a) use or handling of the Product otherwise than in accordance with the manuals, including but not limited to Operator's Manual, User's Guide, and/or incorrect or careless handling or use of the Product;
  - (b) any cause which prevents the Product from operating or functioning correctly which arises from or is attributable to either acts, omissions, events or accidents beyond the reasonable control of Oki Data Corporation including without limitation acts of God, war, riot, civil commotion, malicious or deliberate damage, fire, flood, or storm, natural calamity, earthquakes, abnormal voltage or other disasters;
  - (c) additions, modifications, disassembly, transportation, or repairs by any person other than service technicians authorized by Oki Data Corporation; or
  - (d) use of paper, supplies or parts other than those recommended by Oki Data Corporation.

- 
4. Subject to paragraph 1, Oki Data Corporation shall not be liable to Customer for:
- (a) loss of profits; loss of sales or turnover; loss of or damage to reputation; loss of production; loss of anticipated savings; loss of goodwill or business opportunities; loss of customers; loss of, or loss of use of, any software or data; loss under or in relation to any contract;
  - or
  - (b) any special, incidental, consequential or indirect loss or damage, costs, expenses, financial loss or claims for consequential compensation;

whatsoever and howsoever caused which arise out of or in connection with the Product or the use or handling of the Product even if Oki Data Corporation is advised of the possibility of such damages.

Oki Data Corporation shall not be liable for any loss, cost, expense, claim or damage caused by any inability to use (including, but not limited to failure, malfunction, hang-up, virus infection or other problems) which arises from use of the Product with hardware, goods or software which Oki Data Corporation has not directly or indirectly supplied

# Security Precautions

---

In order to make correct use of this products security function, first read the following precautions carefully. Be sure to assign administrators who have enough capability to sustain responsible management since significant privileges for managing and handling this equipment will be given them.

## ■ To Administrators


- To avoid physical security problems, such as hardware removal or inappropriate disassembly at the installation site, take all necessary measures, such as checking who enters and leaves the site.
- When connecting this product with an outer network such as the Internet, only operate it in a network environment protected by a firewall, etc. to prevent information from being leaked due to incorrect settings or avoid illegal access by unauthorized users.
- To prevent the configuration settings from being changed illegally or similar, change the initial administrator password at the time of shipping before you use this product. Also, the administrator password should be altered periodically.
- In order to make proper use of the network and user management functions, be sure to read the TopAccess Guide first.
- Be sure to understand the security policy and its procedure in your organization, and manage and operate this equipment according to the policy after first reading the operator's manual. Then explain the security instructions to general users who are authorized to use this equipment to let them conform to the security rule.
- Provide general users with the appropriate privilege of using this equipment and keep supervising its correct operation.
- Always check if the network function and user management function are enabled in order to maintain security. Should you happen to come across any abnormality, contact your service technician immediately. See the TopAccess Guide for the checking method.
- If any failure or unauthorized access occurs in this equipment, check the logs in TopAccess to find the cause. For details of checking logs, refer to the TopAccess Guide.

## ■ To general users


- After you have finished operating the equipment, be careful not to forget to remove any originals, printed paper or USB storage devices.
- Change the password regularly. Make sure not to use any predictable number such as your birthday or employee ID number, and keep it secret.
- Do not leave the equipment during the performance of the job since your originals may be seen or the output paper could be taken by someone.
- Check your log regularly to guard against unauthorized access by identity-theft. If there are too many logs, you may find the one you want more easily using the sort function in TopAccess.

---

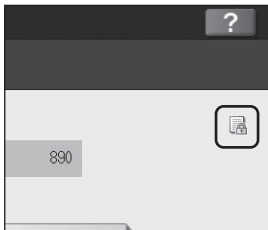
## ■ Data Encryption Function

An icon  appears on the touch panel when the user data of the Data Encryption Function by AES are enabled on this equipment.

### How to check the active status of Data Encryption Function

Press the [COUNTER] button on the control panel. This icon  appears at the touch panel if the Data Encryption Function is enabled.

Contact your service technician for the use of the Data Encryption Function.



# Notice to Users

---

After a suitable place has been selected for the installation of the ES9460 MFP/ES9470 MFP or CX3535 MFP/CX4545 MFP, ES9160 MFP/ES9170 MFP, please do not change it. Avoid excessive heat, dust, vibration and direct sunlight. Also, provide proper ventilation as the copier emits a small amount of ozone.

## For the U.S.A. only

### FCC NOTICE

This equipment has been tested and found to comply with the limits for a Class A digital device, pursuant to Part 15 of the FCC Rules. These limits are designed to provide reasonable protection against harmful interference when the equipment is operated in a commercial environment. This equipment generates, uses and can radiate radio frequency energy and, if not installed and used in accordance with the instruction manual, may cause harmful interference to radio communications. Operation of this equipment in a residential area is likely to cause harmful interference in which case the user will be required to correct the interference at his own expense.

### WARNING

Changes or modification made to this equipment, not expressly approved by Oki Data or parties authorized by Oki Data, could void the user's authority to operate the equipment.

### User Safety

This OKI Multifunctional Digital Systems does not produce laser radiation hazardous to the user. It is certified as a Class 1 laser product under the U.S Department of Health and Human Services (DHHS) Radiation Performance Standard according to the Radiation Control Health and Safety Act of 1968 including amendments. Protective housing and external covers completely confine the laser beam light emitted inside the Multifunctional Digital Systems. The laser beam cannot escape from the machine during any phase of user operation. Regulations implemented on August 2, 1976 by the Bureau of Radiological Health (BRH) of the U.S Food and Drug Administration apply to laser products manufactured from August 1, 1976. Laser products marketed in the United States must comply with these regulations.

### CAUTION

Use of controls or adjustments or performance of procedures other than those specified herein may result in hazardous radiation exposure.

## For the U.S.A. and Canada

### Regulatory Information



- The high efficiency LCD backlights used in this product contains 5 mg or less of Mercury, the disposal of which may be regulated due to environmental considerations. For disposal or recycling information, please contact your local authorities or the Electronic Industries Alliance ([www.eiae.org](http://www.eiae.org)).

### ES9460 MFP/ES9470 MFP/CX3535 MFP/CX4545 MFP

The unit is classified as Class 1 Laser Product according to IEC 60825-1:1993, IEC60825-1:2007 including amendments.

The unit uses laser diodes with a max. output of 30 mW, a wavelength of 790 nm at a continuous pulse.

### ES9160 MFP/ES9170 MFP

The unit is classified as Class 1 Laser Product according to IEC 60825-1:1993, IEC60825-1:2007 including amendments.

The unit uses laser diodes with a max. output of 10 mW, a wavelength of 785 or 793 nm at a continuous pulse.

### CAUTION

Use of controls or adjustments or performance of procedures other than those specified herein may result in hazardous radiation exposure.

---

## For Canada only

This Class A digital apparatus complies with Canadian ICES-003.  
Cet appareil numérique de la classe A est conforme à la norme NMB-003 du Canada.

## Except the U.S.A. and Canada

### **ES9460 MFP/ES9470 MFP/CX3535 MFP/CX4545 MFP**

The unit is classified as Class 1 Laser Product according to IEC 60825-1:1993, IEC60825-1:2007 including amendments.

The unit uses laser diodes with a max. output of 30 mW, a wavelength of 790 nm at a continuous pulse.

### **ES9160 MFP/ES9170 MFP**

The unit is classified as Class 1 Laser Product according to IEC 60825-1:1993, IEC60825-1:2007 including amendments.

The unit uses laser diodes with a max. output of 10 mW, a wavelength of 785 or 793 nm at a continuous pulse.

### **Caution:**

Use of controls or adjustments or performance of procedures other than those specified herein may result in hazardous radiation exposure.



## For the EU only

### Working environment

From EMC (Electromagnetic Compatibility) point of view, the operation of this product is being restricted in following environments:

- Medical Environments: This product is not certified as a medical product according to the Medical Product Directive 93/42/EEC.
- Domestic environments (e.g. a private living room with TV / Radio sets in the nearby surrounding area) because this is a so called EMC class A product. In a domestic environment this product may cause radio interference in which case the user may be required to take adequate measures!

Any consequences resulting from the use of this product in restricted working environments are not the responsibility of Oki Data.

The consequences of the use of this product in restricted working environments may be an electromagnetic interference with other devices or machines in the nearby surrounding area. This can result into malfunction including data loss / data error pertaining to this product or the other devices / machines involved in the electromagnetic interference.

Furthermore, for general safety reasons, the use of this product in environments with explosive atmospheres is not permitted.

### CE compliance

This product is labelled with the CE mark in accordance with the provisions of the applicable European Directives, notably the Low Voltage Directive 2006/95/EC, the Electromagnetic Compatibility Directive 2004/108/EC for this product and the electric accessories, the Radio Equipment and Telecommunications Terminal Equipment Directive 1999/5/EC for the telecommunication accessories.

CE marking is the responsibility of Oki Europe Limited Biays House Wick Rode Egham Surrey, TW20 OHJ United Kingdom.

For a copy of the related CE Declaration of Conformity, please contact your dealer or Oki Data.

### Warning:

This is a Class A product. In a domestic environment this product may cause radio interference in which case the user may be required to take adequate measures.

Following information is for EU-member states only:



This product is marked according to the requirement in EU-Directive 2002/96/EC.  
(Directive on Waste electrical and electronic equipment - WEEE)

The use of the symbol indicates that this product may not be disposed as unsorted municipal waste and has to be collected separately. By ensuring this product is disposed of correctly, you will help prevent potential negative consequences for the environment and human health, which could otherwise be caused by inappropriate waste handling of this product.

For more detailed information about the take-back and recycling of this product please contact your supplier where you purchased the product.

Following information is for EU-member states only:



Disposal of batteries and/or accumulators  
(based on EU-Directive 2006/66/EC,  
Directive on batteries and accumulators and waste batteries and accumulators)

By ensuring that batteries and/or accumulators are disposed of correctly, you will help prevent potential negative consequences for the environmental and human health, which could otherwise be caused by inappropriate waste handling of this product.

For more detailed information about the take-back and recycling of batteries and/or accumulators, please contact your supplier where you purchased this product.

---

## ■ Supplies / Parts

- **Dependability**  
Genuine Oki supplies are subjected to the strictest of inspections so that every supply you receive will perform at optimal levels.
- **High Productivity**  
Genuine Oki supplies are created to meet the demands of our competitive world and provide highspeed reliable copies when you need them.
- **Stable Image Quality**  
Genuine Oki supplies are designed to provide consistently stable image output.
- **Copier-friendly Supplies**  
Genuine Oki supplies are designed to help to keep the copier and all its parts in troublefree working order. Reduction of machine wear is due to Oki's intimate knowledge of the copier's characteristics, ensuring the highest standard of care.
- **Perfectly Suited Supplies**  
From the beginning Oki supplies and machines were made for each other. Whenever Oki designs a new machine, it also designs a new toner that is made just for that machine. By using Genuine Oki supplies with Oki copiers, you are guaranteed optimum performance.

## ■ Toner

- **Optimum Image Quality**  
Oki toner is manufactured using ultra-fine quality materials under precisely controlled conditions to ensure that your Oki copiers will continually generate sharp high-quality images.
- **Cost Advantage**  
Genuine Oki toner provides value. Only the proper amount of toner is used during the reproduction process, thereby enabling the machine to continue to operate until all the toner has been used. In this way you get the full value from each cartridge used.
- **Environmental Harmony**  
Genuine Oki toner is manufactured with the environment in mind. To protect our planet for the benefit of future generations, we use embossed or plastic labels, making our toner cartridges fully recyclable. In addition, dust and ozone levels have been reduced to improve the working environment.
- **User Friendly**  
Before approving our toners for sale, we test them to be sure that they pass the strictest of health standards. This takes all the worry out of handling the toner.

## ■ General

- **Service and Support Benefits**  
Oki's Service technicians are certified to keep your copier performing at optimum levels. To ensure continuous image quality, utilize an authorized Oki Service provider to care for and perform periodical maintenance on your copier.

---

## ■ How to read this manual

### □ Symbols in this manual

In this manual, some important items are described with the symbols shown below. Be sure to read these items before using this equipment.

 **WARNING**

Indicates a potentially hazardous situation which, if not avoided, could result in death, serious injury, or serious damage, or fire in the equipment or surrounding objects.

 **CAUTION**

Indicates a potentially hazardous situation which, if not avoided, may result in minor or moderate injury, partial damage to the equipment or surrounding objects, or loss of data.

**Note**

Indicates information to which you should pay attention when operating the equipment.

Other than the above, this manual also describes information that may be useful for the operation of this equipment with the following signage:

**Tip**

Describes handy information that is useful to know when operating the equipment.



Pages describing items related to what you are currently doing. See these pages as required.



# GENERAL PRECAUTIONS



## General Precautions

---

### ■ When installing or moving

#### WARNING

##### **ES9460 MFP/ES9470 MFP/CX3535 MFP/CX4545 MFP**

###### **For the U.S.A. and Canada**

Multifunctional Digital Systems require 115 V, 15 A, 50/60 Hz electric power.

###### **For the EU**

Multifunctional Digital Systems require 220 to 240 V AC, 10 A, 50/60 Hz electric power.

###### **Except the U.S.A., Canada and the EU**

Multifunctional Digital Systems require 220 to 240 V AC, 10 A, 50/60 Hz electric power.

##### **ES9160 MFP/ES9170 MFP**

###### **For the U.S.A. and Canada**

This Multifunctional Digital Systems requires 115 V, 12 A, 50/60 Hz electric power.

###### **For the EU**

This Multifunctional Digital Systems requires 220 to 240 V AC, 8 A, 50/60 Hz electric power.

###### **Except the U.S.A., Canada and the EU**

This Multifunctional Digital Systems requires 220 to 240 V AC, 8 A, 50/60 Hz electric power.

For Saudi Arabia 100 V version, it requires 127 V AC, 12 A, 50/60 Hz electric power.

- Do not use a power supply with a voltage other than that specified.  
Avoid multiple connections in the same outlet. This could cause a fire or give you an electric shock. If you are considering increasing the number of outlets, contact an electrician.
- Always connect this Multifunctional Digital Systems to an outlet with a ground connection to avoid the danger of fire or electric shock in case of short-circuiting. Contact your service representative for the details. Be sure to use a 3-conductor, grounded wall outlet.  
In areas, except the U.S. and Canada, where a 2-pin plug is used, the Multifunctional Digital Systems must be grounded for safety. Never ground it to a gas pipe, a water pipe, or any other object not suitable for grounding.
- Plug the power cord securely into the outlet. If it is not plugged in properly, it could heat up and cause a fire or give you an electric shock.

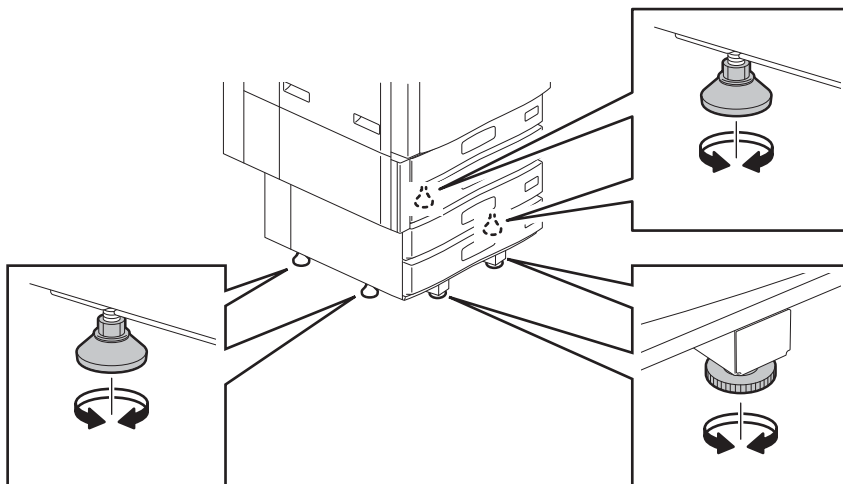
- 
- Do not damage, break or attempt to repair the power cord.  
The following things should not be done to the power cord.
    - Twisting it
    - Bending it
    - Pulling it
    - Placing anything on it
    - Heating
    - Situating it near radiators or other heat sourcesThis could cause a fire or give you an electric shock. If the power cord is damaged, contact your service representative.
  - Do not install the equipment by yourself or try to move it once it has been installed. This could result in an injury or damage to the device. Contact your service representative if the equipment needs to be installed or moved.
  - The socket outlet shall be near the equipment and be easily accessible.
  - Pull out the plug from the outlet more than once a year to clean around the prongs. Accumulating dust and dirt could cause a fire due to the heat released by electric leakage.

## CAUTION

- When removing the plug from the outlet, do not pull the power cord. Always hold the plug when removing it from the outlet. If the power cord is pulled, the wires may break and this could cause a fire or give you an electric shock.
- Make sure that the ventilation holes are not blocked.  
If the temperature within the Multifunctional Digital Systems becomes too high, a fire could result.

### **ES9460 MFP/ES9470 MFP/CX3535 MFP/CX4545 MFP**

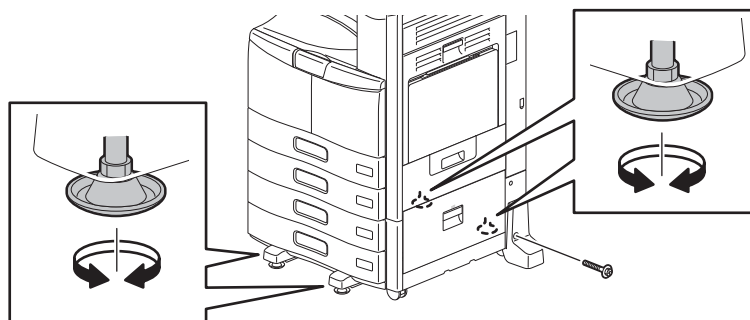
- The Paper Feed Pedestal (optional) has 4 antiskid devices and 2 fall-preventing stoppers on the bottom. When moving this equipment, turn them in the direction of arrows (see figures below) and raise them to unfix the equipment. After it has been moved, be sure to turn them in the opposite direction and lower them to fix it.



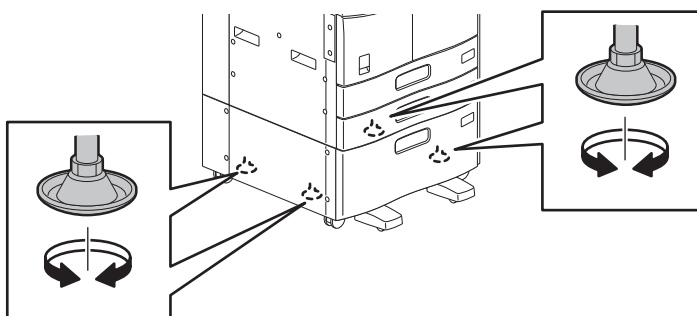
## ES9160 MFP/ES9170 MFP

- Both the Paper Feed Pedestal and the Large Capacity Feeder have 4 adjusters (antiskid devices) underneath. After the equipment has been moved and installed, be sure to turn and lower them to fix it. For the Paper Feed Pedestal, fix the fall-prevention stoppers after the adjusters have been adjusted.

### Paper Feed Pedestal

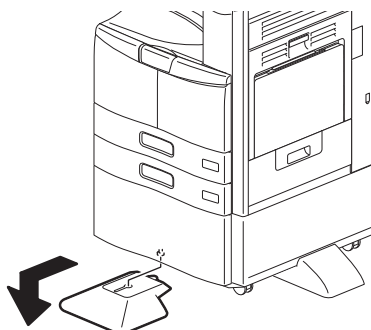


### Large Capacity Feeder

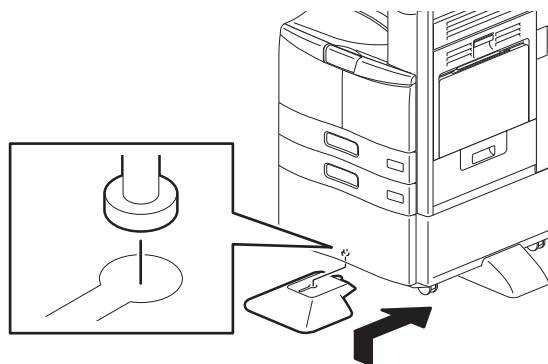


Before moving the equipment with the Desk installed, remove the front stabilizer. Be sure to reinstall it after the equipment has been moved.

### Removing the stabilizer



### Installing the stabilizer



### ⚠ WARNING

Do not install the equipment by yourself or try to move it once it has been installed. This could result in an injury or damage to the device. Contact your service representative if the equipment needs to be installed or moved.

---

## □ Other points

- If there is insufficient space around the equipment, the poor ventilation will result in malfunction, also some operations such as bypass feeding and releasing paper jams may become difficult. To ensure adequate space, follow the table below as a guide.

Adequate space		
Rear	Left	Right
10 cm (3.9")	30 cm (11.8")	80 cm (31.5")

- Be sure to fix the power cable securely so that no one trips over it.
- Adverse environmental conditions may affect the safe operation and performance of the Multifunctional Digital Systems, and the Multifunctional Digital Systems could break down.
  - Avoid locations near windows or with exposure to direct sunlight.
  - Avoid locations with drastic temperature fluctuations.
  - Avoid too much dust.
  - Avoid locations that suffer from vibration.
- Make sure that the air is able to flow freely and that there is sufficient ventilation. Without adequate ventilation, the unpleasant odor released by ozone will begin to dominate the atmosphere.

## ■ When using the Multifunctional Digital Systems

### ⚠ WARNING

- Do not take off the cover of the equipment; otherwise you could be injured or get an electric shock.
- Do not remove or connect the plug with wet hands, as this could give you an electric shock.
- Do not place any container with liquid (flower vases, coffee cups, etc.) on or near the equipment. This could cause a fire or give you an electric shock.
- Keep paper clips and staples away from the air vent. If not, a fire could result or you could get an electric shock.
- If the Multifunctional Digital Systems becomes excessively hot, smoke comes out of it or there is an odd smell or noise, proceed as follows.  
Turn the main power switch OFF and remove the plug from the outlet, then contact your service representative.
- If the Multifunctional Digital Systems will not be used for more than one month, remove the plug from the outlet for safety purposes during that time. If an insulation failure occurs, this could cause a fire or give you an electric shock.

### ⚠ CAUTION

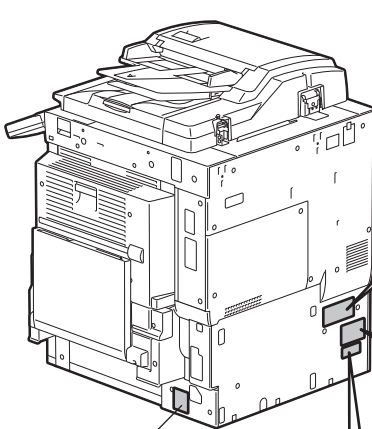
- Do not place heavy objects (4 kg/9 lb. or more) on the original glass and do not press on it with force. Breaking the glass could cause personal injury.
- Do not place heavy objects (4 kg/9 lb. or more) on the Multifunctional Digital Systems. If the objects fall off, this could cause injury.
- Do not touch the fuser unit or the metal area around it. Since they are very hot, you could be burned or the shock could cause you to injure your hand in the machine.
- Be careful not to let your fingers be caught when closing the drawer. This could cause an injury.
- Be careful not to let your fingers be caught between the equipment and the duplexing unit or automatic duplexing unit. This could cause an injury.
- Do not touch the metal portion of the guide plate in the duplexing unit or automatic duplexing unit as it could burn you.
- Do not touch the hinge (= a connecting part) on the rear side of the Reversing Automatic Document Feeder. This could catch and injure your fingers when you open or close the Reversing Automatic Document Feeder.
- Always keep hands and fingers clear of FINISHER TRAY HINGE, as the tray could move unexpectedly. Failure to do so could result in injury to your hand and/or fingers.
- Do not use the pulled out drawers as steps. This could injure you if you fall.



- 
- When changing the angle of the control panel, be careful not to catch your hands in the gap between the equipment and the control panel. This could cause personal injury.
  - Do not place objects of weighing 3.3 kg/7.3 lb. or more on the optional work table. Breaking the work table could cause personal injury.

## □ Position of certification Labels, etc.

ES9460 MFP/ES9470 MFP/CX3535 MFP/CX4545 MFP



**Explanatory label**

CLASS 1 LASER PRODUCT  
 APPAREIL À LASER DE CLASSE 1  
 LASER KLASSE 1  
 PRODUCTO DE LASER DE CLASE 1  
 クラス1 レーザー製品  
 CLASS 1 레이저 제품  
 1类激光产品  
 第1類雷射產品

**Identification label**

<p><b>For U.S.A. and Canada</b></p> <p>Model No. N31301A          AC115V 50/60Hz 12A</p> <p>Okidata Corp.          Made in China</p>	<p><b>For Latin America</b></p> <p>Model No. N31300B          AC220~240V 50/60Hz 8A</p> <p>Okidata Corporation          Made in China</p>
<p><b>For Europe</b></p> <p>Model No. N31300B          AC220~240V 50/60Hz 8A</p> <p>Okidata Corporation          Made in China</p>	<p><b>Other</b></p> <p>Model No. N31300B          AC220~240V 50/60Hz 8A</p> <p>Okidata Corporation          Made in China</p>

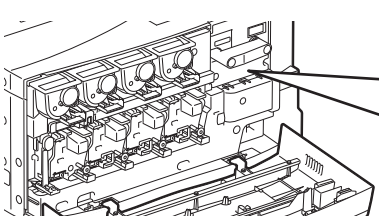
**Warning for grounding wire**

**Certification label (For the U.S.A. and Canada)**

Product is certified by manufacturer to comply with DHHS Rule 21 CFR subchapter J applicable at the date of Manufacture.

Manufactured: \_\_\_\_\_ TC

Okidata Corporation  
 4-11-22 Shibaura, Minato-ku,  
 Tokyo 108-8551, Japan



**Warning label**

DANGER-CLASS 3B INVISIBLE LASER RADIATION WHEN OPTICAL UNIT OPEN OR DRUM UNIT REMOVED AND INTERLOCK DEFEATED, AVOID DIRECT EXPOSURE TO BEAM.

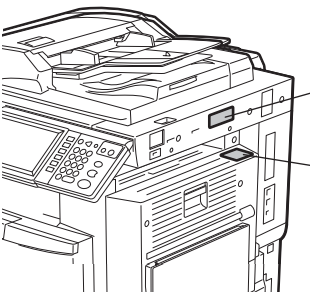
VORSICHT-KLASSE 3B UNSICHTBARE LASERSTRAHLUNG, WENN DIE ABDECKUNG GEÖFFNET ODER DIE TROMMEL ENTFERNT UND DIE VERRIEGELUNG UNWIRKSAM GEMACHT WIRD, NICHT DIREKT DEM STRAHL AUSSETZEN.

DANGER-CLASSE 3B RAYON LASER INVISIBLE LORSQUE LE BLOC OPTIQUE EST OUVERT, LE TAMBOUR RETIRE ET LE VERROUILLAGE HORS D'USAGE, EVITER L'EXPOSITION DIRECTE AU RAYON.

PELIGRO-RADIACION INVISIBLE DE LASER CLASE 3B CUANDO LA UNIDAD OPTICA ESTA ABIERTA O LA UNIDAD DEL CILINDRO ES RETIRADA Y CUANDO EL INTERRUPTOR DE SEGURIDAD ESTA DESACTIVADO. EVITE EXPOSICION DIRECTA AL RAYO.

危険-ドラムユニットを外したり光学ユニットを開けたときドラスイッチを無効にするとクラス3Bの不可視レーザー放射の恐れあり。ビームへの直接曝露を避けよ。

>PS<

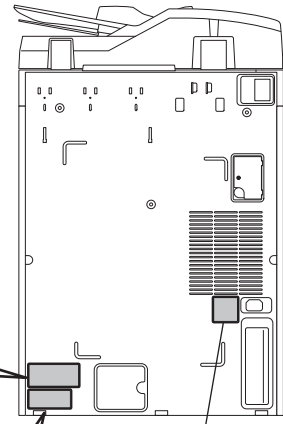


**Warning for high temperature area (Fuser unit)**

**Warning for high temperature area (Ventilation holes)**

**Warning for handling transfer belt**

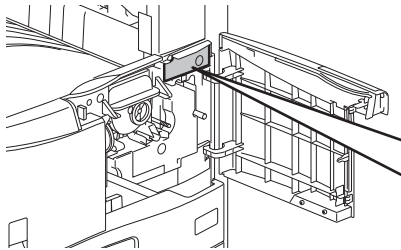
Explanatory label



Warning for grounding wire

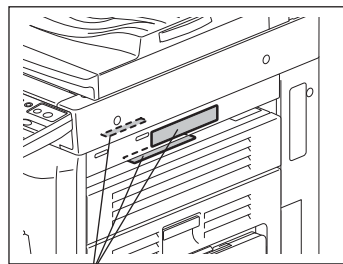
Identification label

<p>For Latin America</p>	<p>For Europe</p>	<p>Other</p>
--------------------------	-------------------	--------------

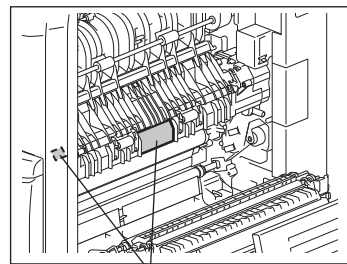


Warning label

危険-ドラムユニットを外したり光学ユニットを開けたときドアシッチを無効にするとクラス3Bの不可視レーザー放射の恐れあり。ビームの直接暴露を避ける。  
 DANGER-CLASS 3B INVISIBLE LASER RADIATION WHEN OPTICAL UNIT OPEN OR DRUM UNIT REMOVED AND INTERLOCK DEFEATED. AVOID DIRECT EXPOSURE TO BEAM.  
 VORSICHT-KLASSE 3B UNSICHTBARE LASERSTRAHLUNG. WENN DIE ABDECKUNG GEÖFFNET ODER DIE TRÖMMEL ENTFERNT UND DIE VORRICHTUNG UNWIRKSAM GEMACHT WIRD, NICHT DIREKT DEM STRAHL AUSSETZEN.  
 DANGER-CLASSE 3B RAYON LASER INVISIBLE LORSQUE LE BLOC OPTIQUE EST OUVERT, LE TAMBOUR RETIRE ET LE VERROUILLAGE HORS D'USAGE. EVITER L'EXPOSITION DIRECTE AU RAYON.  
 PELIGRO-RADIACION INVISIBLE DE LASER CLASE 3B CUANDO LA UNIDAD OPTICA ESTA ABIERTA O LA UNIDAD DEL CILINDRO ES RETIRADA Y CUANDO EL INTERRUPTOR DE SEGURIDAD ESTA DE SACTRADO, EVITE EXPOSICION DIRECTA AL RAYO.



Warning for high temperature area (Fuser unit)



Warning for high temperature area (Fuser unit)

---

## ❑ Other points

- Be very careful to treat the touch panel gently and never hit it. Breaking the surface could cause malfunctions.
- Do not turn the power OFF with paper left jammed inside the equipment. This could cause a malfunction when the power is turned ON next time.
- Be sure to turn the power OFF when leaving the office or if there is a power outage. However, do not turn the power OFF if the weekly timer is in use.
- Be careful because the paper exit area and paper just after exiting are hot.
- Do not place anything other than paper on the receiving tray. This could disturb a normal operation and cause malfunctions.
- Do not touch the photoconductive drum, transfer belt and 2nd transfer roller. This could cause image problems.
- Do not open/close the covers and the bypass tray, or pull out the drawers during printing.

## ■ During maintenance or inspection

### ⚠ WARNING

- Never attempt to repair, disassemble or modify the Multifunctional Digital Systems by yourself. You could cause a fire or get an electric shock. Always contact your Service representative for maintenance or repair of the internal parts of the Multifunctional Digital Systems.
- Do not let liquids such as water and oil get into the system when cleaning the floor. This could cause a fire and give you an electric shock.

### ⚠ CAUTION

- Always keep the plug and outlet clean. Prevent them from accumulating dust and dirt. This could cause a fire and give you an electric shock due to the heat released by electric leakage.
- Do not touch the stapling area. The actual needle point could cause you personal injury.

## ❑ Other points

- Do not use such solvents as thinner or alcohol when cleaning the surface of the Multifunctional Digital Systems.
  - This could warp the shape of the surface or leave it discolored.
  - When using a chemical cleaning pad to clean it, pay attention to any cautionary points.

## ■ When handling supplies

### ⚠ CAUTION

- Never attempt to incinerate toner cartridges and waste toner boxes. Dispose of used toner cartridges and waste toner boxes in accordance with local regulations.

## ❑ Other points

- Read the operator's manual carefully to replace the toner cartridge using the correct procedure. An improper procedure could cause toner leakage or scattering.
- Do not open the toner cartridge forcibly. This could cause toner leakage or scattering.
- Keep the toner cartridge out of the reach of children.
- If toner is spilt on your clothes, wash it off with cold water. Your clothes will be stained with toner and it will not come out if you use warm water.
- If toner leaks from the toner cartridge, be careful not to inhale or touch it.

**First-aid measures**

If you inhale or touch toner, etc; carry out the following treatment.

- Inhalation: Remove from exposure area to fresh air immediately. Contact a physician if there is any difficulty in breathing or other signs of distress.
- Skin Contact: Wash with soap and water. Wash clothing before reuse. If irritation occurs or is persistent, seek medical attention.
- Eye Contact: Immediately flush eyes with plenty of water for at least 15 minutes. If irritation persists, call a physician.
- Ingestion: Dilute stomach contents with several glasses of water.



# ENVIRONMENTAL INFORMATION

# 2

## Environmental Information

---

### ■ ENERGY STAR® Program

Oki Data Corporation, as a member of the ENERGY STAR Program, attaches the ENERGY STAR logo to all products which meet the ENERGY STAR Program requirements.



The ENERGY STAR Program aims at the promotion of the development and wider usage of office equipment including energy-efficient computers in order to address environmental issues such as global warming. Manufacturers that participate in this program can attach the ENERGY STAR logo to products after confirming that they meet the energy saving standards of this program. Also, these standards and logo are commonly used within the U.S. Environmental Protection Agency (EPA) and participating countries. Specified products, sales countries or regions may not be included.

To distinguish whether or not the product meets the ENERGY STAR Program requirements, check if the corresponding logo is on the product.

If you have any questions, contact your service representative.

### ■ Turkey RoHS Compliance

EEE Yönetmeliğine Uygundur.

This information is applicable for Republic of Turkey only.

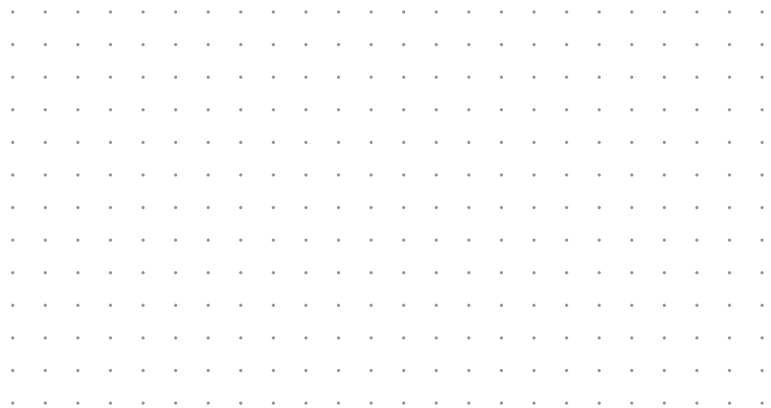






**Oki Data Corporation**  
4-11-22 Shibaura, Minato-ku, Tokyo  
108-8551, Japan

[www.okiprintingsolutions.com](http://www.okiprintingsolutions.com)



45106502EE  
6LJ05508000