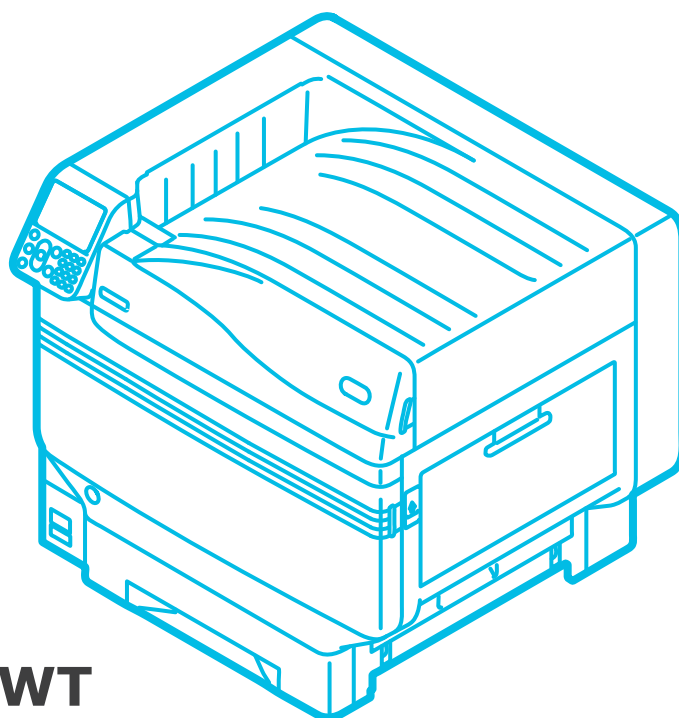


User's Manual

Basic

Preparing the printer to print



Pro9541WT

1 Before use

2 Setting Up

3 Printing

4 Basic Device Operations

Appendix

Index

● Manual Configuration

The following user manuals are enclosed with the product.

The e-manual is stored on the "Software DVD-ROM".

Step 1 Read this first



Opening the box and installing the printer

Set-up Guide

This guide uses illustrations to explain the methods from opening the box to installation. For the advanced setup guide, see the "Basic".

• Pamphlet



Preparing the printer to print

Basic (This manual)

This guide describes the precautions for safe use of the device. Make sure to read before use. Further, basic uses from the device installation methods to initial printing are also explained. The device functions are described in the appendix.

• E-format

- Checking the product
- Parts nomenclature and functions
- Using the device to its fullest
- Installing the device
- Turning ON and OFF the power supply
- Test printing using the printer only
- Connecting to a PC
- Paper
- Printing
- Paper ejection
- Setting Power Save mode
- Setting auto power OFF
- Checking the print quantity, consumables, remaining maintenance unit quantity, and remaining service life
- Cancelling a print job
- Adding printers using LPD protocols (TCP/IP)
- Table of control panel menu items
- Basic Windows procedures
- Printer specifications

Step 2 Read these guides as necessary



Try using various functions

Advanced

This guide explains the various paper print methods and how to use useful functions. Read to optimize the printing environment or to adjust the color, etc., using the enclosed utility software. Further, this guide also explains the items that can be set from the control panel, and the network settings.

• E-format

- Useful print functions
- Adjusting the color
- Using utility software
- Network settings
- Checking and changing printer settings using the control panel



Read for any points that are not understood, or for maintenance

Troubleshooting/Daily Maintenance Manual

This manual explains the procedures for paper jams, and troubleshooting method if an error message is displayed. This manual also explains daily maintenance such as how to replace consumables and maintenance units, and cleaning, etc.

• E-format

- Troubleshooting
- Maintenance
- Consumables, maintenance products, options, color management server, etc.



Separate Volume Spot Color Guide

This guide explains how to check the printer drivers, and how to print using Spot Color. Make sure to read before use.

• E-format

- Control panel explanation
- Checking the printer drivers
- Table of printer driver functions
- Printing on color paper
- Printing on transparent film
- Specifying and printing Spot Color toner using the applications
- Fine-tuning white

● Reading the Manual

Symbols

! Note

- These are cautions and restrictions for the correct operation of the device. Make sure to read to avoid misoperation.

Memo

- Knowledge of the information before using the device is useful and can act as a reference. Reading is recommended.

Reference

- These are the reference pages. Read to learn detailed information and relevant information.

! WARNING





- Mishandling due to ignoring this display may cause death or serious injury.

! CAUTION

- Mishandling due to ignoring this display may cause personal injury.

Keys, Buttons, and Symbols

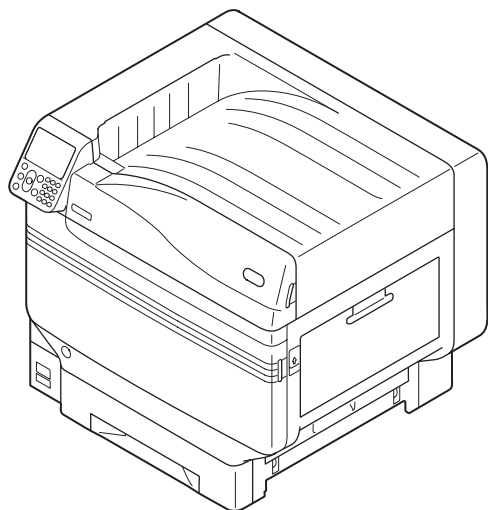
This chapter described the following keys, buttons, and symbols.

Inscription	Explanation
[] button/key	<ul style="list-style-type: none"> ● The control panel buttons and 10-key pad are described below. E.g.: <div style="display: flex; justify-content: space-around; align-items: center;"> <div style="text-align: center;">  → [OK] button </div> <div style="text-align: center;">  → [BACK] button </div> </div> <div style="display: flex; justify-content: space-around; align-items: center; margin-top: 10px;"> <div style="text-align: center;">  → [Fn] key </div> <div style="text-align: center;">  → [CLEAR] key </div> </div> <ul style="list-style-type: none"> ● Indicates your PC keyboard.
[]	<ul style="list-style-type: none"> ● Describes the menu name on the liquid crystal panel. ● Describes the PC menus, windows, and dialog box names.
" "	<ul style="list-style-type: none"> ● Describes the messages and input text displayed in the liquid crystal panel. ● Describes the file and screen names on the PC. ● Describes the reference title.
>	Describes the menu level of the device or PC.

Illustrations

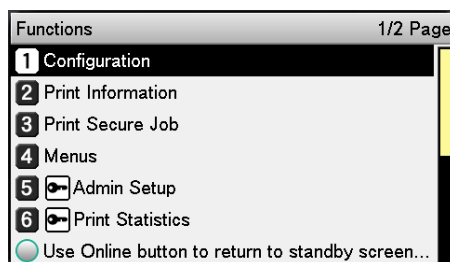
The device illustrations used herein show the Pro9541WT model unless otherwise specified.

Illustrations may differ from the actual product.



Screens

The images of the control panel and PC used herein are examples. The images may differ from actual products and screens.



Inscriptions

The following inscriptions are used in this manual.

- Pro9541WT → Pro9541
- Microsoft® Windows® 10 64-bit Edition operating system → Windows 10 (64bit version)
- Microsoft® Windows® 10 operating system → Windows 10
- Mac OS X 10.10.5 or later → Mac OS X

The manuals enclosed with the printer use as examples Windows 10 in the case of Windows, and OS X 10.13 in the case of Mac OS X unless otherwise specified.

Depending on the OS and model used, descriptions in this manual may differ.

● About the Product Warranty

Every effort has been made to ensure that the information in this document is complete, accurate, and up-to-date. The manufacturer assumes no responsibility for the results of errors beyond its control. The manufacturer also cannot guarantee that changes in software and equipment made by other manufacturers and referred to in this guide will not affect the applicability of the information in it. Mention of software products manufactured by other companies does not necessarily constitute endorsement by the manufacturer.

While all reasonable efforts have been made to make this document as accurate and helpful as possible, we make no warranty of any kind, expressed or implied, as to the accuracy or completeness of the information contained herein.

All rights are reserved by Oki Electric Industry Co., Ltd. You must not copy, transfer, translate, etc. the content herein without authorization. You must obtain written permission from Oki Electric Industry Co., Ltd. before doing any of the above.

© 2018 Oki Electric Industry Co., Ltd.

OKI is a registered trademark of Oki Electric Industry Co., Ltd.

Energy Star is a trademark of the United States Environmental Protection Agency.

Microsoft, Windows, Windows Server and Windows Vista are registered trademarks of Microsoft Corporation.

Apple, Macintosh, Mac and Mac OS are registered trademarks of Apple Inc.

Other product names and brand names are registered trademarks or trademarks of their proprietors.



This product complies with the requirements of the Council Directives 2014/30/EU (EMC), 2014/35/EU (LVD), 2014/53/EU (RED), 2009/125/EC (ErP) and 2011/65/EU (RoHS), as amended where applicable, on the approximation of the laws of the member states relating to Electromagnetic Compatibility, Low Voltage, Radio & Telecommunications Terminal Equipment, Energy related Products and Restriction on the use of certain Hazardous Substances in electrical and electronic equipment.

The following cables were used to evaluate this product for EMC directive 2014/30/EU compliance, and configurations other than this may affect that compliance.

cable type	length (meters)	core	shield
Power	1.8	X	X
USB	5.0	X	✓
LAN	15.0	X	X

● Emergency first aid

Take care with toner powder:



If swallowed, give small amounts of cold water and seek medical attention. DO NOT attempt to induce vomiting.

If inhaled, move the person to an open area for fresh air. Seek medical attention.

If it gets into the eyes, flush with large amounts of water for at least 15 minutes keeping eyelids open. Seek medical attention.

Spillages should be treated with cold water and soap to help reduce risk of staining skin or clothing.

● Environmental information




● For Your Safety

















Read the User's Manual for your safety before using the product.





Cautions related to safety

 **WARNING** A warning provides additional information which, if ignored, may result in a risk of personal injury.

 **CAUTION** A caution provides additional information which, if ignored, may result in equipment malfunction or damage.

General cautions

 WARNING		
 Do not touch the safety switch inside the machine. Doing so may cause electric shock when high voltage occurs. In addition, gears can rotate, which may result in personal injury.	 Do not use an inflammable spray near the machine. Doing so may cause fire since there is an area heating up within the machine.	 Pull the power plug out of the socket and contact with a customer's service center when the cover is unusually hot, smoking, giving off questionable odour, or making a strange noise. Failure to do so may cause fire.
 Pull the power plug out of the socket and contact with a customer's service center when a liquid such as water enters in the internal parts of the machine. Failure to do so may cause fire.	 Pull the power plug out of the socket and remove foreign materials such as clips when they fall inside the machine. Failure to do so may cause electric shock and/or fire leading to personal injuries.	 Do not operate and/or disassemble the machine other than that directed in User's Manual. Doing so may cause electric shock and/or fire leading to personal injuries.
 Unplug the power cord and contact with a customer's service center if the machine is dropped or the cover is damaged. Failure to do so may cause electric shock and/or fire leading to personal injuries.	 Unplug the power cord periodically to clean plug blades and root section between the blades. If the power plug remains inserted for a long time, the root section will get dusty, and the plug may be shorted out, which may cause fire.	 Do not clean spilled toner with a vacuum cleaner. If cleaning spilled toner with a vacuum cleaner, it may catch fire due to the sparks from electric contact. Toner spilled on the floor should be wiped off with wet cloth.
 Do not insert materials in a vent hole. Doing so may cause electric shock and/or fire leading to personal injuries.	 Do not put a cup with liquids such as water on the machine. Doing so may cause electric shock and/or fire leading to personal injuries.	 Do not touch the fuser and other parts when opening the cover of the machine. Doing so may cause burns.
 Do not throw toner cartridges and image drum cartridges into fire. Doing so may cause dust explosion leading to burns.	 Do not use a power cord, a cable, or a ground wire other than those that are indicated in User's Manual. Doing so may cause fire.	 The operation of using UPS (uninterruptible power source) or inverters is not guaranteed. Do not use uninterruptible power source or inverters. Doing so may cause fire.

 CAUTION	
 Do not come closer to the paper's exit area when the power is turned on, while printing. Doing so may result in personal injury.	 Do not touch a damaged liquid-crystal display. If liquid (liquid crystal) leaked from the liquid-crystal display gets into the eyes or mouth, flush with large amount of water. Follow the direction from a doctor if necessary.
 Do not disassemble or forcibly open the image drum or toner cartridge. It may scatter the toner, which people may inhale or may stain clothes and hand.	

Contents

Manual Configuration.....	2
Reading the Manual.....	3
Symbols	3
Keys, Buttons, and Symbols.....	3
Illustrations	4
Screens.....	4
Inscriptions.....	5
About the Product Warranty	6
Emergency first aid	7
Environmental information	7
For Your Safety	8
Cautions related to safety.....	8
General cautions	8
Viable with Pro9541WT	13
1. Before use	17
Checking the product.....	17
Checking the Package Contents	17
Parts Nomenclature and Functions.....	18
Main Unit.....	18
Front/Right Side.....	18
Back/Left Side	19
Printer Interior	20
Front Interior.....	20
Right Side Interior.....	21
Left Side Interior.....	22
Interface.....	23
Control Panel	24
Main Control Panel Features.....	25
Control Panel Appearance.....	25
Adjusting the Control Panel Brightness.....	28
Using the 10-Key Pad	29
Function Numbers Table	30
Using the Device to its Fullest Extent	31
Options	31
Color management server	32

2. Setting Up 33

- Installing the Device..... 33
 - Installation Conditions 33
 - Installation Procedure..... 36
 - Opening the Package and Installation 36
 - Opening the Package and Moving the Device..... 36
 - Mounting Consumables 39
 - Setting Paper..... 43
 - Mounting the Expansion Tray Unit (Optional) 44
 - Mounting the Built-in HDD (Optional)..... 48
- Turning ON/OFF the Power 50
 - Power Supply Precautions 50
 - Power Supply Conditions 50
 - Connecting Power Cables 51
 - Turning ON the Power Supply 51
 - Turning OFF the Power Supply 52
- Test Printing Using the Printer Only 53
 - Printer Information 54
- Connecting the PC..... 55
 - Flow for Installing Drivers on a PC..... 55
 - Operating Environment..... 56
 - Printer Driver Types 56
 - Connecting Cables 57
 - Connecting Using LAN Cables..... 57
 - Connecting Using USB Cables 58
 - Installer Printer Drivers (Windows)..... 59
 - Network Connections 59
 - USB Connections..... 64
 - Installing Printer Drivers (Macintosh)..... 66
 - Network Connections 66
 - USB Connections..... 71
 - Adding Options..... 72

3. Printing	75
Paper	75
Usable Paper Types	75
Paper Feed and Output Methods Selectable for Each Paper type	78
☐(Landscape) and ☐(Portrait) Icons	79
Printing from Trays.....	80
Setting Paper in Trays 1 to 5	80
Printing from Trays.....	81
Printing from the Multi-Purpose Tray	84
Setting Paper in the Multi-Purpose Tray.....	84
Setting Paper Using the Control Panel	84
Setting Paper.....	85
Printing from the Multi-Purpose Tray	87
Outputting Paper	90
Using the Face-Down Stacker (Print Face Is Down).....	90
Using the Face-Up Stacker (Print Face Is Up).....	91
4. Basic Device Operations	93
Setting Power Save Mode	93
Setting Power Save Mode.....	93
Setting the time before the printer enters power save mode.....	94
Setting sleep mode	95
Setting the time before the printer enters sleep mode.....	96
Restrictions in sleep mode.....	98
Printer driver utility restrictions.....	98
Network function restrictions	99
Setup to Turn OFF the Power Supply Automatically	100
Setting auto power OFF mode	100
Setting the time before the printer enters Auto Power Off mode.....	101
Checking print quantities	102
Checking Consumables, and Remaining Maintenance Unit Quantities and Service Life	103
Canceling Printing	104
Adding Printers Using LPD (TCP/IP) Protocols.....	105
Preparations.....	105
Procedure for Adding Printers	105

Appendix 107

- Table of control panel menu items 107
- Basic Windows Functions 114
 - Displaying the Properties Window114
 - Displaying the print setup window114
- Specifications 115
 - Main specifications115
 - Network interface specifications117
 - USB interface specifications.....118
 - Dimensions119

Index 121

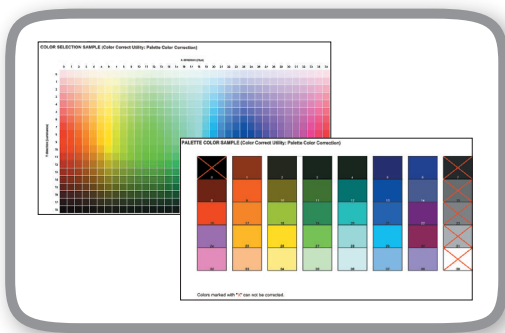
Contact Us 125

● Viable with Pro9541WT



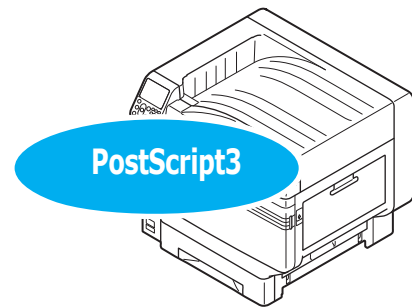
Abundant color matching functions can be used

The device has functions to compensate color misalignment and density using the control panel, and can adjust the color balance. Further, colors can be adjusted, the print results simulated, and the colors separated and printed using the color management system from the PC.



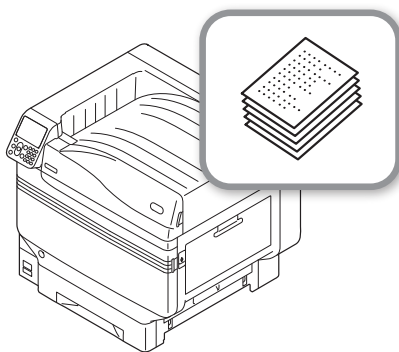
It is possible to print from various applications

The built-in Adobe PostScript3 enable printing from a wide range of applications.



Various printings are possible using the convenient functions

Various printings are possible using the device convenient functions when printing from a PC.

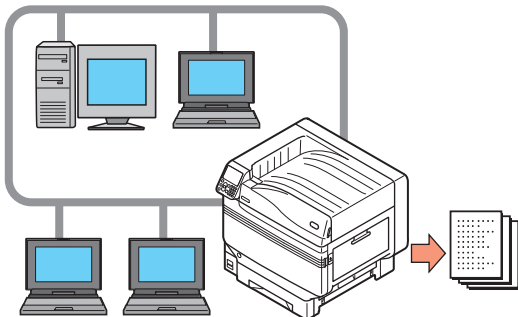




Usable as a network printer

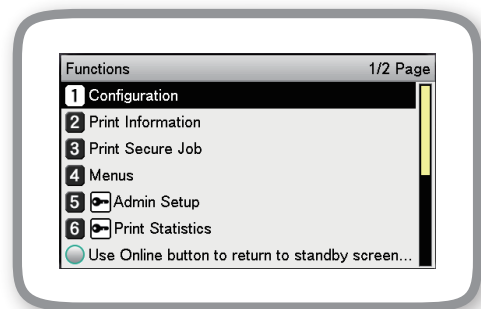
High-quality, high-speed printing is possible from various applications. (With A4, 50 sheets a minute using color/monochrome printing.) As it is possible to connect to a network and print from multiple PCs, office space saving and cost reductions are achieved.

(This manual [page 55](#))



Functions can be set using the control panel

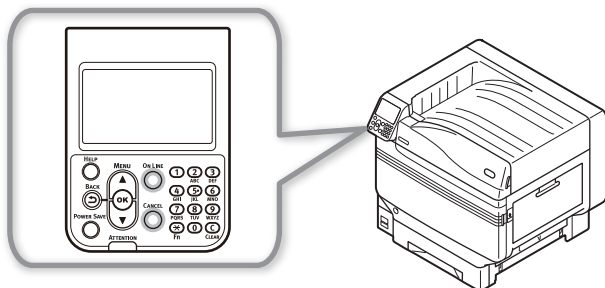
Various device functions can be set such as changing paper size and network setup from the control panel. Further, administrator passwords can also be set using the control panel.



The printer status can be checked, and error messages and help displayed, on the control panel

Either "Remaining toner quantity display" or "Tray information display" can be displayed in the control panel standby screen. If an error occurs in the device, you can work while checking the control panel messages.

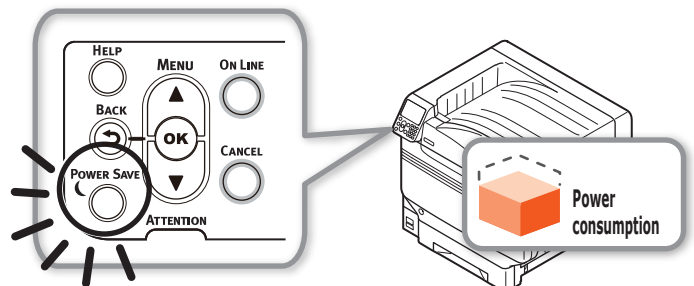
(This manual [page 24](#))



Power consumption is reduced when the printer is not in use (Power save mode)

If the device is not used for a fixed period of time, power save mode starts automatically (power save mode/sleep mode) to enable power consumption to be reduced. Press the [POWER SAVE] button to enter power save mode manually. When in sleep save mode, the [POWER SAVE] button is lit green.

(This manual [page 93](#))

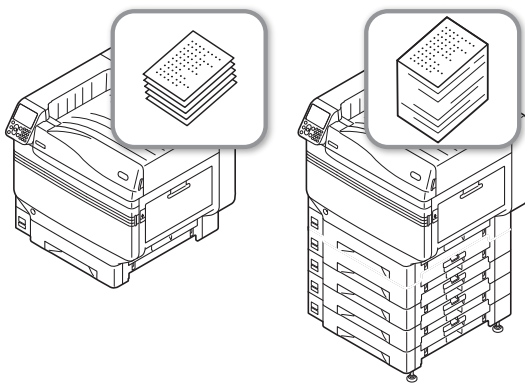




Increasing the quantity of paper that can be fed

Mounting the optional expansion tray unit enables the continuous printing of large quantities and the printing of different paper sizes to be implemented smoothly.

(This manual [page 31](#))

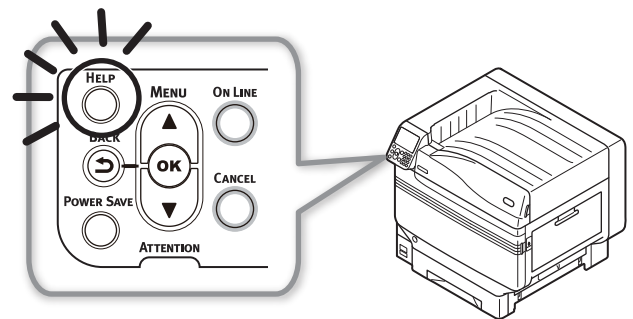


Use the help function to check if you do not understand something or if trouble occurs when using the device

Press the [HELP] button on the control panel to display messages for resolutions if trouble occurs, and how to troubleshoot. (Animations will be displayed depending on the error details.)

(This manual [page 27](#))

(Troubleshooting/Daily Maintenance Manual)



■ **Memo**

1. Before use

This chapter explains the package contents of the product and the nomenclature and functions of the parts.

! Note

- How to set the spot color kit, see the "Separate Volume Spot Color Guide".

● Checking the product

Checking the Package Contents

Open the packing case and check the contents of the box.

! CAUTION	There is a risk of injury.	!
<ul style="list-style-type: none"> • The printer weighs approx. 111kg*, so make sure to use at least 4 people minimum when lifting. 		

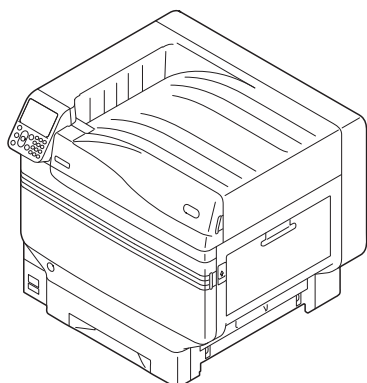
*: Includes consumables such as the image drum and toner cartridge, etc.

Reference

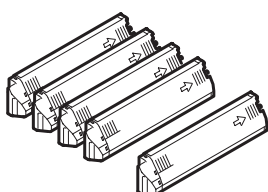
- See "Opening the Package and Installation" (P.36) for how to open the package.
- See "Mounting the Expansion Tray Unit (Optional)" (P.44) for the expansion tray.

Memo

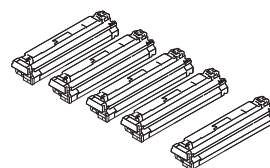
- A maximum of four additional tray units (trays 2 to 5) can be mounted.
- Printer Unit



- Toner cartridge (One each of black, yellow, magenta, cyan, and white)



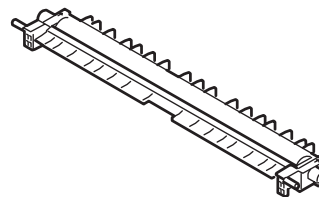
- Image drum (One each of black, yellow, magenta, cyan, and white)



! Note

- The image drum is set inside the device at the factory.

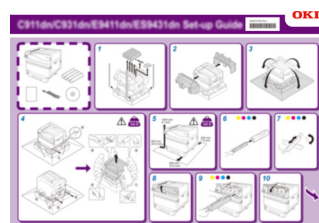
- Transfer Roller Unit



- Software DVD-ROM



- Set-up Guide



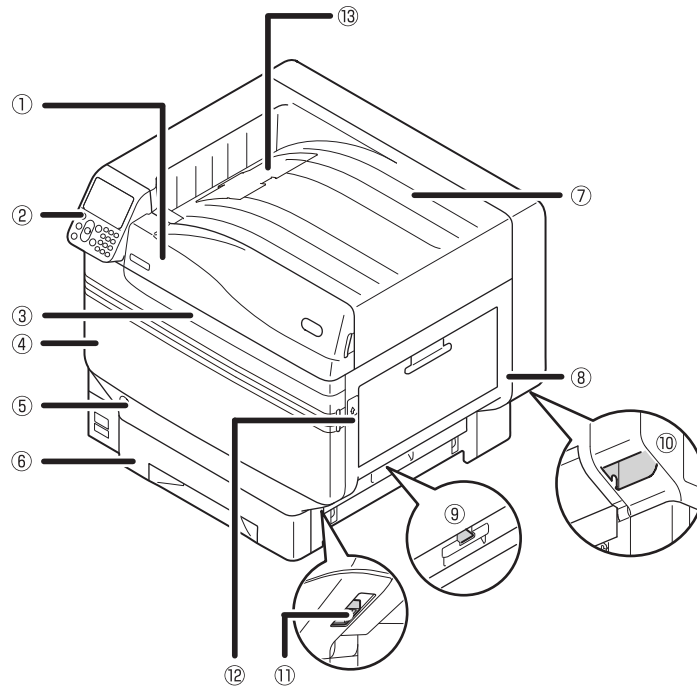
! Note

- LAN cables, USB cables, and hubs are not included with the printer. Prepare them separately.
- The packing case and buffer material are required when shipping the device. Do not discard them, but store them safely.

● Parts Nomenclature and Functions

Main Unit

Front/Right Side



① Toner Cover

Open this to replace the toner cartridge.

② Control Panel

Displays the device status and menus, and sets the functions.

["Control Panel" \(P.24\)](#)

③ Front Lamp

Flashes when receiving data and while in power save.

④ Front Cover

Open this to remove the image drum, waste toner box, and belt unit.

⑤ Power Switch

- You can turn ON and OFF the power supply when the main power switch is ON.
- Cancel the OFF mode.

⑥ Tray 1/Paper Cassette

This is the paper tray mounted as standard. Plenty of paper can be set at one time. Set the print surface face-down.

⑦ Face Down Stacker

The printed sheets are placed printed-side down and discharged.

⑧ Right Side Cover

Open this to replace the multi-purpose tray feed roller, and to clear paper jams.

⑨ Tray Side Cover

Open to clear paper jams from trays 1 to 5.

⑩ Carrying Handles

Hold these at the same time as the carrying lever when carrying the device.

⑪ Carrying Lever

When carrying the device, pull out this lever, and hold the carrying handles at the same time.

⑫ Opener

Open the right side cover.

⑬ Spot Color Duct

1

Before use

2

Setting Up

3

Printing

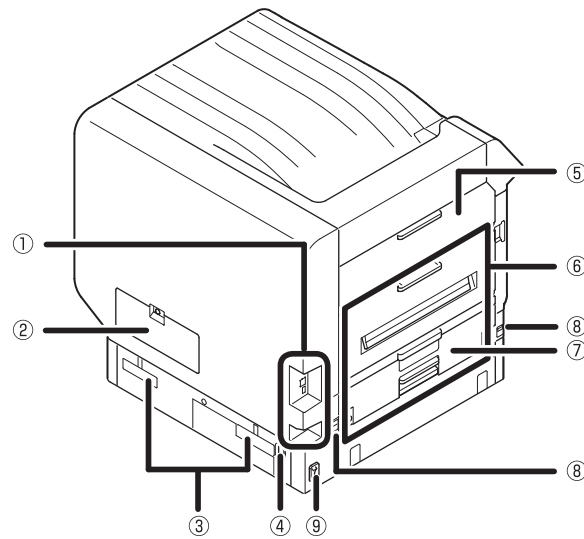
4

Basic Device Operations

Appendix

Index

Back/Left Side



① Interface

There are a LAN (network) interface connector and a USB interface connector. See ["Interface" \(P.23\)](#) for the interfaces.

② Access Cover

Open this when mounting the optional built-in HDD.

③ Carrying Handles

Hold these at the same time as the carrying lever when carrying the device.

④ Power Connector

Connect the enclosed power cable here.

⑤ Left Side Cover

Open this to clear paper jams.

⑥ Exit Unit

Open this when replacing the fuser unit or transfer roller unit, or to clear paper jams.

⑦ Duplex Unit

This device does not support duplex printing.

⑧ Carrying Lever

When carrying the device, pull out this lever, and hold the carrying handles at the same time.

⑨ Main Power Switch

Turns ON and OFF the device main power supply.

1

Before use

2

Setting up

3

Printing

4

Basic Device Operations

Appendix

Index

Printer Interior

1

Front Interior

Before use

2

Setting Up

3

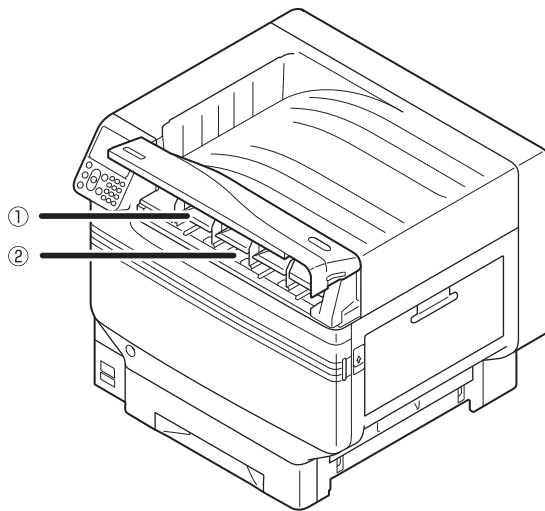
Printing

4

Basic Device Operations

Appendix

Index

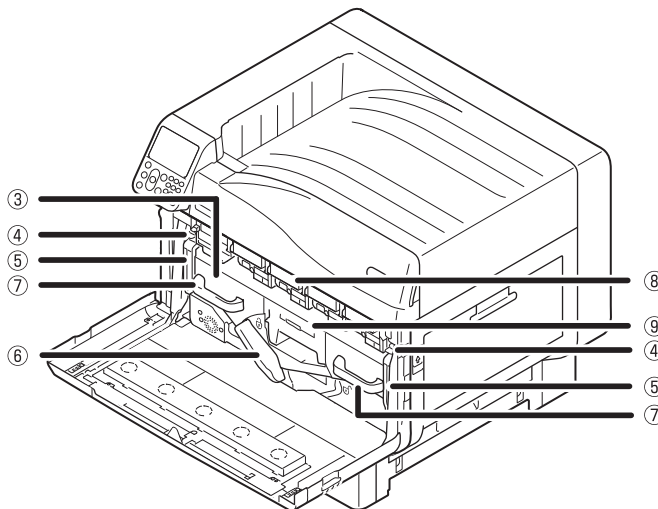


① Toner Cartridge

- The remaining toner quantity is normally displayed when "Display remaining toner quantity" has been set using the control panel standby screen.
- The toner cartridge is a consumable.

② Slot

Set the toner cartridge here.
["Mounting Consumables" \(P.39\)](#)



③ Belt Unit

This device copies the toner to the paper. The belt unit is a replaceable maintenance part.

④ Lock Lever Knob

Secures the belt unit.

⑤ Belt Unit Lock Lever

Secures the belt unit.

⑥ Belt Unit Lever

Secures the belt unit.

⑦ Handle

Hold this handle when removing the belt unit.

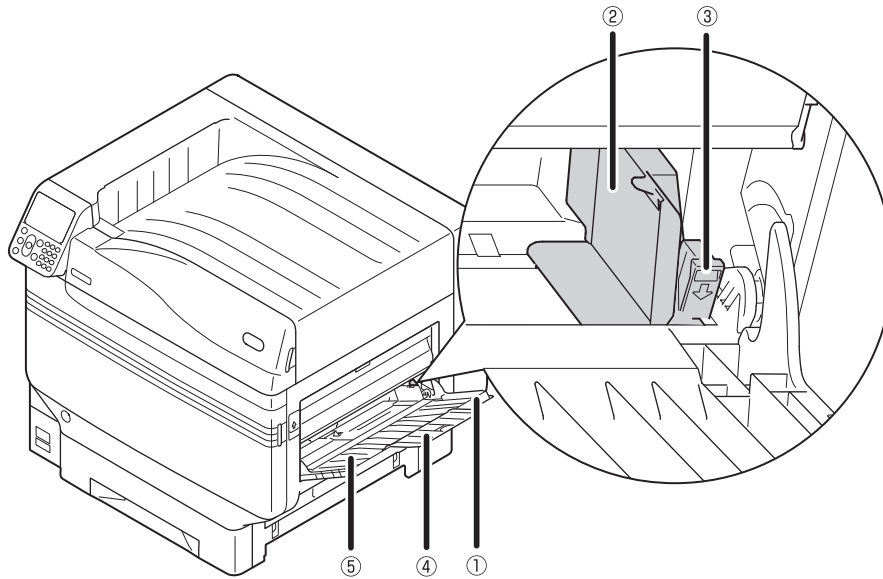
⑧ Image Drum/Slot

- The image drum is set in the slot.
- The image drum is set inside the printer main unit before shipment from the factory.
- The image drum is a consumable.

⑨ Waste Toner Box

This box holds the waste toner. When the waste toner box is full, a message is displayed on the control panel. The waste toner box is a replaceable maintenance part.

Right Side Interior



① Multi-purpose Tray/MP Tray

You can print on various papers. Further, use when printing to the topside of the paper that has been set. Set the paper size using the control panel when using as a regular tray.

② Paper Guide

Stabilizes the paper by adjusting the paper guide to the width of the paper to be printed.

③ Set Lever

Move the paper guide left and right while pulling the lever towards you when adjusting the paper guide to the width of the paper. The paper guide is secured when the set lever is returned to its original position.

④ Auxiliary Supporter

Maintains the paper when paper has been set in the multi-purpose tray.

⑤ Paper Supporter

Sets the paper to be printed in the multi-purpose tray. Sets the print surface face-up.

1

Before use

2

Setting up

3

Printing

4

Basic Device Operations

Appendix

Index

Left Side Interior

1

Before use

2

Setting Up

3

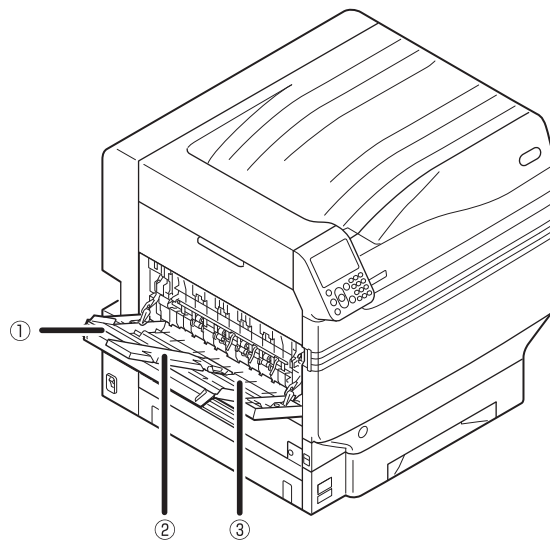
Printing

4

Basic Device Operations

Appendix

Index



① Face Up Stacker

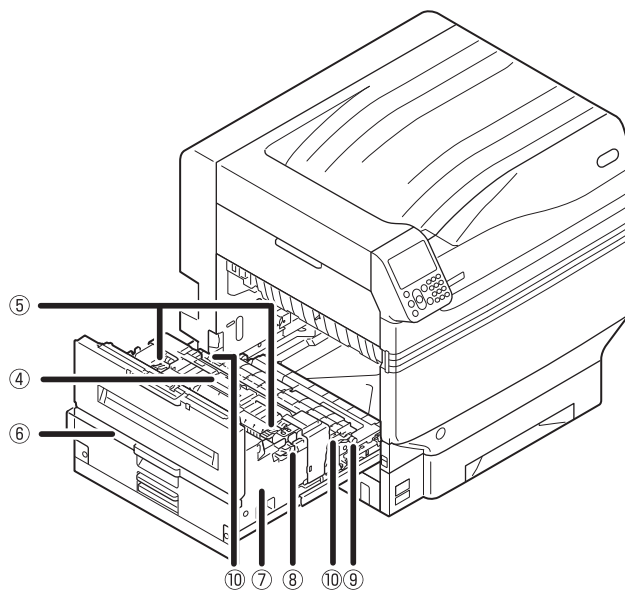
Open the stacker to set and eject the paper face-up.

③ Paper Supporter

Secures the paper ejected to the face-up stacker.

② Auxiliary Supporter

Secures so that the ejected paper does not droop.



④ Fuser Unit

This unit fixes the toner to the paper. The fuser unit is a replaceable maintenance part.

⑧ Fuser Unit's Lock Lever

Secures the fuser unit.

⑤ Fuser Unit's Jam Release Lever

Pull up this lever when a paper jam occurs in the fuser unit.

⑨ Transfer Roller Unit

Transfers the toner to the paper. The transfer roller unit is a replaceable maintenance part.

⑥ Exit Unit Knob

Pull this knob towards you, and pull out the exit unit.

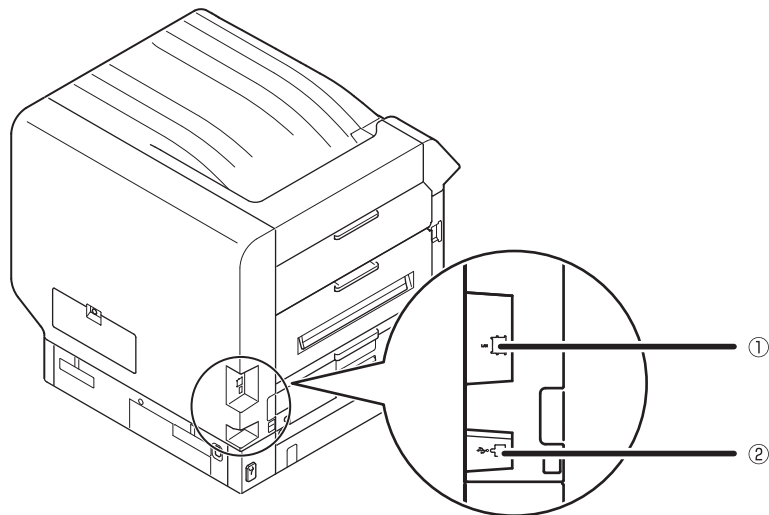
⑩ Transfer Roller Unit's Lock Lever

Secures the transfer roller unit.

⑦ Exit Unit

The fuser unit, transfer roller unit, and duplex print unit are mounted to this unit.

Interface



① **LAN (network) Interface Connector**
Connects the LAN cable.

② **USB Interface Connector**
Connects the USB cable.

1

Before use

2

Setting Up

3

Printing

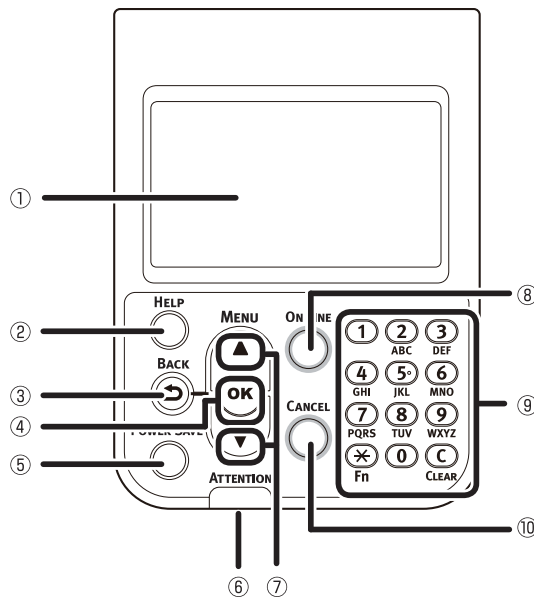
4

Basic Device Operations

Appendix

Index

Control Panel



① Liquid crystal panel

- Displays the device status and menus.
- There are two types of standby screen: "Remaining toner quantity display" and "Tray information display".

② [HELP] button

Displays the help screen.
Lit orange when help messages can be referenced, such as explanations of the error that has occurred or the cancellation procedure.

③ [BACK] button

Returns to the previous page.

④ [OK] button (MENU button)

Determines the selected item and set values.

⑤ [POWER SAVE] button

- Turns ON and OFF power save mode.
- Cancels sleep mode.

⑥ ATTENTION lamp

Displays the device status.
Normally OFF.
Lit or flashes orange if an error occurs.

⑦ Scroll button ▲▼ (MENU button)

- Displays the menu screen to select an item, and then scrolls up (or down) one page.
- Can be used to enter numbers in the numerical input screen.

⑧ [ON LINE] button

- Switches between online and offline.
- Lit green when online, and OFF when offline.

⑨ Ten-key pad (1 to 0, *, C)

- Use to enter numerical values and passwords.
- Press the [*] ([Fn]) key in the standby screen to display the "function number input" screen, and to enter menu items directly.

⑩ [CANCEL] button

Use to cancel a print, or to cancel the settings.

Main Control Panel Features

The control panel can be used to check the device status and implement various device functions.

The toner cartridge can be replaced while viewing the liquid crystal display on the control panel. Further, you can also perform operations while checking the messages displayed on the liquid crystal panel if paper jams or device malfunctions occur.

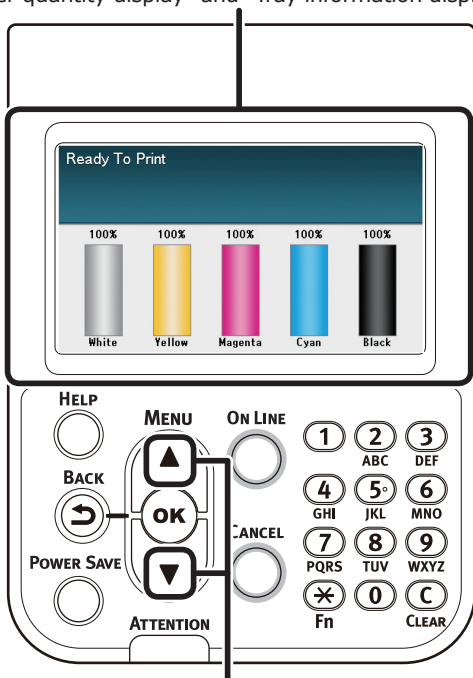
Reference

- See the control panel menus table "Table of control panel menu items" (P.107).

Control Panel Appearance

This section explains the main control panel operations and control panel appearance.

There are two types of standby screen: "Remaining toner quantity display" and "Tray information display".



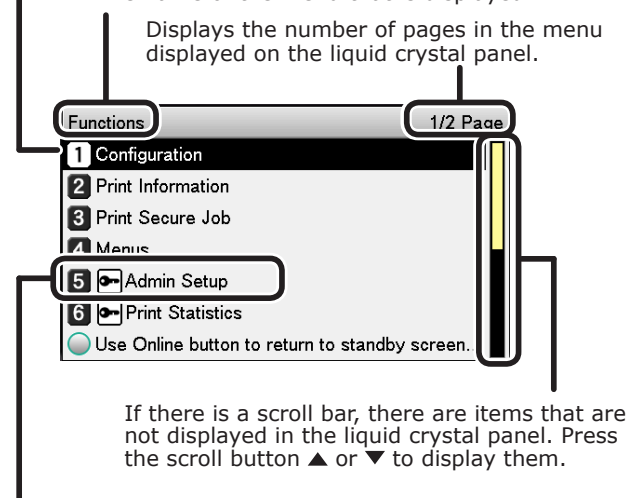
Press the scroll button ▲ or the ▼ to display the "Functions" menu screen as shown on the right.

- If there is a selection menu at the next level or set values for an item, select the item and press the [OK] button to display the next screen.
- If a set value is displayed, press the [OK] button to confirm the value that has been set. (☑ is displayed to the left of the value.)

The color display of the selected item is inverted.

The name of the menu that is displayed.

Displays the number of pages in the menu displayed on the liquid crystal panel.



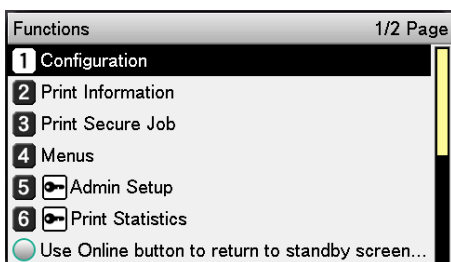
A password must be entered to display the [Admin Setup]. Enter the administrator password (factory setting is "aaaaaa") in the password input screen.

■ Standby Screen

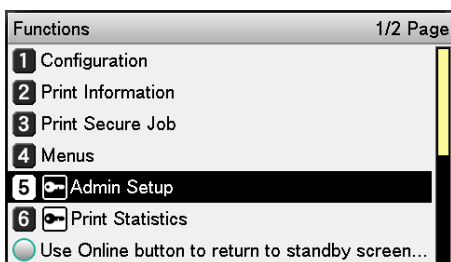
There are two types: "Remaining toner quantity display" and "Tray information display".

Use the following procedure to switch the standby screens.

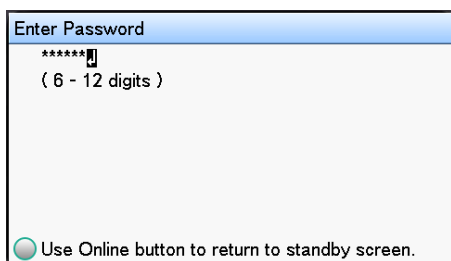
- 1 Press either the scroll button ▲ or ▼ on the control panel to display the "Functions" screen.



- 2 Press the scroll button ▼ several times to select the [Admin Setup], and then press the [OK] button.

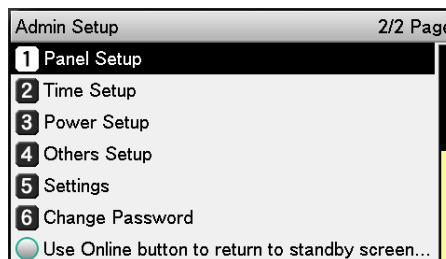


- 3 Use the 10-key pad to enter the administrator password. The default factory-set password is "aaaaaa". Press the [OK] button after entering each individual character.



- 4 Press the [OK] button.

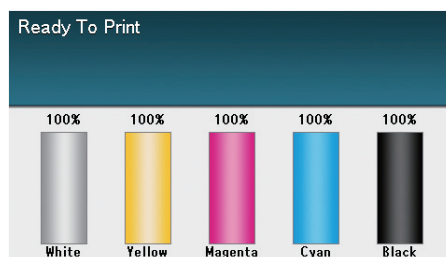
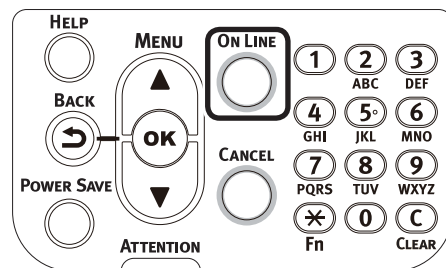
- 5 Press the scroll button ▼ several times to select [Panel Setup], and then press the [OK] button.



- 6 Press the scroll button ▼ several times to select the [Idle Display], and then press the [OK] button.

- 7 To display the "remaining toner quantity" in the standby screen, select [Toner Gauge], and then press the [OK] button. To display the "tray information", select [Paper Size], and then press the [OK] button.

- 8 Press the [ON LINE] button to return to the standby screen.



■ Error Screen

If a printer error occurs, the maintenance lamp will either turn ON or flash, and a message will be displayed in the liquid crystal panel.

Depending on the error, the error countermeasure and animations may be displayed in the liquid crystal panel in addition to the message.

Reference

- "Troubleshooting/Daily Maintenance Manual"

Press the control panel buttons in the error screen to set the device to the following statuses.

[POWER SAVE] button:

The printer will enter power save mode. Press the [POWER SAVE] button when the device is in power save mode to return to the standby screen.

[HELP] button:

Press the [HELP] button when it is lit to display the relevant help message for the error that is currently displayed.

[OK] Button:

In the case of errors for which the error message vanishes when the [OK] button is pressed, the printer will return to the standby screen.

[ON LINE] button:

In the case of errors for which the error message vanishes when the [ON LINE] button is pressed, the printer will return to the standby screen.

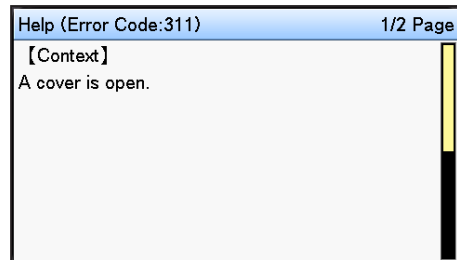
[CANCEL] button:

The following errors can be cancelled.

- MPTray Empty
- Change [MEDIA_SIZE] [MEDIA_TYPE] in [TRAY]
- [TRAY] Empty
- Check Paper in [TRAY]
- Paper Size Error
- Change [MEDIA_SIZE] [MEDIA_TYPE] in MPTray
- The print data size is too large to store it into printer memory
- Toner Empty
- Multiple sheets of paper were fed at once
- Paper cassette is not in [TRAY]
- Feed print job manually

■ Help Screen

Press the [HELP] button to display the help screen. Further, press the [HELP] button when it is lit to display the relevant help message for the error that is currently displayed.



Press the ▲ scroll button displayed in the help screen to scroll to the previous page. Press the ▼ scroll button to scroll to the next page.

To close the help screen, press the [HELP] button again.

Memo

- Press and hold either the ▲ scroll button or ▼ to scroll through the pages at approx. 0.5-second intervals.
- The help screen can also be closed by pressing the [BACK] button, [ON LINE] button, or [CANCEL] button.

Adjusting the Control Panel Brightness

1 Before use

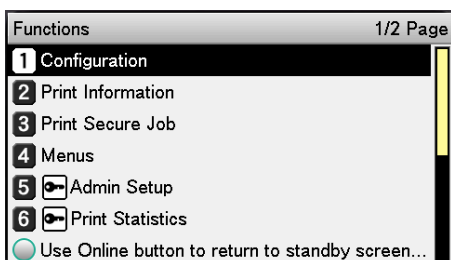
Use the following procedure to adjust the brightness of the liquid crystal panel.

Memo

- The brightness (backlight) of the liquid crystal panel can be set individually for during control panel operations and when in power save mode.

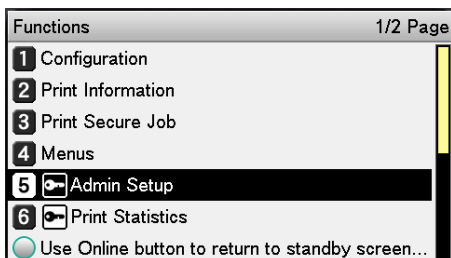
2 Setting Up

1 Press either the scroll button ▲ or ▼ on the control panel to display the "Functions" screen.



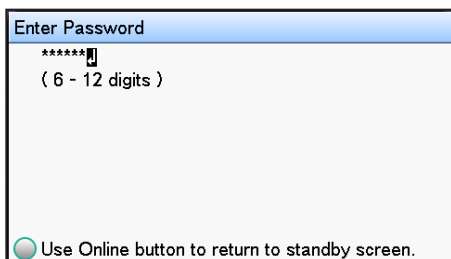
3 Printing

2 Press the scroll button ▼ several times to select the [Admin Setup], and then press the [OK] button.



4 Basic Device Operations

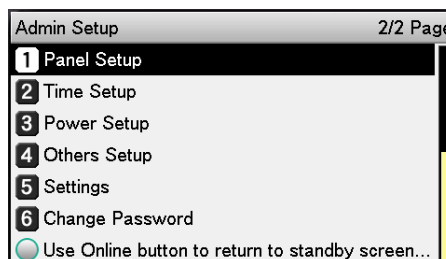
3 Use the 10-key pad to enter the administrator password. The default factory-set password is "aaaaaa". Press the [OK] button after entering each individual character.



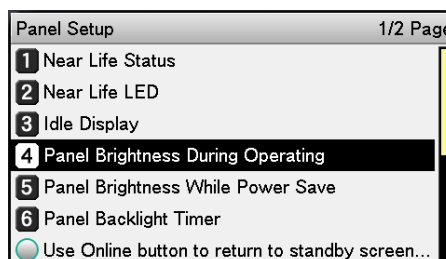
Appendix

Index

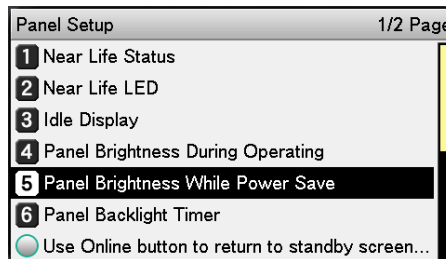
4 Select [Panel Setup], and press the [OK] button.



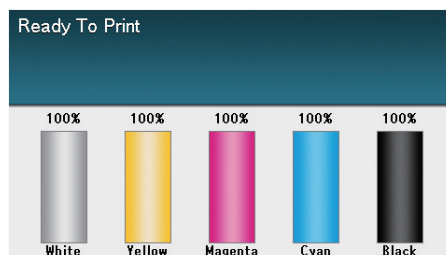
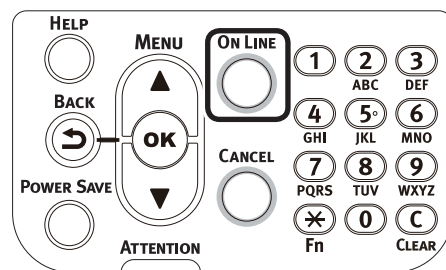
5 When adjusting the brightness for during control panel operations, select [Panel Brightness During Operating], and press the [OK] button.



When adjusting the brightness for when in power save, select [Panel Brightness While Power Save], and press the [OK] button.



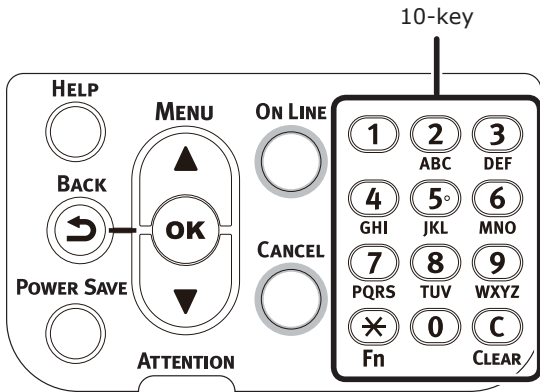
6 Press the [ON LINE] button to return to the standby screen.



Using the 10-Key Pad

Use to input alphanumeric characters.

The characters that can be entered when each key is pressed, and the toggling of the input characters, are described below.



[1] 1

[2] a → b → c → 2 → a

[3] d → e → f → 3 → d

[4] g → h → i → 4 → g

[5] j → k → l → 5 → j

[6] m → n → o → 6 → m

[7] p → q → r → s → 7 → p

[8] t → u → v → 8 → t

[9] w → x → y → z → 9 → w

[0] 0

The following two key functions are as described below.

[Fn] key:

Use to display the function number shortcut. (Enabled when the standby screen is displayed.)

[CLEAR] key:

Conceals each character individually when entering a password.

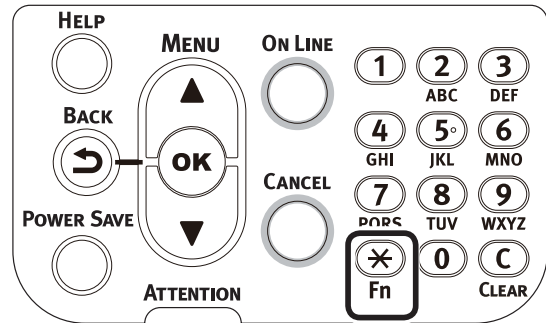


- If entering "abc", press the buttons in the following order: [2]→[OK] button→[2]→[2]→[OK] button→[2]→[2]→[2]→[OK]

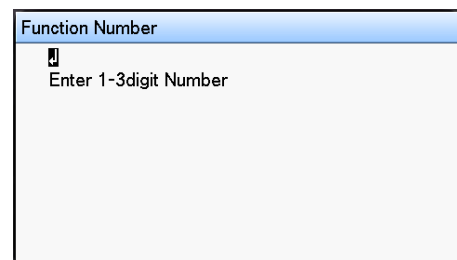
■ Function Number Input Screen

When "Ready To Print" is displayed in the standby screen, press the [Fn] key and then press the desired number to display the relevant menu item.

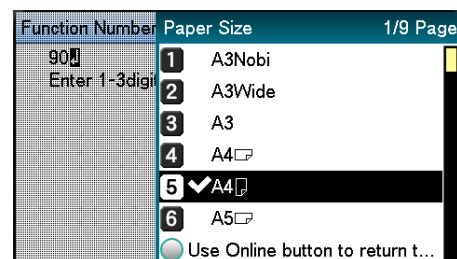
- 1 Press the [Fn] key.



- 2 The function number input screen will be displayed, so use the 10-key pad to enter the (3-digit) menu number to be displayed, and then press the [OK] button.



- 3 The menu will be displayed, so check or change the set values.



Function Numbers Table

Function No.	Function No. Menu Item
1	Print Secure Job (Encrypted Job)
2	Print Secure Job (Stored Job)
10	Paper Size (Tray 1)
11	X Dimension (Tray 1)
12	Y Dimension (Tray 1)
13	Media Type (Tray 1)
14	Media Weight (Tray 1)
15	A3Nobi Paper (Tray 1)
16	Legal14 Paper (Tray 1)
17	A5LEF/A6 Paper (Tray 1)
18	A5SEF Paper (Tray 1)
19	Other Size (Tray 1)
20	Paper Size (Tray 2)
21	X Dimension (Tray 2)
22	Y Dimension (Tray 2)
23	Media Type (Tray 2)
24	Media Weight (Tray 2)
25	A3Nobi Paper (Tray 2)
26	Legal14 Paper (Tray 2)
27	A5LEF/A6 Paper (Tray 2)
28	A5SEF Paper (Tray 2)
29	Other Size (Tray 2)
30	Paper Size (Tray 3)
31	X Dimension (Tray 3)
32	Y Dimension (Tray 3)
33	Media Type (Tray 3)
34	Media Weight (Tray 3)
35	A3Nobi Paper (Tray 3)
36	Legal14 Paper (Tray 3)
37	A5LEF/A6 Paper (Tray 3)
38	A5SEF Paper (Tray 3)
39	Other Size (Tray 3)
40	Paper Size (Tray 4)
41	X Dimension (Tray 4)
42	Y Dimension (Tray 4)
43	Media Type (Tray 4)
44	Media Weight (Tray 4)
45	A3Nobi Paper (Tray 4)
46	Legal14 Paper (Tray 4)
47	A5LEF/A6 Paper (Tray 4)
48	A5SEF Paper (Tray 4)
49	Other Size (Tray 4)
50	Paper Size (Tray 5)
51	X Dimension (Tray 5)
52	Y Dimension (Tray 5)
53	Media Type (Tray 5)

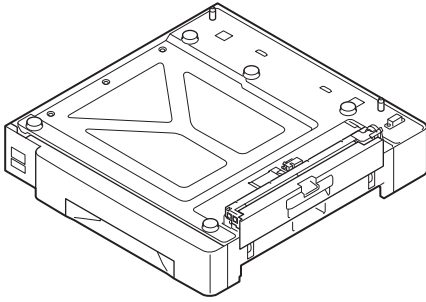
Function No.	Function No. Menu Item
54	Media Weight (Tray 5)
55	A3Nobi Paper (Tray 5)
56	Legal14 Paper (Tray 5)
57	A5LEF/A6 Paper (Tray 5)
58	A5SEF Paper (Tray 5)
59	Other Size (Tray 5)
80	Paper Feed Tray
90	Paper Size (MPTray)
91	X Dimension (MPTray)
92	Y Dimension (MPTray)
93	Media Type (MPTray)
94	Media Weight (MPTray)
95	Tray Usage (MPTray)
100	Print Information (Configuration)
101	Print Information (Network)
102	Print Information (Usage Report)
103	Print Information (Error Log)
200	Power Save Time
201	Sleep Time
202	Auto Power Off Time
210	Error Report
220	Print Position Adjust (MPTray)
221	Print Position Adjust (Tray 1)
222	Print Position Adjust (Tray 2)
223	Print Position Adjust (Tray 3)
224	Print Position Adjust (Tray 4)
225	Print Position Adjust (Tray 5)
230	Paper Black Setting
231	Paper Color Setting
232	Trans. Black Setting
233	Trans. Color Setting
234	SMR Setting
235	BG Setting
236	Drum Cleaning
237	Hex Dump
238	Transfer Roller Cleaning
300	Adjust Density
301	Adjust Registration
302	Print Color Tuning Pattern
310	Cyan Density
311	Magenta Density
312	Yellow Density
313	Black Density
314	White Density

● Using the Device to its Fullest Extent

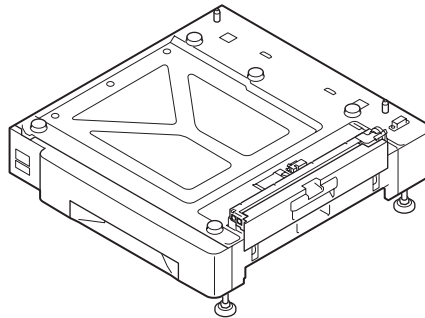
Options

The following options are supplied for the device.

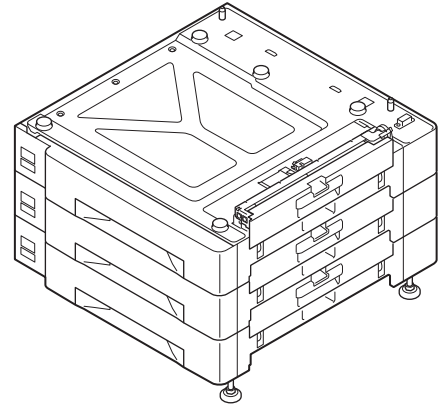
■ Expansion tray units (trays 2/3/4/5)



Expansion tray unit
(Expandable up to 2 levels)
(N36110A)



Expansion tray unit with casters
(N36130A)

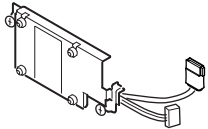


Large-capacity expansion tray unit
(3 trays in one, with casters)
(N36120A)

! Note

- If expanding from level 3 upwards, use a large-capacity expansion tray unit.

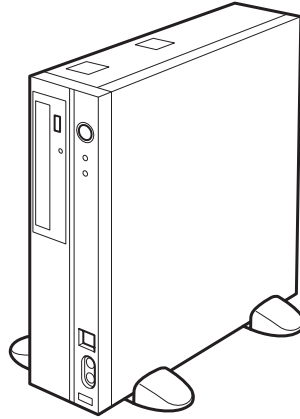
■ Built-in HDD



Color management server

Recommended for users who want greater color management response and advanced Spot Color adjustment.

■ Fiery® XF Server Option



Fiery® XF Server Option

1
Before use

2
Setting Up

3
Printing

4
Basic Device Operations

Appendix

Index

2. Setting Up

This chapter explains the methods for setting up the device, and for connecting the device to a PC and installing the printer drivers.

! Note

- Customers should also see the "Separate Volume Spot Color Guide".

Reference

- See the "Fiery XF Sever Quick Start Guide" for the methods of setting up the color management server.

● Installing the Device

For safe and pleasant use of the device, install in a location that satisfied the "installation environment" and "installation space" described in the "installation conditions". Further, the conditions also describe the installation precautions. Make sure to read them before use.

Installation Conditions

Consider the following environmental conditions before selecting the device installation location.

■ Installation Environment

Use in a location where temperature and humidity are within the following ranges.

Ambient temperature:	10°C to 32°C
Ambient humidity:	20% to 80%RH (relative humidity)
Max. wet-bulb temperature:	25°C

Memo

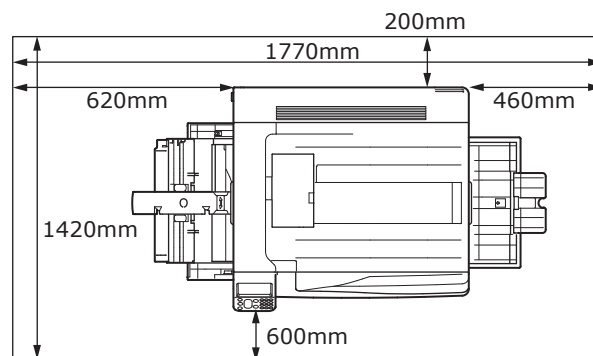
- Make sure there is no condensation.
- If installing in a location where the ambient humidity is 30% or less, use a humidifier or static prevention mat.

■ Installation Space

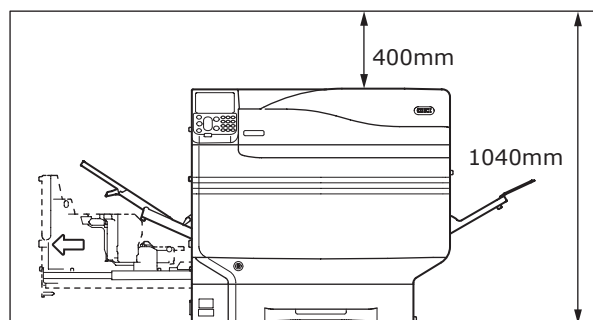
Make sure the area around the device has the following space, and select a location that can support the weight of the device before installing. (The main unit weights is Approx. 111kg*.)

*: Includes consumables such as image drums and toner cartridges, etc.

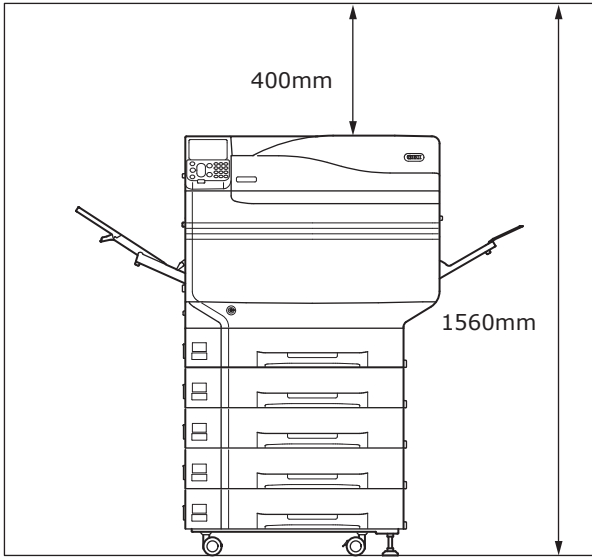
● Plane view



● Front view



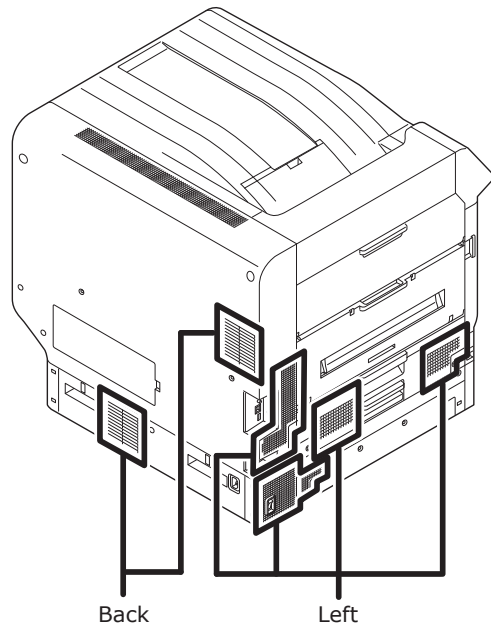
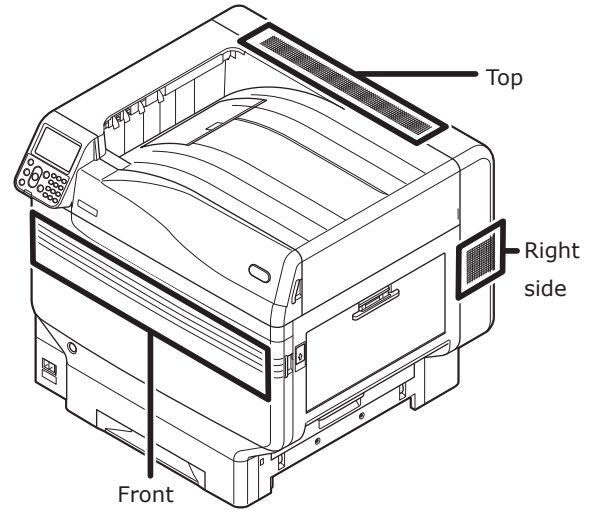
● Front view (with expansion tray mounted)



■ Installation Precautions

⚠ WARNING

- Do not install close to high-temperature locations or naked flames.
- Do not install in locations where chemical reactions occur (e.g., laboratories).
- Do not install close to combustible solutions such as alcohol or thinners, etc.
- Do not install within reach of small children.
- Do not install in an unstable location (e.g., unsteady tables or sloping locations, etc.)
- Do not install in humid or dusty locations, or in locations in direct sunlight.
- Do not install in environments with salt air or corrosive gas.
- Do not install in locations with major vibration.
- Do not install in locations where the device air holes are blocked. Use the following illustrations to check the air hole position.



1

Before use

2

Setting Up

3

Printing

4

Basic Device Operations

Appendix

Index

 **CAUTION**

- Do not install directly on shaggy rugs or carpets.
- Do not install in locations with poor air circulation or ventilation such as sealed rooms, etc.
- Make sure of ventilation if using continuously for long hours in a small room.
- Install away from strong magnetic fields and sources of noise.
- Install away from monitors and TVs.
- When moving the device, hold the carrying lever and carrying handles.
- The main device weight is approx. 111kg*. When lifting or moving the device, make sure to use at least 4 people.
- Make sure of the ventilation if printing large quantities or using the device continuously for long hours.

*: Includes consumables such as image drums and toner cartridges, etc.

1

Before use

2

Setting Up

3

Printing

4

Basic Device Operations

Appendix

Index

Installation Procedure

Work according to the relevant procedures and the customer installation conditions. If not mounting any options, skip the reading of the procedures described as "Optional".

1	Opening the Package and Installation	
2	Mounting Consumables (P.39)	
3	Mounting the Expansion Tray Unit (Optional) (P.44)	(Optional)
4	Mounting the Built-in HDD (Optional) (P.48)	(Optional)
5	Connecting Using LAN Cable (P.57)	
6	Connecting Using USB Cable (P.58)	
7	Installing and Connecting the Color Management Server ("Server Installation Guide")	(Sold separately)
8	Connecting Power Cables (P.51)	
9	Connecting to PC (P.55)	
10	Adding Options (P.72)	(Optional)
11	Printing from Trays (P.81) Printing from the Multi-Purpose Tray (P.87)	

Opening the Package and Installation

This section explains the procedure from opening the package to removing and installing the product.

Opening the Package and Moving the Device

Make sure to install in a sufficiently robust location that can support the weight of the device and its options. Do not install in unstable locations such as on unsteady tables or slanted locations, or in locations with strong vibrations. Doing so risks causing injury due to the device falling or toppling.



- For device installation locations, see "[Installation Conditions](#)" (P.33).

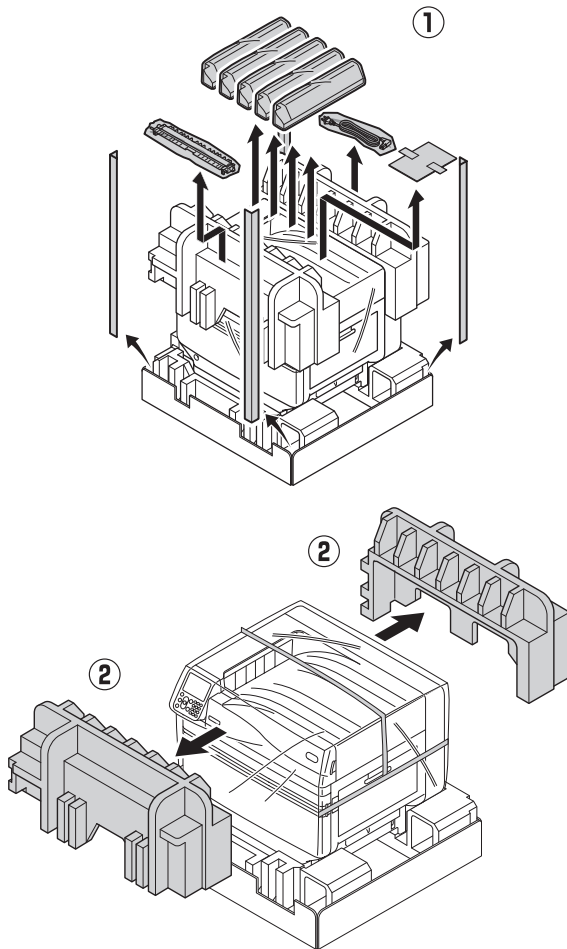
	CAUTION There is a risk of injury.	
<ul style="list-style-type: none"> The weight of the device is approx. 111kg*, so make sure to use at least 4 people to lift. 		

*: Includes consumables such as image drums and toner cartridges, etc.

The main unit weights are as described below.

With the toner cartridge and image drum mounted	With the toner cartridge and image drum removed
Approx. 111kg	Approx. 91kg

- 1 Open the package, and remove the device accessories (①), and enclosed manual, protective equipment, and shock-absorbing material (②).



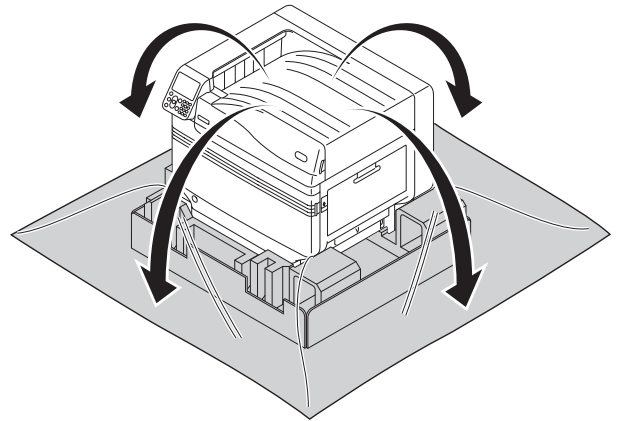
! Note

- The packing and protective equipment are used when shipping the device, so store them carefully.

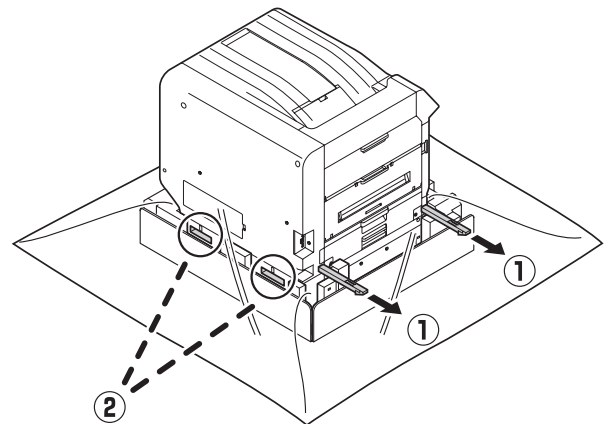
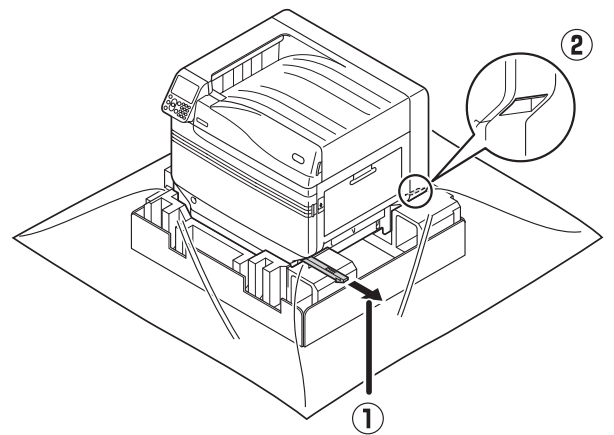
- 2 Remove the cover bag enclosing the main printer unit.

! Note

- Do not remove the tape securing the protective equipment, paper feed trays, and side covers before transporting the device to its installation location. The trays and covers opening during transport may cause unexpected injury.



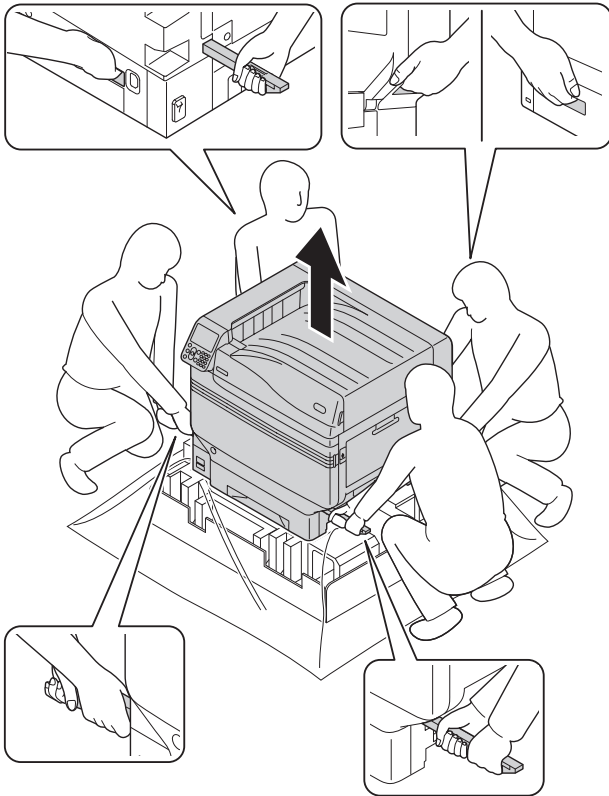
- 3 Remove the three carrying levers at the bottom of the printer (①), and check the three locations of the carrying handles (②).



4 Hold the carrying levers while grasping the carrying handles, and use at least 4 people to lift and carry simultaneously.

! Note

- Make sure not hold anywhere other than the carrying handles, such as the paper feed trays or side covers, etc. Doing so may cause injury due to dropping the device.
- Make sure to use 4 people min. for lifting and carrying so there is no back pain, etc.

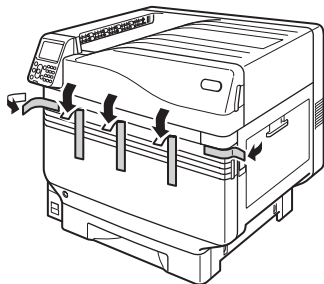


5 Gently lower the device into its installation location.

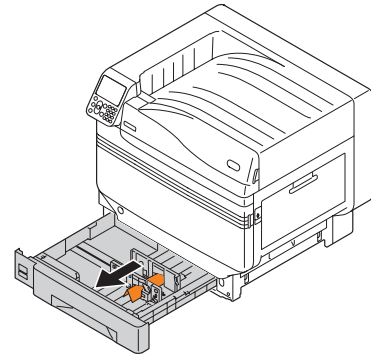
! Note

- Gently and carefully lower the device. There is a risk of crush injuries to hands, etc.

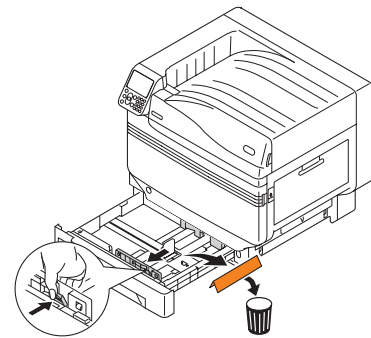
6 Peel off the five protection tapes from the printer main unit.



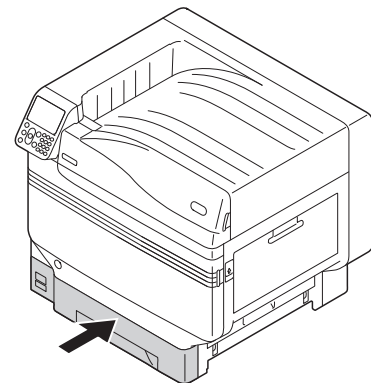
7 Pull out the tray 1 paper cassette.



8 Slide the paper guide and take out the sheet retainer.



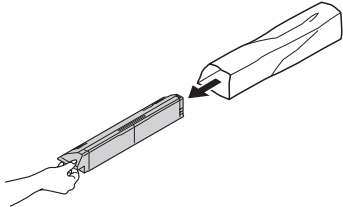
9 Return the paper cassette to the tray.



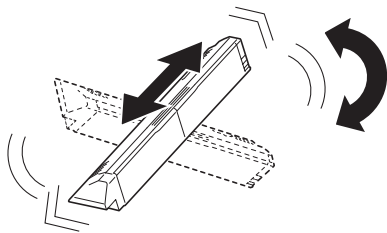
Mounting Consumables

■ Setting the Toner Cartridge

- 1 Remove the toner cartridge from its cover bag.



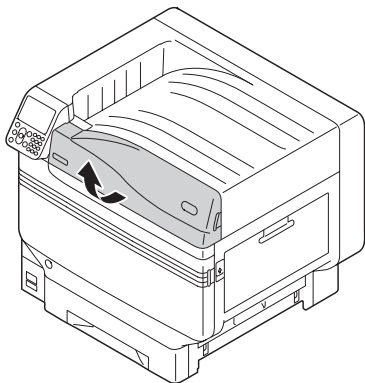
- 2 Shake the toner cartridge both horizontally and vertically.



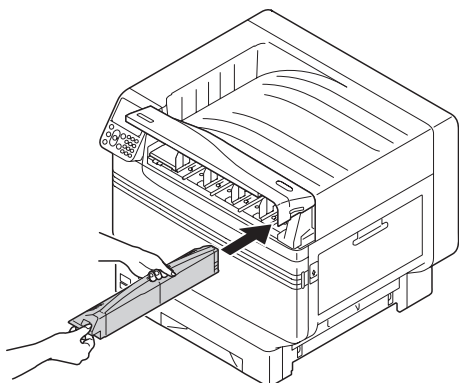
Note

- Do not drop the toner cartridge or tap it on the floor. Doing so may damage the cartridge.

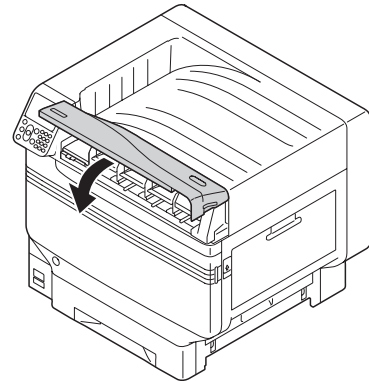
- 3 Open the toner replacement cover.



- 4 Check the position of the slot that has a label stuck on it with the same letters and colors, and firmly push the toner cartridge in as far as it will go.



- 5 Close the toner replacement cover.



■ Remove the image drum stopper

Memo

- The image drum is set inside the device at the factory.

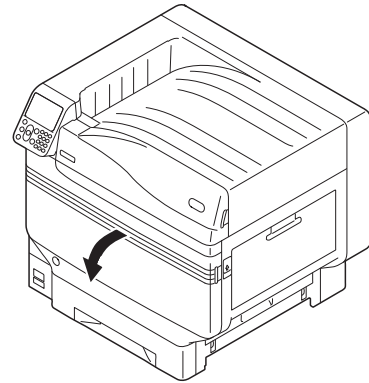
Reference

- For the methods of replacing the image drum, see "Troubleshooting/Daily Maintenance Manual", or the device help.

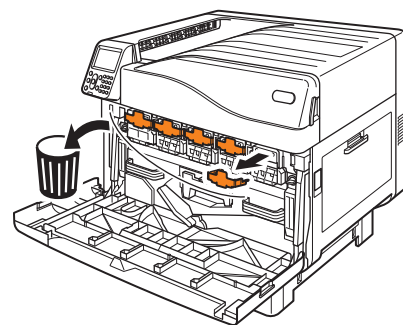
The stopper is mounted to the image drum in the device at the factory.

Make sure to use the following procedure to remove the stopper before use.

- 1 Open the front cover.



- 2 Remove the 5 retainers from the image drum.



1

Before use

2

Setting Up

3

Printing

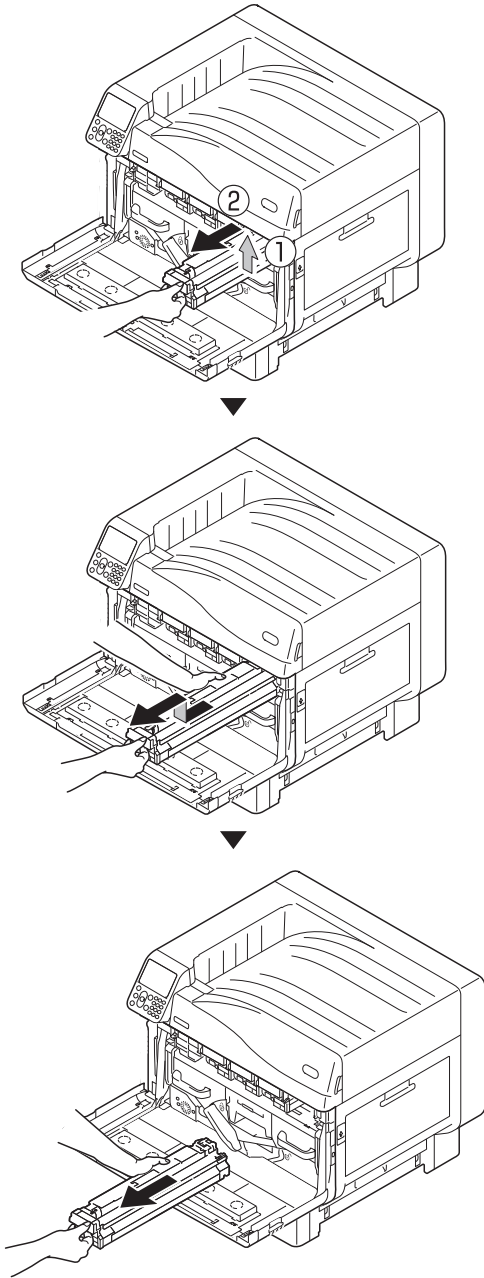
4

Basic Device Operations

Appendix

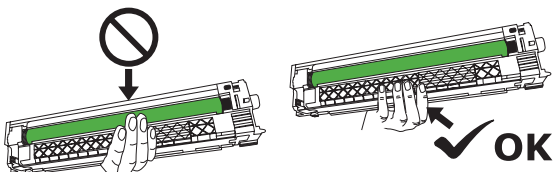
Index

- 3** Gently raise the (blue) lever (①), and remove the image drum (②) while being careful not to touch the green cylinder with your hands.

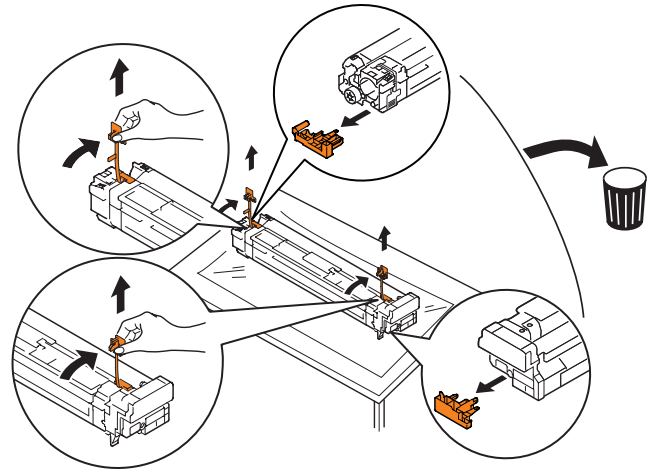


! Note

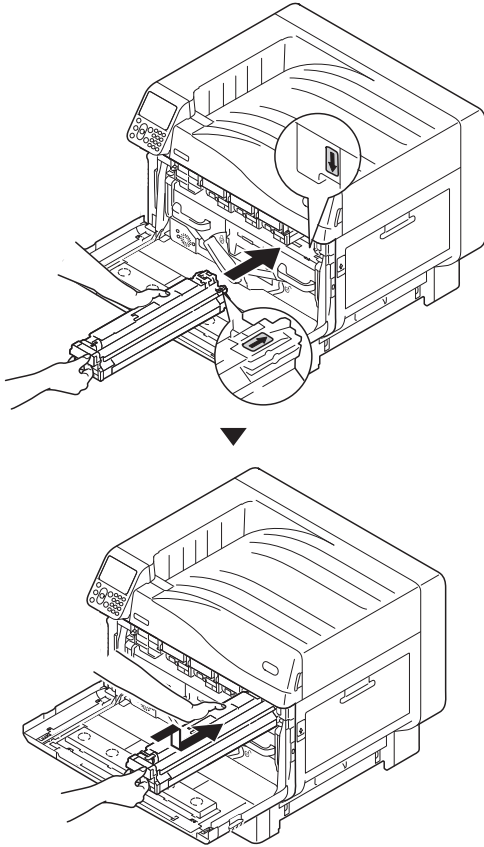
- Do not expose the image drum to direct sunshine or strong light (approx. 1,500 lux or above). Do not leave it for more than 5 minutes even under indoor light.
- Be careful not to touch or scratch the image drum (green cylinder).



- 4** Place the image drum that has been removed onto a flat surface covered with paper, and remove 4 stoppers (orange) in the direction of the arrows.

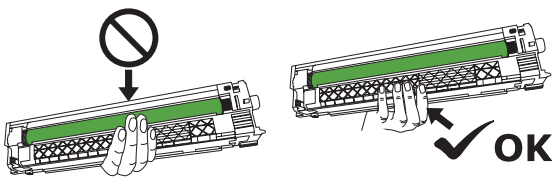


- 5** Align the (red) arrow labels on the image drum with the arrows on the device, and gently insert into the slot and push in firmly all the way while being careful not to touch the green cylinder with your hands.

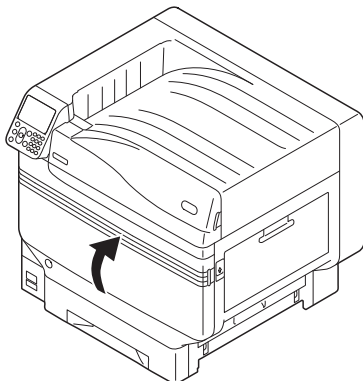


! Note

- Be careful not to touch or scratch the image drum (green cylinder).

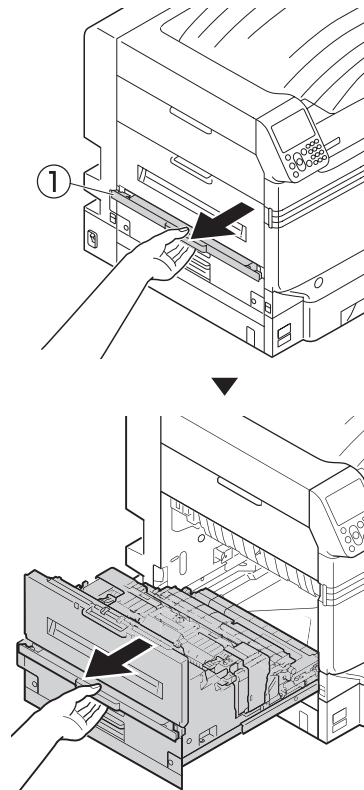


- 6** Close the front cover.

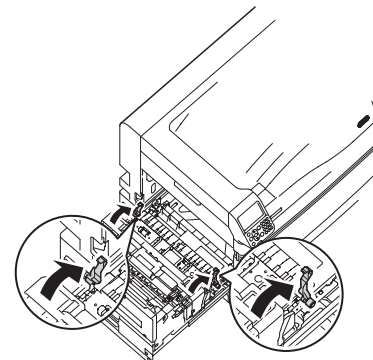


■ Set the transfer roller unit.

- 1** Lift the exit unit opener (①), and pull out the exit unit.



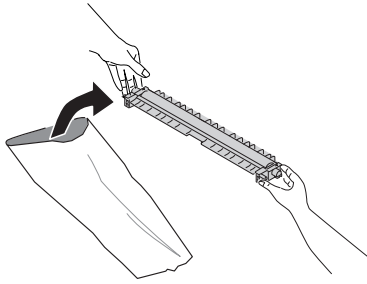
- 2** Raise the lock levers (blue) at both ends of the transfer roller unit installation location of the exit unit.



Reference

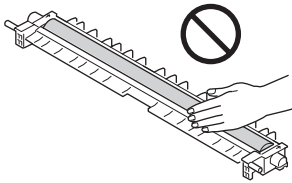
- This printer requires the Spot Color kit to be set. For details, see the "Separate Volume Spot Color Guide".

3 Take out the transfer roller unit from the package.



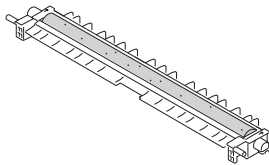
! Note

- Do not touch sponge of the transfer roller unit.

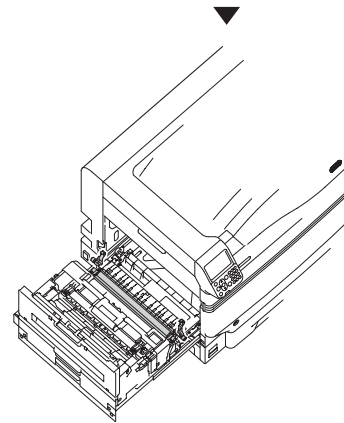
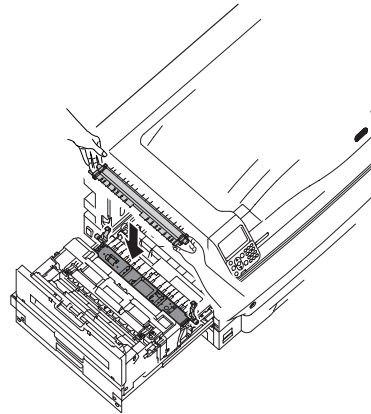


Memo

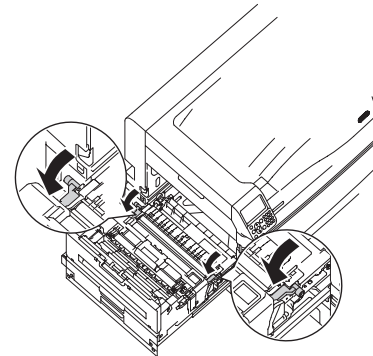
- The toner used for quality inspection might be adhered to the roller surface. The toner on the roller surface will not affect the performance.



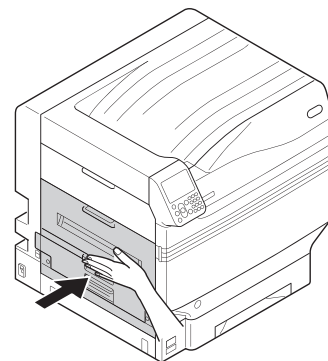
4 Set the transfer roller unit to the exit unit.



5 Push both sides of the lock lever (blue) down.



6 Put the exit unit back into the printer.



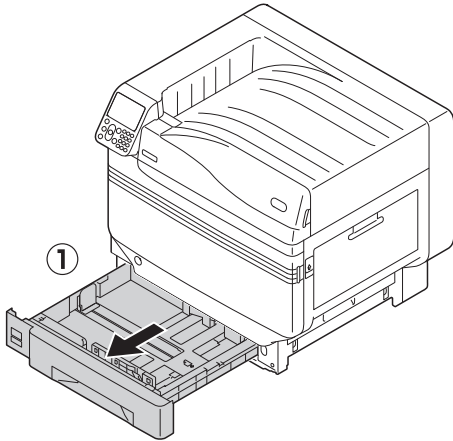
Setting Paper

This section explains how to set the paper in tray 1 or trays 2/3/4/5.

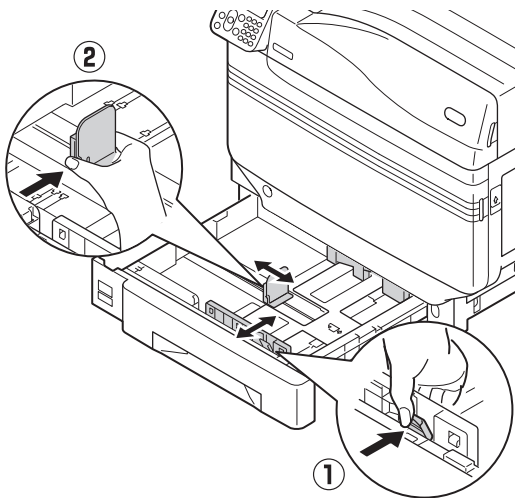
Memo

- In this section, setting paper in tray 1 is used as an example. Set trays 2 to 5 using the same procedure.

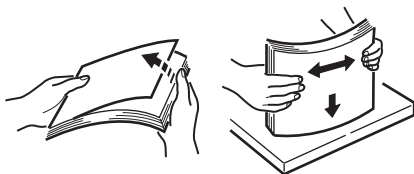
1 Pull out the tray 1 paper cassette (①).



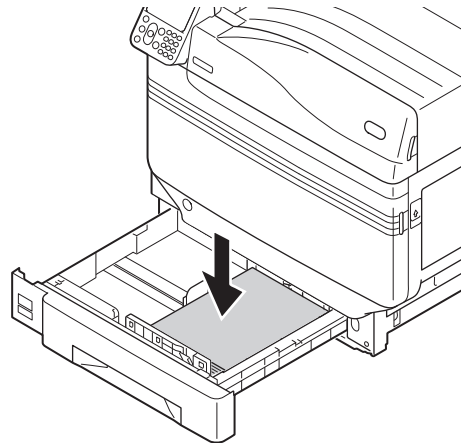
2 Slide the paper guide (①) and paper stopper (②) to align to the size of the paper that has been set.



3 Thoroughly sort the paper. Carefully align the edges of the paper horizontally.

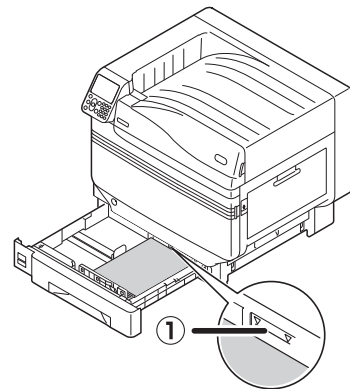


4 Set the paper with the print surface face-down.



! Note

- Do not exceed the "▽" symbol (①) on the paper guide when setting the paper.

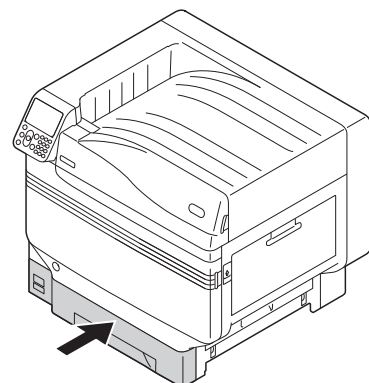


Memo

- Set so there is no gap between the paper and the paper guide or paper stopper.

5 Use the paper guide to secure the paper.

6 Return the paper cassette to the tray.



1

Before use

2

Setting Up

3

Printing

4

Basic Device Operations

Appendix

Index

Mounting the Expansion Tray Unit (Optional)

Mount the (optional) expansion tray unit to increase the quantity and types of paper that can be set in the device.

The expansion tray unit has a large-capacity tray comprising the 1st and 3rd trays.

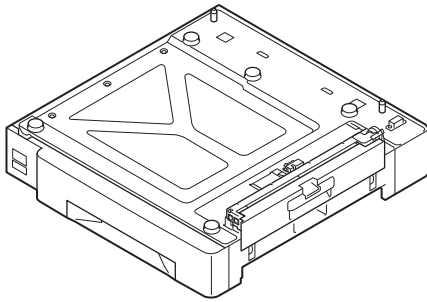
The device can expand to a maximum of 4 trays (5 including the standard tray).

The expansion trays can be mounted to either the main printer unit or the expansion tray unit.

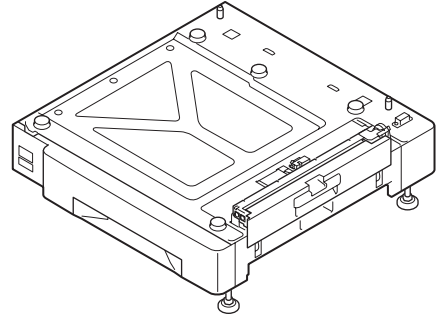
! Note

- If placed on a table, the expansion tray unit can be expanded to 2 trays (3 including the standard tray).
- If placed on a table, the large-capacity expansion tray unit cannot be used.

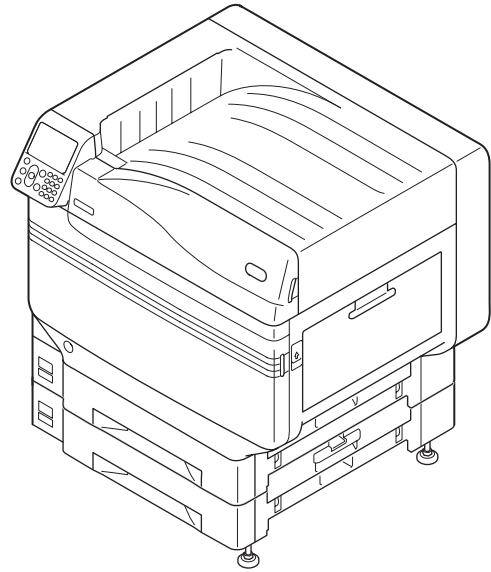
■ Expansion tray unit



■ Expansion tray unit with casters



□ Mounting the expansion tray unit with casters to the main printer unit



1

Before use

2

Setting Up

3

Printing

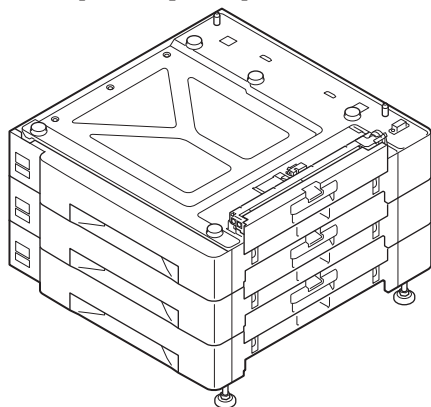
4

Basic Device Operations

Appendix

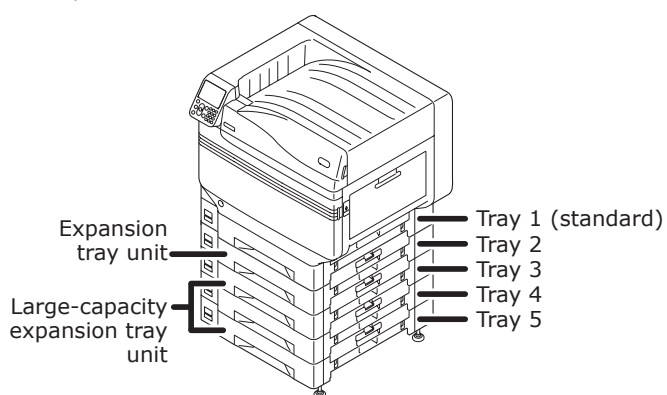
Index

■ Large-capacity expansion tray unit



Memo

- The expanded trays are called tray 2, tray 3, tray 4, and tray 5.



1 Remove the expansion tray unit from the package, and remove the buffering and protective materials.

2 Mount the main printer unit to the expansion tray unit.

Gently lift the main unit using 4 people min., and align the holes on the base (①) to the 2 protrusions (②) on the expansion tray unit.

Gently place on the other while matching the main unit to the position of the vertical lines on the back of the expansion tray unit.

	CAUTION There is a risk of injury.	
<ul style="list-style-type: none"> • The weight of the device is approx. 111kg*, so make sure to use at least 4 people to lift. 		

*: Includes consumables such as image drums and toner cartridges, etc.

Note

- If the device is connected to a power supply, turn OFF the device power, and remove the cables. For how to turn OFF the power supply, see ["Turning OFF the Power Supply" \(P.52\)](#).

1

Before use

2

Setting Up

3

Printing

4

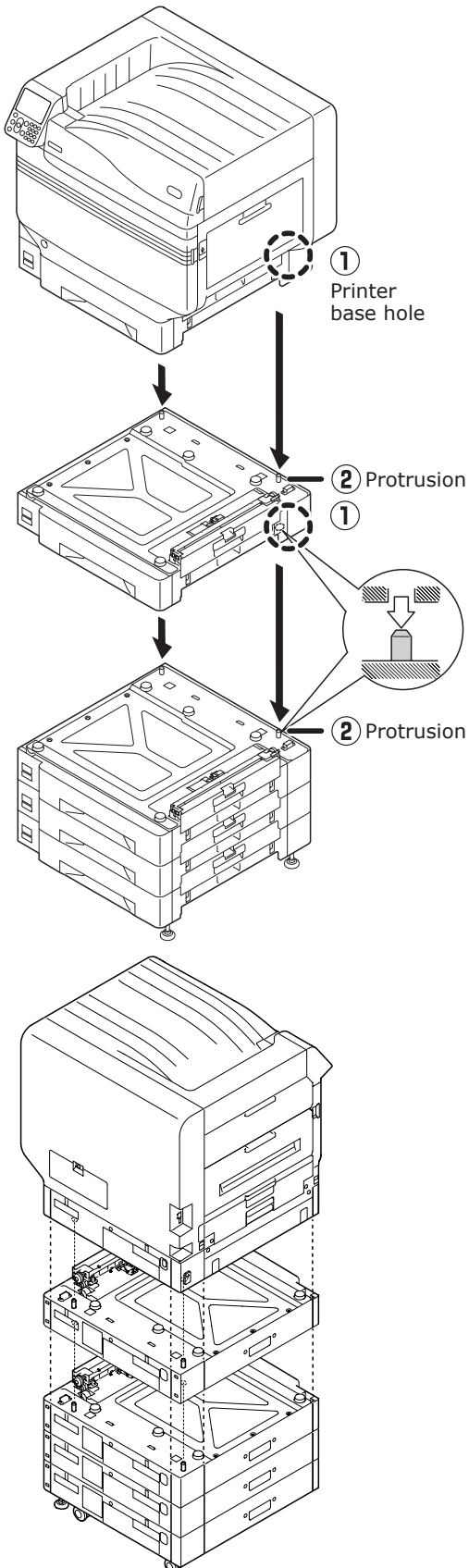
Basic Device Operations

Appendix

Index

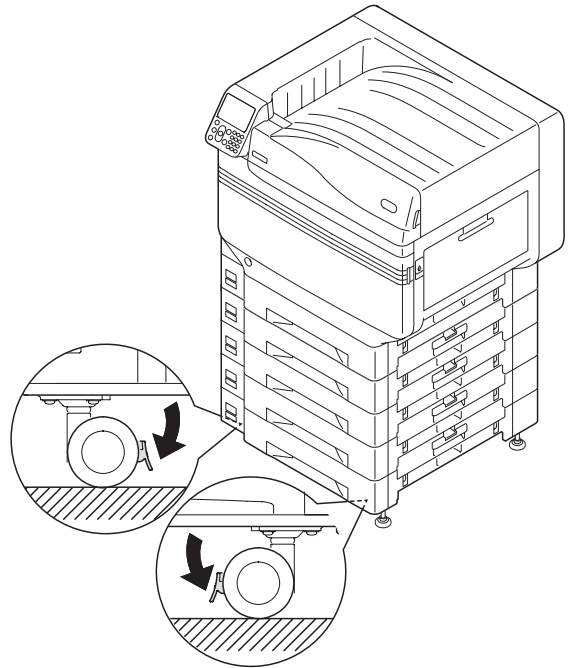
Note

- If using the expansion tray unit and large-capacity expansion tray unit, first mount the expansion tray unit to the large-capacity expansion tray unit, and then mount the main printer unit to the expansion tray unit.

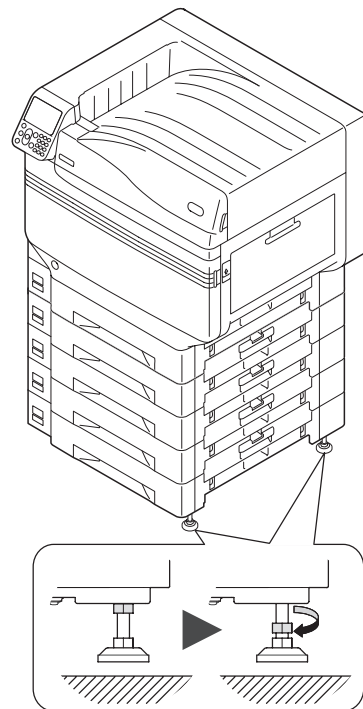


- For the expansion tray unit and large-capacity expansion tray unit with casters, adjust the caster locks (x2) and feet (x2).

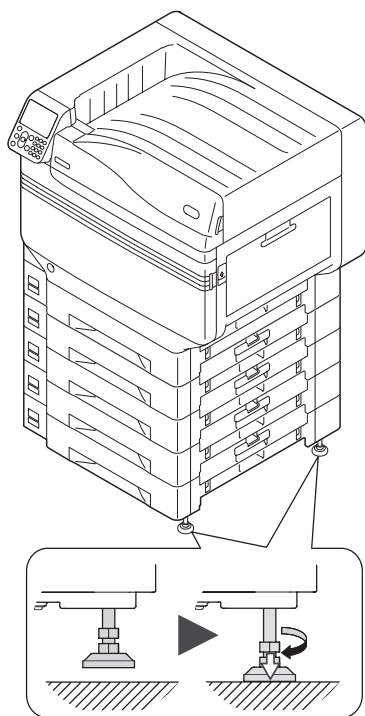
- 3 Push down the lock levers on the casters (x2) at the front of the device to lock the casters.



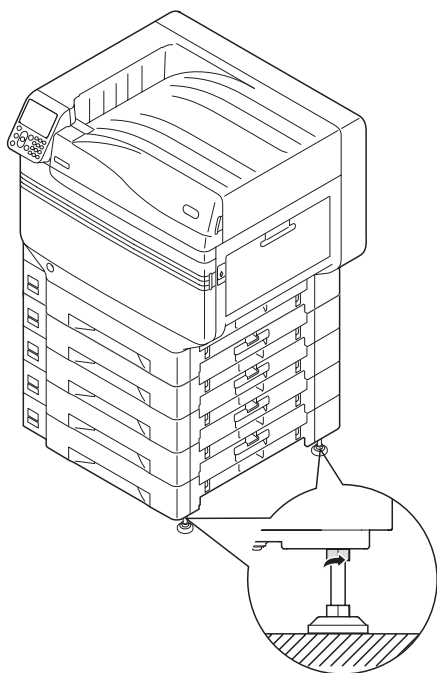
- 4 Loosen the nuts (x2) at the top of the feet on the right of the device.



- 5** Rotate the nuts and bolts at the bottom of each foot to lower the feet.



- 6** When each foot has reached the ground, tighten the nuts at the top to secure the tray unit.



! Note

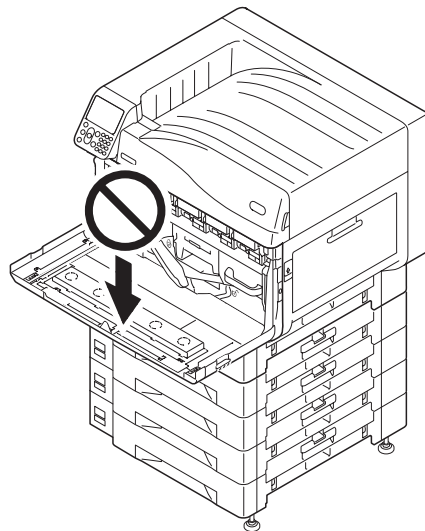
- When moving the device, rotate and thoroughly lift the screws on the feet of the large-capacity expansion tray unit, and move while remote from the ground.

Memo

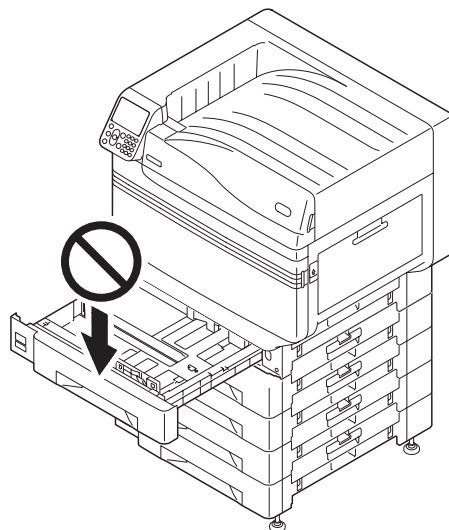
- If mounting the expansion tray unit, it is necessary to implement "Connecting Cables" (P.57) and "Connecting Power Cables" (P.51) before making the settings for the printer drivers to detect the expansion tray unit. See "Adding Options" (P.72).

If moving the printer or replacing consumables or maintenance units, or setting paper in the tray, check the following points to prevent the printer from toppling.

- Do not press the front cover when the printer font cover is open.



- Do not press on the cassette from above when the cassette is pulled out.



1

Before use

2

Setting Up

3

Printing

4

Basic Device Operations

Appendix

Index

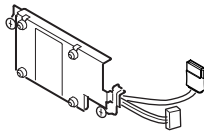
Mounting the Built-in HDD (Optional)

Mount the (optional) built-in HDD to increase the memory capacity or implement secure printing.

Reference

- For the functions required by the HDD, see "Advanced".

■ Built-in HDD



1 Turn OFF the device power supply, and remove the cables.

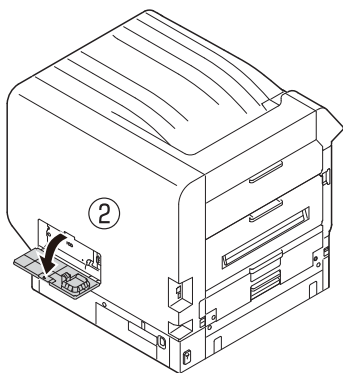
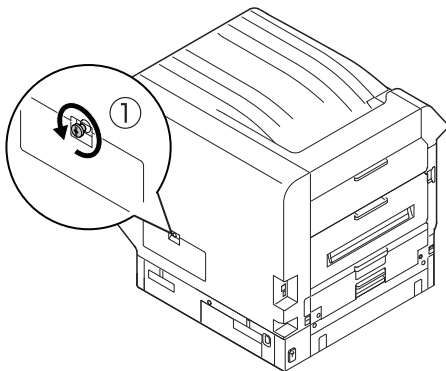
Note

- When turning OFF the power supply, make sure to press the power switch and wait for shutdown before turning OFF (O) the main power switch.

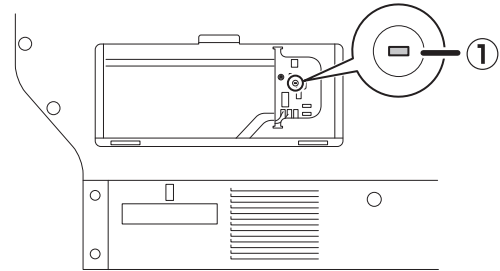
Reference

- "Connecting Power Cables" (P.51)
- "Turning OFF the Power Supply" (P.52)

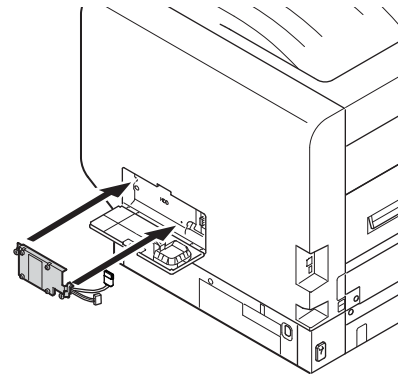
2 Loosen the screws on the access cover at the back of the printer (①), and open the door (②).



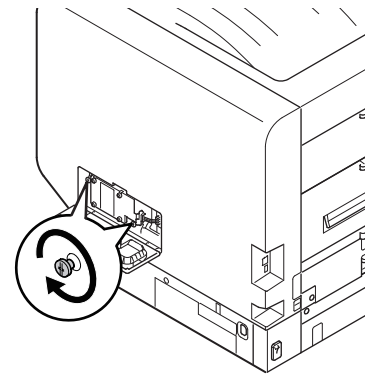
3 Check that the internal LED lamp (①) is OFF.



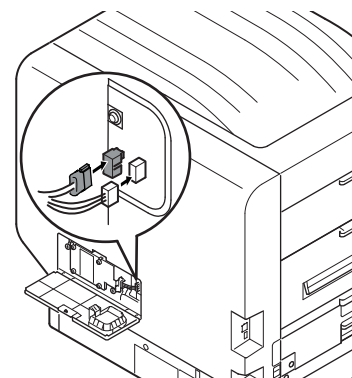
4 Align the screws (x2) on the built-in HDD to the holes on the device.



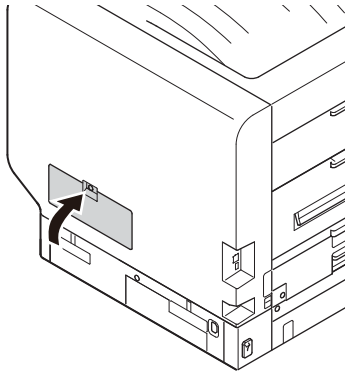
5 Rotate the screws (x2) in the direction of the arrows to tighten securely.



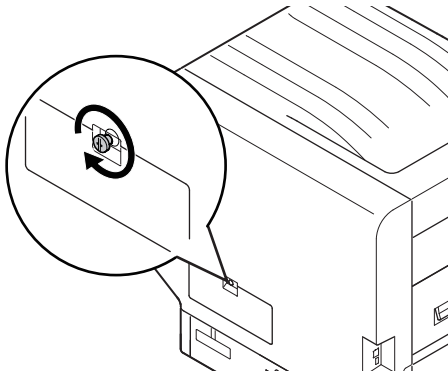
6 Connect the HDD connectors to the device.



7 Close the access cover.

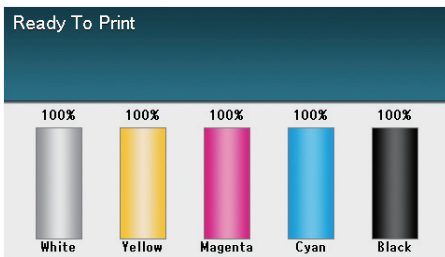


8 Tighten the access cover screws.



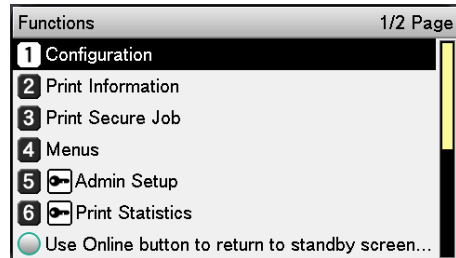
9 Connect the cables, and turn ON the device power supply.

10 Check that the standby screen is displayed in the liquid crystal panel.



11 Print the "Configuration".

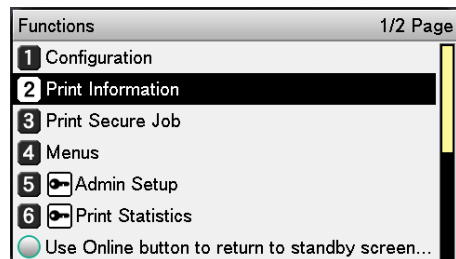
Press either the scroll button ▲ or ▼ on the control panel to display the "Functions" screen.



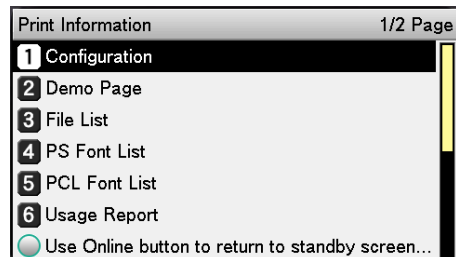
Memo

- Print the "Configuration" on A4 size paper. Set A4 size paper in the paper feed tray.

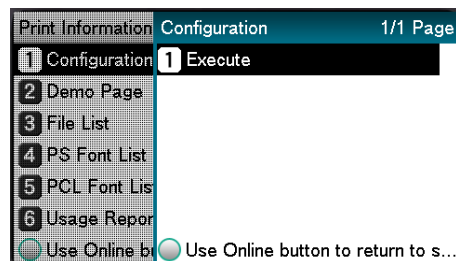
12 Press the scroll button ▼ to select [Print Information], and then press the [OK] button.



13 When the [Configuration] have been selected, press the [OK] button.



14 When [Execute] has been selected, press the [OK] button.



15 Check that the HDD has been added to the "Configuration".

Reference

- "Printer Information" (P.54)

1 Before use

2 Setting Up

3 Printing



4 Basic Device Operations

Appendix

Index

● Turning ON/OFF the Power

Power Supply Precautions

 WARNING	There is a risk of getting an electric shock and/or causing fire.	
--	--	---

- Be sure to cut off the power supply when attaching or removing the power supply plug or the earth wire.
- Be sure to connect an earth wire to the grounding terminal of exclusive use.
- Please do not connect with the ground of a water pipe, a gas pipe, and a telephone wire, or lightning rod without fail.
- Make sure to connect with the ground terminal before connecting the power cord to the power supply plug.
- Be sure to perform extraction and insertion of the power cord with a power supply plug.
- Insert the power supply plug into the wall socket securely.
- Do not touch the power cord, or machine, if your hands are wet.
- Install the power cord in a location where it will not be stepped on, and do not place objects on the power cord.
- Do not twist, bind, or knot the power cord.
- Please do not use a damaged power cord.
- Do not carry out foot wiring.
- Do not connect this machine and other electric products to the same wall socket. If connected simultaneously with an air-conditioner, a copy machine, shredder, etc., electric noise may interfere with operation. When the connection with the same wall socket is unavoidable, please use a commercial noise filter or a commercial noise cut transformer.
- Use the attached power cord and insert it directory with the ground terminal. Do not use power cords intended for other products with this machine.
- Do not use an extension cord. When use is unavoidable, use a cord rated higher than 15A.
- Use of an extended cord may cause AC voltage decrease and interfere with normal operation.
- During printing, do not shut off the power supply or pull out the power supply plug.
- When not in use for consecutive holidays or longterm travel, pull out the power cord.
- Do not use the attached power cord for other products.

Power Supply Conditions

Observe the following power supply conditions.

Current: 110 - 127VAC
 (Range 99 - 140 VAC)
 220 - 240VAC
 (Range 198 - 264VAC)

Power frequency: 50/60 Hz ± 2%

! Note

- If the power supply is unstable, use a voltage regulator.
- The maximum power consumption of the device is 1500W. Check that there is sufficient voltage capacity.
- Operations cannot be assured if using an uninterruptible power supply (UPS) or inverter. Do not use an uninterruptible power supply or inverter.

1

Before use

2

Setting Up

3

Printing

4

Basic Device Operations

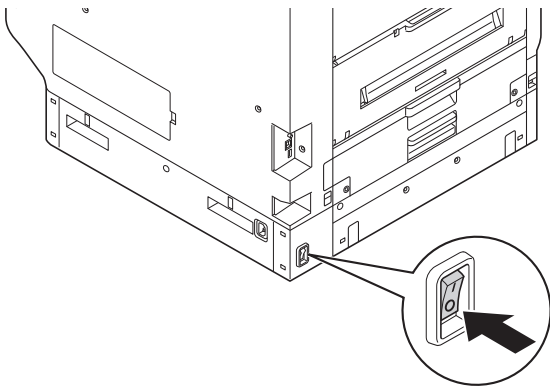
Appendix

Index

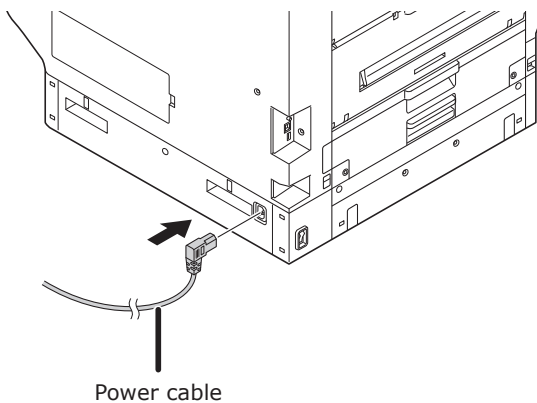
Connecting Power Cables

- 1 Check that the device power supply is turned OFF.

The device is OFF when the main power switch is in the (O) position.



- 2 Securely insert the enclosed power cable into the device power connector.



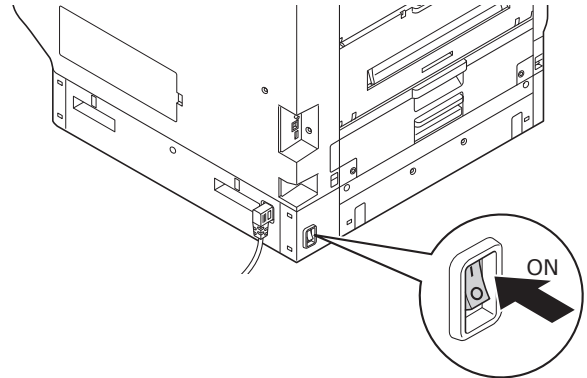
- 3 Insert the power plug into the power outlet.

Turning ON the Power Supply

! Note

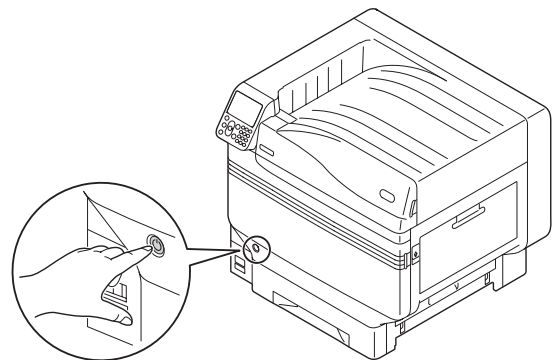
- Do not turn ON the power supply before the Spot Color kit has been set.

- 1 Turn ON (I) the main power switch.



- 2 Press and hold the power switch for approx. 1s.

When the power supply is ON, the LED lamp for the power switch will turn ON.



Memo

- The "OKI" logo screen will be displayed in the liquid crystal display of the control panel when the device starts. Wait a moment until the standby screen is displayed, and the printing is enabled.
- When the power supply is turned ON for the first time, the device auto initialization will start. Wait until the standby screen is displayed in the liquid crystal display on the control panel.

1

Before use

2

Setting Up

3

Printing

4

Basic Device Operations

Appendix

Index

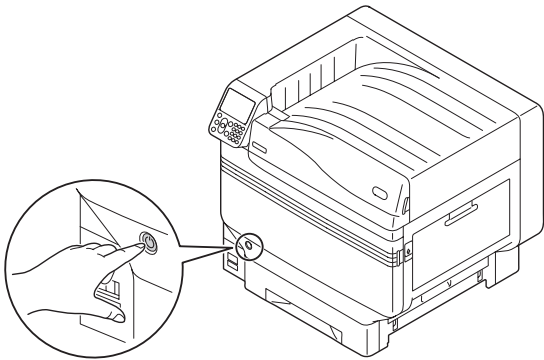
Turning OFF the Power Supply

During normal use, use the following procedure to turn OFF the power supply.

! Note

- Once shutdown has been implemented, it cannot be stopped. To turn ON the device power supply again, wait until shutdown has finished, and then turn ON the power supply.

- 1 Press and hold the power switch for approx. 1s.



"Shutting down. Please wait. Power will turn OFF automatically" will be displayed in the control panel, and the power switch LED lamp will flash on an approx. 1-s cycle.

Wait a moment, and the power supply for the device will turn OFF automatically, and the LED lamp on the power switch will turn OFF.

! Note

- Press and hold the power switch for 5s min. to force-turn OFF the power supply. Use only if a problem has occurred. For device problems, see "Troubleshooting/Daily Maintenance Manual".

In the following cases, use the following procedure to turn OFF the main power supply.

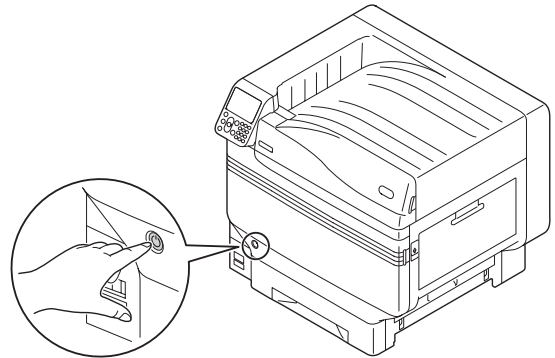
If not using the device for long periods over holidays or during travel, etc.

If mounting optional or maintenance products.

If moving the device.

If implementing device repairs or inspections, etc.

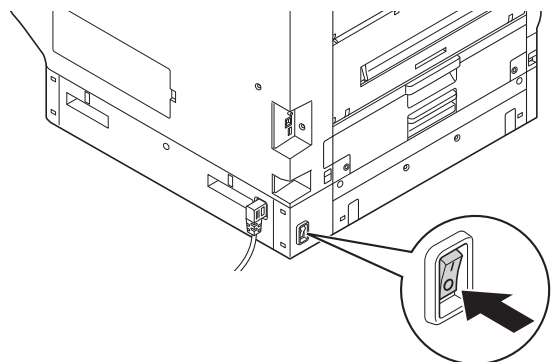
- 1 Press and hold the power switch for approx. 1s.



"Shutting down. Please wait. Power will turn OFF automatically" will be displayed in the control panel, and the power switch LED lamp will flash on an approx. 1-s cycle.

Wait a moment, and the device power supply will turn OFF automatically, and the LED lamp on the power switch will turn OFF.

- 2 Turn the main power supply switch to the OFF (O) position to turn OFF the power supply.



● Test Printing Using the Printer Only

Check that printing is actually enabled using the printer only. Check by printing the device setup and setup details, which enable the status to be checked. (Printer information.)

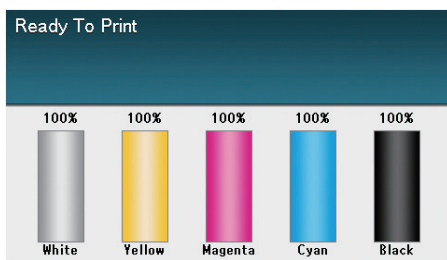
Memo

- Print the "printer information" on A4 size paper. Set A4 size paper in the paper feed tray.

Reference

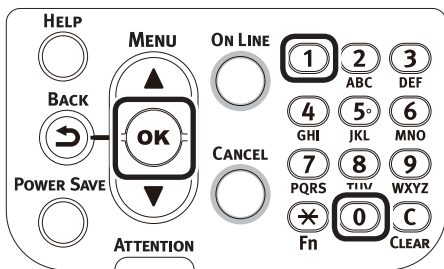
- See "Turning ON the Power Supply" (P.51) for how to turn ON the power supply.

- 1 Set A4 paper in tray 1.
- 2 Check that the standby screen is displayed in the liquid crystal panel.

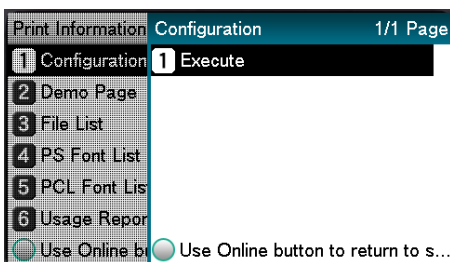


- 3 Press the [Fn] key.
The numerical values input screen will be displayed.

- 4 Press [1], [0], [0], and then press the [OK] button.



- 5 When [Execute] has been selected, press the [OK] button.



The printer information will be displayed.

- 1 Before use
- 2 Setting Up
- 3 Printing
- 4 Basic Device Operations
- Appendix
- Index

Printer Information

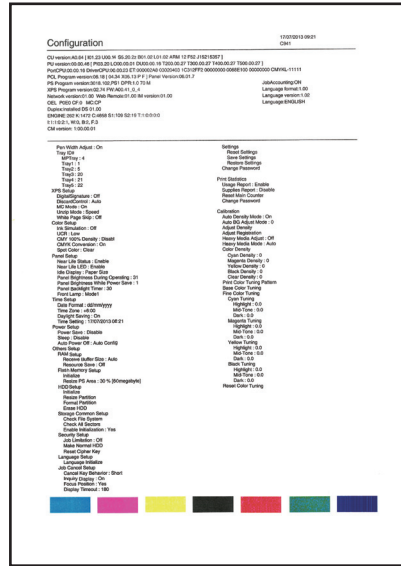
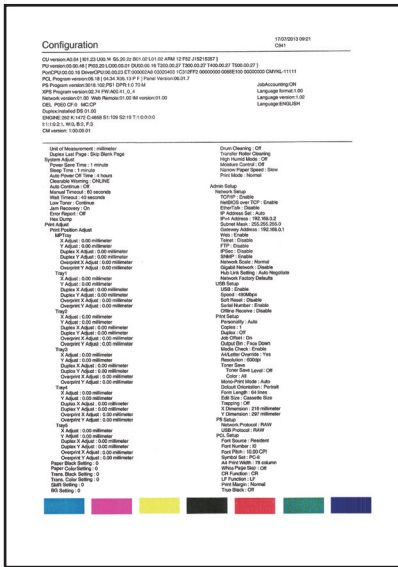
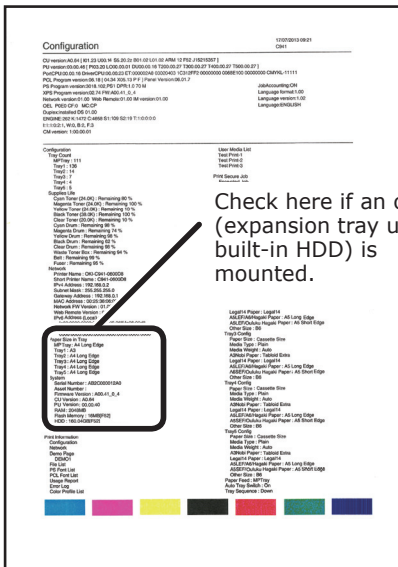
During test printing, the following device setup details (printer information) will be printed.



- Use the printer information to check the functions that are currently usable, the settings table, the software and hardware versions built into the device, and the print quantity, etc.



- The printer information described here is a sample. The printer information printed by your device may differ in places.



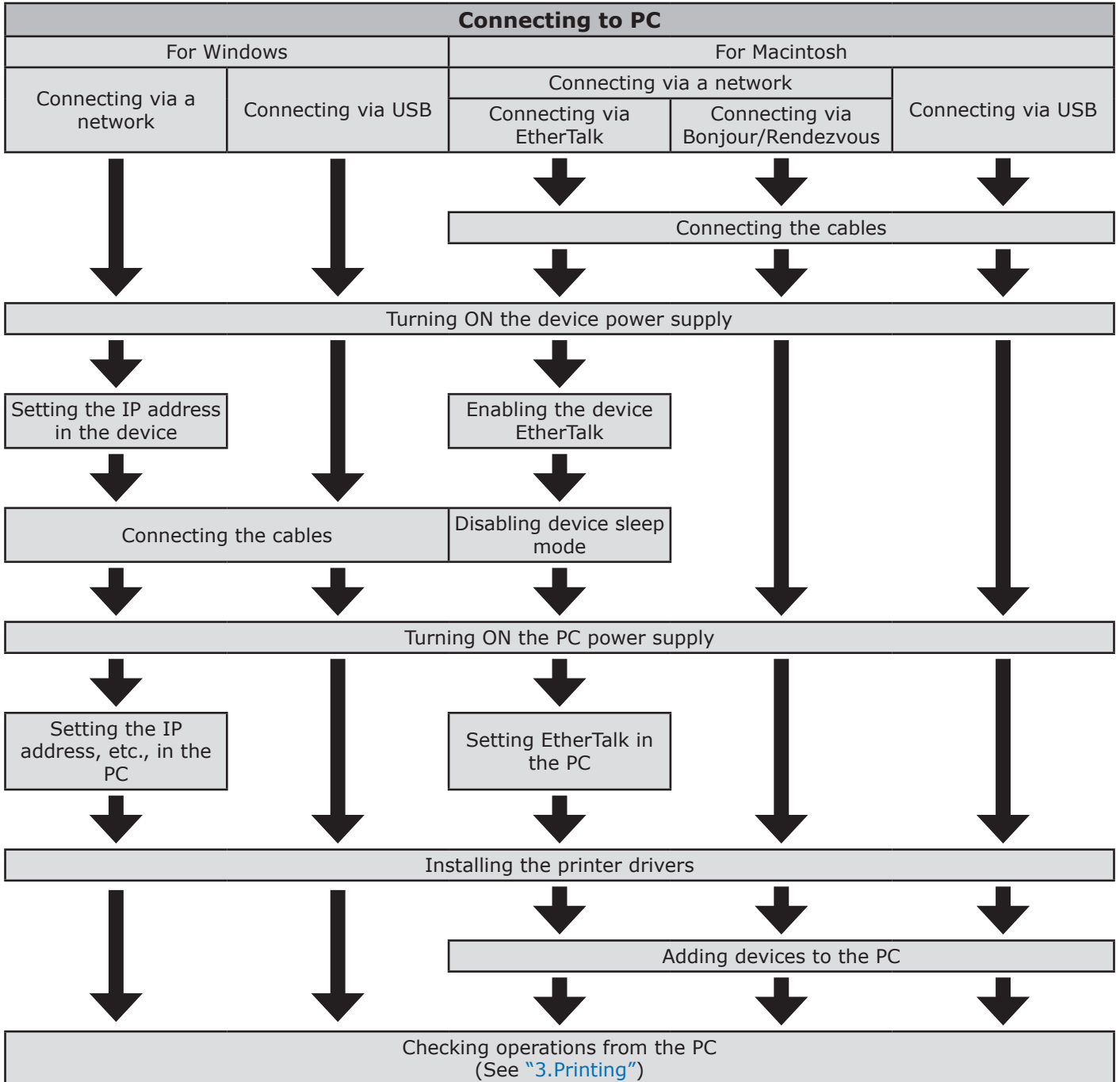
Reference

- You can also print function reports and demo pages, etc. For details, see "Advanced".

● Connecting the PC

This section explains how to connect the device to a PC, and how to install the printer drivers from the enclosed "Software DVD-ROM". Prepare a PC connected to a DVD drive.

Flow for Installing Drivers on a PC



1 Before use

2 Setting Up

3 Printing

4 Basic Device Operations

Appendix

Index

Operating Environment

The device is compatible with the following operating systems (OS).

- Windows 10/Windows 10 (64-bit version)*
- Windows 8.1/Windows 8.1 (64-bit version)*
- Windows 8/Windows 8 (64-bit version)*
- Windows Server 2016
- Windows Server 2012 R2
- Windows Server 2012
- Windows 7/Windows 7 (64-bit version)
- Windows Server 2008 R2
- Windows Server 2008/Windows Server 2008 (x64 version)
- Mac OS X 10.10.5 to OS X 10.13

*: Only desktop mode is compatible for Windows 10, 8.1 and Windows 8.

Printer Driver Types

The following types of printer driver can be installed.

- Windows

Type	Explanation
PS	Applies to the printing of documents including PostScript fonts and EPS data. Can also be used for regular printing.

- Mac OS X

Type	Explanation
PS	Applies to the printing of documents including PostScript fonts and EPS data. Can also be used for regular printing.

! Note

- Descriptions may differ depending on the printer driver, and Windows or Mac OS version.

Connecting Cables

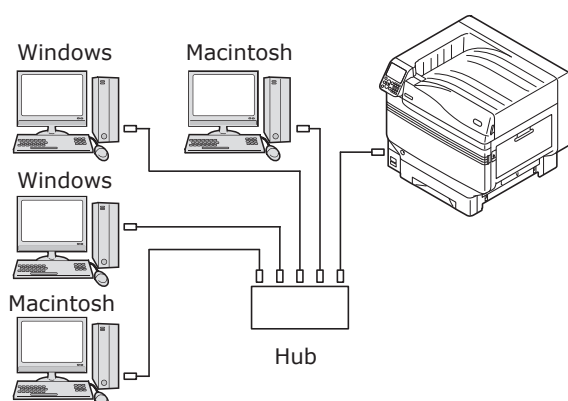
Connect the device to a PC or network.

The device is equipped with the LAN (network) interface connectors and USB interface connectors as standard. Connections can be made to the network directly using LAN cables, and to the PC using USB cables.

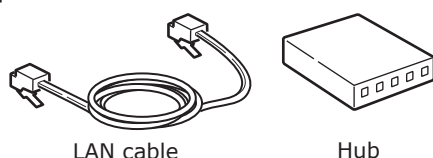
Connecting Using LAN Cables

Connecting the device to a network such as LAN (Ethernet*), etc., enables the device to be shared by all the PCs on the network. This system can be used by OS such as Windows or Mac, etc.

*: The device is equipped with network interfaces compatible with 10BASE-T/100BASE-TX/1000BASE-T as standard.



■ Preparations

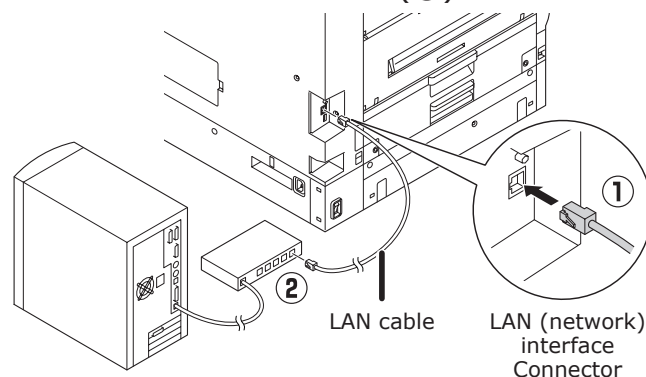


! Note

- LAN cables and hubs are not enclosed with the device. Prepare LAN cables (category 5 or greater, twist pair cable, straight) and hubs as necessary.
- The setup must be changed if using with 1000BASE-T as the factory default settings are "Gigabit network: Disabled" in the administrator setup menu. Setup method: In the control panel, select [Admin Setup]> Enter the password> [Network Setup]> [Gigabit network]> [Enable].

■ Connecting LAN Cables

- 1 Connect the LAN cable to the LAN (network) interface connector (①).
Connect the other end of the LAN cable to the hub connector (②).



1

Before use

2

Setting Up

3

Printing

4

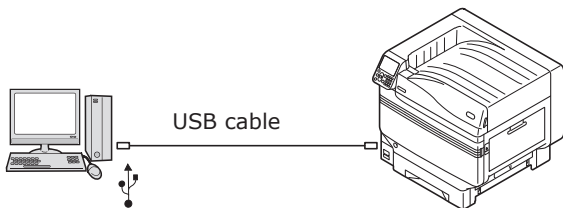
Basic Device Operations

Appendix

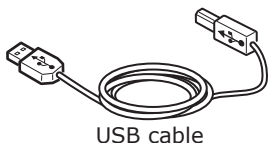
Index

Connecting Using USB Cables

Connect the device and PC using USB cables.



■ Preparations



! Note

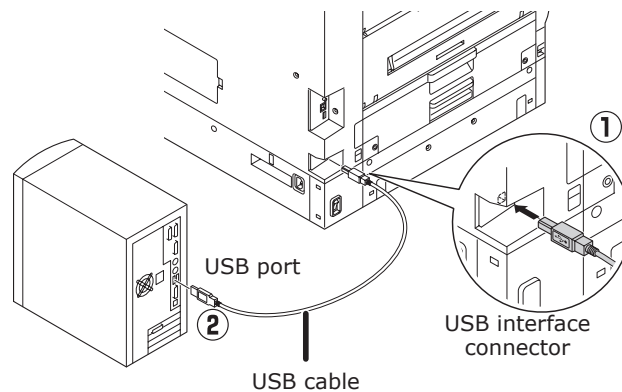
- USB cables are not enclosed with the device. Prepare USB cables with USB2.0 specifications, length 2m max. as necessary.
- If connecting using USB2.0 Hi-Speed mode, use a USB cable with Hi-Speed USB2.0 specifications.

■ Connecting USB Cables

! Note

- If the printer drivers are not installed on the PC, remove the USB cable from the PC, and first install the printer drivers. (page 64)

- 1 Pay attention to the connector orientation, and connect the square end of the USB cable to the Printer (①). Connect the other, flat end to the PC (②).



! Note

- Be careful not to insert the USB cable into the LAN (network) interface connector. Doing so may cause a printer malfunction.
- Do not insert the USB cable when the PC or device power supply is ON. Doing so may cause a printer malfunction.

Memo

- Set the device USB baud rate using the control panel according to the USB port baud rate (speed) mounted to the PC. For the control panel, see "Control Panel Appearance" (P.25).

1 Before use

2 Setting Up

3 Printing

4 Basic Device Operations

Appendix

Index

Installer Printer Drivers (Windows)

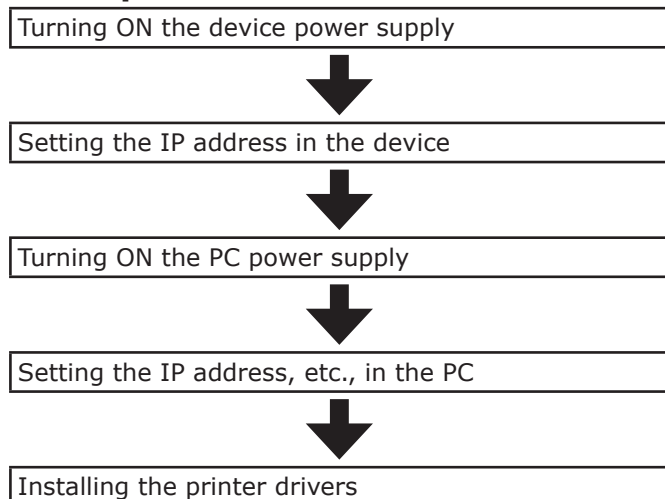
Network Connections

To connect the Windows PC and device to the network, first set the device IP address. Next, install the printer drivers on the PC.

If there are no DHCP or BOOTP servers on the network, it is necessary to set the IP address on the PC and device manually.

Further, it is also necessary to set the IP address in the PC and device manually if instructed to set a specific IP address determined by the in-house network administrator, provider, or router manufacturer.

■ Setup Flow



! Note

- If the IP address is incorrect, the network may go down, or internet connections be disabled. Check the IP addresses that can be set in the device with your in-house network administrator or internet service provider.
- The server on the network (DHCP, etc.) depends on the network environment in use. Check with your in-house network administrator, internet service provider, or router manufacturer.
- Setup requires computer administrator privileges.
- In "Setting Up", the operating procedure described is for Windows 7 unless otherwise specified. The screens and operating procedure may differ depending on the OS.

■ Setting the IP Address in the Device Using the Control Panel

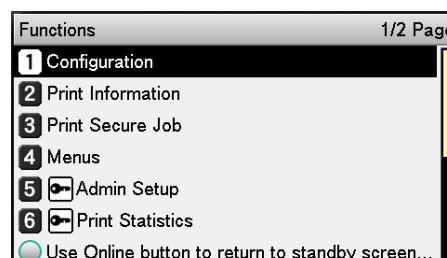
Memo

- If configuring using a small scale network that connects the device to a single PC, set the following IP address (conforming to RFC1918).
 - PC
 - IP address: Any from 192.168.0.1 to 254
 - Subnet mask: 255.255.255.0
 - Default gateway: Not used
 - DNS server: Not used
 - Device
 - IP address setup: Manual from 192.168.0.1 to 254 (Select a different value from the PC.)
 - Subnet mask: 255.255.255.0
 - Default gateway: 0.0.0.0
 - Network size: Small scale

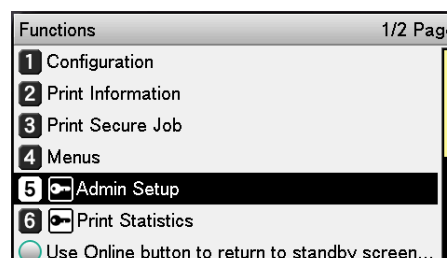
This section explains the following settings as an example.

IP address: 192.168.0.3 (PC)
 192.168.0.2 (Device)
 Subnet mask: 255.255.255.0
 Gateway address: 192.168.0.1

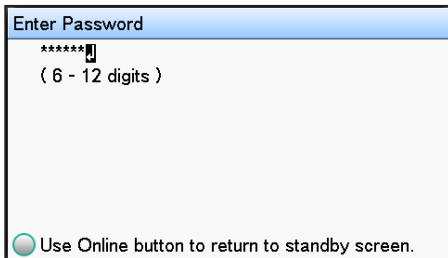
- 1 Press either the scroll button ▲ or ▼ on the control panel to display the "Functions" screen.



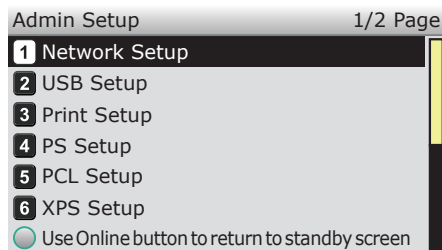
- 2 Press the scroll button ▼ several times to select [Admin Setup], and then press the [OK] button.



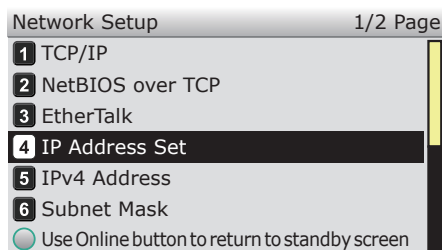
- 3** Use the 10-key pad to enter the administrator password.
- The default factory-set password is "aaaaaa". Press the [OK] button after entering each individual character.



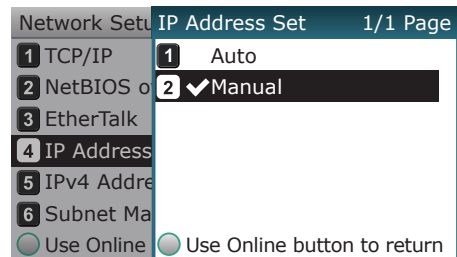
- 4** Press the [OK] button.
- 5** Check that [Network Setup] has been selected, and press the [OK] button.



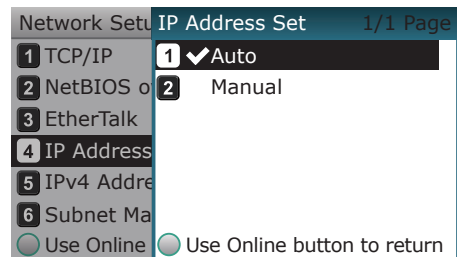
- 6** Press the scroll button ▼ several times to select [IP Address Set], and then press the [OK] button.



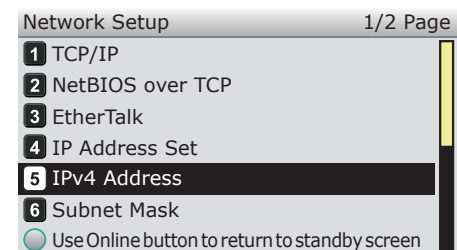
- 7** If setting the IP address manually, press the scroll button ▼ to select [Manual], and then press the [OK] button.
- Go to Step 8



- If acquiring the IP address automatically, check that [Auto] has been selected, and then press the [OK] button.
- Go to Step 14

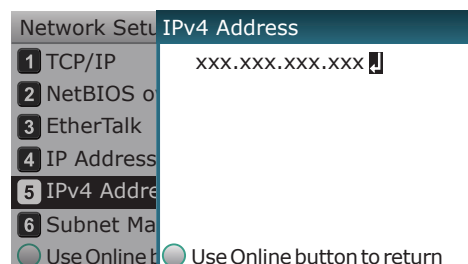


- 8** Press the scroll button ▼ several times to select [IPv4 Address], and then click the [OK] button.

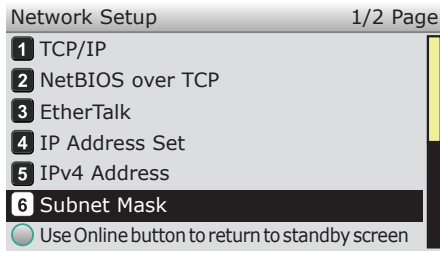


- 9** Use either the scroll buttons ▲▼ or the 10-key pad to enter the first 3 digits of the IP address, and then press the [OK] button. Enter the next 3 digits in the same way. When all entries are complete, press the [BACK] button.

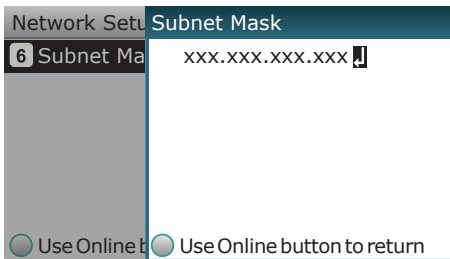
To move to the next box, press the [OK] button.



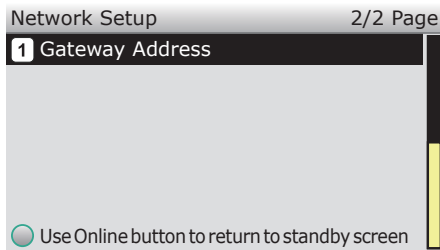
10 Press the scroll button ▼ to select [Subnet Mask], and then press the [OK] button.



11 Enter the subnet mask in the same way as the IP address. When all entries are complete, press the [BACK] button.



12 Press the scroll button ▼ to select [Gateway Address], and then press the [OK] button.



13 Enter the gateway address in the same way as the IP address. When all entries are complete, press the [BACK] button.



14 Press the [ON LINE] button to complete the network setup.



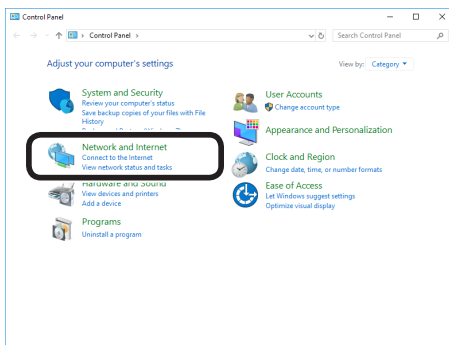
- 1 Before use
- 2 Setting Up**
- 3 Printing
- 4 Basic Device Operations
- Appendix
- Index

■ Setting the IP Address in the PC

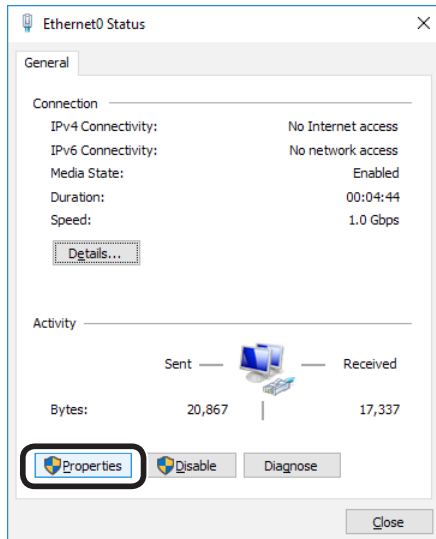
Note

- If the IP address has already been set in the PC or is acquired automatically, go to "Setting the IP Address in the Device Using the Control Panel" (P.59).

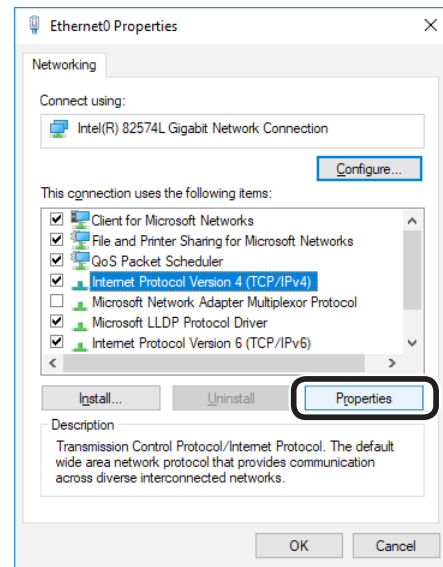
- 1 Turn ON the PC power supply to start Windows.
- 2 Click [Start], and select [Windows System] > [Control panel].
- 3 Click [View network status and tasks].



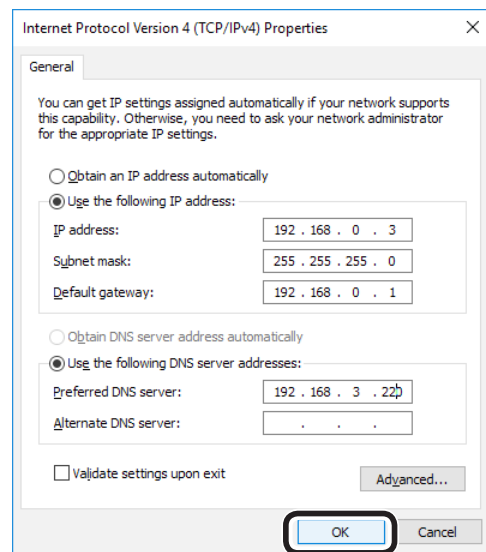
- 4 Click [Ethernet], and then click [Properties] in the "Ethernet" window.



- 5 Select [Internet Protocol Version 4 (TCP/IPv4)], and click [Properties].



- 6 Enter the IP address, Subnet mask, Default gateway, and DNS server, and click [OK].



Memo

- If acquiring the IP address from the DHCP server automatically, select "Obtain an IP address automatically", and do not enter an IP address.
- Do not enter if not using a Default gateway or DNS server.

- 7 Close the "Local Area Connection Properties" window.

■ Installing Printer Drivers

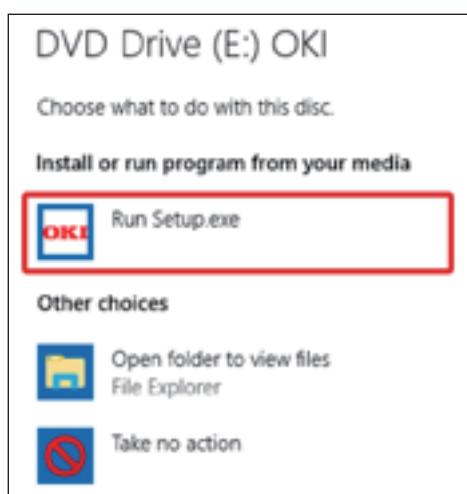
- 1 Check that the device and PC are connected, and that the power supply is turned ON.

Reference

- “Connecting Using LAN Cables” (P.57)

- 2 Insert the included “Software DVD-ROM” into a computer.

- 3 When [Auto Play] is displayed, click [Run setup.exe].



Memo

- If the [User Account Control] dialog is displayed, click [Yes].

- 4 Select a language from the drop-down list.

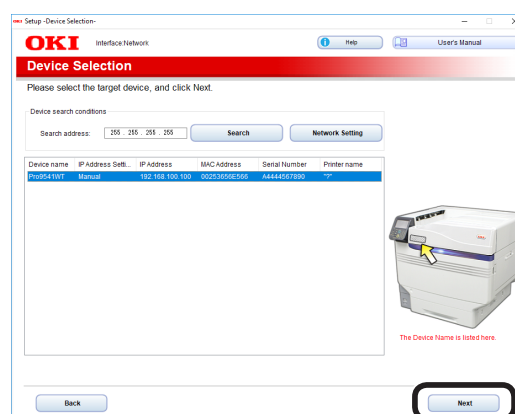
- 5 Read the license agreement, and then click [Accept].

- 6 Read [Environment advice], and then click [Next].

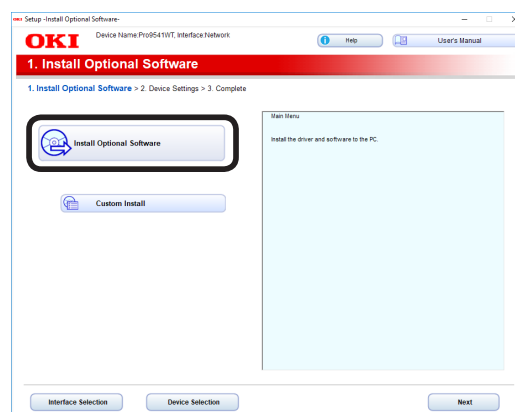
- 7 Select [Network] or [USB connection] in accordance to the connection method of the machine and computer, and then click [Next].

If the [Windows Security Alert] dialog is displayed, click [Allow access].

- 8 Select the model name of the machine, and then click [Next].



- 9 Click [Install Optional Software].



Installation starts.

Memo

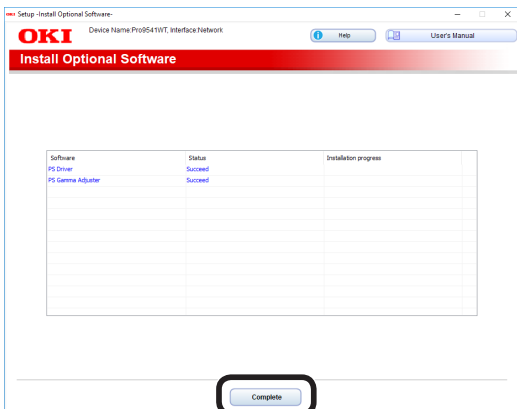
- The following software is installed.
 - PS Printer Driver (Including Network Extension and PS Gamma Adjuster)
- Install other software from Custom Install.

- 10 Make sure that the software is successfully installed, and then click [Printing Test].

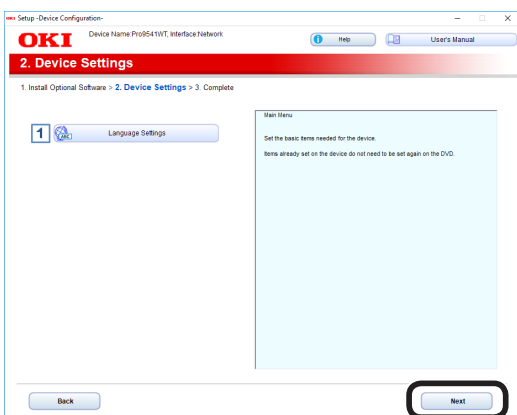
Select the printer for test printing, and then click [Printing Test].

Make sure that the test printing was successful, and then click [OK].

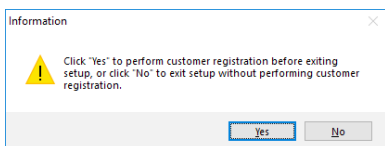
11 Click [Complete].



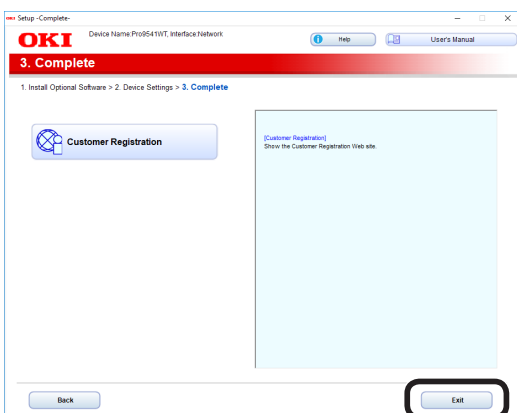
12 Click [Next].



If the following dialog is displayed, click [Yes].



13 Click [Exit].



Reference

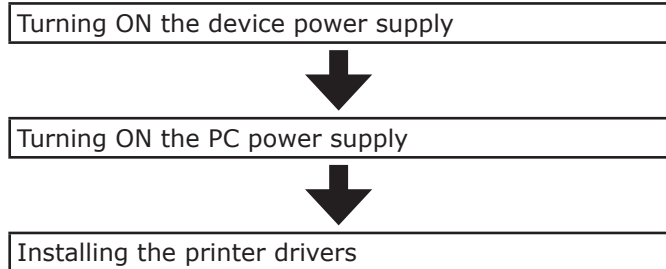
- For how to print from the PC, see "Printing from Trays" (P.81).

USB Connections

Note

- Check that the device power supply is turned OFF.
- Setup requires computer administrator privileges.
- This section described the operating procedure for Windows 7 unless otherwise specified. The screens and operating procedure may differ depending on the OS.

■ Setup Flow



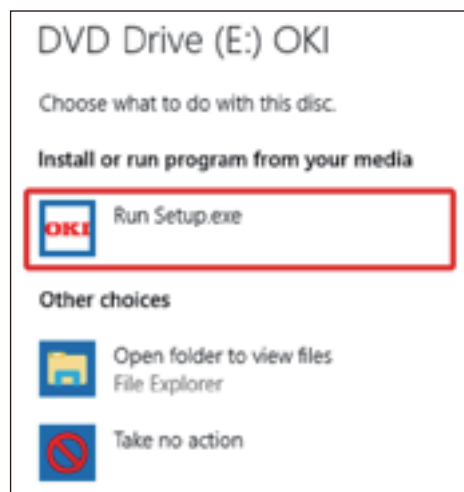
1 Turn ON the PC power supply to start Windows.

Memo

- When the device power supply is turned ON, the "Add new software wizard" may be displayed in the screen. If this happens, click "CANCEL", and then turn OFF the device before proceeding to the next step.

2 Insert the included "Software DVD-ROM" into a computer.

3 When [Auto Play] is displayed, click [Run setup.exe].



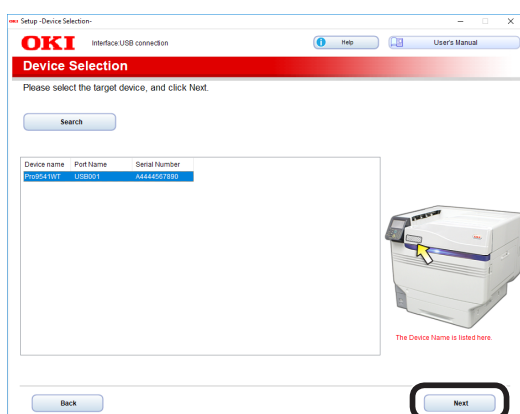
Memo

- If the [User Account Control] dialog is displayed, click [Yes].

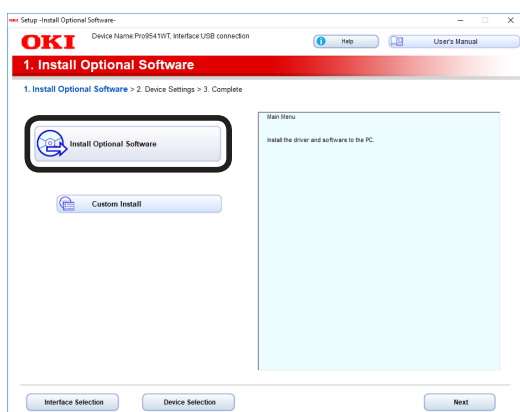
4 Select a language from the drop-down list.

5 Read the license agreement, and then click [Accept].

- 6** Read [Environment advice], and then click [Next].
- 7** Select [Network] or [USB connection] in accordance to the connection method of the machine and computer, and then click [Next].
- If the [Windows Security Alert] dialog is displayed, click [Allow access].
- 8** Select the model name of the machine, and then click [Next].



- 9** Click [Install Optional Software].



Installation starts.



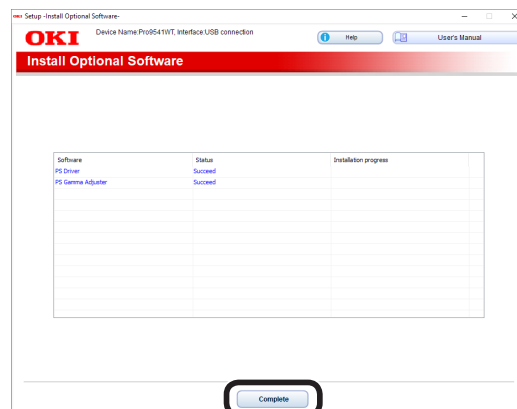
- The following software is installed.
 - PS Printer Driver (Including Network Extension and PS Gamma Adjuster)
- Install other software from Custom Install.

- 10** Make sure that the software is successfully installed, and then click [Printing Test].

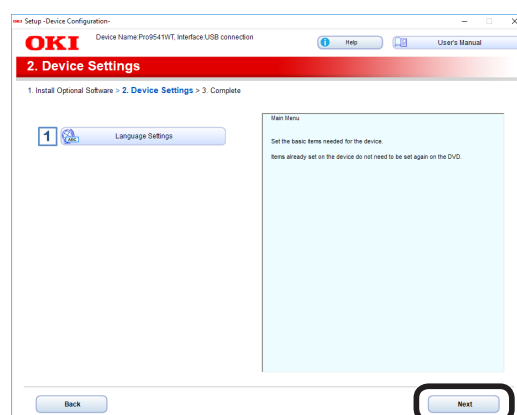
Select the printer for test printing, and then click [Printing Test].

Make sure that the test printing was successful, and then click [OK].

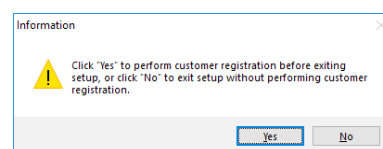
- 11** Click [Complete].



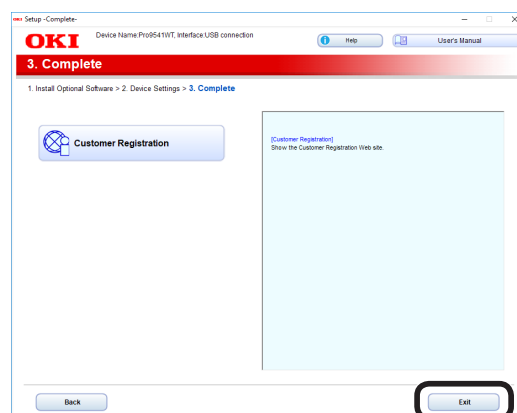
- 12** Click [Next].



If the following dialog is displayed, click [Yes].



- 13** Click [Exit].



- For how to print from the PC, see "Printing from Trays" (P.81).

Installing Printer Drivers (Macintosh)

Network Connections

To connect Mac OS X and the device via a network, install the printer drivers on the computer, and then set the device as a network printer.

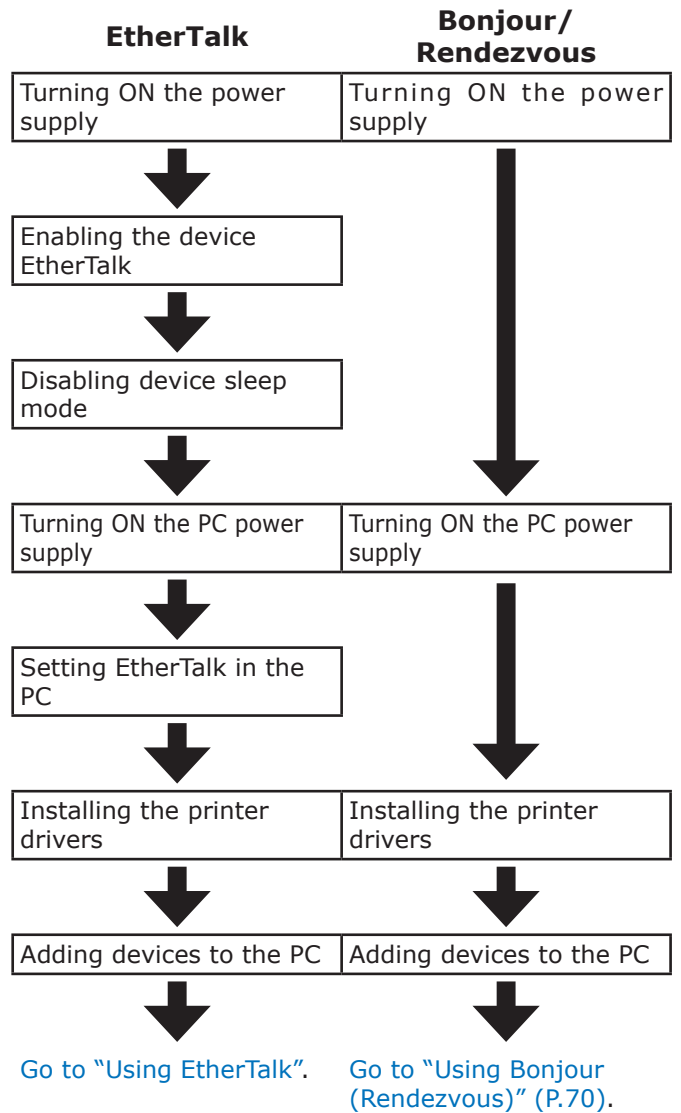
Deciding the Print Method (Protocol)

There are two printing methods from Mac OS X: Using EtherTalk, and using Bonjour/Rendezvous.

Print method (Protocol)	Features
EtherTalk	Uses functions mounted as standard to OS X 10.3 to 10.5.
Bonjour Rendezvous	Use this with TCP/IP networks.

Setup Flow

The setup procedure may differ depending on the print method.



Note

- Upgrading the Mac OS X or printer driver version may result in differences from the description in the manual.
- Disable all anti-virus software before starting the setup.

- 1 Before use
- 2 Setting Up
- 3 Printing
- 4 Basic Device Operations
- Appendix
- Index

■ Using EtherTalk

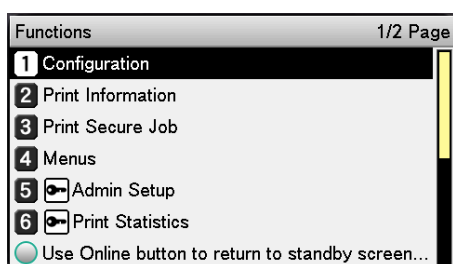
- Enable EtherTalk using the control panel, and disable sleep mode

If connecting to a network using EtherTalk, it is necessary to enable EtherTalk in the printer, and disable sleep mode. Next, install the printer drivers in the computer.

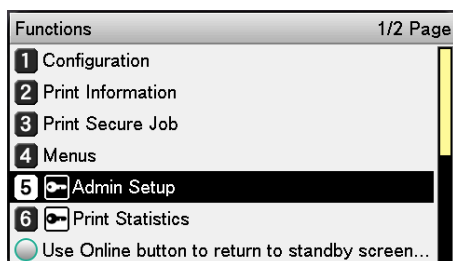
Reference

- People using Bonjour go to "Using Bonjour (Rendezvous)" (P.70).

- 1 Press either the scroll button ▲ or ▼ on the control panel to display the "Functions" screen.

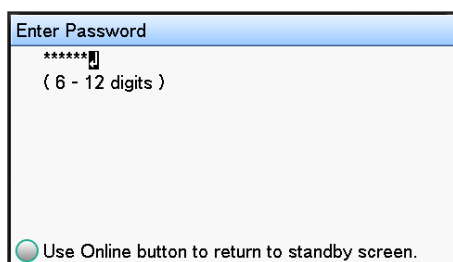


- 2 Press the scroll button ▼ several times to select [Admin Setup], and then press the [OK] button.



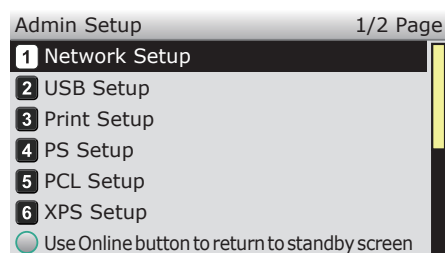
- 3 Use the 10-key pad to enter the administrator password.

The default factory-set password is "aaaaaa". Press the [OK] button after entering each individual character.

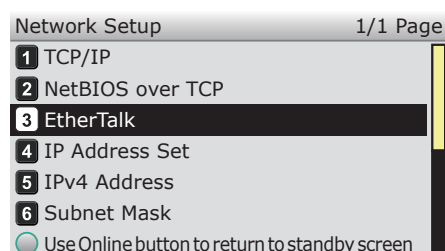


- 4 Press the [OK] button.

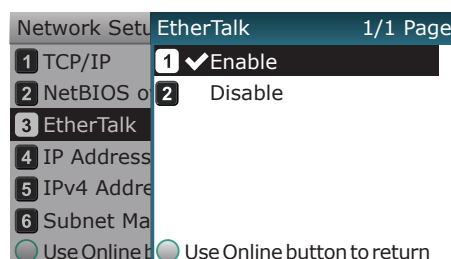
- 5 Check that [Network Setup] has been selected, and press the [OK] button.



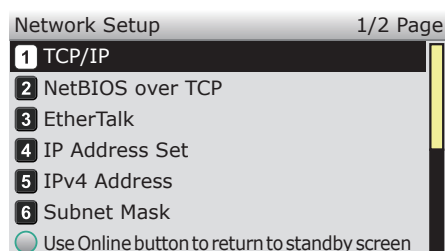
- 6 Press the scroll button ▼ several times to select [EtherTalk], and then click the [OK] button.



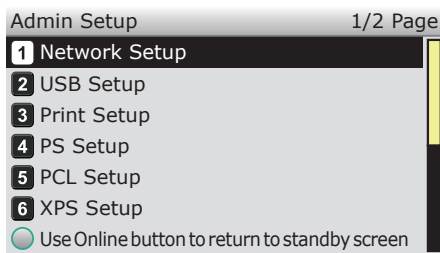
- 7 Press the scroll button ▼ to select [Enable], and then press the [OK] button.



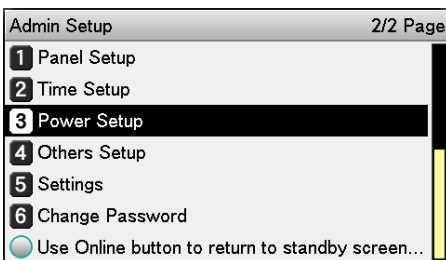
- 8 Press the [BACK] button to display the "Network Setup" screen.



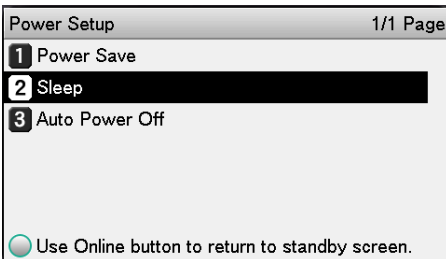
9 Press the [BACK] button to display the [Admin Setup] screen.



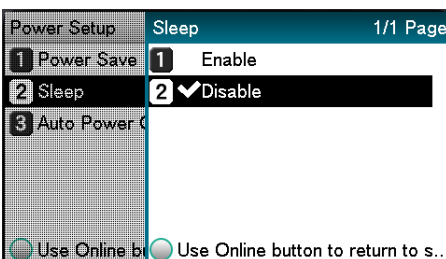
10 Press the scroll button ▼ several times to select [Power Setup], and then click the [OK] button.



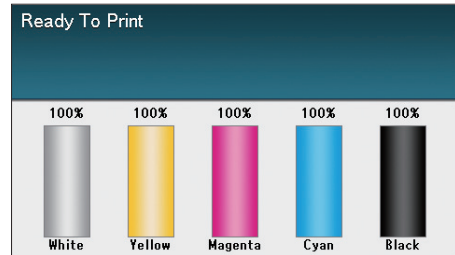
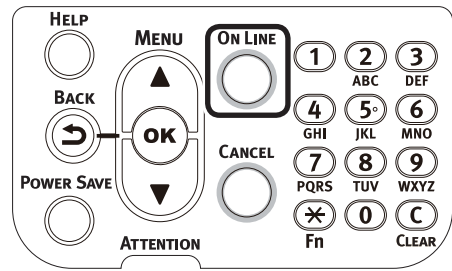
11 Press the scroll button ▼ to select [Sleep], and then click the [OK] button.



12 Press the scroll button ▼ to select [Disable], and then click the [OK] button.



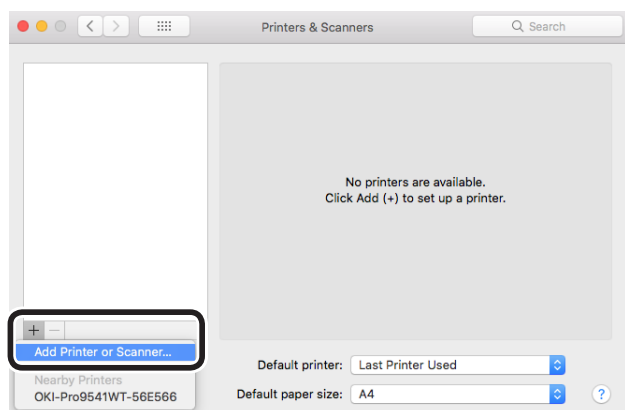
13 Press the [ON LINE] button to return to the standby screen.



1 Before use
2 Setting Up
3 Printing
4 Basic Device Operations
Appendix
Index

❑ Installing the printer drivers on the computer

- 1 Make sure that the machine and a computer are connected and the machine is turned on.
- 2 Insert the "Software DVD-ROM" into a computer.
- 3 Double-click the [OKI] icon on the desktop.
- 4 [Drivers] > [PS] > Double-click [Installer for OSX].
- 5 Enter the administrator password, and then click [OK].
Follow the on-screen instructions to complete the installation.
- 6 Select [System Preferences] from the Apple menu.
- 7 Click [Printers & Scanners].
- 8 Click [+].
Select [Add Printer or Scanner...] when the menu is displayed.

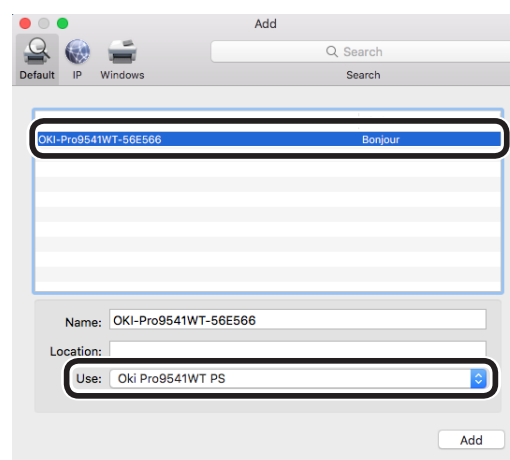


- 9 Click [Default].

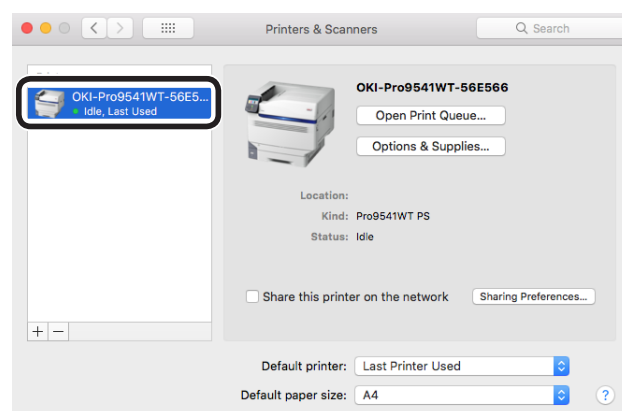
- 10 Select the machine, and then select [OKI Pro9541WT PS] in [Use].

Memo

- To change the name, enter a new name into [Name:].



- 11 Click [Add].
- 12 If the confirmation screen for optional equipment appears, click [OK].
- 13 Make sure that the machine is added to [Printers] and [Pro9541WT PS] is displayed for [Kind].



Note

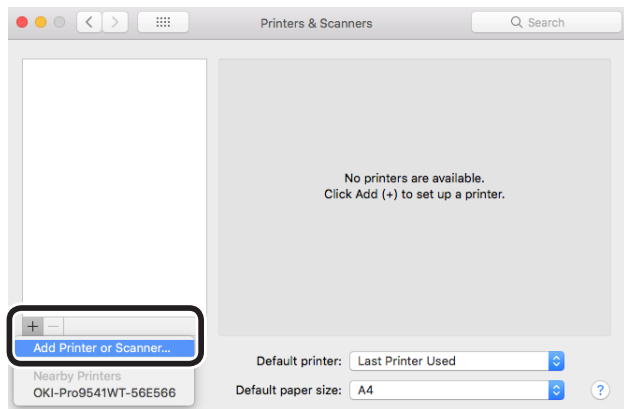
- If [Pro9541WT PS] is not displayed for [Kind] correctly, click [-], delete the machine from [Printers], and then newly perform steps 8 to 12.

- 14 Click [Open Print Queue...].
- 15 Select [Print Test Page] from the [Printer] menu.

■ Using Bonjour (Rendezvous)

□ Installing the printer drivers on the computer

- 1 Make sure that the machine and a computer are connected and the machine is turned on.
- 2 Insert the "Software DVD-ROM" into a computer.
- 3 Double-click the [OKI] icon on the desktop.
- 4 [Drivers] > [PS] > Double-click [Installer for OSX].
- 5 Enter the administrator password, and then click [OK].
Follow the on-screen instructions to complete the installation.
- 6 Select [System Preferences] from the Apple menu.
- 7 Click [Printers & Scanners].
- 8 Click [+].
Select [Add Printer or Scanner...] when the menu is displayed.

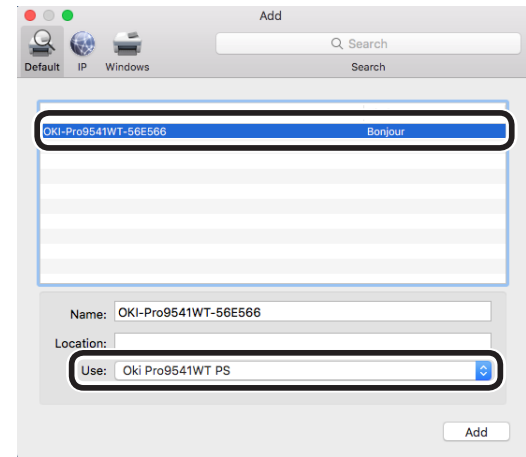


- 9 Click [Default].

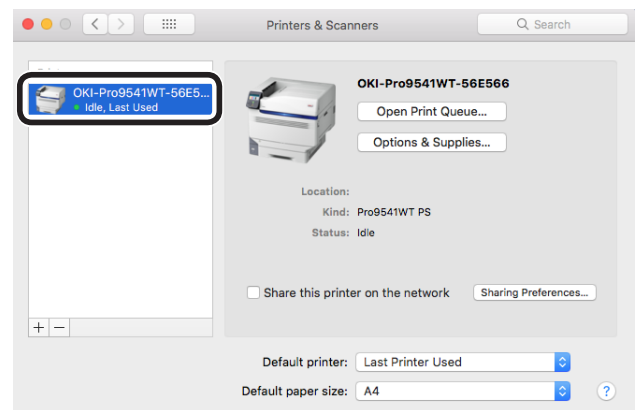
- 10 Select the machine, and then select [OkI Pro9541WT PS] in [Use].

Memo

- To change the name, enter a new name into [Name:].



- 11 Click [Add].
- 12 If the confirmation screen for optional equipment appears, click [OK].
- 13 Make sure that the machine is added to [Printers] and [Pro9541WT PS] is displayed for [Kind].



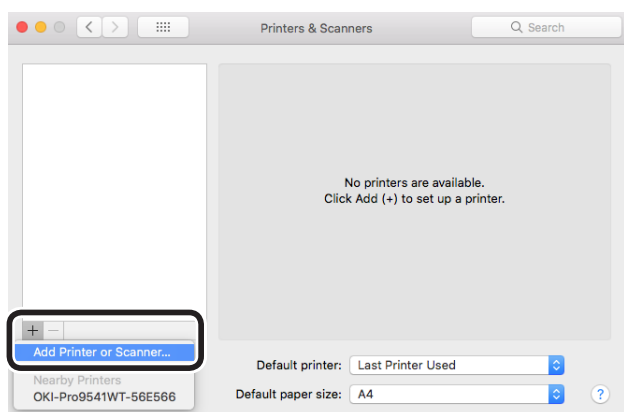
! Note

- If [Pro9541WT PS] is not displayed for [Kind] correctly, click [-], delete the machine from [Printers], and then newly perform steps 8 to 12.

- 14 Click [Open Print Queue...].
- 15 Select [Print Test Page] from the [Printer] menu.

USB Connections

- 1 Make sure that the machine and a computer are connected and the machine is turned on.
- 2 Insert the "Software DVD-ROM" into a computer.
- 3 Double-click the [OKI] icon on the desktop.
- 4 [Drivers] > [PS] > Double-click [Installer for OSX].
- 5 Enter the administrator password, and then click [OK].
Follow the on-screen instructions to complete the installation.
- 6 Select [System Preferences] from the Apple menu.
- 7 Click [Printers & Scanners].
- 8 Click [+].
Select [Add Printer or Scanner...] when the menu is displayed.

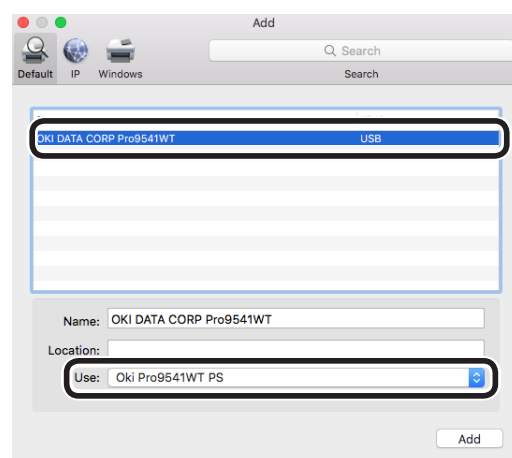


- 9 Click [Default].

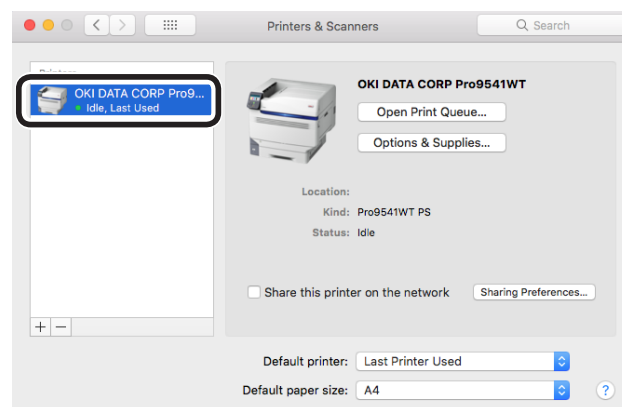
- 10 Select the machine, and then select [OKI DATA CORP Pro9541WT] in [Use].

Memo

- To change the name, enter a new name into [Name:].



- 11 Click [Add].
- 12 If the confirmation screen for optional equipment appears, click [OK].
- 13 Make sure that the machine is added to [Printers] and [Pro9541WT PS] is displayed for [Kind].



Note

- If [Pro9541WT PS] is not displayed for [Kind] correctly, click [-], delete the machine from [Printers], and then newly perform steps 8 to 12.

- 14 Click [Open Print Queue...].
- 15 Select [Print Test Page] from the [Printer] menu.

Adding Options

Use the following procedure to set the printer drivers if an optional expansion unit or built-in HDD have been mounted to the device.

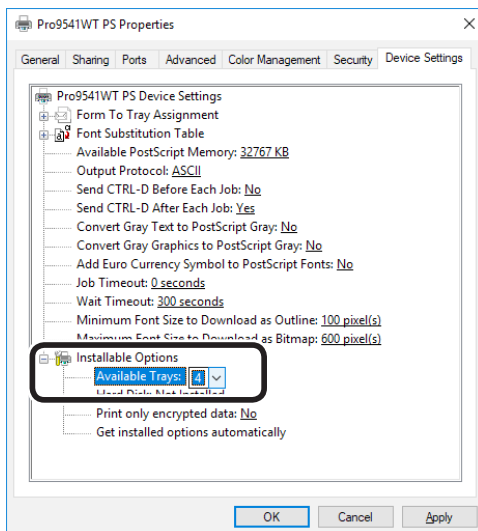
■ Windows PS Printer Driver

- 1 Click [Start], and select [Devices and Printers].
- 2 Right-click the Pro9541WT icon, and select [Printer properties].
- 3 Select the [Device Settings] tab.

□ Adding an Expansion Tray Unit

- 4 If using a network connection, click [Get installed options automatically] in [Installable Options].

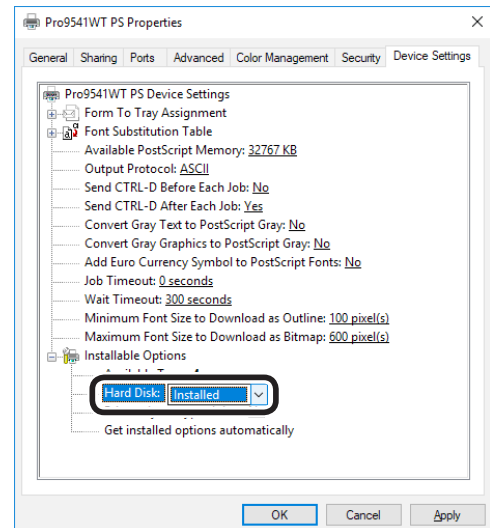
If using a USB connection, enter the number of trays minus the multi-purpose tray in [Available Trays]. For example, if three expansion trays are mounted, the usable trays are trays 1/2/3/4, so enter "4".



□ Adding the Built-in HDD

- 4 If using a network connection, click [Get installed options automatically] in [Installable Options].

If using a USB connection, select [Installed] in [Hard Disk].



- 5 Click [OK].

■ Mac OS X PS Printer Driver

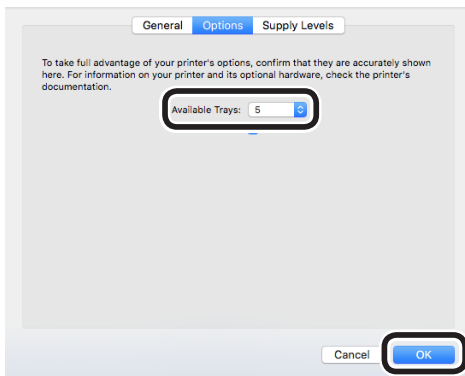
! Note

- This section describes the operations procedures for Mac OS X 10.8 unless otherwise specified. Screens and operations procedures may differ depending on the version.

- 1 Select [System Preferences] from the Apple menu.
- 2 Click [Print & Scan].
- 3 Select the printer, and click [Options and Supplies].
- 4 Select the [Driver] tab.

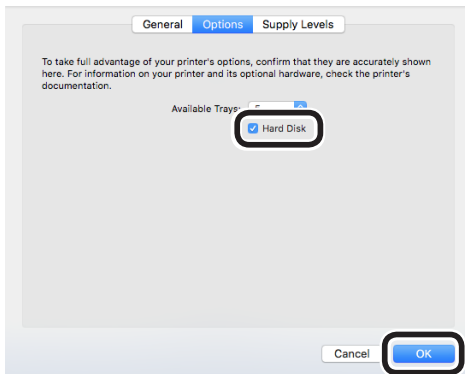
□ Adding an Expansion Tray Unit

- 5 Select the correct value for [Available Trays], and click [OK].



□ Adding the Built-in HDD

- 5 Enable the [Hard Disk] check box, and click [OK].



- 6 Click [OK].

■ Memo

1

Before use

2

Setting Up

3

Printing

4

Basic Device Operations

Appendix

Index

3. Printing

This chapter explains the methods from setting the paper in the device to actual printing.

● Paper

Usable Paper Types

For high-quality printing it is necessary to use paper that satisfies conditions regarding quality, thickness, paper finish, etc. If printing on paper not recommended by OKI, thoroughly test the print quality and paper traveling performance, etc., and check that there are no impediments before use.

If using a (paper) medium that is curled or wrinkled before printing, print quality and paper traveling performance cannot be assured.

1

Before Use

2

Setting Up

3

Printing

4

Basic Device Operations

Appendix

Index

■ Paper Types, Size, and Thickness

! Note

- Paper sources and output are restricted by paper type, size, and thickness.

Type	Size unit: mm (inches)		Thickness
Plain paper	A3Nobi	328×453	<h3>! Note</h3> <ul style="list-style-type: none"> If the paper size settings satisfy the following conditions, print speed will be slowed. Paper size: A6, A5; paper width 216mm (letter width) max.
	A3Wide	320×450	
	A3	297×420	
	A4 Wide	225×320	
	A4	210×297	
	A5	148×210	
	A6	105×148	
	B4	257×364	
	B5	182×257	
	B6	128×182	
	Letter	215.9×279.4 (8.5×11)	
	Legal (13 inch)	215.9×330.2 (8.5×13)	
	Legal (13.5 inch)	215.9×342.9 (8.5×13.5)	
	Legal (14 inch)	215.9×355.6 (8.5×14)	
	Executive	184.2×266.7 (7.25×10.5)	
	Tabloid Extra	304.8×457.2 (12×18)	
	Tabloid	279.4×431.8 (11×17)	
	Statement	139.7×215.9 (5.5×8.5)	
	13×18 inch	330.2×457.2	
	16K (184×260mm)	184×260	
16K (195×270mm)	195×270		
16K (197×273mm)	197×273		
8K (260×368mm)	260×368		
8K (270×390mm)	270×390		
8K (273×394mm)	273×394		
Custom	Width 64 to 330 Length 89 to 1321	GSM paper weight 52-360g/m ² (ream weight 45-309kg)	
Partially printed paper	Equivalent to plain paper.		GSM paper weight 52-360g/m ² (ream weight 45-309kg)
Color paper	Equivalent to plain paper.		GSM paper weight 52-360g/m ² (ream weight 45-309kg)
Transparency	A4	0.1 to 0.125mm	
	Letter		

■ Setting the Paper Weight

Set the paper weight according to the ream weight of the paper to be used.

This step is not required for Media Weight (Auto), but in case of paper jam or decrease in printing quality, manual setting is recommended.

Media Weight	Ream weight
Ultra Light	14lb ≤ Media Weight < 17lb 52g/m ² ≤ Media Weight < 64g/m ² 45kg ≤ Media Weight < 55kg
Light	17lb ≤ Media Weight ≤ 18lb 64g/m ² ≤ Media Weight ≤ 68g/m ² 55kg ≤ Media Weight ≤ 59kg
Medium Light	18lb < Media Weight ≤ 22lb 68g/m ² < Media Weight ≤ 83g/m ² 59kg < Media Weight ≤ 71kg
Medium	22lb < Media Weight < 28lb 83g/m ² < Media Weight < 105g/m ² 71kg < Media Weight < 90kg
Medium Heavy	28lb ≤ Media Weight ≤ 32lb 105g/m ² ≤ Media Weight ≤ 120g/m ² 90kg ≤ Media Weight ≤ 103kg
Heavy	32lb < Media Weight ≤ 34lb 120g/m ² < Media Weight ≤ 128g/m ² 103kg < Media Weight ≤ 110kg
Ultra Heavy1	34lb < Media Weight ≤ 50lb 128g/m ² < Media Weight ≤ 188g/m ² 110kg < Media Weight ≤ 162kg
Ultra Heavy2	50lb < Media Weight ≤ 57lb 188g/m ² < Media Weight ≤ 216g/m ² 162kg < Media Weight ≤ 186kg
Ultra Heavy3	57lb < Media Weight ≤ 68lb 216g/m ² < Media Weight ≤ 256g/m ² 186kg < Media Weight ≤ 220kg
Ultra Heavy4	68lb < Media Weight ≤ 85lb 256g/m ² < Media Weight ≤ 320g/m ² 220kg < Media Weight ≤ 275kg
Ultra Heavy5	85lb < Media Weight ≤ 96lb 320g/m ² < Media Weight ≤ 360g/m ² 275kg < Media Weight ≤ 310kg

*: Manual paper weight setting is recommended when using media of Ultra Light or Ultra Heavy5.

Paper Feed and Output Methods Selectable for Each Paper type

O: Usable

X: Not usable

Type	Size	Thickness	Settable tray			Output bin	
			Multi-purpose tray	Tray 1	Trays 2 to 5 (Optional)	Face-up	Face-down
Plain paper	A3Nobi, A3Wide, A3, A4, A5, A6, B4, B5, B6, B6 Half, Letter, Legal13, Legal13.5, Legal14, Executive	GSM 52 to 320 g/m ²	O	O	O	O	O
	Tabloid Extra, Tabloid, Statement, 16K (184x260mm), 16K (195x270mm), 16K (197x273mm), 8K (260x368mm), 8K (270x390mm), 8K (273x394mm), 13"×18"* ¹	GSM larger than 320 up to 360g/m ² max.	O	X	X	O	X
	Custom (Width 90 to 330mm, length 147 to 457mm)	GSM 52 to 320 g/m ²	O	O	O	O	O
	Custom (Width 64mm min., less than 90mm; length greater than 457mm to 1321mm max.)	GSM 52 to 320 g/m ²	O	X	X	O	X
	Custom (Width 64 to 330mm, length 89 to 1321mm)	GSM larger than 320 up to 360g/m ² max.	O	X	X	O	X
Transparency* ²	A4, Letter	-	O	O	X	O	X

*1: Use the printer control panel to set the paper size of the tray used to [Custom], and set [X Dimension] and [Y Dimension] to the values shown in the table below. Use the printer drivers to select the values from the table below.

Paper Size	Device Setup		Setting the printer driver [Paper size]
	Paper width (mm)	Paper length (mm)	
13"×18"	330	457	13×18in

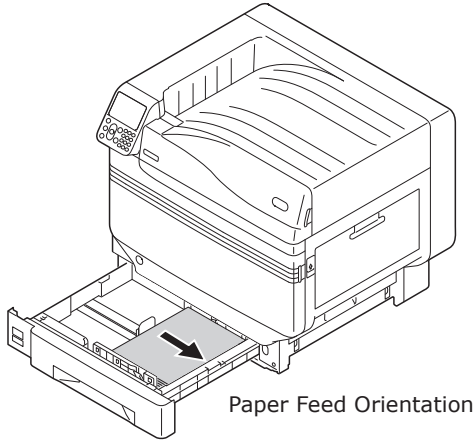
*2: Print speed is slower for transparencies.



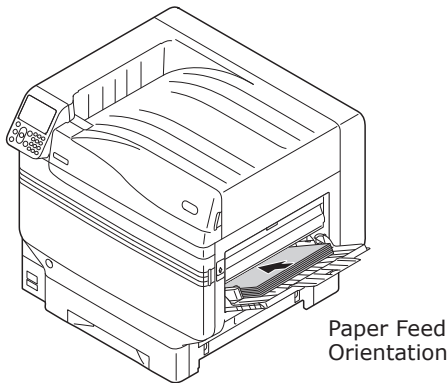
- If setting paper in the tray horizontally (☞), print speed will be slower than if set vertically (☞).
- Printing will be slower if the paper size set is A6 or A5 size, or has a smaller width than 216mm.

☐ (Landscape) and ☐ (Portrait) Icons

☐ icon describes placing the paper vertically as viewed from the front of the printer. (Paper is fed horizontally.)

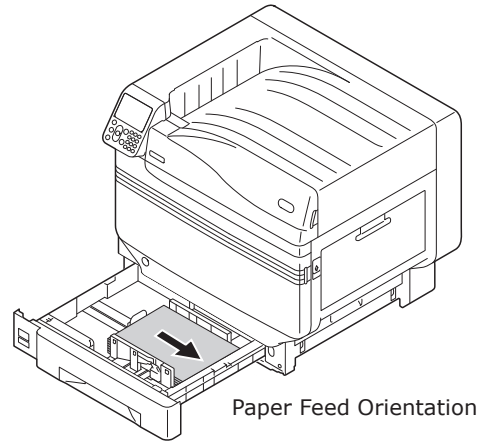


Trays

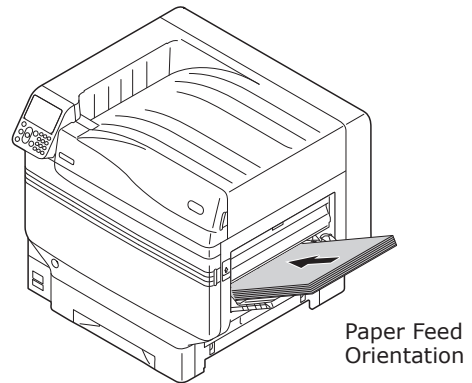


Multi-Purpose Tray

☐ icon describes placing the paper horizontally as viewed from the front of the printer. (Paper is fed vertically.)



Trays



Multi-Purpose Tray

Paper of the following sizes can be set either horizontally or vertically.

- The three types of A4, A5, B5, and Letter 16K, and A4 wide

● Printing from Trays

With the exception of some paper sizes, the printer automatically detects the size of paper set in trays 1 to 5*. Further, only the width of the paper size is automatically detected.

*: Trays 2 to 5 are optional.

Memo

- The printer does not automatically detect the following paper sizes.
 - A3NOBI, tabloid extra, A3WIDE, 13x18"
 - A5, A6
 - legal13.5, legal14
 - custom

If the printer does not detect automatically, use the control panel to set the paper size. For details, see "Setting Paper Using the Control Panel" (P.84).

- Set 13x18" as custom size.

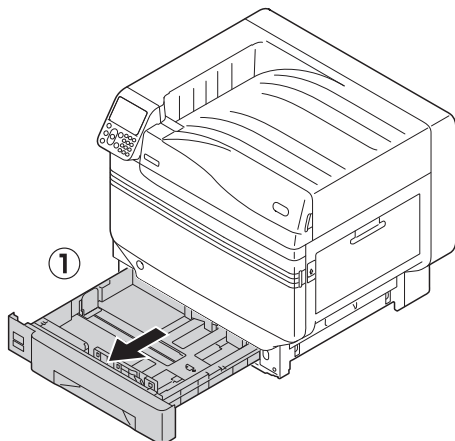
Setting Paper in Trays 1 to 5

This section explains how to set paper in tray 1 or trays 2/3/4/5.

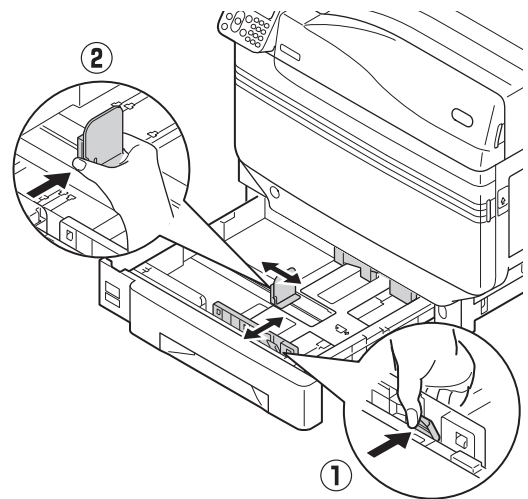
Memo

- In this section, setting paper in tray 1 is used as an example. Set trays 2 to 5 using the same procedure.

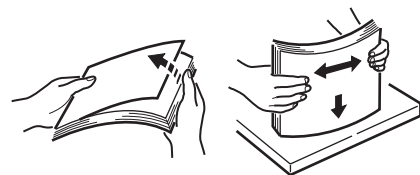
1 Pull out the tray 1 paper cassette (①).



2 Slide the paper guide (①) and paper stopper (②) to align to the size of the paper that has been set.



3 Thoroughly sort the paper. Carefully align the ends of the paper horizontally.



1 Before Use

2 Setting Up

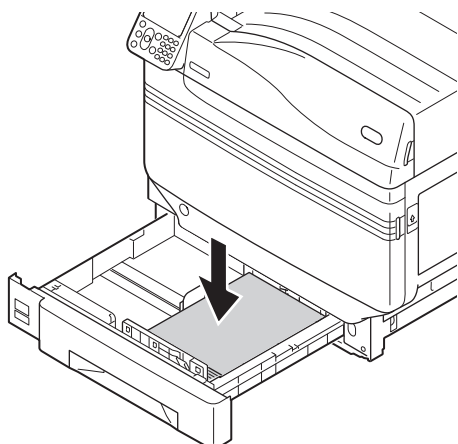
3 Printing

4 Basic Device Operations

Appendix

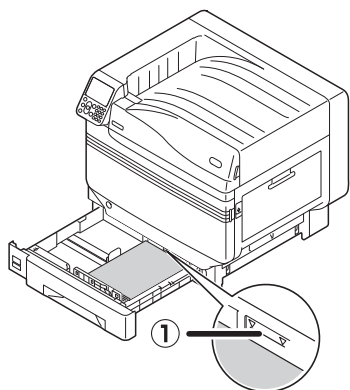
Index

4 Set the paper with the print surface face-down.



! Note

- Do not exceed the "▽" symbol (1) on the paper guide when setting the paper.

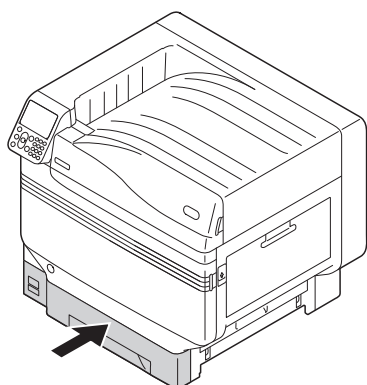


Memo

- Set so there is no gap between the paper and the paper guide or paper stopper.

5 Use the paper guide to secure the paper.

6 Return the paper cassette to the tray.



Printing from Trays

Open the file to be printed on the PC, and select [Paper Size], [Paper Source], and [Media Weight] to print via the paper driver.

This section explains how to print using "Tray 1" or "Auto" from the following printer drivers.

- Windows PS printer driver
- Mac OS X printer driver (P.82)

Further, this explanation uses "WordPad" for Windows as the application used. For Mac OS X, the example uses "TextEdit".

Reference

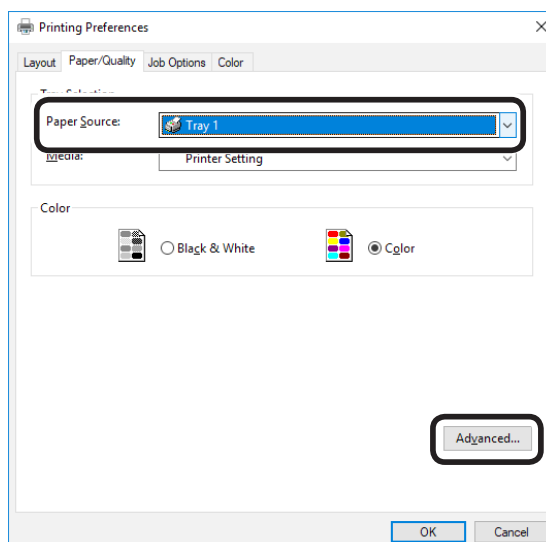
- For how to install the printer drivers, see ["Connecting the PC" \(P.55\)](#).
- For how to print from the multi-purpose tray, see ["Printing from the Multi-Purpose Tray" \(P.84\)](#).

Memo

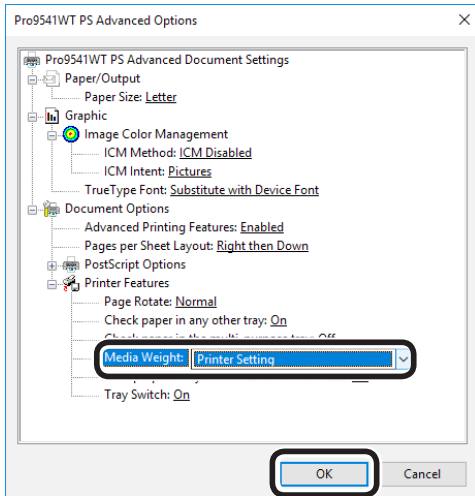
- Select [Auto] in [Paper Source] to automatically select the tray holding the designated paper.

■ Using Windows PS Printer Driver

- Open the file to be printed using WordPad.
- Click [Page Setup] in the [File] menu.
- Select the paper size and print orientation, and click [OK].
- Click [Print] in the [File] menu.
- Click [Advanced] (or [Preferences]).
- Use [Paper Source] in the [Paper/Quality] tab to select the tray to be used, and click [Advanced].



- 7 Select a suitable value from [Media Weight] in the "Advanced Options" screen, and then click [OK].



Memo

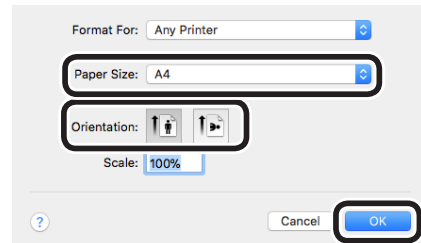
- Normally, select [Printer Setting]. Select [Printer Setting] to use the values set using the printer control panel.
- If outputting to the face-up stacker, open the printer face-up stacker, and select [Stacker (Face-Up)] in [Output Bin].

- 8 Click [OK] in the "Printing preferences" screen.

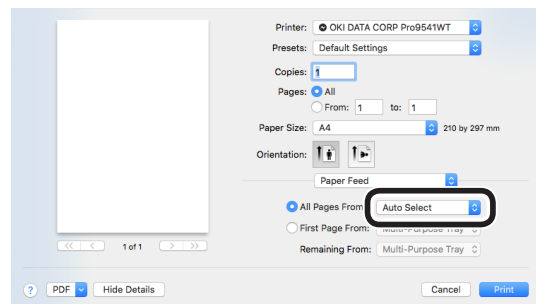
- 9 Click [Print] in the "Print" screen to print.

■ Using Mac OS X Printer Driver

- 1 Open the file to be printed using TextEdit.
- 2 Click [Page Setup] in the [File] menu.
- 3 Select the paper size and print orientation using the page setup dialog box, and click [OK].

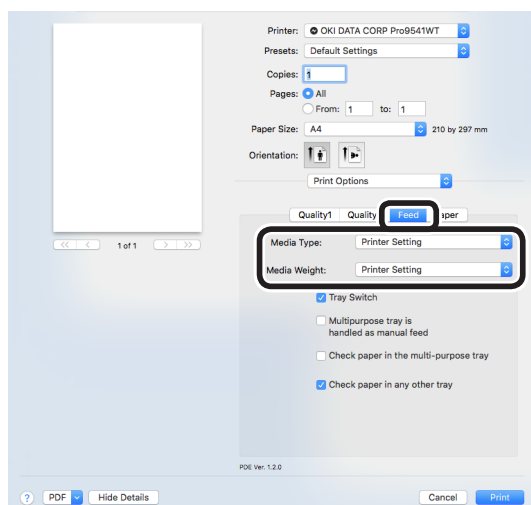


- 4 Select [Print] in the [File] menu.
- 5 Select [Paper Feed] in the print dialog box.
- 6 Check that [Auto Select] has been selected.



- 7 Select [Print Options] using the print dialog box.

- 8 Click the [Feed] tab in the printer setup panel, and select [Media Type] and [Media Weight].



Memo

- Normally, select [Printer Setting]. Select [Printer Setting] to use the values set using the printer control panel.

- 9 Click [Print] to print.

1

Before Use

2

Setting Up

3

Printing

4

Basic Device Operations

Appendix

Index

● Printing from the Multi-Purpose Tray

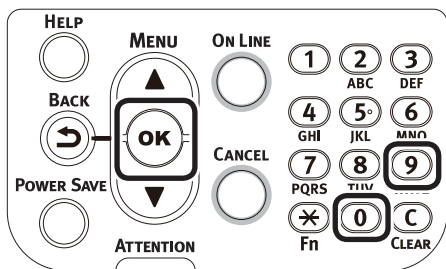
1 Before Use
2 Setting Up
3 Printing
4 Basic Device Operations
Appendix
Index

Setting Paper in the Multi-Purpose Tray

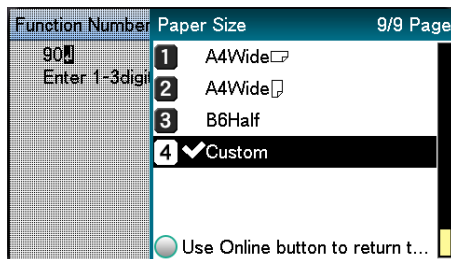
Setting Paper Using the Control Panel

If the paper size is "Custom Size", use the control panel to set the paper size.

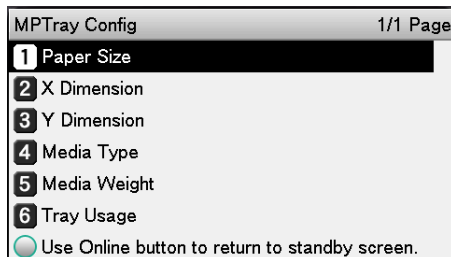
- 1 Press the [Fn] key. The numerical values input screen will be displayed.
- 2 Press [9], [0], and click the [OK] button.



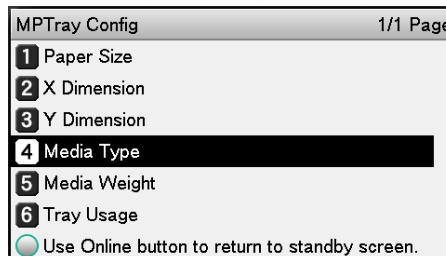
- 3 Press the scroll buttons ▲▼ to select the size of the paper that has been set, and press the [OK] button.



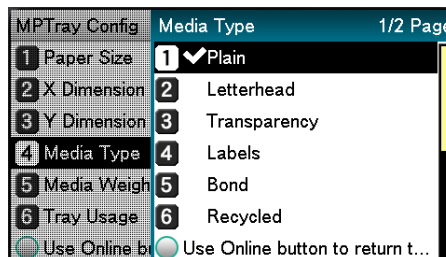
- 4 Press the [BACK] button to return to the previous screen.



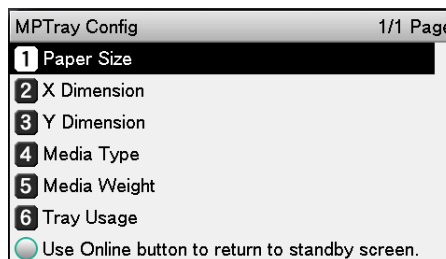
- 5 Select [Media Type], and press the [OK] button.



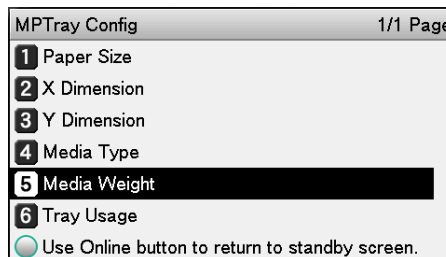
- 6 Press the scroll buttons ▲▼ to select the type of paper that has been set, and click the [OK] button.



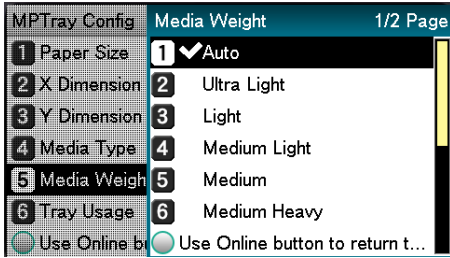
- 7 Press the [BACK] button to return to the previous screen.



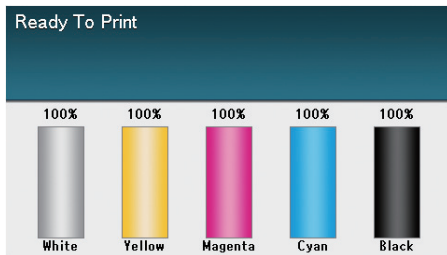
- 8 Select [Media Weight], and press the [OK] button.



9 Press the scroll buttons ▲▼ to select the size of the paper that has been set, and press the [OK] button.



10 Press the [BACK] button several times to return to the standby screen.



Memo

- Press the [CANCEL] button to return to the standby screen.

Setting Paper

The multi-purpose tray prints to the face-up side of the paper that has been set.

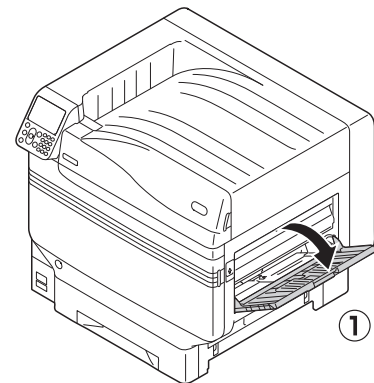
Note

- Do not collate and set paper of different sizes, types, and thicknesses at the same time.

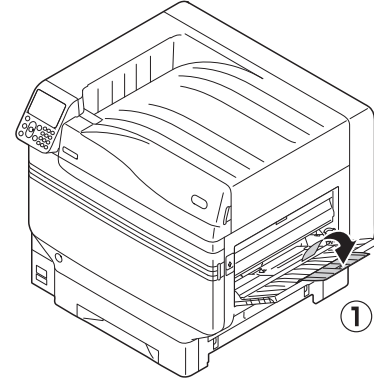
Memo

- If setting custom size paper, it is necessary to register the size. For details, see "Advanced".

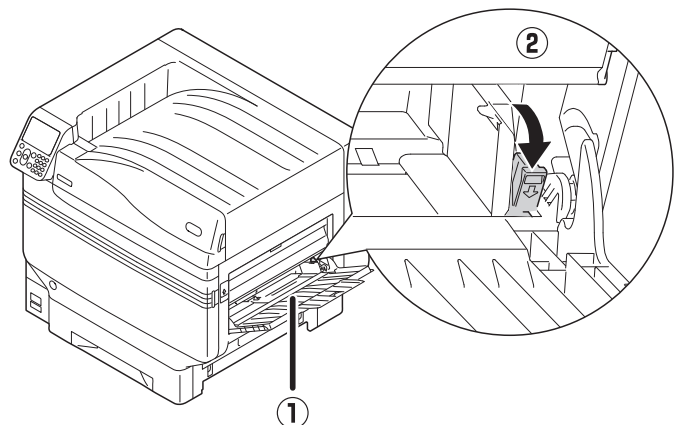
1 Open the multi-purpose tray (1) towards you.



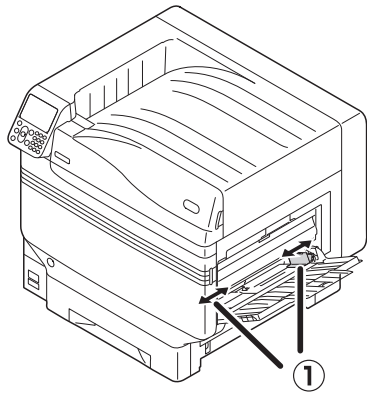
2 Open the auxiliary supporter (1).



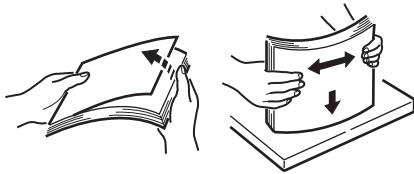
3 Pull the setting lever (2) on the right of the paper supporter (1) towards you.



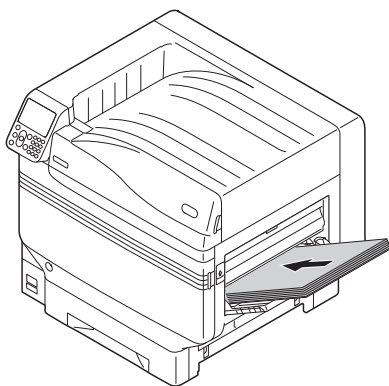
4 Adjust the paper guide (①) to the width of the paper that has been set.



5 Thoroughly sort the paper. Carefully align the ends of the paper horizontally.

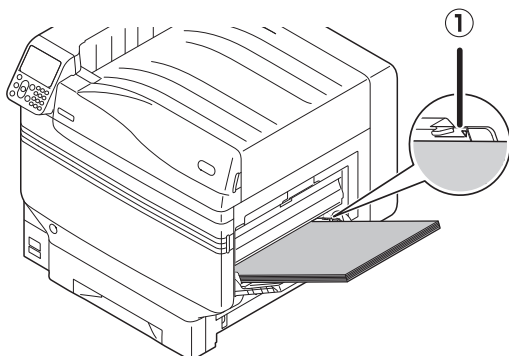


6 Place the print side face-up, and set the paper.

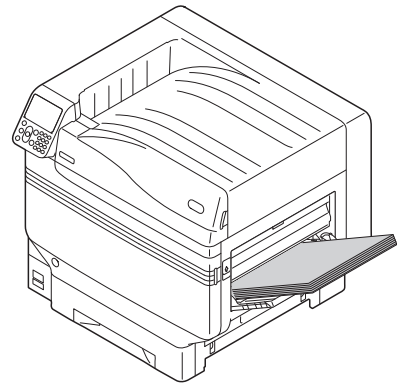


! Note

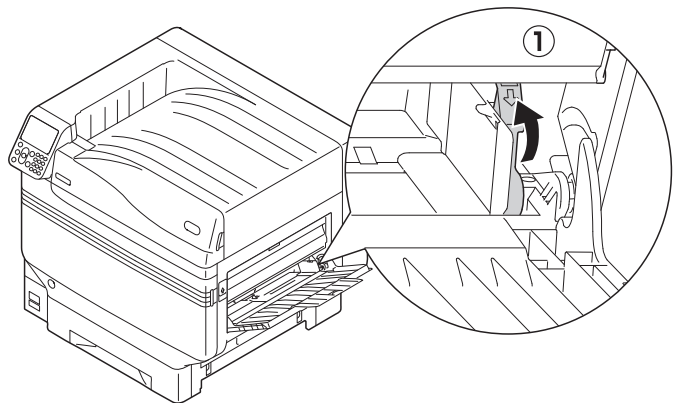
- Do not set the paper beyond the MP paper guide (①).



7 Adjust the paper guide to fit the width of the paper that has been set.



8 Release and return the setting lever (①) to its original position.



! Note

- When adding paper, remove the paper in the multi-purpose tray, and align the additional paper top, bottom, left, and right before setting.
- Do not take out or add paper while printing.
- Do not place anything other than the paper to be printed on the multi-purpose tray, apply pressure from above, or apply unnecessary force.
- The paper supporter will automatically lift up when the paper is set in place. If the paper supporter gets in your way of setting paper in the tray, place paper after opening the toner replacement cover, and then close the cover when it is set in place.

1

Before Use

2

Setting Up

3

Printing

4

Basic Device Operations

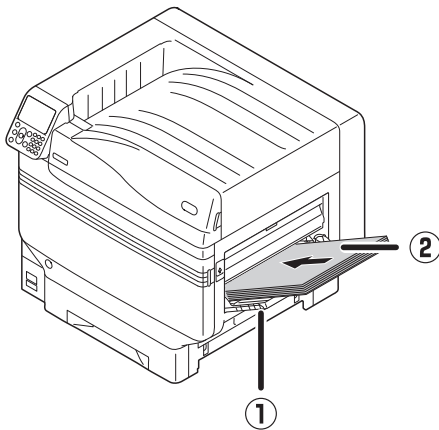
Appendix

Index

Printing from the Multi-Purpose Tray

Print to the paper set in the multi-purpose tray. The main operating procedures are described below.

- 1 Set the paper (2) in the multi-purpose tray (1).



- 2 Open the file to be printed.
- 3 Specify the [Multi-Purpose Tray] using the printer drivers to print.

This section explains how to print using the multi-purpose tray from the printer drivers.

- Windows PS printer driver
- Mac OS X printer driver (P.89)

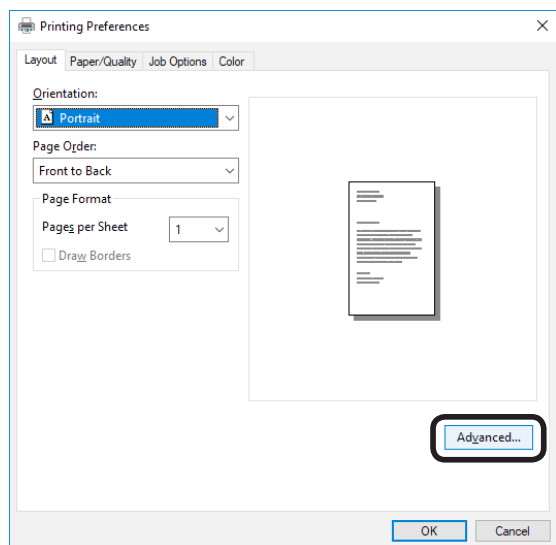
Further, this explanation uses "WordPad" for Windows as the application used. For Mac OS X, the example uses "TextEdit".

Reference

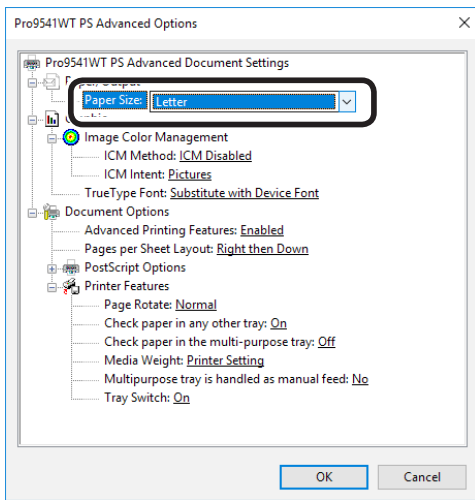
- For how to install the printer drivers, see "Connecting the PC" (P.55).

■ Using Windows PS Printer Driver

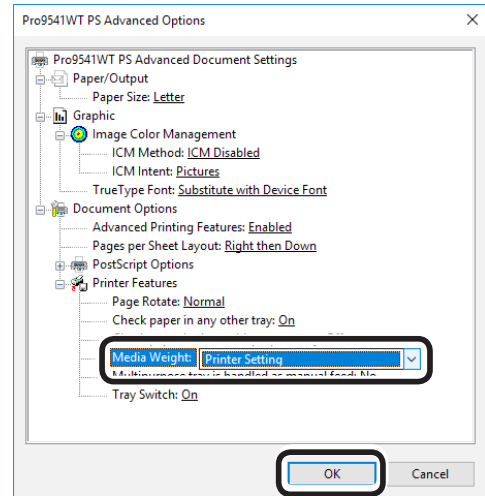
- 1 Open the file to be printed using WordPad.
- 2 Click [Page Setup] in the [File] menu.
- 3 Select the paper size and print orientation, and click [OK].
- 4 Click [Print] in the [File] menu.
- 5 Click [Preferences].
- 6 Click [Advanced] in the [Layout] tab.



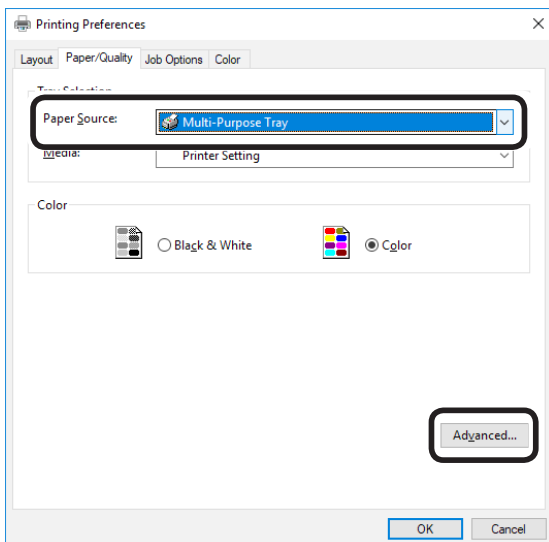
7 Select [Paper Size] from [Paper/Output] in the "Advanced Options" tab.



9 Select a suitable value from [Media Weight] in the "Advanced Options" screen, and then click [OK].



8 Select [Multi-Purpose Tray] in [Paper Source] in the [Paper/Quality] tab, and click [Advanced].



Memo

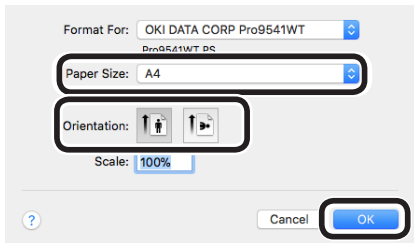
- Normally, select [Auto]. Select [Auto] to use the value set using the printer control panel.
- To print pages individually, set [Multipurpose tray is handled as manual feed] to [Yes].

10 Click [OK] in the "Printing Preferences" screen.

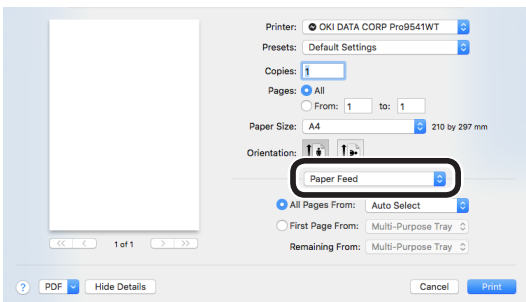
11 Click [Print] in the "Print" screen to print.

■ Using Mac OS X Printer Driver

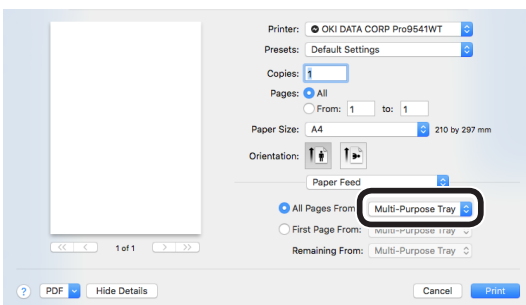
- 1 Open the file to be printed using TextEdit.
- 2 Click [Page Setup] in the [File] menu.
- 3 Select the paper size and print orientation using the page setup dialog box, and click [OK].



- 4 Select [Print] in the [File] menu.
- 5 Select [Paper Feed] in the print dialog box.



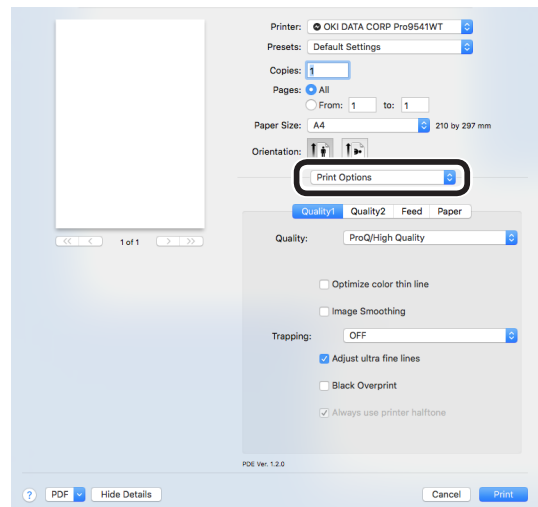
- 6 Select [Multi-Purpose Tray] in [All Pages From].



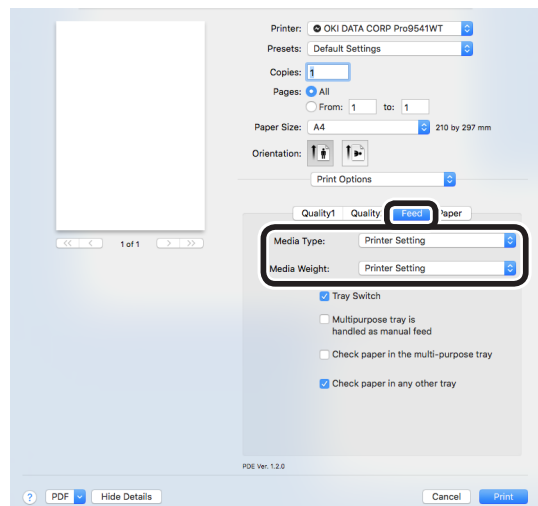
Memo

- Normally, select [Auto]. Select [Auto] to use the value set using the printer control panel.

- 7 Select [Print Options] using the print dialog box.



- 8 Click the [Feed] tab in the printer setup panel, and select [Media Type] and [Media Weight].



- 9 Click [Print] to print.

1 Before Use

2 Setting up

3 Printing

4 Basic Device Operations

Appendix

Index

● Outputting Paper

The printer outputs the paper either to the face-down stacker or the face-up stacker.
The face-down stacker can accumulate approx. 620 sheets of GSM 64g/m² paper.
The face-up stacker can accumulate approx. 300 sheets of GSM 64g/m² paper.

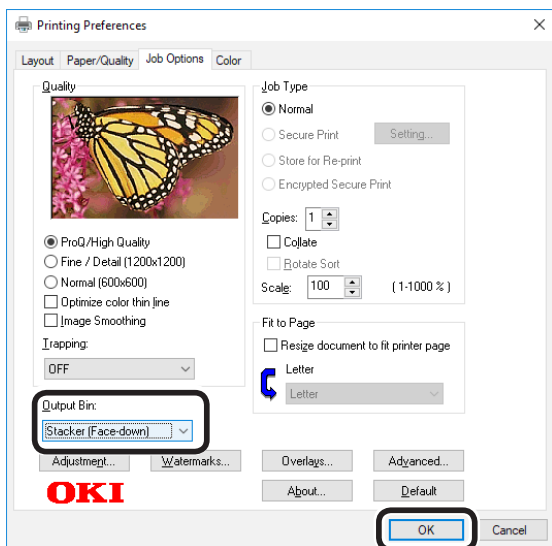
Using the Face-Down Stacker (Print Face Is Down)

The paper is output with the print side face-down. Papers are stacked in the order in which they are printed.

To output from the face-down stacker, specify the face-down stacker in "Output Bin" using the printer drivers.

■ Using Windows PS Printer Driver

- 1 Open the file to be printed.
- 2 Click [Preferences] in the "Print" screen.
- 3 Select [Stacker (Face-down)] in [Output Bin] in the [Job Options] tab, and click [OK].



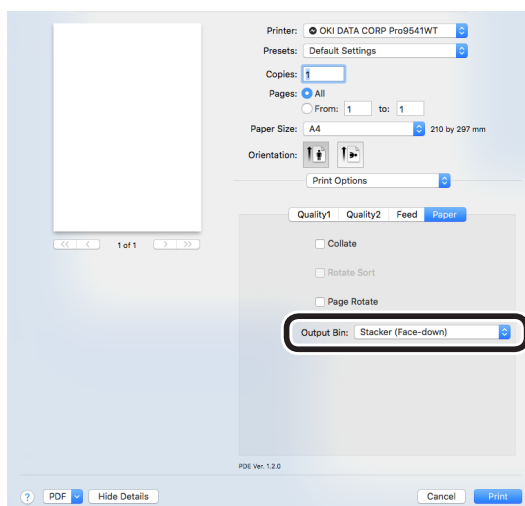
- 4 Implement printing.

■ Using Mac OS X Printer Driver

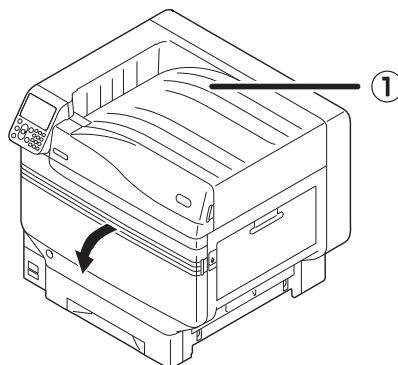


- This section uses "TextEdit" as an example.

- 1 Open the file to be printed.
- 2 Select [Print] in the [File] menu.
- 3 Select [Print Options] using the print dialog box.
- 4 Select [Stacker (Face-down)] in [Output Bin] in the [Paper] tab.



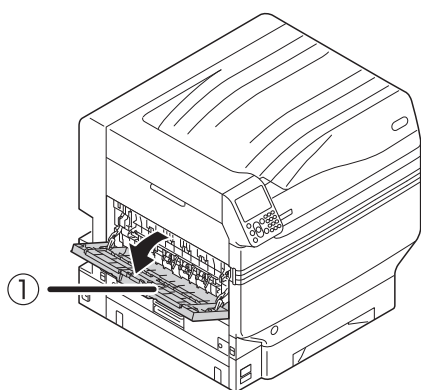
- 5 Click [Print] to print.
- 6 The printed paper will be output to the face-down stacker (output tray) (1).



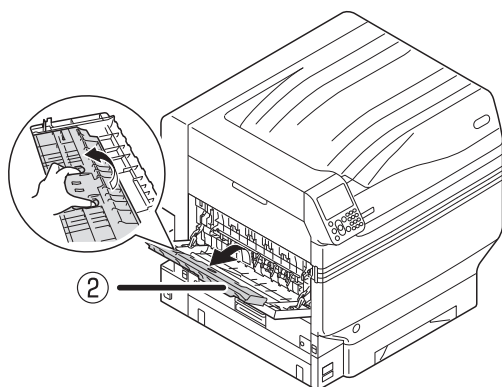
Using the Face-Up Stacker (Print Face Is Up)

The paper is output with the print side face-up. Paper is stacked in the reverse order from printing. To output from the face-up staker, specify the face-up staker in "Output Bin" using the printer drivers.

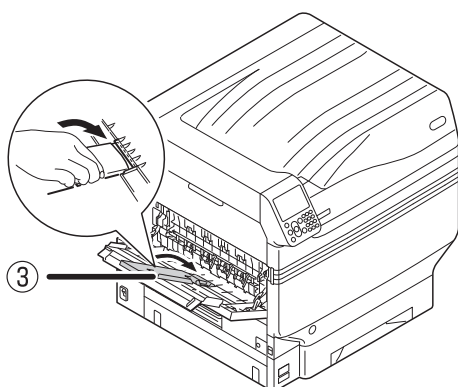
- 1 Open the face-up staker (①) on the left of the printer.



- 2 Open the paper supporter (②) as shown in the diagram.



- 3 Rotate the auxiliary supporter (③) in the direction of the arrow until its lock position.

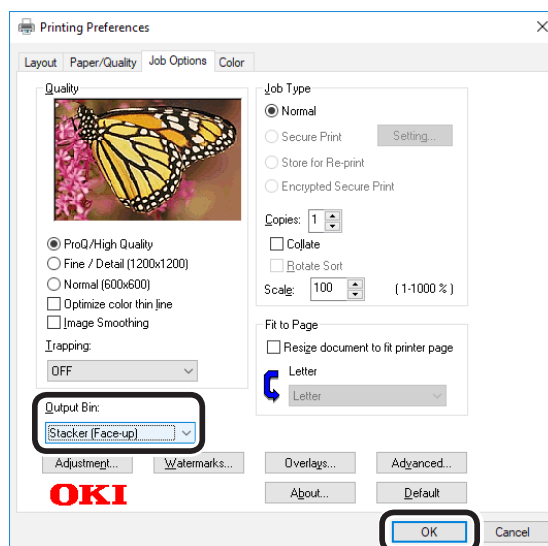


- 4 Open the file to be printed. Customers using Mac OS X go to "Using Mac OS X Printer Driver" Step 5.

- 5 Click [Advanced] in the "Print" screen.

■ Using Windows PS Printer Driver

- 6 Select [Stacker (Face-up)] in [Output Bin] in [Job Options], and click [OK].



- 7 Implement printing.

■ Using Mac OS X Printer Driver

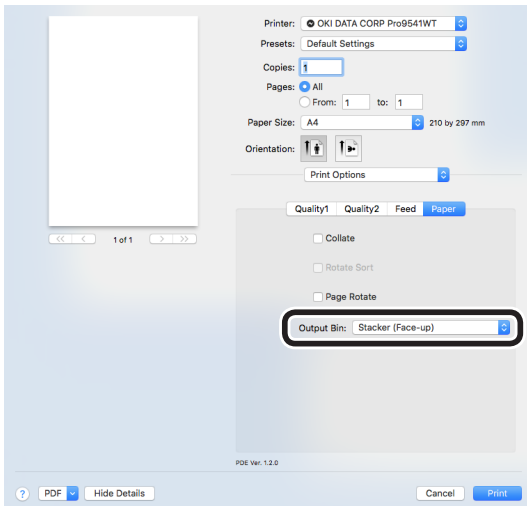


• This section uses "TextEdit" as an example.

5 Select [Print] in the [File] menu.

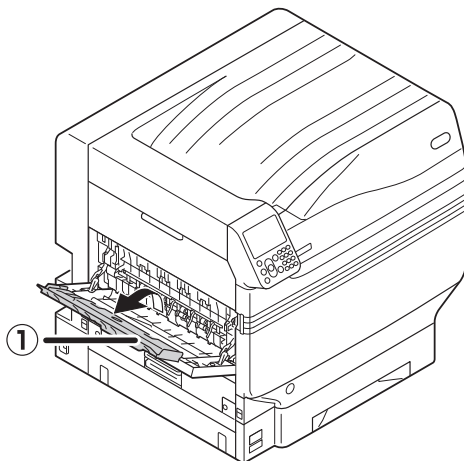
6 Select [Print Options] using the print dialog box.

7 Select [Stacker (Face-up)] in [Output Bin] in the [Paper] tab.



8 Click [Print] to print.

Printed paper is output to the face-up stacker (①).



4. Basic Device Operations

This chapter explains how to set power save mode, which reduces device power consumption, how to check print quantities, the service life of consumables, remaining maintenance unit quantities and service life, and how to cancel printing.

You can set the printer to enter power save mode from the standby screen. Further, you can also set the printer to enter sleep mode from power save mode.

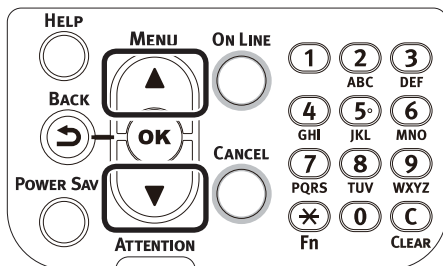
● Setting Power Save Mode

Setting Power Save Mode

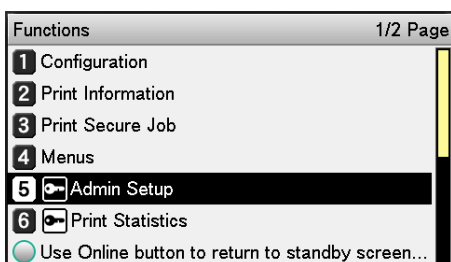
The device can be set to enter power save mode from standby mode when no printing or data has been received after a fixed period of time.

The default factory setting is to enable power save, so implementing this procedure is unnecessary.

- 1 Press the scroll button ▲ or ▼.



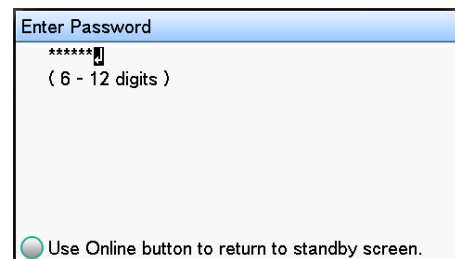
- 2 Select [Admin Setup], and press the [OK] button.



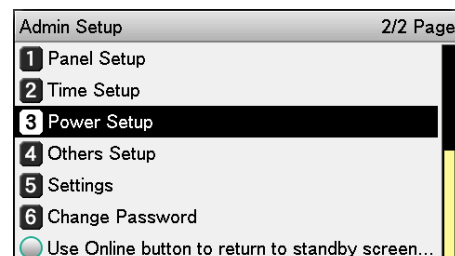
- 3 Enter the administrator password, and press the [OK] button.

Memo

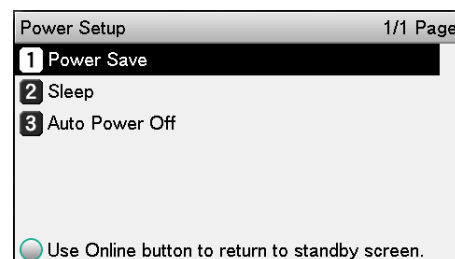
- In the default factory settings, the administrator password is [aaaaaa].



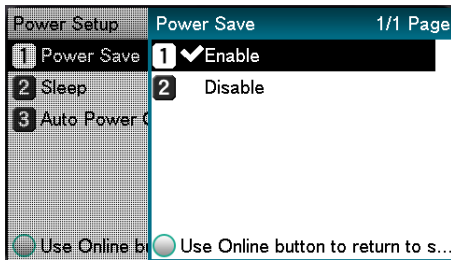
- 4 Select [Power Setup], and press the [OK] button.



- 5 Select [Power Save], and press the [OK] button.



6 Select [Enable], and press the [OK] button.



7 Press the [ON LINE] button to return to the standby screen.



Memo

- Other items can also continue to be set before pressing the [ON LINE] button.

Setting the time before the printer enters power save mode

You can set the time until power save mode is entered.

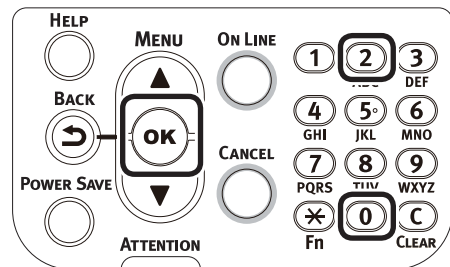
The default factory setting is "1 min."

Lengthening the time until power save mode is entered may shorten the time until printing starts.

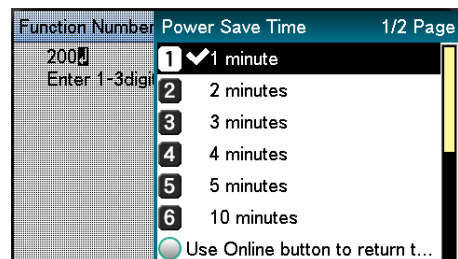
1 Press the [Fn] key.

The numerical values input screen will be displayed.

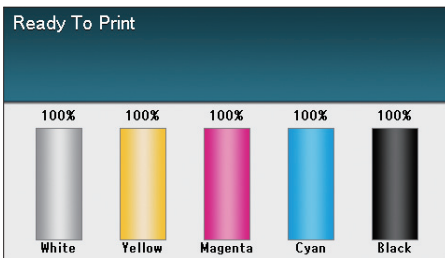
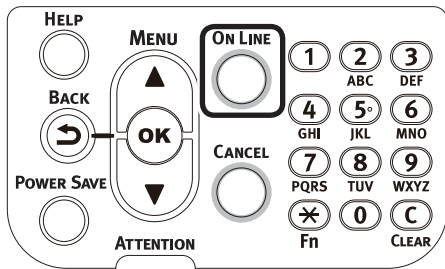
2 Enter [2], [0], [0], and press the [OK] button.



3 Select the time to be set, and press the [OK] button.



4 Press the [ON LINE] button to return to the standby screen.



Memo

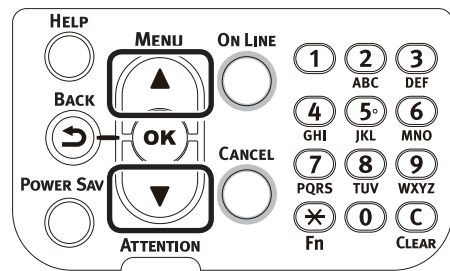
- The settable times are described below.
1 min., 2 mins., 3 mins., 4 mins., 5 mins., 10 mins., 15 mins., 30 mins., 60 mins.

Setting sleep mode

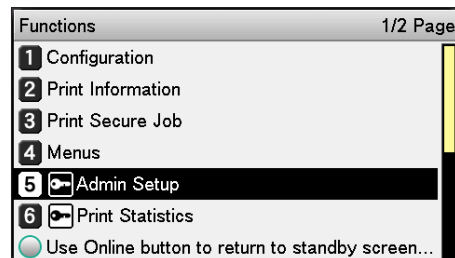
The device can be set to enter sleep mode from power save mode when no printing or data has been received after a fixed period of time.

The default factory setting is to enable sleep, so implementing this procedure is unnecessary.

1 Press the scroll button ▲ or ▼.



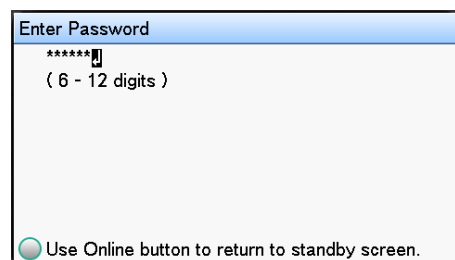
2 Select [Admin Setup], and press the [OK] button.



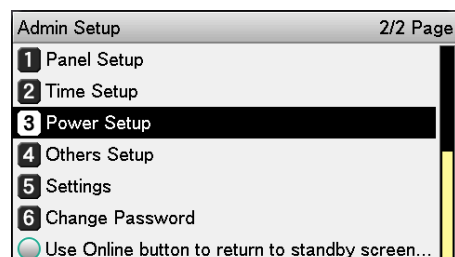
3 Enter the administrator password, and press the [OK] button.

Memo

- In the default factory settings, the administrator password is [aaaaaa].

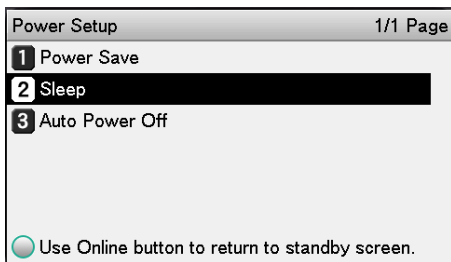


4 Select [Power Setup], and press the [OK] button.

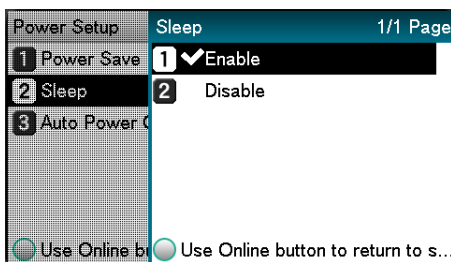


1 Before use
2 Setup
3 Printing
4 Basic Device Operations
Appendix
Index

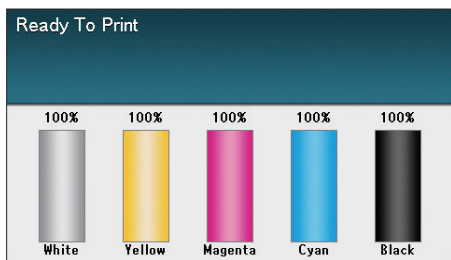
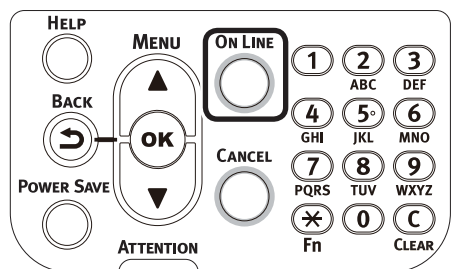
5 Select [Sleep], and press the [OK] button.



6 Select [Enable], and press the [OK] button.



7 Press the [ON LINE] button to return to the standby screen.



Memo

- Other items can also continue to be set before pressing the [ON LINE] button.

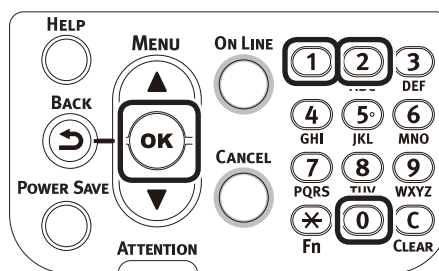
Setting the time before the printer enters sleep mode

You can set the time until sleep mode is entered. The default factory setting is "15 mins."

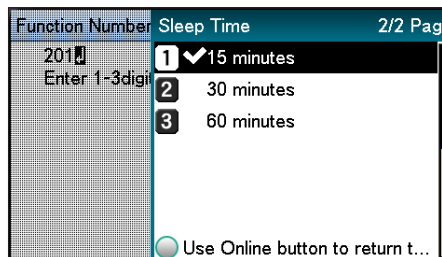
Lengthening the time until sleep mode is entered may shorten the time until printing starts.

1 Press the [Fn] key.
The numerical values input screen will be displayed.

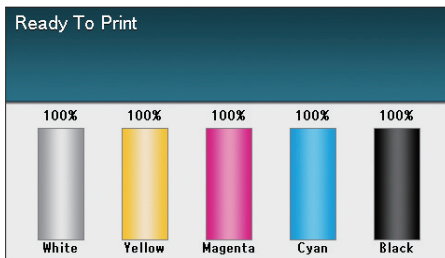
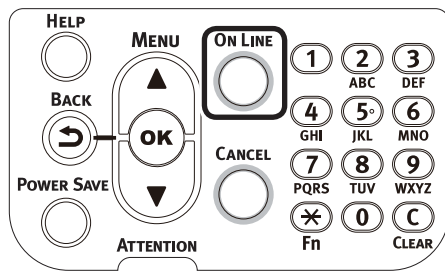
2 Enter [2], [0], [1], and press the [OK] button.



3 Select the time to be set, and press the [OK] button.



- 4** Press the [ON LINE] button to return to the standby screen.



Memo

- The settable times until sleep mode is entered are described below.
1 min., 2 mins., 3 mins., 4 mins., 5 mins., 10 mins., 15 mins., 30 mins., 60 mins.

1

Before use

2

Setting Up

3

Printing

4

Basic Device Operations

Appendix

Index

Restrictions in sleep mode

This section explains the restrictions when the device is in sleep mode.

When the device is displaying an error, entering sleep mode may be disabled.

Printer driver utility restrictions

When the device enters sleep mode, the printer driver and utility functions are restricted as described below.

OS	Software name	Restrictions in sleep mode
Windows	Configuration Tool	Network settings for the Network Setting plug-in are disabled.
	Network Extension	Cannot connect to device.
	Driver installer	When connected to a network, the device options information cannot be acquired while installing the printer drivers.
Mac OS X	NIC Setup Tool	Printer searches and settings are disabled.
	Printer drivers	Printing is disabled when connected using EtherTalk. Connect to the device using either Bonjour (Rendezvous) protocols or LPD protocols (TCP/IP). For advanced setup methods, see either "Using Bonjour (Rendezvous)" (P.70) or "Adding Printers Using LPD (TCP/IP) Protocols" (P.105) .

When the device enters sleep mode, press the [POWER SAVE] button on the control panel to check that "Printing enabled" is displayed on the liquid crystal panel.

When "Printing enabled" is displayed, the restrictions described above do not apply.

1

Before use

2

Setting Up

3

Printing

4

Basic Device Operations

Appendix

Index

Network function restrictions

In sleep mode, the following restrictions apply to the network functions.

■ Sleep mode is disabled

In the following cases, the device cannot enter sleep mode.

- IPsec is enabled.
- A TCP connection has been established.
Example: A connection has been established using Telnet or FTP, etc.
After the period for entry to power save mode has elapsed in energy save mode, the printer will enter sleep mode when the connection is cut.

- E-mail receiving is enabled.



- To enable sleep mode, disable IPsec/E-mail.

■ Unable to print

While in sleep mode, printing using the following protocols is disabled.

- NBT
- EtherTalk*
- WSD Print

*: For Mac OS X, printing while in sleep mode is possible if connected using Bonjour (Rendezvous) protocols or "LPD protocols (TCP/IP)".

For setup methods, see either "Using Bonjour (Rendezvous)" (P.70) or "Adding Printers Using LPD (TCP/IP) Protocols" (P.105).

■ Unable to search/setup

While in sleep mode, searches and settings using the following functions and protocols are disabled.

- PnP-X
- UPnP
- LLTD
- MIB*

*: Referencing using the parts of MIB (Get command) that are supported is possible in sleep mode.

■ Protocols with client functions do not operate

While in sleep mode, the following protocols with client functions do not operate.

- E-mail alert *¹
- SNMP Trap
- WINS *²

*1: The elapsed time while in sleep mode does not include the intervals between periodic communications times for e-mail alerts.

*2: The elapsed time while in sleep mode does not include the intervals between WINS refresh times.
WINS is not periodically refreshed while in sleep mode, so the names registered to the WINS server may be deleted.

■ Moving automatically from sleep mode to power save mode

In network environments with flows of large packet quantities, the device may move automatically from sleep mode to power save mode and respond.

Subsequently, if the period for moving to sleep mode elapses, sleep mode is entered automatically.

1

Before use

2

Setting up

3

Printing

4

Basic Device Operations

Appendix

Index

● Setup to Turn OFF the Power Supply Automatically

1 Before use
2 Setting Up
3 Printing
4 Basic Device Operations
Appendix
Index

Setting auto power OFF mode

The device can be set to enter OFF mode automatically when no printing or data has been received after a fixed period of time.

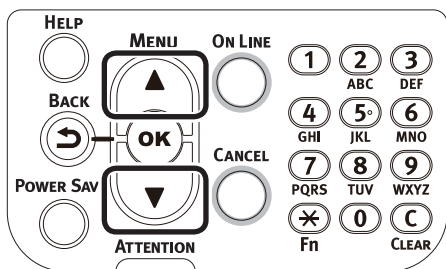
In the default factory settings, auto power OFF mode is set automatically. Set according to the conditions for entering OFF mode.

"Enable": Enters OFF mode automatically

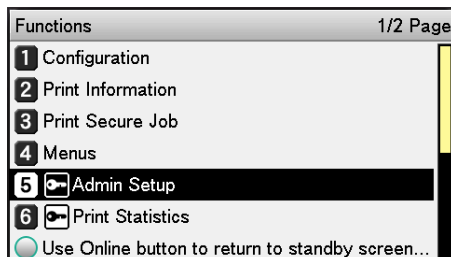
"Auto Config": Enters OFF mode when the set time has elapsed. If using a network connection, however, OFF mode is not entered even when the set time has elapsed.

"Disable": The power supply does not turn OFF automatically.

1 Press the scroll button ▲ or ▼.



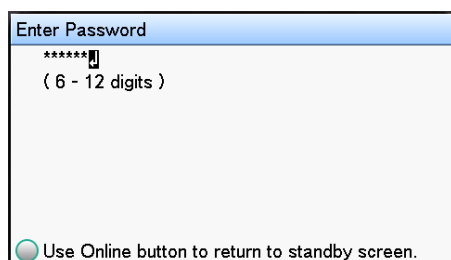
2 Select [Admin Setup], and press the [OK] button.



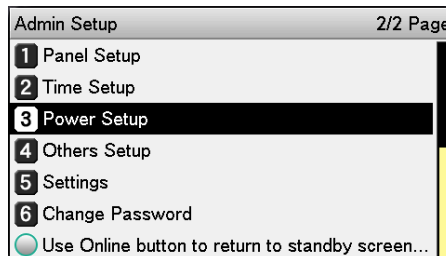
3 Enter the administrator password, and press the [OK] button.

Memo

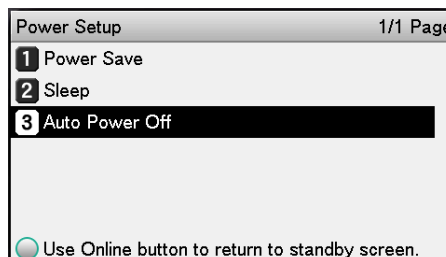
- In the default factory settings, the administrator password is [aaaaaa].



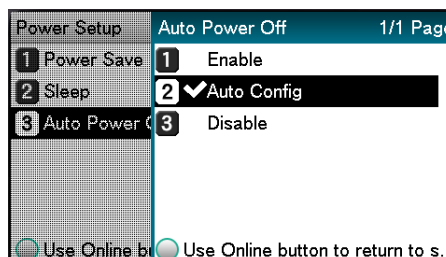
4 Select [Power Setup], and press the [OK] button.



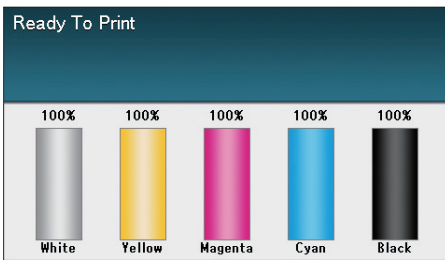
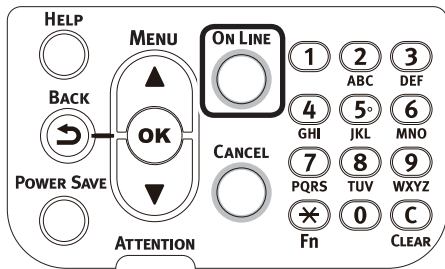
5 Select [Auto Power Off], and press the [OK] button.



6 Select [Enable] or [Auto Config], and press the [OK] button.



7 Press the [ON LINE] button to return to the standby screen.



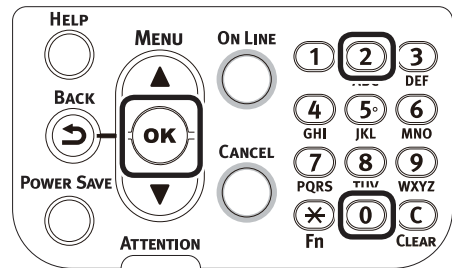
Memo

- Other items can also continue to be set before pressing the [ON LINE] button.

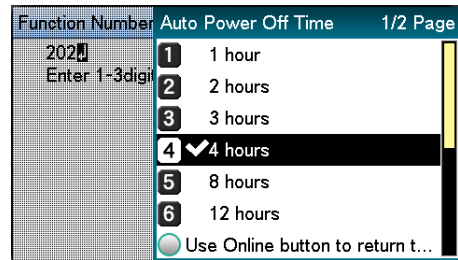
Setting the time before the printer enters Auto Power Off mode

You can set the time until OFF mode is entered. The default factory setting is "4 hours".

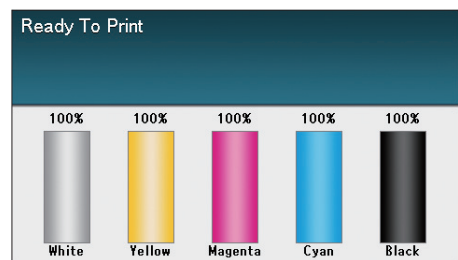
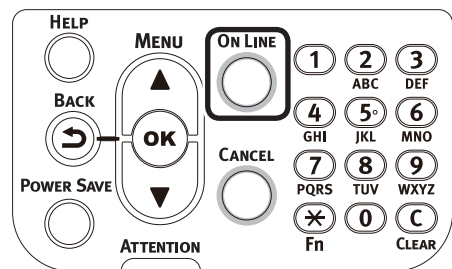
- 1 Press the [Fn] key.
The numerical values input screen will be displayed.
- 2 Enter [2], [0], [2], and press the [OK] button.



- 3 Select the time to be set, and press the [OK] button.



- 4 Press the [ON LINE] button to return to the standby screen.



Memo

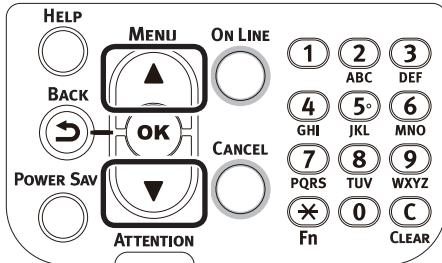
- The settable times are described below.
1 hour, 2 hours, 3 hours, 4 hours, 8 hours, 12 hours, 18 hours, 24 hours

● Checking print quantities

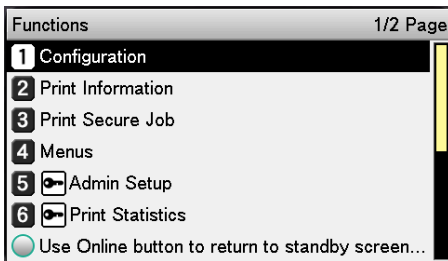
You can check the quantity of printed paper to date.

You can also check the quantities printed (fed) from each tray.

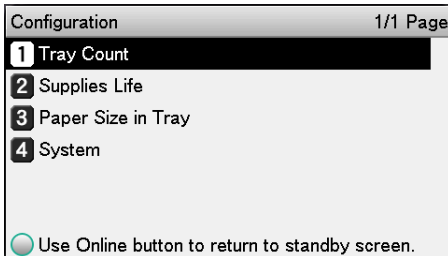
1 Press the scroll button ▲ or ▼.



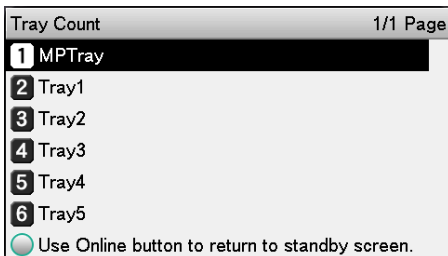
2 Select [Configuration], and press the [OK] button.



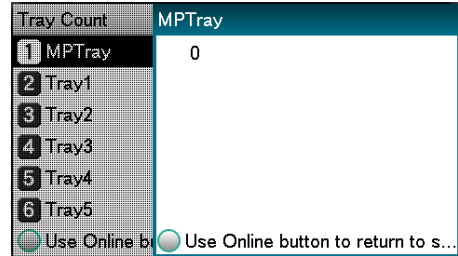
3 Select [Tray Count], and press the [OK] button.



4 Select the tray to be checked.

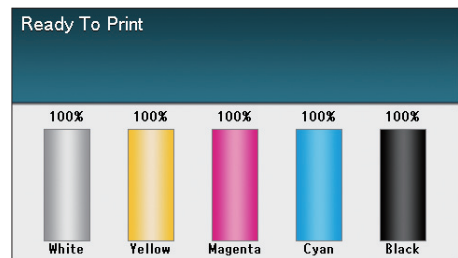
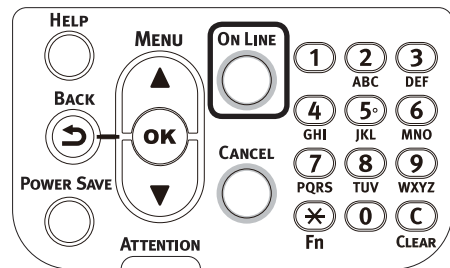


5 Press the [OK] button.



To continue checking other items, press the [BACK] button and return to 4.

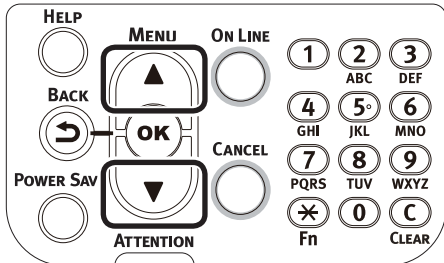
6 Press the [ON LINE] button to return to the standby screen.



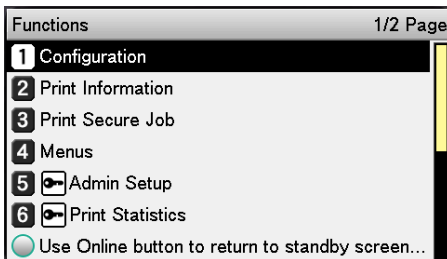
● Checking Consumables, and Remaining Maintenance Unit Quantities and Service Life

You can check the remaining quantities and service life of the toner, image drum, belt unit, fuser unit, and waste toner box.

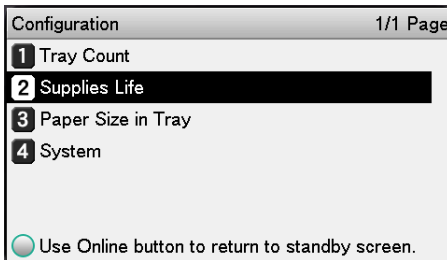
1 Press the scroll button ▲ or ▼.



2 Select [Configuration], and press the [OK] button.



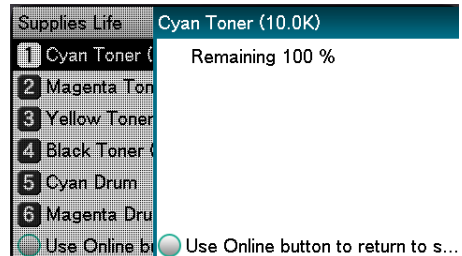
3 Select [Supplies Life], and press the [OK] button.



4 Select the consumable or maintenance unit (image drum, belt unit, fuser unit, or waste toner box) to be checked.

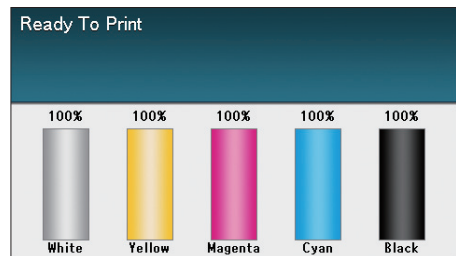
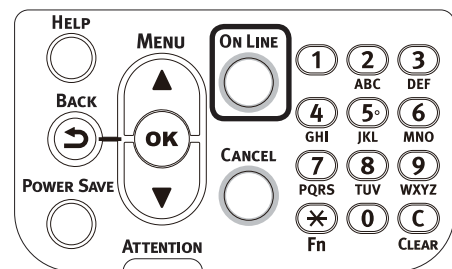


5 Press the [OK] button.



To continue checking other items, press the [BACK] button and return to 5.

6 Press the [ON LINE] button to return to the standby screen.



Memo

- The value to the right of the toner in the remaining consumables quantity screen changes depending on the type of toner cartridge installed. "10.0K" is displayed at the time of product purchase and when a standard toner cartridge is mounted. "24.0K" is displayed when a large-capacity toner cartridge is mounted.

1 Before use

2 Setup

3 Printing

4 Basic Device Operations

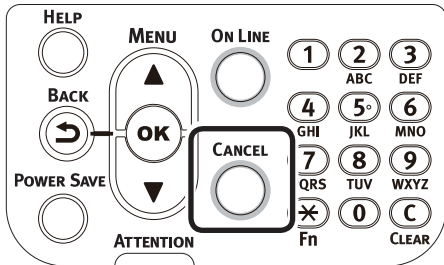
Appendix

Index

● Canceling Printing

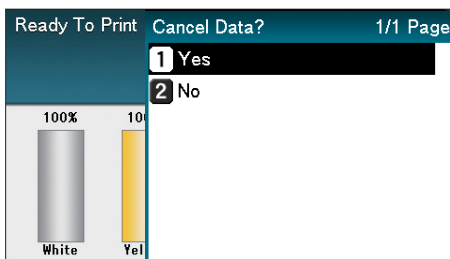
1 Before use

To cancel data while printing or during print preparation, press the [CANCEL] button on the control panel.



2 Setting Up

When the [CANCEL] button is pressed, the following screens will be displayed.



3 Printing

To cancel printing, select [Yes], and press the [OK] button.

To continue printing, select [No], and press the [OK] button.

If no operation is implemented within 3 mins. while this screen is displayed, the screen display will disappear and printing will continue.

4 Basic Device Operations

Appendix

Index

● Adding Printers Using LPD (TCP/IP) Protocols

With Mac OS X environments, you can connect printers using LPD protocols (TCP/IP).

Apple Talk cannot be used with Mac OS X 10.6 or later, so for network connections, connect the printer using Bonjour (Rendezvous) protocols or LPD protocols (TCP/IP).

Preparations

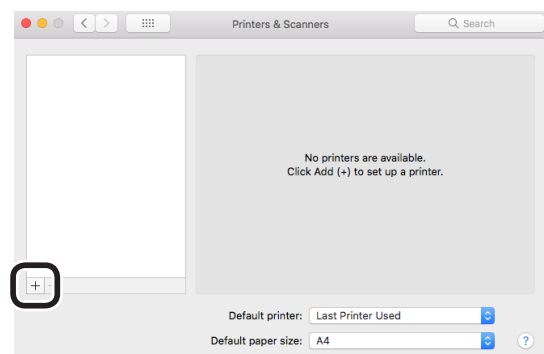
- 1 Check that the IP address, subnet mask, and router address, etc., have been set correctly for the desired Mac OS, and that you are connected to the network using LPD protocols (TCP/IP).
- 2 Download the PPD installer for Mac OS X for the printer to be connected from the homepage (<https://www.oki.com/printing/>), unzip and start the PPF installer, and then install PPD on the relevant Mac OS. This step is unnecessary if PPD is already installed.
- 3 Set the IP address, subnet mask, and gateway address, etc., on the printer to be connected. Make sure the printer is turned ON, and connected to the TCP/IP network environment.

Procedure for Adding Printers

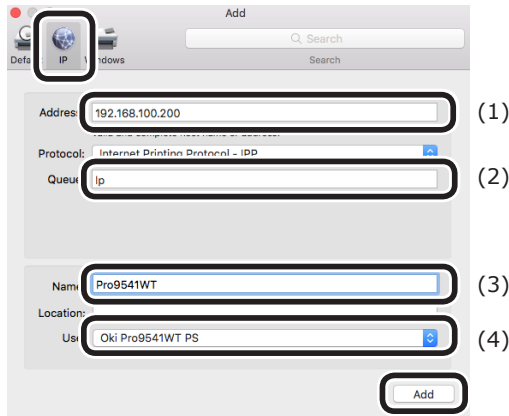
- 1 Open the Mac OS system environment settings, and click the "Print & Scan" icon to open the "Print & Scan" screen.



- 2 Click the [+] button to open the "Add printer" screen.



3 Select the [IP] icon. The following screen will be displayed. Enter the printer IP address, "Queue" name, and "Name", and then check that the printer to be used is selected in "Use", and click the [Add] button.



- (1) Enter the IP address allocated to the printer in the client environment.
- (2) Enter "Ip" as the queue name.
- (3) The IP address entered in Step (1) will be displayed. Enter any desired name.

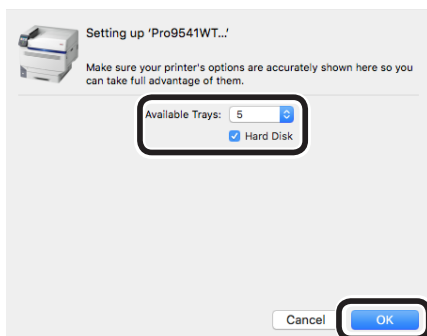
This explanation uses Pro9541WT (LPD) as an example.

- (4) The printer to be used (PS) will be displayed automatically as the driver.
- If you cannot communicate properly with the printer, auto selection will not be implemented.

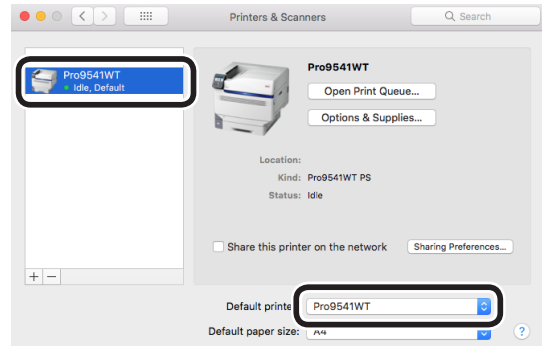
Note

- When the printer is in sleep mode, the drivers may not be selected correctly. Return the printer from sleep mode, and then enter the printer IP address in [Address].

4 Set the printer options, and click [OK].



5 The "Print & Scan" screen will be displayed, and the printer to be used (LPD) will be added to the printer list. Select the printer to be used (LPD) as the "Default printer".



This way, the desired printer will be used as the default when printing. This completes the procedure for adding a printer, so close the "Print & Scan" screen.

Appendix

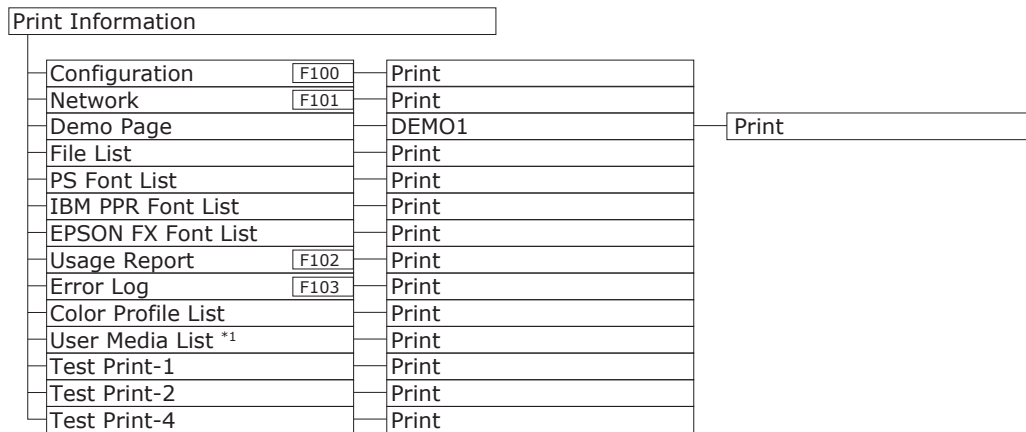
● Table of control panel menu items

Numbers following the letter F in the menu items indicate the function number.

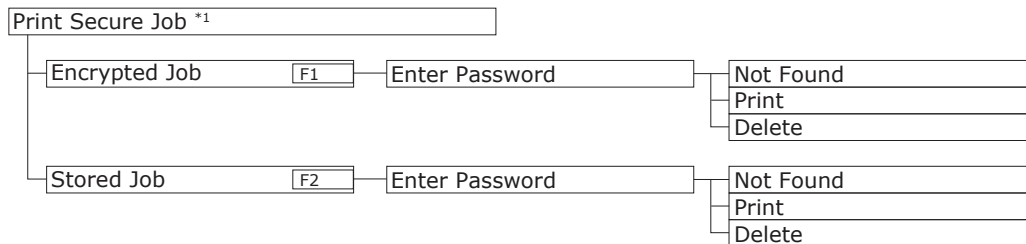
Configuration	
Tray Count	MPTray Tray1 Tray2 *1 Tray3 *1 Tray4 *1 Tray5 *1
Supplies Life	Cyan Toner (n.nK) Magenta Toner (n.nK) Yellow Toner (n.nK) Black Toner (n.nK) White Toner (n.nK) Cyan Drum Magenta Drum Yellow Drum Black Drum White Drum Waste Toner Box Belt Fuser
Network	Printer Name Short Printer Name IPv4 Address Subnet Mask Gateway Address MAC Address Network FW Version Web Remote Version IPv6 Address (Local) IPv6 Address (Global)
Paper Size in Tray	MPTray Tray1 Tray2 *1 Tray3 *1 Tray4 *1 Tray5 *1
System	Serial Number Asset Number Firmware Version CU Version PU Version RAM Flash Memory HDD *2 Date and Time

*1: Displayed when trays 2 to 5 are mounted.

*2: Displayed when the built-in HDD is mounted.



*1: Displayed when the user media is registered.



*1: Displayed when the built-in HDD is mounted.

Menus

Tray Configuration

MPTray Config

Paper Size (A4 <input type="checkbox"/>)	F90
X Dimension *3 (210mm/8.3")	F91
Y Dimension *3 (297mm/11.7")	F92
Media Type (Plain)	F93
Media Weight (Auto)	F94
Tray Usage (Normal Tray)	F95

Tray1 Config

Paper Size (Cassette Size)	F10
X Dimension *3 (210mm/8.3")	F11
Y Dimension *3 (297mm/11.7")	F12
Media Type (Plain)	F13
Media Weight (Auto)	F14
A3Nobi Paper	F15
Legal14 Paper (Legal14)	F16
A5LEF/A6 Paper (A5 <input type="checkbox"/>)	F17
A5SEF Paper (A5 <input type="checkbox"/>)	F18
Other Size (B6)	F19

Tray2 Config *1

Paper Size (Cassette Size)	F20
X Dimension *3 (210mm/8.3")	F21
Y Dimension *3 (297mm/11.7")	F22
Media Type (Plain)	F23
Media Weight (Auto)	F24
A3Nobi Paper	F25
Legal14 Paper (Legal14)	F26
A5LEF/A6 Paper (A5 <input type="checkbox"/>)	F27
A5SEF Paper (A5 <input type="checkbox"/>)	F28
Other Size (B6)	F29

Tray3 Config *1

Paper Size (Cassette Size)	F30
X Dimension *3 (210mm/8.3")	F31
Y Dimension *3 (297mm/11.7")	F32
Media Type (Plain)	F33
Media Weight (Auto)	F34
A3Nobi Paper	F35
Legal14 Paper (Legal14)	F36
A5LEF/A6 Paper (A5 <input type="checkbox"/>)	F37
A5SEF Paper (A5 <input type="checkbox"/>)	F38
Other Size (B6)	F39

Tray4 Config *1

Paper Size (Cassette Size)	F40
X Dimension *3 (210mm/8.3")	F41
Y Dimension *3 (297mm/11.7")	F42
Media Type (Plain)	F43
Media Weight (Auto)	F44
A3Nobi Paper	F45
Legal14 Paper (Legal14)	F46
A5LEF/A6 Paper (A5 <input type="checkbox"/>)	F47
A5SEF Paper (A5 <input type="checkbox"/>)	F48
Other Size (B6)	F49

Tray5 Config *1

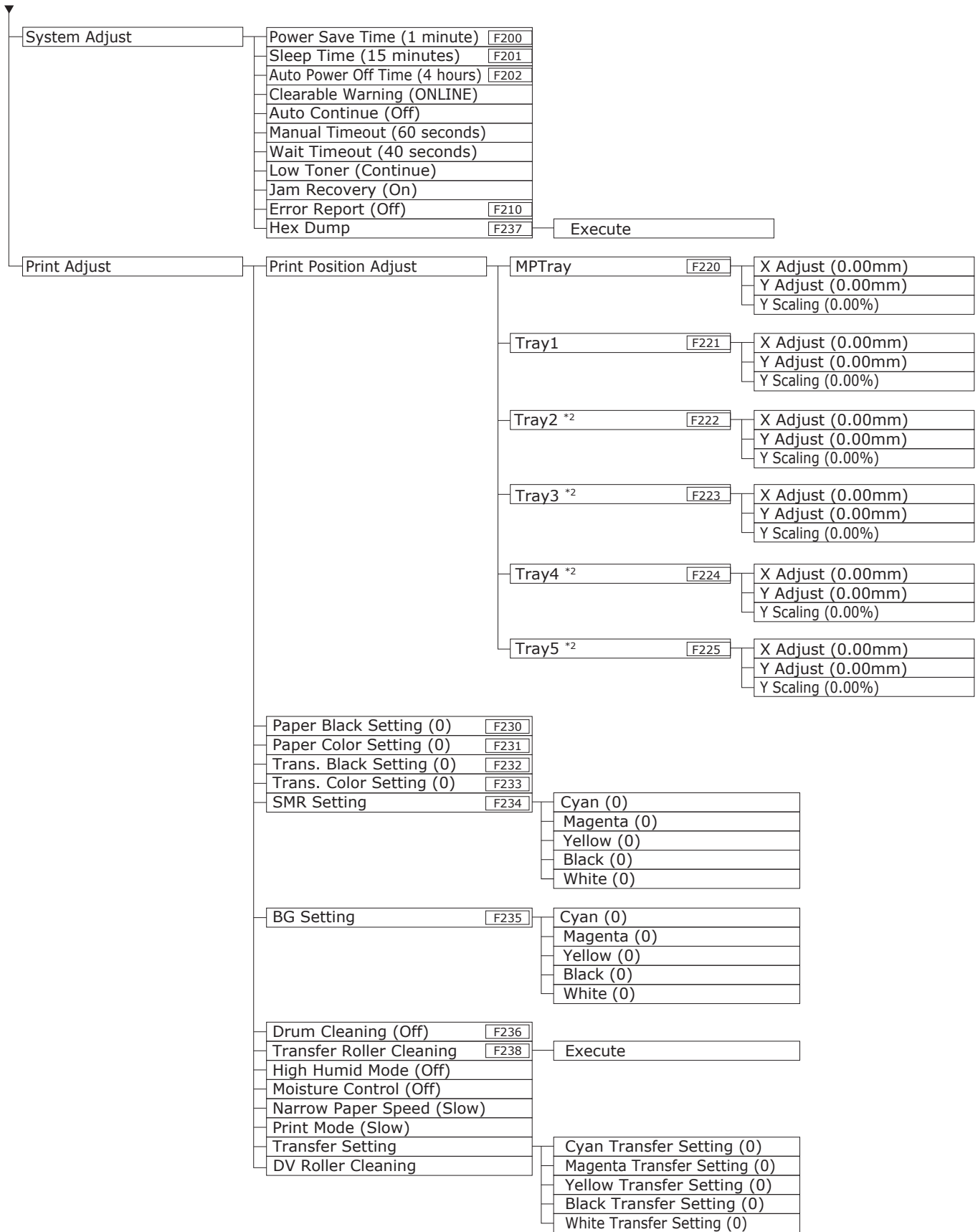
Paper Size (Cassette Size)	F50
X Dimension *3 (210mm/8.3")	F51
Y Dimension *3 (297mm/11.7")	F52
Media Type (Plain)	F53
Media Weight (Auto)	F54
A3Nobi Paper	F55
Legal14 Paper (Legal14)	F56
A5LEF/A6 Paper (A5 <input type="checkbox"/>)	F57
A5SEF Paper (A5 <input type="checkbox"/>)	F58
Other Size (B6)	F59

Paper Feed (Tray1)	F80
Auto Tray Switch (On)	
Tray Sequence (Down)	
Unit of Measurement (mm)	
Duplex Last Page (Skip Blank Page)	

Continue to next page

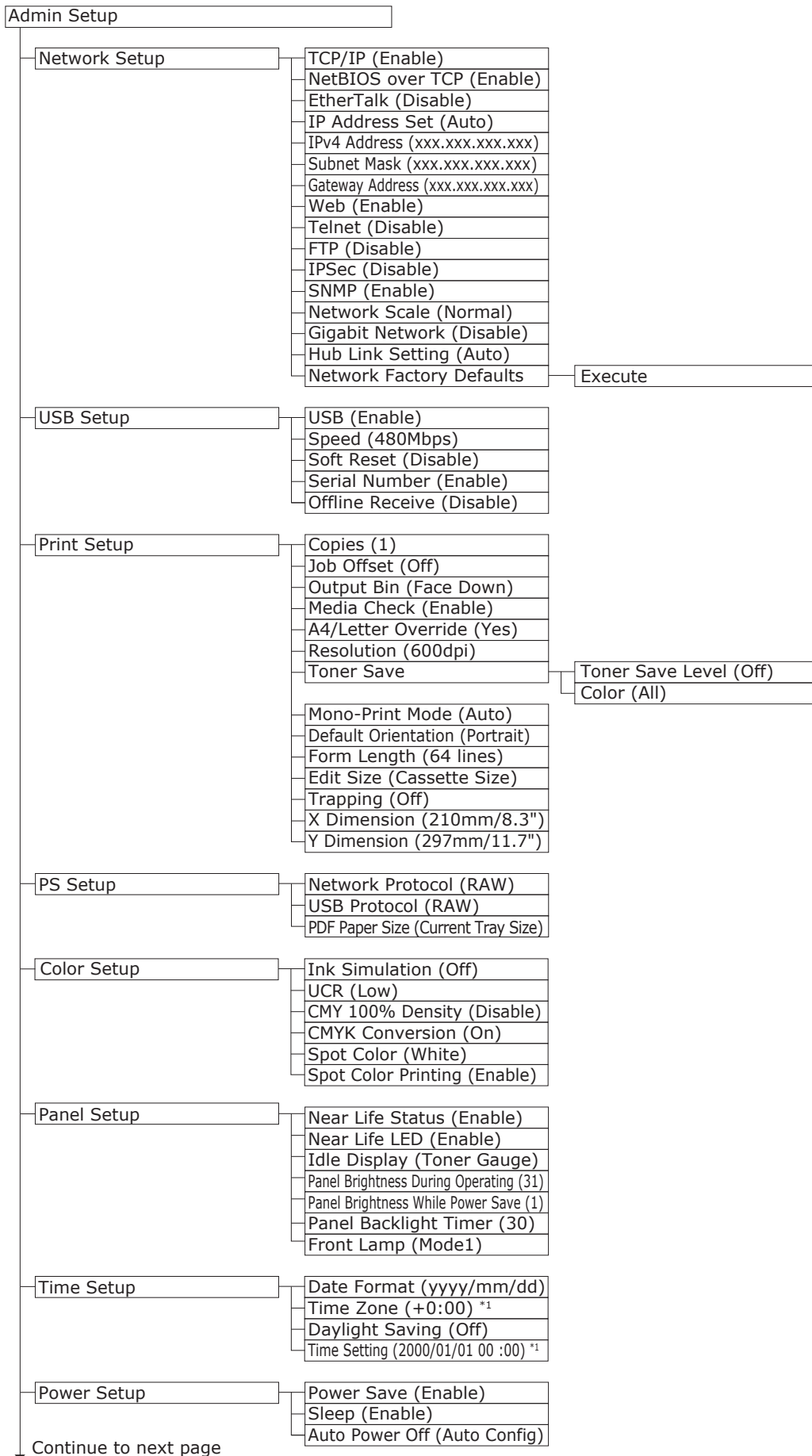
1	Before use
2	Setting up
3	Printing
4	Basic Device Operations
	Appendix
	Index

1 Before use
2 Setting Up
3 Printing
4 Basic Device Operations
Appendix
Index



*1: Displayed when trays 2 to 5 are mounted.

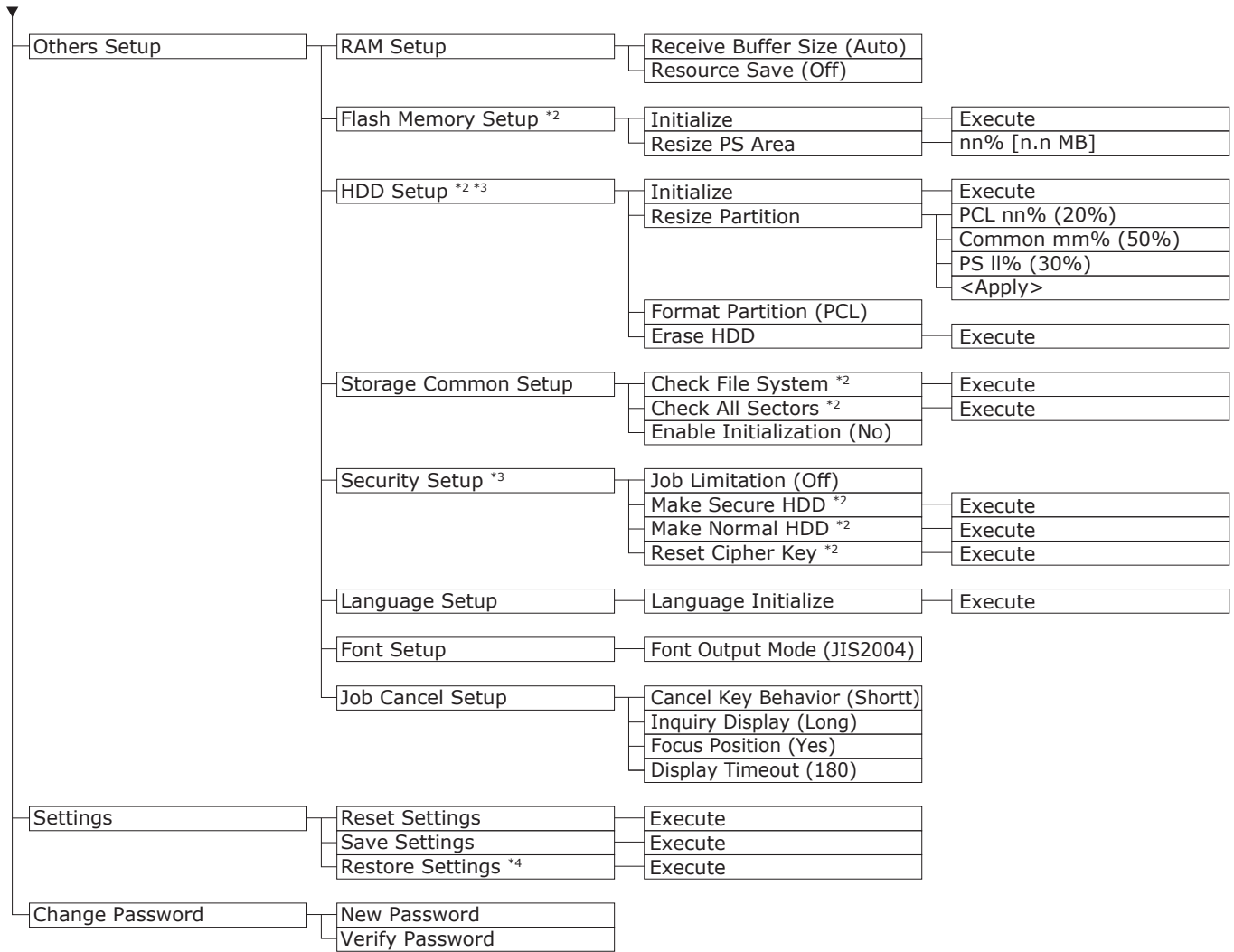
*2: Displayed when [Paper size] is set to [Custom].



Continue to next page

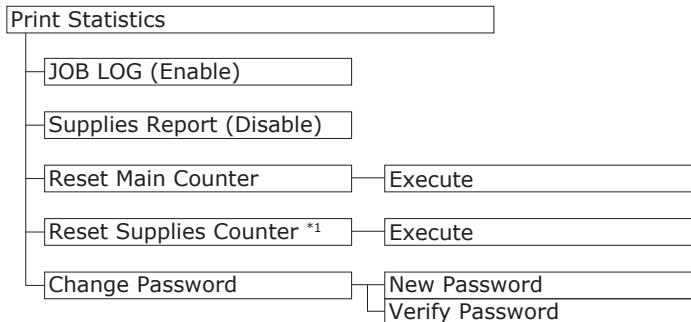
1	Before use
2	Setting up
3	Printing
4	Basic Device Operations
	Appendix
	Index

1 Before use
2 Setting Up
3 Printing
4 Basic Device Operations

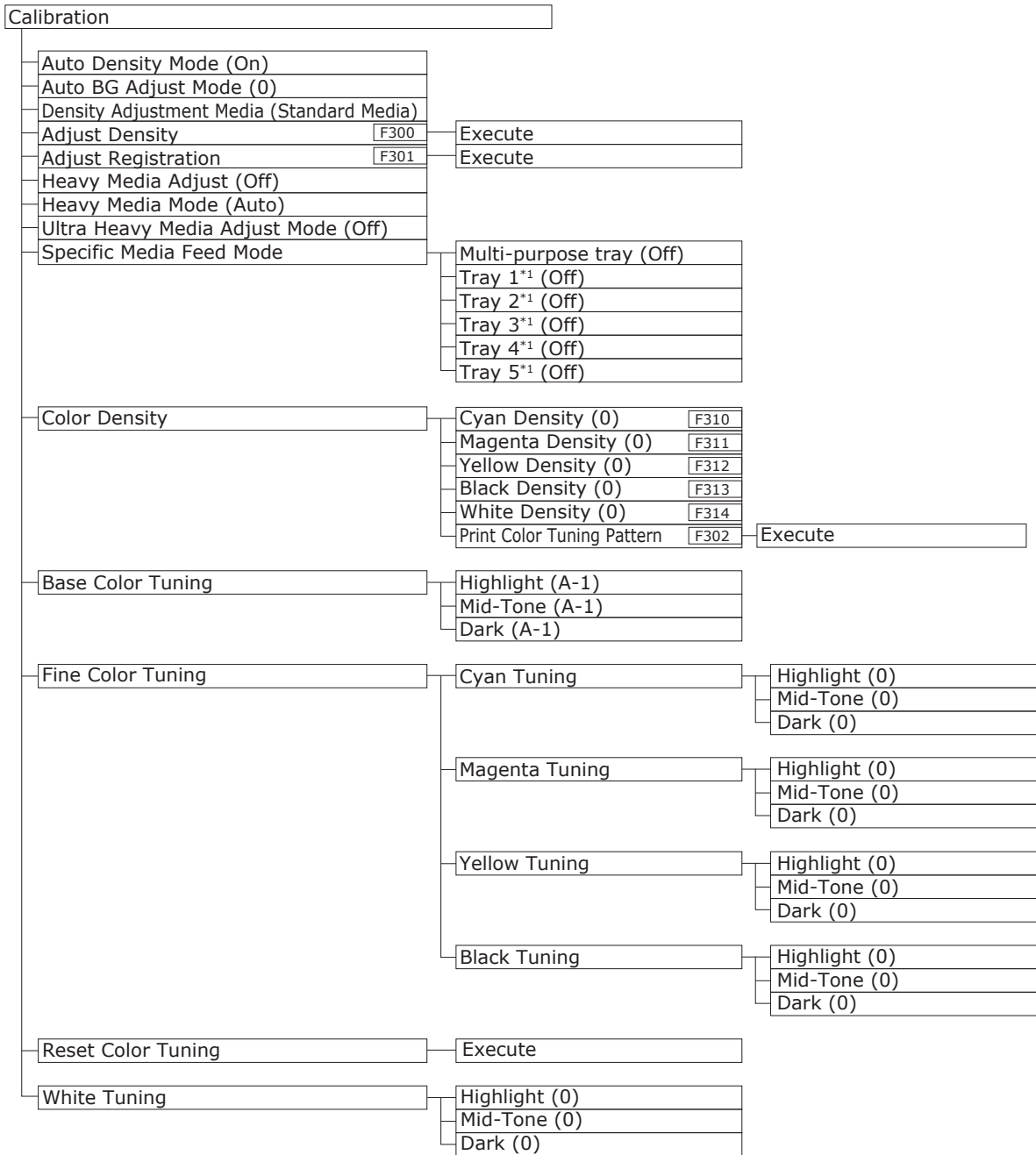


- *1: The time zone and time are set at the factory.
- *2: Displayed when [Storage Common Setup] > [Enable Initialization] is set to [Yes].
- *3: Displayed when the HDD is mounted.
- *4: Displayed when "Save setup" has been implemented.

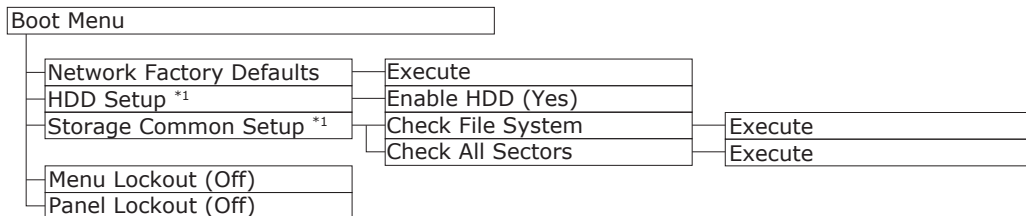
Appendix
Index



- *1: Displayed when [Supplies Report] is set to [Enable].



*1: Displayed when trays 2 to 5 are mounted.



*: Displayed when the power supply is turned ON while the [OK] button is being pressed.

Boot Menu is displayed in English only.

*1: Displayed when the HDD is mounted.

● Basic Windows Functions

This section explains the procedures for displaying the drivers setup window from the [Printers]/[Printer and Fax] folder for OS other than Windows 10, which is used as an example in this manual.



- The Windows Server 2016 procedure is the same as for Windows 10.
- If installing multiple drivers, the icon will be displayed for each driver in the [Printers]/[Printer and Fax] folder. Use the following procedure for the drivers to be set up and checked.

Displaying the Properties Window

■ Windows 8.1/Windows 8/ Windows Server 2012 R2/ Windows Server 2012

- 1 Click [Setup], and select [Control panel]> [Show devices and printers].
- 2 Right-click the Pro9541WT icon, and select [Printing Preferences].

■ Windows 7/Windows Server 2008 R2

- 1 Click [Start], and select [Devices and Printers].
- 2 Right-click the Pro9541WT icon, and select [Printer properties].

■ Windows Server 2008

- 1 Click the [Start] button, and select [Control panel]> [Printers].
- 2 Right-click the Pro9541WT icon, and select [Preferences].

Displaying the print setup window

■ Windows 8.1/Windows 8/ Windows Server 2012 R2/ Windows Server 2012

- 1 Click [Setup], and select [Control panel]> [Show devices and printers].
- 2 Right-click the Pro9541WT icon, and select [Printing Preferences].

■ Windows 7/Windows Server 2008 R2

- 1 Click [Start], and select [Devices and Printers].
- 2 Right-click the Pro9541WT icon, and select [Printing Preferences].

■ Windows Server 2008

- 1 Click the [Start] button, and select [Control panel]> [Printers].
- 2 Right-click the Pro9541WT icon, and select [Printing preferences].

● Specifications

Main specifications

Model Number	Pro9541WT: N36100A(120V), N36100B(230V), N36100C(100V)
CPU	ARM Processor (1.2GHz)
RAM (standard/ max.)	2GB/2GB
Weight	Approx. 91kg (not including consumables)* ¹
Power	110 to 127 VAC (Range 99 to 140 VAC), 50/60 Hz ± 2% 220 to 240 VAC (Range 198 to 264 VAC), 50/60 Hz ± 2%
Power consumption	During operations: 1,600W max./Average 1,100W
	During standby: Average 40W
	In power save mode In power save mode: 30W max. In sleep mode: 4W max. (factory settings) In Auto Power OFF: 0.4W max. * The product does not consume power when the main power switch is OFF, even if the power plug is inserted into the outlet.
Use environment conditions	Temperature 10°C to 32°C, humidity 20% to 80%RH Max. wet bulb temperature 25°C (Environments where high-quality and full color are assured : Temperature 17°C to 27°C, humidity 50% to 70%RH)
Network connection	1000BASE-T/100BASE-TX/10BASE-T (Factory settings 100BASE-TX/10BASE-T)
Local connections	USB2.0 interface (Hi-Speed USB supported)
Display	4.3" high-resolution color LCD (480x272dots)
Compatible OS	Windows 10/Windows 8.1/Windows 8/Windows 7/Windows Server 2016/Windows Server 2012 R2/Windows Server 2012/Windows Server 2008 R2/Windows Server 2008 Mac OS X 10.10.5 to 10.13 For details, see the operations environment.

Print method		Dry electronic photo method using 5 continuous digital LED heads	
Resolution	Print resolution	1200 x 1200dpi (2 shades) / 1200 x 600dpi (16 shades) / 600 x 600dpi (2 shades)	
	LED dot pitch	1200dpi	
Print colors		Yellow, magenta, cyan, black, white	
Print languages		PostScript3	
Print speed* ²	Color (1-sided)	CMYK	50 pages/min. (A4 landscape feed), 28 pages/min. (A3 portrait feed) (If auto paper weight is set)
		CMYK+Spot Color	CMYK+Spot Color white: 45 pages/min. (A4 landscape feed), 25 pages/min. (A3 portrait feed)
		Spot Color overprint* ³ (CMYK+Spot Color white)	16 pages/min. (A4 landscape feed) 6 pages/min. (A3 portrait feed)
	Monochrome (1-sided)	50 pages/min. (A4 landscape feed) 28 pages/min. (A3 portrait feed) (If auto paper weight is set)	

Specifications

1 Before use	Type of paper*4	Paper quality*5	Plain, thick paper (transparent film*6, transparencies*7)
		Paper size	A3NOBI, 13×18", A3WIDE (SRA3), A3, A4WIDE (SRA4), A4, A5, A6, B4, B5, B6, letter, legal13/13.5/14, Executive, Statement*8, Tabloid Extra, Tabloid, 8K, 16K, custom*9
		GSM paper weight	1st tray: GSM 52 to 320g/m ² (ream weight 45 to 275kg) Expansion tray unit: GSM 52 to 320g/m ² (ream weight 45 to 275kg) Large-capacity expansion tray unit: GSM 52 to 320g/m ² (ream weight 45 to 275kg) Multi-Purpose Tray: GSM 52 to 360g/m ² (ream weight 45 to 309kg)
2 Setting Up	Paper feed method/ Feed quantity	Multi-purpose tray	Capacity 310 sheets (GSM weight 64g/m ² , total thickness 31mm max.)*10
		1st tray	Capacity 580 sheets (GSM weight 64g/m ² , total thickness 53mm max.)*11
		Expansion tray unit	(Optional) Capacity 580 sheets (GSM weight 64g/m ² , total thickness 53mm max.)
		Large-capacity expansion tray unit	(Optional) Capacity 580 sheets x 3 trays (GSM weight 64g/m ² , total thickness 53mm max.)
3 Printing	Paper feed method/ Output capacity	Face down	620 sheets max. (GSM weight 64g/m ²)
		Face up	300 sheets max. (GSM weight 64g/m ²)
	Assured print range	6.35mm from the paper edge (excluding special paper)	
	Print accuracy	Write position accuracy ±2mm; paper slant: ±1mm/100mm Image expansion and contraction ±1mm/100mm (GSM weight 80g/m ²)	
	Warm-up time	Approx. 50s (max.) after power is turned ON (At room temperature 25°C and rated voltage)*12	
4 Basic Device Operations	Average print quantity	25,000 sheets/month	
	Use environment conditions	Temperature 10°C to 32°C, humidity 20% to 80%RH, max. wet bulb temperature 25°C (Environments where high-quality and full color are assured : Temperature 17°C to 27°C, humidity 50% to 70%RH)	
	Consumables and maintenance products	Consumables, toner cartridge, image drum, maintenance products, fuser unit, transfer roller unit, belt unit, paper feed roller set, waste toner box	
	Device service life*13	5 years or 1.5 million pages	

*1: The total weight including consumables is approx. 111kg.

*2: Plain paper, in copy mode. Operation may slow down during continuous printing due to adjustments in machine temperature and image quality.

*3: The mode that prints white before CMYK. If the paper size exceeds B4, the print speed is slower. The lifespan of the image drum or maintenance parts will become less than half.

*4: Print quality and paper traction may suffer depending on the paper used and the use environment. Implementing a test print beforehand is recommended. Consult your supervisor if anything is unclear.

*5: For glossy, coated and embossed paper, thoroughly test the print quality and paper traction beforehand, and check that there are no impediments before use.

*6: Compatible with Multi-Purpose Tray only.

*7: Compatible with 1st tray and Multi-Purpose Tray only.

*8: Compatible with Multi-Purpose Tray only.

*9: 1st tray, expansion tray unit, large-capacity expansion tray unit: Width 100 to 330mm x length 148 to 457mm.
Multi-Purpose Tray: Width 64 to 330mm x length 90 to 1,321mm. If using Spot Color overprint, length is 182 to 457mm.

*10: Transparencies x 200.

*11: Transparencies x 360.

*12: Does not include compensation operations.

*13: Device service life depends on the customer's use conditions.

Network interface specifications

- Basic specifications

Network protocols

- For TCP/IP
- For EtherTalk

- Connectors

1000BASE-T / 100 BASE-TX / 10 BASE-T (Auto switching and simultaneous use are not possible)

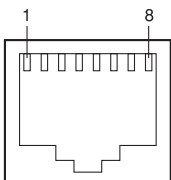
Note

- The default factory setting is to disable 1000BASE-T.
If using with 1000BASE-T, use the control panel to make the following settings.
Set to [Administrator menu]> [Enter password> [Network Setup]> Gigabit Network]> [Enable].

- Cables

Unshielded twist pair cable with EJ-45 connector (category 5e or later)

- Connector pin array



- Interface signals

Pin No.	Signal name	Function
1	TRD+(0)	Data 0 sending and receiving (+)
2	TRD-(0)	Data 0 sending and receiving (-)
3	TRD+(1)	Data 1 sending and receiving (+)
4	TRD+(2)	Data 2 sending and receiving (+)
5	TRD-(2)	Data 2 sending and receiving (-)
6	TRD-(1)	Data 1 sending and receiving (-)
7	TRD+(3)	Data 3 sending and receiving (+)
8	TRD-(3)	Data 3 sending and receiving (-)

USB interface specifications

1

Before use

- Basic specifications

USB (supports Hi-Speed USB)

- Connectors

B receptacle (female) upstream port

- Cables

5m max. USB2.0 specifications cable (2m max. recommended)

(Do not use shielded cable wires.)

2

Setting Up

- Send mode

Full speed (12Mbps±0.25% max.)

High speed (480Mbps±0.05% max.)

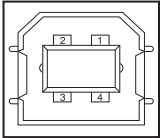
- Power control

3

Printing

Self-powered device

- Connector pin array



4

Basic Device Operations

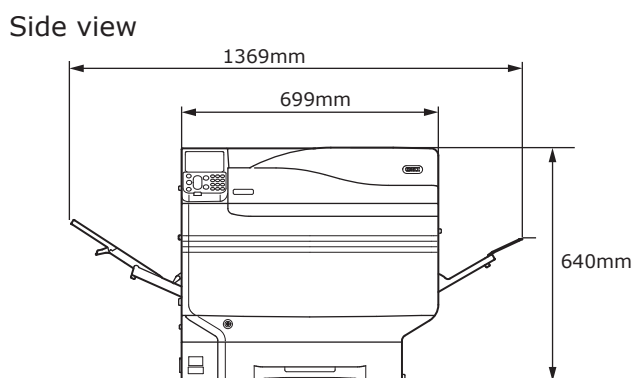
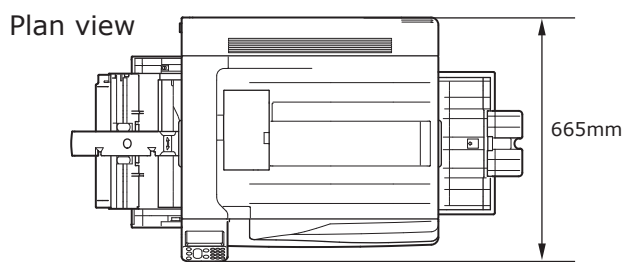
- Interface signals

	Signal name	Function
1	Vbus	Power supply (+5V)
2	D-	For data transfer
3	D+	For data transfer
4	GND	Signal ground
Shell	Shield	

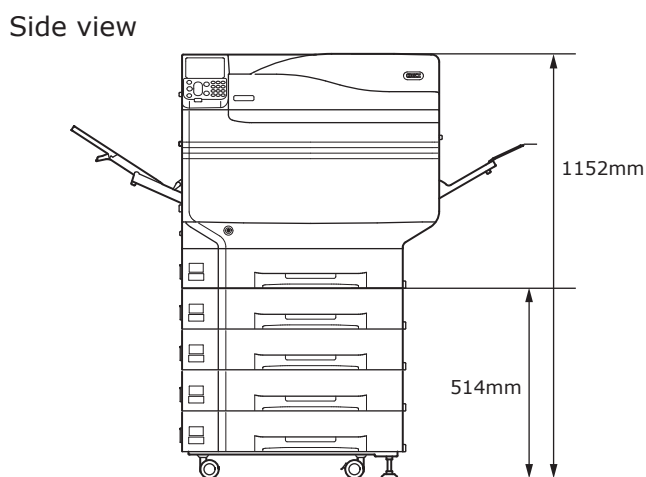
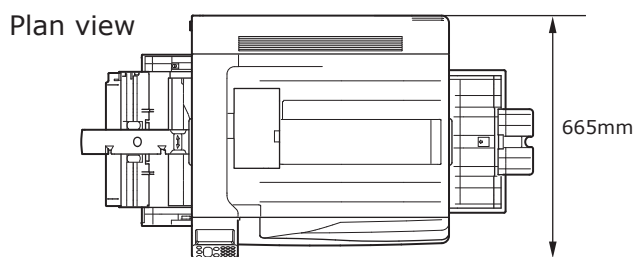
Appendix

Index

Dimensions



When the (optional) expansion tray unit is mounted



1

Before use

2

Setting Up

3

Printing

4

Basic Device Operations

Appendix

Index

■ Memo

1

Before use

2

Setting Up

3

Printing

4

Basic Device Operations

Appendix

Index

Index

10-key pad 24, 29

A

Adjusting brightness 28
Air holes..... 34
Auto 81
Auto Power OFF Mode
 Setup..... 100
 Switching Time..... 101

B

Back button 24
Belt unit lever 20
Belt unit lock lever..... 20
Bonjour..... 66, 70
Built-in HDD 24, 25, 26, 48, 72
Button 21, 22

C

Cable connections..... 57
[CANCEL] button 24, 104
Cancelling 31, 104
 Slot 24
Cancelling OFF mode 31
Card authentication 24, 27
Carrying handles 19, 23
Carrying lever 18, 19
[CLEAR] key 18
color management server 18, 19, 22
Consumables 39
 Toner cartridge..... 39
Consumption power 50
Control panel 21
Customer support..... 18
Customization 84, 85

D

Detecting Automatically..... 80
Dimensions..... 119
Documents 18
Driver installation 55
 Mac OS X 66
 Windows 59
Duplex Unit 19

E

Environment conditions 56
EPS data 56
Error screen..... 27
Errors 27
EtherTalk..... 66, 67
Exit Unit knob 19, 22
Expansion tray unit..... 44, 72
 Setup (Mac OS X) 73
 Setup (Windows) 72
Expansion tray unit with casters 29, 45

F

Face-down Stacker 22, 90
Face-up Stacker 91
Factory settings..... 29, 60
Fiery® XF Server Option..... 32
[Fn] key 24, 29
Front lamp..... 18
Function number input screen 30
Fuser Unit 22
Fuser Unit's Jam Release Lever..... 22

G

Gateway address..... 59

1

Before use

2

Setup

3

Printing

4

Basic Device Operations

Appendix

Index

H

Handle	24
[HELP] button	24, 27
Help screen	20
Hubs.....	57

I

Image drum	19
Job list	17, 20
Product warranty, supplying free maintenance, and customer support... 20	
Stopper	39
Toner cartridge.....	17, 20
Installation	33
Installation environment.....	33
Installation procedure	36
Installation space	33
Relocation.....	36

Interface	
Network interface connector.....	19
IP address	59, 62

J

Japanese double postcard.....	27
-------------------------------	----

L

LAN (network interface connector).....	23
LAN cable	57
Connecting	57
Large-capacity expansion tray unit.....	26, 45
LED lamp	51, 52
Liquid crystal panel.....	18, 19
Lock lever knob.....	20
LPD Protocols (TCP/IP)	105

M

Mac OS X printer driver	
Documents	24
Main power switch	18, 51, 52
Power conditions	19
Maintenance	2
Manual Feed Printing (Multi-Purpose Tray)	87
Menu button	
[OK] button	24, 25
Scroll button	24
Menu items.....	27
Menu items table.....	107
Messages	18
Mounting options	
Built-in HDD.....	48
Expansion tray unit	44
MP Paper Guide.....	21, 86
Multi-Purpose Tray.....	24, 84, 85, 87

N

Network	31
Cables.....	57
Network connection	
Setting up (Mac OS X).....	66
Setting up (Windows).....	59

O

OFF mode	
Customization	24
Power save mode	24
Sleep mode	18
[OK] button	24, 27
Operating environment.....	22
Operating methods	18, 24, 25
Output rail unit	22

P

Paper	75
Output	90
Settings	80, 85
Size	76
Thickness	76
Type	76
Usable Paper	75
Paper Cassette	21, 43, 80
Paper Feed Orientation	79
Paper size	18
Paper Size	
Setup	84
Paper tray	22
PC	3
PCs	
Connecting to the device	55, 57
Connecting using LAN cable	57
Connecting using USB cable	58
Setting IP addresses	62
PostScript fonts	56
Power cable	51
Power save	
Power save mode	93
[POWER SAVE] button	
Power save key	27
Power save mode	24, 27
Power save mode	24, 25
Setup	93
Power supply	50
OFF	52
ON	51
Power supply conditions	50
Power switch	19, 51, 52
Main power switch	51, 52
Preparations	19
Printer driver	18
Printer drivers	
Windows	114

Printer Drivers	55, 81, 87
Expansion tray (optional)	72
Mac OS X	66
Types	56
Windows	59
Printer information	53, 54
Printing	21, 75
Cancelling	104
Paper supporter	21, 22
Printer information	53, 54
Test prints	53
Upper right side cover	21
PS	56

R

Relocation	36
Remaining toner quantity display	18
Rendezvous	66, 70

1

Before use

2

Setting up

3

Printing

4

Basic Device Operations

Appendix

Index

1 Before use
2 Setting Up
3 Printing
4 Basic Device Operations
Appendix
Index

S

Securing lever.....	17, 20
Setting optional drivers	
Mac OS X	73
Windows	72
Setup	33
Network connection	59, 66
Toner cartridge.....	39
USB connections.....	64, 71
Shutdown.....	52
Sleep mode	
Disabling	67
Restrictions.....	98
Setup.....	95
Switching Time.....	96
Slot	17, 20
Printing	20
Software DVD-ROM.....	31, 55
Specifications.....	115
Dimensions.....	119
Network interface	117
USB interface	118
Standby screen	17
Starter toner cartridge	24, 25
Startup screen	32
Subnet mask	59, 61

T

Test prints	
Test printing using the printer alone	53
Toner cartridge.....	39
Toner replacement cover	17, 20
Transfer Roller Unit	17, 22, 41, 42
Transfer Roller Unit's Lock Lever	22, 42
Tray information display	18
Trays	24, 25, 26
Tray 1	18, 43, 80
Trays 2/3/4/5.....	43, 45, 80
Troubleshooting.....	2
Turning OFF the power automatically.....	52, 100

U

Upper left side cover.....	20
USB cable.....	58
Connecting	57, 58
USB connections	
Setting up (Mac OS X).....	71
Setting up (Windows).....	64
USB interface connector	58
USB port	58
Use	24
ATTENTION lamp	29
Power cable	24
Utility software.....	2

W

Weight	36
Weight (mass)	17
Windows	19, 23

Contact Us

Italia	www.oki.com/it
Français	www.oki.com/fr
Deutschland	www.oki.com/de
United Kingdom	www.oki.com/uk
Ireland	www.oki.com/ie
España	www.oki.com/es
Portuguesa	www.oki.com/pt
Sverige	www.oki.com/se
Danmark	www.oki.com/dk
Norge	www.oki.com/no
Suomi	www.oki.com/fi
Nederland	www.oki.com/nl
België/Belgique	www.oki.com/be
Österreich	www.oki.com/at
Schweiz/Suisse/Svizzera	www.oki.com/ch
Polska	www.oki.com/pl
Česká	www.oki.com/cz
Slovenská	www.oki.com/sk
Magyarország	www.oki.com/hu
Россия	www.oki.com/ru
Україна	www.oki.com/ua
Türkiye'ye	www.oki.com/tr
Serbia	www.oki.com/rs
Croatia	www.oki.com/hr
Greece	www.oki.com/gr
Romania	www.oki.com/ro
OKI Europe	www.oki.com/eu
Singapore	www.oki.com/sg/
Malaysia	www.oki.com/my/
ประเทศไทย	www.oki.com/th/printing/
Australia	www.oki.com/au/
New Zealand	www.oki.com/nz/
United States	www.oki.com/us/
Canada	www.oki.com/ca/
Brasil	www.oki.com/br/printing
México	www.oki.com/mx/
Argentina	www.oki.com/la/
Colombia	www.oki.com/la/
Other countries	www.oki.com/printing/

Oki Electric Industry Co., Ltd.
1-7-12 Toranomom, Minato-ku, Tokyo
105-8460, Japan

www.oki.com/printing/