

C8800 Series

Handy Reference
Guide de référence pratique
Referencia Rápida
Guia de referência rápida

Contents

Ordering Replacement Supplies . . .	5
Using the Printer Menu	6
Navigating	6
Menu Summary	7
Print Media Settings	8
Tray 1 and Optional Tray 2	9
Multi-Purpose Tray	11
Exit Trays	13
Duplex Printing	14
Power Save Mode	15
Clearing Media Jams	16
Duplex (370, 373)	16
Duplex (371)	17
Paper Feed (372, 380, 390)	18
Internal (381)	19
Paper Tray (391, 392)	21
Common Error Messages	22
Service & Support	24

Table des matières

Commande de fournitures	25
L'utilisation des menus de	
l'imprimante	26
Déplacement	26
Sommaire Menu	27
Paramètres de support	
d'impression	28
Bac 1 et bac 2 optionnel	29
Bac multifonction	31
Bacs de sortie	33
Impression duplex (recto	
verso)	34
Mode d'économie d'énergie	35
Dégagement des bourrages	36
Duplex (370, 373)	36
Duplex (371)	37
Alimentation papier (372,	
380, 390)	38
Interne (381)	39
Bac à papier (391, 392)	41
Messages d'erreur courants	42
Service et support	45

Contenido

Cómo hacer sus pedidos de suministros	46
Uso el menú de la impresora ...	47
Navegar	47
Resumen de la menú	48
Configuración de los Medios de Impresión	49
Bandeja 1 y Bandeja 2 Opcional	50
Bandeja Multi-Uso	52
Bandejas de salida	54
Impresión Dúplex	55
Ahorro de energía	56
Solución de atascos	57
Duplex (370, 373)	57
Duplex (371)	58
Alimentación de papel (372, 380, 390)	59
Interno (381)	60
Bandeja de papel (391, 392) ...	62
Mensajes de errores comunes ..	63
Servicio y Soporte	66

Sumário

Pedidos de suprimentos de reposição	67
Uso do menu da impressora ...	68
Navegar	68
Resumo do menu	69
Config. dos materiais de impressão	70
Bandeja 1 e Bandeja 2 Opcional	71
Bandeja multifuncional	73
Escaninhos de saída	75
Impressão duplex	76
Economia de energia	77
Eliminação de atolamentos de papel	78
Atolamentos 370, 373	78
Duplex (371)	79
Alimentação de Papel (372, 380, 390)	80
Interna (381)	81
Bandeja para papel (391, 392) ..	83
Mensagens de erro comuns	84
Assistência técnica e suporte ...	87

Ordering Replacement Supplies

How to Order

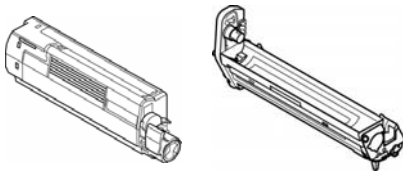
- Consult the dealer where you purchased your printer.
- Consult an Oki Data Authorized Sales or Service Dealer. For your nearest dealer, call 1-800-654-3282.
- *U.S., Puerto Rico, Guam, U.S. Virgin Islands only:* Order on the Internet at WWW.OKIPRINTINGSOLUTIONS.COM.
- *U.S. only:* Order toll-free by phone at 1-800-654-3282, using VISA®, MasterCard®, or AMEX®.

Order Numbers

Toners/Drums

Important!

Use only genuine OKI Toner Cartridges.



Toner	Oki Part No.
Black	43487736
Cyan	43487735
Magenta	43487734
Yellow	43487733

Drum	Oki Part No.
Black	43449028
Cyan	43449027
Magenta	43449026
Yellow	43449025

Fusers and Transfer Belt

Item	Oki Part No.
Fuser, 120V	43529404
Fuser, 230V	43529409
Transfer Belt	43449704

Installation

These items include installation instructions.

Take Advantage of OKI Supply Manager

- Calculates your usage based on information you provide.
- Sends you an email reminder when it's time to reorder

To register, go to WWW.OKIPRINTINGSOLUTIONS.COM.

Check Out Oki Managed Services

A document output analysis of your business which could save you up to 30% on your printing costs.

Call 1-888-654-6264 to schedule an appointment with an Oki Managed Services project manager.

Or, for more information, go to WWW.OKIPRINTINGSOLUTIONS.COM.

Using the Printer Menu

Navigating

Note

Settings made in the printer driver will override the printer menu settings.

Navigating the Menu

1. Press

ENTER



to enter the Menu mode.

2. Press



or



repeatedly to scroll through the Categories, Items and Values.

3. Press

ENTER



to select a Category, Item or Value to change, or to engage the new setting for a Value.

4. Press

ON LINE



to exit the Menu mode.

For Example

If the MP Tray will normally be loaded with index cards, set the printer menu as follows:

1. Press ENTER.
2. Press + repeatedly until you see

MEDIA MENU

3. Press ENTER.
4. Press + repeatedly until MPT PAPERSIZE appears.
5. Press ENTER.
6. Press + repeatedly until INDEX CARD appears-on the second line of the display.
7. Press ENTER.
An asterisk appears next to your selection. The setting is engaged.
8. Press ON LINE.

Using the Printer Menu

Menu Summary

Summary of Menu Categories

- ▶ **Information Menu**
Print the Menu Map, Network settings or Demo page.
- ▶ **Shutdown Menu**
This menu only appears if the hard disk drive is installed. This item should always be selected before switching the printer off, to ensure that no hard disk data is lost.
- ▶ **Print Menu**
Set the number of copies, feed tray used, etc.
- ▶ **Media Menu**
Set media size and weight for the various trays, etc.
- ▶ **Color Menu**
Set color density, registration, etc.
- ▶ **Sys Config Menu**
Set power save, timeouts, etc.
- ▶ **PCL Emulation**
This menu controls settings effective when the printer is operating in PCL emulation mode.
- ▶ **PPR Emulation**
This menu controls settings effective when the printer is operating in PPR emulation mode.
- ▶ **FX Emulation**
This menu controls settings effective when the printer is operating in FX emulation mode.

- ▶ **Parallel Menu**
This menu controls the operation of the printer's Parallel data interface.
- ▶ **USB Menu**
Set parameters for USB.
- ▶ **Network Menu**
Set network parameters.
- ▶ **Maintenance Menu**
Enable power save, and set other printer parameters.
- ▶ **Usage Menu**
Indicates page counts and remaining life for consumables.

Printing the MenuMap

The MenuMap provides a listing of the current printer menu settings.

1. Press + one or more times until you see

INFORMATION MENU

2. Press ENTER.

PRINT MENU MAP
EXECUTE

3. Press ENTER.
The MenuMap prints and the printer goes back on line.

Print Media Settings

Always make sure the media setting matches the print media you are using.

Improper media settings:

- cause poor quality printing
- cause flaking
- *can damage the printer*

Printer Driver Versus Printer Menu

Printer driver settings override printer menu settings.

Default Settings

The default media weight setting for all trays is Medium.

Resetting to the Original Defaults

1. Press ENTER.
2. Press - repeatedly until you see MAINTENANCE MENU on the display.
3. Press ENTER.
4. Press ENTER.

The printer resets and returns to the on-line state.

Temporarily Changing the Media Weight for an Individual Print Job

If you are printing a job on special media, you can temporarily load the media in a tray and change the media settings for that tray *in the driver* as you print the job.

Ranges for Printer Media Weight

Media weight settings can be made in the printer menu or the printer driver.

Selectable Media Weight Settings

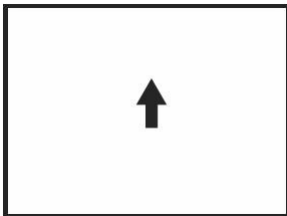
Setting	Media Weight
Light	US Bond: 17 to 19 lb. Index: 35 to 40 lb. Metric: 64 to 71 g/m ²
Medium	US Bond: 20 to 24 lb. Index: 42 to 50 lb. Metric: 75 to 90 g/m ²
Heavy	US Bond: 24 to 32 lb. Index: 50 to 67 lb. Metric: 90 to 121 g/m ²
Ultra Heavy	US Bond: 32 to 53 lb. Index: 67 to 110 lb. Metric: 121 to 200 g/m ²

Tray 1 and Optional Tray 2

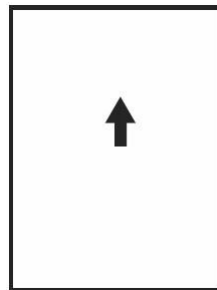
Media Specifications

Weight Range	Tray 1: 17 to 32 lb. US Bond (64 to 120 g/m ²) Optional Tray 2: 17 to 47 lb. US Bond (64 to 176 g/m ²)
Standard Sizes:	Letter (LEF*), Letter (SEF**) [tray 2 only], Legal-14, Legal-13.5, Legal-13, Tabloid, Executive, A4 (LEF), A5 (SEF), A6 (SEF) [tray 1 only], B4, B5 (LEF)
Custom Sizes: Must be defined in driver before printing: see your on-line User's Guide.	<p><i>Simplex Printing</i> (printing on one side):</p> <ul style="list-style-type: none"> • Min.: 3.94 x 5.83" (100 x 148 mm) • Max.: 11 x 17" (279.4 x 431.8 mm) <p><i>Duplex Printing</i> (printing on both sides: duplex unit is standard on Models C8800dn and C8800dtn, optional on Model C8800n):</p> <ul style="list-style-type: none"> • Min.: 5.8 x 8.25" (148 x 210 mm) • Max.: 11 x 17" (279.4 x 431.8 mm)
Capacity:	Tray 1: 300 sheets of 20-lb. (75 g/m ²) paper Optional Tray 2: 530 sheets of 20-lb. (75 g/m ²) paper

* LEF = Long Edge Feed:

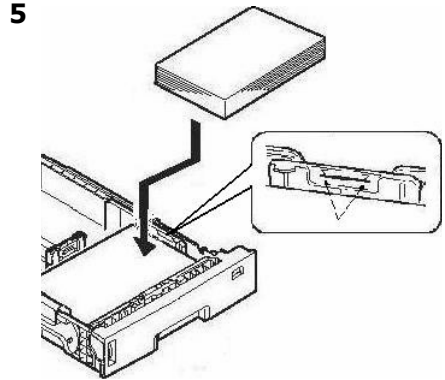
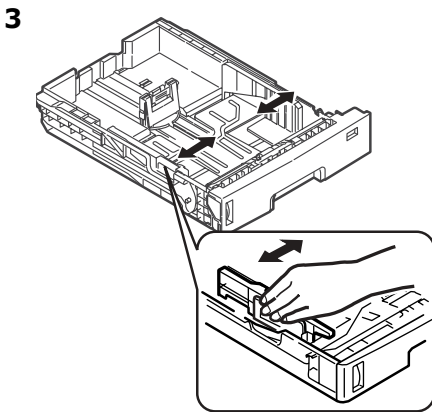
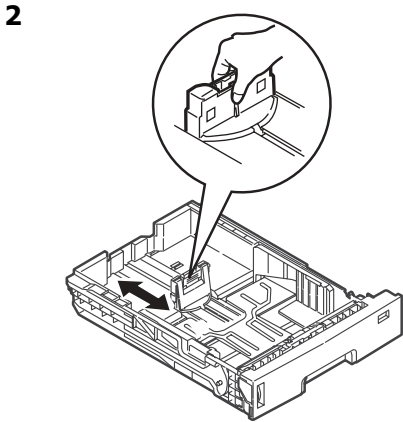
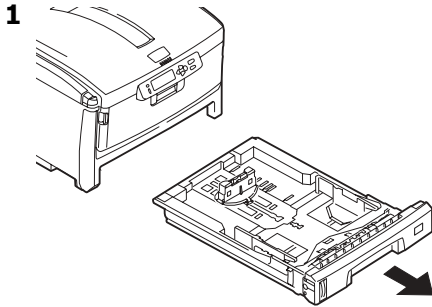


** SEF = Short Edge Feed:

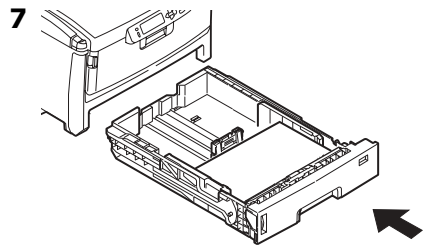
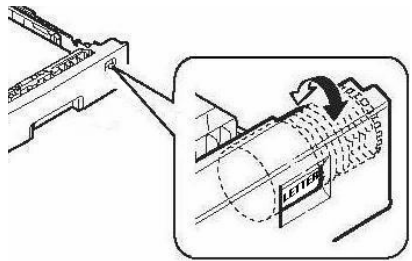


Tray 1 and Optional Tray 2 (cont.)

Loading Paper

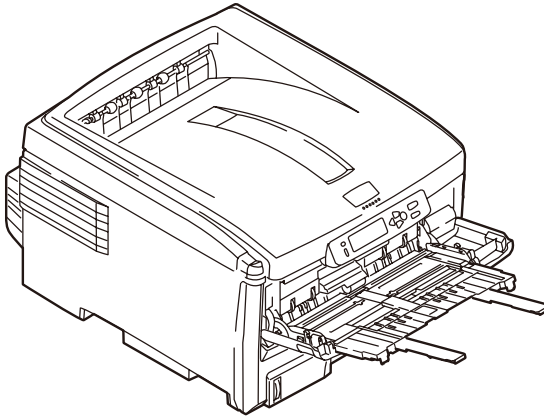


6 Important! Adjust the paper size dial to the size of the paper being used.



Multi-Purpose Tray

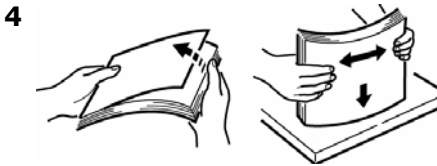
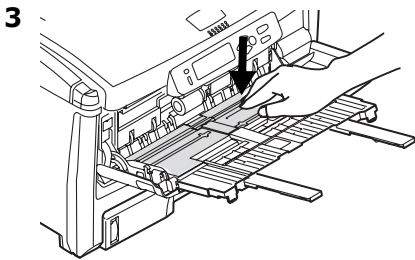
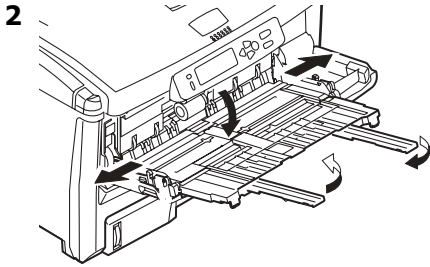
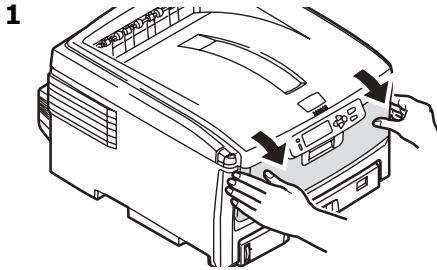
Media Specifications



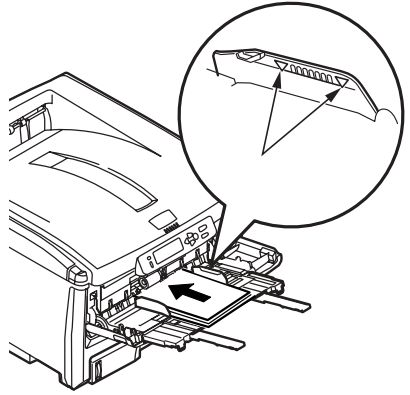
Weight Range	20 to 53 lb. <i>US Bond</i> (42 to 110 lb. <i>Index</i> , 75 to 200 g/m ² metric)
Standard Sizes:	Letter LEF*, Letter SEF*, Legal-14, Legal-13.5, Legal-13, Tabloid, Executive, A4 SEF, A4 LEF, A5 SEF, A6, B4, B5 SEF, B5 LEF, and COM-10, DL, C5, C4 Envelopes *SEF, LEF: see page 9.
Custom Sizes: Must be defined in driver before printing: see your on-line User's Guide.	Min. 3.94" x 5.83" [100 x 148 mm] Max. 11" x 17" [279.4 x 431.8 mm] Default = Letter. <i>Banners:</i> 8.25 to 8.5" [210 to 216 mm] wide by up to 47.25" [1.2 m] long. Must be fed one sheet at a time.
Takes:	<ul style="list-style-type: none">• 100 sheets 20-lb. (75 g/m²) paper• 50 transparencies• 10 envelopes• Labels: max. feed stack = about 3/8-inch (1 cm) high

Multi-Purpose Tray (cont.)

Loading Paper



5



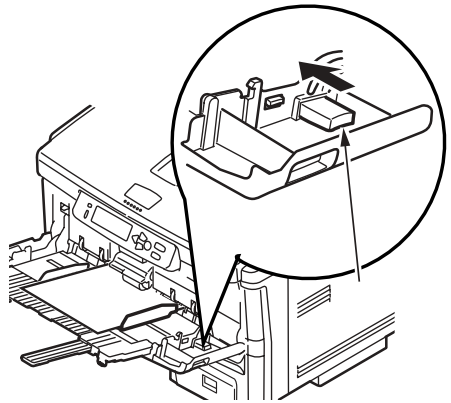
Letterhead Stationery

- *Single-sided printing:* load face **up**, top edge **into** the printer.
- *Double-sided printing:* load face **down** with top edge **away** from the printer.

Envelopes

- Load print side up (flap down) with top edge to the left and short edge into the printer.

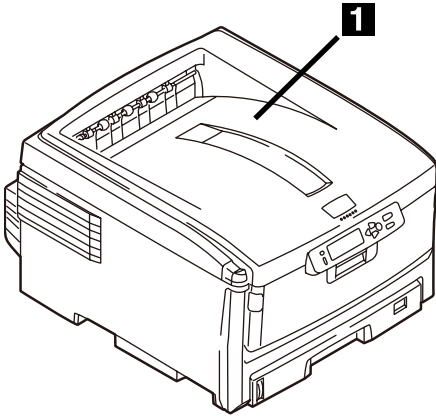
6



Exit Trays

Top (Face Down) Exit Tray

This is the exit tray that is normally used.



- For papers up to 47 lb. US Bond (176 g/m²).
- Holds up to 250 sheets of 20-lb. US Bond (75 g/m²) paper.
- Sheets exit face down.

Rear (Face Up) Exit Tray

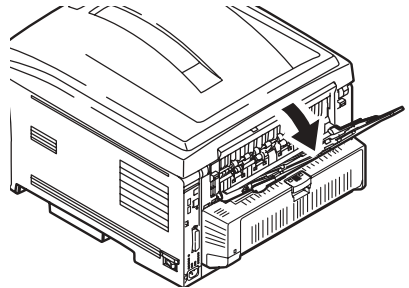
- Provides straight-through, curl-free print path for transparencies, envelopes, labels and heavy paper.
- Handles paper from 17 to 54 lb. US Bond (64 to 203 g/m²).
- Holds up to 100 sheets of 20-lb. US Bond (75 g/m²) paper.
- Sheets exit face up (for multi-page documents, select reverse order printing in your application Print dialog box).

Note

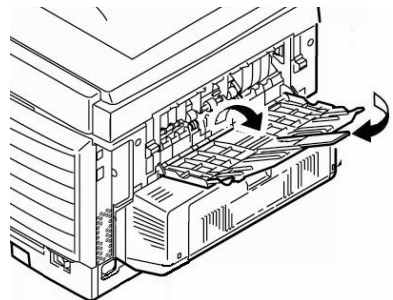
If the rear tray is open, all printed pages will exit there regardless of the printer driver setting.

Opening the Rear-Feed Tray

1



2



Duplex Printing (Printing on Both Sides of the Page)

Long Edge versus Short Edge

Long Edge



Short Edge



Specifications

Paper Weight

20 to 28 lb. US Bond (75 to 105 g/m²).

Note

If you experience curling with 20 or 24 lb. paper, switch to 28 lb.

Paper Feed

Tray 1, Optional Tray 2 or MP Tray.

Paper Exit

Top Exit Tray or Rear Exit tray.

Paper Sizes

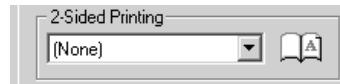
- **Standard:** Letter, Legal-14, Legal-13.5, Legal-13, Tabloid, Executive, A4, A5, B4, B5.
- **Custom:** *MP Tray only*, minimum 5.8" x 8¼" (148,5 x 182 mm), maximum 11.69 x 16.5" (297 x 420 mm).

How to Print a File Using the Duplexer

Open the file you wish to print and click File → Print. Select the C8800 Series printer.

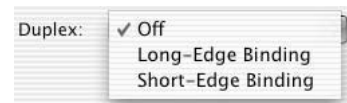
Windows

1. For all but Windows 2000, click Properties or Preferences. Otherwise go to step 2.
2. On the Setup tab, select Long Edge or Short Edge under 2-Sided Printing.



Macintosh

1. Under Presets, select Duplex.
2. Under Duplex, select Long-Edge Binding or Short-Edge Binding.



Power Save Mode

Power Save sets how long the printer waits before going into standby mode. This saves energy, but the printer requires time to warm up when it receives a print job or if you want to enter the menu and change settings.

Setting the Power Save Interval

1. Press + repeatedly until you see SYSTEM CONFIG MENU on the display.
2. Press ENTER.

POW SAVE TIME	
60 MIN	*

3. Press ENTER.
The second line of the display starts blinking.
4. Press + repeatedly until the value you wish to select (5, 15, 30, 60 [default], or 240 minutes) appears on the display.
5. Press ENTER twice.
The new setting is engaged and the second line of the display stops blinking.
6. Press ON LINE.

Disabling (or Re-enabling) Power Save

The printer comes set for Power Save enabled. To disable (or enable) Power Save

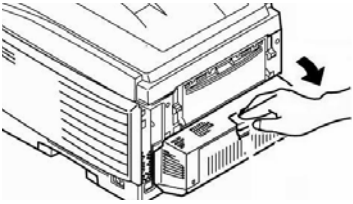
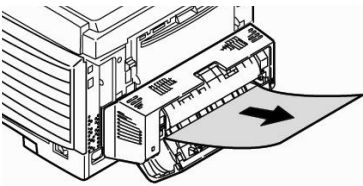
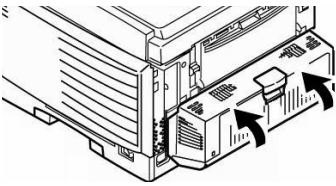
1. Press ENTER to enter the Menu mode.
2. Press - repeatedly until you see MAINTENANCE MENU on the display.
3. Press ENTER.
4. Press + repeatedly until you see

POWER SAVE	
ENABLE	*

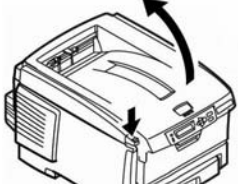

5. Press ENTER.
The second line of the display starts blinking.
6. Press + to toggle back and forth between DISABLE and ENBABLE.
7. Press ENTER twice.
The new setting is engaged and the second line of the display stops blinking.
8. Press ON LINE.

Clearing Media Jams Duplex (370, 373)

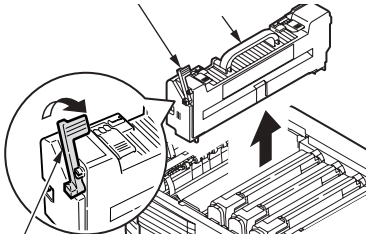
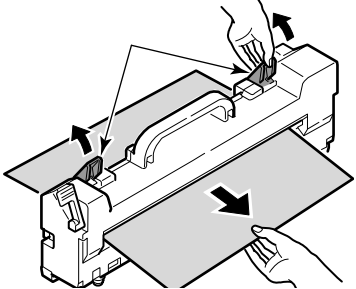
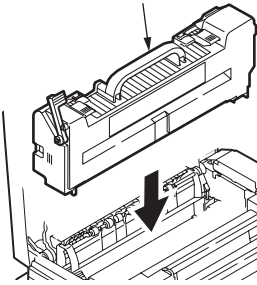
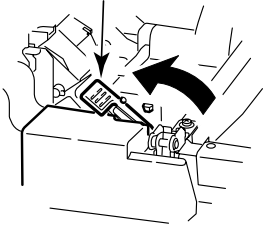
Jam 370 or 373

- 1 
- 2 
- 3 

Caution! Fuser may be hot!
If the Sheet is trapped in the Fuser:

- 1 
- 2 

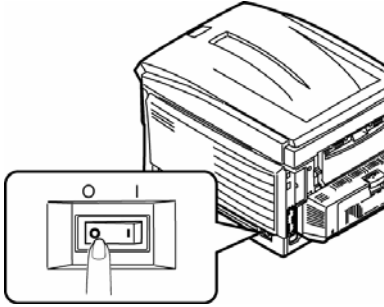
If sheet does not come out:

- 3 
- 4 
- 5 
- 6 

Clearing Media Jams Duplex (371)

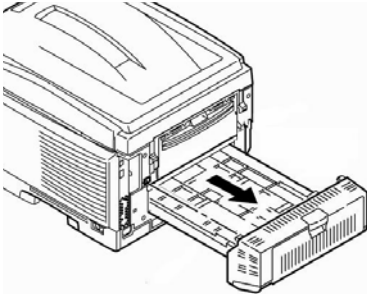
Jam 371

1

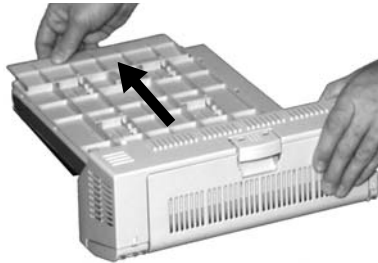


Power off!

2



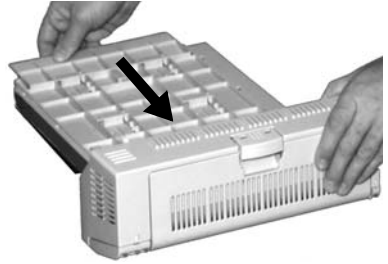
3



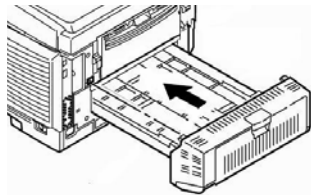
4



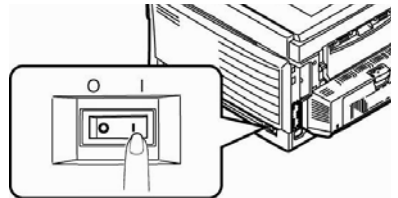
5



6



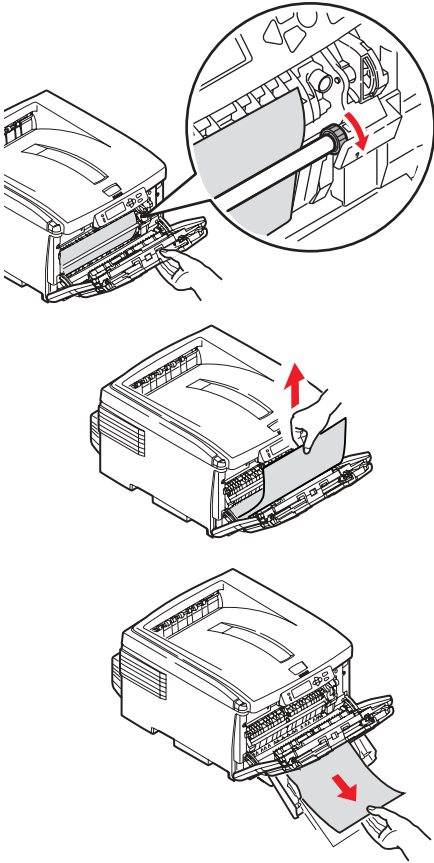
7



Clearing Media Jams

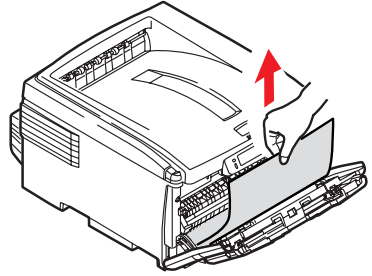
Paper Feed (372, 380, 390)

Front Cover Jams 372, 380

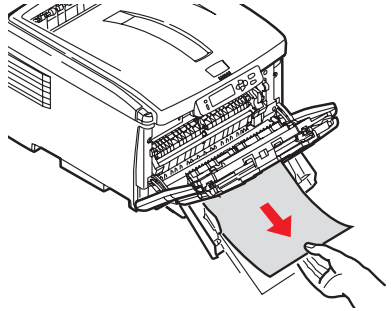


MP Tray Jam 390 (MP Tray)

1



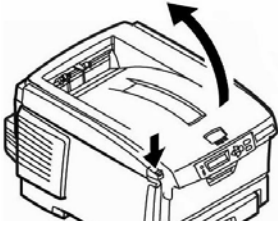
2



Clearing Media Jams Internal (381)

Jam 381

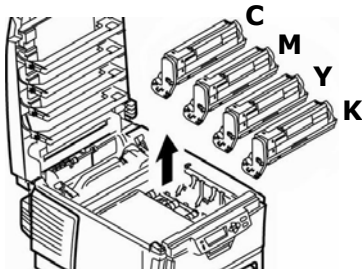
1



Caution!

The fuser behind the cyan (C) toner may be HOT.

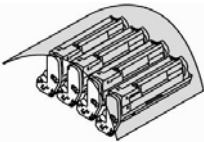
2



Caution!

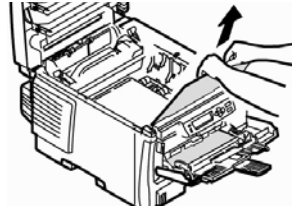
To avoid damage to the drums:

- Be sure to set the drums on a flat surface.
- Do not expose the drums to light for more than 5 minutes.



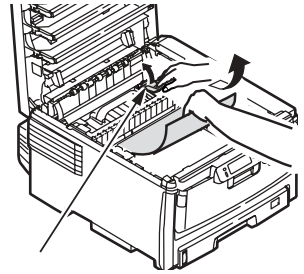
- Do not touch the shiny green area on the bottom.

3

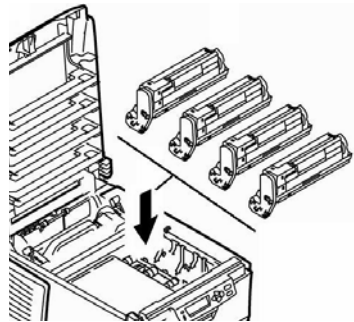


Note

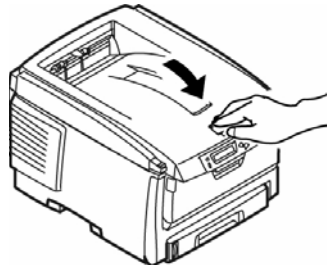
To remove a sheet trapped in the fuser:



4



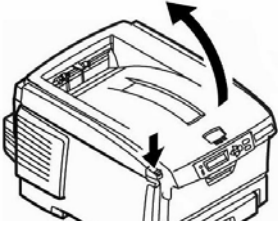
5



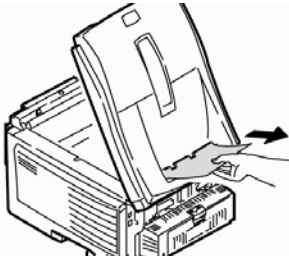
Clearing Media Jams Internal (382, 383)

Jams 382, 383

1

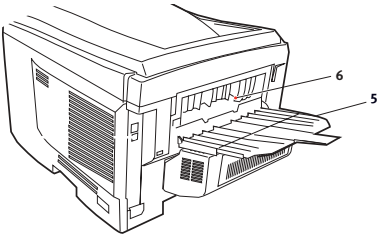


2

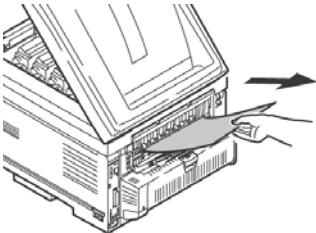


- If the sheet does not come out easily, continue.

3



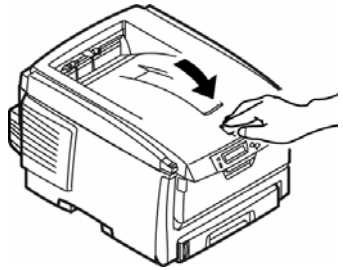
4



5

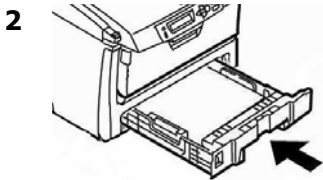
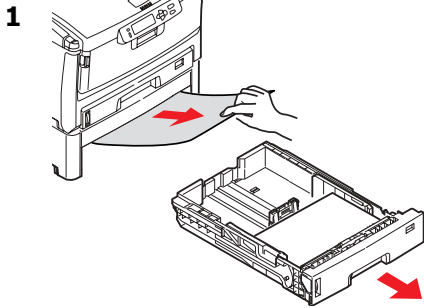


6

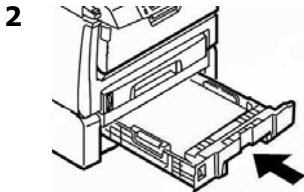
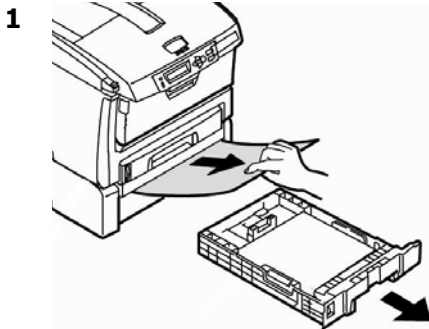


Clearing Media Jams Paper Tray (391, 392)

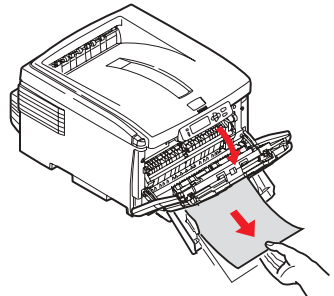
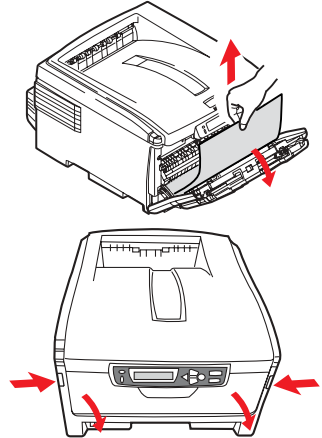
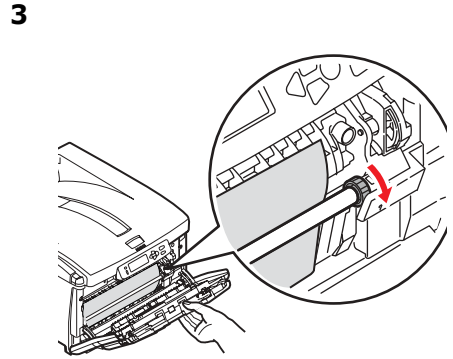
Jam 391 (Tray 1)



Jam 392 (Optional Tray 2)



Jam 391 or 392



Common Error Messages

For additional error messages, see your on-line User's Guide.

XXX TONER SENSOR ERROR

Open the cover. Push the **XXX** Toner lock lever toward the back of the printer as far as it will go. Close the cover. If this does not clear the message, call your local service dealer.

ORDER XXX

Appears on the second line of the display to indicate that consumable XXX (E.g., toner cartridge, image drum, belt, fuser) is nearing end of life.

Note

If you have changed the LOW TONER setting to STOP, the ATTENTION light will blink and you must either replace the toner cartridge immediately or press the ON LINE button to continue printing.

Be sure you have a genuine OKI replacement toner cartridge on hand (see page 5).

REPLACE TONER nnn: XXXX TONER EMPTY

Replace the **XXXX** toner cartridge with a genuine OKI Toner Cartridge.

XXXX LIFE

Appears on the second line of the display to indicate that consumable xxx needs to be replaced.

Replace the indicated item. (See the instructions supplied with the item.)

LOAD mmm/ppp AND PRESS ONLINE SWITCH nnn: ttt MEDIA MISMATCH

The media type in the indicated tray (ttt) does not match that specified in the print job being processed.

Load the appropriate media in the tray and press ON-LINE.

LOAD mmm/ppp AND PRESS ONLINE SWITCH nnn: ttt SIZE MISMATCH

The media size (mmm) and/or type (ppp) loaded in the indicated tray (ttt) does not match that specified in the print job being processed.

Load the appropriate media in the tray and press ON-LINE.

Common Error Messages (cont.)

ADD MORE MEMORY 420: MEMORY OVERFLOW

- Reduce the size of the file being printed (e.g., print the file as separate groups of pages instead of all the pages at one time).
- Install additional memory in the printer (see your on-line User's Guide for more information).

LOAD mmm nnn: tttt EMPTY

Load more media (mmm) in the indicated tray (tttt).

CANCELING JOB (USER DENIED)

The Job Accounting software has detected a print job from a user who is either

- not authorized to print
or
- trying to print a color job and only authorized to print black and white jobs.

The user should contact the System Administrator to see if their authorization can be changed.

CANCELING JOB (JAM)

The setting for Jam Recovery in the menu (under SYS COHNFIG MENU) has been changed to OFF. Any unprinted data is being deleted.

Clear the jam (see page 16, ff.).
Resend the missing pages of the print job.

nnn: PAPER JAM

Paper has jammed.
Clear the jam: see page 16, ff.

PRESS ONLINE SWITCH INVALID DATA

The printer has received invalid data.
Press ON-LINE. Reprocess and resend the print job.

Service & Support

First ...

Consult the store where you purchased your printer.

Additional OKI Resources

- Available 24 hours a day, 7 days a week
- Visit **MY.OKIDATA.COM** for the latest information on
 - drivers and utilities
 - troubleshooting
 - Product news
 - and much more!
- Call 1-800-654-3282.

OKI is a registered trademark of Oki Electric Industry Company, Ltd.

AmEx is a registered trademark of American Express Co.

MasterCard is a registered trademark of MasterCard International, Inc.

VISA is a registered trademark of Visa.

Windows is either a registered trademark or trademark of Microsoft Corporation in the United States and other countries.

Commande de fournitures

Comment s'y prendre

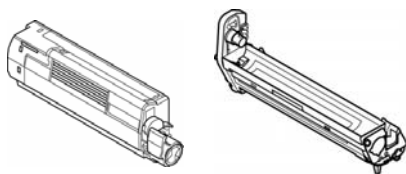
- Voyez le revendeur qui vous a vendu votre imprimante.
- Voyez un revendeur ou un service après-vente Oki Data agréé. (Pour connaître le revendeur le plus proche, composez le 1 800 654-3282.)
- Voyez les catalogues de fournitures de bureau.

Numéros de commande

Toners / Tambours

Importante!

Utilisez uniquement des cartouches de toner OKI d'origine.



Cartouche de toner	Num. de réf. Oki
Noir	43487736
Cyan	43487735
Magenta	43487734
Juane	43487733

Tambour	Num. de réf. Oki
Noir	43449028
Cyan	43449027
Magenta	43449026
Jaune	43449025

Unités de fusion et courroie de transfert

Élément	Num. de réf. Oki
Unité de fusion, 120V	43529404
Unité de fusion 230V	43529409
Courroie de transfert	43449704

Installation

Ces éléments comprennent des directives d' installation.

L'utilisation des menus de l'imprimante

Déplacement

Remarque

Les paramètres du pilote d'imprimante ont préséance sur les paramètres du menu de l'imprimante.

Déplacement dans le menu

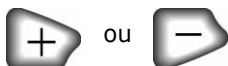
1. Appuyez sur

ENTER



pour accéder au mode Menu.

2. Appuyez à plusieurs reprises sur



pour parcourir les catégories, éléments et valeurs.

3. Appuyez sur

ENTER



pour sélectionner une catégorie, un élément ou une valeur ou pour confirmer le nouveau réglage d'une valeur.

1. Appuyez sur

ON LINE



pour quitter le mode Menu.

Par exemple

Si le bac MF est utilisé pour les index cards configurez le menu d'impression comme suit

1. Appuyez sur ENTER.
2. Appuyez sur + jusqu'à ce que s'affiche

MEDIA MENU

3. Appuyez sur ENTER.
4. Appuyez à plusieurs reprises sur + jusqu'à ce que MPT PAPERSIZE s'affiche.
5. Appuyez sur Enter.
6. Appuyez à plusieurs reprises sur + jusqu'à ce que INDEX CARD s'affiche.
7. Appuyez sur Enter.
Un astérisque () s'affiche à côté du paramètre sélectionné.*
8. Appuyez sur On Line.

L'utilisation des menus de l'imprimante

Sommaire Menu

Sommaire la catégories de menu

► **Menu Informations**

Impression de MenuMap, les paramètres réseau Netware ou d'une page de démonstration.

► **Menu Arrêt**

Ce menu n'apparaît que si le disque dur est installé. Cette option doit toujours être sélectionnée avant d'arrêter l'imprimante, de façon à ce qu'aucune donnée du disque dur ne soit perdue.

► **Menu d'impression**

Configure le nom du paramètre, alimentation, etc.

► **Media Menu**

Configure le format de support et le grammage du support pour les bacs, etc.

► **Menu Couleur**

Configure la densité couleur, le calage de la couleur, etc

► **Menu Config. Système**

Configure l'économie d'énergie, le délai d'interruption, etc.

► **Emulation PCL**

Ce menu permet de régler les paramètres effectifs lorsque l'imprimante fonctionne en mode d'émulation PCL.

► **Emulation PCL PPR**

Ce menu permet de régler les paramètres effectifs lorsque l'imprimante fonctionne en mode d'émulation PPR.

► **Emulation FX**

Ce menu permet de régler les paramètres effectifs lorsque l'imprimante fonctionne en mode d'émulation FX.

► **Menu Parallele**

Ce menu permet de contrôler l'interface de données pour port parallèle de l'imprimante.

► **Menu USB**

Configure les paramètres USB.

► **Menu Réseau**

Configure les paramètres de réseau.

► **Menu Maintenance**

Activation/désactivation de la gestion énergétique et configure d'autres paramètres de l'imprimante.

► **Menu Usage**

Compte des pages et durée de vie prévue en pourcentage des consommables.

Impression de la liste des paramètres courants des menus (MenuMap)

La liste des menus (MenuMap) comprend la liste des paramètres de menu courants.

9. Appuyez une ou plusieurs fois sur + jusqu'à ce vous voyez

MENU INFORMATIONS

10.Appuyez sur ENTER.

IMPRIMER MAPPE MENU
EXÉCUTER

11.Appuyez sur ENTER.

La liste des paramètres courants de menu s'imprime et l'imprimante se remet en ligne.

Paramètres de support d'impression

Assurez-vous que le paramétrage de support correspond au support utilisé.

Des paramètres de support erronés :

- entraînent une impression de qualité médiocre
- provoquent un écaillage
- peuvent endommager l'imprimante

Pilote d'imprimante c. Menu de l'imprimante

Les paramètres du pilote d'imprimante ont préséance sur les paramètres du menu de l'imprimante.

Paramètres par défaut

Le paramètre par défaut de grammage du support pour tous les bacs est Moyen.

Restauration des valeurs par défaut d'origine

1. Appuyez sur ENTER.
2. Appuyez à plusieurs reprises sur + jusqu'à ce que MENU MAINTENANCE s'affiche.
3. Appuyez sur ENTER.
4. Appuyez sur ENTER.
L'imprimante est remise à l'état initial et se met en ligne.

Modification temporaire du paramètres de support pour les travaux d'impression individuels

Si vous effectuez un travail d'impression sur un support spécial, vous pouvez charger provisoirement le support dans un bac et modifier les paramètres de support de ce bac dans le pilote d'imprimante.

Plage de paramètres de grammage des supports pour l'imprimante

Le paramétrage de grammage du support peut être effectué dans le pilote ou le menu de l'imprimante.

Paramétrage de grammage de support

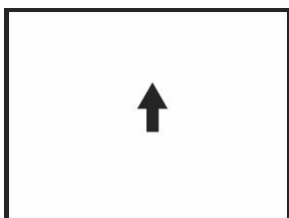
Paramètre	Grammage
Light (Léger)	Bond US : 17 à 19 lb. Index : 35 à 40 lb. Métrique : 64 à 71 g/m ²
Medium (Moyen)	Bond US : 20 à 24 lb. Index : 42 à 50 lb. Métrique : 75 à 90 g/m ²
Heavy (Lourd)	Bond US : 24 à 32 lb. Index : 50 à 67 lb. Métrique : 90 à 121 g/m ²
Ultra Heavy (Très lourd)	Bond US : 32 à 53 lb. Index : 67 à 110 lb. Métrique : 121 à 200 g/m ²

Bac 1 et bac 2 optionnel

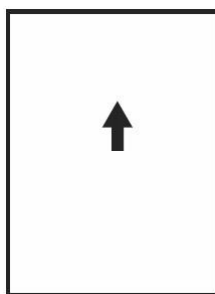
Paramètres de support

Grammage du support :	<i>Bac 1 : Bond US de 17 à 32 lb (64 à 120 g/m²) Bac 2 optionnel : Bond US de 17 à 47 lb (64 à 176 g/m²)</i>
Plage de formats de support :	Lettre (LEF*), Lettre (SEF**) [<i>bac 2 uniquement</i>], légal 14, légal 13,5, légal 13, Tabloide, Executive, A4 (LEF) (LEF), A5 (SEF), A6 (SEF) [<i>bac 1 uniquement</i>], B4, B5
Les formats personnalisés : doivent être définis dans le pilote d'imprimante avant l'impression : consultez le Guide de l'utilisateur en ligne.	<i>Impression simple (l'impression recto):</i> <ul style="list-style-type: none">• Min.: 3,94 x 5,83" (100 x 148 mm)• Max.: 11 x 17" (279.4 x 431.8 mm) <i>Impression recto verso (impression sur deux côtés):</i> de série sur les modèles C8800dn and C8800dtn, optionnel sur le modèle C8800n): <ul style="list-style-type: none">• Min.: 5,8 x 8,25 po (148 x 210 mm)• Max.: 11 x 17 po (279.4 x 431.8 mm)
Capacité :	<i>Bac 1 : 300 feuilles de 20 lb (75 g/m²) Bac 2 optionnel : 530 feuilles de 20 lb (75 g/m²)</i>

* LEF = alimentation côté long:

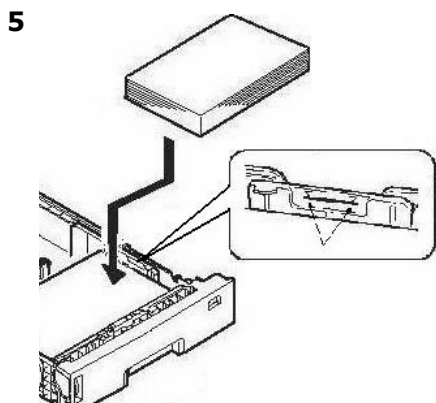
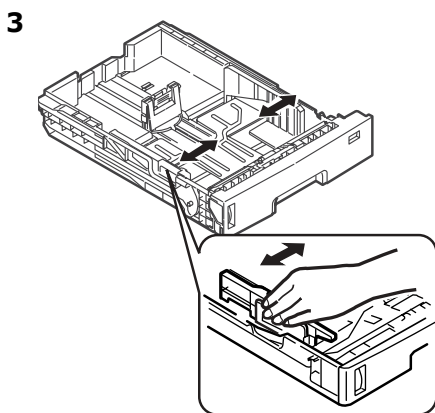
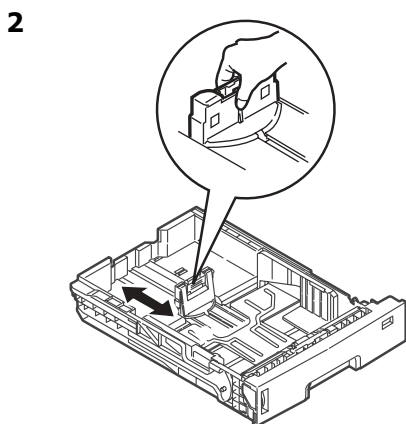
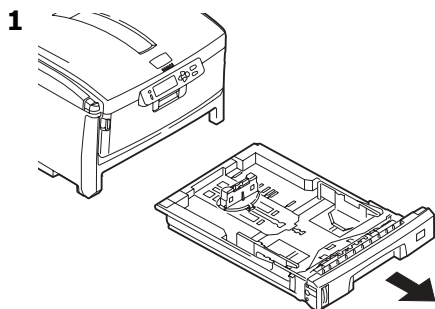


** SEF = Alimentation côté court:

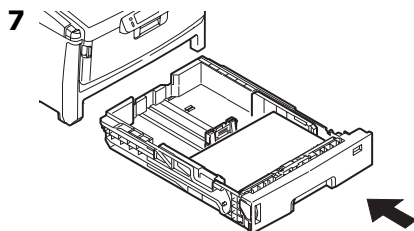
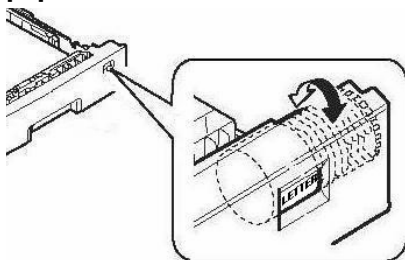


Bac 1 et bac 2 optionnel (suite)

Chargement du papier

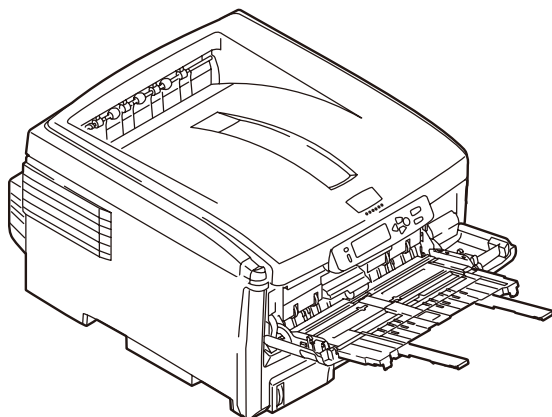


6 Importante! Définissez la nuérotation du format de papier comme le format de papier utilisé.



Bac multifonction

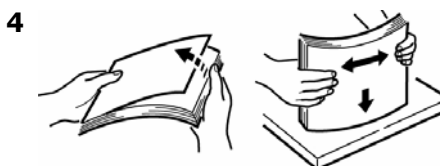
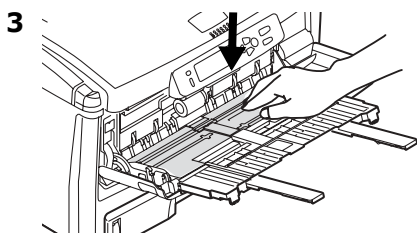
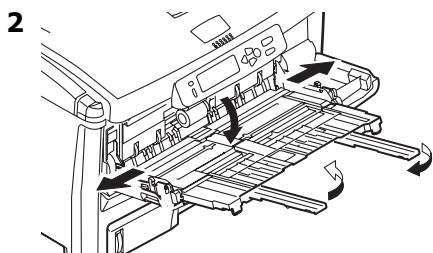
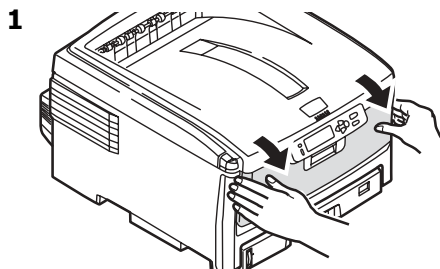
Paramètres de support



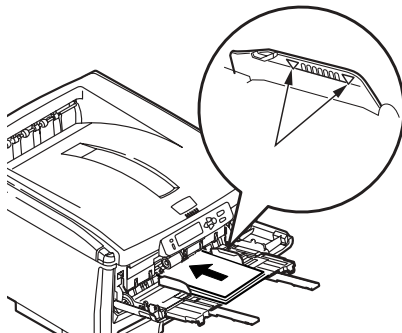
Plage de grammages :	<i>Bond US</i> de 20 à 53 (Index 42 à 110 lb., métrique 75 à 200 g/m ²)
Plage de formats de support :	Lettre LEF*, Lettre SEF*, légal 14, légal 13,5, légal 13, Tabloide, Executive, A4 SEF, A4 LEF, A5 SEF, A6, B4, B5 SEF, B5 LEF, et voyez le page 29.
Plage de formats : définis dans le pilote avant l'impression : voyez le Guide de l'utilisateur en ligne pour plus d'information.	Min. = 3,94 x 5,83 po (105 x 148 mm) Max. = 11 x 17 po (279.4 x 431.8 mm). Défaut = Lettre <i>Bannières</i> : 8,25 à 8,5 po (210 à 216 mm) de largeur, jusqu'à 47,25 po (1,2 m) de longueur. Alimenter les bannières une à la fois.
Capacités :	<ul style="list-style-type: none">• 100 feuilles de 20 lb (75 g/m²)• 50 transparents• 10 enveloppes• Étiquettes : alimentation d'une pile d'environ 1 cm de hauteur max.

Bac multifonction (SUITE)

Chargement du papier



5



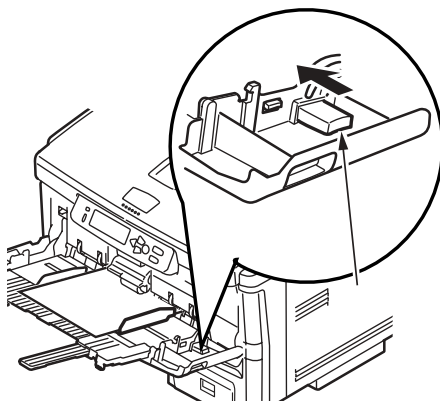
Papier à en-tête :

- Impression recto (un côté) : charger la face d'impression **vers le haut**, partie **supérieure** dans l'imprimante.
- Impression recto verso (2 côtés) : charger la face d'impression **vers le bas**, partie **supérieure vers l'extérieur** de l'imprimante.

Enveloppes

- Chargez le côté d'impression vers le haut (volet face vers le bas), le bord supérieur vers la gauche et le côté couvert dans l'imprimante.

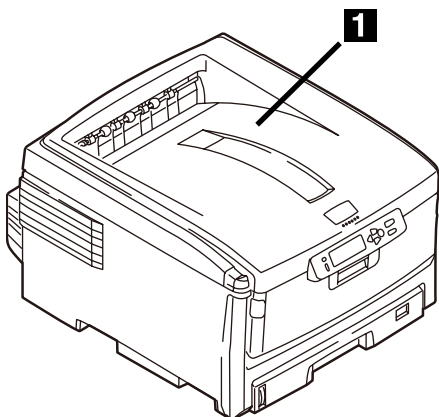
6



Bacs de sortie

Bac de sortie supérieur (face vers le bas)

Ce bac de sortie est celui normalement utilisé.



- Peut contenir du papier bond US jusqu'à 47 lb (176 g/m²).
- Peut contenir jusqu'à 250 feuilles de papier bond US de 20 lb (75 g/m²).
- Les imprimés sont empilés face vers le bas.

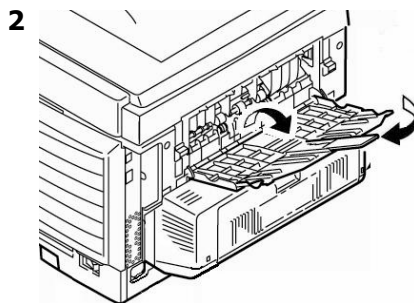
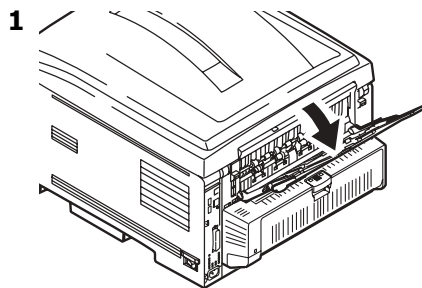
Bac de sortie arrière (face en dessus)

- Offre un chemin d'impression sans courbure et direct pour les transparents, les enveloppes, les étiquettes et le papier épais.
- Peut contenir du papier bond US de 17 à 54 lb. (64 to 203 g/m²).
- Peut contenir jusqu'à 100 feuilles de papier bond US de 20 lb (75 g/m²).
- Les imprimés sont empilés face vers le haut (pour les documents comportant plusieurs pages, sélectionnez l'impression en ordre inversé dans la boîte de dialogue Imprime).

Remarque

Si le bac de sortie arrière est ouvert, toutes les pages imprimées y sortiront, peu importe les réglages du pilote.

Ouvrez le bac de sortie arrière



Impression duplex (recto verso) (sur les deux côtés d'une page)

Grand côté c. petit côté

Grand côté



Petit côté



Spécifications

Grammage des supports

Bond US de 20 à 28 lb (75 à 105 g/m²).

Remarque

Si le papier de 20 à 24 lb roule, utilisez du papier de 28 lb.

Alimentation papier

Bac 1, Bac 2 (optionnel), ou Bac MF.

Plateau de sortie papier

Plateau supérieur ou plateau arrière.

Formats de papier

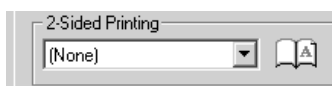
- **Standard** : lettre, légal 14, légal 13,5, légal 13, Tabloide, Executive, A4, A5, B4, B5.
- **Personnalisé** : *Bac MF uniquement*, minimum 5.8 x 8¼ po (148 x 210 mm), maximum 11.69 x 16.5 po (297 x 420 mm)

Comment imprimer un fichier avec le Duplexeur

Ouvrez le fichier à imprimer et cliquez sur File [Fichier] → Print [Imprimer]. Sélectionnez l'imprimante Série C8800.

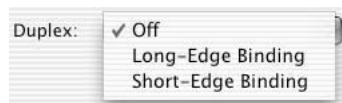
Windows

1. Pour tous les systèmes sauf Windows 2000, cliquez sur Properties [Propriétés] ou Preferences [Préférences].
2. Dans l'onglet Setup [Configuration], sous 2 Sided Printing [Impression recto verso], sélectionnez Long Edge; [Côté long] ou Short Edge [Côté court].



Macintosh

1. Sous Presets [Préréglages], sélectionnez Duplex [Recto verso].
2. Sous Duplex [Recto verso], sélectionnez Long-Edge Binding [Reliure côté long] ou Short-Edge Binding [Reliure côté court].



Mode d'économie d'énergie

La gestion énergétique permet de configurer le délai requis pour l'imprimante avant de passer en mode d'attente. Cela permet d'économiser de l'énergie, mais l'imprimante requiert un délai de préchauffage lorsqu'elle reçoit un travail d'impression ou si vous accédez au menu et modifiez des paramètres.

Configuration du délai d'attente

1. Appuyez à plusieurs reprises sur + jusqu'à ce que MENU CONFIG SYSTÈME s'affiche à l'écran.
2. Appuyez sur ENTER.

DÉLAI ÉCONOMIE ÉNERGIE	
60 MIN	*

3. Appuyez sur ENTER.
La deuxième ligne de l'affichage clignote.
4. Appuyez à plusieurs reprises sur + jusqu'à ce que la nouvelle valeur que vous désirez utiliser (5, 15, 30, 60 [défaut] ou 240 minutes) s'affiche sur la deuxième ligne de l'affichage.
5. Appuyez deux fois sur ENTER.
Le paramètre Enterre est validé et la deuxième ligne de l'affichage cesse de clignoter.
6. Appuyez sur ON LINE.

Activation (ou désactivation) de la gestion énergétique

Par défaut, la fonction d'économie d'énergie de l'imprimante est activée. Pour désactiver (ou activer) la gestion énergétique :

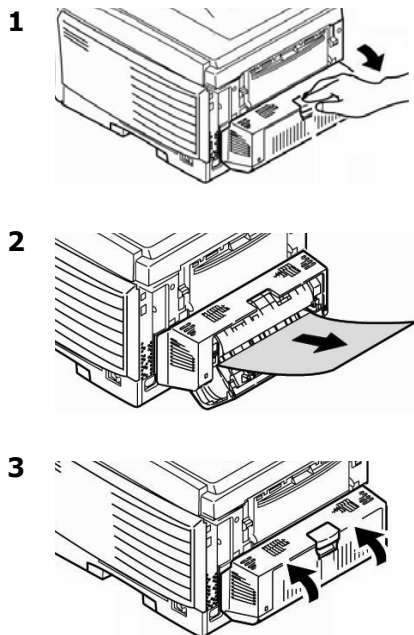
1. Appuyez sur ENTER pour accéder au mode Menu.
2. Appuyez à plusieurs reprises sur + jusqu'à ce que MENU MAINTENANCE s'affiche à l'écran.
3. Appuyez sur ENTER.
4. Appuyez à plusieurs reprises sur + jusqu'à ce vous voyez

ÉCONOMIE ÉNERGIE	
ACTIVÉ	*

5. Appuyez sur ENTER.
La deuxième ligne de l'affichage clignote.
6. Appuyez sur + pour commuter entre ACTIVÉ et DÉACTIVÉ.
7. Appuyez deux fois sur ENTER.
Le paramètre est validé et la deuxième ligne de l'affichage cesse de clignoter.
8. Appuyez sur ON LINE.

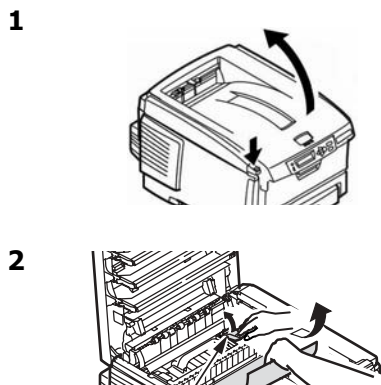
Dégagement des bouchages Duplex (370, 373)

Bouchage 370 ou 373

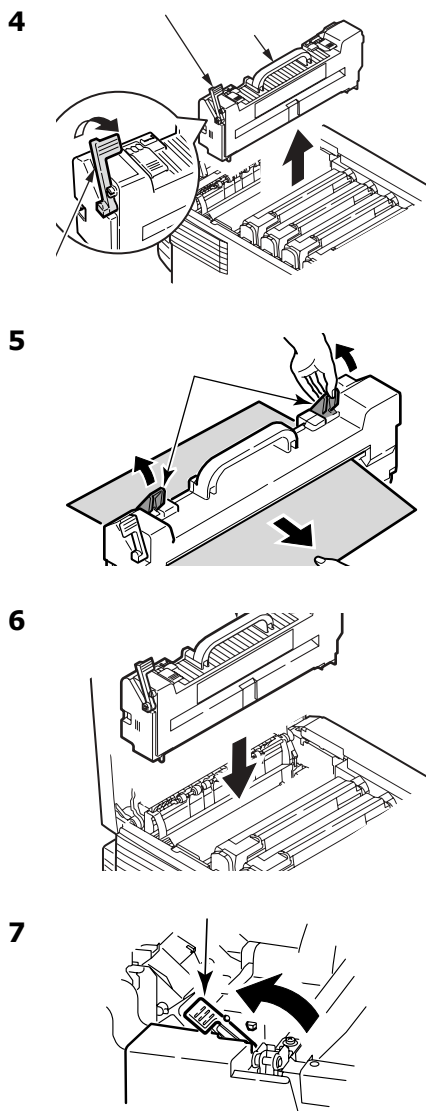


**Mise en garde! L'unité de fusion
(à l'arrière du toner cyan [C])
peut être brûlante!**

**Pour retirer une feuille bloquée
dans l'unité de fusion:**



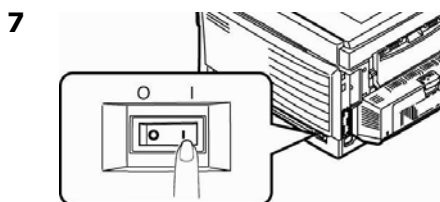
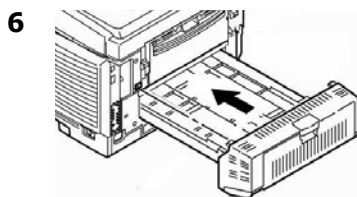
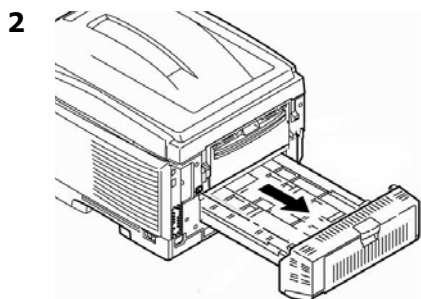
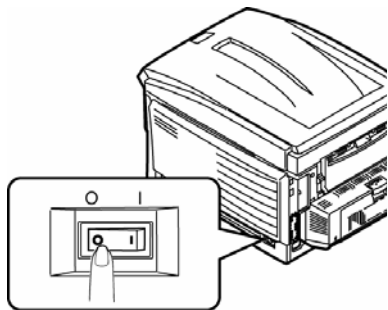
**3 Lorsque celle-ci est sortie
d'imprimante:**



Dégagement des bouchages Duplex (371)

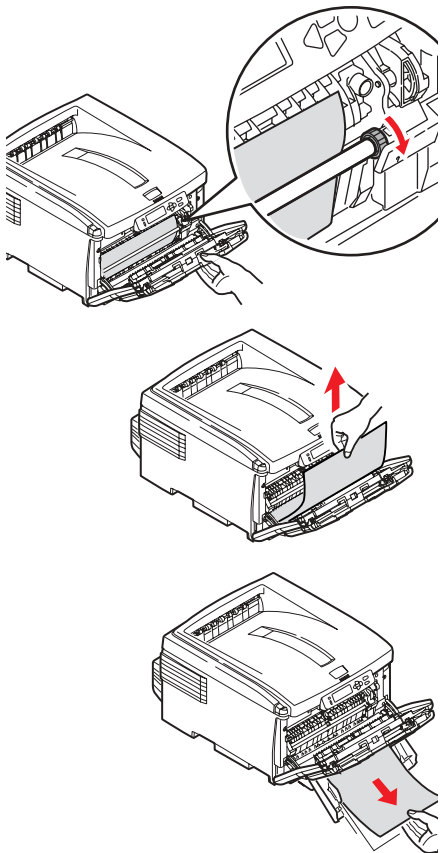
Bouillage 371

1 Éteignez l'imprimante!



Dégagement des brouillages Alimentation papier (372, 380, 390)

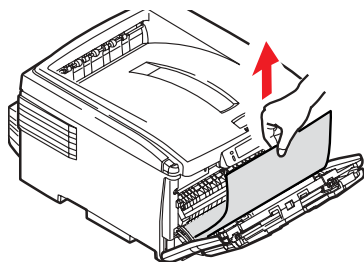
Brouillages du capot avant 372, 380



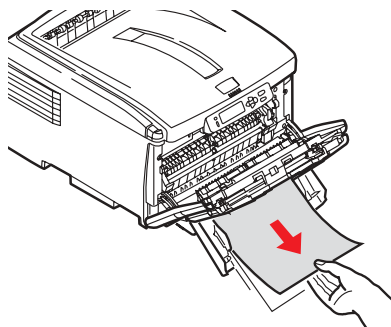
Brouillage au bac MF 390

Lorsque la feuille ne peut être retirée facilement depuis le capot avant :

1



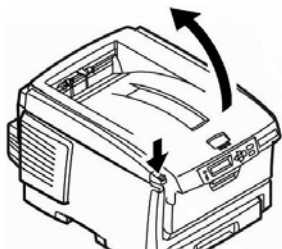
2



Dégagement des brouillages Interne (381)

Bouillage 381

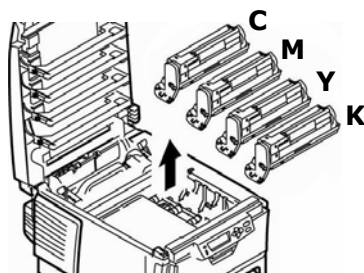
1



Mise en garde!

L'unité de fusion (à l'arrière du toner cyan [C]) peut être BRÛLANTE.

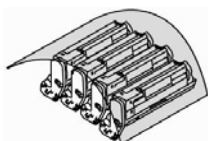
2



Mise en garde!

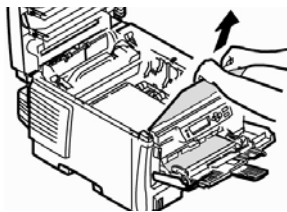
Pour éviter d'endommager les tambours :

- Posez les tambours sur une surface plane.
- N'exposez pas les tambours à la lumière pendant plus de cinq minutes.



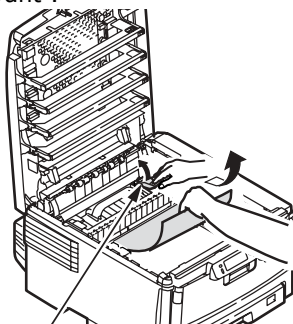
- Ne touchez pas à la partie verte brillante au bas des tambours.

3

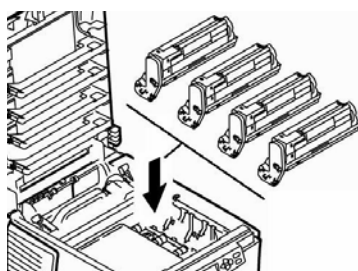


Remarque

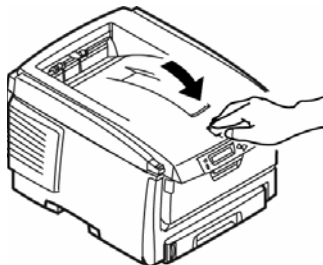
Lorsque la feuille ne peut être retirée facilement depuis le capot avant :



4



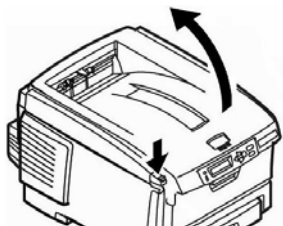
5



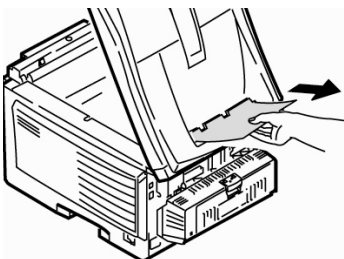
Dégagement des brouillages Interne (382, 383)

Brouillages 382, 383

1

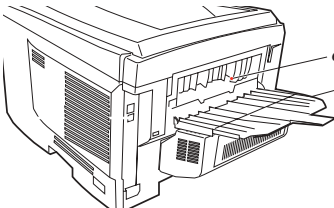


2

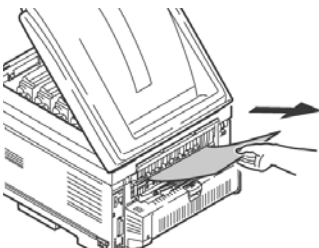


- Si la feuille ne sort pas facilement, passez à l'étape 3.

3



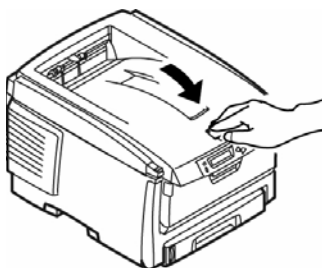
4



5

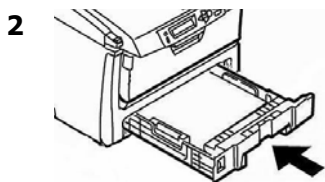
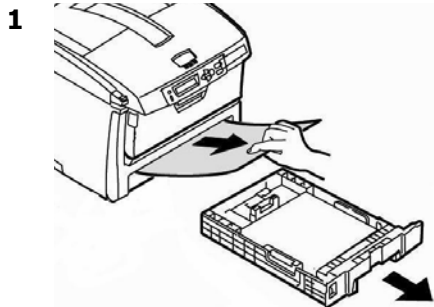


6

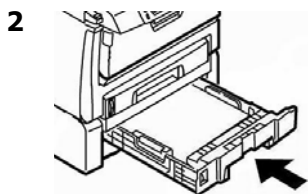
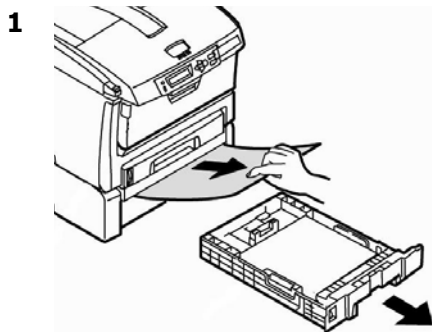


Dégagement des bouchages Bac à papier (391, 392)

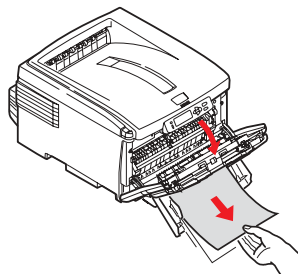
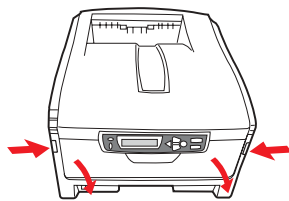
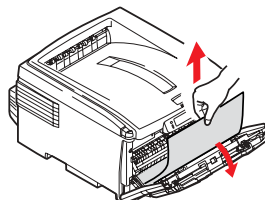
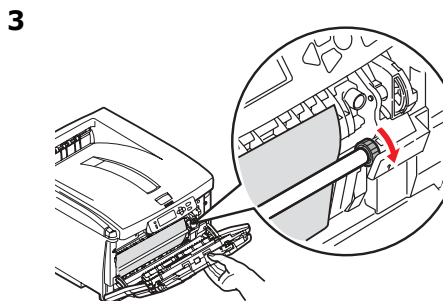
Bouillage 391 (Bac 1)



Bouillage 392 (Bac 2 optionnel)



Les bacs complètement 391 ou 392



Messages d'erreur courants

Pour les messages d'erreur supplémentaires, consultez le Guide de l'utilisateur en ligne.

XXX TONER SENSOR

ERR CAPTEUR TONER XXX

Ouvrez le capot supérieur. Poussez le levier de verrouillage vers l'arrière de l'imprimante, jusqu'à butée. Fermez le capot. Si cela n'efface pas le message, appelez votre dépanneur local.

ORDER XXX

COMMANDER XXX

S'affiche sur la deuxième ligne de l'écran pour indiquer que la vie utile du consommable xxx (p. ex., courroie de transfert, unité de fusion, cartouche de toner, tambour d'impression) est presque terminée.

Remarque

Si vous avez modifié le paramètre TONER BAS à STOP, le témoin ATTENTION clignotera et vous devrez remplacer immédiatement la cartouche de toner ou appuyer sur la touche ON LINE pour continuer l'impression.

Prévoyez une cartouche de toner de rechange d'origine OKI (consulte la page 25).

REPLACE TONER nnn: XXX TONER EMPTY

REEMPLACER TONER nnn : TONER XXXX VIDE

Remplacez une cartouche de toner par une cartouche de toner OKI d'origine.

XXXX LIFE

DURÉE XXXX

S'affiche sur la deuxième ligne de l'écran pour indiquer que le consommable xxx (p. ex., courroie de transfert, unité de fusion, cartouche de toner, tambour d'impression) devra être remplacé bientôt.

Remplacez le composant indiqué. (Suivez les directives accompagnant le nouveau l'élément.)

Messages d'erreur courants (suite)

**LOAD mmm/ppp AND PRESS
ONLINE SWITCH
nnn: ttt MEDIA MISMATCH**

**CHARGEZ mmm/ppp ET
APPUYEZ SUR ON-LINE
nnn : NON CONCORDANCE
SUPPORT tttt**

Le type de support indiqué pour le bac (tttt) ne correspond pas au type spécifié dans le travail d'impression en traitement.

Chargez le support approprié dans le bac et appuyez sur ON-LINE.

**LOAD mmm/ppp AND PRESS
ONLINE SWITCH
nnn: ttt SIZE MISMATCH**

**CHARGEZ mmm/ppp ET
APPUYEZ SUR ON-LINE
nnn : NON CONCORDANCE
FORMAT tttt**

Le format de support (mmm) et/ou le type (ppp) chargé dans le bac (tttt) ne correspond pas au format de support spécifié dans le travail d'impression en traitement.

Chargez le support approprié dans le bac et appuyez sur ON-LINE.

**ADD MORE MEMORY
420: MEMORY OVERFLOW**

**AJOUTER MÉMOIRE
420 : DÉPASSEMENT MÉMOIRE**

- Réduisez la taille du fichier en cours d'impression (p. ex., imprimez le fichier en groupes séparés de pages au lieu de tout imprimer à la fois).
- Installez de la mémoire supplémentaire dans l'imprimante (voyez le guide de l'utilisateur en ligne pour plus d'information).

**LOAD mmm
nnn: ttt EMPTY**

**CHARGER mmm
nnn: ttt VIDE**

Chargez le support mmm dans le bac (tttt) indiqué.

Messages d'erreur courants (suite)

CANCELLING JOB (USER DENIED)

ANNULATION TRAVAIL (UTILISATEUR REFUSÉ)

L'application de comptabilité des travaux a détecté un travail d'impression d'un utilisateur

- non autorisé à imprimer
ou
- tentant d'imprimer un travail couleur et que celui-ci n'est autorisé que pour l'impression monochrome.

L'utilisateur doit communiquer avec l'administrateur système pour faire modifier ses autorisations.
(tttt) indiqué.

CANCELLING JOB (JAM)

ANNULATION TRAVAIL (BLOPAGE)

L'élément de menu JAM RECOVERY (REPRISE APRÈS BOURRAGE) a été désactivé et un bourrage s'est produit. Les données non imprimées sont alors supprimées.

Supprimez le bourrage et imprimez de nouveau les pages manquantes du travail d'impression.

nnn: PAPER JAM

nnn : BOURRAGE PAPIER

Bourrage papier.

Supprimez le bourrage; consultez la page 36, ff.

PRESS ONLINE SWITCH INVALID DATA

APPUYEZ SUR ON-LINE DONNÉES NON VALIDES

L'imprimante a reçu des données non valides.

Appuyez sur ON-LINE. Relancez le travail d'impression.

Service et support

D'abord...

consultez le revendeur qui vous a vendu votre imprimante.

Ressources Oki supplémentaires

- Offert 24 heures sur 24, 7 jours sur 7
- Visitez notre site Web multilingue : **WWW.OKIPRINTINGSOLUTIONS.COM**.
- Visitez **MY.OKIDATA.COM** (Anglais uniquement).
- Composez le 1 800 654-3282.

Oki est une marque déposée de Oki Electric Industry Company, Ltd.

AmEx est une marque déposée de American Express Co.

MasterCard est une marque déposée de MasterCard International, Inc.

VISA est une marque déposée de Visa.

Windows est une marque de commerce ou une marque déposée de Microsoft Corporation aux États-Unis et dans d'autres pays.

Cómo hacer sus pedidos de suministros

Cómo hacer pedidos

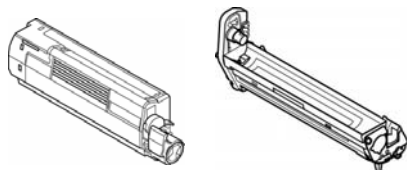
- Consulte el distribuidor donde compró su impresora.
- Consulte un Distribuidor autorizado o un Proveedor de Servicios de Oki Data. (Para averiguar cual es el distribuidor más cercano, llame al 1-800-654-3282.)
- *Solo en EE.UU., Puerto Rico, Guam, Islas Vírgenes (EE.UU.):* Haga sus pedidos en la Internet WWW.OKIPRINTINGSOLUTIONS.COM.
- *Solo EE.UU.:* Llamada sin cargo al 1-800-654-3282, y utilice su tarjeta VISA[®], MasterCard[®] o AMEX[®].

Número de los repuestos

Tóners / Cilindros

¡Importante!

Sólo utilice Cartuchos de tóner originales de Oki.



Tóner	No. de pieza
Negro	43487736
Cian	43487735
Magenta	43487734
Amarillo	43487733

Cilindro	No. de pieza
Negro	43449028
Cian	43449027
Magenta	43449026
Amarillo	43449025

Fusors y cinta de transporte

Consumible	No. de pieza
Fusor, 120V	43529404
Fusor, 230V	43529409
Cinta de transporte	43449704

Instalación

Estos items incluyen las instrucciones de instalación.

Uso el menú de la impresora

Navegar

Nota

Los ajustes del controlador de la impresora normalmente anulan los del menú.

Navegar del modo menú

1. Presione

ENTER



para entrar en modo Menú.

2. Presione



varias veces para deslizarse en los categorías, ítems e valores.

3. Presione

ENTER



para cambiar Category (Categoría), Item (Ítem) o Value (Valor) o para guardar los cambios hechos a Value (Valor).

1. Presione

ON LINE



para salir del modo menú.

Por ejemplo

Si generalmente va a cargar index cards en la Bandeja MU, configure el menú de la impresora como sigue:

1. Presione ENTER.
2. Presione + varias veces hasta que aparezca el mensaje

MEDIA MENU

3. Presione ENTER.
4. Presione + varias veces hasta que MPT PAPERSIZE aparezca.
5. Presione ENTER.
6. Presione + varias veces hasta que INDEX CARDS aparezca en la segunda línea de la pantalla.
7. Presione ENTER.

Aparece un asterisco al lado de su selección. Se fija el ajuste.

8. Presione ON LINE.

Uso el menú de la impresora

Resumen de la menú

Resumen de las categorías

► Menú Informativo

Imprima el MenuMap, Resumen de red o una hoja demo.

► Menú de apagado

Este menú sólo aparece si está instalada la unidad de disco duro. Este elemento debe seleccionarse siempre antes de apagar la impresora, para evitar la pérdida de datos del disco duro.

► Menú Imprimir

Indique el número de copias, la bandeja de alimentación a utilizar, etc.

► Menú Media

Indique el tamaño y peso del medio de impresión que tiene en las bandejas, etc.

► Menú Color

Indique la densidad del color, registro, etc.

► Menú de configuración

Indicar el modo de ahorro de energía, tiempo de espera, etc.

► Emulación PCL

Este menú controla los ajustes que se aplican cuando la impresora está funcionando en modo de emulación PCL.

► Emulación PPR

Este menú controla los ajustes que se aplican cuando la impresora está funcionando en modo de emulación PPR.

► Emulación FX

Este menú controla los ajustes que se aplican cuando la impresora está funcionando en modo de emulación FX.

► Menú Paralelo

Este menú controla el funcionamiento de la interfaz de datos paralelos de la impresora.

► Menú USB

Indicar los parámetros de USB.

► Menú Red

Indicar los parámetros de la red.

► Menú de mantenimiento

Activar/desactivar el ahorro de energía e indicar otros parámetros de la impresora.

► Menú de uso

Conteo de páginas y porcentaje de la vida útil de los consumibles.

Impresión del MenuMap

El MenuMap contiene una lista de las configuraciones actuales del menú.

1. Presione + una o más veces, hasta que vea

MENU INFORMATIVO

2. Presione ENTER.

IMPRIMIR ESTRUCT. MENU
EJECUTAR

3. Presione ENTER.

MenuMap se imprime y la impresora se coloca en línea.

Configuración de los Medios de Impresión

Asegúrese de que la configuración del medio corresponde con el medio de impresión que está utilizando.

Los valores de impresión equivocados pueden:

- producir una calidad de impresión inferior
- producir escamas en los impresos
- *dañar la impresora*

Controladores de la impresora Versus Menú de impresora

Les paramètres du pilote d'imprimante ont préséance sur les paramètres du menu de l'imprimante.

Valores predeterminados

El ajuste predeterminado del peso de los medios de impresión es Medium (medio).

Cómo restaurar los valores predeterminados originales

1. Presione ENTER.
2. Presione + varias veces hasta que aparezca el mensaje MENÚ MANTENIMIENTO.
3. Presione ENTER.
4. Presione ENTER.

La impresora es reiniciada y vuelve a su estado en línea.

Cambio temporal de medios de impresión para tareas de impresión individuales

Si va a imprimir en un medio especial, puede cargar el medio temporalmente en una bandeja y cambiar la configuración del medio de esa bandeja *en el controlador* cuando lo imprima.

Valores para la configuración del peso de los medios de impresión

La configuración del peso del medio de impresión se puede hacer en el controlador de la impresora o en el menú de la impresora.

Ajustes del peso del medio

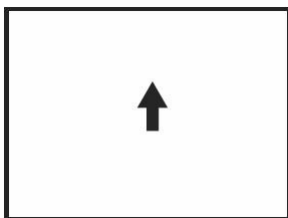
Ajuste	Peso del medio
Light (Ligero)	US Bond: 17 a 19 lb. Índice: 35 a 40 lb. Métrico: 64 a 71 g/m ²
Medium (Medio)	US Bond: 20 a 24 lb. Índice: 42 a 50 lb. Métrico: 75 a 90 g/m ²
Heavy (Pesado)	US Bond: 24 a 32 lb. Índice: 50 a 67 lb. Métrico: 90 a 121 g/m ²
Ultra Heavy (Muy pesado)	US Bond: 33 a 53 lb. Índice: 67 a 110 lb. Métrico: 121 a 200 g/m ²

Bandeja 1 y Bandeja 2 Opcional

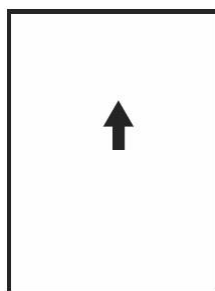
Especificaciones de medios de impresión

Tipo de peso del medio:	<i>Bandeja 1:</i> 17 a 32 lb. <i>US Bond</i> (64 a 120 g/m ²) <i>Bandeja 2 opcional:</i> 17 a 47 lb. <i>US Bond</i> (64 a 176 g/m ²)
Tamaños estándar:	Carta (LEF*), Carta (SEF**) [<i>bandeja 2 opcional</i>], Legal-14, Legal-13,5, Legal-13, Tabloide, Ejecutivo, A4 (LE*), A5 (SEF), A6 (SEF) [<i>solo bandeja 1</i>], B4, B5 (LEF)
Tamaños personalizados: Debe configurar los tamaños personalizados en el controlador antes de imprimir.	<i>Impresión por un lado:</i> <ul style="list-style-type: none">• Mín.: 3,94 x 5,83" (100 x 148 mm)• Máx.: 11 x 17" (279.4 x 431.8 mm) <i>Impresión por un ambos lado</i> (estándar en los Modelos C8800dn y C8800dtn, opcional en el Modelo C8800n): <ul style="list-style-type: none">• Mín.: 5,8 x 8,25" (148 x 210 mm)• Máx.: 11 x 17" (279.4 x 431.8 mm)
Capacidad:	<i>Bandeja 1:</i> 300 hojas de papel de 20 lb. (75 g/m ²) <i>Bandeja 2 opcional:</i> 530 hojas de papel de 20-lb. (75 g/m ²)

* LEF = Alimentación borde largo:

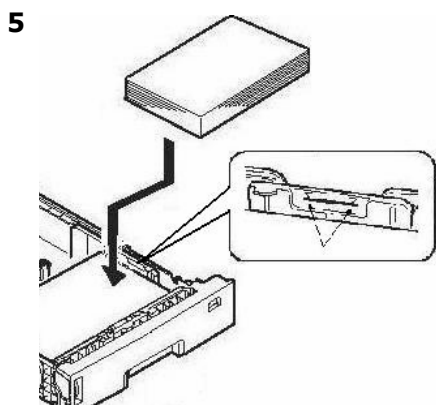
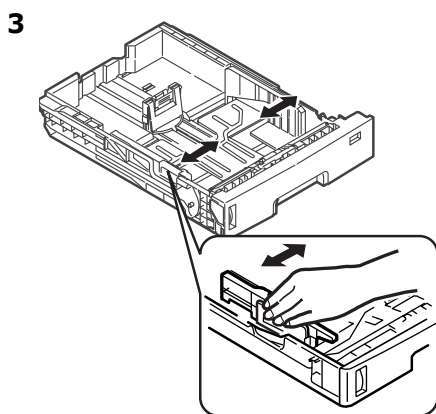
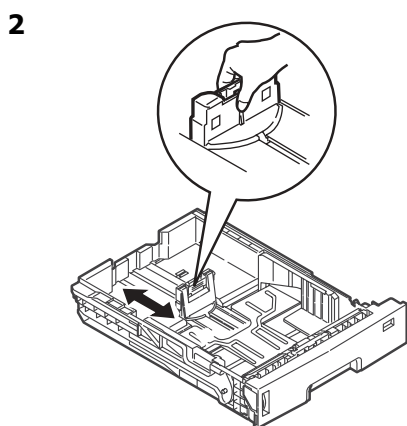
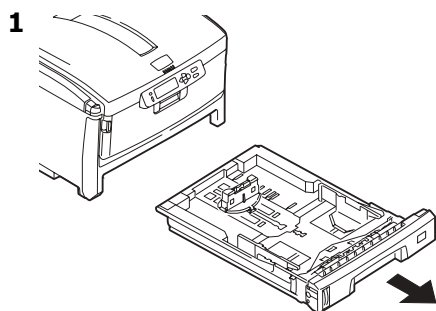


** SEF = Alimentación borde corto:

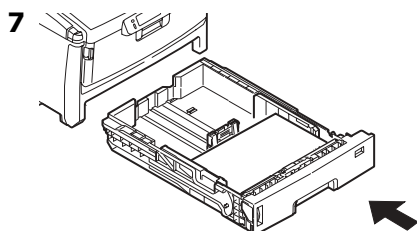
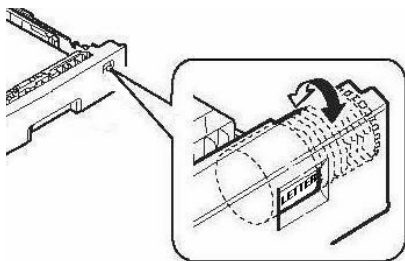


Bandeja 1 y Bandeja 2 Opcional (cont.)

Carga del papel

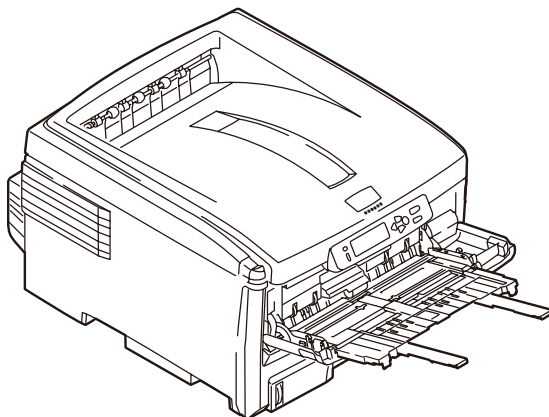


6 Importante! Ajuste el dial de tamaño de papel en el tamaño de papel que se utiliza.



Bandeja Multi-Usos

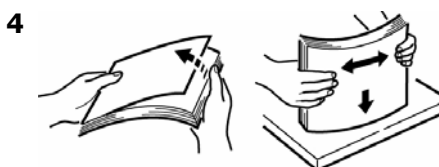
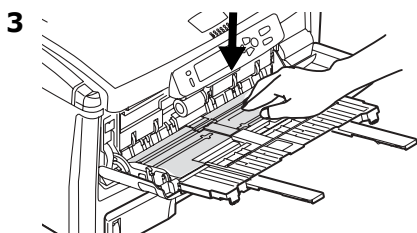
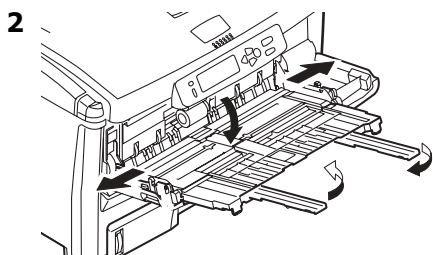
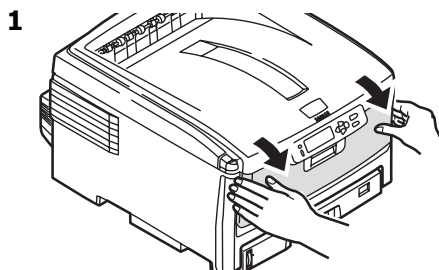
Especificaciones de medios de impresión



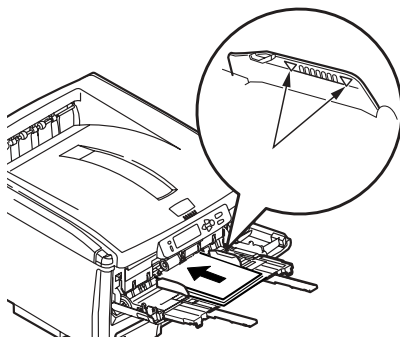
Peso:	20 a 53 lb. <i>US Bond</i> (42 a 110 lb. Index, 75 a 200 g/m ² métricos)
Tamaños estándar:	Carta LEF*, Carta SEF*, Legal-14, Legal-13,5, Legal-13, Tabloide, Ejecutivo, A4 SEF, A4 LEF, A5 SEF, A6, B4, B5 SEF, B5 LEF, y Sobres COM-10, DL, C5, C4 * SEF, LEF: ver página 50.
Tamaño: Los tamaños que no son estándar deben ser definidos con el controlador antes de imprimir: vea la Guía del Usuario en línea [CD de Publicaciones].	Min. 3,94" x 5,83" [100 a 148 mm] Max. 11" x 17" [279.4 x 431.8 mm] Predet. = carta <i>Pancartas:</i> 8,25 a 8,5" [210 a 216 mm] de ancho y hasta 47,25" [1,2m] de largo. Se debe alimentar una hoja a la vez.
Capacidad:	<ul style="list-style-type: none">• 100 hojas de papel de 20 lb. (75 g/m²)• 50 transparencias• 10 sobres• Etiquetas: alto de la pila de alimentación máx. = alrededor de 3/8 pulg. (1 cm).

Bandeja Multi-Usos (cont.)

Carga del papel



5



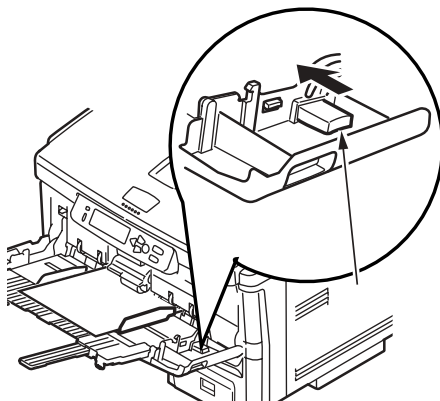
Papel membrete:

- Impresión por uno lado: cargar cara **arriba**, introduciendo *la parte superior* del papel en la impresora.
- *Impresión por ambos lados:* cargar cara **abajo** introduciendo *la parte inferior* del papel en la impresora.

Sobres

- Cargue el lado imprimible (solapa hacia abajo) con el borde superior hacia la izquierda y el lado angosto en dirección de la parte posterior de la impresora.

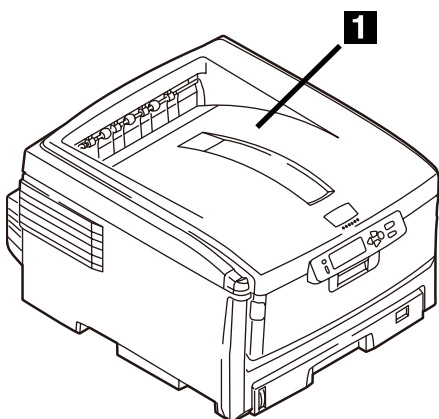
6



Bandejas de salida

Bandeja de salida superior (cara abajo)

Esta es la bandeja de salida que se utiliza normalmente.



- Acepta cartulina de hasta 47 lb. US Bond (176 g/m²).
- Capacidad de 250 hojas de papel de 20-lb (75 g/m²).
- Apila las páginas impresas cara abajo.

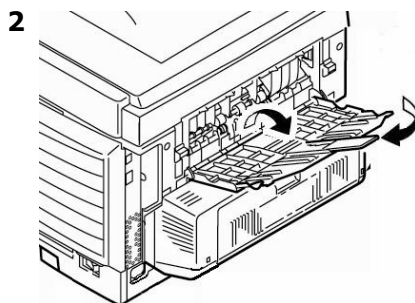
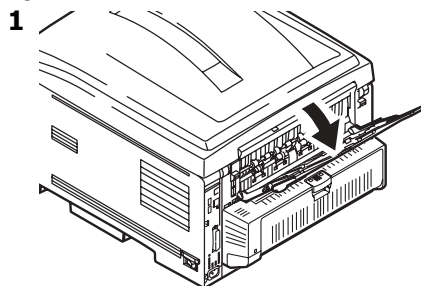
La bandeja de salida posterior (cara arriba)

- Tiene un trayecto de impresión recto. Se utiliza para transparencias, sobres, etiquetas y medios de impresión pesados.
- Acepta cartulina 17 a 54 lb. US Bond (64 to 203 g/m²).
- Capacidad de 100 hojas de papel de 20-lb (75 g/m²).
- El papel se imprime cara arriba (para documentos con muchas hojas, seleccione el orden de impresión inverso en el cuadro de diálogo de Imprimir de su aplicación).

Nota

Si la bandeja posterior está abierta, todas las páginas impresas saldrán por ahí aunque haya indicado otra salida en el controlador de la impresora.

Abrir la bandeja de salida posterior



Impresión Dúplex (Impresión por ambos lados del papel)

Borde largo versus borde corto

Borde largo



Borde corto



Especificaciones

Peso del papel

20 a 28 lb. US Bond (75 a 105 g/m²).

Nota

Si el papel de 20 o 24 lb. se dobla, utilice papel de 28 lb.

Alimentación de papel

Bandeja 1, Bandeja 2 opcional, o Bandeja MU.

Bandeja de salida

Bandeja de salida superior o posterior.

Tamaños de papel

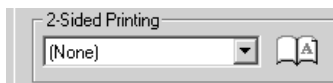
- **Estándar:** Carta, legal-14, legal-13,5, legal-13, Tabloide, Ejecutivo, A4, A5, B4, B5.
- **Personalizado:** solo Bandeja MU, mínimo 5.8 x 8¼ pulg. (148 x 210 mm), máximo 11.69 x 16.5 pulg. (297 x 420 mm)

Cómo imprimir un archivo utilizando la Unidad Duplex

Abra el archivo que desea imprimir y seleccione Archivo → Print. Seleccionar la impresora Serie C8800.

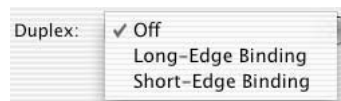
Windows

1. Para todos los sistemas excepto Windows 2000, haga clic en Properties [Propiedades] o Preferences [Preferencias].
2. En la ficha Setup (Configuración) bajo 2-Sided Printing (Impresión por ambos lados), seleccione Long Edge (Borde largo) o Short Edge (Borde corto).



Macintosh

1. Bajo Presets [Predeterminados], seleccione Duplex.
2. Bajo Duplex, seleccione Long Edge binding (Encuadernación por borde largo) o Short Edge binding (Encuadernación por borde corto).



Ahorro de energía

Esta característica determina el tiempo que le toma a la impresora pasar al modo en espera. Esto ahorra energía, pero la impresora necesita calentarse cuando recibe una tarea de impresión o cuando hay que hacer cambios al menú.

Cómo configurar el intervalo de ahorro de energía

1. Presione + varias veces hasta que aparezca el mensaje MENÚ DE CONFIGURACIÓN.
2. Presione ENTER.

TIEMPO MODO AHORRO	
60 MIN	*

3. Presione ENTER.
La segunda línea del panel centellea.
4. Presione + varias veces hasta que el valor deseado (5, 15, 39, 60 [pedet.], o 240 minutos) aparezca en la segunda línea de la pantalla.
5. Presione ENTER dos veces.
Se fija el ajuste y la segunda línea del panel deja de centellear.
6. Presione ON LINE.

Para deshabilitar (o habilitar) el ahorro de energía

La impresora viene con el modo de Ahorro de Energía activado. Para cambiar el ajuste a deshabilitar:

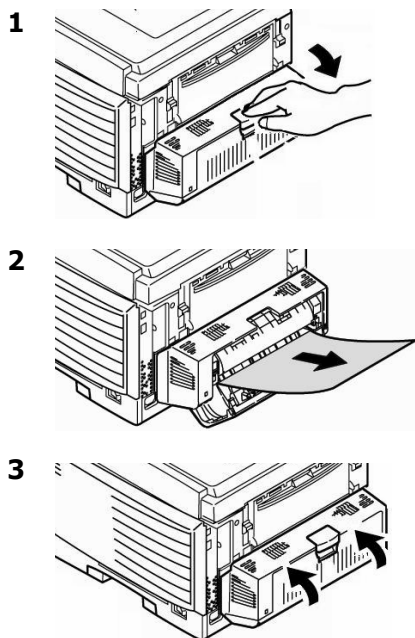
1. Presione ENTER para entrar en modo Menú.
2. Presione - varias veces hasta que aparezca el mensaje MENÚ DE MANTENIMIENTO.
3. Presione ENTER.
4. Presione + varias veces hasta que vea.

MODO AHORRO	
HABILITAR	*

5. Presione ENTER.
La segunda línea del panel centellea.
6. Presione + para alternar entre habilitar y deshabilitar.
7. Presione ENTER dos veces.
Se fija el ajuste y la segunda línea del panel deja de centellear.
8. Presione ON LINE.

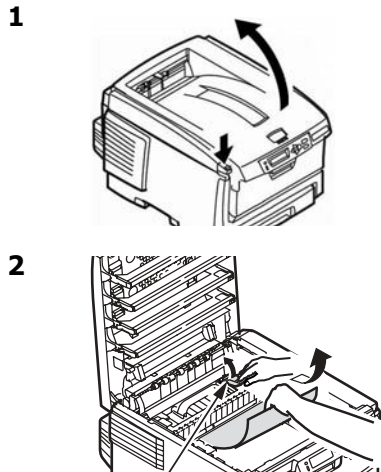
Solución de atascos Duplex (370, 373)

Atasco 370 o 373

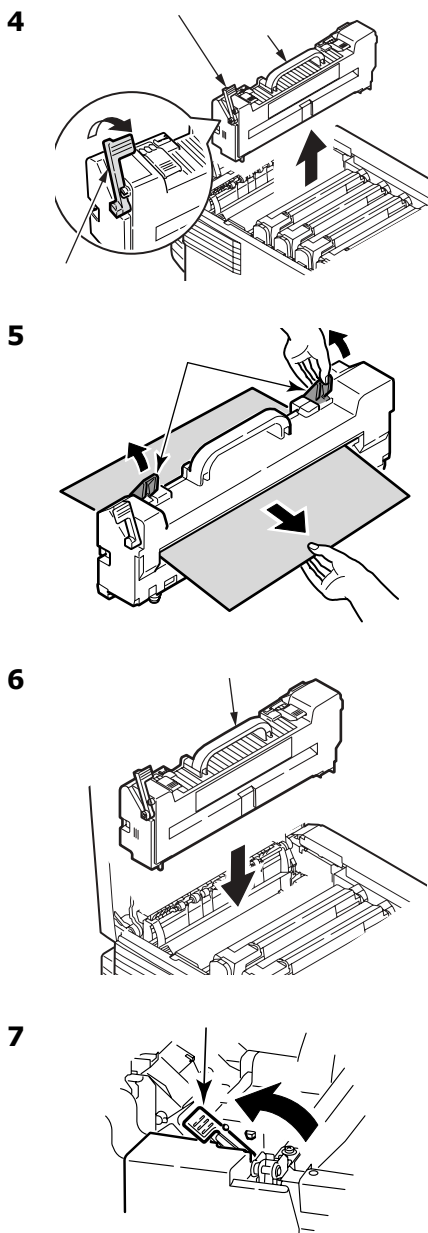


¡CUIDADO!
El fusor puede estar CALIENTE.

Para retirar la hoja atrapada en el fusor:

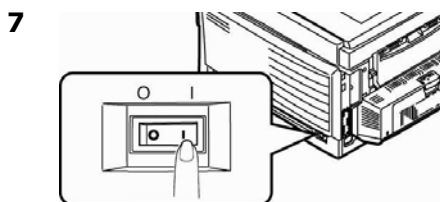
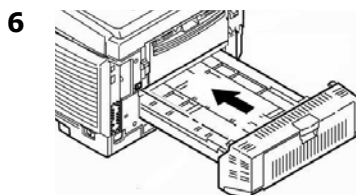
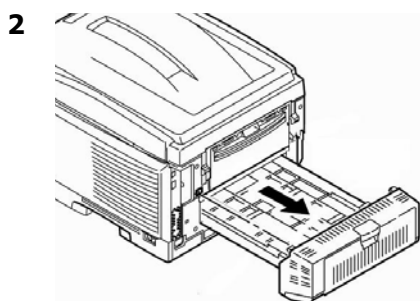
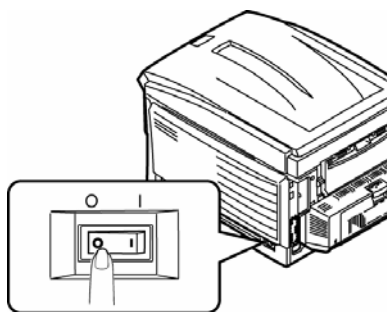


3 Si no puede sacar la hoja:



Solución de atascos Duplex (371)

Atasco 371 1 ¡Apagar!

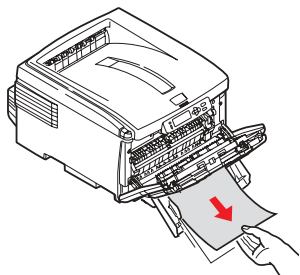
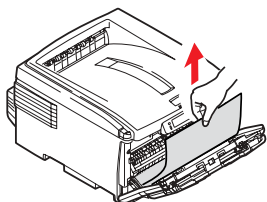
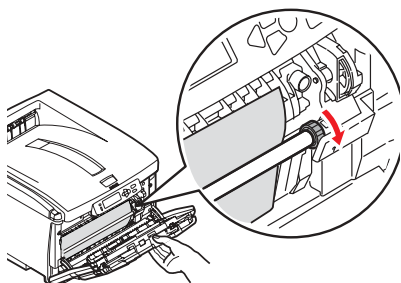


Solución de atascos

Alimentación de papel (372, 380, 390)

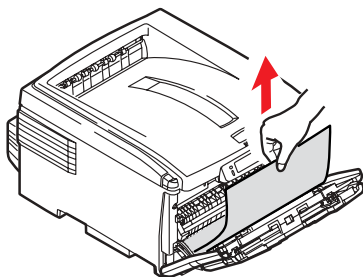
Atascos de la cubierta delantera 372, 380

1

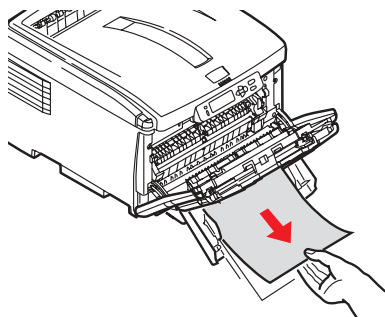


Atasco de la Bandeja MU 390

1



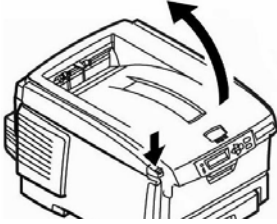
2



Solución de atascos Interno (381)

Atasco 381

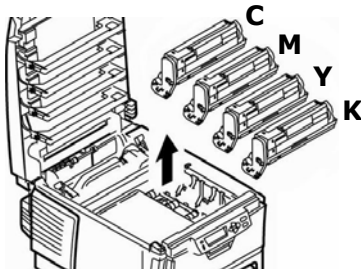
1



¡Precaución!

El fusor (ubicado detrás del tóner cian [C]) puede estar caliente.

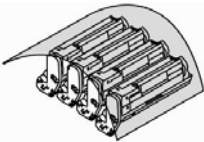
2



¡Precaución!

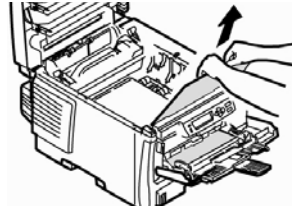
Para evitar daños a los cilindros:

- *Asegúrese de colocar los cilindros en una superficie plana.*
- *o exponga los cilindros a la luz durante más de 5 minutos.*



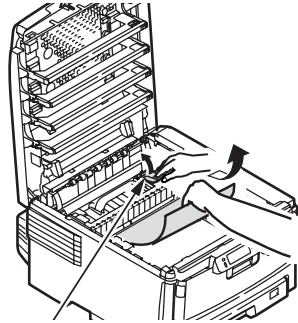
- *No toque el área verde brillante en la parte inferior de los cilindros.*

3

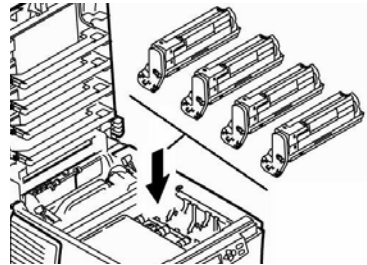


Nota

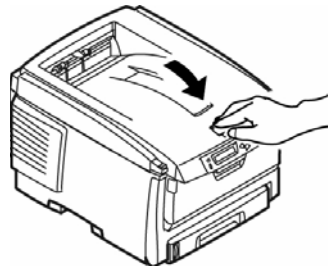
Para retirar la hoja atrapada en el fusor:



4



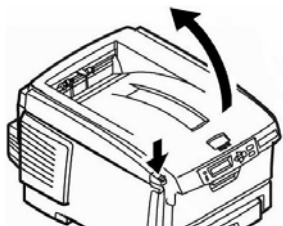
5



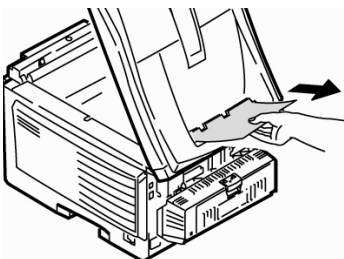
Solución de atascos Interno (382, 383)

Atascos 382, 383

1

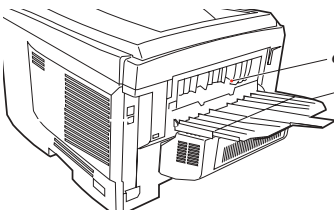


2

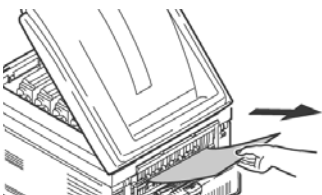


- Si la hoja no sale con facilidad, siga con el paso 3.

3



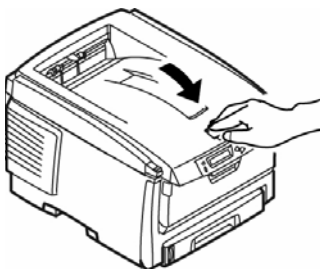
4



5

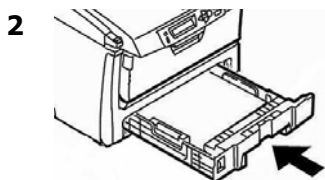
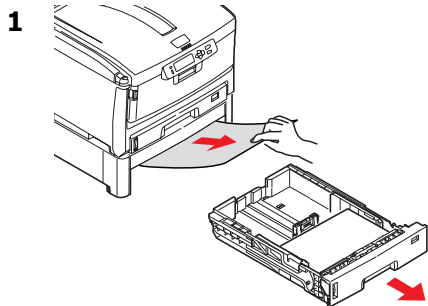


6

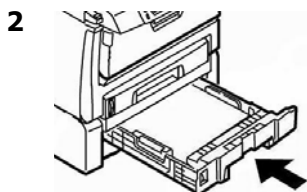
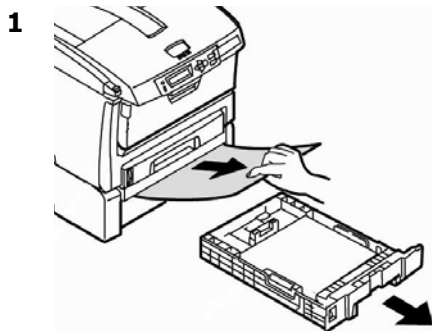


Solución de atascos Bandeja de papel (391, 392)

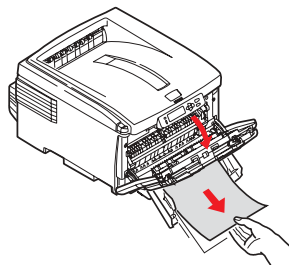
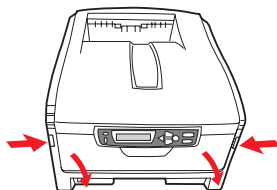
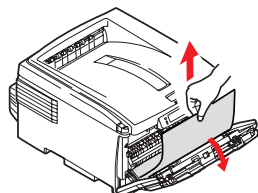
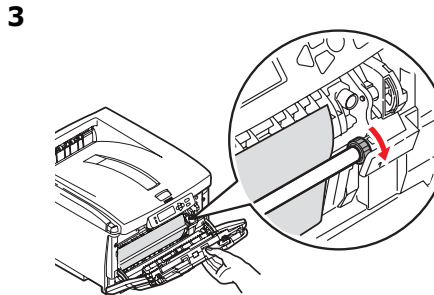
Atasco 391 (Bandeja 1)



Atasco 392 (Bandeja 2 opcional)



Ambas bandejas 391 o 392



Mensajes de errores comunes

Para mayor información sobre mensajes de error, refiérase a la Guía del Usuario en línea.

XXX TONER SENSOR ERROR

XXX ERROR SENSOR TÓNER

Abra la cubierta superior. Empuje la palanca de fijación hacia la parte posterior de la impresora, todo lo que sea posible. Cierre la tapa. Si el mensaje no desaparece, llame a su proveedor de servicio local.

ORDER XXX

PEDIDO XXX

Aparece en la segunda línea de la pantalla para indicar que el consumible xxx (p. ej., cinta de transporte, fusor, tóner, cilindro de imagen) está llegando al final de su vida útil.

Nota

Si cambió el valor del ítem TÓNER BAJO en MENÚ DE CONFIG. DEL SISTEMA a PARADO, la luz de ATTENTION centelleará y tendrá que cambiar el cartucho inmediatamente o presionar el botón ON LINE para continuar imprimiendo.

Asegúrese de contar con un cartucho de tóner Oki original(see page 46).

REPLACE TONER nnn: XXXX TONER EMPTY

CAMBIAR TONER nnn: XXXX TÓNER VACÍO

Reemplace el tóner con un cartucho de tóner Oki original (see page 46).

XXX LIFE

PEDIDO XXX

Aparece en la segunda línea de la pantalla para indicar que el ítem xxx (p. ej., cinta de transporte, fusor, tóner, cilindro de imagen) está llegando al final de su vida útil.

Reemplace el ítem indicado. (Refiérase a las instrucciones que vienen con el nuevo ítem.)

Mensajes de errores comunes (cont.)

**LOAD mmm/ppp AND PRESS
ONLINE SWITCH
nnn: ttt MEDIA MISMATCH**

**CARGUE PAPEL mmm/ppp Y
PULSE TECL.EN LINEA
nnn: ttt MEDIA ERRONEA**

CARGUE PAPEL mmm/ppp Y PULSE
TECL.EN LINEA

nnn: tttt MEDIA ERRONEAEI tipo de
medio indicado en la bandeja (ttt) no
coincide con el que el trabajo de
impresión que se está procesando.

Cargue el medio adecuado en la
bandeja y presione la tecla ON-LINE.

**LOAD mmm/ppp AND PRESS
ONLINE SWITCH
nnn: ttt SIZE MISMATCH**

**CARGUE PAPEL mmm/ppp Y
PULSE TECL.EN LINEA
nnn: ttt FORMATO NO COINCIDE**

El tamaño (mmm) y/o tipo (ppp) del
medio cargado en la bandeja (ttt) no
coincide con el que el trabajo de
impresión que se está procesando.

Cargue el medio adecuado en la
bandeja y presione la tecla ON-LINE.

**ADD MORE MEMORY
420: MEMORY OVERFLOW**

**INSTALE MEMORIA ADICIONAL
420: DESBORDE MEMORIA**

- Reduzca el tamaño del archivo que está imprimiendo (por ej., imprima el archivo como grupos de páginas separados en lugar de todas las páginas a la vez).
- Instale memoria adicional en la impresora (para mayor información, vea su Guía del Usuario en línea)

**LOAD mmm
nnn: ttt EMPTY**

**CARGUE mmm
nnn: ttt VACIA**

Cargue el medio mmm en la bandeja
ttt.

Mensajes de errores comunes (cont.)

CANCELING JOB (USER DENIED)

CANCELANDO TAREA (USUARIO NEGADO)

El software de Job Accounting detectó una tarea de impresión de un usuario que

- no tiene autorización para imprimir o
- intenta imprimir a color y solo tiene autorización para imprimir en blanco y negro.

El usuario debe comunicarse con el Administrador de Sistemas para solicitar la autorización necesaria.

CANCELING JOB (JAM)

CANCELANDO TAREA (ATASCO)

El ajuste de Recuperación Atasco del menú está colocado en apagado y un papel se atascó. Todos los datos que no fueron impresos se borran.

Solucione el atasco y vuelva a enviar a imprimir las páginas que faltan del trabajo.

nnn: PAPER JAM

nnn: ATASCO DE PAPEL

El papel se atasco.
Elimine el atasco. Ver la página 57, ff.

PRESS ONLINE SWITCH INVALID DATA

PULSE TECL.EN LINEA DATOS NO VALIDOS

La impresora recibió datos inválidos.
Presione ON-LINE. Vuelva a procesar los datos y a enviar el trabajo de impresión.

Servicio y Soporte

Primero ...

Consulte el almacén donde compró su impresora.

Otros Recursos Oki

- Visite nuestro sitio Web multilingüe: **WWW.OKIPRINTINGSOLUTIONS.COM**.
- Visite **MY.OKIDATA.COM** (Inglés solamente).
- Estados Unidos: llame al 1-856-222-7496.
- México: llame al (525) 263-8780.

Oki es una marca de fábrica registrada de Oki Electric Industry Company, Ltd.

AmEx es una marca de fábrica registrada de American Express Co.

MasterCard es una marca de fábrica registrada de MasterCard International, Inc.

VISA es una marca de fábrica registrada de Visa.

Windows es una marca de fábrica registrada o una marca de fábrica de Microsoft Corporation en los Estados Unidos y en otros países.

Pedidos de suprimentos de reposição

Como fazer pedidos

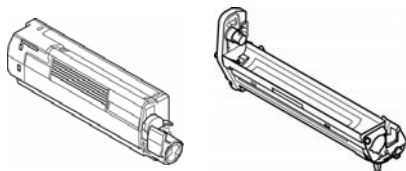
- Consulte o revendedor onde adquiriu a impressora.
- Consulte um representante autorizado de vendas ou assistência técnica da Oki Data. (Para se informar a respeito do revendedor mais próximo, ligue para [5511] 3444-3500.)
- Consulte os catálogos de suprimentos de escritório.

Números para pedidos

Toners / Cilindros OPC,

Importante!

Use apenas cartuchos de toner originais Oki.



Toner	Número do produto Oki
Preto	43487736
Ciano	43487735
Magenta	43487734
Amarelo	43487733

Cilindro OPC	Núm. do produto Oki
Preto	43449028
Ciano	43449027
Magenta	43449026
Amarelo	43449025

Fusors e esteira de transferência

Item	Número do produto Oki
Fusor, 120V	43529404
Fusor, 230V	43529409
Esteira de transferência	43449704

Instalação

Destes itens contêm instruções de instalação.

Uso do menu da impressora

Navegar

Nota

As definições do controlador da impressora substituem as definições do menu da impressora.

Navegar o menu da impressora

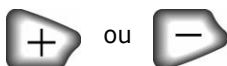
1. Pressione a tecla

ENTER



para entrar no modo menu

2. Pressione a tecla



repetidamente para voltar para as Categorias, Items e Valores.

3. Pressione a tecla

ENTER



para selecionar uma Categoria, Item ou Valor a ser alterado, ou para ativar a nova configuração para um Valor.

4. Pressione a tecla

ON LINE



para sair do modo Menu.

Por exemplo

Para configurar index cards como o material de impressão padrão na Bandeja M:

1. Pressione a tecla ENTER.
2. Pressione a tecla + repetidamente até ver a mensagem

MEDIA MENU

3. Pressione a tecla ENTER.
4. Pressione a tecla + repetidamente até que MPT PAPERSIZE apareça.
5. Pressione a tecla ENTER.
6. Pressione a tecla + repetidamente até que INDEX CARD apareça.
7. Pressione a tecla ENTER.
Um asterisco aparecerá ao lado da seleção. A configuração será ativada.
8. Pressione a tecla ON LINE.

Uso do menu da impressora

Resumo do menu

Resumo das categorias do menu

► Menu Informativo

Imprimir a estrutura dos menus, parâmetros de rede ou uma página de demonstração.

► Apagado [Desligar]

Este menu aparece apenas se a unidade de disco rígido estiver instalada. Este item deve ser sempre selecionado antes de desligar a impressora, para garantir que não haja perda de dados armazenados no disco rígido.

► Imprimir Menu

Configura o número de cópias, bandeja de alimentação utilizada, etc.

► Material de impressão

Configura o tamanho e a gramatura do material de impressão das várias bandejas, etc.

► Menu Cor

Configura a densidade das cores, o registro, etc.

► Menu Configuração do sistema

Configura o modo de economia de energia, o tempo limite, etc.

► Menu Emulação PCL

Controla as configurações em vigor quando a impressora está funcionando no modo de emulação PCL.

► Menu Emulação PPR

Controla as configurações em vigor quando a impressora está funcionando no modo de emulação PPR.

► Menu Emulação FX

Controla as configurações em vigor quando a impressora está funcionando no modo de emulação FX.

► Menu Paralela

Este menu controla a operação da interface de dados paralela da impressora.

► Menu USB

Configura os parâmetros USB.

► Menu Rede

Configura os parâmetros de rede.

► Menu Manutenção

Ativa/desativa o modo de economia de energia e configura outros parâmetros da impressora.

► Menu Utilização

Contagens de páginas e porcentagem da vida útil restante dos suprimentos.

Impressão da estrutura dos menus (MenuMap)

A estrutura dos menus (MenuMap) é uma lista das configurações atuais dos menus.

1. Pressione a tecla + uma ou mais vezes até ver a mensagem

INFORMATION MENU†

† Informação

2. Pressione a tecla ENTER.

PRINT MENU MAP
EXECUTE

† Imprimir estrutura do menu
Executar

3. Pressione a tecla ENTER.

A estrutura dos menus será impressa e a impressora voltará a ficar em linha.

Config. dos materiais de impressão

A configuração do material de impressão deve sempre coincidir com o material sendo utilizado.

Configurações incorretas do material de impressão:

- resultam em impressões de baixa qualidade
- causam desprendimento das partículas de toner
- *podem danificar a impressora*

Driver da impressora x Menu da impressora

As configurações do driver da impressora substituem as configurações do menu da impressora.

Configurações padrão

A configuração padrão da gramatura do material de impressão para todas as bandejas é Medium [Médio].

Restabelecimento das configurações padrão originais

1. Pressione a tecla ENTER.
2. Pressione a tecla – repetidamente até que MAINTENANCE MENU [Menu Manutenção] apareça no painel.
3. Pressione a tecla ENTER.
‡ Restabelecer menus
4. Pressione a tecla ENTER.
A impressora será reinicializada e voltará a ficar em linha.

Configurações do material de impressão para trabalhos individuais de impressão

Se for necessário imprimir um trabalho em um material de impressão especial, é possível colocar temporariamente o material em uma bandeja e alterar as configurações do material de impressão para a tal bandeja no driver à medida que o trabalho é impresso.

Faixas de configuração da gramatura do material de impressão

As configurações da gramatura do material de impressão podem ser feitas no driver da impressora ou no menu da impressora.

Config. da gramatura do material de impressão

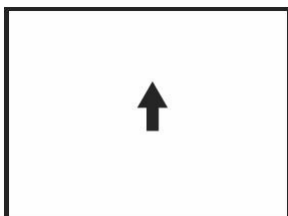
Configuração	Gramatura do material de impressão
Light (Leve)	US Bond: 17 a 19 lb. Index: 35 a 40 lb. Métrico: 64 a 71 g/m ²
Medium (Médio)	US Bond: 20 a 24 lb. Index: 42 a 50 lb. Métrico: 75 a 90 g/m ²
Heavy (Pesado)	US Bond: 24 a 32 lb. Index: 50 a 67 lb. Métrico: 90 a 121 g/m ²
Ultra Heavy (Ultra pesado)	US Bond: 32 a 53 lb. Index: 67 a 110 lb. Métrico: 121 a 200 g/m ²

Bandeja 1 e Bandeja 2 Opcional

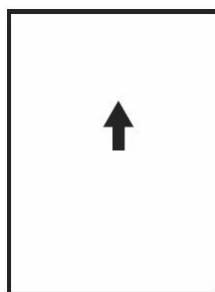
Especificações da mídia de impressão

Gramatura:	<i>Bandeja 1:</i> 17 a 32 lb. <i>US Bond</i> (64 a 120 g/m ²) <i>Bandeja 2 opcional:</i> 17 a 47 lb. <i>US Bond</i> (64 a 176 g/m ²)
Tamanhos padrão:	Carta (LEF*), Carta (SEF** [<i>apenas bandeja 2 opcional</i>]), Ofício-14, Ofício-13,5, Ofício-13, Tabloid, Executivo, A4 (LEF), A5 (SEF), A6 (SEF) [<i>apenas bandeja 1</i>], B4, B5 (LEF).
Tamanhos personalizados: Os tamanhos personalizados devem ser definidos no driver antes da impressão	<i>Impressão Simplex</i> (um lado): <ul style="list-style-type: none">• Mín.: 3,94 x 5,83" (100 x 148 mm)• Máx.: 11 x 17" (279.4 x 431.8 mm) <i>Impressão Duplex</i> ((<i>impressão nos dois lados do papel: padrão nos modelos C8800dn e C8800dtn, opcional no modelo C8800n</i>)): <ul style="list-style-type: none">• Mín.: 5,8 x 8,25" (148 x 210 mm)• Máx.: 11 x 17" (279.4 x 431.8 mm)
Capacidade:	<i>Bandeja 1:</i> 300 folhas de papel de 20-lb. (75 g/m ²) <i>Bandeja 2 opcional:</i> 530 folhas de papel de 20-lb. (75 g/m ²)

* LEF = Alimentação pela borda longa:

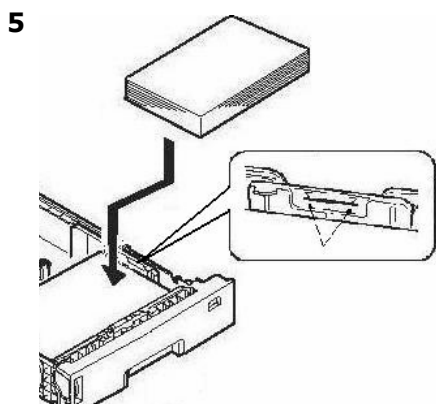
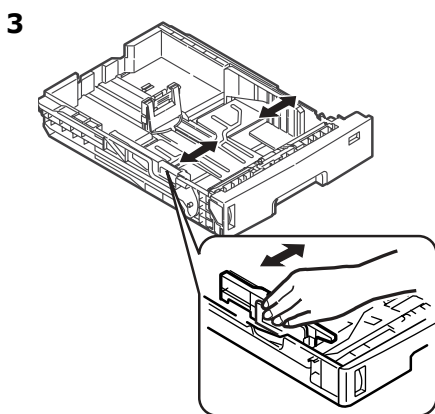
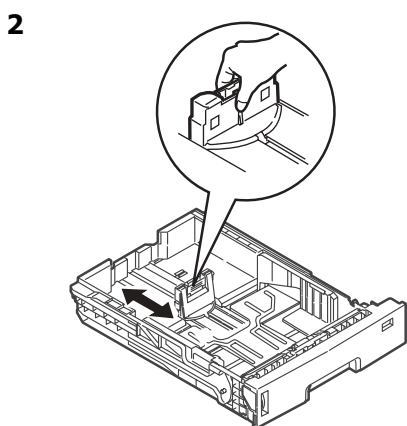
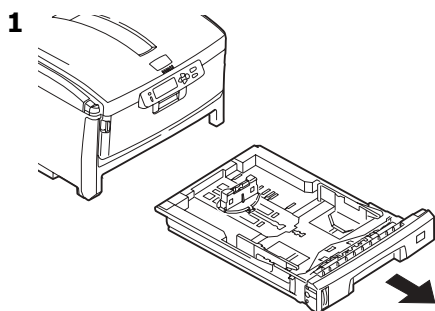


** SEF = Alimentação pela borda curta:

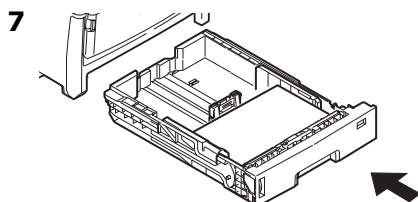
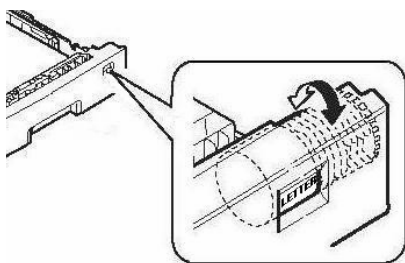


Bandeja 1 e Bandeja 2 Opcional (cont.)

Colocação do papel

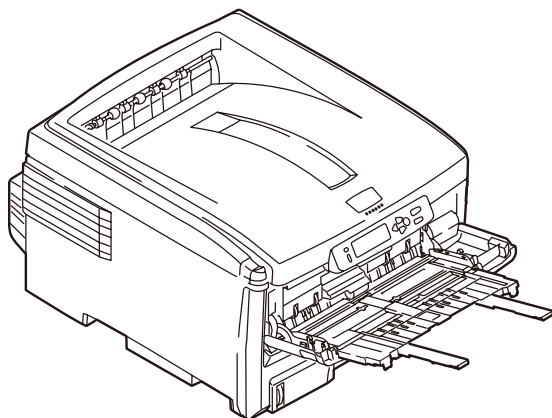


6 Importante! Ajuste o seletor de tamanho do papel de acordo com o tamanho de papel sendo utilizado.



Bandeja multifuncional

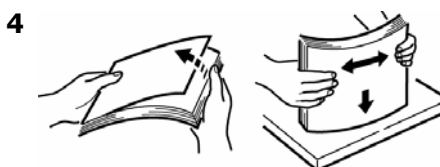
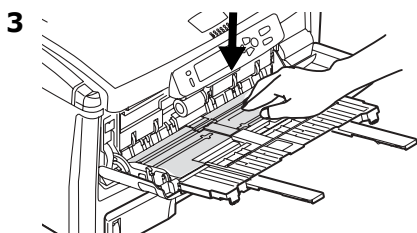
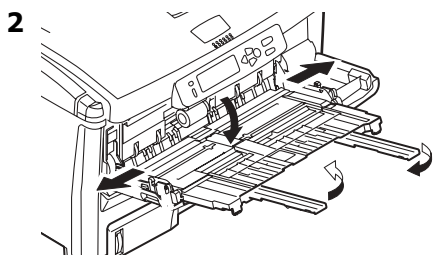
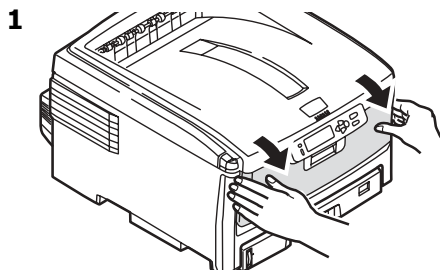
Especificações da mídia de impressão



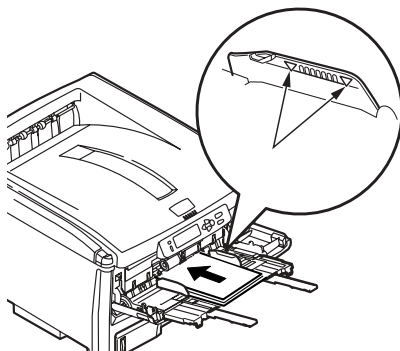
Faixa de gramatura:	20 a 53 lb. US Bond (42 a 110 lb. Index, 75 a 200 g/m ² métrico)
Tamanhos padrão:	Carta LEF*, Carta SEF*, Ofício-14, Ofício-13,5, Ofício-13, Tabloid, Executivo, A4 SEF, A4 LEF, A5 SEF, A6, B4, B5 SEF, B5 LEF, e envelopes COM-10, DL, C5, C4. * SEF, LEF: consulte página 71.
Faixa de tamanho: Os tamanhos fora do padrão devem ser definidos no driver antes da impressão: consulte o Manual Eletrônico do Usuário.	Mín. 3,94" x 5,83" (105 a 148 mm) Máx. 8,5" x 14" (216 x 356 mm) Padrão = Carta. <i>Faixas:</i> 8,25 a 8,5" [210 a 216 mm] de largura por até 47,25" [1,2 m] de comprimento. O papel para a impressão de faixas deve ser alimentado uma folha de cada vez.
Capacidade:	<ul style="list-style-type: none">• 100 folhas de papel de 20-lb. (75 g/m²)• 50 transparências• 10 envelopes• Etiquetas: altura máxima da pilha para alimentação = cerca de 1 cm.

Bandeja multifuncional (cont.)

Colocação do papel



5



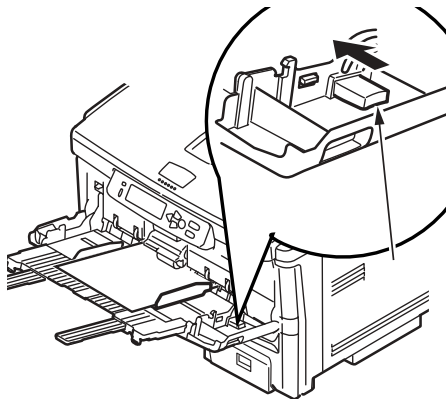
Papel timbrado

- Impressão em um lado: colocar com a face *para cima* e a borda superior *inserida* na impressora.
- Impressão frente e verso: colocar com a face *para baixo* e a borda superior voltada *para fora* da impressora.

Envelopes

- Coloque o lado destinado à impressão para cima (orelha para baixo), com a borda superior à esquerda e a borda curta inserida na impressora.

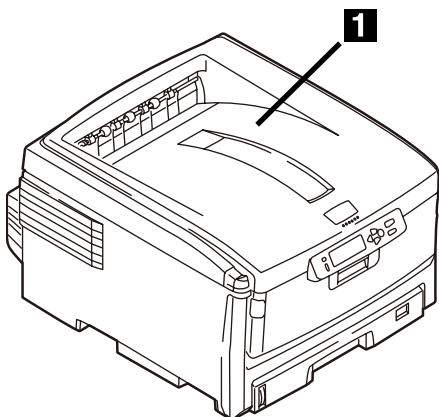
6



Escaninhos de saída

Escaninho de saída superior (face para baixo)

Este é o escaninho normalmente usado.



- Para papéis de até 47 lb. US Bond (176 g/m²).
- Capacidade para até 250 folhas de papel de 20-lb. (75 g/m²).
- As páginas são empilhadas com a face impressa para baixo.

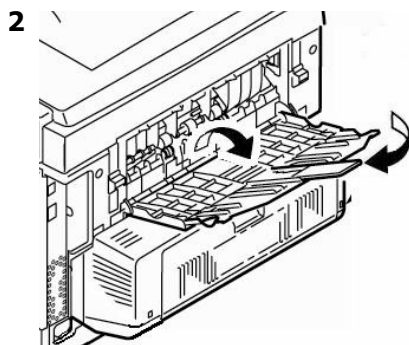
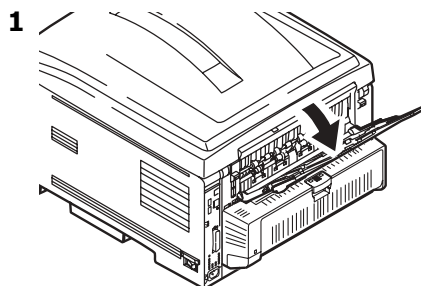
Escaninho de saída traseiro (face para cima)

- O percurso reto de saída do papel. Utilizar para transparências, envelopes, etiquetas e papel de alta gramatura.
- Capacidade para papéis de 17 a 54 lb. US Bond (64 a 203 g/m²).
- Capacidade para até 100 folhas de papel de 20-lb. (75 g/m²).
- O papel é impresso com a face para cima (para documentos com várias páginas, selecione a impressão em ordem reversa na caixa de diálogo Imprimir do aplicativo para que as cópias sejam empilhadas na ordem correta).

Nota

Se o escaninho traseiro estiver aberto, todas as páginas impressas sairão por ele, independentemente da configuração no driver da impressora.

Para abrir o escaninho de saída traseiro



Impressão duplex (impressão nos dois lados do papel)

Borda longa x Borda curta

Borda longa



Borda curta



Especificações

Gramatura do papel

20 a 28 lb. US Bond (75 a 105 g/m²).

Nota

Se o papel enrolar durante a impressão de um arquivo no modo duplex, troque-o para apergaminhado de 28-lb. (105 g/m²).

Alimentação do papel

Bandeja 1, Bandeja 2 opcional ou Bandeja MF

Saída do papel

Escaninho de saída superior ou Escaninho de saída traseiro.

Tamanhos do papel

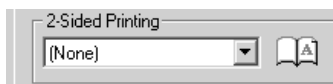
- **Padrão:** Carta, ofício-14, ofício-13,5, ofício-13, Tabloide, Executivo, A4, A5, B4, B5.
- **Personalizado:** *Apenas Bandeja MF*, mínimo 5.8 x 8¼ polegadas (148 x 210 mm), máximo 11.69 x 16.5 pol. (297 x 420 mm)

Como imprimir um arquivo usando a unidade duplex

Abra o arquivo que deseja imprimir e selecione Arquivo → Imprimir. Selecione a impressora Série C8800.

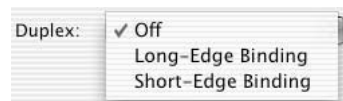
Windows

1. Para todos os sistemas operacionais, salvo o Windows 2000, clique em Properties [Propriedades] ou Preferences [Preferências].
2. Na guia Setup [Configurar], em 2-Sided Printing [Impressão frente e verso], selecione Long Edge [Borda longa] ou Short Edge [Borda curta].



Macintosh

1. Em Presets [Configurações predefinidas], selecione Duplex.
2. Em Duplex, selecione Long-Edge Binding [Encadernação pela borda longa] ou Short-Edge Binding [Encadernação pela borda curta].



Economia de energia

O recurso de economia de energia determina quanto tempo a impressora aguardará antes de entrar no modo de espera. Isto economiza energia, mas a impressora precisará de tempo para aquecer quando receber um trabalho de impressão ou se o usuário desejar acessar o menu e alterar as configurações.

Configuração do intervalo de economia de energia

1. Pressione a tecla + repetidamente até que SYS CONFIG MENU (Menu Configuração) apareça no painel.
2. Pressione a tecla ENTER.

POW SAVE TIME‡	
60 MIN [MINUTOS]	*

‡ Tempo de economia de energia

3. Pressione a tecla ENTER.
A segunda linha do painel começará a piscar.
4. Pressione a tecla + repetidamente até que o novo valor (5, 15, 30, 60 [padrã]) ou 240 minutos) que deseja usar apareça.
5. Pressione a tecla ENTER duas vezes.
A nova configuração será ativada e a segunda linha do painel parará de piscar.
6. Pressione a tecla ON LINE.

Para ativar/desativar o recurso de economia de energia

A impressora está pré-configurada com o modo de economia de energia ativado. Para ativar (ou desativar) o recurso de economia de energia

1. Pressione a tecla ENTER para entrar no modo Menu.
2. Pressione a tecla - repetidamente até que MAINTENANCE MENU (Menu Manutenção) apareça no painel.
3. Pressione a tecla ENTER.
4. Pressione a tecla + repetidamente até ver a mensagem

POWER SAVE‡	
ENABLE [ACTIVADO]	*

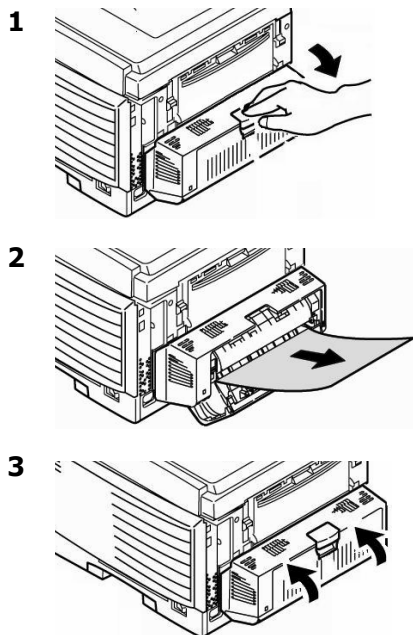
‡ Economia de energia

5. Pressione a tecla ENTER.
A segunda linha do painel começará a piscar.
6. Pressionar a tecla + comuta entre a opção Habilitar e Desabilitar.
7. Pressione a tecla ENTER duas vezes.
A nova configuração será ativada e a segunda linha do painel parará de piscar.
8. Pressione a tecla ON LINE.

Eliminação de atolamentos de papel

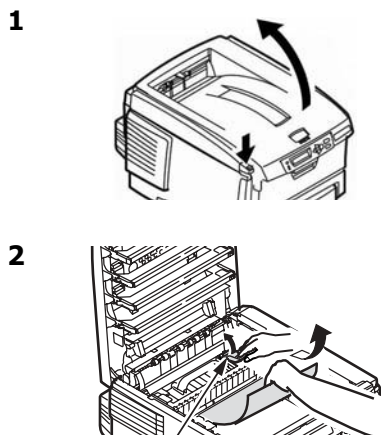
Atolamentos 370, 373

Atolamento 370 ou 373

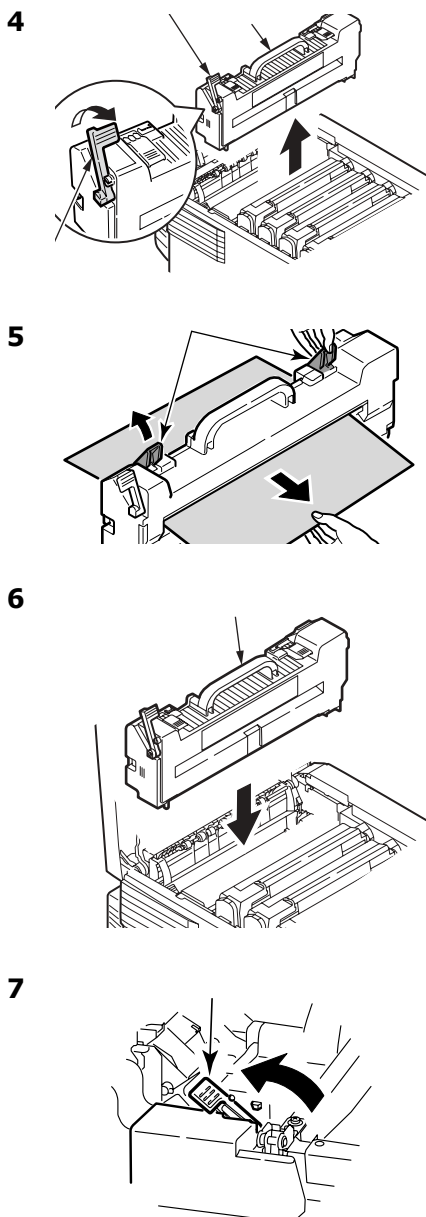


ATENÇÃO! A unidade fusora pode estar QUENTE!

Se uma folha estiver presa na unidade fusora:



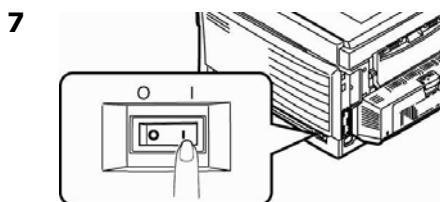
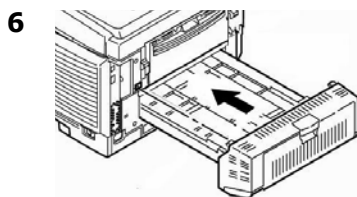
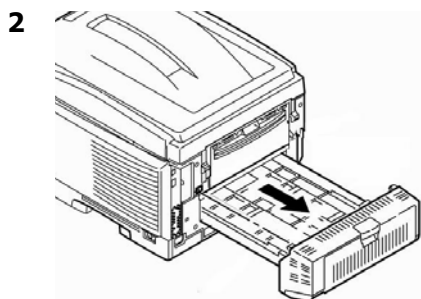
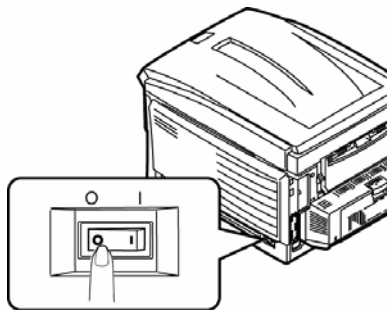
3 Se a folha não sair:



Eliminação de atolamentos de papel Duplex (371)

Atolamento 371

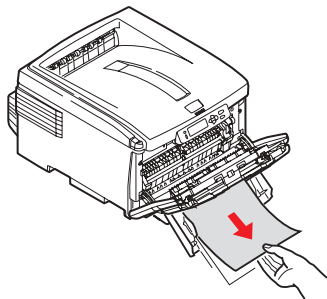
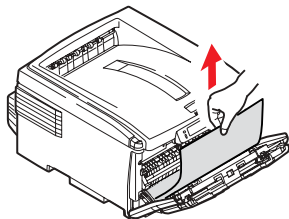
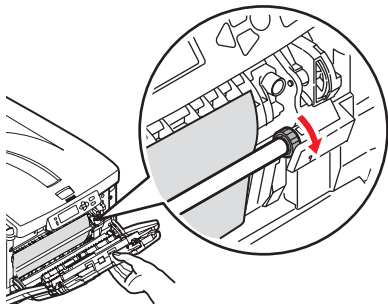
1 Desligue a impressora!



Eliminação de atolamentos de papel Alimentação de Papel (372, 380, 390)

Atolamentos da tampa frontal 372, 380

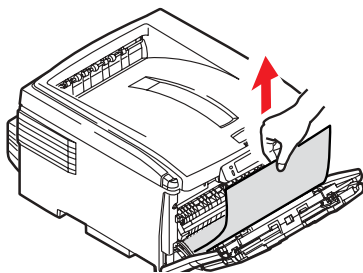
1



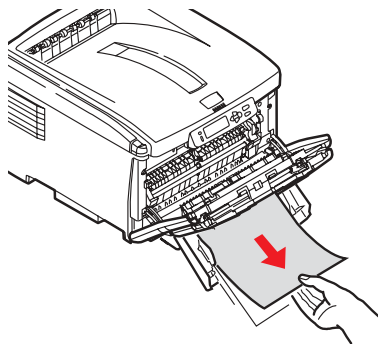
Atolamento da bandeja MF 390

Se não for possível puxar facilmente a folha para fora pela frente:

1



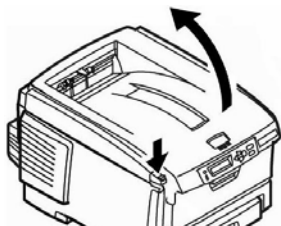
2



Eliminação de atolamentos de papel Interna (381)

Atolamento 381

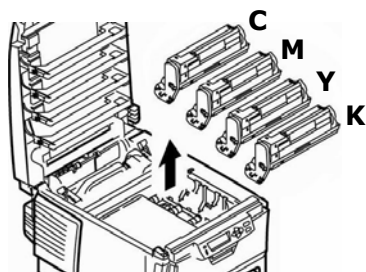
1



Atenção!

A unidade fusora (atrás do toner ciano [C]) pode estar QUENTE.

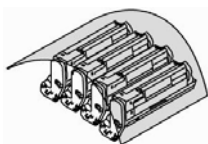
2



Atenção!

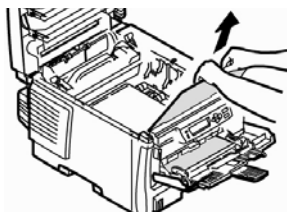
Para evitar danificar os cilindros:

- Coloque os cilindros em uma superfície plana.
- Não exponha os cilindros à luz por mais de cinco minutos.



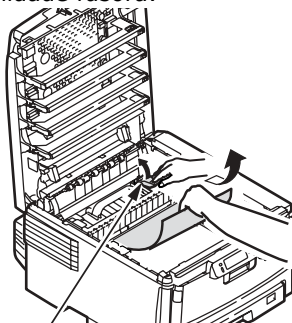
- Não toque na área verde brilhante na parte inferior dos cilindros.

3

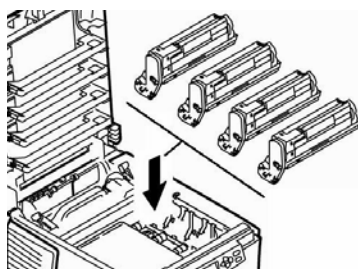


Nota

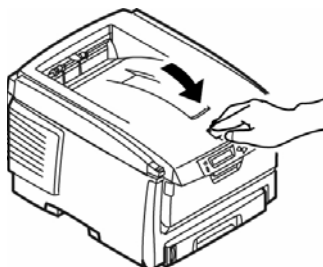
Para retirar uma folha presa na unidade fusora:



4



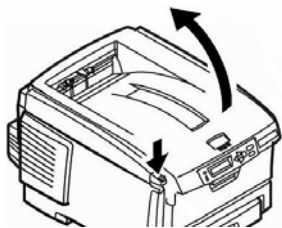
5



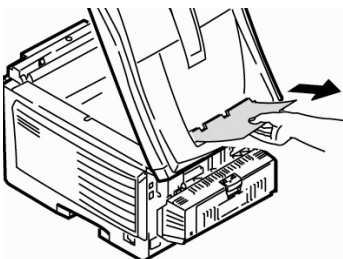
Eliminação de atolamentos de papel Interna (382, 383)

Atolamentos 382 e 383

1

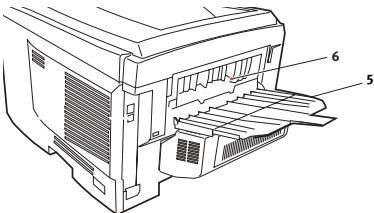


2

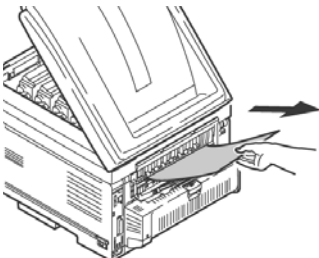


- Se a folha não sair facilmente, vá para a etapa 3.

3



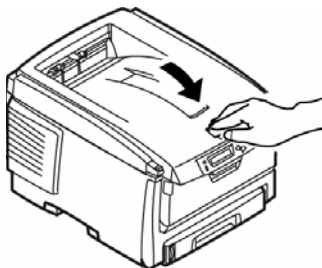
4



5



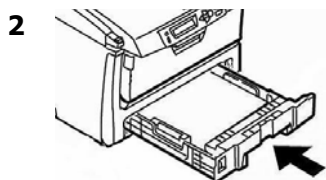
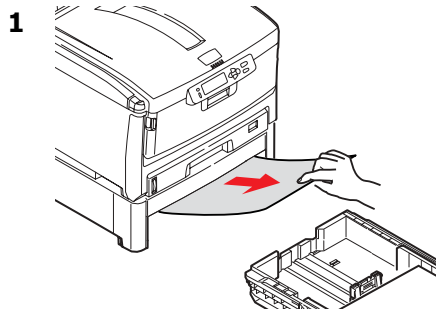
6



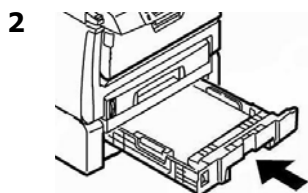
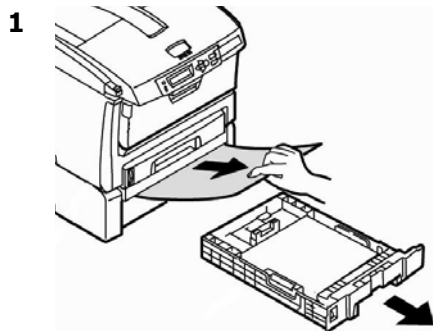
Eliminação de atolamentos de papel

Bandeja para papel (391, 392)

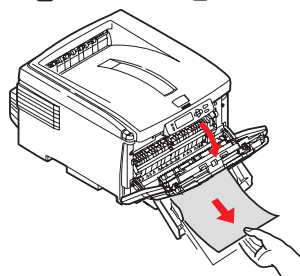
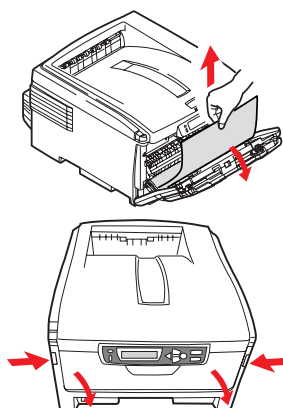
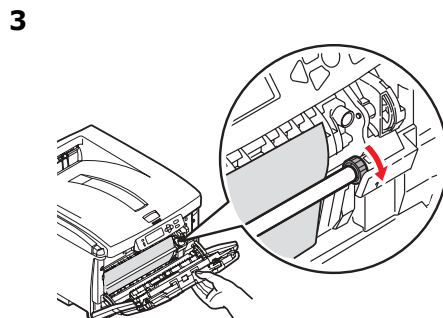
Atolamento 391 (Bandeja 1)



Atolamento 392 (Bandeja 2 opcional)



As duas bandejas 391 ou 392



Mensagens de erro comuns

Consulte o Manual Eletrônico do Usuário para informar-se sobre outras mensagens de erro.

XXX TONER SENSOR ERROR

ERRO NO SENSOR DO TONER XXX

Abra a tampa superior. Empurre a alavanca de travamento rumo (toner **XXX**) à parte posterior da impressora o máximo que puder. Feche a tampa. Se isto não fizer a mensagem desaparecer, ligue para a assistência técnica autorizada local.

ORDER XXX

PEDIR XXX

Aparece na segunda linha do painel para indicar que o suprimento xxx (ex.: toner, cilindro OPC) está chegando ao fim.

Nota

Se o item LOW TONER [Pouco toner] no SYSTEM CONFIG MENU [Menu de configuração do sistema] foi alterado para STOP [Parar], a luz ATTENTION [Atenção] piscará e o usuário precisará trocar imediatamente o cartucho de toner ou pressionar a tecla ON LINE para continuar a imprimir.

Certifique-se de ter em mãos um cartucho de toner de reposição original OKI (consulte na página 67).

REPLACE TONER# nnn: XXXX TONER EMPTY

INSTALE NOVO TONER nnn: TONER XXXX VAZIO

Certifique-se de ter em mãos um cartucho de toner **XXXX** de reposição original OKI (consulte na página 67).

XXXX LIFE

VIDA ÚTIL XXX

Aparece na segunda linha do painel para indicar que o suprimento xxx (ex.: cilindro OPC) precisará ser trocado em breve.

Troque o item. (Consulte as instruções fornecidas com o novo item.)

Mensagens de erro comuns (cont.)

**LOAD mmm/ppp AND PRESS
ONLINE SWITCH
nnn: ttt MEDIA MISMATCH**

**COLOCAR mmm/ppp E
PRESSIONAR A TECLA ONLINE
nnn: CONFLITO DE TIPO DE
MATERIAL DE IMPRESSÃO NA
tttt**

O tipo de material de impressão na bandeja indicada (tttt) não coincide com o especificado no trabalho de impressão sendo processado.

Coloque o material de impressão apropriado na bandeja e pressione a tecla ON-LINE.

**LOAD mmm/ppp AND PRESS
ONLINE SWITCH
nnn: ttt SIZEMISMATCH**

**COLOCAR mmm/ppp E
PRESSIONAR A TECLA ONLINE
nnn: CONFLITO DE TAMANHO
DE MATERIAL DE IMPRESSÃO
NA tttt**

O tamanho do material de impressão (mmm) e/ou o tipo (ppp) colocado na bandeja indicada (tttt) não coincide com o especificado no trabalho de impressão sendo processado.

Coloque o material de impressão apropriado na bandeja e pressione a tecla ON-LINE.

**ADD MORE MEMORY
420: MEMORY OVERFLOW**

**ADICIONAR MAIS MEMÓRIA
420: ESTOURO DA MEMÓRIA**

- Reduza o tamanho do arquivo sendo impresso (ex.: imprima o arquivo como grupos separados de páginas, ao invés de todas as páginas ao mesmo tempo).
- Instale mais memória na impressora (consulte o Manual Eletrônico do Usuário para obter mais informações).

**LOAD mmm
nnn: ttt EMPTY**

**COLOCAR mmm
nnn: ttt VAZIA**

Coloque mais material de impressão na bandeja.

Mensagens de erro comuns (cont.)

CANCELING JOB (USER DENIED)

CANCELANDO O TRABALHO (USUÁRIO NEGADO)

O software de contabilidade dos trabalhos detectou um trabalho de impressão de um usuário que

- não está autorizado a imprimir ou
- está tentando imprimir um trabalho colorido, sendo que está autorizado a imprimir apenas trabalhos preto e branco.

O usuário deve entrar em contato com o administrador do sistema para verificar se a autorização pode ser mudada.

CANCELING JOB (JAM)

CANCELANDO O TRABALHO (ATOLAMENTO)

A configuração para recuperação após atolamento no menu foi alterada para desativada e ocorreu um atolamento de papel. Todos os dados não impressos estão sendo apagados.

Elimine o atolamento e envie novamente à impressora as páginas que faltam do trabalho de impressão.

nnn: PAPER JAM

nnn: ATOLAMENTO DE PAPEL

O papel atolou.

Elimine o atolamento: consulte a página 78, ff.

PRESS ONLINE SWITCH INVALID DATA

PRESSONAR A TECLA ONLINE DADOS INVÁLIDOS

A impressora recebeu dados inválidos.

Pressione a tecla ON-LINE. Reprocesse e reenvie o trabalho de impressão.

Assistência técnica e suporte

Primeiro ...

Consulte a loja onde adquiriu a impressora.

Outros recursos da Oki

- Visite nosso site multilíngüe na Web: **WWW.OKIPRINTINGSOLUTIONS.COM**.
- Visite **MY.OKIDATA.COM** (somente em inglês).
- Ligue para 55-11-3444-6747.
- e-mail: okidata@okidata.com.br.

OKI é uma marca registrada da Oki Electric Industry Company, Ltd.

Windows é uma marca registrada ou marca comercial da Microsoft Corporation nos Estados Unidos e em outros países.