

**C830**

**Handy Reference**  
**Guide de référence pratique**  
**Referencia Rápida**  
**Guia de referência rápida**

---

# Contents

---

<b>Ordering Replacement Supplies</b> . . . . .	<b>4</b>
<b>Using the Printer Menu</b> . . . . .	<b>5</b>
Navigating . . . . .	5
Menu Summary . . . . .	6
<b>Print Media Settings</b> . . . . .	<b>8</b>
<b>Tray 1 and Optional Trays 2 and 3</b> . . . . .	<b>9</b>
Usable Print Media . . . . .	9
Loading Paper . . . . .	10
<b>Multi-Purpose Tray</b> . . . . .	<b>11</b>
Usable Print Media . . . . .	11
Loading Print Media . . . . .	12
<b>Exit Trays</b> . . . . .	<b>13</b>
<b>Duplex Printing</b> . . . . .	<b>14</b>
<b>Power Save Mode</b> . . . . .	<b>15</b>
<b>Clearing Media Jams</b> . . . . .	<b>16</b>
<b>The HELP Button</b> . . . . .	<b>24</b>
<b>Error Messages</b> . . . . .	<b>25</b>
<b>Maintenance</b> . . . . .	<b>33</b>
<b>Service &amp; Support</b> . . . . .	<b>38</b>

---

# Table des matières

---

<b>Commande de fournitures</b> . . . . .	<b>39</b>
<b>Utilisation des menus de l'imprimante</b> . . . . .	<b>40</b>
Déplacement . . . . .	40
Sommaire des menus . . . . .	41
<b>Paramètres de support d'impression</b> . . . . .	<b>43</b>
<b>Bac 1 et bacs 2 et 3 optionnels</b> . . . . .	<b>44</b>
Supports pris en charge . . . . .	44
Chargement des supports d'impression . . . . .	45
<b>Bac multifonction</b> . . . . .	<b>46</b>
Supports pris en charge . . . . .	46
Chargement des supports . . . . .	47
<b>Sortie des tirages</b> . . . . .	<b>48</b>
<b>Impression recto verso</b> . . . . .	<b>49</b>
<b>Mode Économie d'énergie</b> . . . . .	<b>50</b>
<b>Suppression des bourrages</b> . . . . .	<b>51</b>
<b>Bouton Help [Aide]</b> . . . . .	<b>59</b>
<b>Messages d'erreur</b> . . . . .	<b>60</b>
<b>Entretien</b> . . . . .	<b>68</b>
<b>Service et support</b> . . . . .	<b>73</b>

---

## Contenido

---

<b>Cómo colocar sus pedidos de suministros</b> .....	<b>74</b>
<b>Cómo utilizar el menú de la impresora</b> .....	<b>75</b>
Navegación .....	75
Resumen del menú .....	76
<b>Configuración de los medios de impresión</b> .....	<b>78</b>
<b>Bandeja 1, y Bandejas 2 &amp; 3 opcionales</b> .....	<b>79</b>
Medios de impresión utilizables .....	79
Cómo cargar papel .....	80
<b>Bandeja multiuso</b> .....	<b>81</b>
Medios de impresión utilizables .....	81
Cargar el medio de impresión .....	82
<b>Bandejas de salida</b> .....	<b>83</b>
<b>Impresión duplex</b> .....	<b>84</b>
<b>Modo de ahorro de energía</b> ..	<b>85</b>
<b>Solución de atascos</b> .....	<b>86</b>
<b>El botón HELP (Ayuda)</b> .....	<b>94</b>
<b>Mensajes de error</b> .....	<b>95</b>
<b>Mantenimiento</b> .....	<b>103</b>
<b>Servicio &amp; Soporte</b> .....	<b>108</b>

---

## Sumário

---

<b>Pedidos de suministros de reposição</b> .....	<b>109</b>
<b>Uso do menu da impressora</b> .	<b>110</b>
Navegação .....	110
Resumo do menu .....	111
<b>Configurações da mídia de impressão</b> .....	<b>113</b>
<b>Bandeja 1 e bandejas opcionais 2 e 3</b> .....	<b>114</b>
Mídias de impressão utilizáveis .....	114
Colocação do papel .....	115
<b>Bandeja multifuncional</b> .....	<b>116</b>
Mídias de impressão utilizáveis .....	116
Colocação da mídia de impressão .....	117
<b>Escaninhos de saída</b> .....	<b>118</b>
<b>Impressão duplex</b> .....	<b>119</b>
<b>Modo de economia de energia</b> .....	<b>120</b>
<b>Eliminação de atolamentos de papel</b> .....	<b>121</b>
<b>Botão HELP</b> .....	<b>129</b>
<b>Mensagens de erro</b> .....	<b>130</b>
<b>Manutenção</b> .....	<b>138</b>
<b>Assistência técnica e suporte</b>	<b>143</b>

# Ordering Replacement Supplies

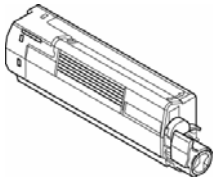
## How to Order

- Consult the dealer where you purchased your printer.
- Consult an Oki Data Authorized Sales or Service Dealer. For your nearest dealer, call 1-800-654-3282.
- U.S., Puerto Rico, Guam, U.S. Virgin Islands only: Order on the Internet at [WWW.OKIPRINTINGSOLUTIONS.COM](http://WWW.OKIPRINTINGSOLUTIONS.COM).
- U.S. only: Order toll-free by phone at 1-800-654-3282, using VISA®, MasterCard®, or AMEX®.

## Order Numbers

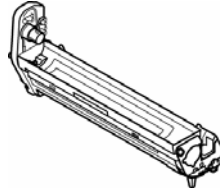
### Toners

*Important!*  
Use only genuine Oki Toner Cartridges.



Toner	Part No.
Black	44059112
Cyan	44059111
Magenta	44059110
Yellow	44059109

## Drums



Drum	Part No.
Black	44064016
Cyan	44064015
Magenta	44064014
Yellow	44064013

## Fusers and Transfer Belt

Item	Part No.
Fuser, 120V	43529404
Fuser, 230V	43529409
Transfer Belt	43449704

## Installation

These items include installation instructions.



# Using the Printer Menu Navigating

## Note

Settings made in the printer driver will override the printer menu settings.

## Navigating the Menu



1. Press the ENTER button to enter the Menu mode.



2. Press the ▼ or the ▲ button repeatedly to scroll through the Categories, Items and Values.



3. Press the ENTER button to select a Category, Item or Value to change, or to engage the new setting for a Value.



4. Press the Back button to go back up a level in the menu.



5. Press the ON LINE button to save the setting and to exit the Menu mode.

## For Example



If the MP Tray will normally be loaded with index cards, set the printer menu as follows:

1. Press ENTER.
2. Press ▼ repeatedly to scroll down to **Menus**. Press ENTER.
3. Press ENTER to select **Tray Configuration**.
4. Press ▼ repeatedly to scroll down to **MPTray Config**. Press ENTER.
5. Press ▼ repeatedly to scroll down to **Media Type**. Press ENTER.
6. Press ▼ repeatedly to scroll down to **Card Stock**. Press ENTER. *An asterisk appears next to Card Stock.*
7. Press ON LINE to engage the setting and to exit the menu.

# Using the Printer Menu

## Menu Summary

### Summary of Menu Categories

The listing below gives a typical menu summary. The menu items will vary depending on the options you have installed on your printer.

#### ► Configuration Menu

Includes information on the remaining life of the supplies (toners, image drums, etc.), network information and general system information.

#### ► Print Information Menu

For printing various reports containing information about the printer, including the Configuration report, Network information, the Demo page, lists of available fonts, etc.

#### ► Menus Menu

For setting up the configuration of the various trays and such system settings as Power Save Time, timeouts, jam recovery, etc. It also allows you to initiate a hex dump or to initiate the drum cleaning cycle.

#### ► System Adjust Menu

Set up network parameters, printer parameters, PS, PCL, IBM PPR and Epson FX parameters, etc. This section of the menu is generally reserved for the System Administrator and is password protected.

#### ► Calibration Menu

Adjust density, registration color tuning and color darkness.

### Printing the Configuration Report

The Configuration report provides a listing of the current printer menu settings.

1. Press ENTER.
2. Press ▼ repeatedly to scroll down to Print Information. Press ENTER.
3. Press ENTER to select Configuration.
4. Press ENTER to select Execute.  
*The Configuration report prints and the printer goes back on line.*

---

# Using the Printer Menu

## Resetting to the Defaults

---

### Resetting to the Original Printer Defaults

**Note:**

This requires access to the Admin Setup section of the printer menu which is password protected. It is normally done by the System Administrator. If you have no System Administrator, the default password is aaaaaa.

1. Press ENTER.
2. Press ▼ repeatedly to scroll down to Admin Setup. Press ENTER.
3. For each digit of the password, use the ▼/▲ buttons to select the value, then press the ENTER button.
4. Press ENTER.
5. Press ▼ repeatedly to scroll down to Settings. Press ENTER.
6. Press ENTER to select Reset Settings.
7. Press ENTER to select Execute.

*The printer resets and returns to the on-line state.*

# Print Media Settings

## *Important!*

*Always make sure the media setting matches the print media you are using.*

Improper media settings:

- cause poor quality printing
- cause flaking
- *can damage the printer*

## **Note**

*Printer driver settings override printer menu settings.*

## **Default Media Weight Setting**

The default media weight setting for Tray 1 and the MP Tray is Light.

## **Changing the Media Weight for One Print Job**

If you are printing a job on special media, you can temporarily load the media in a tray and change the media settings for that tray *in the driver* as you print the job.

## **Media Weight Settings**

<b>Setting</b>	<b>Media Weight</b>
Light	US Bond: 17 to 20 lb. Index: 35 to 42 lb. Metric: 64 to 82 g/m <sup>2</sup>
Medium Light	US Bond: 22 to 24 lb. Index: 46 to 50 lb. Metric: 83 to 90 g/m <sup>2</sup>
Medium	US Bond: 24 to 28 lb. Index: 50 to 58 lb. Metric: 91 to 105 g/m <sup>2</sup>
Heavy	US Bond: 30 to 34 lb. Index: 62 to 71 lb. Metric: 106 to 128 g/m <sup>2</sup>
Ultra Heavy	US Bond: 36 to 54 lb. Index: 75 to 113 lb. Cover: 50 to 75 lb. Metric: 129 to 203 g/m <sup>2</sup>
Ultra Heavy2	US Bond: 54 to 58 lb. Index: 113 to 141 lb. Cover: 75 to 80 lb. Metric: 204 to 220 g/m <sup>2</sup>

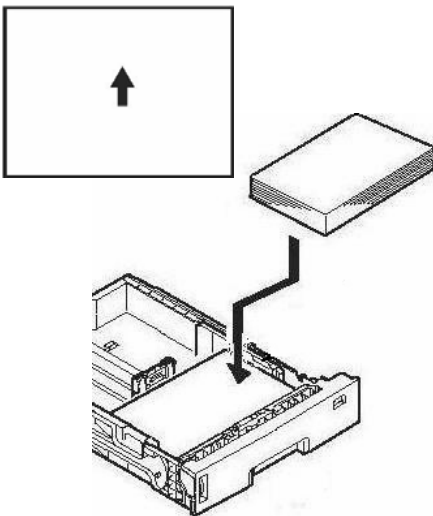
# Tray 1 and Optional Trays 2 and 3

## Usable Print Media

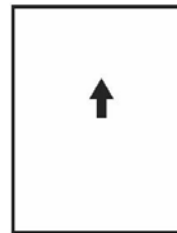
### Media Specifications

<b>Weight Range</b>	<p>Tray 1: 17 to 32 lb. US Bond (64 to 120 g/m<sup>2</sup>)</p> <p>Optional Trays 2, 3: 17 to 47 lb. US Bond (64 to 176 g/m<sup>2</sup>)</p> <p><b>Note:</b> When using duplex printing, the weight range is restricted to a maximum of (105 g/m<sup>2</sup>).</p>
<b>Standard Sizes:</b>	<p>Letter LEF*, Letter SEF**, Tabloid, Legal-14, Legal-13.5, Legal-13, Executive, A3, A4 LEF, A4 SEF, A5,B4, B5 LEF, B5 SEF. Tray 1 only: A6.</p>
<b>Custom Sizes:</b> Must be defined in driver before printing: see your on-line User's Guide.	<p><i>Simplex Printing</i> (printing on one side):</p> <ul style="list-style-type: none"> <li>• Min.: 4.1 x 5.8" (105 x 148 mm)</li> <li>• Max.: 12.91" x 17" (328 x 432 mm)</li> </ul> <p><i>Duplex Printing</i> (printing on both sides): duplex unit is standard on Models C830dn and C830dtn, optional on Model C830n):</p> <ul style="list-style-type: none"> <li>• Min.: 5.8 x 7.16" (148 x 182 mm)</li> <li>• Max.: 11.7 x 16.5" (297 x 420 mm)</li> </ul>
<b>Capacity:</b>	<p>Tray 1: 300 sheets of 20-lb. (75 g/m<sup>2</sup>) paper</p> <p>Optional Trays 2, 3: 530 sheets of 20-lb. (75 g/m<sup>2</sup>) paper</p>

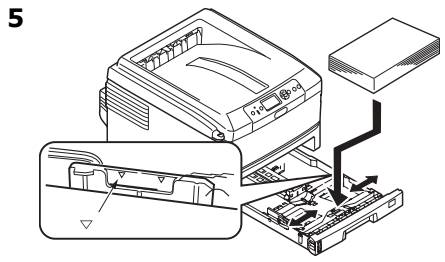
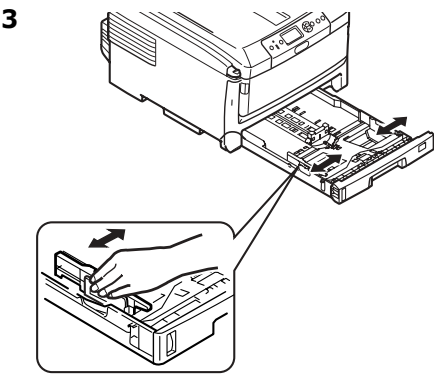
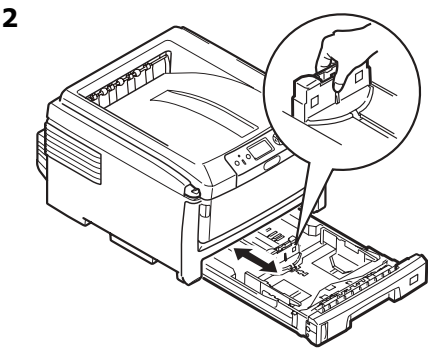
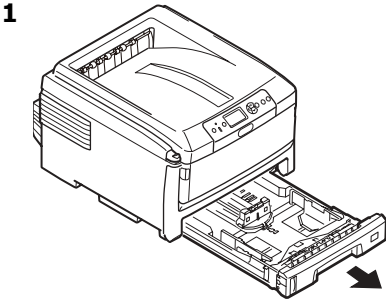
\* LEF = Long Edge Feed:



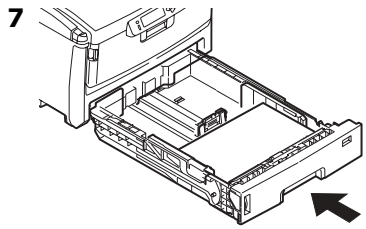
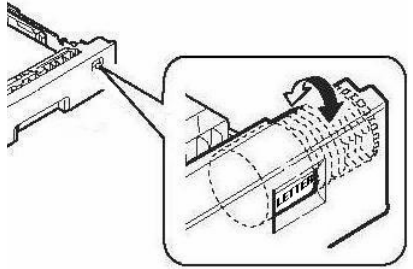
\*\* SEF = Short Edge Feed.



# Tray 1 and Optional Trays 2, 3 (cont.) Loading Paper



**6 Important! Adjust the paper size dial to the size of the paper being used.**



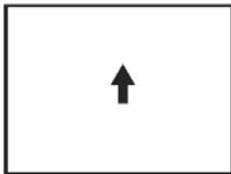
# Multi-Purpose Tray

## Usable Print Media

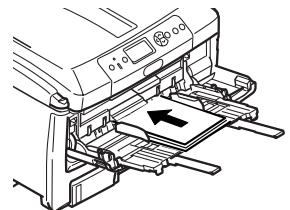
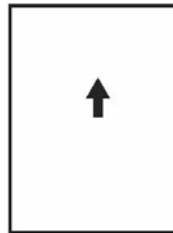
### Media Specifications

<b>Weight Range</b>	17 to 58 lb. US Bond (35 to 120 lb. Index, 64 to 220 g/m <sup>2</sup> metric) Banner Paper: 22 to 34 lb. US Bond (83 to 128 g/m <sup>2</sup> )
<b>Standard Sizes:</b>	Letter LEF*, Letter SEF**, Legal-14, Legal-13.5, Legal-13, Tabloid, Executive, A3, A4 SEF, A4 LEF, A5, A6, B4, B5 SEF, B5 LEF, and COM-10, DL, C4 and C5 Envelopes.
<b>Custom Sizes:</b> Must be defined in driver before printing: see your on-line User's Guide.	Min. 2.5 " x 4.1 " [64 x 105 mm] Max. 11.69" x 17" [297 x 432 mm] Default = Letter (LEF) . <i>Banners: 8.25" to 11.69" (210 to 297 mm) wide by 17" to 52" (432 mm to 1320 mm) long. Must be fed one sheet at a time.</i>
<b>Takes:</b>	<ul style="list-style-type: none"> <li>• 100 sheets 20-lb. (75 g/m<sup>2</sup>) paper</li> <li>• 10 envelopes</li> <li>• 20 sheets of labels</li> <li>• Transparencies, short edge feed, one at a time</li> <li>• Banners, one at a time</li> </ul>

**\* LEF = Long Edge Feed:**

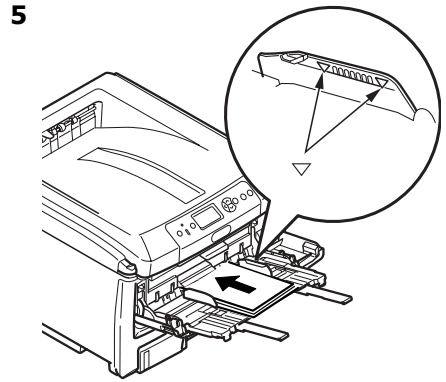
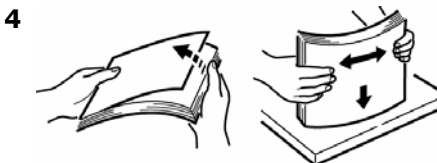
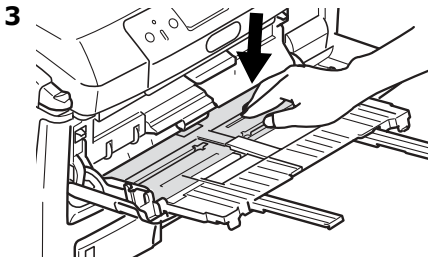
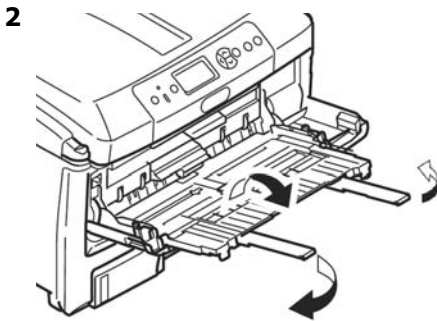
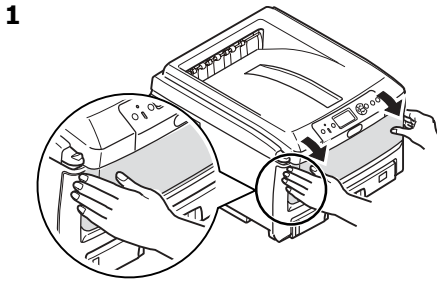


**\*\* SEF = Short Edge Feed.**



# Multi-Purpose Tray (cont.)

## Loading Print Media

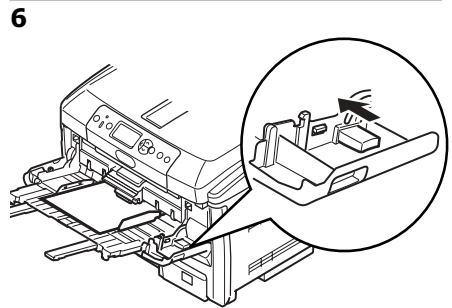


### Letterhead Stationery

- Load face **up**, top edge **into** the printer.

### Envelopes

- Load print side **up** (flap down) with top edge aimed **into** the printer.

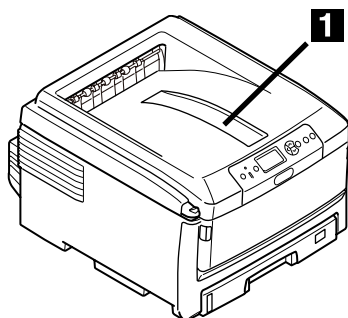




# Exit Trays

## Top (Face Down) Exit Tray

This is the exit tray that is normally used.



- For papers up to 34 lb. US Bond (128 g/m<sup>2</sup>).
- Holds up to 250 sheets of 20-lb. US Bond (75 g/m<sup>2</sup>) paper.
- Sheets exit face down.

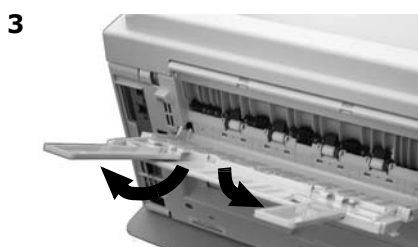
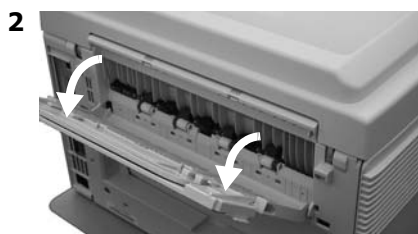
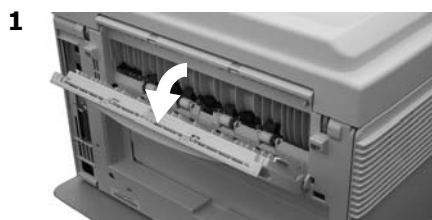
## Rear (Face Up) Exit Tray

- Provides straight-through, curl-free print path for transparencies, envelopes, labels and heavy paper.
- Handles paper from 17 to 58 lb. US Bond (64 to 220 g/m<sup>2</sup>).
- Holds up to 100 sheets of 20-lb. US Bond (75 g/m<sup>2</sup>) paper.
- Sheets exit face up (for multi-page documents, select reverse order printing in your application Print dialog box).

## Note

If the rear tray is open, all printed pages will exit there regardless of the printer driver setting.

## Opening the Rear Exit Tray



# Duplex Printing (Printing on Both Sides of the Page)

## Long Edge versus Short Edge

*Long Edge*



*Short Edge*



## Specifications

*Paper Weight*

17 to 28 lb. US Bond (64 to 105 g/m<sup>2</sup>).

### Note

If you experience curling, switch to 28 lb. paper.

*Paper Feed*

Tray 1, optional Tray 2 or MP Tray.

*Paper Exit*

Top Exit Tray or Rear Exit tray.

*Paper Sizes*

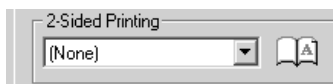
- **Standard:** Letter, Legal-14, Legal-13.5, Legal-13, Tabloid, Executive, A3, A4 LEF, A5 SEF, B4, B5 LEF.
- **Custom:** *MP Tray only*, minimum 5.8" x 8¼" (148,5 x 182 mm), maximum 11.69 x 16.5" (297 x 420 mm).

## How to Print a File Using the Duplexer

Open the file you wish to print and click File → Print. Select your C830 printer.

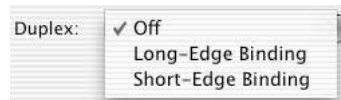
*Windows*

1. For all but Windows 2000, click Properties or Preferences. Otherwise go to step 2.
2. On the Setup tab, select Long Edge or Short Edge under 2-Sided Printing.



*Macintosh*

1. Under Presets, select Duplex.
2. Under Duplex, select Long-Edge Binding or Short-Edge Binding.



---

# Power Save Mode

---

Power Save sets how long the printer waits before going into standby mode. This saves energy, but the printer requires time to warm up when it receives a print job or if you want to enter the menu and change settings.

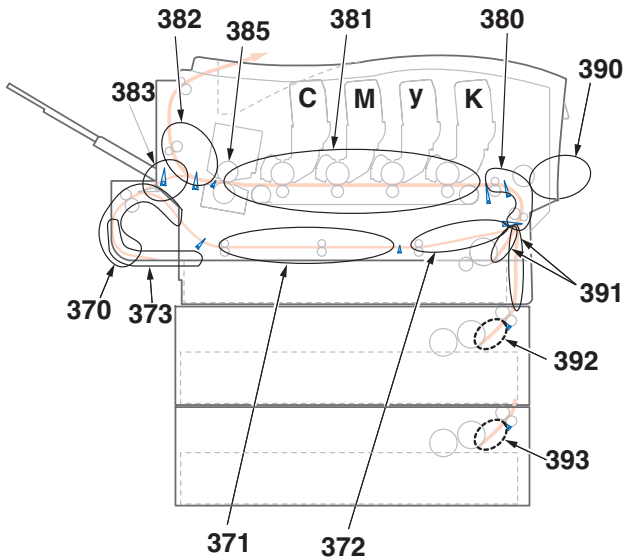
## Setting the Power Save Interval

1. Press ENTER.
2. Press ▼ repeatedly to scroll down to Menus. Press Enter.
3. Press ▼ repeatedly to scroll down to System Adjust. Press ENTER.
4. Press ENTER to select Power Save Time.
5. Use ▼ and ▲ to highlight the power save time you wish to select (5, 15, 30, 60 [default], or 240 minutes), then press ENTER.  
*An Asterisk (\*) appears next to the value.*
6. Press On Line to set the new value and exit the menu.

## Disabling (or Re-enabling) Power Save

Only the System Administrator can disable or re-enable the Power Save Mode. Information on doing this can be found under "Menu Functions" in the on-line User's Guide on the CD supplied with your printer.

# Clearing Media Jams



When "Paper Jam" appears on the second line of the display, there is print media jammed in the printer. Depending on where the media is jammed, there may be more than one sheet stuck in the printer.

*If one sheet is removed and there are still more sheets in the printer, the initial message will go away temporarily, then "Paper Jam" will appear again.*

## Paper Jam Error Message Summary

Error No.	Location of Jam
370	Duplex reversal <sup>1</sup>
371	Duplex input*
372	Duplex misfeed*
373	Duplex unit multifeed*
380	Paper feed
381	Paper path
382	Paper exit

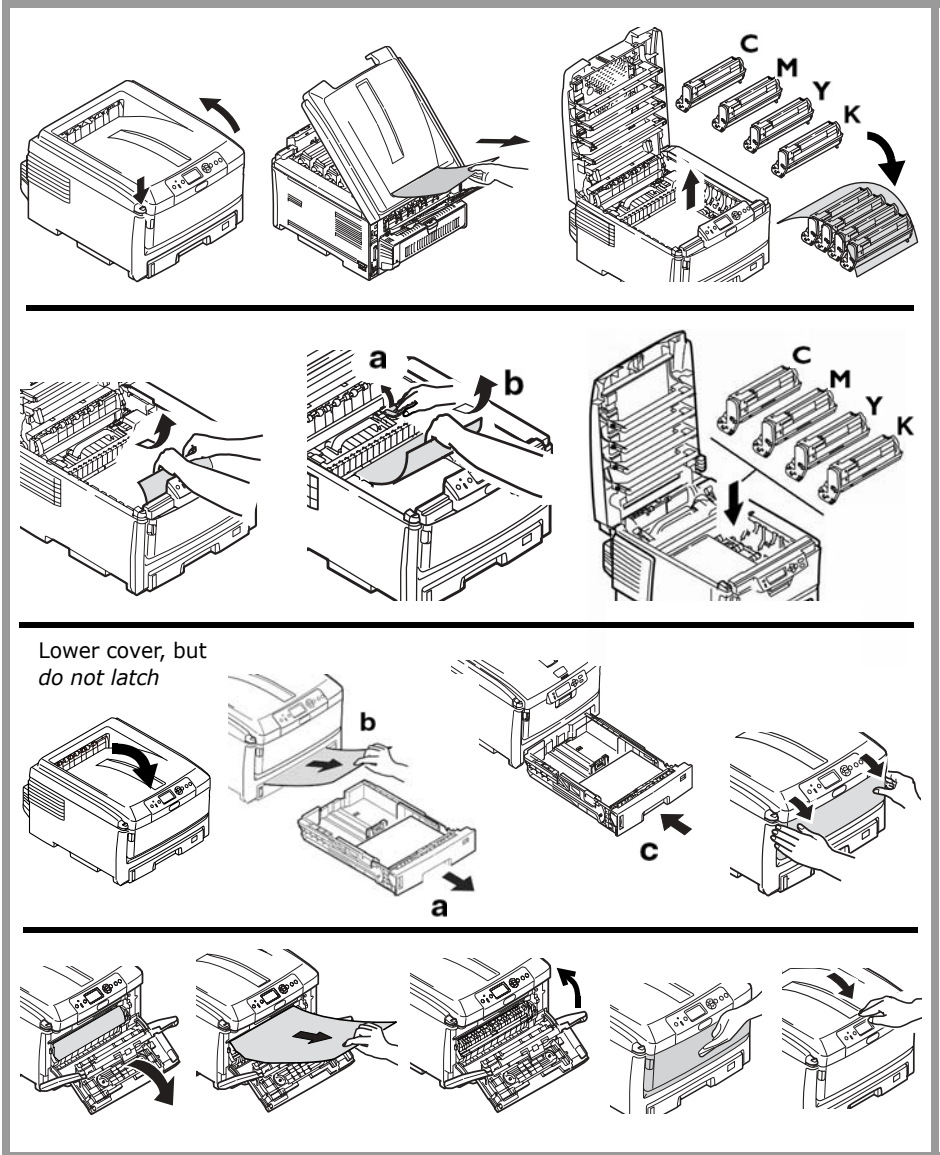
Error No.	Location of Jam
383	Duplex entry*
385	Fuser Unit
390	MP Tray
391	Paper Tray 1
392	2nd Paper tray*
393	3rd Paper tray*

1. Applies only if this option is installed.

# Clearing Media Jams (cont.)

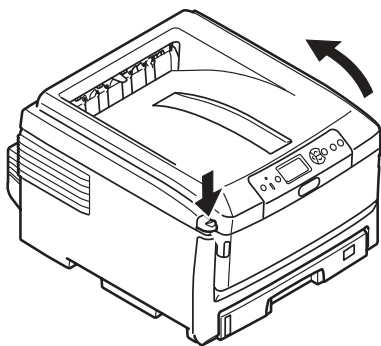
The box below contains a summary of the basic process for clearing jams.

For more details see the pages which follow.



# Clearing Media Jams (cont.)

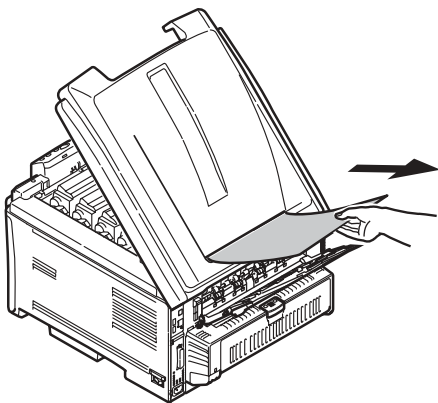
1. Open the top cover.



2. If a sheet is well advanced out of the top of the printer, grip it and pull gently to draw it fully out.

**Note**

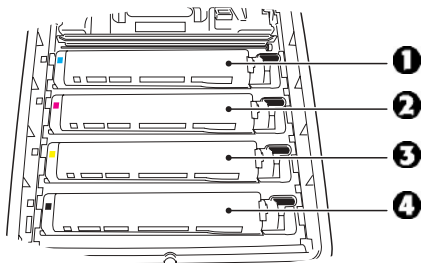
If the sheet is not well advanced, it will be removed in step 7.



**Caution**

**The fuser may be hot! It is clearly labelled. Do not touch it.**

Note the location of the various color toner cartridges.



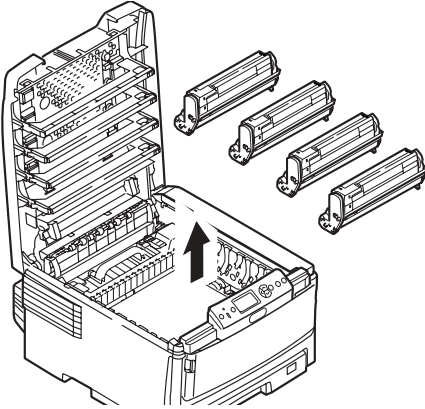
- 1 = Cyan
- 2 = Magenta
- 3 = Yellow
- 4 = Black

**Caution!**

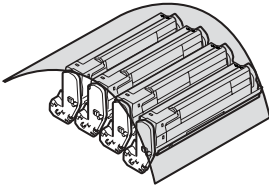
**Do not touch the green image drum surface or expose it to light for more than 5 minutes.**

# Clearing Media Jams (cont.)

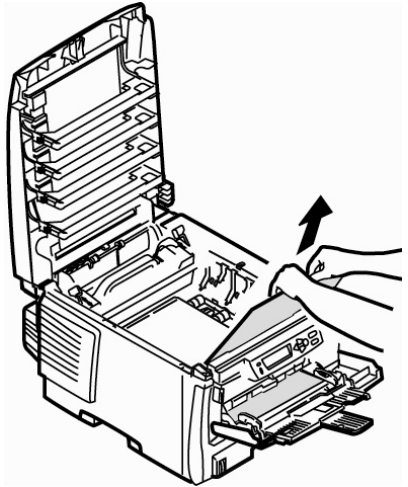
3. Remove all the image drums/toner cartridges, and place them on a flat surface.



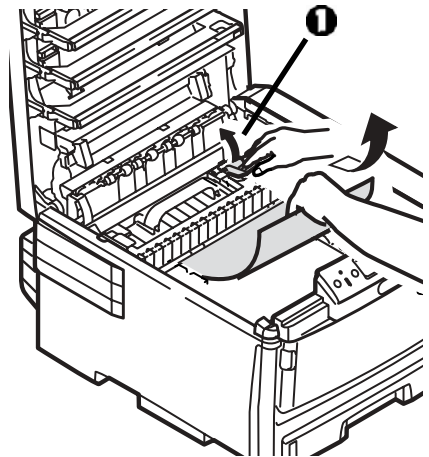
4. Cover them to protect them from light.



5. Gently remove any jammed sheet(s).



6. If a sheet is stuck in the fuser, pull the fuser release lever (1) forward, then remove the sheet.

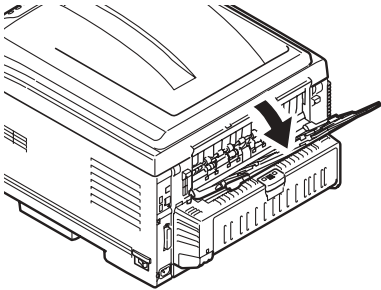


# Clearing Media Jams (cont.)

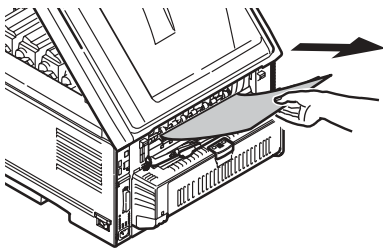
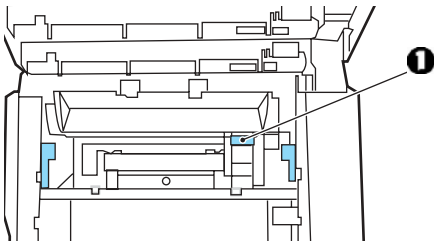
7. If the sheet is difficult to remove from the fuser:

**Caution!**  
**The fuser may be hot! It is clearly labelled. Do not touch it.**

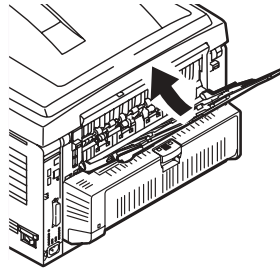
a. If it is not already in use, lower the rear exit tray



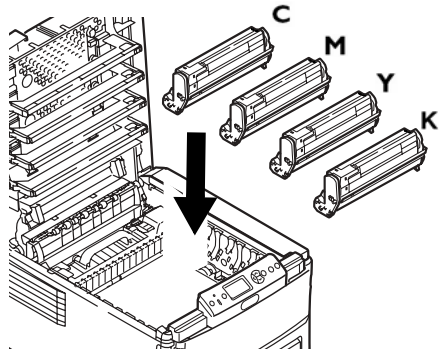
b. Reach in and push the fuser release lever (1) and pull the sheet out from the back.



c. If you are not using the rear exit tray, close it.



8. Replace the image drums/toners, being careful to install them in the proper sequence.

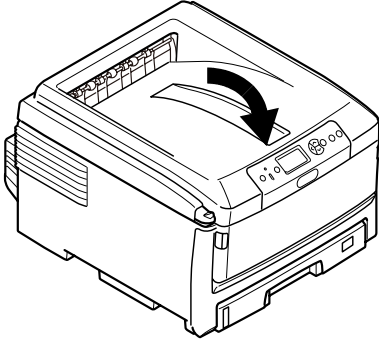


C = Cyan  
M = Magenta  
Y = Yellow  
K = Black

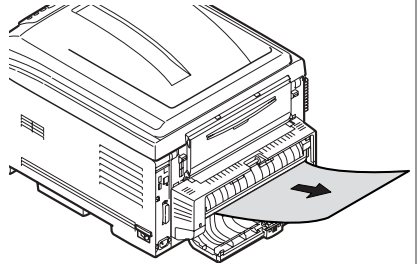
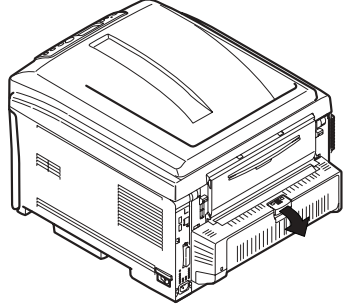


# Clearing Media Jams (cont.)

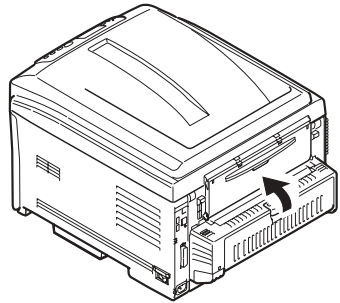
9. Lower the printer cover to protect the image drums from light, but *do not latch it*.



**For printers equipped with the optional duplexer:**  
Open the duplex unit cover and remove any sheets.

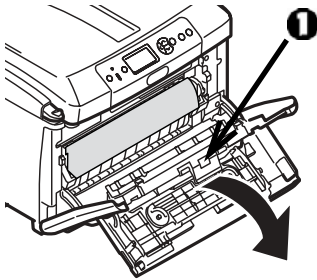
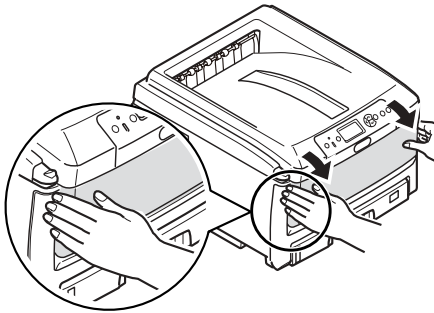


Close the duplex unit cover.

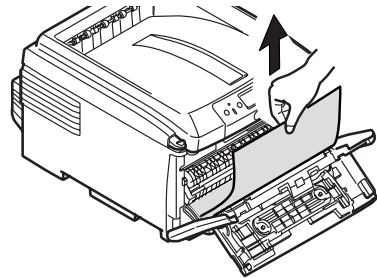
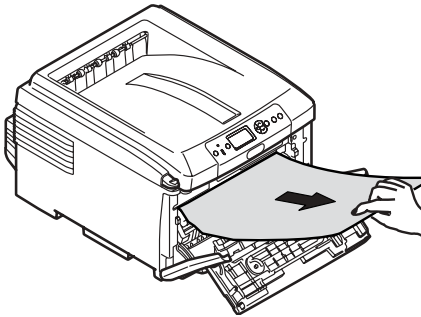


# Clearing Media Jams (cont.)

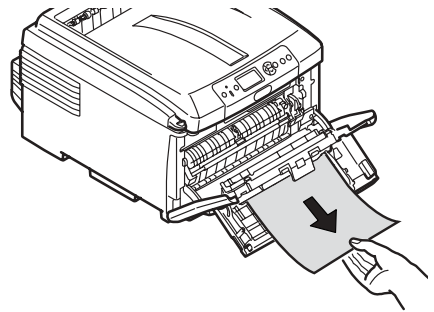
**10.** If it is not already open, lower the MP Tray, then lift the inside cover release (1) and open the inside cover.



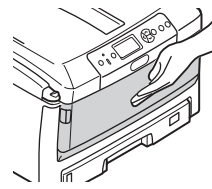
**11.** Remove any jammed paper.



**12.** Close the inside front cover.

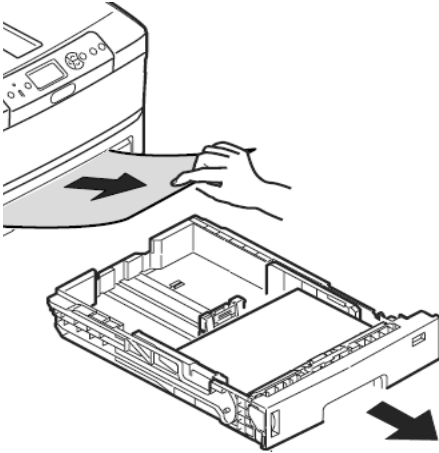


**13.** If you are not using it, close the MP Tray.

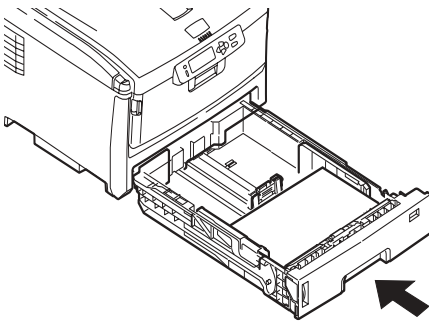


# Clearing Media Jams (cont.)

14. Pull out the paper tray and remove any jammed paper.

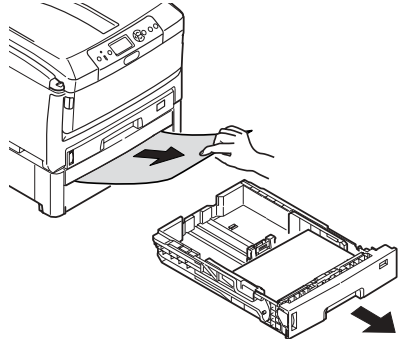


15. Close the tray.

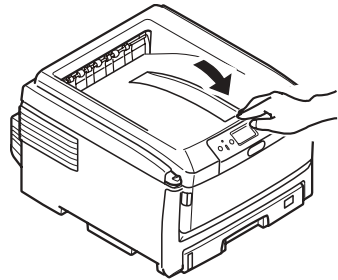


**For printers equipped with the optional paper tray(s):**

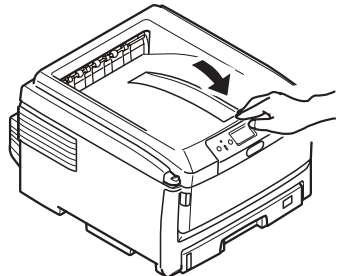
Pull out the optional paper tray and remove any jammed paper.



Close the tray.



16. Press down on the printer cover to latch it.



---

# The HELP Button

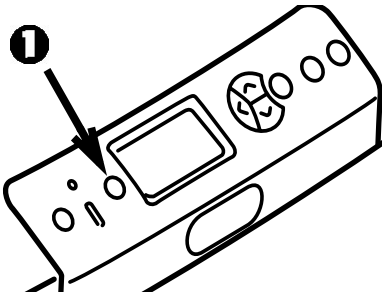
---

Your printer has a built-in help system.

When you see the message

**Please see HELP for details**

on the display, press the HELP button (1).



The display shows information that will help you correct the error.

Use the ▼ key to move down through the Help information.

For more information, see the on-line User's Guide on the Documentation CD provided with your printer.

# Error Messages

Here are the more common error messages and what to do when you see them.

Whenever you see the line "Please see HELP for details" at the bottom of the display, you can press the Help button on the control panel for more information.

## Toner Cartridge Error Messages

Toner Sensor Error  
XXXX

There is a problem with the toner cartridge color XXXX.

Open the cover.

Check to be sure that the indicated toner cartridge is firmly seated in the drum and that the lock lever is pushed as far toward the back of the printer as it will go. Close the cover.

If this does not clear the message, call your local service dealer.

XXXX Toner Low

Appears on the second line of the display to indicate that the color toner indicated (XXX) is nearing end of life. Be sure you have the required genuine Oki replacement toner on hand (see page 4).

### Note

If you have changed the Low Toner setting to Stop, the ATTENTION light will blink and you must either replace the toner cartridge immediately or press the ON LINE button to continue printing.

Non Genuine XXXX Toner

Appears on the second line of the display to indicate that the toner cartridge color XXXX does not have the correct RFI chip.

XXXX:

- 550 = Yellow
- 551 = Magenta
- 552 = Cyan
- 553 - = Black

Replace the indicated color toner with a genuine Oki toner cartridge.

# Error Messages

## Image Drum Error Messages

XXXX Image Drum Near Life

Appears on the second line of the display to indicate that the color XXXX image drum is nearing end of life. Be sure to have the required replacement image drum on hand (see page 4).

Install New Image Drum  
Image Drum Life  
XXXX

Please see HELP for details

Image drum of color XXXX needs to be replaced.

XXXX:

- 350 or 560 = Yellow
- 351 or 561 = Magenta
- 352 or 562 = Cyan
- 353 or 563 = Black

Replace the indicated image drum. (See the instructions supplied with the image drum.)

Check Image Drum  
XXXX

Please see HELP for details

Indicate that the XXXX image drum is not properly installed.

XXXX:

- 340 = Yellow
- 341 = Magenta
- 342 = Cyan
- 343 = Black

# Error Messages

## Belt and Fuser Error Messages

ZZZZ Near Life

Appears on the second line of the display to indicate that the item ZZZZ (belt or fuser) is nearing its end of life.

Be sure you have the required replacement item on hand (see page 4).

Change ZZZZ Unit

Appears on the second line of the display to indicate that the item specified (belt or fuser) has reached its end of life and needs to be replaced.

Install New ZZZ Unit  
ZZZ Unit Life

Please see HELP for details

Indicates that ZZZ (Belt or Fuser) must be replaced.

Check ZZZZ Unit

Please see HELP for details

Indicate that the item ZZZ (Belt or Fuser) is not properly installed.

# Error Messages

## Paper Tray Error Messages

XXXX Empty

Appears n the second line of the display to indicate that more print media needs to be loaded in the specified tray (XXXX).

Install Paper  
TrayX  
MMMM  
Press ONLINE Button

A print job has been sent to TrayX, but the tray is empty.

Load the required media (MMMM), then press the On Line button.

Install Paper  
MP Tray  
XXXX  
Press ONLINE Button

A print job has been sent to the MP Tray, but the required print media is not loaded in the tray.

Load the required media (XXXX), then press the On Line button.

Change Paper in TrayX  
SSSS  
MMMM  
Press ONLINE Button  
Please see HELP for details.

The media in the tray selected for the print job does not match the media specified for the print job.

Remove the print media from the tray and substitute the requested size (SSSS) and type (MMMM) of media, then press the On Line button. .

Change Paper in MPTray  
SSSS  
MMMM  
Press ONLINE Button  
Please see HELP for details

The media in the MP tray does not match the media specified for the print job.

Remove the print media from the MP tray and substitute the requested size (SSSS) and type (MMMM) of media, then press the On Line button.



# Error Messages

## Paper Tray Error Messages (cont.)

Check Paper  
Paper Size Error  
TrayX

Please see HELP for details

An inappropriate size media is loaded in the indicated tray.

Open the tray and check for missfeeds, removing any jammed media.

Load an appropriate size media in the tray. Open and close the top cover to clear the error and continue printing.

## Paper Jam Error Messages .

XXX  
Paper Jam  
YYY

Please see HELP for details

“Paper Jam” appears on the second line of the display when paper jams in the printer.

To fix the problem, see “Clearing Media Jams” stating on page 16, or press the HELP button on the printer control panel.

Check Paper  
Paper Multi Feed  
TrayX

Please see HELP for details

Two or more sheets of paper stuck together and both fed from the tray.

Pull open the tray and remove any missfed sheets, then open and close the top cover to clear the error and continue printing.

# Error Messages

## “Paper Remain” Error Messages

### Note

These messages should not appear if the procedure described under “Clearing Media Jams” starting on page 16 is followed when clearing paper jams. .

Open Cassette  
Paper Remain  
TTTT

Please see HELP for details

Additional paper is jammed in the indicated tray TTTT:

631 = Tray 1

632 = (optional) Tray 2

633 = (optional) Tray 3

Pull out the tray and remove the jammed paper.

For more information, see “Clearing Media Jams” starting on page 16, or press the HELP button on the printer control panel.

Open Cover  
Paper Remain  
Front Cover

Please see HELP for details.

Additional paper is jammed behind the front cover.

For more information, see page 22, or press the HELP button on the printer control panel. .

Open Cover  
Paper Remain  
Top Cover

Please see HELP for details

Additional paper is jammed around the top cover. Error Codes:

638 = paper transport path

639 = paper exit path

640 = duplex entry path

For more information, see “Clearing Media Jams” starting on page 16, or press the HELP button on the printer control panel.

# Error Messages

## “Paper Remain” Error Messages (cont.)

Check Duplex Unit  
Paper Remain

Please see HELP for details.

Additional paper is jammed in the duplex unit. Error Codes:

641 = Duplex Reversal Area

642 = Duplex Transport Path

For more information, see page 21, or press the HELP button on the control panel.

## CAPM (Color Access Policy Manager) and Job Accounting Error Messages

The CAPM and Job Accounting utilities allow the System Administrator to set up printing restrictions for a networked C830 printer. If the one of the utilities is engaged, messages may appear on the second line of the display regarding print jobs from users who have restricted access or no access to the printer.

To clear the message, press the On Line button.

If you have any questions, contact your System Administrator.

Color Restricted. Mono Printed

Appears on the second line of the display to indicate that a color print job sent by a user who is not permitted to print color jobs has been printed in monochrome instead.

Press the ONLINE button to clear the message.

Color Restricted. Job Rejected

Appears on the second line of the display to indicate that a color print job sent by a user who is not permitted to print color jobs has been rejected because the printer was unable to print the job in monochrome instead.

Press the ONLINE button to clear the message.

# Error Messages

## CAPM and Job Accounting Error Messages (cont.)

Print Restricted. Job Rejected

Appears on the second line of the display to indicate that a print job requested by someone who is not permitted to send jobs to this printer was rejected.

Press the ONLINE button to clear the message.

Log Buffer is Full. Job Rejected

Appears on the second line of the display to indicate that the Log buffer is full and the print job has been rejected.

Press the On Line button to clear the message. Contact your System Administrator.

## Miscellaneous Error Messages

Press ONLINE Button for Restoration  
Memory Overflow

The print job has exceeded the printer's buffer.

Reduce the size of the file being printed (e.g., print the file as separate pages or groups of pages instead of all the pages at one time).

If this happens frequently, consider installing additional memory (Oki P/N 70051701, 512 MB) in the printer.

Remove Paper  
Face Down Stacker

Please see HELP for details

The top exit tray has reached its capacity. You must remove the stack of printed media from the tray before continuing to print.

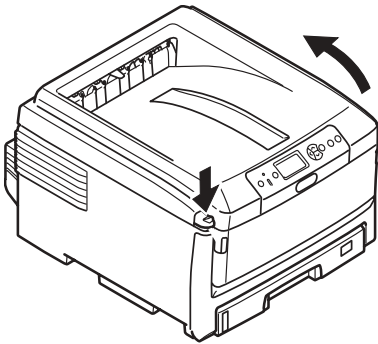
# Maintenance

## Cleaning the LED Heads

Clean the LED heads:

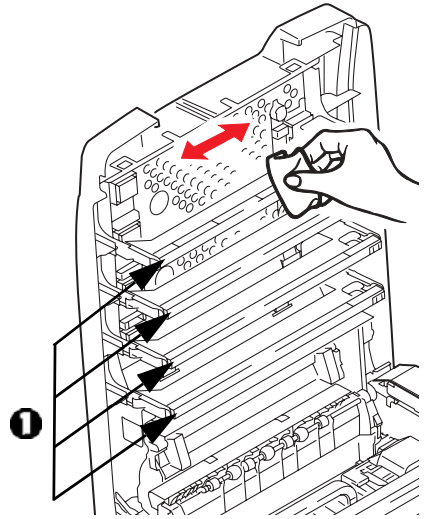
- any time you replace a toner cartridge (an LED lens cleaner is included with each replacement toner cartridge)
- if printing is showing signs of faded images, white stripes or blurred letters

1. Open the top cover.

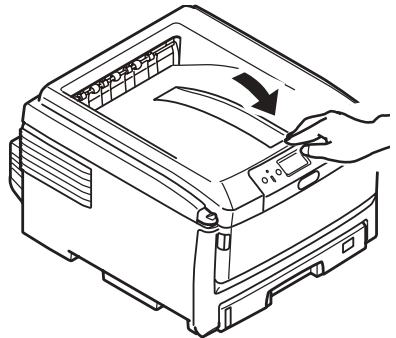


**Caution!**  
**Do not use methyl alcohol or other solvents on the LED head as damage to the lens surface will occur.**

2. Use the LED cleaner provided with the toner cartridges or a soft, lint-free cloth to gently wipe each of the four heads (1). Move the cleaner as shown, using a fresh section for each pass.



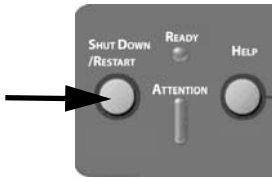
3. Close the top cover.



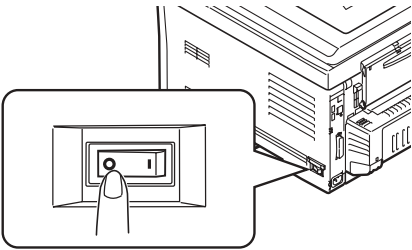
# Maintenance (cont.)

## Cleaning the MP Tray Feed Rollers

1. If the optional hard disk drive is installed in the printer, press and hold the Shut Down Restart button on the control panel for 3 seconds and wait for the display to tell you it is okay to turn off the printer. Otherwise go to the next step.

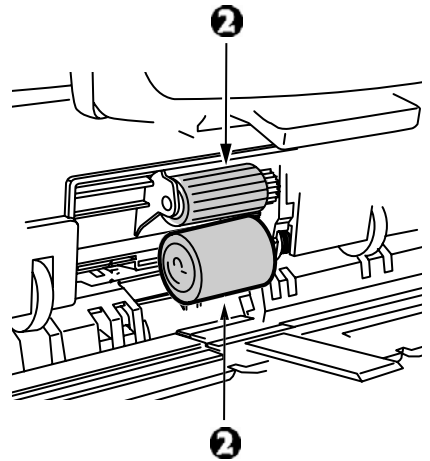
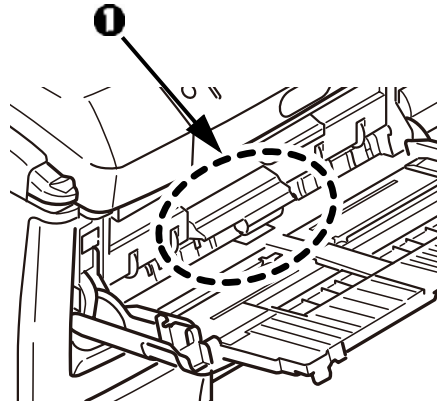


2. Turn the printer off.



3. Remove any print media loaded in the MP Tray.

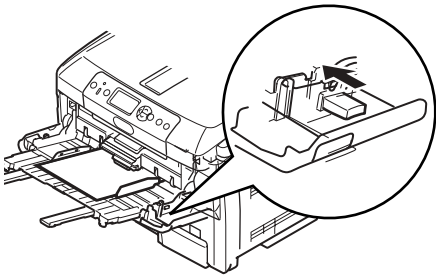
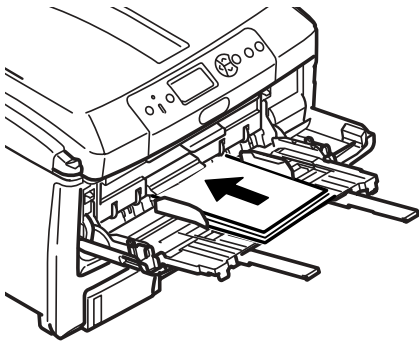
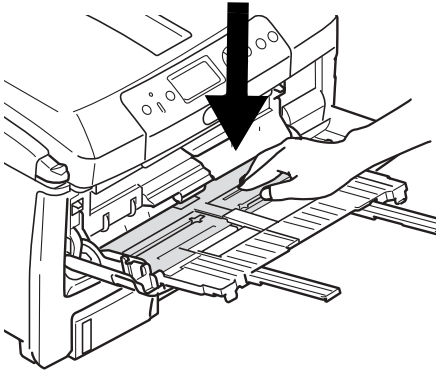
4. Lift up the roller cover (1) and wipe the two paper feed rollers (2) with a soft cloth lightly moistened with water.



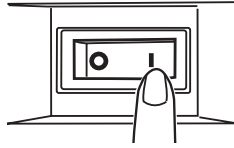
# Maintenance (cont.)

## Cleaning the MP Tray Feed Rollers

5. Reload the print media in the MP Tray.



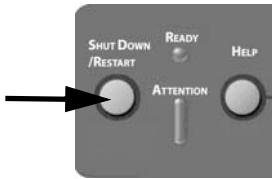
6. Turn on the printer.



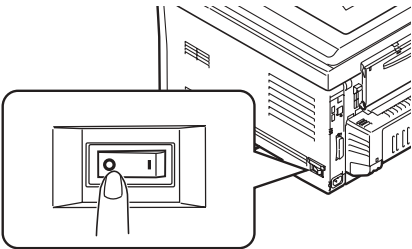
# Maintenance (cont.)

## Cleaning the Tray 1 Feed rollers

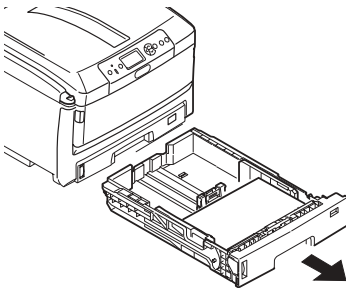
1. If a hard disk drive is installed in the printer, press and hold the Shutdown/Reset button on the control panel for 3 seconds and wait for the display to tell you it is okay to turn off the printer. Otherwise go to the next step.



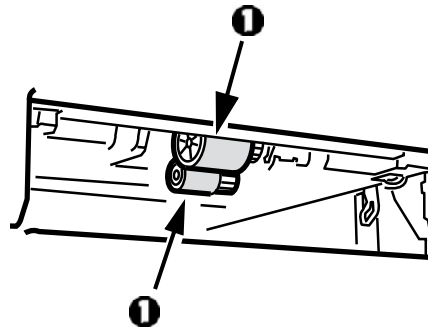
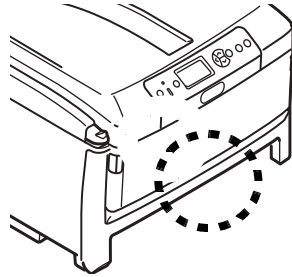
2. Turn the printer off.



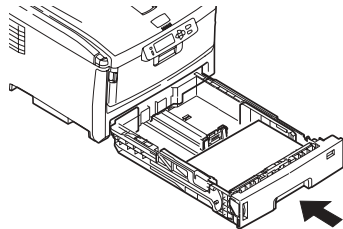
3. Remove Tray 1 from the printer.



4. Gaining access through the gap left by Tray 1, wipe the two paper feed rollers (1) with a soft cloth lightly moistened with water.



5. Replace Tray 1.



6. Turn the printer on.



---

# Maintenance (cont.)

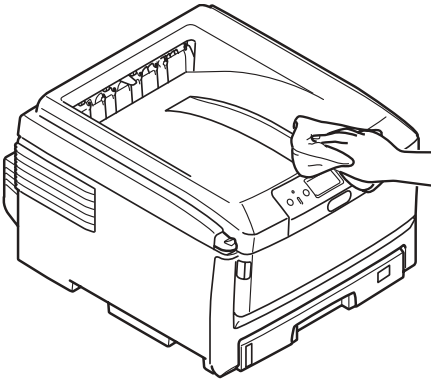
## Cleaning the Printer

---

*Important!*

*Never use solvents or strong detergents on the cabinet: they could cause damage.*

Use a soft, damp cloth to wipe the housing clean.



---

# Service & Support

---

## First ...

Consult the store where you purchased your printer.

## Additional OKI Resources

- Available 24 hours a day, 7 days a week
- Visit [MY.OKIDATA.COM](http://MY.OKIDATA.COM) for the latest information on
  - drivers and utilities
  - troubleshooting
  - Product news
  - and much more!
- Call 1-800-654-3282.

---

OKI is a registered trademark of Oki Electric Industry Company, Ltd.

AmEx is a registered trademark of American Express Co.

MasterCard is a registered trademark of MasterCard International, Inc.

VISA is a registered trademark of Visa.

Windows is either a registered trademark or trademark of Microsoft Corporation in the United States and other countries.

# Commande de fournitures

## Comment s'y prendre

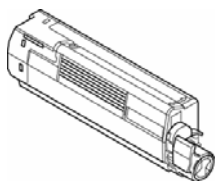
- Voyez le revendeur qui vous a vendu votre imprimante.
- Voyez un revendeur ou un service après-vente Oki Data agréé. (Pour connaître le revendeur le plus proche, composez le 1 800 654-3282.)
- Voyez les catalogues de fournitures de bureau.

## Numéros de commande

### Toner

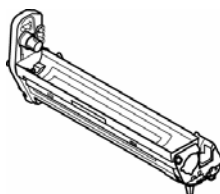
*Important!*

*Utilisez uniquement des cartouches de toner Oki authentique.*



Toner	N° de réf.
Noir	44059112
Cyan	44059111
Magenta	44059110
Juane	44059109

## Tambours d'image



Tambour	N° de réf.
Noir	44064016
Cyan	44064015
Magenta	44064014
Jaune	44064013

## Unités de fusion et courroie de transfert

Élément	N° de réf.
Unité de fusion 120 V	43529404
Unité de fusion 230 V	43529409
Courroie de transfert	43449704

## Installation

Ces éléments comprennent des directives d'installation.

# Utilisation des menus de l'imprimante

## Déplacement

### Remarque

Les paramètres du pilote d'imprimante ont préséance sur les paramètres des menus de l'imprimante.

### Déplacement dans les menus



1. Appuyez sur le bouton ENTER [Entrée] pour accéder au mode Menu.



2. Appuyez sur le bouton ▼ ou ▲ pour faire défiler les catégories, éléments et valeurs.



3. Appuyez sur le bouton ENTER [Entrée] pour sélectionner une catégorie, un élément ou une valeur, ou pour valider une nouvelle valeur.



4. Appuyez sur le bouton BACK [Précédent] pour accéder au niveau précédent de menu.



5. Appuyez sur le bouton ON LINE [En ligne] pour sauvegarder le paramètre et quitter le mode Menu.

### Exemple



Si le bac MF est utilisé pour les supports cartonnés, configurez les menus de l'imprimante comme suit.

1. Appuyez sur ENTER [Entrée].
2. Appuyez à plusieurs reprises sur ▼ pour accéder à *Menus*. Appuyez sur ENTER [Entrée].
3. Appuyez sur ENTER [Entrée] pour sélectionner Tray Configuration [Configuration bacs].
4. Appuyez à plusieurs reprises sur ▼ jusqu'à ce que MPTray Config (Configuration de bac MF). Appuyez sur ENTER [Entrée].
5. Appuyez à plusieurs reprises sur ▼ jusqu'à ce que Card Stock [Cartonné] s'affiche. Appuyez sur ENTER [Entrée].  
*Un astérisque (\*) s'affiche à côté de Card Stock [Cartonné].*
6. Appuyez sur On LINE [En ligne] pour enregistrer le paramètre et quitter le menu.

# Utilisation des menus de l'imprimante

## Sommaire des menus

### Sommaire des menus

La liste ci-dessous propose un sommaire des menus type. Les éléments de menu varient en fonction des options installées sur votre imprimante.

#### ► **Menu Configuration**

Inclut les renseignements sur la durée de vie restante des consommables (cartouches de toner, tambours d'image, etc.), sur le réseau ainsi que des renseignements généraux sur le système.

#### ► **Menu Print Information [Imprimer information]**

Permet d'imprimer plusieurs rapports comportant des renseignements sur l'imprimante, incluant configuration, renseignements réseau, page de démonstration, liste des polices disponibles, etc.

#### ► **Menu Menus**

Pour la configuration des bacs ainsi que des paramètres système comme le délai avant l'activation du mode Économie d'énergie, les temporisations, la reprise sur bourrage, etc. Permet également d'effectuer un vidage mémoire hexadécimal ou de lancer un cycle de nettoyage des tambours.

#### ► **Menu System Adjust [Ajust. système]**

Configurez les paramètres de réseau, les paramètres d'imprimante, les paramètres d'émulations PS, PCL, IBM PPR et Epson FX, etc. Cette section est normalement réservée à l'administrateur système et est protégée par mot de passe.

#### ► **Menu Calibration [Calibrage]**

Règle la densité, le cadrage et l'intensité des couleurs.

### Impression du rapport Configuration

Le rapport Configuration fournit la liste des paramètres courants des menus d'imprimante.

1. Appuyez sur ENTER [Entrée].
2. Appuyez à plusieurs reprises sur ▼ pour accéder à Print Information [Imprimer information]. Appuyez sur ENTER [Entrée].
3. Appuyez sur ENTER [Entrée] pour sélectionner Configuration.
4. Appuyez sur ENTER [Entrée] pour sélectionner Execute [Exécuter].  
*Le rapport Configuration s'imprime et l'imprimante se remet en ligne.*

# Utilisation des menus de l'imprimante

## Restauration des paramètres par défaut

### Restauration des paramètres par défaut d'origine de l'imprimante

#### Note :

Cela nécessite l'accès au menu *Admin Setup* [Config. admin.] de l'imprimante, qui est protégé par mot de passe. Cela est normalement effectué par l'administrateur système. Si vous n'avez pas d'administrateur système, le mot de passe par défaut est « aaaaaa ».

1. Appuyez sur ENTER [Entrée].
2. Appuyez à plusieurs reprises sur ▼ pour accéder à Admin Setup [Config. admin.]. Appuyez sur ENTER [Entrée].
3. Pour chaque caractère du mot de passe, utilisez les boutons ▼/▲ pour sélectionner une valeur, puis appuyez sur ENTER [Entrée].
4. Appuyez sur ENTER [Entrée].
5. Appuyez à plusieurs reprises sur ▼ pour accéder à Settings [Paramètres]. Appuyez sur ENTER [Entrée].
6. Appuyez sur ENTER [Entrée] pour sélectionner Reset Settings [Réinit. param.].
7. Appuyez sur ENTER [Entrée] pour sélectionner Execute [Exécuter].  
*Les paramètres par défaut de l'imprimante sont restaurés et l'imprimante est ensuite mise en ligne.*

# Paramètres de support d'impression

## *Important!*

*Assurez-vous que les paramètres de support sélectionnés correspondent au support utilisé.*

Des paramètres de support erronés :

- entraînent une impression de qualité médiocre;
- provoquent un écaillage;
- peuvent endommager l'imprimante.

## **Note :**

*Les paramètres du pilote d'imprimante ont préséance sur les paramètres des menus de l'imprimante.*

## **Paramètres par défaut**

Le paramètre par défaut de grammage du support pour le bac 1 et le bac MF est Light [Léger].

## **Modification du paramètres de support pour un seul travail d'impression**

Si vous effectuez un travail d'impression sur un support spécial, vous pouvez charger provisoirement le support dans un bac et modifier les paramètres de support de ce bac *dans le pilote d'imprimante*.

## **Paramètres des grammages**

<b>Param.</b>	<b>Grammage</b>
Light [Léger]	Bond US : 17 à 20 lb Index : 35 à 42 lb Métrique : 64 à 82 g/m <sup>2</sup>
Medium Light [Moyen léger]	Bond US : 22 à 24 lb Index : 46 à 50 lb Métrique : 83 à 90 g/m <sup>2</sup>
Medium [Moyen]	Bond US : 24 à 28 lb Index : 50 à 58 lb Métrique : 91 à 105 g/m <sup>2</sup>
Heavy [Lourd]	Bond US : 30 à 34 lb Index : 62 à 71 lb Métrique : 106 à 128 g/m <sup>2</sup>
Ultra Heavy [Très lourd]	Bond US : 36 à 54 lb Index : 75 à 113 lb Couverture : 50 à 75 lb Métrique : 129 à 203 g/m <sup>2</sup>
Ultra Heavy2 [Très lourd2]	Bond US : 54 à 58 lb Index : 113 à 141 lb Couverture : 75 à 80 lb Métrique : 204 à 220 g/m <sup>2</sup>

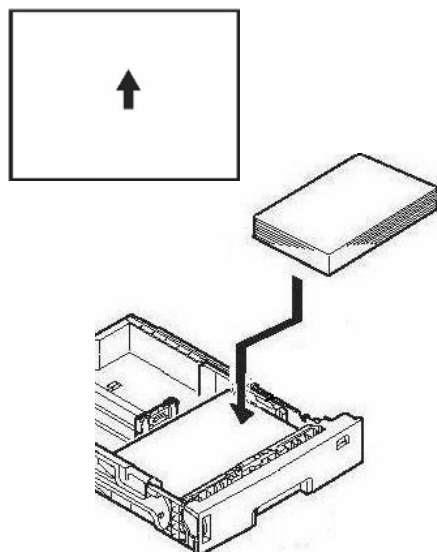
# Bac 1 et bacs 2 et 3 optionnels

## Supports pris en charge

### Spécifications des supports

<b>Grammages :</b>	<i>Bac 1</i> : Bond US de 17 à 32 lb (64 à 120 g/m <sup>2</sup> ) <i>Bacs 2, 3 optionnels</i> : Bond US de 17-47 lb (64-176 g/m <sup>2</sup> ) <b>Note</b> : Utilisez des grammages jusqu'à 105 g/m <sup>2</sup> pour l'impression recto verso.
<b>Formats :</b>	Lettre LEF*, Lettre SEF**, Tabloïde, Légal 14, Légal 13,5, Légal 13, Executive, A3, A4 LEF, A4 SEF, A5, B4, B5 LEF, B5 SEF. <i>Bac 1 uniquement</i> : A6.
<b>Formats personnalisés :</b> Doivent être définis dans le pilote d'imprimante avant l'impression; voyez le Guide de l'utilisateur en ligne.	<i>Impression recto</i> (sur un seul côté) Min. : 4,1 x 5,8 po (105 x 148 mm) Max. : 12,91 x 17 po (328 x 432 mm) <i>Impression recto verso</i> (sur les deux côtés) : Unité recto verso (duplex) de série sur les modèles C830dn et C830dtn, optionnelle sur le modèle C830n) : Min. : 5,8 x 7,16 po (148 x 182 mm) Max. : 11,7 x 16,5 po (297 x 420 mm)
<b>Capacité :</b>	<i>Bac 1</i> : 300 feuilles de 20 lb (75 g/m <sup>2</sup> ) <i>Bacs 2,3 optionnels</i> : 530 feuilles de 20 lb (75 g/m <sup>2</sup> )

\*LEF = alimentation côté long :



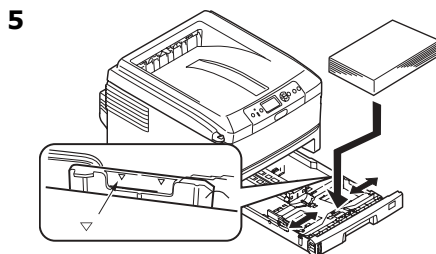
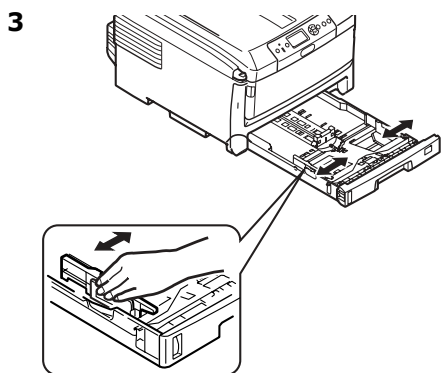
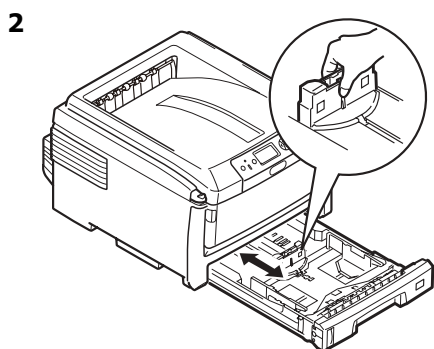
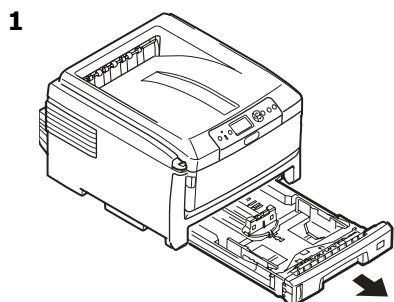
\*\*SEF = alimentation côté court :



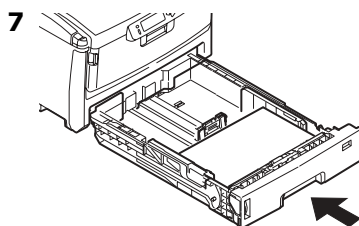
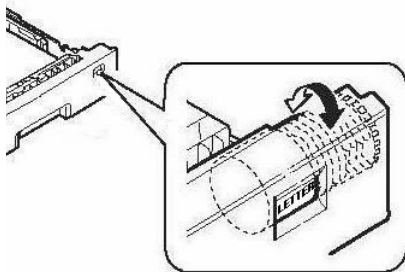


# Bac 1 et bacs 2 et 3 optionnels (suite)

## Chargement des supports d'impression



**6 Importante! Réglez le sélecteur de format de support sur le format de support utilisé.**



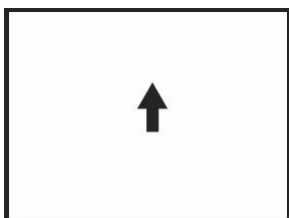
# Bac multifonction

## Supports pris en charge

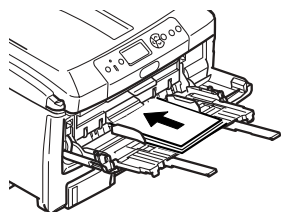
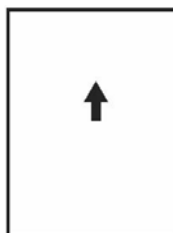
### Paramètres de support

<b>Grammages :</b>	<i>Bond US</i> de 17 à 58 lb Index : de 35 à 120 lb (64 à 220 g/m <sup>2</sup> ) Bannières : <i>Bond US</i> de 22 à 34 lb (83 à 128 g/m <sup>2</sup> )
<b>Formats :</b>	Lettre LEF*, Lettre SEF**, Légal 14, Légal 13,5, Légal 13, Tabloïde, Executive, A4 SEF, A4 LEF, A5, A6, B4, B5 SEF, B5 LEF, et enveloppes COM-10, DL, C4 et C5.
<b>Formats personnalisés :</b> Doivent être définis dans le pilote d'imprimante avant l'impression; voyez le Guide de l'utilisateur en ligne.	Min. : 32,5 x 4,1 po (64 x 105 mm) Max. : 11,69 x 17 po (297 x 432 mm). Défaut : Lettre LEF <i>Bannières</i> : 8,25 à 11,69 po (210 à 297 mm) de largeur, jusqu'à 17 à 52 po (432 mm à 1320 mm) de longueur. <i>Alimenter les bannières une à la fois.</i>
<b>Capacité :</b>	<ul style="list-style-type: none"><li>• 100 feuilles de 20 lb (75 g/m<sup>2</sup>)</li><li>• 10 enveloppes</li><li>• 20 étiquettes des feuilles</li><li>• Transparents : alimentation côté court, un à la fois</li><li>• Bannières : une à la fois</li></ul>

**\*LEF = alimentation côté long**  
:

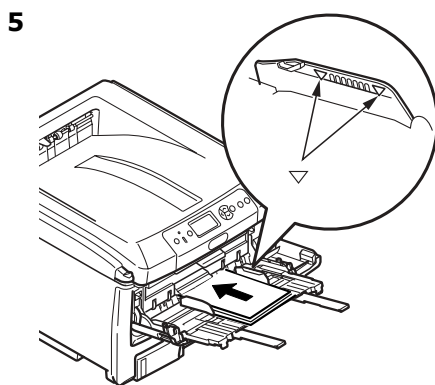
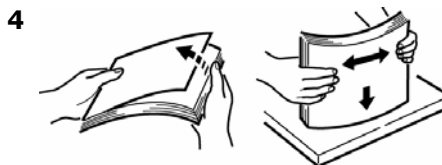
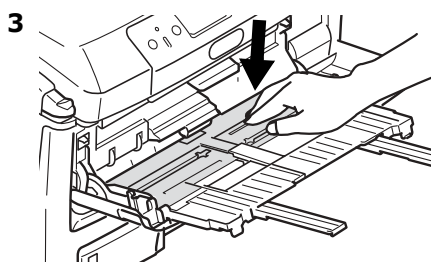
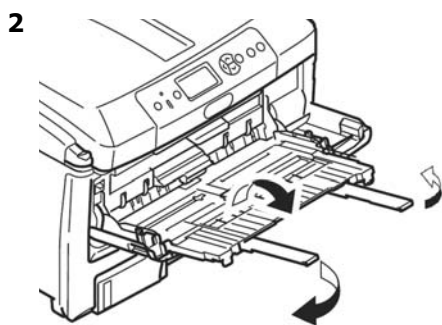
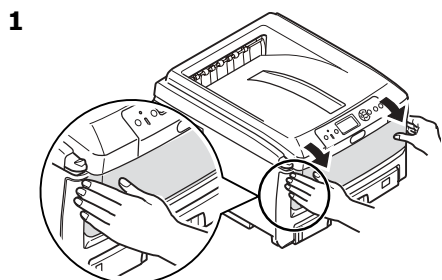


**\*\*SEF = alimentation côté court**  
:



# Bac multifonction (suite)

## Chargement des supports

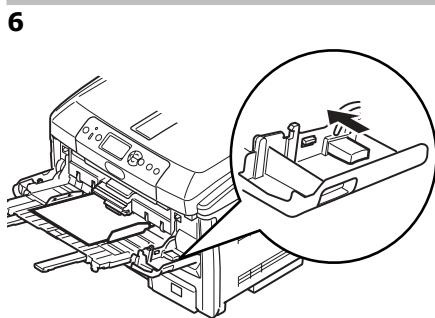


### Papier à en-tête

- Chargez la face d'impression **vers le haut**, le bord supérieur **dans** l'imprimante.

### Enveloppes

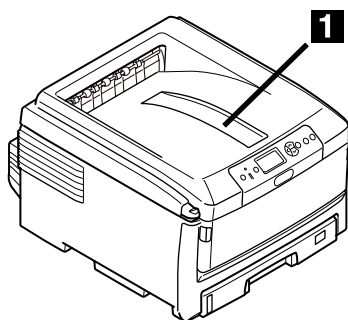
- Chargez la face d'impression **vers le haut** (volet vers le bas), le bord supérieur **dans** l'imprimante.



# Sortie des tirages

## Empileuse supérieure (face vers le bas)

Ce bac de sortie est celui normalement utilisé.



- Peut contenir du papier bond US jusqu'à 34 lb (128 g/m<sup>2</sup>).
- Peut contenir jusqu'à 250 feuilles de papier bond US de 20 lb (75 g/m<sup>2</sup>).
- Les tirages sont empilés face vers le bas.

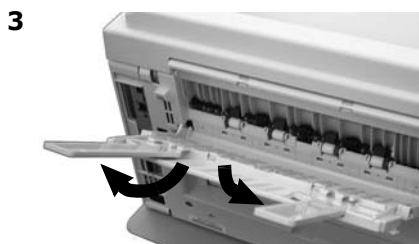
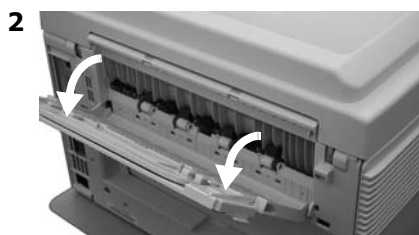
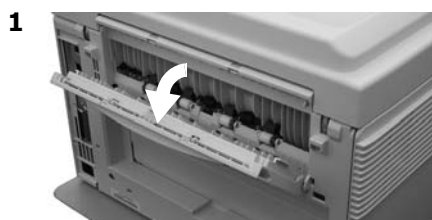
## Empileuse arrière (face vers le haut)

- Offre un chemin d'impression droit et direct pour les transparents, les enveloppes, les étiquettes et les supports épais.
- Peut contenir du papier bond US de 17 à 58 lb (64 à 220 g/m<sup>2</sup>).
- Peut contenir jusqu'à 100 feuilles de papier bond US de 20 lb (75 g/m<sup>2</sup>).
- Les tirages sont empilés face vers le haut (pour les documents comportant plusieurs pages, sélectionnez l'impression en ordre inversé dans la boîte de dialogue d'impression).

### Note :

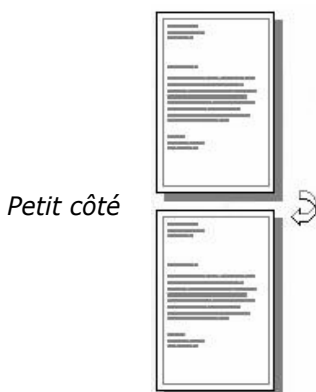
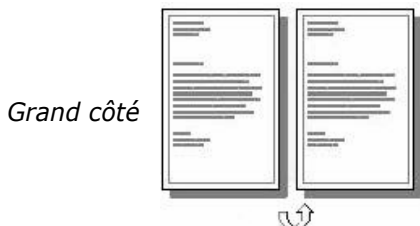
Si le plateau de l'empileuse arrière est ouvert, toutes les pages imprimées y sortiront, peu importe les paramètres sélectionnés dans le pilote d'imprimante.

### Ouverture du plateau de l'empileuse arrière



# Impression recto verso (sur les deux côtés d'une page)

## Grand côté c. petit côté



## Spécifications

### Grammage des supports

Bond US de 17 à 28 lb  
(64 à 105 g/m<sup>2</sup>).

### Note

Si le papier roule, utilisez du papier de 28 lb.

### Alimentation des supports

Bac 1, bac 2 (optionnel) ou bac MF.

### Sortie des supports

Empileuse supérieure ou empileuse arrière.

### Formats de support

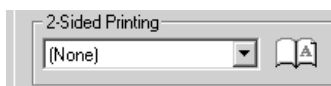
- **Standard** : Lettre, Légal 14, Légal 13,5, Légal 13, Tabloïde, Executive, A4, A4 LEF, A5 SEF, B4, B5 LEF.
- **Personnalisé** : Bac MF uniquement, 5,8 x 8 ¼ po (148 x 210 mm) min., 11,69 x 16,5 po (297 x 420 mm) max.

## Comment imprimer un fichier en utilisant l'unité recto verso (duplex)

Ouvrez le fichier à imprimer et cliquez sur *File* [Fichier] → *Print* [Imprimer]. Sélectionnez l'imprimante C830.

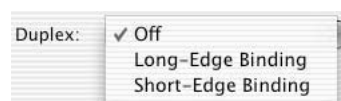
### Windows

1. Pour tous les systèmes sauf Windows 2000, cliquez sur *Properties* [Propriétés] ou *Preferences* [Préférences].
2. Dans l'onglet *Setup* [Configuration], sous *2 Sided Printing* [Impression recto verso], sélectionnez *Long Edge* [Côté long] ou *Short Edge* [Côté court].



### Macintosh

1. Sous *Presets* [Préréglages], sélectionnez *Duplex* [Recto verso].
2. Sous *Duplex* [Recto verso], sélectionnez *Long-Edge Binding* [Reliure côté long] ou *Short-Edge Binding* [Reliure côté court].



# Mode Économie d'énergie

Le mode Économie d'énergie permet de configurer le délai d'attente avant que le mode Veille soit activé sur l'imprimante. Cela permet d'économiser de l'énergie, mais l'imprimante requiert un délai de préchauffage lorsqu'elle reçoit un travail d'impression ou lorsque vous accédez aux menus et modifiez des paramètres.

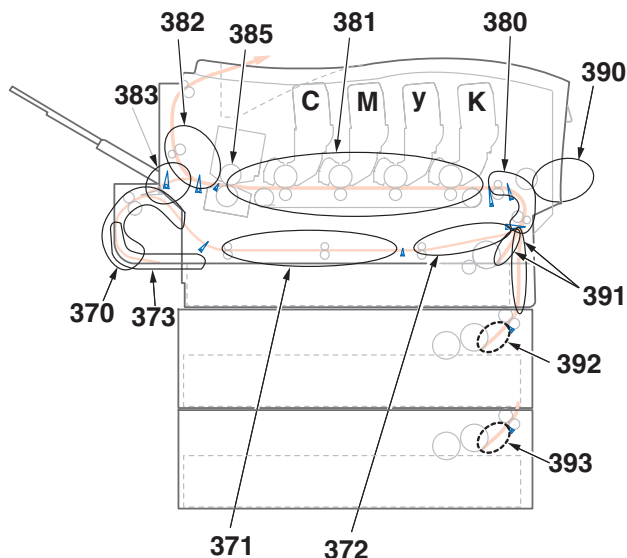
## Configuration du délai d'attente

1. Appuyez sur ENTER [Entrée].
2. Appuyez à plusieurs reprises sur ▼ pour accéder à Menus. Appuyez sur ENTER [Entrée].
3. Appuyez à plusieurs reprises sur ▼ pour accéder à System Adjust [Ajust. système]. Appuyez sur ENTER [Entrée].
4. Appuyez sur ENTER [Entrée] pour sélectionner Power Safe Time [Délai économie d'énergie].
5. Appuyez à plusieurs reprises sur ▼ ou ▲ pour mettre le délai en surbrillance (5, 15, 30, 60 [défaut] ou 240 minutes). Appuyez sur ENTER [Entrée].  
*Un astérisque (\*) s'affiche à côté du paramètre sélectionné.*
6. Appuyez sur ON LINE [En ligne] pour sauvegarder le paramètre et quitter le menu.

## Activation (ou désactivation) du mode Économie d'énergie

Seul l'administrateur système peut activer ou désactiver le mode Économie d'énergie. Pour plus de renseignements sur ce mode, consultez la rubrique *Menu Functions* [Fonctions des menus] du Guide de l'utilisateur en ligne sur le CD fourni avec l'imprimante.

# Suppression des bourrages



Si le message « Paper Jam » (Bourrage papier) s'affiche à l'écran, il s'est produit un bourrage de supports dans l'imprimante. En fonction de l'emplacement du bourrage, on peut y retrouver plusieurs feuilles dans l'imprimante.

*Si une feuille est retirée et qu'il reste d'autres feuilles dans l'imprimante, le message « Paper Jam » (Bourrage papier) s'effacera temporairement et s'affichera de nouveau.*

## Messages d'erreur de bourrage

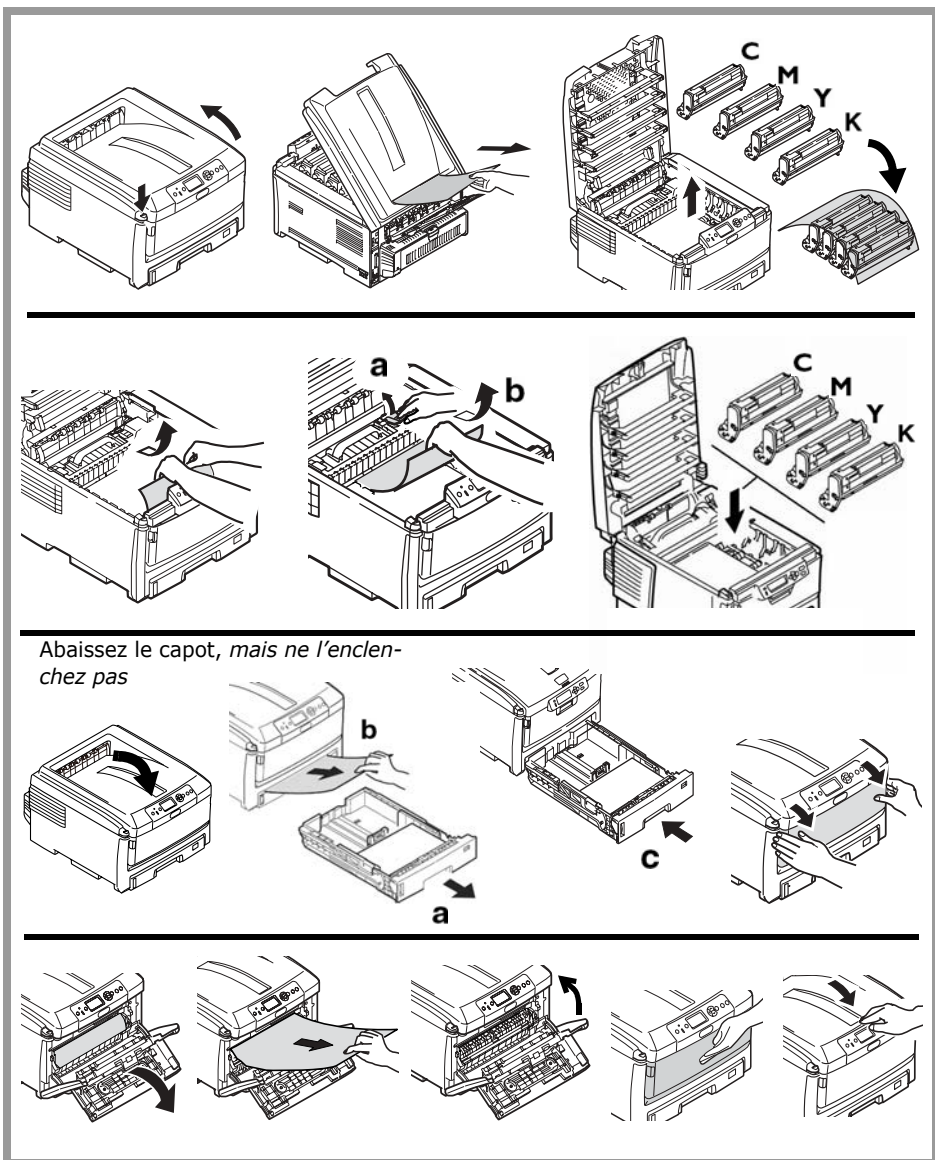
N° d'erreur	Emplacement	N° d'erreur	Emplacement
370	Inversion recto verso*	383	Entrée recto verso*
371	Entrée recto verso*	385	Unité de fusion
372	Alimentation erronée recto verso*	390	Bac MF
373	Alimentations multiples recto verso*	391	Bac à papier 1
380	Alimentation support	392	Bac à papier 2*
381	Circuit support	292	Bac à papier 3*
382	Sortie support		

\*. S'applique seulement si l'unité recto verso (duplex) est installée.

## Suppression des bourrages (suite)

Le tableau ci-dessous propose un sommaire du processus de base pour supprimer les bourrages.

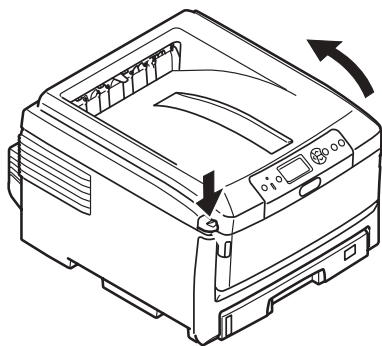
Pour plus de renseignements, consultez les pages qui suivent.





# Suppression des bourrages (suite)

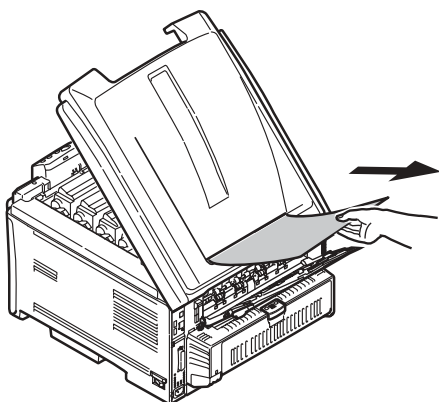
1. Ouvrez le capot supérieur.



2. Si une feuille est bien avancée dans l'empileuse supérieure de l'imprimante, il suffit de la saisir et de la tirer doucement pour l'extraire complètement.

**Note :**

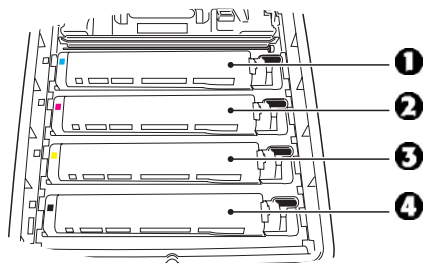
Si la feuille n'est pas bien avancée, elle sera retirée à l'étape 7.



**Attention!**

*L'unité de fusion peut être brûlante. Une étiquette est apposée sur cette partie. Ne la touchez pas.*

Notez l'emplacement des cartouches de toner couleur.



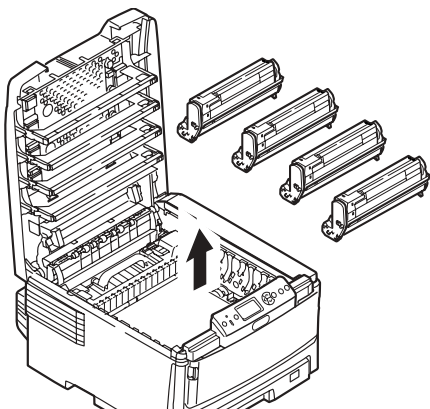
- 1 = Cyan
- 2 = Magenta
- 3 = Jaune
- 4 = Noir

**Attention!**

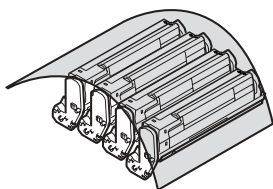
*Ne touchez pas la surface verte du tambour d'impression. N'exposez jamais le tambour d'impression à la lumière pendant plus de 5 minutes.*

## Suppression des bourrages (suite)

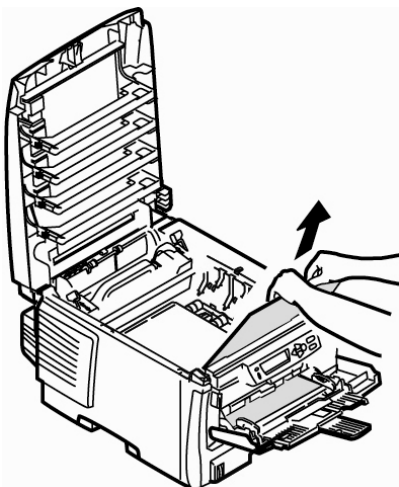
3. Retirez tous les tambours d'images/cartouches de toner et placez-les sur une surface plane.



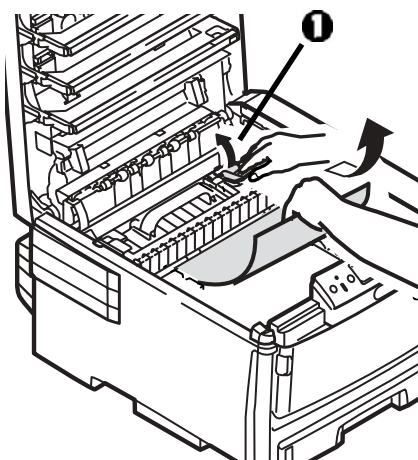
4. Couvrez-les pour les protéger contre la lumière.



5. Retirez délicatement toute feuille coincée.



6. Si une feuille est coincée dans l'unité de fusion, tirez vers l'avant le levier de déverrouillage de l'unité de fusion et sortez la feuille.



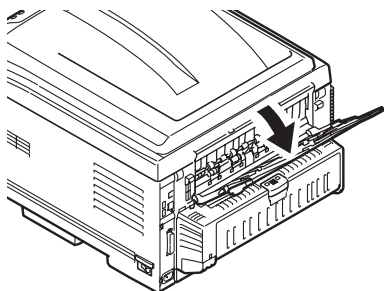
## Suppression des bourrages (suite)

7. Lorsque la feuille ne peut être retirée facilement :

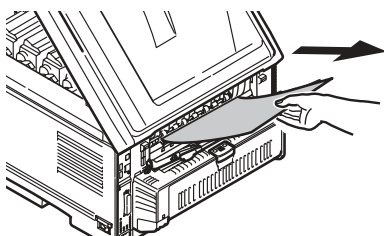
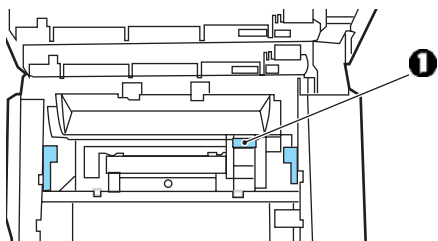
### Attention!

**L'unité de fusion peut être brûlante. Une étiquette est apposée sur cette partie. Ne la touchez pas.**

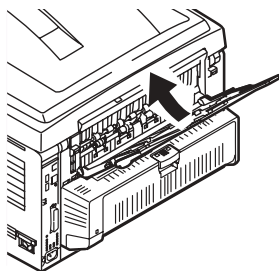
- a. S'il ce n'est pas déjà fait, abaissez le plateau de l'empileuse arrière



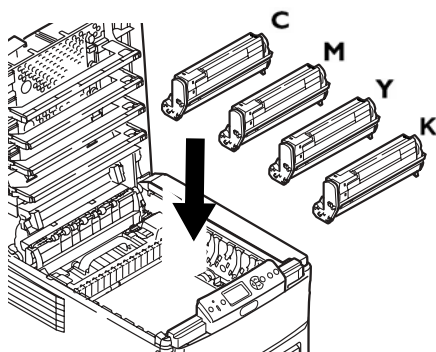
- b. Tirez le levier de déverrouillage de l'unité de fusion (1) et retirez la feuille par l'arrière.



- c. Si vous n'utilisez pas l'empileuse arrière, fermez le plateau.



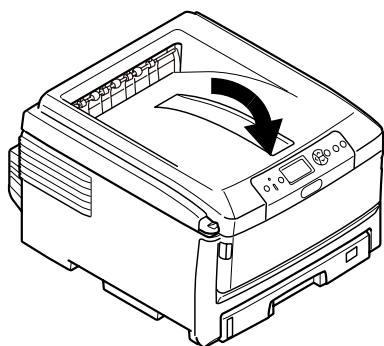
8. Réinstallez les quatre tambours d'image/cartouches de toner dans l'imprimante, en les plaçant dans la séquence appropriée.



- 1 = Cyan  
2 = Magenta  
3 = Jaune  
4 = Noir

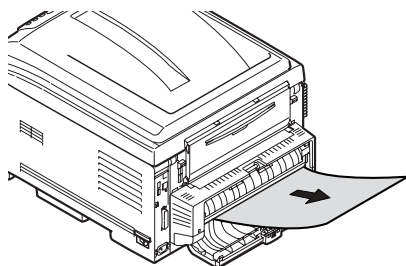
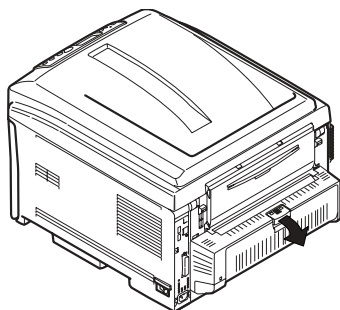
## Suppression des bouchages (suite)

9. Abaissez le capot de l'imprimante pour protéger les tambours d'image de la lumière, mais ne l'enclenchez pas.

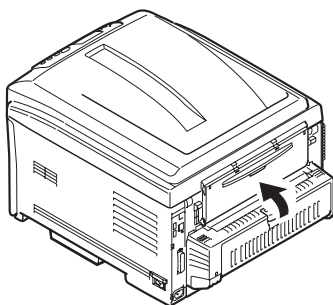


**Si votre imprimante est dotée de l'unité recto verso :**

Appuyez sur le bouton d'ouverture du capot de l'unité recto verso, puis ouvrez le capot. Retirez les feuilles s'y trouvant.

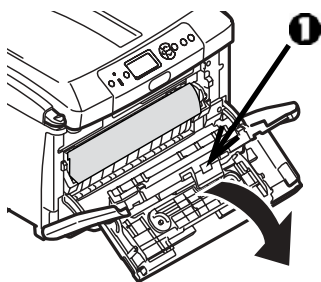
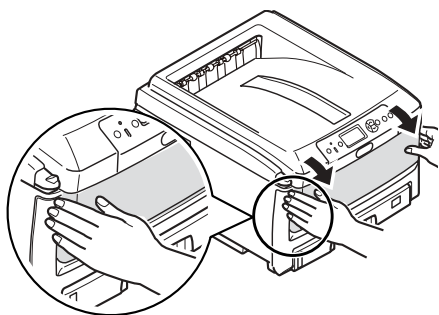


Fermez le capot.

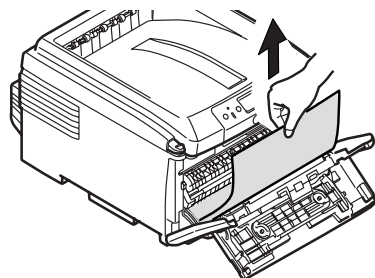
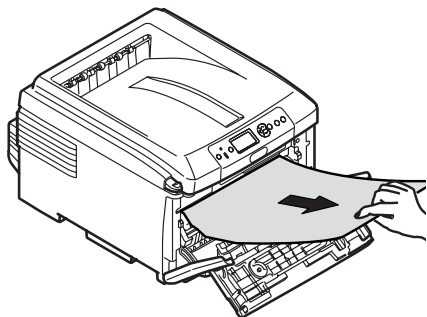


## Suppression des bouchages (suite)

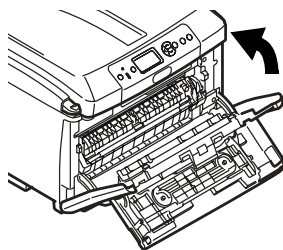
- 10.** S'il n'est pas déjà ouvert, abaissez le bac MF, levez le levier d'ouverture du capot intérieur (1), puis ouvrez le capot intérieur.



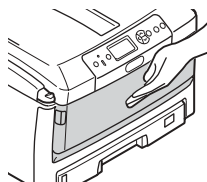
- 11.** Retirez toute feuille coincée.



- 12.** Fermez le capot avant intérieur.

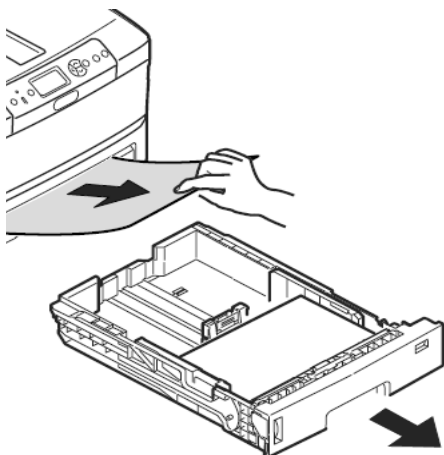


- 13.** Si vous ne l'utilisez pas, fermez le bac multifonction.

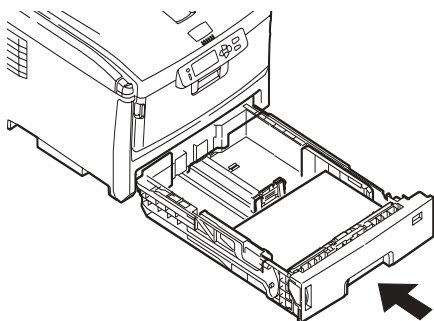


## Suppression des bourrages (suite)

14. Sortez le bac à papier et retirez toute page coincée à l'intérieur.

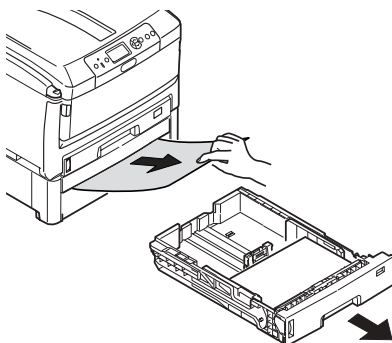


15. Fermez le bac à papier.

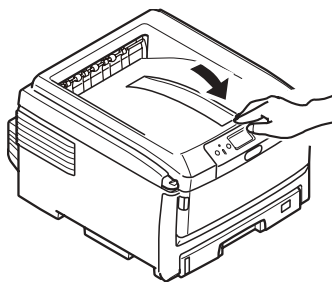


### Pour les imprimantes dotées de un ou plusieurs bacs à papier optionnels :

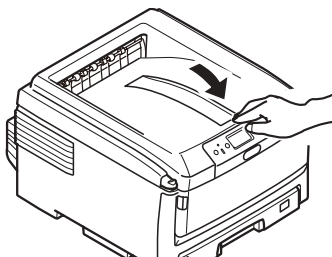
Sorte le bac optionnel et retirez toute feuille coincée.



Fermez le bac.



16. Fermez le capot et appuyez pour l'enclencher.



---

## Bouton Help [Aide]

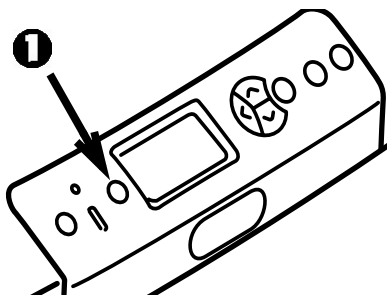
---

L'imprimante est dotée d'un système d'aide intégré.

Lorsque le message

Please see HELP for details  
[Consultez l'AIDE pour des  
détails]

s'affiche à l'écran, appuyez sur le bouton HELP [AIDE] (1).



Des renseignements s'afficheront à l'écran pour vous aider à résoudre le problème.

Utilisez la touche ▼ pour parcourir les renseignements d'aide.

Pour plus de renseignements, voyez le Guide de l'utilisateur en ligne sur le CD fourni avec l'imprimante

# Messages d'erreur

Voici les messages d'erreurs courants et ce que vous devez faire lorsqu'ils s'affichent.

Lorsque le message « Please see HELP for details » [Voyez l'AIDE pour des détails] s'affiche au bas de l'écran, appuyez sur le bouton HELP [AIDE] du panneau de commande pour obtenir de plus amples renseignements.

## Messages d'erreur concernant les cartouches de toner

Toner Sensor Error  
[Erreur de capteur toner]  
XXXX

Un problème s'est produit avec la cartouche de toner de couleur XXXX.

Ouvrez le capot.

Vérifiez que la cartouche de toner indiquée est bien installée sur le tambour et que le levier de verrouillage est poussé bien à fond vers l'arrière de l'imprimante. Fermez le capot.

Si cela n'entraîne pas l'effacement du message, communiquez avec votre centre de service local.

XXXX Toner Low [Toner XXXX bas]

S'affiche sur la deuxième ligne de l'écran pour indiquer que la vie utile du toner couleur XXXX est presque terminée. Assurez-vous d'avoir la cartouche de toner de remplacement Oki authentique requise sous la main (voyez la page 4).

### Note

Si vous avez réglé le paramètre Low Toner [Toner bas] sur Stop [Arrêter], le témoin Attention clignotera et vous devrez remplacer immédiatement la cartouche de toner ou appuyer sur le bouton ON LINE [EN LIGNE] pour poursuivre l'impression.

Non Genuine XXXX Toner  
[Pas toner XXXX authentique]

S'affiche sur la deuxième ligne de l'écran pour indiquer que la cartouche de toner de couleur XXXX n'est pas dotée de la puce RFI adéquate.

XXXX :

- 550 = Jaune
- 551 = Magenta
- 552 = Cyan
- 553 = Noir

Remplacez la cartouche de toner couleur indiquée par une cartouche de toner Oki authentique.



# Messages d'erreur

## Messages d'erreur concernant les tambours d'image

XXXX Image Drum Near Life  
[Tambour XXXX presque fin]

S'affiche sur la deuxième ligne de l'écran pour indiquer que la vie utile du tambour d'image XXXX est presque terminée. Assurez-vous d'avoir le tambour d'image de remplacement Oki authentique requis sous la main (voyez la page 4).

Install New Image Drum  
[Installer nouv. tambour]

Image Drum Life  
[Durée tambour]  
XXXX

Please see HELP for details  
[Voyez l'AIDE pour des détails]

Le tambour d'image couleur XXXX doit être remplacé.

XXXX :

- 350 ou 560 = Jaune
- 351 ou 561 = Magenta
- 352 ou 562 = Cyan
- 353 ou 563 = Noir

Remplacez le tambour à images indiqué. (Suivez les directives accompagnant le tambour d'image neuf.)

Check Image Drum [Vérifier tambour]  
XXXX

Please see HELP for details  
[Voyez l'AIDE pour des détails]

Indique que le tambour d'image XXXX n'est pas bien installé.

XXXX :

- 340 = Jaune
- 341 = Magenta
- 342 = Cyan
- 343 = Noir

# Messages d'erreur

## Messages d'erreur concernant la courroie et l'unité de fusion

ZZZZ Near Life [ZZZZ presque fin]

S'affiche sur la deuxième ligne de l'écran pour indiquer que la durée utile de l'élément ZZZZ (courroie ou unité de fusion) est presque terminée.

Assurez-vous d'avoir l'élément de remplacement Oki authentique requis sous la main (voyez la page 4).

Change ZZZZ Unit [Changer unité ZZZZ]

S'affiche sur la deuxième ligne de l'écran pour indiquer que la durée utile de l'élément ZZZZ (courroie ou unité de fusion) est terminée et qu'il doit être remplacé.

Install New ZZZ Unit  
[Installer unité ZZZ neuve]  
ZZZ Unit Life [Durée unité ZZZ]

Please see HELP for details  
[Voyez l'AIDE pour des détails]

Indique que l'élément ZZZ (courroie ou unité de fusion) doit être remplacé.

Check ZZZZ Unit [Vérifier unité ZZZZ]

Please see HELP for details  
[Voyez l'AIDE pour des détails]

Indique que l'élément ZZZ (courroie ou unité de fusion) n'est pas bien installé.

# Messages d'erreur

## Messages d'erreur concernant les bacs à papier

XXXX Empty [XXXX vide]

S'affiche sur la deuxième ligne de l'écran pour indiquer qu'il faut charger des supports dans le bac (XXXX) spécifié.

Install Paper [Charger papier]  
TrayX [Bac X]  
MMMM  
Press ONLINE Button  
[Appuyer sur EN LIGNE]

Un travail d'impression a été envoyé au bac X, mais le bac est vide.

Chargez le support MMMM requis, puis appuyez sur le bouton ON LINE [EN LIGNE].

Install Paper [Charger papier]  
MP Tray [Bac MF]  
XXXX  
Press ONLINE Button  
[Appuyer sur EN LIGNE]

Un travail d'impression a été envoyé au bac MF, mais le support requis n'est pas chargé dans le bac.

Chargez le support XXXX requis, puis appuyez sur le bouton ON LINE [EN LIGNE].

Change Paper in TrayX  
[Changer papier dans bac X]  
SSSS  
MMMM  
Press ONLINE Button  
[Appuyer sur EN LIGNE]  
Please see HELP for details  
[Voyez l'AIDE pour des détails]

Le support dans le bac sélectionné pour le travail d'impression ne correspond pas au support spécifié pour le travail d'impression.

Retirez le support du bac et remplacez-le par le format (SSSS) et le type de support (MMMM) demandés, puis appuyez sur le bouton ON LINE [EN LIGNE].

Change Paper in MPTray  
[Changer papier dans bac MF]  
SSSS  
MMMM  
Press ONLINE Button  
[Appuyer sur EN LIGNE]  
Please see HELP for details  
[Voyez l'AIDE pour des détails]

Le support dans le bac MF ne correspond pas au support spécifié pour le travail d'impression.

Retirez le support du bac MF et remplacez-le par le format (SSSS) et le type de support (MMMM) demandés, puis appuyez sur le bouton ON LINE [EN LIGNE].

# Messages d'erreur

## Messages d'erreur concernant les bacs à papier (suite)

Check Paper [Vérifier papier]  
Paper Size Error [Erreur format papier]  
TrayX [Bac X]

Please see HELP for details  
[Voyez l'AIDE pour des détails]

Un support de format inapproprié est chargé dans le bac indiqué.

Ouvrez le bac et supprimez tout support ayant mal été alimenté.

Chargez le support de format approprié dans le bac. Ouvrez et fermez le capot supérieur pour effacer l'erreur et poursuivre l'impression.

## Messages d'erreur concernant les bourrages

XXX  
Paper Jam [Incident papier]  
YYY

Please see HELP for details  
[Voyez l'AIDE pour des détails]

Paper Jam [Incident papier] s'affiche sur la deuxième ligne de l'écran lorsqu'un bourrage s'est produit dans l'imprimante.

Pour résoudre ce problème, voyez « Clearing Media Jams » à la page 16 ou appuyez sur le bouton HELP [AIDE] du panneau de commande de l'imprimante.

Check Paper [Vérifier papier]  
Paper Multi Feed [Alim. multiple]  
TrayX [Bac X]

Please see HELP for details  
[Voyez l'AIDE pour des détails]

Deux ou plusieurs pages collées ensemble ont été alimentées depuis le bac.

Ouvrez le bac et retirez toute page bloquée, puis ouvrez et fermez le capot supérieur pour effacer l'erreur et poursuivre l'impression.

# Messages d'erreur

## Messages d'erreur concernant les pages encore coincées

### Note

Ces messages ne s'affichent pas lorsque la procédure décrite dans la rubrique « Clearing Media Jams » commençant à la page 16 est observée pour supprimer les bourrages.

Open Cassette [Ouvrir bac]  
Paper Remain [Papier restant]  
TTTT

Please see HELP for details  
[Voyez l'AIDE pour des détails]

Des pages additionnelles sont bloquées dans le bac TTTT indiqué :

631 = Bac 1

632 = Bac 2 (optionnel)

633 = Bac 3 (optionnel)

Ouvrez le bac et retirez toute page bloquée.

Pour plus de renseignements, voyez « Clearing Media Jams » commençant à la page 16 ou appuyez sur le bouton *HELP* [AIDE] du panneau de commande de l'imprimante.

Cover Open [Capot ouvert]  
Paper Remain [Papier restant]  
Front Cover [Capot avant]

Please see HELP for details  
[Voyez l'AIDE pour des détails]

Des pages additionnelles sont bloquées à l'arrière du capot avant.

Pour plus de renseignements, voyez la page 22 ou appuyez sur le bouton *HELP* [AIDE] du panneau de commande de l'imprimante.

Cover Open [Capot ouvert]  
Paper Remain [Papier restant]  
Top Cover [Capot supérieur]

Please see HELP for details  
[Voyez l'AIDE pour des détails]

Des pages additionnelles sont bloquées dans la zone du capot supérieur. Codes d'erreur :

638 = Circuit de transport des supports

639 = Circuit de sortie des supports

640 = Circuit d'alimentation recto verso

Pour plus de renseignements, voyez « Clearing Media Jams » commençant à la page 16 ou appuyez sur le bouton *HELP* [AIDE] du panneau de commande de l'imprimante.

# Messages d'erreur

## Messages d'erreur concernant les pages encore coincées (suite)

Check Duplex Unit [Vérifier unité duplex]  
Paper Remain [Papier restant]

Please see HELP for details  
[Voyez l'AIDE pour des détails]

Des pages additionnelles sont bloquées dans l'unité recto verso (duplex). Codes d'erreur :

641 = Zone d'inversion de l'unité recto verso

642 = Circuit de transport de l'unité recto verso

Pour plus de renseignements, voyez la page 21 ou appuyez sur le bouton HELP [AIDE] du panneau de commande de l'imprimante.

## Messages d'erreur concernant les utilitaires CAPM [Gestionnaire des politiques d'accès aux couleurs] et Job Accounting

Les utilitaires CAPM et Job Accounting [Comptabilisation des travaux] permettent à l'administrateur système de définir des restrictions d'impression pour l'imprimante C830 mise en réseau. Si l'un de ces utilitaires est activé, des messages concernant les travaux d'impression provenant des utilisateurs peuvent s'afficher sur la deuxième ligne de l'écran en fonction des restrictions d'accès de ces utilisateurs.

Pour effacer un message, appuyez sur le bouton *ON LINE* [EN LIGNE].

Pour toute question, communiquez avec votre administrateur système.

Color Restricted. Mono Printed  
[Couleur restreinte. Tirage mono]

S'affiche sur la deuxième ligne de l'écran pour indiquer qu'un travail d'impression couleur envoyé à l'imprimante par un utilisateur non autorisé à imprimer en couleurs a été imprimé en monochrome.

Appuyez sur le bouton *ON LINE* [EN LIGNE] pour effacer le message.

Color Restricted. Job Rejected  
[Couleur restreinte. Travail refusé]

S'affiche sur la deuxième ligne de l'écran pour indiquer qu'un travail d'impression couleur envoyé à l'imprimante par un utilisateur non autorisé à imprimer en couleurs a été refusé car l'imprimante n'a pas été en mesure de l'imprimer en monochrome.

Appuyez sur le bouton *ON LINE* [EN LIGNE] pour effacer le message.

# Messages d'erreur

## Messages d'erreur concernant les utilitaires CAPM et Job Accounting (suite)

Print Restricted. Job Rejected  
[Impression restreinte. Travail refusé]

S'affiche sur la deuxième ligne de l'écran pour indiquer qu'un travail d'impression demandé par un utilisateur non autorisé à envoyer des travaux à l'imprimante a été refusé.

Appuyez sur le bouton ON LINE [EN LIGNE] pour effacer le message.

Log Buffer is Full. Job Rejected  
[Tampour journal plein. Travail refusé]

]

S'affiche sur la deuxième ligne de l'écran pour indiquer que le tampon du journal est saturé et que le travail d'impression a été refusé.

Appuyez sur le bouton ON LINE [EN LIGNE] pour effacer le message. Communiquez avec votre administrateur système.

## Messages d'erreur divers

Press ONLINE Button for Restoration  
[Appuyer sur EN LIGNE pour restaurer]  
Memory Overflo  
[Dépassement mémoire]

La taille du travail d'impression est supérieure au tampon de l'imprimante.

Réduisez la taille du fichier en cours d'impression (p. ex., imprimez le fichier en groupes séparés de pages au lieu de tout imprimer à la fois).

Si ce problème se produit souvent, installez de la mémoire supplémentaire (Oki N/P 70051701, 512 Mo) dans l'imprimante.

Remove Paper [Retirer papier]  
Face Down Stacker  
[Empileuse face vers le bas]

Please see HELP for details  
[Voyez l'AIDE pour des détails]

L'empileuse supérieure a atteint sa capacité. Vous devez retirer la pile se trouvant dans l'empileuse avant de poursuivre l'impression.

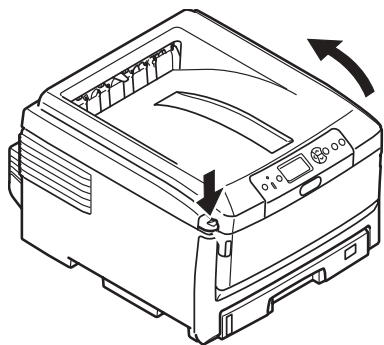
## Entretien

### Nettoyage des têtes d'impression à DEL

Nettoyez les têtes d'impression à DEL :

- chaque fois que vous remplacez une cartouche de toner (un nettoyant de lentille à DEL est inclus avec chaque cartouche de toner de remplacement);
- si l'impression présente des images estompées, des bandes blanches ou des caractères flous.

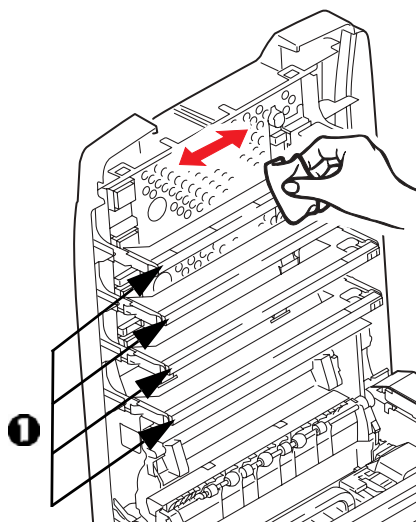
1. Ouvrez le capot supérieur.



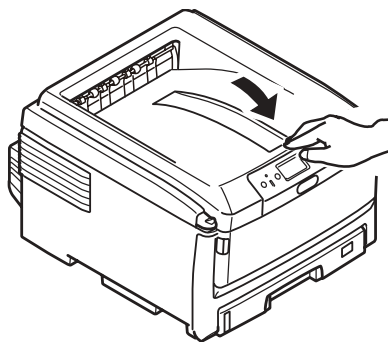
#### **Attention!**

***N'utilisez pas d'alcool méthylique ou d'autres solvants sur les têtes d'impression à DEL pour ne pas endommager la surface de la lentille.***

2. Utilisez le tampon de nettoyage pour lentille de DEL fourni avec les cartouches de toner ou un chiffon doux non pelucheux pour essuyer délicatement les quatre têtes (1). Déplacez le tampon tel que montré, en utilisant une section propre à chaque passage.



3. Fermez le capot supérieur.

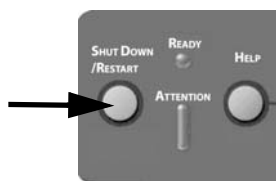




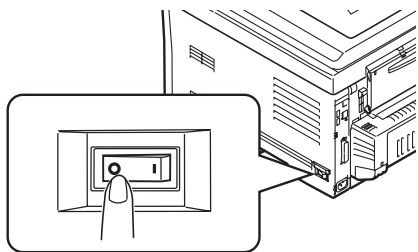
# Entretien (suite)

## Nettoyage des rouleaux d'alimentation du bac MF

1. Si le disque dur optionnel est installé dans l'imprimante, maintenez enfoncé le bouton *Shut Down Restart* (Arrêt/Redémarrage) du panneau de commande pendant 3 secondes et attendez que l'affichage confirme que vous pouvez éteindre l'imprimante en toute sécurité. Sinon, passez à la prochaine étape.

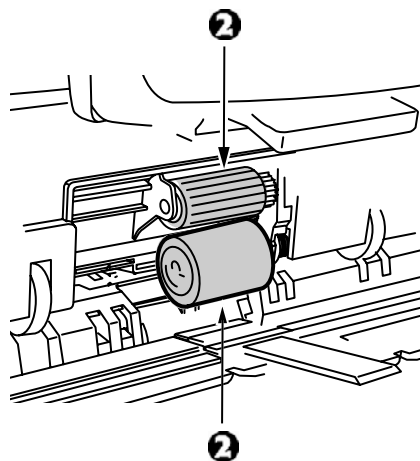
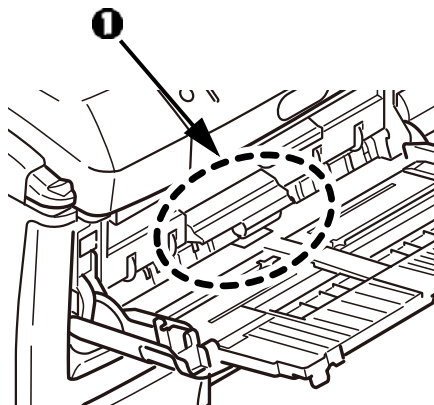


2. Éteignez l'imprimante.



3. Retirez tout support chargé dans le bac MF.

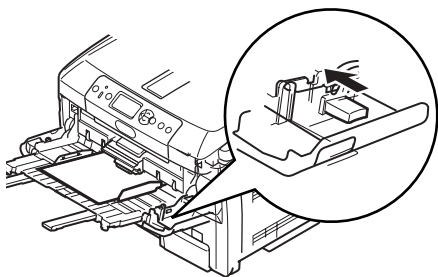
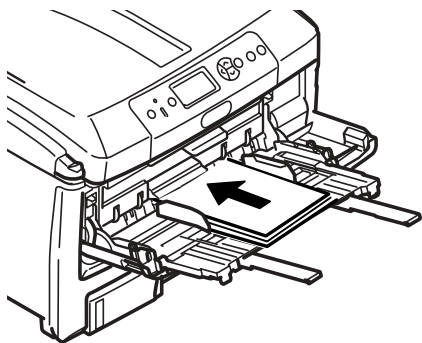
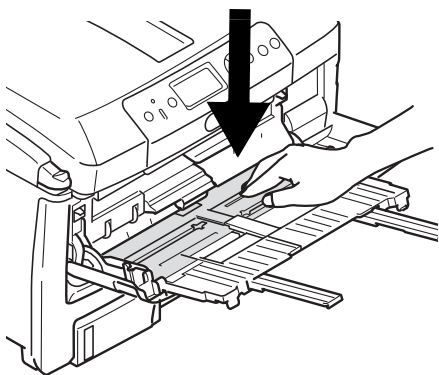
4. Levez le couvercle de rouleaux (1) et essuyez les deux rouleaux d'alimentation papier (2) avec un tissu doux légèrement imbibé d'eau.



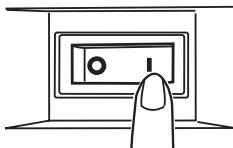
## Entretien (suite)

### Nettoyage des rouleaux d'alimentation du bac MF

5. Rechargez le support dans le bac MF.



6. Allumez l'imprimante.



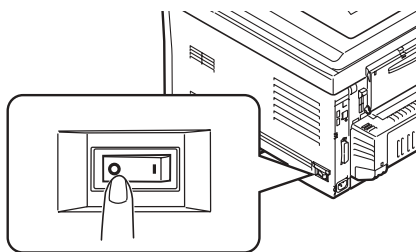
# Entretien (suite)

## Nettoyage des rouleaux d'alimentation du bac 1

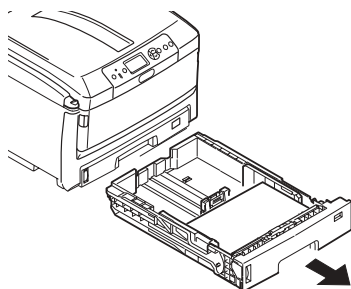
1. Si le disque dur optionnel est installé dans l'imprimante, maintenez enfoncé le bouton *Shut Down Restart* (Arrêt/Redémarrage) du panneau de commande pendant 3 secondes et attendez que l'affichage confirme que vous pouvez éteindre l'imprimante en toute sécurité. Sinon, passez à la prochaine étape.



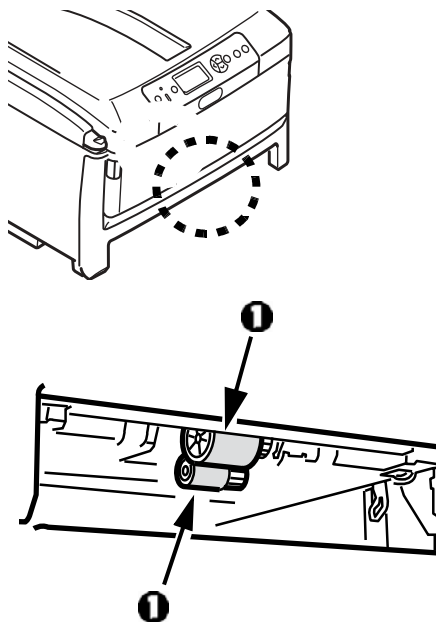
2. Éteignez l'imprimante.



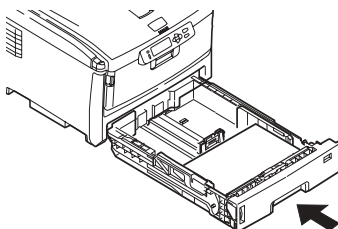
3. Retirez le bac 1 de l'imprimante.



4. Accédez par l'espace laissé par le bac 1 pour essayer les deux rouleaux d'alimentation papier (1) avec un tissu doux légèrement imbibé d'eau.



5. Remettez en place le bac 1.



6. Allumez l'imprimante.

---

## Entretien (suite)

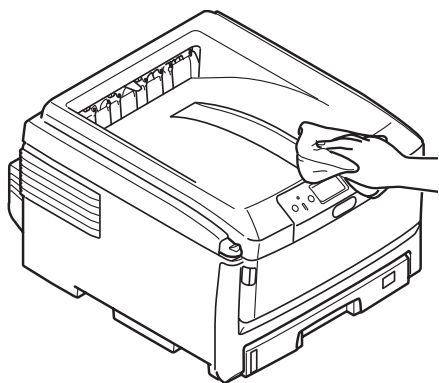
### Nettoyage de l'imprimante

---

*Importante!*

*N'utilisez jamais de solvants ou de détergents puissants sur le boîtier car ils pourraient l'endommager.*

Utilisez un chiffon doux et humide pour nettoyer le boîtier.



---

# Service et support

---

## D'abord...

consultez le revendeur où vous avez acheté l'imprimante.

## Ressources Oki supplémentaires

- Offertes 24 heures sur 24, 7 jours sur 7
- Visitez notre site Web multilingue : [WWW.OKIPRINTINGSOLUTIONS.COM](http://WWW.OKIPRINTINGSOLUTIONS.COM).
- Visitez [MY.OKIDATA.COM](http://MY.OKIDATA.COM) (Anglais uniquement) pour obtenir les plus récents renseignements sur
  - les pilotes et les utilitaires
  - le dépannage
  - les nouvelles sur les produits
  - et beaucoup plus encore!
- Composez le 1 800 654-3282.

---

Oki est une marque déposée de Oki Electric Industry Company, Ltd.

AmEx est une marque déposée de American Express Co.

MasterCard est une marque déposée de MasterCard International, Inc.

VISA est une marque déposée de Visa.

Windows est une marque de commerce ou une marque déposée de Microsoft Corporation aux États-Unis et dans d'autres pays.

# Cómo colocar sus pedidos de suministros

## Cómo hacer pedidos

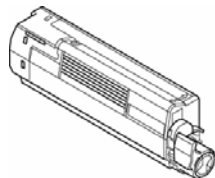
- Consulte el distribuidor donde compró su impresora.
- Consulte un Distribuidor autorizado o un Proveedor de Servicios de Oki Data. Para obtener información sobre el distribuidor más cercano, llame al 1-800-654-3282.
- Sólo en EE.UU., Puerto Rico, Guam, Islas Vírgenes (EE.UU.): Haga sus pedidos en la Internet en el sitio [WWW.OKIPRINTINGSOLUTIONS.COM](http://WWW.OKIPRINTINGSOLUTIONS.COM).
- Sólo EE.UU.: Haga sus pedidos por teléfono sin cargos al 1-800-654-3282, con su tarjeta VISA®, MasterCard®, o AMEX®.

## Números de repuestos

### Tóner

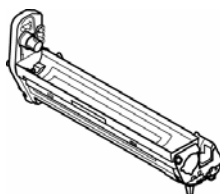
*¡Importante!*

*Sólo utilice cartuchos de tóner genuinos Oki.*



Tóner	No. de pieza
Negro	44059112
Cian	44059111
Magenta	44059110
Amarillo	44059109

## Cilindros



Cilindro	No. de pieza
Negro	44064016
Cian	44064015
Magenta	44064014
Amarillo	44064013

## Fusores y Correas de transporte

Ítem	No. de pieza
Fusor, 120V	43529404
Fusor, 230V	43529409
Correa de transporte	43449704

## Instalación

Estos repuestos vienen con las instrucciones para su instalación.

# Cómo utilizar el menú de la impresora

## Navegación

### Nota

Las configuraciones que se hagan en el controlador de la impresora tienen precedencia sobre las configuraciones del menú de la impresora.

### Cómo navegar por el menú



1. Pulse el botón ENTER para entrar en el modo Menu.



2. Pulse el botón ▼ o el botón ▲ varias veces para navegar por las categorías, ítems y valores.



3. Pulse el botón ENTER para seleccionar la categoría, ítem o valor que desea cambiar o para seleccionar un nuevo valor.

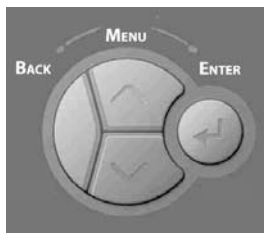


4. Haga clic en el botón Back para volver a un nivel anterior del menú.



5. Pulse el botón ON LINE para guardar la configuración y salir del modo Menu.

### Ejemplo



Si generalmente va a cargar tarjetas en la Bandeja multiuso, configure el menú de la impresora como sigue:

1. Presione ENTER.
2. Presione ▼ varias veces para navegar por el menú. Presione ENTER.
3. Presione ENTER para seleccionar Tray Configuration (Config. de bandejas).
4. Presione ▼ varias veces para encontrar MPTray Config. (Config. de bandeja multiuso). Presione ENTER.
5. Presione ▼ varias veces para encontrar Media Type (Tipo de medio). Presione ENTER.
6. Presione ▼ varias veces para encontrar Card Stock (Cartulina). Presione ENTER. Aparece un asterisco (\*) al lado de Card Stock (Cartulina).
7. Presione ON LINE para fijar el nuevo ajuste y salir del menú.

# Cómo utilizar el menú de la impresora

## Resumen del menú

### Resumen de las categorías de los menús

La lista siguiente presenta un resumen típico de los menús. Los ítems en los menús varían de acuerdo a las opciones que tenga instaladas en la impresora.

#### ► **Configuration Menu (Menú de configuración)**

Contiene información sobre la vida útil restante de los suministros (tóner, cilindros de imagen, etc.), información sobre la red y sobre el sistema en general.

#### ► **Print information menu (Menú de configuración de impresión)**

Para imprimir varios informes sobre la impresora, incluyendo informes de configuración y de la red, la página de demostración, lista de fuentes disponibles, etc.

#### ► **Menus Menu (Menú de Menús)**

Para configurar las distintas bandejas y los parámetros del sistema como el modo de ahorro de energía, tiempos de espera, recuperación de atascos, etc. También sirve para hacer vaciados hexadecimales o iniciar un ciclo de limpieza del cilindro.

#### ► **System Adjust Menu (Menú de Ajuste del Sistema)**

Configurar los parámetros de la red y de la impresora, de las emulaciones PS, PCL, IBM PPR y Epson FX, etc. Esta sección del menú generalmente está reservado para el Administrador del sistema y requiere una contraseña.

#### ► **Calibration Menu (Menú de calibración)**

Ajuste de densidad, ajuste preciso del registro e intensidad del color.

### Impresión del Informe de configuración

El informe de configuración suministra una lista de las configuraciones vigentes del menú de la impresora.

1. Presione ENTER.
2. Presione ▼ varias veces para encontrar Print Information (Menú de impresión). Presione ENTER.
3. Presione ENTER para seleccionar Configuration (Configuración).
4. Presione ENTER para seleccionar Execute (Ejecutar).

*Se imprime el Informe de configuración y la impresora se coloca en línea.*



# Cómo utilizar el menú de la impresora

## Cómo reiniciar los valores predeterminados

### Cómo reiniciar los valores predeterminados originales

**Nota:**

Para ello es necesario tener acceso a la sección de configuración del administrador utilizando una contraseña. Generalmente esta tarea la realiza el Administrador del sistema. Si no existe un Administrador, la contraseña por defecto es aaaaaa.

1. Presione ENTER.
2. Presione ▼ varias veces para encontrar Admin Setup (Config. del administrador). Presione ENTER.
3. Para seleccionar cada dígito de la contraseña, use los botones ▼/▲ para seleccionar un valor, luego pulse ENTER.
4. Presione ENTER.
5. Presione ▼ varias veces para encontrar Settings (Valores). Presione ENTER.
6. Presione ENTER para seleccionar Reset Settings (Reiniciar valores).
7. Presione ENTER para seleccionar Execute (Ejecutar).

*La impresora es reiniciada y vuelve a su estado en-línea.*

# Configuración de los medios de impresión

*¡Importante!*

*Asegúrese de que la configuración de los medios concuerda con el medio que está utilizando.*

Los valores de impresión equivocados pueden:

- producir una calidad de impresión inferior
- producir escamas en los impresos
- *dañar la impresora*

## Nota

*Los valores del controlador de la impresora tienen precedencia sobre los valores del menú de la impresora.*

## Configuración del peso predeterminado del medio

El peso predeterminado de los medios utilizados en las Bandejas 1 y multiuso es Light (Ligero).

## Cómo cambiar el peso del medio para una tarea de impresión en particular

Si va a imprimir en un medio especial, puede cargar el medio temporalmente en una bandeja y cambiar la configuración del medio de esa bandeja *en el controlador* cuando lo imprima.

## Configuración del peso del medio

Valor	Peso del medio
Light (Ligero)	US Bond: 17 a 20 lb. Índice: 35 a 42 lb. Métrico: 64 a 82 g/m <sup>2</sup> ).
Medium Light (Medio ligero)	US Bond: 22 a 24 lb. Índice: 46 a 50 lb. Métrico: 83 a 90 g/m <sup>2</sup>
Medium (Mediano)	US Bond: 24 a 28 lb. Índice: 50 a 58 lb. Métrico: 91 a 105 g/m <sup>2</sup>
Heavy (Pesado)	US Bond: 30 a 34 lb. Índice: 62 a 71 lb. Métrico: 106 a 128 g/m <sup>2</sup>
Ultra heavy (Ultrapeso)	US Bond: 36 a 54 lb. Índice: 75 a 113 lb. Portada: 50 a 75 lb. Métrico: 129 a 203 g/m <sup>2</sup>
Ultra Heavy2 (Ultrapeso2)	US Bond: 54 a 58 lb. Índice: 113 a 141 lb. Portada: 75 a 80 lb. Métrico: 204 a 220 g/m <sup>2</sup>

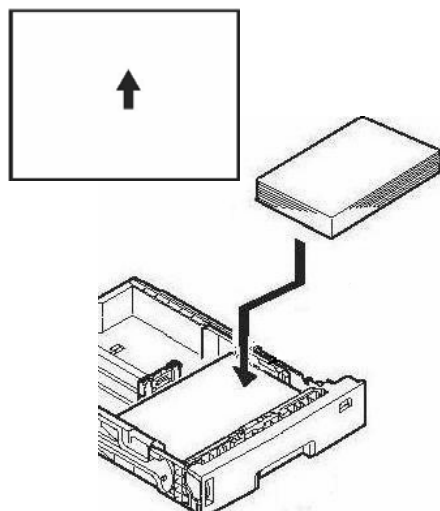
# Bandeja 1, y Bandejas 2 & 3 opcionales

## Medios de impresión utilizables

### Especificaciones de los medios

<b>Margen de peso:</b>	<i>Bandeja 1:</i> 17 a 32 lb. US Bond (64 a 120 g/m <sup>2</sup> ) <i>Band.s opcionales 2,3:</i> 17 a 47 lb. US Bond (64 a 176 g/m <sup>2</sup> ) <b>Nota:</b> Cuando imprime por ambos lados, el margen de peso tiene un límite de 105 g/m <sup>2</sup> .
<b>Tamaños estándar:</b>	Carta LEF*, Carta SEF**, Tabloide, Legal-14, Legal-13.5, Legal-13, Ejecutivo, A3, A4 LEF, A4 SEF, A5,B4, B5 LEF, B5 SEF. <i>Solo Bandeja 1:</i> A6.
<b>Tamaños personalizados:</b> Deben ser configurados en el controlador antes de imprimir: vea la Guía del Usuario en línea	<i>Impresión por un lado:</i> <ul style="list-style-type: none"> <li>• Min.: 4.1 x 5.8" (105 x 148 mm)</li> <li>• Máx.: 12.91" x 17" (328 x 432 mm)</li> </ul> <i>Impresión por ambos lados:</i> la unidad dúplex es estándar en los modelos C830dn y C830dtn, y es opcional en el modelo C830n): <ul style="list-style-type: none"> <li>• Min.: 5.8 x 7.16" (148 x 182 mm)</li> <li>• Máx.: 11.7 x 16.5" (297 x 420 mm)</li> </ul>
<b>Capacidad:</b>	<i>Bandeja 1:</i> 300 hojas de papel de 20-lb. (75 g/m <sup>2</sup> ) <i>Band. opcionales 2, 3:</i> 530 hojas de papel de 20-lb. (75 g/m <sup>2</sup> )

\* LEF = Alimentación por el borde largo:

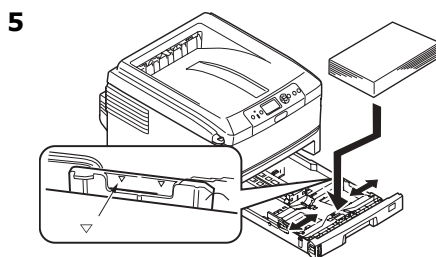
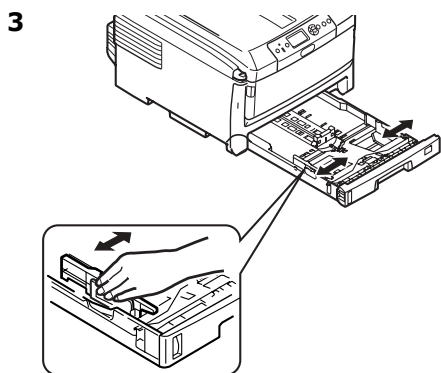
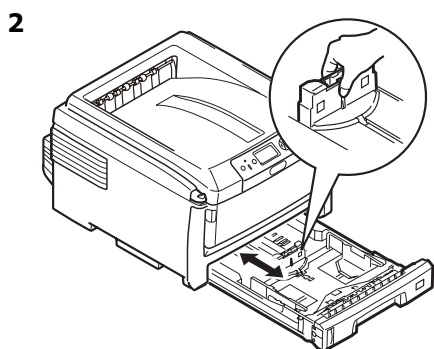
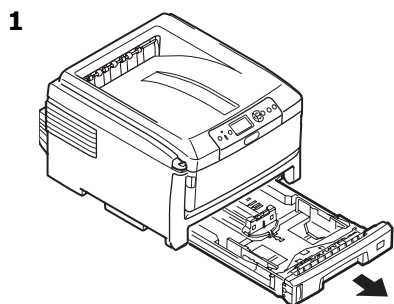


\*\* SEF = Alimentación por el borde corto:

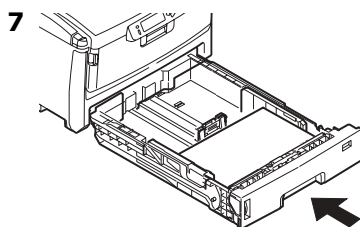
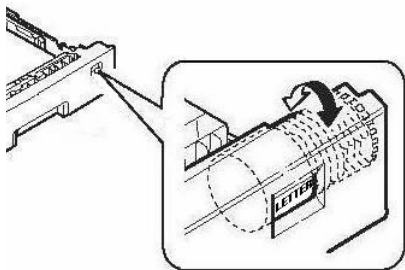


# Bandeja 1 y Bandejas 2 & 3 opcionales (cont.)

## Cómo cargar papel



**6 ¡Importante! Ajuste el selector del tamaño del papel de acuerdo al papel que va a utilizar.**



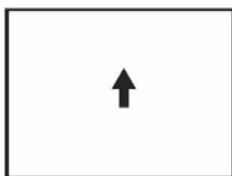
# Bandeja multiuso

## Medios de impresión utilizables

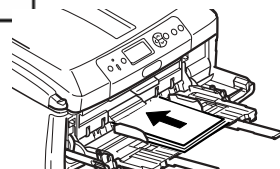
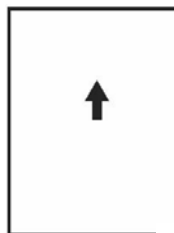
### Especificaciones de los medios

<b>Margen de peso:</b>	17 a 58 lb. US Bond (Índice, 35 a 120 lb.; Métrico, 64 a 220 g/m <sup>2</sup> ) Papel pancarta: 22 a 34 lb. US Bond (83 a 128 g/m <sup>2</sup> )
<b>Tamaños estándar:</b>	Carta LEF*, Carta SEF**, Legal-14, Legal-13.5, Legal-13, Tabloide, Ejecutivo, A3, A4 SEF, A4 LEF, A5, A6, B4, B5 SEF, B5 LEF, y sobres COM-10, DL, C4 y C5.
<b>Tamaños personalizados:</b> Deben ser configurados en el controlador antes de imprimir: vea la Guía del Usuario en línea	Min. 2.5" x 4.1" [64 x 105 mm] Máx. 11.69" x 17" [297 x 432 mm] Predeterminado = Carta (LEF). <i>Pancartas:</i> Ancho: 8.25" a 11.69" (210 a 297 mm); Largo: 17" a 52" (432 mm a 1320 mm). <i>Hay que introducir una hoja a la vez.</i>
<b>Capacidad:</b>	<ul style="list-style-type: none"> <li>• 100 hojas de papel de 20-lb. (75 g/m<sup>2</sup>)</li> <li>• 10 sobres</li> <li>• 20 hojas de etiquetas</li> <li>• Transparencias, alimentación por el borde corto, una por una</li> <li>• Pancartas, una por una</li> </ul>

\* LEF = Alimentación por el borde largo:

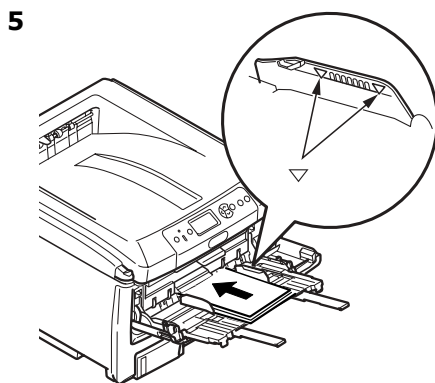
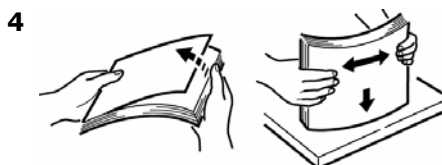
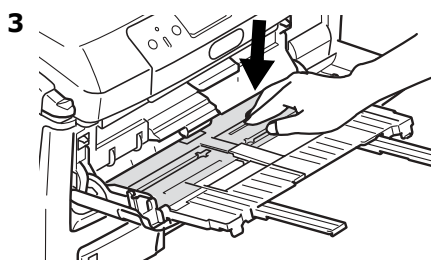
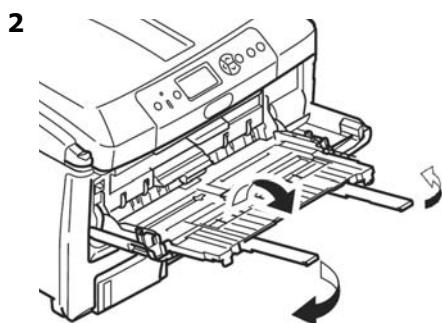
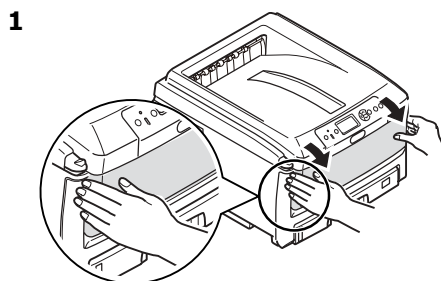


\*\* SEF = Alimentación por el borde corto:



# Bandeja Multiuso (cont.)

## Cargar el medio de impresión

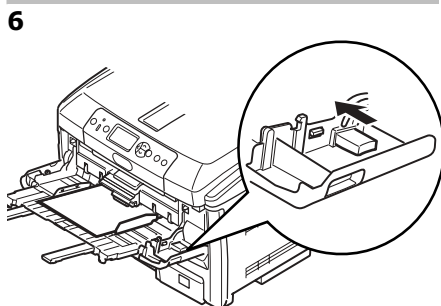


### Papel membrete:

- Cargar cara **arriba**, con el borde superior **en dirección** de la impresora.

### Sobres

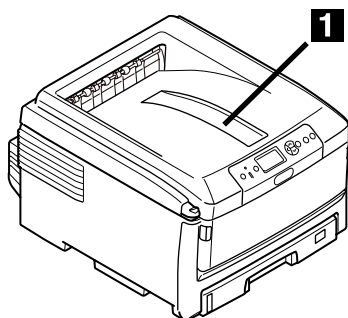
- Ca con la solapa hacia abajo y el borde superior en dirección de la impresora.



# Bandejas de salida

## Bandeja de salida superior (cara abajo)

Generalmente esta es la bandeja de salida que se utiliza.



- Para papel US Bond de hasta 34 lb. (128 g/m<sup>2</sup>).
- Capacidad de hasta 250 hojas de papel US Bond de 20-lb. (75 g/m<sup>2</sup>).
- Las hojas salen cara abajo.

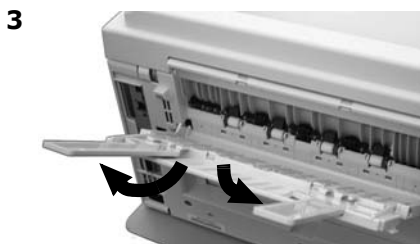
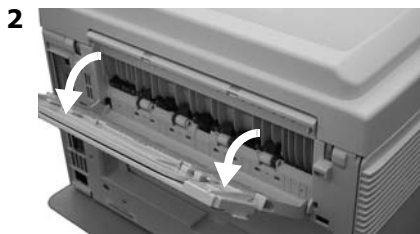
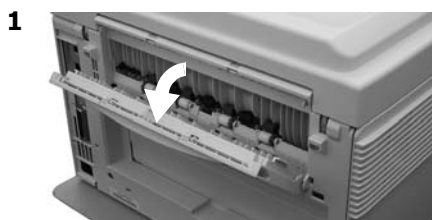
## Bandeja de salida posterior (cara abajo)

- Esta salida proporciona un trayecto recto que evita que se ondulen los medios como las transparencias, sobres, etiquetas y el papel pesado.
- Capacidad de papel US Bond de 17 a 58 lb. (64 a 220 g/m<sup>2</sup>).
- Capacidad de hasta 100 hojas de papel US Bond de 20-lb. (75 g/m<sup>2</sup>).
- El papel sale cara arriba (para documentos de varias páginas seleccione la impresión en orden inverso en el cuadro de diálogo de Imprimir de su aplicación).

## Nota

Si la bandeja posterior está abierta, las hojas saldrán por esta salida independientemente de la configuración del controlador de la impresora.

## Cómo abrir la bandeja de salida posterior



# Impresión duplex (Impresión por ambos lados del papel)

## Borde largo vs. Borde corto

*Borde largo*



*Borde corto*



## Especificaciones

*Gramaje del papel*

17 a 28 lb. US Bond (64 a 105 g/m<sup>2</sup>).

### Nota

Si el papel se ondula, utilice papel de 28 lb.

*Alimentación de papel*

Bandeja 1, Bandeja 2 o bandeja multiuso opcionales

*Salida del papel*

Bandeja de salida superior o  
Bandeja de salida posterior

*Tamaños de papel*

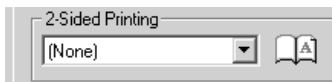
- **Estándar:** Carta, Legal-14, Legal-13.5, Legal-13, Tabloide, Ejecutivo, A3, A4 LEF, A5 SEF, B4, B5 LEF.
- **Personalizado:** Solo bandeja multiuso, mínimo 5.8" x 8¼" (148,5 x 182 mm), máximo 11.69 x 16.5" (297 x 420 mm).

## Cómo imprimir un documento con la unidad duplex

Abra el documento que desea imprimir y haga clic en File (Archivo) → Print (Imprimir). Seleccione su impresora C830.

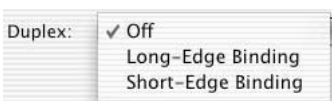
*Windows*

1. Bajo todas las versiones de Windows excepto 2000, haga clic en Propiedades o Preferencias. De lo contrario, siga al paso 2.
2. En la ficha Setup (Configuración) bajo 2-Sided Printing (Impresión por ambos lados), seleccione Long Edge (Borde largo) o Short Edge (Borde corto).



*Macintosh*

1. Bajo Presets (Predeterminados), seleccione 10.5Duplex (Impresión por ambos lados).
2. Bajo Duplex, seleccione Long-Edge Binding (Encuadernación por el borde largo) o Short-Edge Binding (Encuadernación por el borde corto).





# Modo de ahorro de energía

Esta característica controla el tiempo que le toma a la impresora pasar al modo en espera. Esto ahorra energía, pero la impresora necesitará tiempo para calentarse cuando recibe una tarea de impresión o cuando haya que hacer cambios al menú.

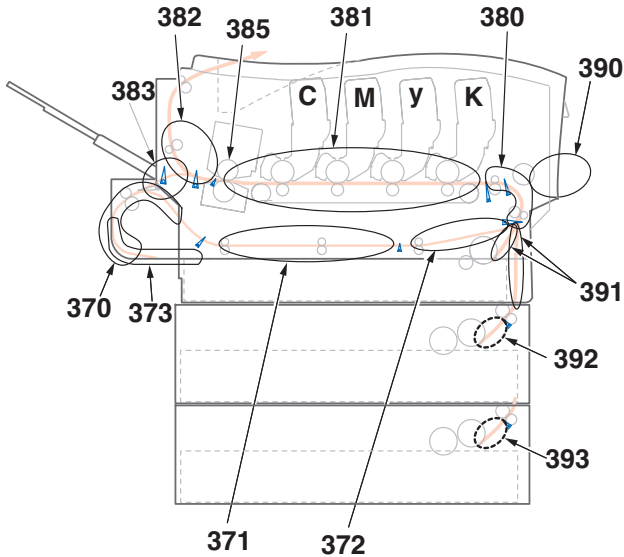
## Cómo configurar el intervalo de ahorro de energía

1. Presione ENTER.
2. Presione ▼ varias veces para encontrar Menus. Presione Enter.
3. Presione ▼ varias veces para encontrar System Adjust (Ajuste del sistema). Presione ENTER.
4. Presione ENTER para seleccionar Power Save Time (Hora de ahorro de energía).
5. Utilice los botones ▼ y ▲ para seleccionar la hora de ahorro de energía (5, 15, 30, 60 [predeterminado], o 240 minutos), y luego presione ENTER.  
*Aparece un asterisco (\*) al lado del nuevo valor.*
6. Presione On Line para fijar el nuevo valor y salir del menú.

## Deshabilitar o rehabilitar el Modo de ahorro de energía

Solo el Administrador del sistema puede deshabilitar o habilitar el Modo de ahorro de energía. Para mayor información vea la sección "Funciones de los menús" en la Guía del Usuario en línea en el CD que vino con su impresora.

# Solución de atascos



Cuando aparece el mensaje "Paper Jam" (Atasco de papel) en la segunda línea de la pantalla, hay papel atascado en la impresora. Dependiendo de donde está el medio atascado, puede haber más de una hoja atascada en la impresora.

*Si retira una hoja pero aún quedan más hojas atascadas en la impresora, el mensaje inicial desaparece temporalmente pero luego vuelve aparecer el mensaje "Paper Jam" (Atasco de papel).*

## Resumen de los mensajes de papel atascado

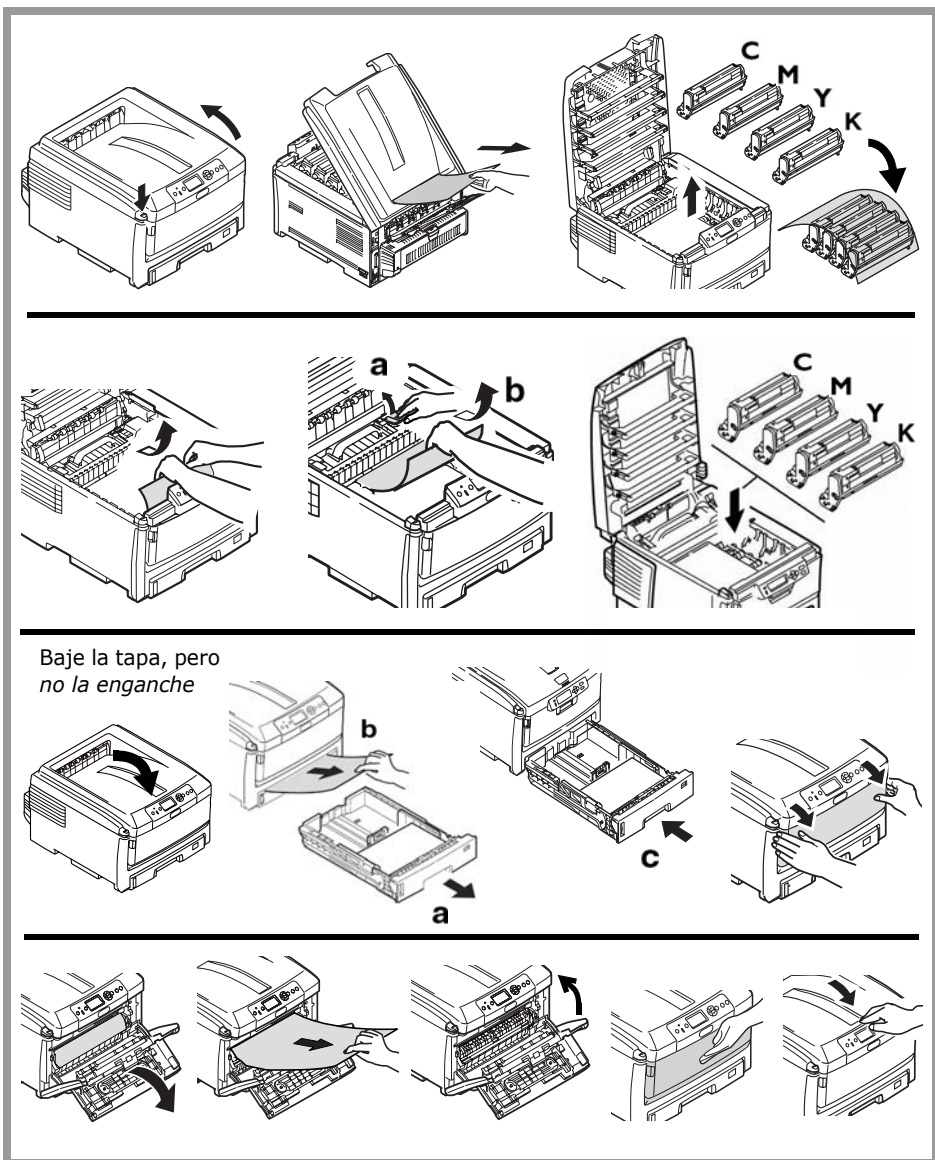
No. de error	Ubicación del atasco	No. de error	Ubicación del atasco
370	Cambio de rumbo del duplex <sup>1</sup>	383	Entrada del duplex*
371	Entrada del duplex*	385	Unidad de fusor
372	Falla alimen. del duplex*	390	Bandeja multiuso
373	Multi-alimen. del duplex*	391	Bandeja de Papel 1
380	Alimentación de papel	392	2 <sup>da</sup> Bandeja de papel*
381	Ruta del papel	393	3a. Bandeja de papel*
382	Salida del papel		

1. Sólo si tiene instalada esta unidad opcional

## Solución de atascos (cont.)

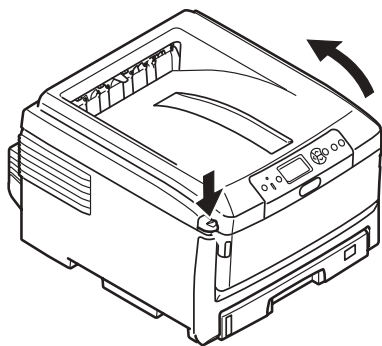
El cuadro muestra un resumen del proceso básico para resolver los atascos.

Para mayores detalles vea las páginas siguientes.



## Solución de atascos (cont.)

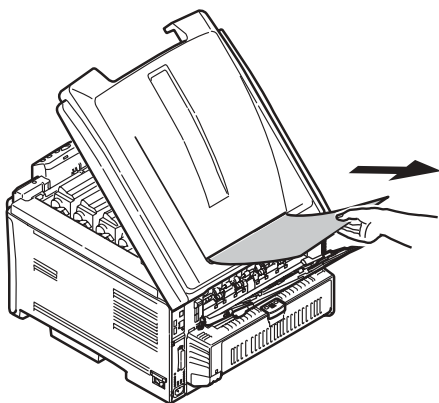
1. Abra la tapa superior.



2. Si la hoja atascada está casi totalmente fuera de la impresora, sáquela halando con cuidado.

### Nota

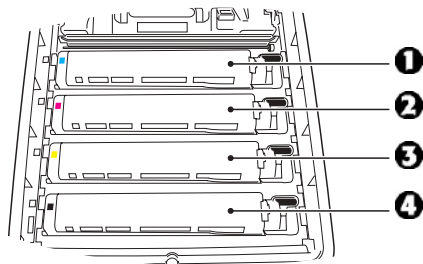
Si el papel no ha avanzado lo suficiente, se puede sacar en el paso 7.



### Precaución

**El fusor puede estar caliente. Tiene etiquetas visibles. No lo toque.**

Tome nota de la ubicación de los diferentes cartuchos de tóner a color.



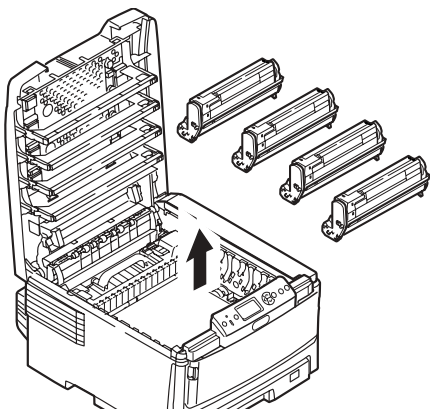
- 1 = Cian
- 2 = Magenta
- 3 = Amarillo
- 4 = Negro

### ***¡Precaución!***

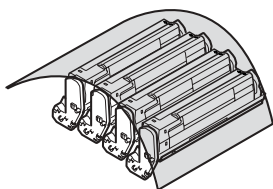
***No toque la superficie verde del cilindro ni lo exponga a la luz más de 5 minutos.***

## Solución de atascos (cont.)

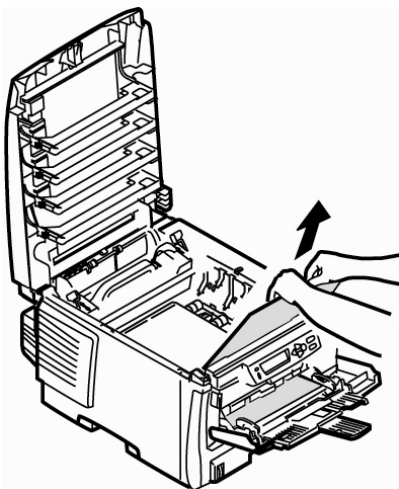
3. Saque todos los cartuchos de tóner/cilindros de imagen y colóquelos en una superficie plana.



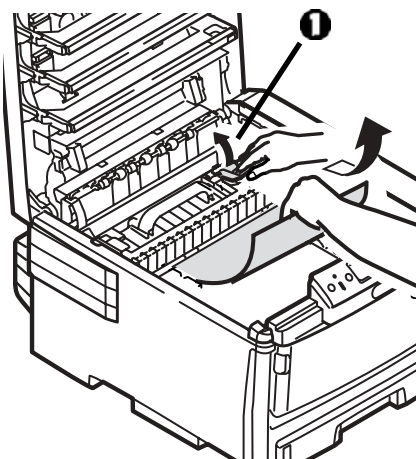
4. Cubralos para protegerlos de la luz.



5. Con cuidado, retire las hojas atascadas.



6. Si hay una hoja atascada en el fusor, hale la palanca de liberación del fusor (1) hacia adelante, luego retire la hoja.



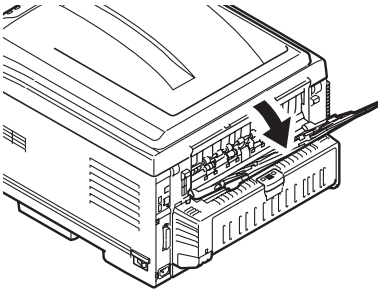
# Solución de atascos (cont.)

7. Si tiene dificultad para sacar la hoja atascada en el fusor:

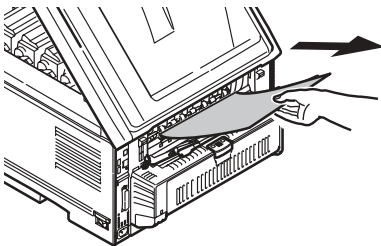
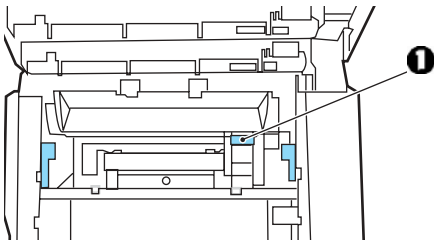
***¡Precaución!***

***El fusor puede estar caliente. Tiene etiquetas visibles. No lo toque.***

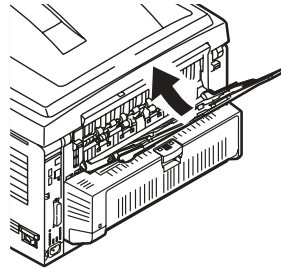
a. Si no está siendo utilizada, abra la bandeja de salida posterior.



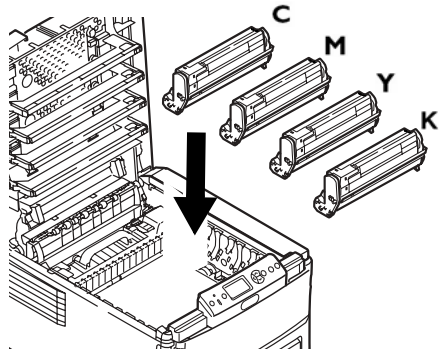
b. Empuje la palanca de liberación del fusor (1) y saque la hoja por la parte posterior.



c. Si no está usando la bandeja de salida posterior, ciérrala.



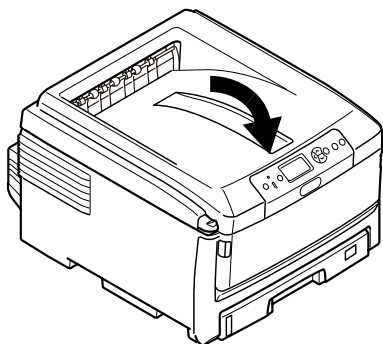
8. Vuelva a instalar los cartuchos de tóner y los cilindros, asegurándose de instalarlos en el orden correcto.



C = Cian  
M = Magenta  
Y = Amarillo  
K = Negro

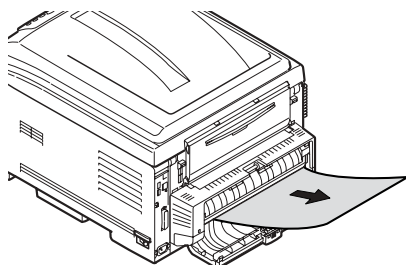
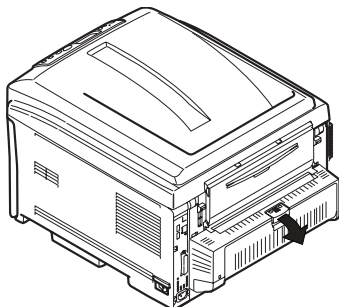
## Solución de atascos (cont.)

9. Baje la tapa de la impresora para proteger los cilindros de imagen de la luz, pero no la tranque.

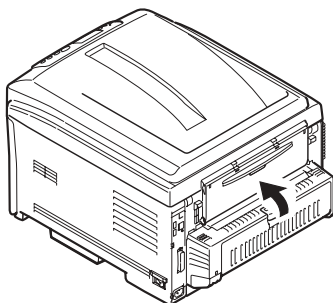


### Si tiene instalada la unidad duplex opcional:

Abra la tapa de la unidad duplex y saque las hojas atascadas.

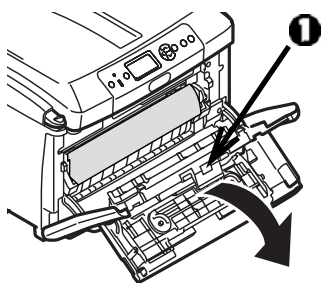
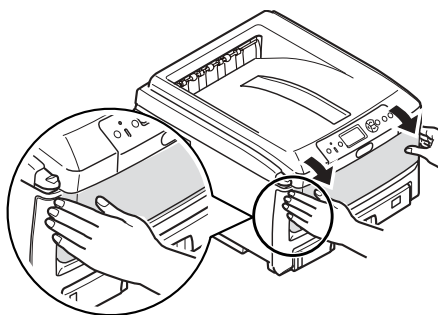


Cierre la tapa de la unidad dúplex.

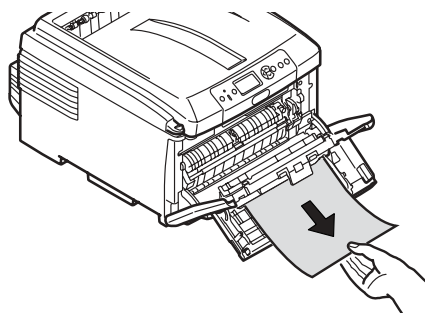
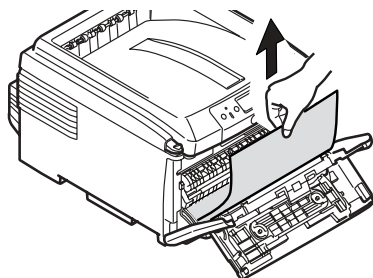
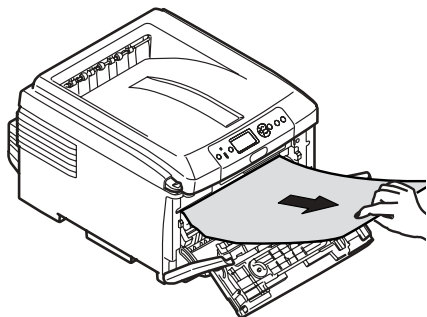


## Solución de atascos (cont.)

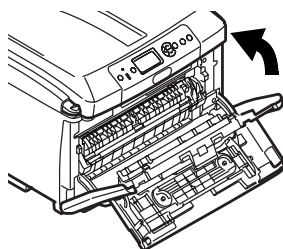
- 10.** Si no está abierta, abra la bandeja multiuso, luego levante la palanca de liberación interna (1) y abra la tapa interna.



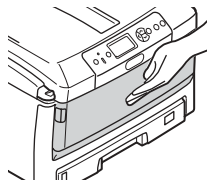
- 11.** Retire las hojas atascadas.



- 12.** Cierre la tapa delantera interna.



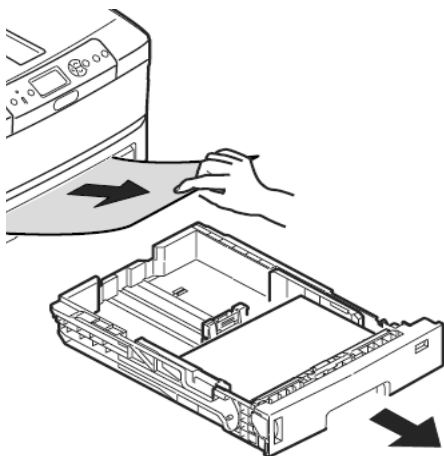
- 13.** Si no la está utilizando, cierre la bandeja multiuso.



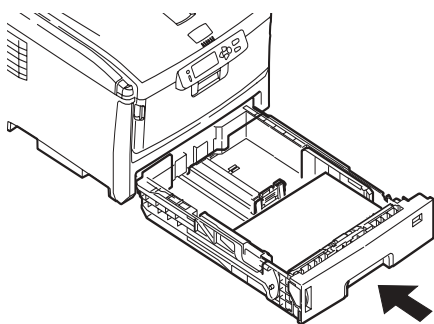


## Solución de atascos (cont.)

14. Saque las bandejas y retire el papel atascado.

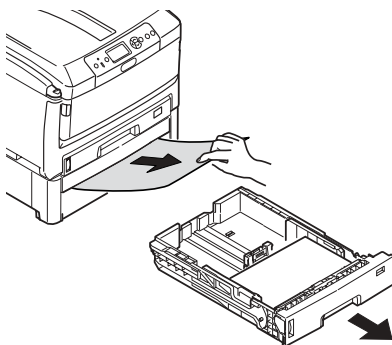


15. Cierre la bandeja.

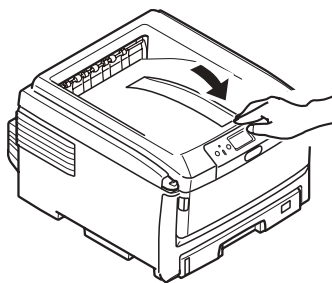


### En el caso de impresoras con bandejas de papel opcionales:

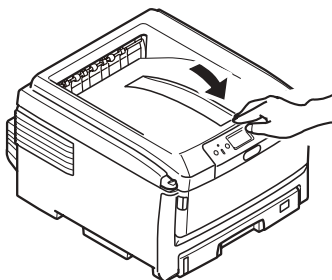
Saque las bandejas opcionales y retire el papel atascado.



Cierre la bandeja.



16. Baje la tapa de la impresora y presiónela para que cierre.



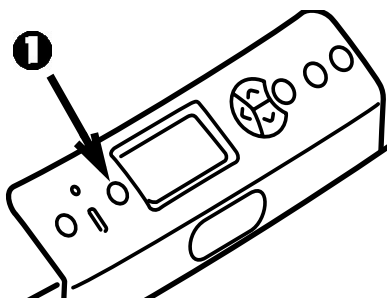
## El botón HELP (Ayuda)

La impresora cuenta con un sistema de ayuda interno.

Cuando vea el mensaje

**Please see HELP for details  
(Ver la Ayuda para más  
detalles)**

en la pantalla, pulse el botón HELP (1).



La pantalla muestra información sobre cómo solucionar el error.

Use el botón ▼ para navegar por la información de ayuda.

Para mayor información, vea la Guía del usuario en línea en el CD que vino con su impresora.

# Mensajes de error

Los siguientes son los mensajes de error más frecuentes y las posibles soluciones.

Cuando aparezca el mensaje "Please see HELP for details" (Ver la Ayuda para mayores detalles), presione el botón Help (Ayuda) del panel de control para obtener más información.

## Mensajes de error - Cartuchos de tóner

Toner Sensor Error [Error sensor tóner]  
XXXX

Hay un problema con el cartucho de tóner de color XXXX.

Abra la tapa de la impresora.

Verifique que el cartucho de tóner indicado está correctamente colocado en el cilindro y que la palanca de cierre está inclinada todo lo posible hacia la parte posterior de la impresora. Cierre la tapa.

Si el mensaje no desaparece, llame a su proveedor de servicio local.

XXXX Toner Low [Tóner bajo XXXX]

Aparece en la segunda línea de la pantalla para indicar que el tóner de color XXXX está llegando al final de su vida útil. Asegúrese de contar con el repuesto genuino de tóner Oki (ver página 4).

### Nota

Si seleccionó Stop (Detener) bajo Low Toner (Tóner bajo), el indicador ATTENTION centelleará y tendrá que cambiar el cartucho de tóner inmediatamente o presionar el botón ON LINE para continuar imprimiendo.

Non Genuine XXXX Toner  
[Tonér XXXX inválido]

Aparece en la segunda línea de la pantalla para indicar que el cartucho de color XXXX no cuenta con el chip RFI correcto.

XXXX:

- 550 = Amarillo
- 551 = Magenta
- 552 = Cian
- 553 = Negro

Reemplace el cartucho de tóner indicado con un cartucho genuino de tóner Oki.

# Mensajes de error

## Mensajes de error - Cilindros de imagen

XXXX Image Drum Near Life  
[Cilindro de imagen XXXX por terminar]

Aparece en la segunda línea de la pantalla para indicar que el cilindro de imagen de color XXXX está llegando al final de su vida útil. Asegúrese de contar con el repuesto del cilindro de imagen (ver página 4).

Install New Image Drum  
[Instalar nuevo cilindro de imagen]  
Image Drum Life  
[Vida útil del cilindro de imagen]  
XXXX

Please see HELP for details  
[Ver la Ayuda para más detalles]

El cilindro de imagen de color XXXX debe ser reemplazado.

XXXX:

- 350 ó 560 = Amarillo
- 351 ó 561 = Magenta
- 352 ó 562 = Cian
- 353 ó 563 = Negro

Reemplace el cilindro de imagen indicado. (Refiérase a las instrucciones que vienen con el nuevo cilindro de imagen.)

Check Image Drum  
[Verificar cilindro de imagen]  
XXXX

Please see HELP for details  
[Ver la Ayuda para más detalles]

Indica que el cilindro de imagen XXXX no está instalado correctamente.

XXXX:

- 340 = Amarillo
- 341 = Magenta
- 342 = Cian
- 343 = Negro

# Mensajes de error

## Mensajes de error - Correa y Fusor

ZZZZ Near Life [ZZZ por terminar]

Aparece en la segunda línea de la pantalla para indicar que el ítem ZZZZ (correa o fusor) está llegando al final de su vida útil.

Asegúrese de contar con el repuesto apropiado (ver página 4).

Change ZZZZ Unit  
[Cambiar unidad ZZZZ]

Aparece en la segunda línea de la pantalla para indicar que el ítem ZZZZ (correa o fusor) llegó al final de su vida útil y tiene que ser reemplazado.

Install New ZZZ Unit  
[Instalar nueva unidad ZZZZ]  
ZZZ Unit Life [Vida unidad ZZZZ]

Please see HELP for details  
[Ver la Ayuda para más detalles]

Indica que la unidad ZZZZ (correa o fusor) debe ser reemplazada.

Check ZZZZ Unit [Verificar unidad ZZZZ]

Please see HELP for details  
[Ver la Ayuda para más detalles]

Indica que el ítem ZZZZ (correa o fusor) no está instalado correctamente.

# Mensajes de error

## Mensajes de error - Bandejas de papel

XXXX Empty [XXXX vacía]

Aparece en la segunda línea de la pantalla para indicar que hay que cargar más medios en la bandeja indicada (XXXX).

Install Paper [Instalar papel]  
TrayX [Bandeja X]  
MMMM  
Press ONLINE Button  
[Pulsar botón ONLINE]

Se envió una tarea de impresión a la bandeja X, pero la bandeja está vacía.

Cargue el medio necesario (MMMM), y luego pulse el botón On line.

Install Paper [Instalar papel]  
MP Tray [Bandeja multiuso]  
XXXX  
Press ONLINE Button  
[Pulsar botón ONLINE]

Se envió una tarea de impresión a la bandeja multiuso pero la bandeja no contiene el medio de impresión apropiado.

Cargue el medio necesario (XXXX), y luego pulse el botón On line.

Change Paper in TrayX  
[Cambiar papel en BandejaX]  
SSSS  
MMMM  
Press ONLINE Button  
[Pulsar botón ONLINE]  
Please see HELP for details  
[Ver la Ayuda para más detalles]

La bandeja seleccionada para imprimir no contiene el medio de impresión especificado para la tarea.

Retire el medio de impresión de la bandeja y coloque el tamaño (SSSS) y tipo (MMMM) de medio necesario, luego presione el botón On line.

Change Paper in MPTray  
[Cambiar papel en Bandeja multiuso]  
SSSS  
MMMM  
Press ONLINE Button  
[Pulsar botón ONLINE]  
Please see HELP for details  
[Ver la Ayuda para más detalles]

La bandeja multiuso no contiene el tipo de medio necesario para la tarea de impresión.

Retire el medio de impresión de la bandeja multiuso y coloque el tamaño (SSSS) y tipo (MMMM) de medio necesario, luego presione el botón On line.

# Mensajes de error

## Mensajes de error - Bandejas de papel (cont.)

Check Paper [Verificar papel]  
Paper Size Error  
[Tamaño equivocado papel]  
TrayX [Bandeja X]

Please see HELP for details  
[Ver la Ayuda para más detalles]

La bandeja indicada contiene un medio de impresión de tamaño equivocado.

Abra la bandeja y verifique si hay un medio de impresión atascado y retírelo.

Coloque el medio de impresión del tamaño indicado en la bandeja.

Abra y cierre la tapa superior para borrar el mensaje y continuar imprimiendo.

## Mensajes de error - Atascos de papel.

XXX  
Paper Jam [Atasco de papel]  
YYY

Please see HELP for details  
[Ver la Ayuda para más detalles]

Cuando se atasca el papel aparece el mensaje "Paper Jam" (Atasco de papel) en la segunda línea de la pantalla.

Para solucionar el problema, vea "Clearing Media Jams" comenzando en la página 16 o pulse el botón HELP del panel de control de la impresora.

Check Paper [Verificar papel]  
Paper Multi Feed  
[Alimen. múltiple de papel]  
TrayX [Bandeja X]

Please see HELP for details  
[Ver la Ayuda para más detalles]

Dos o más hojas se alimentaron al mismo tiempo desde la bandeja.

Abra la bandeja y saque las hojas, luego abra y cierre la tapa superior para borrar el mensaje y continuar imprimiendo.

# Mensajes de error

## Mensajes de error - Más papel atascado

### Nota

Estos mensajes no deberían aparecer si siguió el procedimiento descrito bajo "Clearing Media Jams" empezando en la página 16 cuando ocurrió el atasco inicial.

Open Cassette [Abrir bandeja]  
Paper Remain [Más papel atascado]  
TTTT

Please see HELP for details  
[Ver la Ayuda para más detalles]

Hay más papel atascado en la bandeja TTTT:

631 = Bandeja 1

632 = Bandeja 2 (opcional)

633 = Bandeja 3 (opcional)

Saque la bandeja y retire el papel atascado.

Para mayor información, vea "Clearing Media Jams" comenzando en la página 16 o pulse el botón HELP del panel de control de la impresora.

Open Cover [Abrir tapa]  
Paper Remain [Más papel atascado]  
Front Cover [Tapa delantera]

Please see HELP for details  
[Ver la Ayuda para más detalles]

Hay más papel atascado detrás de la tapa delantera.

Para mayor información, vea 22 o pulse el botón HELP del panel de control de la impresora.

Open Cover [Abrir tapa]  
Paper Remain [Más papel atascado]  
Top Cover [Tapa superior]

Please see HELP for details  
[Ver la Ayuda para más detalles]

Hay más papel atascado alrededor de la tapa delantera. Códigos de error:

638 = ruta de transporte del papel

639 = ruta de salida del papel

640 = ruta de entrada de la unidad duplex

Para mayor información, vea "Clearing Media Jams" comenzando en la página 16 o pulse el botón HELP del panel de control de la impresora.



# Mensajes de error

## Mensajes de error - Más papel atascado (cont.)

Check Duplex Unit  
[Verificar unidad duplex]  
Paper Remain [Más papel atascado]

Please see HELP for details  
[Ver la Ayuda para más detalles]

Hay más papel atascado en la unidad duplex. Códigos de error:

641 = área de cambio de rumbo de la unidad duplex

642 = ruta de transporte de la unidad duplex

Para mayor información, vea 21 o pulse el botón HELP del panel de control.

## Mensajes de error - CAPM (Restricción de la impresión a color) y Contabilidad de tareas

Las utilidades CAPM y Contabilidad de tareas le permiten al Administrador del sistema restringir el modo de impresión de una impresora C830 conectada a la red. Si el Administrador activó alguna restricción, puede que aparezca uno de los siguientes mensajes con respecto a las tareas de impresión enviadas por uno de los usuarios.

Para borrar el mensaje, presione el botón On line.

Si tiene alguna pregunta, comuníquese con su Administrador de Sistemas.

Color Restricted. Mono Printed  
[Restricción de color. Se imprimió en mono.]

Aparece en la segunda línea de la pantalla para indicar que la tarea que envió un usuario que no tiene permiso para imprimir a color se imprimió en monocromo.

Pulse el botón ONLINE para despejar el mensaje.

Color Restricted. Job Rejected  
[Restricción de color. Tarea rechazada.]

Aparece en la segunda línea de la pantalla para indicar que la tarea que envió un usuario que no tiene permiso para imprimir a color no se imprimió porque la impresora no la pudo imprimir en monocromo.

Pulse el botón ONLINE para despejar el mensaje.

# Mensajes de error

## Mensajes de error - CAPM y Contabilidad de tareas (cont.)

Print Restricted. Job Rejected [Restricción  
de impresión. Tarea rechazada.]

Aparece en la segunda línea de la pantalla para indicar que la tarea (enviada por un usuario que no tiene permiso para imprimir) fue rechazada.

Pulse el botón ONLINE para despejar el mensaje.

Log Buffer is Full. Job Rejected  
[Memoria de registro llena. Tarea  
rechazada.]

Aparece en la segunda línea de la pantalla e indica que la memoria de registros está llena y por tanto la tarea fue rechazada.

Para borrar el mensaje, presione el botón On line. Comuníquese con el Administrador de Sistemas.

## Mensajes de error misceláneos

Press ONLINE Button for Restoration  
[Pulsar Online para reiniciar]  
Memory Overflow [Desborde de memoria]

La tarea de impresión excede la capacidad de memoria de la impresora.

Reduzca el tamaño del archivo que está imprimiendo (por ej., imprima el archivo como grupos de páginas separados en lugar de todas las páginas a la vez).

Si sucede con frecuencia se recomienda que instale memoria adicional (Oki P/N 70051701, 512 MB) en la impresora.

Remove Paper [Retirar papel]  
Face Down Stacker  
[Apiladora Cara Abajo]

Please see HELP for details  
[Ver la Ayuda para más detalles]

La bandeja de salida superior está llena. Debe retirar la pila de impresos de la bandeja para poder continuar imprimiendo.

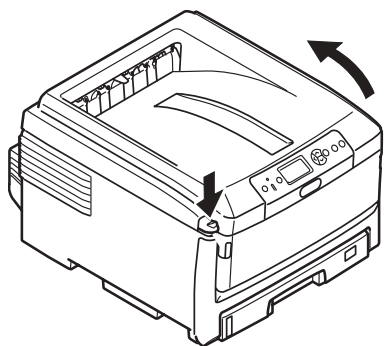
# Mantenimiento

## Limpieza de los cabezales LED

Limpie los cabezales LED:

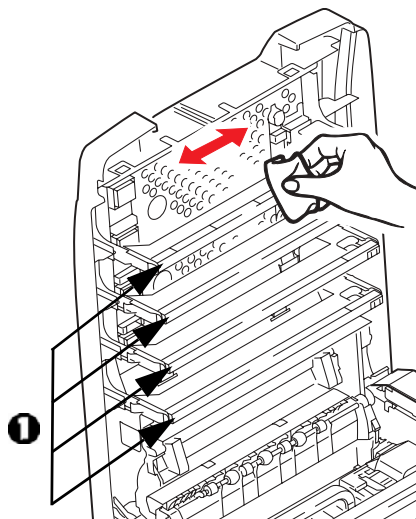
- cada vez que reemplace un cartucho de tóner (los cartuchos de tóner nuevos traen un limpiador de lentes LED)
- si los impresos contienen imágenes desgastadas, barras blancas o letras borrosas

1. Abra la tapa superior.

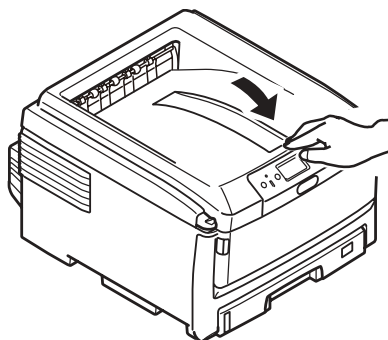


***¡Precaución!***  
***No utilice alcohol metilado u otros solventes para limpiar el cabezal LED ya que estos solventes dañan la superficie de los lentes.***

2. Utilice el limpiador de LED que viene con los cartuchos de tóner o un paño suave sin pelusas para limpiar los cuatro cabezales (1). Mueva el paño como se indica, utilizando una sección limpia del paño con cada pasada.



3. Cierre la tapa superior.



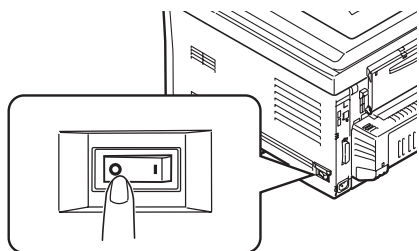
## Mantenimiento (cont.)

### Limpieza de los rodillos de alim. de la band. MU

1. Si la impresora tiene instalado un disco duro, pulse y sostenga el botón Shutdown/Reset (Apagar/Reiniciar) del panel de control durante 3 segundos y espere a que aparezca el mensaje que indica que puede apagar la impresora. De lo contrario proceda con el siguiente paso.

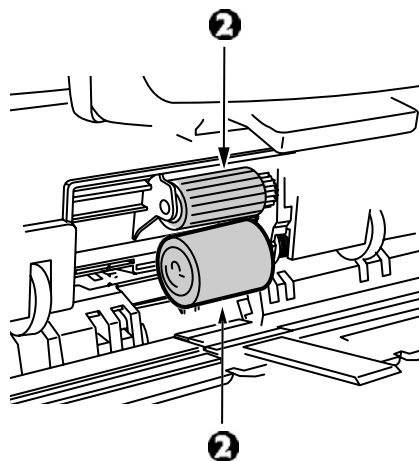
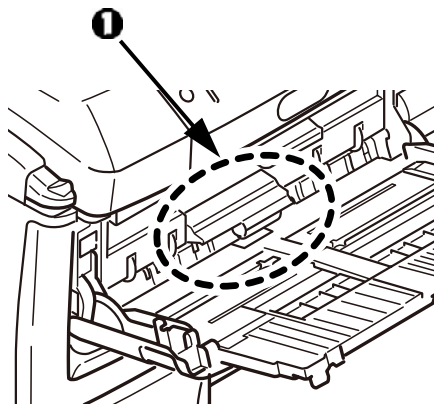


2. Apague la impresora.



3. Retire los medios de impresión de la bandeja multiuso.

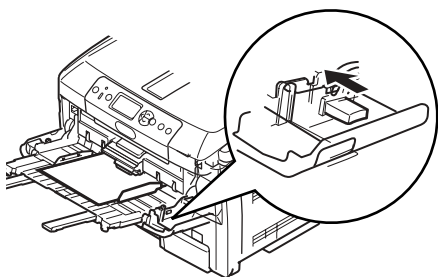
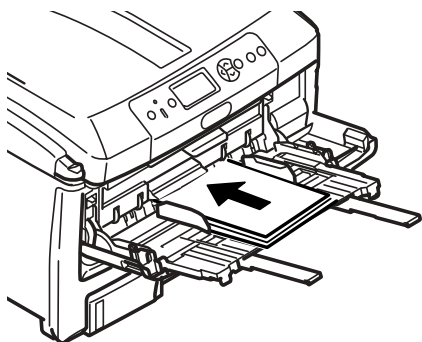
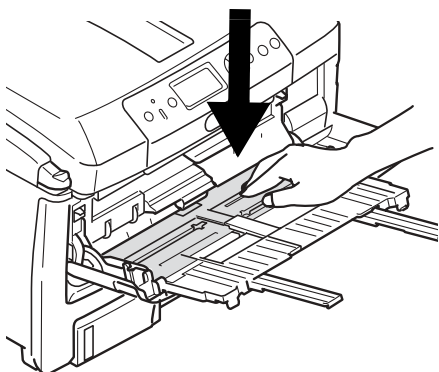
4. Levante la tapa de rodillos (1) y limpie los dos rodillos de alimentación de papel (2) con un paño suave ligeramente humedecido con agua.



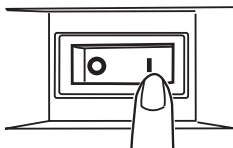
# Mantenimiento (cont.)

## Limpieza de los rodillos de alim. de la band. MU

5. Vuelva a colocar los medios de impresión en la bandeja multiuso.



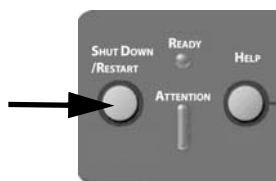
6. Encienda la impresora.



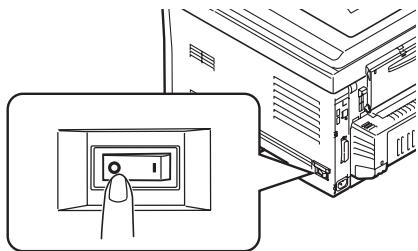
## Mantenimiento (cont.)

### Limpieza de los rodillos de alim. de la Bandeja 1

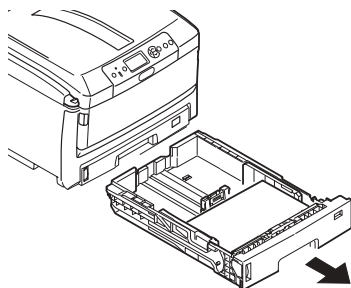
1. Si la impresora tiene instalado un disco duro, pulse y sostenga el botón Shutdown/Reset (Apagar/Reiniciar) del panel de control durante 3 segundos y espere a que aparezca el mensaje que indica que puede apagar la impresora. De lo contrario proceda con el siguiente paso.



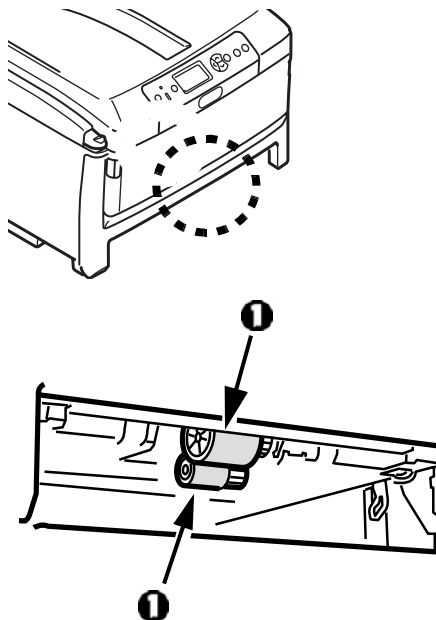
2. Apague la impresora.



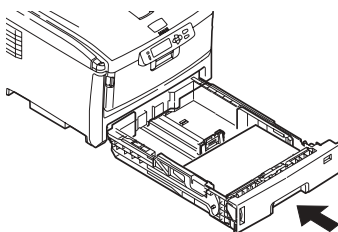
3. Retire la bandeja 1 de la impresora.



4. A través del espacio en donde estaba la Bandeja 1, limpie dos rodillos de alimentación de papel (1) con un paño suave ligeramente humedecido con agua.



5. Vuelva a colocar la Bandeja 1.



6. Encienda la impresora.

---

## Mantenimiento (cont.)

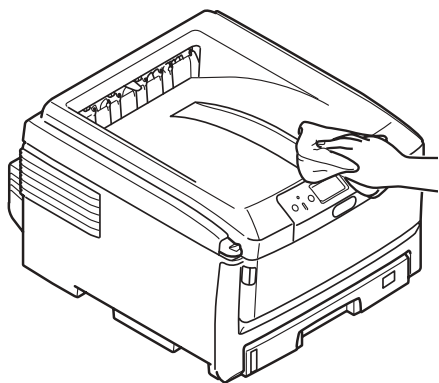
### Limpieza de la impresora

---

*¡Importante!*

*Nunca utilice solventes o detergentes fuertes para limpiar el gabinete: los mismos pueden causar daños.*

Use un paño suave ligeramente húmedo para limpiar el exterior de la máquina.



---

# Servicio & Soporte

---

## Primero ...

Consulte el almacén donde compró su impresora.

## Otros Recursos OKI

- Las 24 horas del día, los 7 días de la semana
- VIsItE MY.OKIDATA.COM para obtener la información más actualizada sobre
  - Controladores y utilidades
  - Resolución de problemas
  - Noticias sobre productos
  - ¡y mucho más!
- Llame al 1-800-654-3282.

---

OKI es una marca de fábrica registrada de Oki Electric Industry Company, Ltd.

AmEx es una marca de fábrica registrada de American Express Co.

MasterCard es una marca de fábrica registrada de MasterCard International, Inc.

VISA es una marca de fábrica registrada de Visa.

Windows es una marca de fábrica registrada o una marca de fábrica de Microsoft Corporation en los Estados Unidos y en otros países.



# Pedidos de suprimentos de reposição

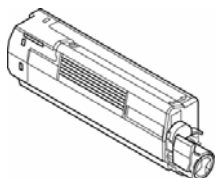
## Como fazer pedidos

- Consulte o revendedor onde adquiriu a impressora.
- Consulte um representante autorizado de vendas ou assistência técnica da Oki Data. (Para se informar a respeito do revendedor mais próximo, ligue para [5511] 3444-3500.)
- Consulte os catálogos de suprimentos de escritório.

## Números para pedidos

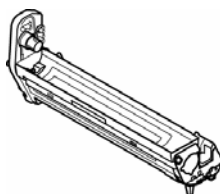
### Toners

*Importante!*  
Use apenas cartuchos de toner originais Oki.



Toner	Número do produto
Preto	44059112
Ciano	44059111
Magenta	44059110
Amarelo	44059109

## Cilindros OPC



Cilindro OPC	Núm. do produto
Preto	44064016
Ciano	44064015
Magenta	44064014
Amarelo	44064013

## Unidades fusoras e esteira de transferência

Item	Número do produto
Unidade fusora, 120V	43529404
Unidade fusora, 230V	43529409
Esteira de transferência	43449704

## Instalação

Instruções de instalação estão incluídas com esses itens.

# Uso do menu da impressora

## Navegação

### Nota

As configurações feitas no driver da impressora substituem as configurações do menu da impressora.

### Navegação pelos menus da impressora



1. Pressione o botão ENTER para entrar no modo menu.



2. Pressione o botão ▼ ou ▲ repetidamente para acessar as Categorias, Itens e Valores.



3. Pressione o botão ENTER para selecionar uma Categoria, Item ou Valor a ser alterado, ou para ativar a nova configuração para um Valor.

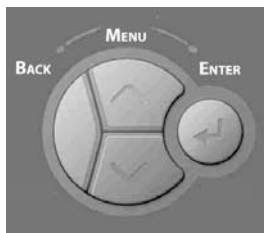


4. Pressione o botão Back (Voltar) para voltar um nível na hierarquia do menu.



5. Pressione o botão ON LINE para salvar a configuração e sair do modo menu.

### Por exemplo



Para configurar cartões rígidos como o material de impressão padrão na bandeja multifuncional:

1. Pressione ENTER.
2. Pressione o botão ▼ repetidamente para acessar Menus. Pressione ENTER.
3. Pressione o botão ENTER para selecionar Tray Configuration (Configuração das bandejas).
4. Pressione o botão ▼ repetidamente para acessar MPTray Config (Configuração da bandeja multifuncional). Pressione ENTER.
5. Pressione o botão ▼ repetidamente para acessar Media Type (Tipo de papel). Pressione ENTER.
6. Pressione o botão ▼ repetidamente para acessar Card Stock (Cartão). Pressione ENTER.  
*Um asterisco aparecerá ao lado de Card Stock.*
7. Pressione o botão ON LINE para salvar a configuração e sair do menu.

# Uso do menu da impressora

## Resumo do menu

### Resumo das categorias do menu

A relação abaixo é um resumo dos menus típicos. Os itens de menu variarão dependendo dos opcionais instalados na impressora.

#### ► **Configuration Menu (Menu Configuração)**

Inclui informações sobre a vida útil restante dos suprimentos (toners, cilindros OPC, etc.), informações sobre a rede e informações sobre o sistema em geral.

#### ► **Print Information Menu (Menu Imprimir informações)**

Para imprimir vários relatórios que contêm informações sobre a impressora, incluindo o relatório de configuração, informações sobre a rede, a página de demonstração, listas das fontes disponíveis, etc.

#### ► **Menu Menus**

Para configurar as diversas bandejas e definir as configurações do sistema, como o intervalo de tempo para ativação do modo de economia de energia, tempos limites, recuperação após atolamentos, etc. Também permite iniciar um descarregamento de dados (hex dump) ou iniciar o ciclo de limpeza dos cilindros.

#### ► **System Adjust Menu (Menu Ajuste do sistema)**

Permite a configuração dos parâmetros de rede, impressora, PS, PCL, IBM PPR e Epson FX, etc. Esta seção do menu é geralmente reservada para o administrador do sistema, sendo protegida por senha.

#### ► **Calibration Menu (Menu Calibração)**

Permite o ajuste da densidade, ajuste do registro das cores e densidade das cores.

### Impressão do relatório de configuração

O relatório de configuração fornece uma lista das configurações atuais dos menus da impressora.

1. Pressione ENTER.
2. Pressione o botão ▼ repetidamente para acessar Print Information (Imprimir informações). Pressione ENTER.
3. Pressione o botão ENTER para selecionar Configuration (Configuração).
4. Pressione o botão ENTER para selecionar Execute (Executar).

*O relatório de configurações será impresso e a impressora voltará a ficar em linha.*

# Uso do menu da impressora

## Como restaurar os parâmetros padrão

### Como restaurar os parâmetros padrão originais

#### Nota:

Isso requer acesso à seção de configuração do administrador do menu da impressora, que é protegida por senha. Isso é normalmente feito pelo administrador do sistema. Se o sistema não tiver um administrador, a senha padrão é aaaaaa.

1. Pressione ENTER.
2. Pressione o botão ▼ repetidamente para acessar Admin Setup (Configuração do administrador). Pressione ENTER.
3. Para cada dígito da senha, use os botões ▼/▲ para selecionar o valor e, em seguida, pressione o botão Enter.
4. Pressione ENTER.
5. Pressione o botão ▼ repetidamente para acessar Settings (Configurações). Pressione ENTER.
6. Pressione o botão ENTER para selecionar Reset Settings (Restabelecer configurações).
7. Pressione o botão ENTER para selecionar Execute (Executar).

*A impressora será reinicializada e voltará ao estado em linha.*

# Configurações da mídia de impressão

## *Importante!*

A configuração da mídia de impressão deve sempre coincidir com a mídia sendo utilizada.

Configurações incorretas da mídia de impressão:

- resultam em impressões de baixa qualidade
- causam desprendimento das partículas de toner
- *podem danificar a impressora*

## **Nota:**

As configurações do driver da impressora substituem as configurações do menu da impressora.

## **Configuração padrão da gramatura**

A configuração padrão da gramatura da mídia de impressão para a bandeja 1 e bandeja multifuncional é Light (Leve).

## **Alteração da gramatura da mídia de impressão para trabalhos individuais de impressão**

Se for necessário imprimir um trabalho em uma mídia de impressão especial, é possível colocar temporariamente a mídia em uma bandeja e alterar as configurações da mídia de impressão para a bandeja *no driver* à medida que o trabalho é impresso.

## **Configurações da gramatura**

<b>Configuração</b>	<b>Gramatura da mídia de impressão</b>
Light (Leve)	US Bond: 17 a 20 lb. Index: 35 a 42 lb. Métrico: 64 a 82 g/m <sup>2</sup>
Medium Light (Leve médio)	US Bond: 22 ta 24 lb. Index: 46 a 50 lb. Métrico: 83 a 90 g/m <sup>2</sup>
Medium (Média)	US Bond: 24 a 28 lb. Index: 50 a 58 lb. Métrico: 91 a 105 g/m <sup>2</sup>
Heavy (Pesada)	US Bond: 30 a 34 lb. Index: 62 a 71 lb. Métrico: 106 a 128 g/m <sup>2</sup>
Ultra Heavy (Ultra pesada)	US Bond: 36 a 54 lb. Index: 75 a 113 lb. Cover: 50 a 75 lb. Métrico: 129 a 203 g/m <sup>2</sup>
Ultra Heavy2 (Ultra pesada2)	US Bond: 54 a 58lb. Index: 113 a 141 lb. Cover: 75 a 80 lb. Métrico: 204 a 220 g/m <sup>2</sup>

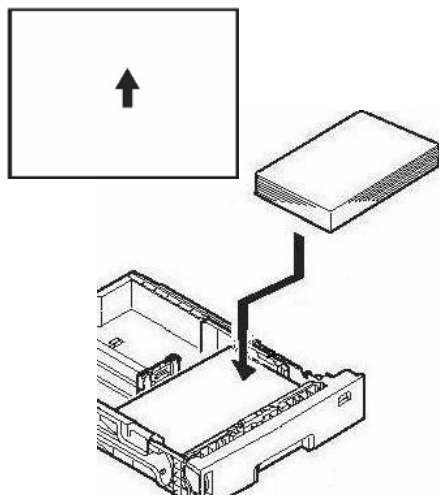
# Bandeja 1 e bandejas opcionais 2 e 3

## Mídias de impressão utilizáveis

### Especificações da mídia de impressão

<b>Gramatura:</b>	<i>Bandeja 1:</i> 17 a 32 lb. <i>US Bond</i> (64 a 120 g/m <sup>2</sup> ) <i>Bandeja 2 opcional:</i> 17 a 47 lb. <i>US Bond</i> (64 a 176 g/m <sup>2</sup> ) <b>Nota:</b> A impressão duplex está restrita à gramatura máxima de 105 g/m <sup>2</sup> .
<b>Tamanhos padrão:</b>	Carta LEF*, Carta SEF**, Tablóide, Ofício-14, Ofício-13,5, Ofício-13, Executivo, A3, A4 LEF, A4 SEF, A5, B4, B5 LEF, B5 SEF. <i>Apenas bandeja 1:</i> A6.
<b>Tamanhos personalizados:</b> Os tamanhos personalizados devem ser definidos no driver antes da impressão. Consulte o Manual do Usuário em formato eletrônico.	<i>Impressão Simplex</i> (impressão apenas em um lado): <ul style="list-style-type: none"><li>• Mín.: 105 x 148 mm</li><li>• Máx.: 328 x 432 mm</li></ul> <i>Impressão Duplex</i> (impressão frente e verso): padrão nos modelos C830dn e C830dtn, opcional no modelo C830n): <ul style="list-style-type: none"><li>• Mín.: 148 x 182 mm</li><li>• Máx.: 297 x 420 mm</li></ul>
<b>Capacidade:</b>	<i>Bandeja 1:</i> 300 folhas de papel de 20-lb. (75 g/m <sup>2</sup> ) <i>Band.2, 3 opcionais:</i> 530 folhas de papel de 20-lb. (75 g/m <sup>2</sup> )

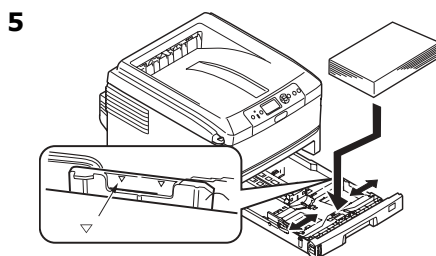
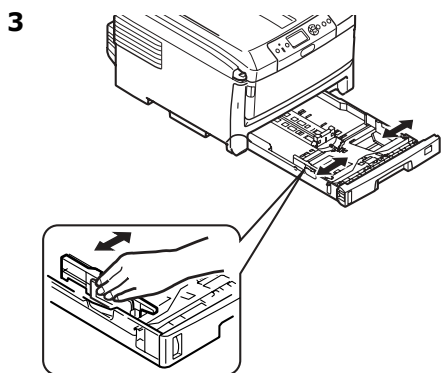
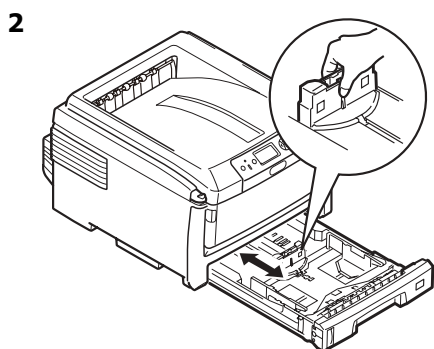
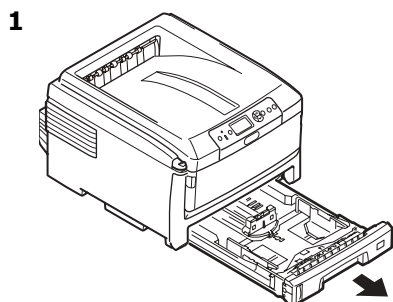
\* LEF = Alimentação pela borda longa:



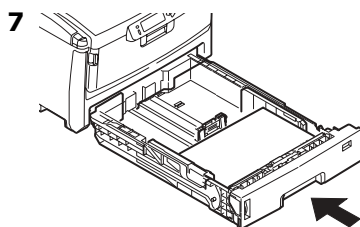
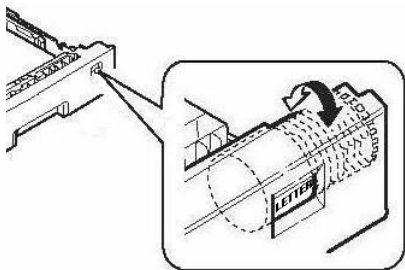
\*\* SEF = Alimentação pela borda curta:



# Bandeja 1 e bandejas opcionais 2 e 3 (cont.) Colocação do papel



**6 Importante! Ajuste o seletor de tamanho do papel de acordo com o tamanho de papel sendo utilizado.**



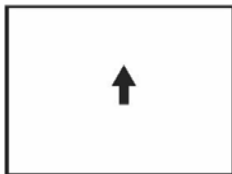
# Bandeja multifuncional

## Mídias de impressão utilizáveis

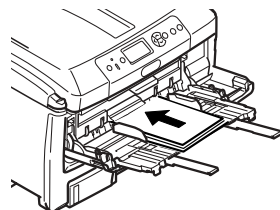
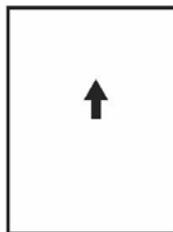
### Especificações da mídia de impressão

<b>Faixa de gramatura:</b>	17 a 59 lb. US Bond (35 a 120 lb. Index, 64 a 220 g/m <sup>2</sup> métrico)
<b>Tamanhos padrão:</b>	Carta LEF*, Carta SEF**, Ofício-14, Ofício-13,5, Ofício-13, Tablóide, Executivo, A4 SEF, A4 LEF, A5, A6, B4, B5 SEF, B5 LEF, e envelopes COM-10, DL, C4 e C5.
<b>Faixa de tamanho:</b> Os tamanhos fora do padrão devem ser definidos no driver antes da impressão: consulte o Manual do Usuário em formato eletrônico.	Mín. 64 a 105 mm Máx. 297 x 432 mm Padrão = Carta (LEF) <i>Faixas:</i> 210 a 297 mm de largura por 432 mm a 1320 mm de comprimento. <i>O papel para a impressão de faixas deve ser alimentado uma folha de cada vez.</i>
<b>Capacidade:</b>	<ul style="list-style-type: none"><li>• 100 folhas de papel de 20-lb. (75 g/m<sup>2</sup>)</li><li>• 10 envelopes</li><li>• 20 folhas de etiquetas</li><li>• Transparências, alimentação pela borda curta, uma folha de cada vez</li><li>• <i>Faixas</i>, uma folha de cada vez</li></ul>

\* LEF = Alimentação pela borda longa:



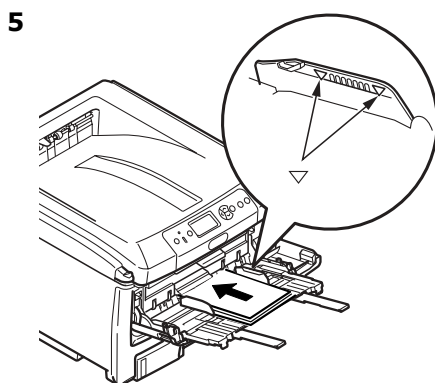
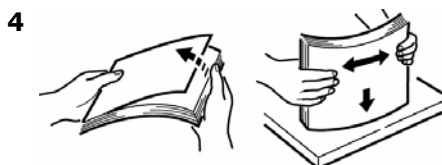
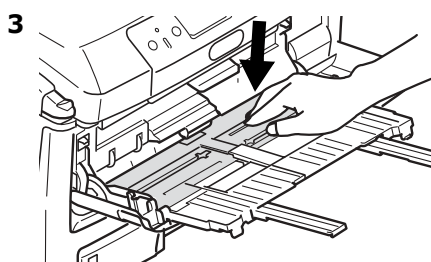
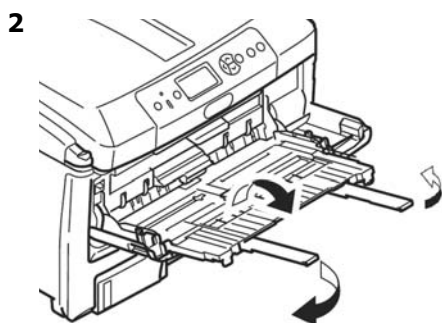
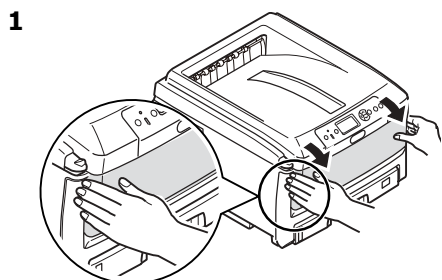
\*\* SEF = Alimentação pela borda curta:





# Bandeja multifuncional (cont.)

## Colocação da mídia de impressão

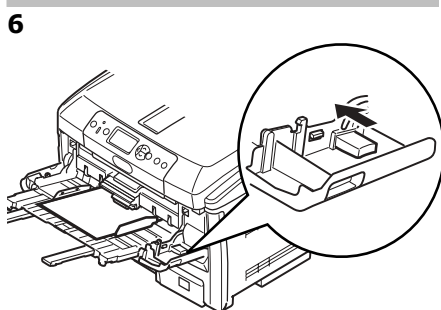


### Papel timbrado

- Colocar virado **para cima** e a borda superior voltada **para dentro** da impressora.

### Envelopes

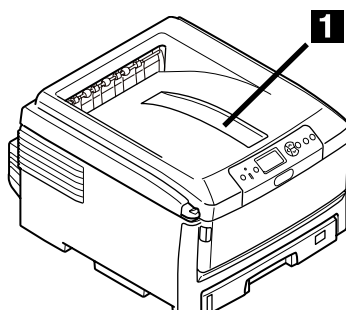
- Coloque o lado destinado à impressão **para cima** (aba para baixo), com a borda superior voltada **para dentro** da impressora.



# Escaninhos de saída

## Escaninho de saída superior (face para baixo)

Este é o escaninho normalmente usado.



- Para papéis de até 34 lb. US Bond (128 g/m<sup>2</sup>).
- Capacidade para até 250 folhas de papel de 20-lb. (75 g/m<sup>2</sup>).
- As páginas são empilhadas com a face impressa para baixo.

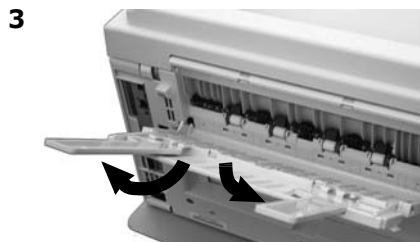
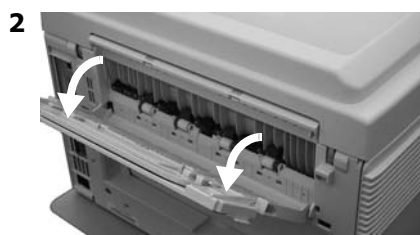
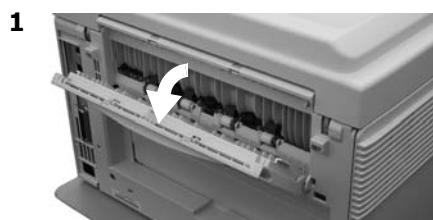
## Escaninho de saída posterior (face para cima)

- Percurso reto de saída do papel. Utilizar para transparências, envelopes, etiquetas e papel de alta gramatura.
- Capacidade para papéis de 17 a 58 lb. US Bond (64 a 220 g/m<sup>2</sup>).
- Capacidade para até 100 folhas de papel de 20-lb. (75 g/m<sup>2</sup>).
- O papel é impresso com a face para cima (para documentos com várias páginas, selecione a impressão em ordem inversa na caixa de diálogo de impressão do aplicativo para que as cópias sejam empilhadas na ordem correta).

## Nota

Se o escaninho traseiro estiver aberto, todas as páginas impressas sairão por ele, independentemente da configuração no driver da impressora.

## Para abrir o escaninho de saída posterior.



# Impressão duplex (Impressão nos dois lados do papel)

## Borda longa x Borda curta

Borda longa



Borda curta



## Especificações

*Gramatura do papel*

17 a 28 lb. US Bond (64 a 105 g/m<sup>2</sup>).

### Nota

Se o papel enrolar, troque-o para papel de 28-lb. (105 g/m<sup>2</sup>).

*Alimentação do papel*

Bandeja 1, bandeja 2 opcional ou bandeja multifuncional

*Saída do papel*

Escaninho de saída superior ou escaninho de saída traseiro.

*Tamanhos do papel*

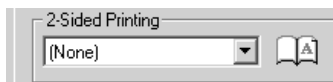
- **Padrão:** Carta, Ofício-14, Ofício-13,5, Ofício-13, Tablóide, Executivo, A3, A4 LEF, A5 SEF, B4, B5 LEF.
- **Personalizado:** Apenas bandeja multifuncional, mínimo 148,5 x 182 mm, máximo 297 x 420 mm

## Como imprimir usando a unidade duplex

Abra o arquivo que deseja imprimir e selecione Arquivo → Imprimir. Selecione a impressora C830.

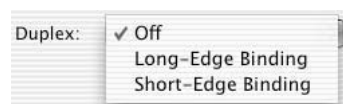
*Windows*

1. Para todos os sistemas operacionais, salvo o Windows 2000, clique em Propriedades ou Preferências. Caso contrário, vá para a etapa 2.
2. Na guia Setup (Configurar), em 2-Sided Printing (Impressão frente e verso), selecione Long Edge (Borda longa) ou Short Edge (Borda curta).



*Macintosh*

1. Em Presets (Configurações predefinidas), selecione Duplex.
2. Em Duplex, selecione Long-Edge Binding (Encadernação pela borda longa) ou Short-Edge Binding (Encadernação pela borda curta).



# Modo de economia de energia

O recurso de economia de energia determina quanto tempo a impressora aguardará antes de entrar no modo de espera. Isso economiza energia, mas a impressora precisará de tempo para aquecer quando receber um trabalho de impressão ou se o usuário desejar acessar o menu e alterar as configurações.

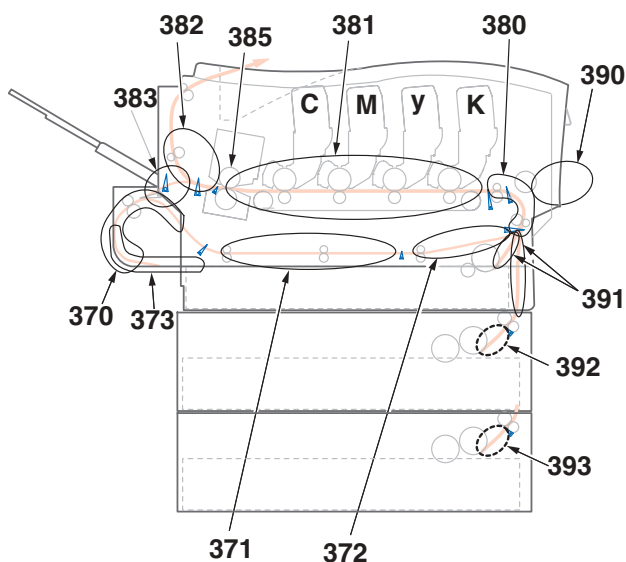
## Configuração do intervalo para ativação do modo de economia de energia

1. Pressione ENTER.
2. Pressione o botão ▼ repetidamente para acessar Menus. Pressione ENTER.
3. Pressione o botão ▼ repetidamente para acessar System Adjust (Ajuste do sistema). Pressione ENTER.
4. Pressione o botão ENTER para selecionar Power Save Time (Intervalo para ativação do modo de economia de energia).
5. Pressione o botão ▼ ou ▲ para realçar o intervalo para ativação do modo de economia de energia desejado (5, 15, 30, 60 [padrão] ou 240 minutos). Pressione ENTER.  
*Um asterisco (\*) aparecerá ao lado do valor selecionado.*
6. Pressione o botão ON LINE para configurar o novo valor e sair do menu.

## Para habilitar/desabilitar o recurso de economia de energia

Só o administrador do sistema pode desabilitar ou reabilitar o modo de economia de energia. As informações sobre como fazer isso estão disponíveis na seção "Funções dos menus" do Manual do Usuário eletrônico contido no CD fornecido com a impressora.

# Eliminação de atolamentos de papel



Quando as palavras "Paper jam" (Atolamento de papel) forem exibidas no display, há papel atolado na impressora. Pode ser que haja mais de uma folha na impressora, dependendo do local onde o papel está atolado.

Se uma folha for removida e outras folhas continuarem na impressora, a mensagem inicial desaparecerá temporariamente e, em seguida, "Paper Jam" (Atolamento de papel) aparecerá novamente.

## Resumo das mensagens de erro de atolamentos de papel

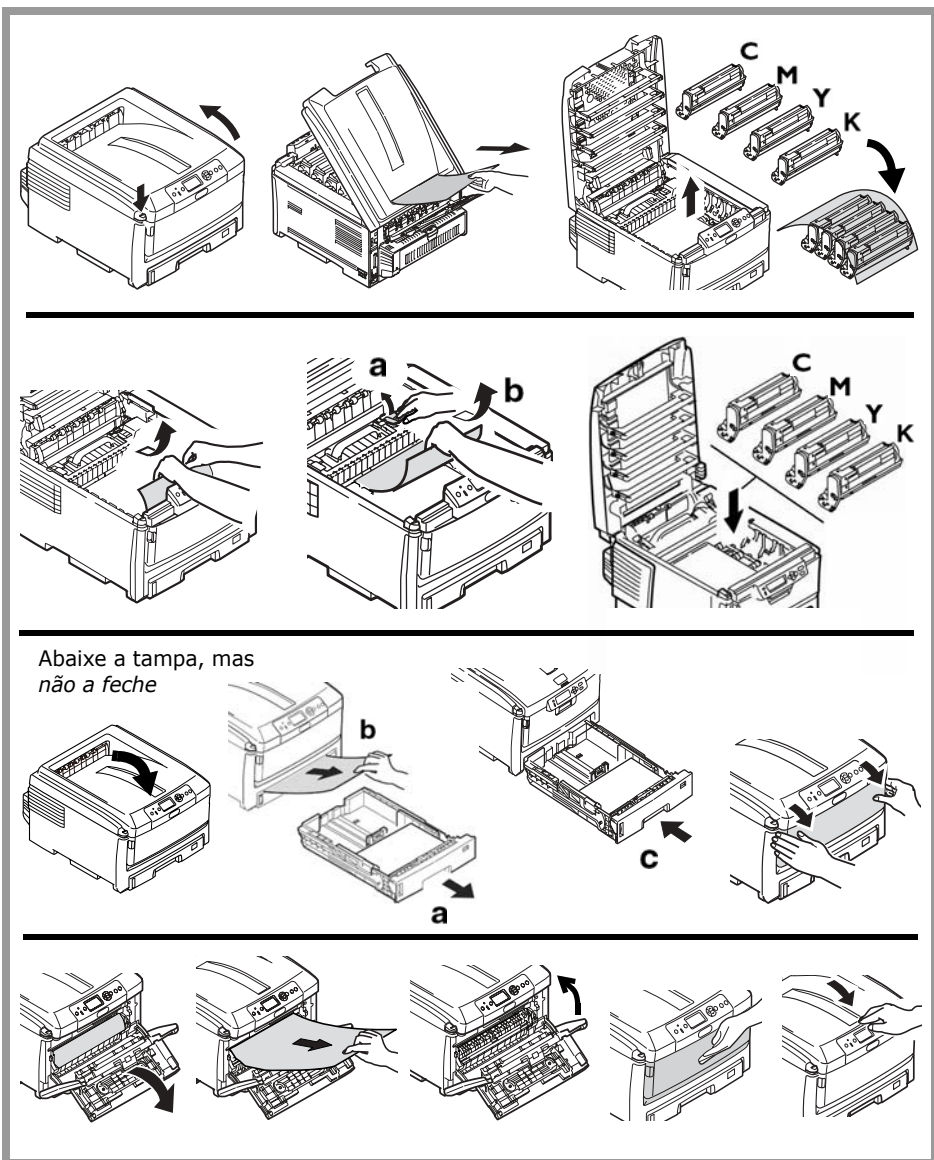
Número do erro	Localização do atolamento	Número do erro	Localização do atolamento
370	Inversão na unidade duplex <sup>1</sup>	383	Entrada da unidade duplex*
371	Entrada da unidade duplex*	385	Unidade fusora
372	Alimentação incorreta na unidade duplex*	390	Bandeja multifuncional
373	Mais de uma folha alimentada na unidade duplex*	391	Bandeja para papel 1
380	Alimentação do papel	392	Segunda bandeja para papel*
381	Percurso do papel	393	Terceira bandeja para papel*
382	Saída do papel		

1. Aplica-se apenas se esta opção estiver instalada.

# Eliminação de atolamentos de papel (cont.)

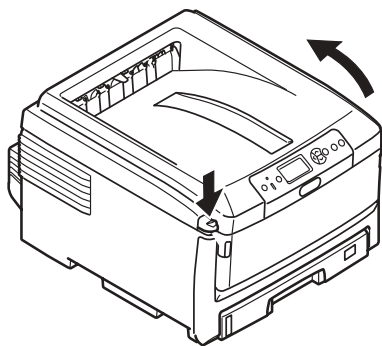
O quadro abaixo apresenta um resumo dos processos básicos para eliminar atolamentos de papel.

Para obter mais detalhes, consulte as próximas páginas.



# Eliminação de atolamentos de papel (cont.)

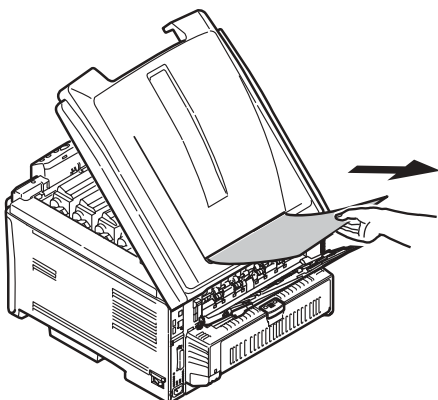
1. Abra a tampa superior.



2. Se um pedaço considerável da folha de papel estiver para fora da impressora, basta segurar a folha e puxá-la com cuidado para retirá-la totalmente.

## Nota

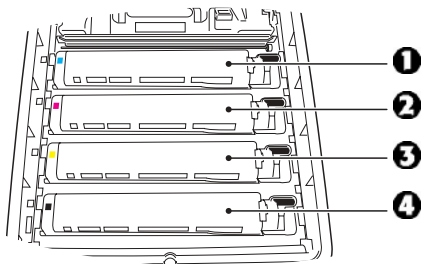
Se a folha não estiver muito para fora, será removida na etapa 7.



## Cuidado!

**A unidade fusora pode estar quente! Esta área está bem identificada. Não a toque.**

Note a posição de cada um dos diversos cartuchos de toner coloridos.



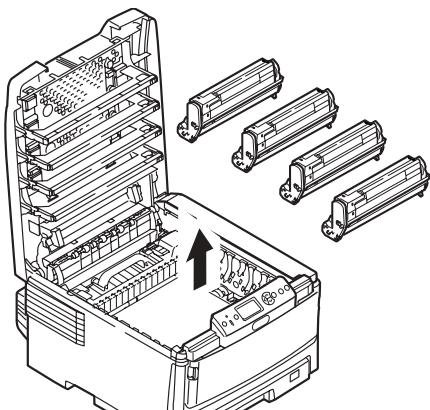
- 1 = Ciano
- 2 = Magenta
- 3 = Amarelo
- 4 = Preto

## Atenção!

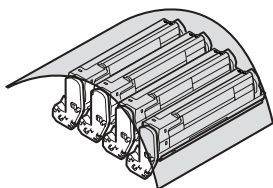
**Não toque na superfície verde brilhante do cilindro OPC e nem o exponha à luz por mais de cinco minutos.**

## Eliminação de atolamentos de papel (cont.)

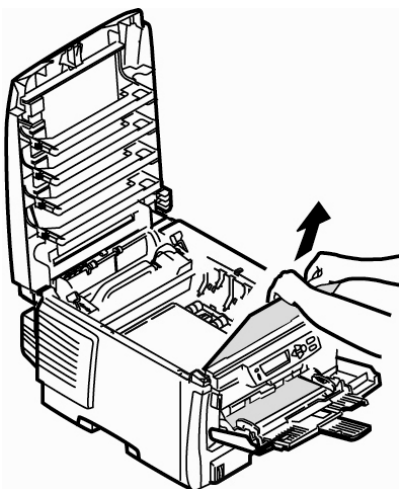
3. Retire todos os quatro cilindros OPC/cartuchos de toner da impressora e coloque-os em uma superfície plana.



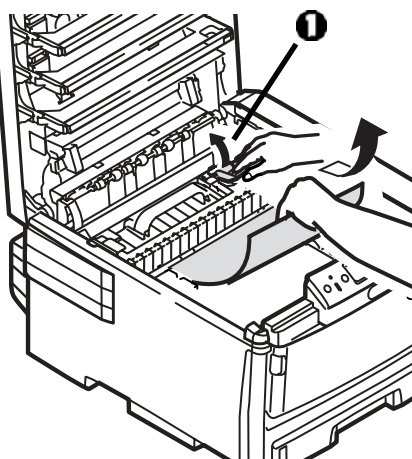
4. Cubra os cilindros OPC para protegê-las da luz direta.



5. Retire com cuidado todas as folhas de papel atoladas.



6. Se a folha estiver presa na unidade fusora, puxe a alavanca da unidade fusora (1) em sua direção e, em seguida, retire a folha de papel da unidade.





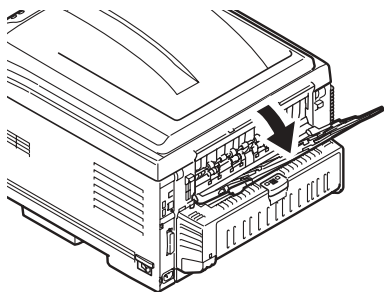
## Eliminação de atolamentos de papel (cont.)

7. Se for difícil remover a folha da unidade fusora:

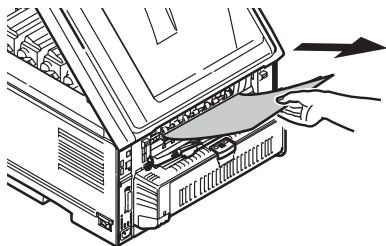
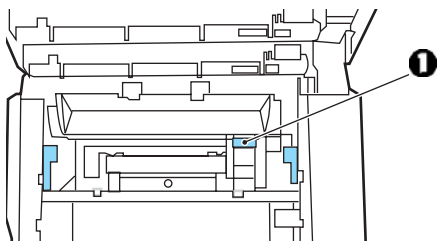
### **Cuidado!**

**A unidade fusora pode estar quente! Esta área está bem identificada. Não a toque.**

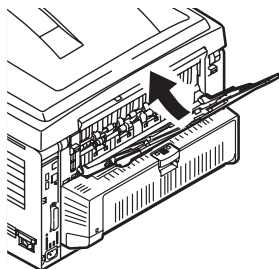
a. Caso não esteja em uso, baixe o escaninho de saída traseiro.



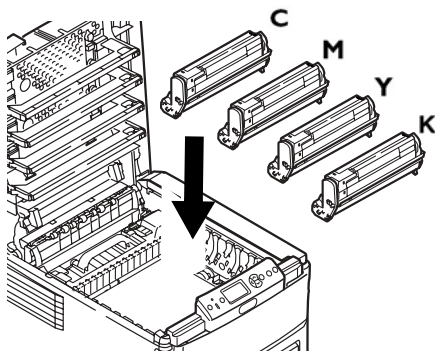
b. Acesse e empurre a alavanca de liberação da unidade fusora (1) e puxe a folha para fora por trás da unidade.



c. Caso não esteja usando o escaninho de saída traseiro, feche-o.



8. Recoloque os quatro cilindros OPC/cartuchos de toner na impressora, tomando cuidado para colocá-los na seqüência correta.



C = Ciano

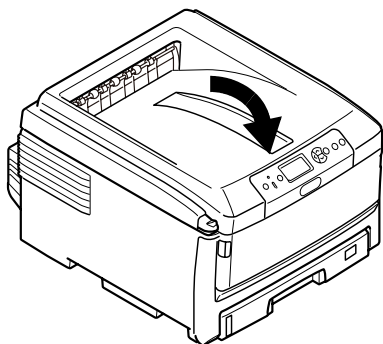
M = Magenta

Y = Amarelo

K = Preto

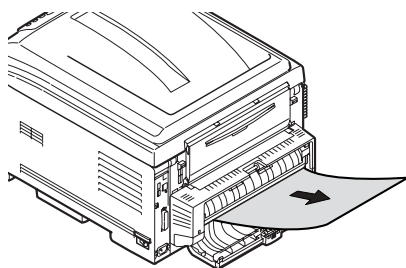
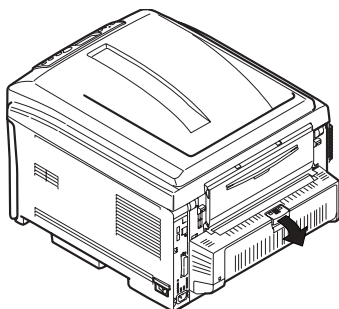
## Eliminação de atolamentos de papel (cont.)

9. Abaixar a tampa da impressora para proteger os cilindros OPC da luz, mas *não* a fechar.

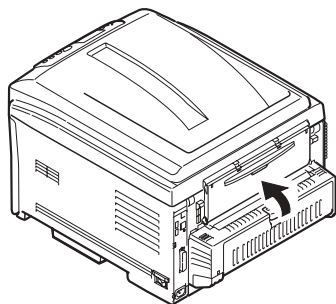


### **Apenas nas impressoras equipadas com unidade duplex opcional:**

Abra a tampa da unidade duplex e retire todas as folhas desta área.

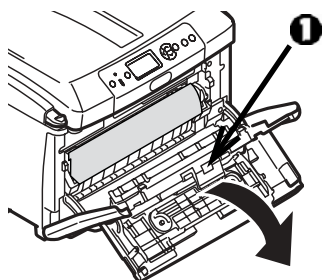
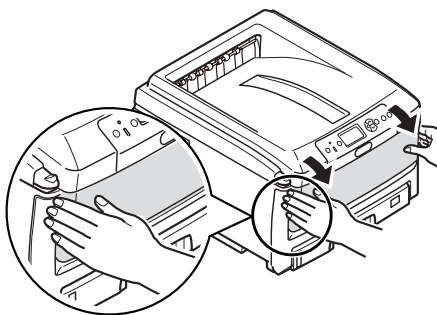


Feche a tampa da unidade duplex.

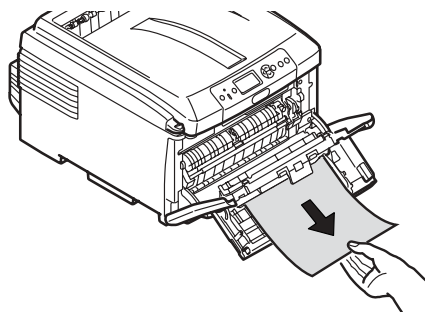
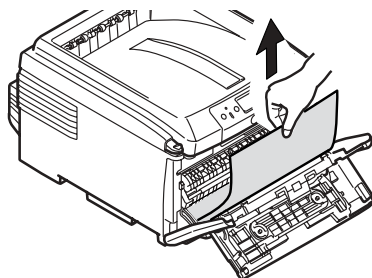
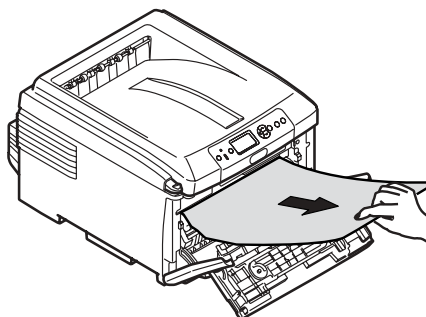


## Eliminação de atolamentos de papel (cont.)

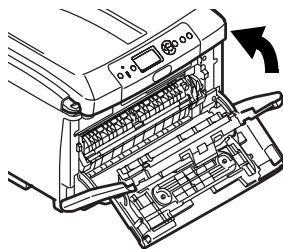
- 10.** Caso não esteja aberta, abra a bandeja multifuncional, levante o mecanismo de liberação da tampa interna (1) e abra a tampa interna.



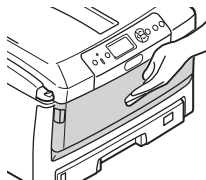
- 11.** Remova todo o papel atolado.



- 12.** Feche a tampa frontal interna.

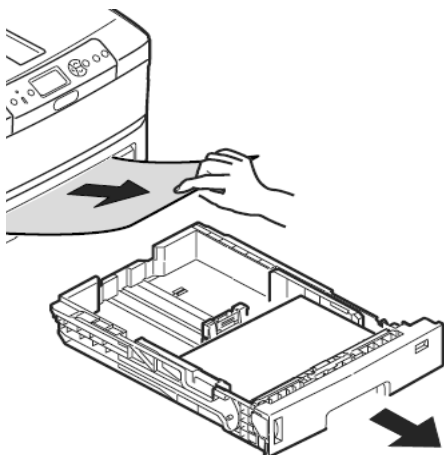


- 13.** Caso não a esteja usando, feche a bandeja multifuncional.

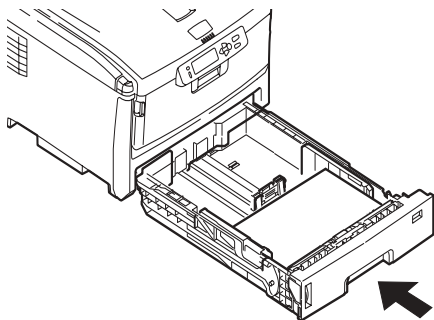


## Eliminação de atolamentos de papel (cont.)

14. Puxe a bandeja para fora e retire todas as folhas atoladas.

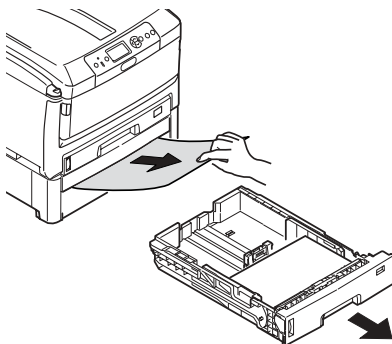


15. Feche a bandeja.

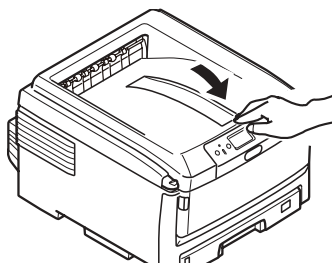


### Para impressoras equipadas com bandejas para papel opcionais:

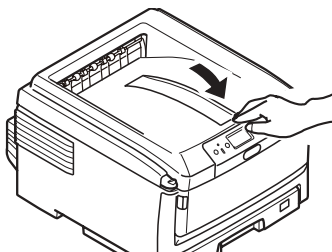
Puxe a segunda bandeja para papel para fora e retire todas as folhas atoladas.



Feche a bandeja.



16. Feche a tampa e pressione-a para baixo para travá-la.



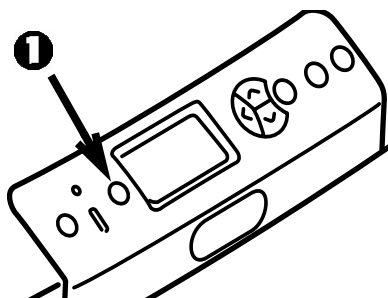
## Botão HELP

A impressora possui um sistema de Ajuda.

Quando aparecer a mensagem:

**Please see HELP for details  
(Consultar os detalhes na  
AJUDA)**

no display, pressione o botão HELP (Ajuda) (1).



O display mostrará informações que ajudarão a corrigir o erro.

Pressione o botão ▼ para acessar mais informações da Ajuda.

Para obter mais informações, consulte o Manual do Usuário em formato eletrônico no CD de documentação fornecido com a impressora.

# Mensagens de erro

As próximas páginas descrevem algumas das mensagens de erro mais comuns e o que fazer quando aparecerem.

Sempre que a mensagem "Please see HELP for details" (Consultar os detalhes na AJUDA) aparecer na parte inferior do display, pressione o botão Help no painel de controle para obter mais informações.

## Mensagens de erro relacionadas aos cartuchos de toner

Toner Sensor Error  
(Erro no sensor de toner)  
XXXX

Há um problema com o cartucho de toner da cor XXXX.

Abra a tampa.

Confirme se o cartucho de toner indicado está firmemente encaixado no cilindro e se a alavanca de travamento está empurrada o máximo possível na direção da parte de trás da impressora. Feche a tampa.

Se isto não fizer a mensagem desaparecer, ligue para a assistência técnica autorizada local.

XXXX Toner Low (Pouco toner XXXX)

Aparece na segunda linha do display para indicar que o cartucho de toner da cor indicada (XXXX) está chegando ao fim. Tenha em mãos o cartucho de toner de reposição original Oki necessário (ver page 4).

### Nota

Se o item LOW TONER (Pouco toner) foi alterado para STOP (Parar), a luz ATTENTION (Atenção) piscará e o usuário precisará trocar imediatamente o cartucho de toner ou pressionar a tecla ON LINE para continuar a imprimir.

Non Genuine XXXX Toner  
(Cartucho de toner XXXX não original)

Aparece na segunda linha do display para indicar que o cartucho da cor XXXX não tem o circuito integrado RFI correto.

XXXX:

- 550 = Amarelo
- 551 = Magenta
- 552 = Ciano
- 553 - = Preto

Troque o cartucho de toner colorido indicado por um cartucho de toner Oki original.

# Mensagens de erro

## Mensagens de erro relacionadas aos cilindros OPC

XXXX Image Drum Near Life  
(Vida útil do cilindro OPC XXXX quase no fim)

Aparece na segunda linha do display para indicar que o cilindro OPC da cor indicada (XXXX) está chegando ao fim. Tenha em mãos o cilindro OPC de reposição necessário (ver page 4).

Install New Image Drum  
(Instalar novo cilindro OPC)  
Image Drum Life  
(Vida útil do cilindro OPC)  
XXXX

Please see HELP for details  
(Consultar os detalhes na AJUDA)

O cilindro OPC da cor XXXX precisa ser trocado.

XXXX:

- 350 ou 560 = Amarelo
- 351 ou 561 = Magenta
- 352 ou 562 = Ciano
- 353 ou 563 = Preto

Troque o cilindro OPC indicado.  
(Consulte as instruções fornecidas com o cilindro OPC).

Check Image Drum  
(Verificar cilindro OPC)  
XXXX

Please see HELP for details  
(Consultar os detalhes na AJUDA)

Indica que o cilindro OPC XXXX não está instalado corretamente.

XXXX:

- 340 = Amarelo
- 341 = Magenta
- 342 = Ciano
- 343 = Preto

# Mensagens de erro

## Mensagens de erro relacionadas à esteira e à unidade fusora

ZZZZ Near Life  
(ZZZ próxima do fim da vida útil)

Aparece na segunda linha do display para indicar que o item ZZZZ (esteira ou unidade fusora) está chegando ao fim de sua vida útil.

Tenha em mãos o item de reposição necessário (ver page 4).

Change ZZZZ Unit (Trocar ZZZZ)

Aparece na segunda linha do display para indicar que o item especificado (esteira ou unidade fusora) chegou ao fim de sua vida útil e precisa ser trocado.

Install New ZZZ Unit  
(Instalar nova ZZZ)  
ZZZ Unit Life (Vida útil da ZZZ)

Please see HELP for details  
Consultar os detalhes na AJUDA)

Indica que a ZZZ (esteira ou unidade fusora) precisa ser trocada.

Check ZZZZ Unit (Verificar ZZZZ)

Please see HELP for details  
(Consultar os detalhes na AJUDA)

Indica que o item ZZZ (esteira ou unidade fusora) não está instalado corretamente.



# Mensagens de erro

## Mensagens de erro relacionadas às bandejas para papel

XXXX Empty (XXXX vazia)

Aparece na segunda linha do display para indicar que é preciso colocar mais mídia de impressão na bandeja para papel (XXXX).

Install Paper (Colocar papel)  
TrayX (Bandeja X)  
MMMM  
Press ONLINE Button  
(Pressionar o botão ONLINE)

Um trabalho de impressão foi enviado à bandeja X, mas ela está vazia.

Coloque a mídia de impressão necessária (MMMM) e pressione o botão On Line.

Install Paper (Colocar papel)  
MP Tray (Bandeja multifuncional)  
XXXX  
Press ONLINE Button  
(Pressionar o botão ONLINE)

Um trabalho de impressão foi enviado à bandeja multifuncional, mas a mídia de impressão necessária não está colocada na bandeja.

Coloque a mídia de impressão necessária (XXXX) e pressione o botão On Line.

Change Paper in TrayX  
(Trocar o papel na bandeja X)  
SSSS  
MMMM  
Press ONLINE Button  
(Pressionar o botão ONLINE)  
Please see HELP for details  
(Consultar os detalhes na AJUDA)

A mídia de impressão na bandeja selecionada para o trabalho de impressão não coincide com a mídia especificada para o trabalho de impressão.

Remova a mídia de impressão da bandeja, troque-a pelo tamanho (SSSS) e tipo (MMMM) solicitados e pressione o botão On Line. .

Change Paper in MPTray  
(Trocar o papel na bandeja multifuncional)  
SSSS  
MMMM  
Press ONLINE Button  
(Pressionar o botão ONLINE)  
Please see HELP for details  
(Consultar os detalhes na AJUDA)

A mídia de impressão na bandeja multifuncional não coincide com a mídia especificada para o trabalho de impressão.

Remova a mídia de impressão da bandeja multifuncional, troque-a pelo tamanho (SSSS) e tipo (MMMM) solicitados e pressione o botão On Line.

# Mensagens de erro

## Mensagens de erro relacionadas às bandejas para papel (cont.)

Check Paper (Verificar o papel)  
Paper Size Error  
(Erro de tamanho do papel)  
TrayX (Bandeja X)

Please see HELP for details  
(Consultar os detalhes na AJUDA)

Tamanho incorreto de mídia colocado na bandeja indicada.

Abra a bandeja, verifique se houve problema de alimentação e retire toda mídia de impressão que estiver atolada na impressora.

Coloque mídia de impressão do tamanho correto na bandeja. Abra e feche a tampa superior para apagar a mensagem de erro e continuar a imprimir.

## Mensagens de erro relacionadas atolamentos de papel .

XXX  
Paper Jam (Atolamento de papel)  
YYY

Please see HELP for details  
(Consultar os detalhes na AJUDA)

A mensagem "Paper Jam" (Atolamento de papel) aparece na segunda linha do display quando há um atolamento de papel na impressora.

Para corrigir o problema, consulte "Clearing Media Jams" a partir da página 16, ou pressione o botão HELP no painel de controle da impressora.

Check Paper (Verificar o papel)  
Paper Multi Feed  
(Alimentação múltipla de papel)  
TrayX (Bandeja X)

Please see HELP for details  
(Consultar os detalhes na AJUDA)

Duas ou mais folhas de papel grudadas foram alimentadas ao mesmo tempo pela bandeja.

Abra a bandeja e remova todas as folhas presas. Em seguida, abra e feche a tampa superior para limpar a mensagem de erro e continuar a imprimir.

# Mensagens de erro

## Mensagens de erro relacionadas à "Paper Remain (Ainda há papel)"

### Nota

Essas mensagens não aparecerão se o procedimento descrito em "Clearing Media Jams" a partir da página 16 for seguido ao eliminar atolamentos de papel. .

Open Cassette (Abrir a bandeja)  
Paper Remain (Ainda há papel)  
TTTT

Please see HELP for details  
(Consultar os detalhes na AJUDA)

Há mais papel atolado na bandeja TTTT indicada:

631 = Bandeja 1

632 = Bandeja 2 (opcional)

633 = Bandeja 3 (opcional)

Abra a bandeja e retire o papel atolado.

Para obter mais informações, consulte "Clearing Media Jams" a partir da página 16, ou pressione o botão HELP no painel de controle da impressora.

Open Cover (Abrir a tampa)  
Paper Remain (Ainda há papel)  
Front Cover (Tampa frontal)

Please see HELP for details  
(Consultar os detalhes na AJUDA)

Há mais papel atolado atrás da tampa frontal.

Para obter mais informações, consulte a página 22, ou pressione o botão HELP no painel de controle da impressora. .

Open Cover (Abrir a tampa)  
Paper Remain (Ainda há papel)  
Top Cover (Tampa superior)

Please see HELP for details  
(Consultar os detalhes na AJUDA)

Há mais papel atolado na área da tampa superior. Códigos de erro:

638 = percurso de alimentação do papel

639 = percurso de saída do papel

640 = entrada da unidade duplex

Para obter mais informações, consulte "Clearing Media Jams" a partir da página 16, ou pressione o botão HELP no painel de controle da impressora.

# Mensagens de erro

## Mensagens de erro relacionadas à "Paper Remain (Ainda há papel)" (cont.)

Check Duplex Unit  
(Verificar a unidade duplex)  
Paper Remain (Ainda há papel)

Please see HELP for details  
(Consultar os detalhes na AJUDA)

Há mais papel atolado na unidade duplex. Códigos de erro:

641 = Área de inversão da unidade duplex

642 = Percurso de alimentação da unidade duplex

Para obter mais informações, consulte a página 21, ou pressione o botão HELP no painel de controle da impressora.

## Mensagens de erro relacionadas ao CAPM (Color Access Policy Manager) e ao Job Accounting

Os utilitários CAPM e Job Accounting permitem ao administrador do sistema configurar restrições de impressão para uma impressora C830 conectada em rede. Se um dos utilitários estiver em uso, mensagens relacionadas a trabalhos de impressão de usuários que têm acesso restrito ou nenhum acesso à impressora podem aparecer na segunda linha do display.

Para limpar a mensagem, pressione o botão On Line.

Se tiver alguma dúvida, consulte o administrador do sistema.

Color Restricted. Mono Printed  
(Restrição de impressão colorida.  
Impresso em modo monocromático.)

Aparece na segunda linha do display para indicar que um trabalho de impressão colorida foi enviado por um usuário que não tem permissão para imprimir em cores e foi impresso no modo monocromático.

Pressione o botão ONLINE para apagar a mensagem.

Color Restricted. Job Rejected  
(Restrição de impressão colorida.  
Trabalho rejeitado.)

Aparece na segunda linha do display para indicar que um trabalho de impressão colorida foi enviado por um usuário que não tem permissão para imprimir em cores e foi rejeitado porque a impressora não conseguiu imprimir no modo monocromático.

Pressione o botão ONLINE para apagar a mensagem.

# Mensagens de erro

## Mensagens de erro relacionadas ao CAPM e ao Job Accounting (cont.)

Print Restricted. Job Rejected  
(Restrição de impressão. Trabalho rejeitado.)

Aparece na segunda linha do display para indicar que um trabalho de impressão solicitado por alguém sem permissão de enviar trabalhos de impressão à impressora foi rejeitado.

Pressione o botão ONLINE para apagar a mensagem.

Log Buffer is Full. Job Rejected  
(Memória temporária do registro cheia. Trabalho rejeitado.)

Aparece na segunda linha do display para indicar que a memória temporária do registro está cheia e o trabalho de impressão foi rejeitado.

Pressione o botão ON Line para apagar a mensagem. Entre em contato com o administrador do sistema.

## Mensagens de erro genéricas

Press ONLINE Button for Restoration  
(Pressionar o botão ONLINE para restauração)  
Memory Overflow (Estouro da memória)

O trabalho de impressão é maior que a capacidade da memória da impressora.

Reduza o tamanho do arquivo sendo impresso (por ex.: imprima o arquivo em páginas separadas ou grupos de páginas, em vez de todas as páginas ao mesmo tempo).

Se isso acontecer com frequência, considere instalar memória adicional (N/P Oki 70051701, 512 MB) na impressora.

Remove Paper (Remover o papel)  
Face Down Stacker  
(Escaninho de saída de face para baixo)

Please see HELP for details  
(Consultar os detalhes na AJUDA)

O escaninho de saída superior atingiu sua capacidade. É preciso remover a pilha de papel impresso do escaninho antes de continuar a imprimir.

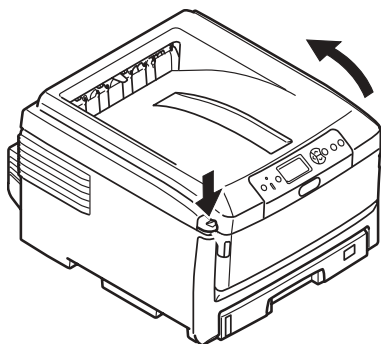
# Manutenção

## Limpeza dos pentes de LEDs

Limpe os pentes de LEDs:

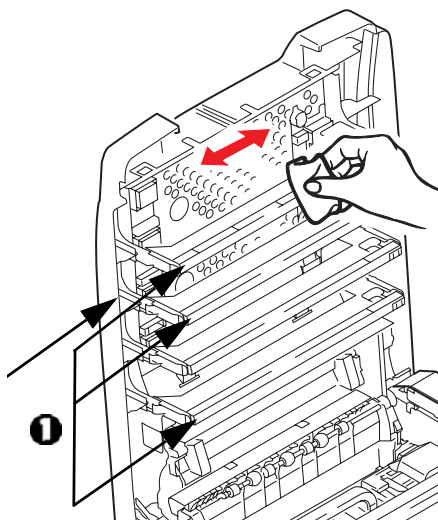
- sempre que um cartucho de toner for trocado (um produto de limpeza de pentes de LEDs é fornecido com cada cartucho de toner de reposição)
- se as folhas impressas exibirem sinais de imagens esvanecidas, faixas brancas ou letras borradas

1. Abra a tampa superior

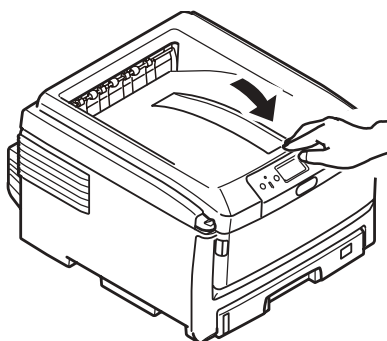


**Cuidado!**  
**Não use álcool metílico nem outros tipos de solventes nos pentes de LEDs, pois isto danificará a superfície das lentes.**

2. Use o produto de limpeza de pentes de LEDs fornecido com os cartuchos de toner ou um pano macio sem fiapos para limpar com cuidado os quatro pentes (1). Aplique o produto como ilustrado, usando uma parte limpa do aplicador a cada passada.



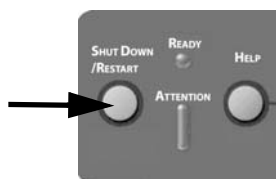
3. Feche a tampa superior.



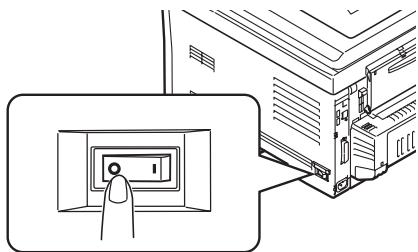
## Manutenção (cont.)

### Limpeza dos roletes de alimentação da bandeja MF

1. Se uma unidade de disco rígido opcional estiver instalada na impressora, pressione e mantenha pressionado o botão Shut Down/Restart no painel de controle por 3 segundos e aguarde até o display exibir uma mensagem informando que a impressora pode ser desligada. Caso contrário, vá para a próxima etapa. .

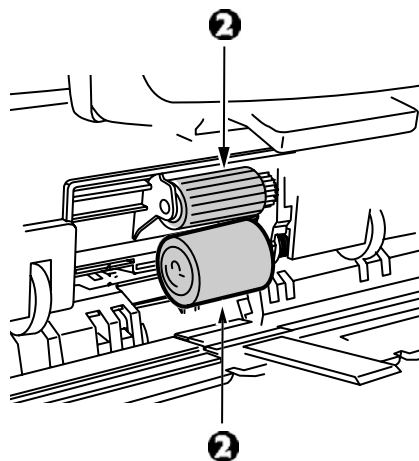
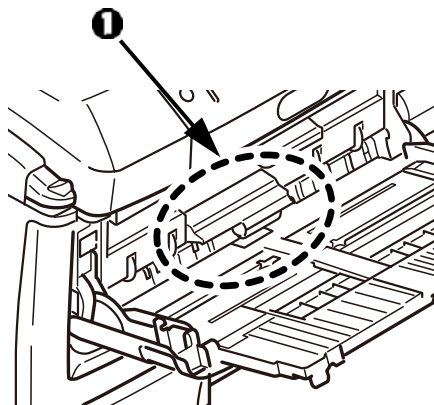


2. Desligue a impressora.



3. Retire toda a mídia de impressão presente na bandeja multifuncional.

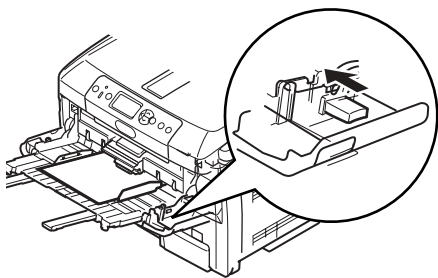
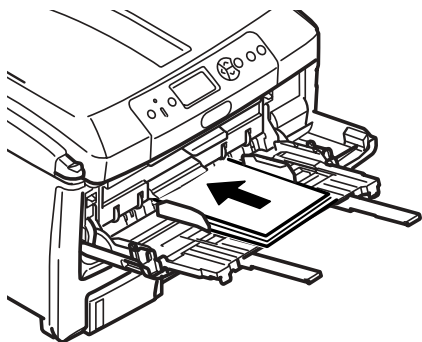
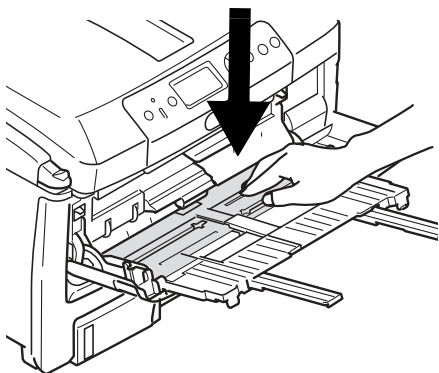
4. Levante a cobertura dos roletes (1) e limpe os dois roletes de alimentação do papel (2) com um pano macio ligeiramente umedecido com água.



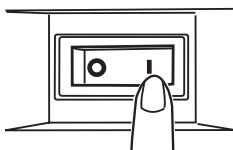
## Manutenção (cont.)

### Limpeza dos roletes de alimentação da bandeja multifuncional

5. Recoloque a mídia de impressão na bandeja multifuncional.



6. Ligue a impressora.

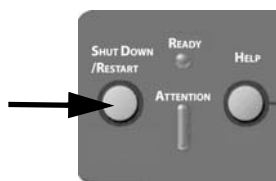




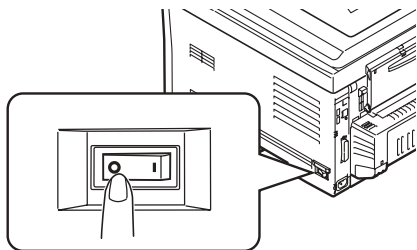
## Manutenção (cont.)

### Limpeza dos roletes de alimentação da bandeja 1

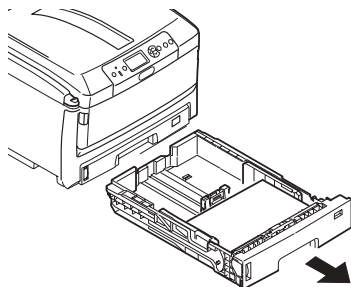
1. Se uma unidade de disco rígido opcional estiver instalada na impressora, pressione e mantenha pressionado o botão Shut Down/Restart no painel de controle por 3 segundos e aguarde até o display exibir uma mensagem informando que a impressora pode ser desligada. Caso contrário, vá para a próxima etapa.



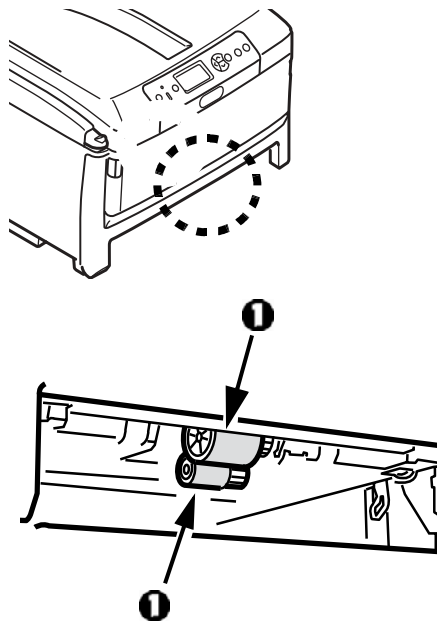
2. Desligue a impressora.



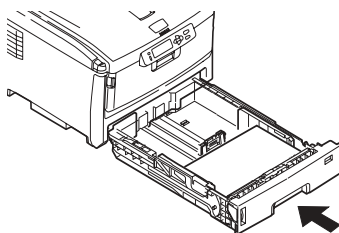
3. Retire a bandeja 1 da impressora.



4. Use o espaço deixado pela remoção da bandeja 1 para limpar os dois roletes de alimentação do papel (1) com um pano macio ligeiramente umedecido com água.



5. Recoloque a bandeja 1.



6. Ligue a impressora.

---

## Manutenção (cont.)

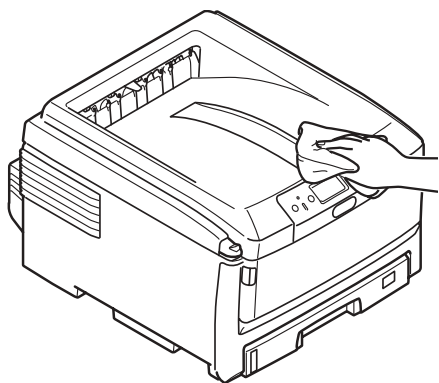
### Limpeza da impressora

---

*Importante!*

*Nunca use solventes nem detergentes fortes no gabinete: eles podem causar danos.*

Use um pano macio úmido para limpar a superfície exterior.



---

# Assistência técnica e suporte

---

## Primeiro ...

Consulte a loja onde adquiriu a impressora.

## Outros recursos da Oki

- Visite nosso site multilíngüe na Web: [WWW.OKIPRINTINGSOLUTIONS.COM](http://WWW.OKIPRINTINGSOLUTIONS.COM).
- Visite [my.okidata.com](http://my.okidata.com) (somente em inglês).
- Ligue para 55-11-3444-6747.
- e-mail: [okidata@okidata.com.br](mailto:okidata@okidata.com.br).

---

OKI é uma marca registrada da Oki Electric Industry Company, Ltd.

Windows é uma marca registrada ou marca comercial da Microsoft Corporation nos Estados Unidos e em outros países.