

B410d/B410dn/B420dn/B430dn

Setup Guide
Guide d'installation
Guía de Instalación
Guia de Configuração

Table of Contents

Check Package Contents	3
Prepare a Location	3
Set Up the Printer	3
Prepare Image Drum Cartridge	4
Install Toner Cartridge	4
Load Paper	5
Insert Power Cable	6
Computer Connection	6
Install Software	7
B410d - Windows® Setup	7
B410dn - Windows Setup	8
B420dn and B430dn - Windows Setup	10
Macintosh®	11

Table des matières

Vérification du contenu de l'emballage	13
Préparation d'un emplacement	13
Configuration de l'imprimante	13
Préparation de la cartouche de tambour d'image	14
Installation de la cartouche de toner ...	14
Chargement du papier	15
Installation du cordon d'alimentation ..	16
Connexion à l'ordinateur	17
Installation des logiciels	18
B410d – Installation sous Windows® ..	18
B410dn – Installation sous Windows .	20
B420dn et B430dn – Installation sous Windows	22
Macintosh®	24

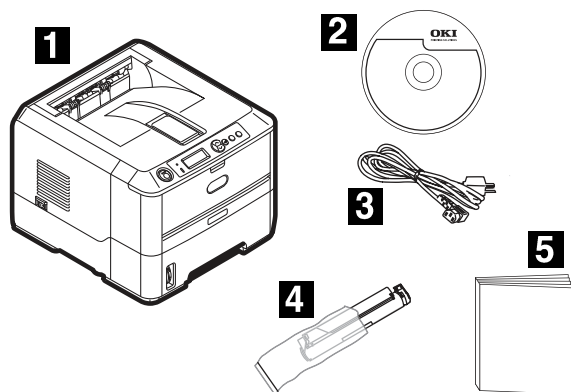
Contenido

Verifique el contenido de la caja	26
Prepare el lugar	26
Instale la impresora	26
Preparar el Cartucho de cilindro de imagen	27
Instalar cartucho de tóner	27
Cargar papel	28
Conectar el cable de alimentación	29
Conexión a la computadora	29
Instalación de software	30
Instalación bajo Windows® de B410d ..	30
Instalación bajo Windows de B410dn .	32
Instalación bajo Windows de B420dn ó B430dn	33
Macintosh®	35

Sumário

Inspeção o conteúdo da embalagem ..	37
Prepare o local de instalação	37
Instale a impressora	37
Prepare o cartucho do cilindro OPC	38
Instale o cartucho de toner	38
Coloque o papel	39
Insira o cabo de alimentação	40
Conexão do computador	40
Instale o software	41
B410d – Instalação em Windows	41
B410dn – Instalação em Windows	43
B420dn e B430dn – Instalação em Windows	44
Macintosh®	46

Check Package Contents

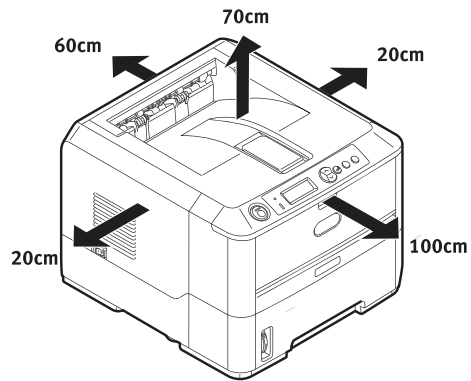
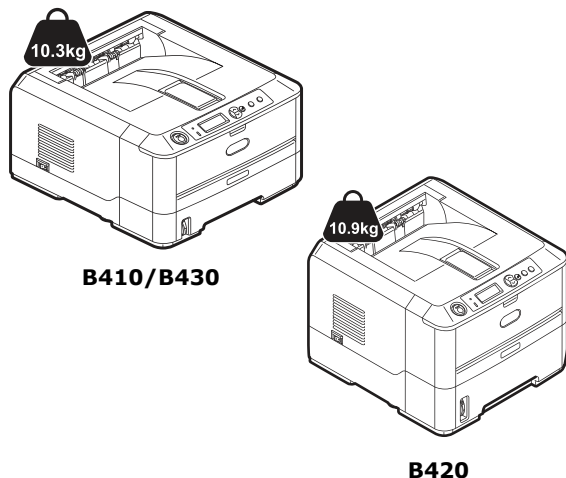


- 1 Printer
- 2 CD-ROM
- 3 Power Cable
- 4 Toner Cartridge
- 5 Black light-shield bag (to protect drum/toner cartridge if unit is shipped)
- 6 This Setup Guide (not shown)
- 7 Safety, Warranty, Regulatory Information booklet (not shown)

Note: We recommend you keep your packing materials and carton in case you need to ship or transport the unit.

Prepare a Location

Note: Space requirements are approximate.



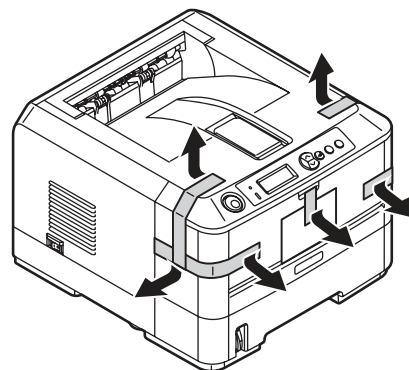
Set Up the Printer

Lift printer and place it on the selected location. The printer weighs approximately 24 lbs.

IMPORTANT!

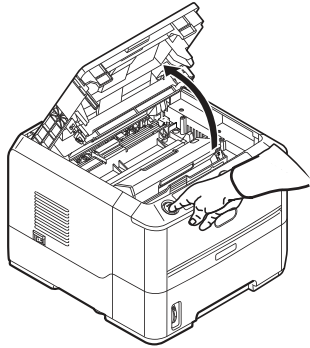
Other safety information is contained in the Safety, Warranty and Regulatory Information booklet supplied with this product and should be read prior to setting up the printer.

- 1 Remove all shipping tape.
- 2 Remove any packing materials.

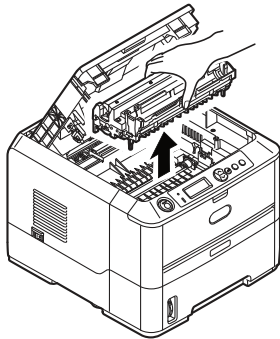


Prepare Image Drum Cartridge

- 1 Press button and lift the top cover.



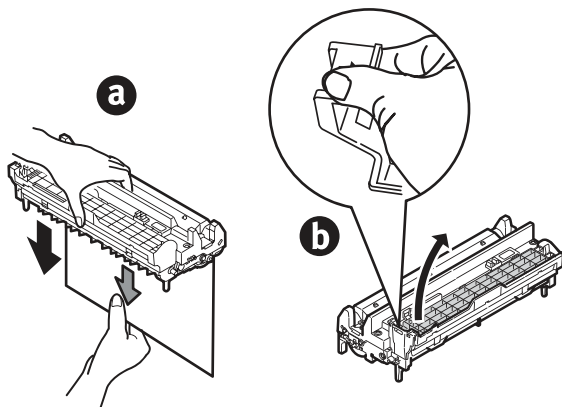
- 2 Lift the drum cartridge from printer.



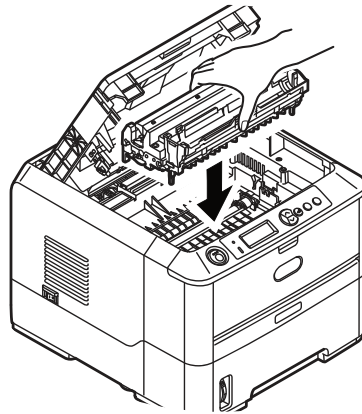
*Note: Do not expose cartridge to light for more than **5 minutes**.*

Note: Do not touch shiny green surface at bottom of drum cartridge.

- 3 Lift tape, then pull out protective paper as shown below (a). Lift out and discard shipping restraint (b).

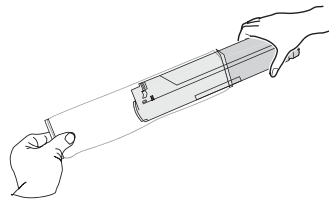


- 4 Reinstall drum cartridge in the printer.

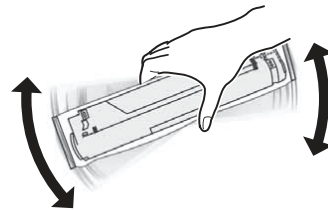


Install Toner Cartridge

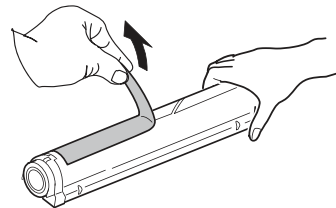
- 1 Unpack the toner cartridge.



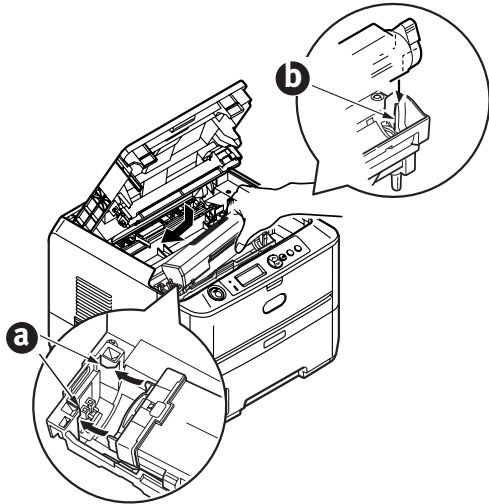
- 2 Shake the cartridge several times vertically and horizontally to distribute toner.



- 3 Holding the cartridge in a horizontal position, slowly peel off the tape.



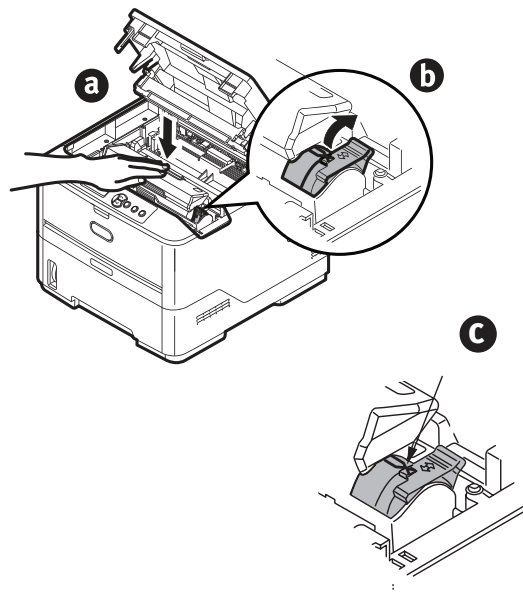
- 4** Hold the cartridge, peel-off side down, with the (blue) knob on the right. Tilt the cartridge slightly and insert the left side under the protrusions (a) on the image drum cartridge.



- 5** Lower the right side, aligning the slot in the toner cartridge with the guide post of the image drum (b). Push the toner cartridge down completely until it snaps into place.

- 6** Holding the toner cartridge down so it does not pop up (a), turn the (blue) knob (b) in the direction show.

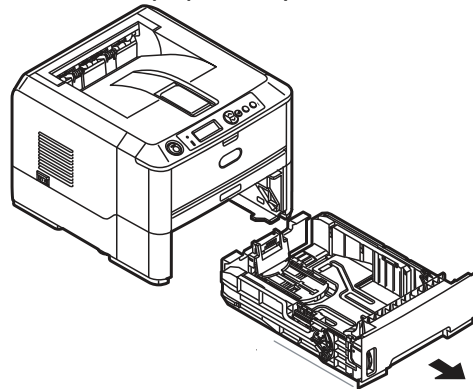
Note: The arrow on the knob should align with the arrow on the drum cartridge (c).



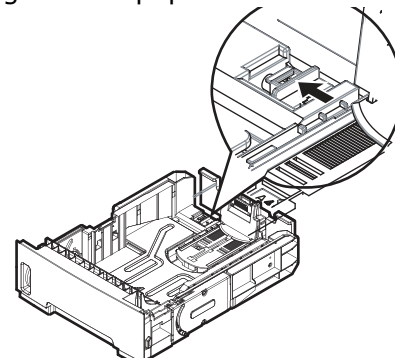
- 7** Close the top cover.

Load Paper

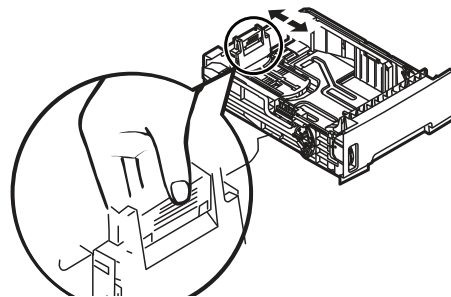
- 1** Pull out the paper tray.



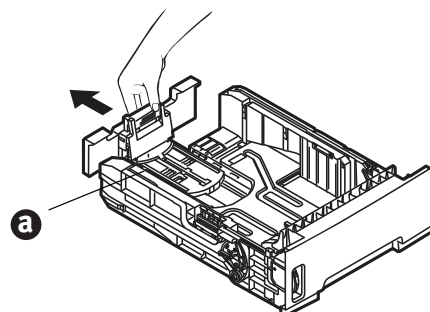
- 2** Set guides to paper width.



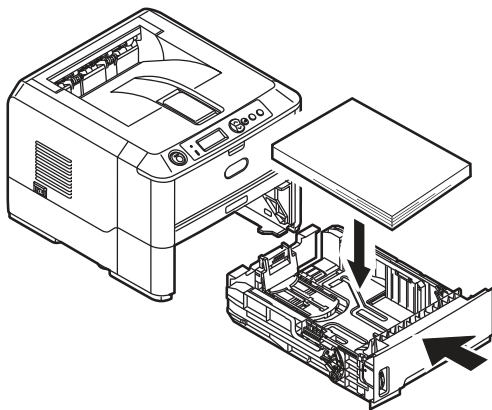
- 3** Adjust guide for paper length.



Note: For legal size paper, slide the release lever (a) to the left while pulling out the paper guide to the LGL position.



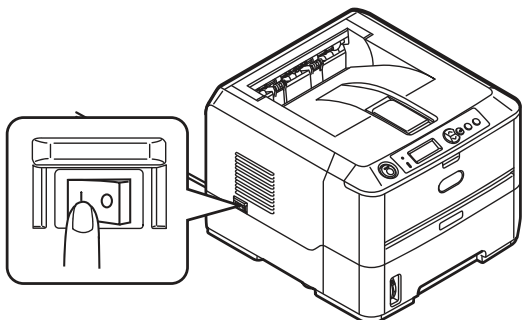
- 4 Load paper (face down and top edge towards the front for letterhead paper). Be sure guides are snug against the paper and are locked in place.



- 5 Close the paper tray.

Insert Power Cable

Insert the power cable and turn the printer ON.



WARNING!

Be sure to use the 15A AC power cord supplied with the printer. Use of a power cord NOT supplied with this printer, or an extension cord, may result in overheating, and could be a safety hazard.

CAUTION!

To prevent fire or shock hazards, connect the power plug only to a properly rated power outlet.

CAUTION!

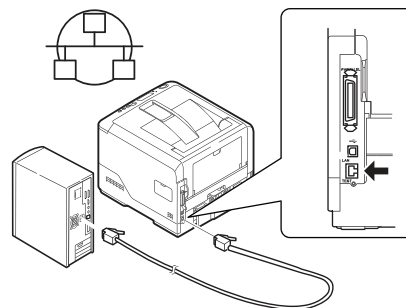
Do not connect this product to an uninterruptible power supply (UPS). For further information please contact Oki Data at 1-800-OKIDATA or www.okidata.com.

Computer Connection

Note: Interface cables are not supplied.

Install Network Cable

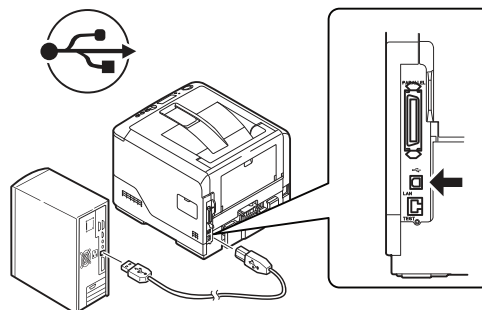
Connect the network cable between the printer network port and the Ethernet hub or router.



USB Connection

Note: If installing for Windows® with USB connection, install the software BEFORE installing the USB cable. See "Install Software" on page 7.

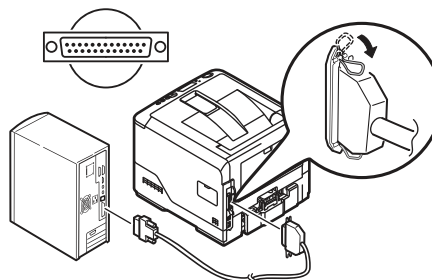
Connect the USB cable between the printer USB port and the computer.



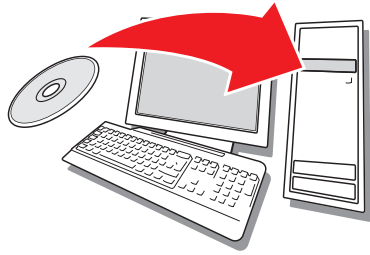
Parallel Connection

Note: Requires UL approved bi-directional (IEEE 1284 compliant) cable.

Connect the Parallel cable between the printer's Parallel port and the computer.



Install Software



B410d - Windows® Setup

Install the Driver

- 1 Insert the CD in the CD-ROM drive. The CD will autorun.
- 2 Select your language.
- 3 If you accept the license agreement, click I Agree.
- 4 Select Driver Setup from the Menu bar then click Install Driver.
- 5 Select Local printer.
- 6 Select the Port: USB or LPT1 (Parallel)
- 7 Select B410.
- 8 Follow the on-screen instructions.

Test the Printer Driver Installation

To make sure the printer driver is correctly installed, print a test page:

- 1 On the Windows taskbar click Start>Settings>Printers.
- 2 Right-click the printer model then click Properties.
- 3 Click the Print Test Page button. Reinstall the driver if the installation failed.

Install Utilities and Downloads

Note: You must be connected to the Internet to install Internet downloads.

- 1 Select Optional Utilities or Internet Downloads from the CD menu bar.
- 2 Click on the utilities and downloads you want to install and follow the on-screen instructions.

To Change the Display Language

The default language used by your printer for display messages is English. To change it:

- 1 Select Optional Utilities>Change the Printer Display Language from the CD menu bar.
- 2 Follow the on-screen instructions.

Install the User Guide

- 1 Select Driver Setup from the CD menu bar.
- 2 Click Install User's Guide.
- 3 Follow the on-screen instructions to install the manual on your computer.
- 4 To view the manual, click Start>Programs>OkiData B410d/B410dn/B420dn/B430dn User Guide.

Note: To open the on-line user guide, you must have Adobe® Acrobat® Reader 5.0 or higher installed.

Activate Printer Options

If you have an optional paper tray installed, it must be activated in the printer driver.

- 1 Click Start>Settings>Printers on the Windows task bar.
- 2 Right-click the printer icon and choose Properties.
- 3 Click on the Device Options tab.
- 4 Check Lower Cassette.
- 5 Click OK to activate the settings.

Note: If optional memory is installed, follow the installation instructions provided with the memory card.

Printer Menu Setup Tool

The Printer Menu Setup Tool allows you to view and change the printer's internal settings. You can think of this as the software equivalent of the LCD operator panel.

The settings are grouped into categories or "menus" such as Information Menu or Print Menu.

Note: The settings in the Menu can be overridden by the settings in the printer driver or your software application.

Using the Printer Menu Setup Tool

From the Windows task bar select Start>Programs>Okidata> Printer Menu Setup Tool. The Printer Menu displays.



To print the Menu Map settings:

- 1 Expand the Information Menu.
- 2 Click on Print Menu Map then click Execute.

You can also print the menu from the printer's operator panel using the Online button:

- 1 Press the Online button to take the printer off-line.
- 2 Press and hold down the Online button for at least four seconds, but less than seven seconds.
- 3 The printer prints a list of the menu settings and a demo print page.

For additional information about your printer, see the online User's Guide.

B410dn - Windows Setup

Install the Driver on a Network

Print the Menu Map

- 1 Press the Online button to take the printer off-line.
- 2 Press and hold down the Online button for at least four seconds, but less than seven seconds.
- 3 The printer prints a list of the menu settings and a demo print page.

Keep these sheets handy: they contain information you need to set up the printer on your network.

Install the Driver

- 1 Insert the CD in the CD-ROM drive. The CD will autorun.
- 2 Select your language.
- 3 If you accept the license agreement, click I Agree.
- 4 Select Driver Setup then click Install Driver.
- 5 Select network printer.
- 6 Select Directly to the network using TCP/IP.
- 7 Select Search Address to locate the printer on the network, or enter the IP address. The IP address is found on the Print Menu Map in the Network Menu.
- 8 Follow the on-screen instructions.

Test the Printer Driver Installation

To make sure the printer driver is correctly installed, print a test page:

- 1 On the Windows taskbar click Start/Settings/Printers.
- 2 Right-click the printer model then click Properties.
- 3 Click the Print Test Page button. Reinstall the driver if the installation failed.

Install Utilities and Downloads

Note: You must be connected to the Internet to install Internet downloads.

- 1 Select Optional Utilities or Internet Downloads from the CD menu bar.
- 2 Click on the utilities and downloads you want to install and follow the on-screen instructions.

To Change the Display Language

The default language used by your printer for display messages is English. To change it:

- 1 Select Optional Utilities>Change the Printer Display Language from the CD menu bar.
- 2 Follow the on-screen instructions.

Install the User Guide

- 1 Select Driver Setup from the CD installer menu bar.
- 2 Click Install User's Guide.
- 3 Follow the on-screen instructions to install the manual on your computer.
- 4 To view the manual, click Start>Programs>OkiData B410d/B410dn/B420dn/B430dn User Guide.

Note: To open the on-line user guide, you must have Adobe® Acrobat® Reader 5.0 or higher installed.

To Activate Printer Options on a Network Setup

If you have an optional paper tray or additional memory installed, it must be activated in the printer driver.

- 1 Click Start>Settings>Printers on the Windows task bar.
- 2 Right-click the printer icon and choose Properties.
- 3 Click on the Device Options tab.
- 4 Click the Get Printer Settings bar. A list of printer settings appears.
- 5 Click OK to activate the settings.

Configure Settings Using a Web Browser (optional)

If you are working in a TCP/IP-enabled environment, you can use a web browser to display the printer or job printing status, and to change settings on an embedded web page.

- 1 Activate your web browser (Microsoft Explorer®/™, Netscape Navigator™ 4.4 or higher, Mozilla®, Firefox®).
- 2 Enter the IP Address for the printer (locate the address on the Print Menu Map in the Network Menu).
- 3 When the web page appears, select from the categories in the menu list.

Note: The web page facility is only available when the printer is connected to the network.

Installing the Driver for a USB or Parallel Setup

To install the B410dn on a USB or Parallel setup, follow the instructions on page 7 for installing the printer driver on the B410d.

Printer Menu Setup Tool







The Printer Menu Setup Tool allows you to view and change the printer's internal settings. For information, see page 7.

For additional information about your printer, see the online User's Guide.

B420dn and B430dn - Windows Setup

Installing the Driver on a Network

Print the Menu Map

- 1 Press Menu  or  on the control panel to select the Information Menu.
- 2 Press  button.
- 3 Press the  or  button to select Network.
- 4 Press  button to print the Menu Map. Keep these sheets handy: they contain information you need to set up the printer on your network.

Install the Driver

- 1 Insert the CD in the CD-ROM drive. The CD will autorun.
- 2 Select your language.
- 3 If you accept the license agreement, select I Accept.
- 4 Select the Driver Setup tab then click Install Driver.
- 5 Select network printer.
- 6 Select Directly to the network using TCP/IP.
- 7 Enter the IP address (locate the address on the Print Menu Map in the Network Menu) or select Search Address to locate the printer on the network.
- 8 Follow the on-screen instructions.

Installing the Driver on a USB or Parallel Setup

- 1 Insert the CD in the CD-ROM drive. The CD will autorun.
- 2 Select your language.
- 3 If you accept the license agreement, select I Agree.
- 4 Select the Driver Setup tab then click Install Driver.
- 5 Select Local Printer.
- 6 Select the Port: USB or LPT1 (Parallel).
- 7 Select printer model.
- 8 If your model is a B430dn, select printer emulation type (PCL or PS).
- 9 Follow the on-screen instructions.

Test the Printer Driver Installation

To make sure the printer driver is correctly installed, print a test page:

- 1 On the Windows taskbar click Start/Settings/Printers.
- 2 Right-click the printer model then click Properties.
- 3 Click the Print Test Page button. Reinstall the driver if the installation failed.

Install Utilities and Downloads

Note: You must be connected to the internet to install Internet downloads.

- 1 Select Optional Utilities or Internet Downloads from the CD installer menu bar.
- 2 Click on the utilities and downloads you want to install and follow the instructions.

To Change the Display Language

The default language used by your printer for display messages is English. To change it:

- 1 Select Optional Utilities>Change the Printer Display Language from the CD menu bar.
- 2 Follow the on-screen instructions.

Install the User Guide

- 1 Select the Driver Setup from the CD installer menu bar.
- 2 Click Install User's Guide.
- 3 Follow the on-screen instructions to install the manual on your computer.
- 4 To view the manuals, click Start>Programs>OkiData B410d/B410dn/B420dn/B430dn User Guide.

Note: To open the on-line user guide, you must have Adobe® Acrobat® Reader 5.0 or higher installed.

Activate Printer Options on a Network Setup

If you have an optional paper tray installed, it must be activated in the printer driver.

- 1 Click Start>Settings>Printers on the Windows task bar.
- 2 Right-click the printer icon and choose Properties.

- 3 Click on the Device Options tab.
- 4 Click the Get Printer Settings bar. A list of printer settings appears.
- 5 Click OK to activate the settings.

Activate Printer Options on a non-Network Setup

- 1 Follow steps 1 to 3 above.
- 2 Check Lower Cassette.
- 3 Click OK to activate the settings.

Note: If optional memory is installed, follow the installation instructions provided with the memory card.

Configure Settings Using a Web Browser (optional)

If you are working in a TCP/IP-enabled environment, you can use a web browser to display the printer or job printing status, and to change settings on an embedded web page.

- 1 Activate your web browser (Microsoft Explorer^{®/™}, Netscape Navigator[™] 4.4 or higher, Mozilla[®], Firefox[®]).
- 2 Enter the IP Address for the printer. (Locate the address on the Print Menu Map in the Network Menu.
- 3 When the web page appears, select from the categories in the menu list.

Macintosh[®]

The printer drivers support OS 10.2.8 and above.

Connect the cable

See "Computer Connection" on page 6.

Note: Printer operation is not assured if another USB compatible device is connected concurrently with it.

Install the Printer Driver

- 1 Turn on the printer, then turn on the computer.
- 2 Place CD in the CD-ROM drive.
- 3 Double-click the CD icon that appears on the desktop.
- 4 Open the MAC folder.
- 5 Open the OSX folder.
- 6 Open the Driver Installer folder.
- 7 Open the Multilingual folder. The installer will automatically install the language selected in the OS.
- 8 Select PCL, or select PS (B430 only).
- 9 Follow the on-screen instructions.

Add the Printer

- 1 Run the Print Center or Print Setup Utility.
- 2 Click Add.
- 3 Click More Printers.
- 4 Browse to select OKI USB, OKI TCP/IP or Bonjour from the drop-down menu.

Note: If you are using USB, select OKI USB and disregard step 3.

- 5 Enter the printer's IP address (B410dn/B420dn/B430dn models).
- 6 Quit the Print Center.

Install the Utilities

- 1 Insert the CD in the CD-ROM drive.
- 2 Double-click the CD icon that appears on the desktop.
- 3 open the Mac folder.
- 4 Double-click the OSX icon.
- 5 Double-click the Utility Installer.
- 6 Click Multilingual.
- 7 Click OSX B400 Series Utilities. Follow the on-screen instructions.
- 8 When the utilities list appears, check the utilities you want to install.

Using the Web Page to Configure the Printer (optional)

If you are working in a TCP/IP-enabled environment, you can use a web browser to display the printer or job printing status and to change settings on an embedded web page. Enter the IP Address for the printer (locate the address on the Print Menu Map in the Network Menu). Select from the categories in the menu list on the left.

Note: The web page facility is only available when the printer is connected to the network.

Install the Documentation

Note: Adobe® Acrobat® Reader 5.0 or higher is required to view the manuals.

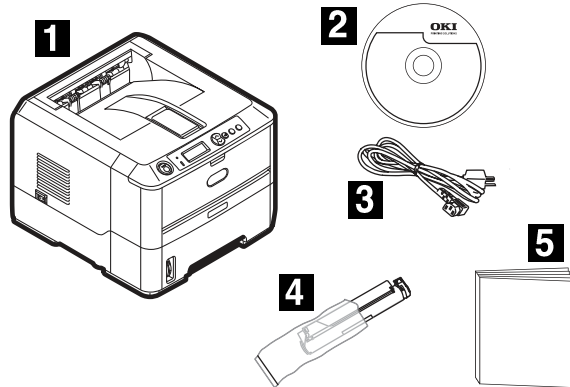
- 1 Insert the CD into your CD-ROM drive.
- 2 Double-click the CD icon that appears on the desktop.
- 3 Install the manuals from the root directory.
To load: drag the .pdf file to the desktop
To view: double-click it.

Service and Support

Available 24 hours a day, 7 days a week.

- Visit our website:
www.okiprintingsolutions.com
- Call 1-800-654-3282 (1-800-OKI-DATA)

Vérification du contenu de l'emballage

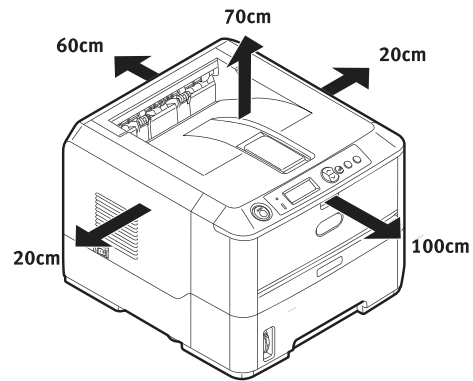
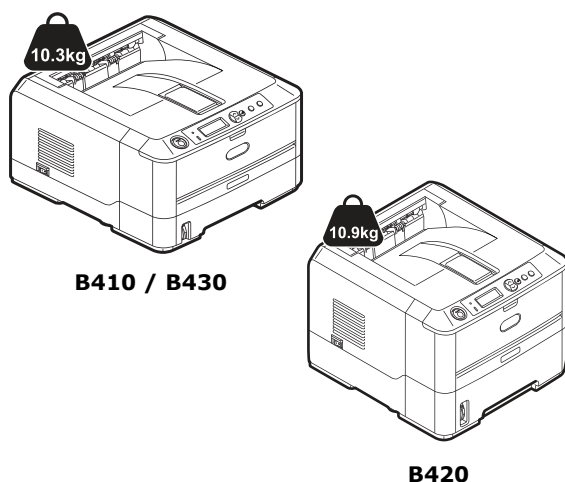


- 1 Imprimante
- 2 CD-ROM
- 3 Cordon d'alimentation
- 4 Cartouche de toner
- 5 Sac en plastique noir (pour protéger la cartouche tambour/toner si expédiée)
- 6 Le présent Guide d'installation (non montré)
- 7 Livret *Safety, Warranty and Regulatory* [Sécurité, garantie et réglementation] (non montré)

Note : Conservez les matériaux d'emballage et le carton en cas où vous auriez besoin d'expédier ou de transporter l'imprimante.

Préparation d'un emplacement

Note : Les exigences concernant l'espace requis sont approximatives.



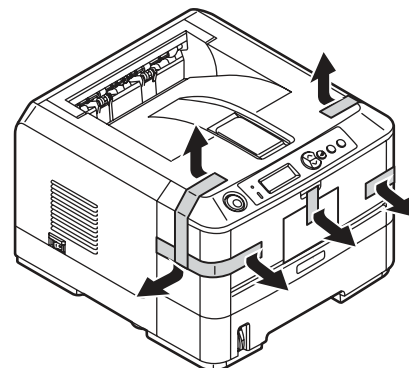
Configuration de l'imprimante

Soulevez l'imprimante et déposez-la à l'endroit sélectionné. Le poids de l'imprimante est d'environ 24 lb.

IMPORTANT!

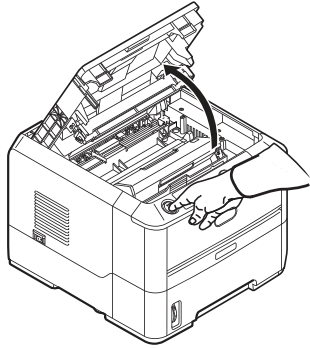
*D'autres renseignements de sécurité sont indiqués dans le livret *Safety, Warranty and Regulatory* [Sécurité, garantie et réglementation] fourni avec l'imprimante et devraient être consultés avant l'installation de l'imprimante.*

- 1 Retirez tous les rubans d'expédition.
- 2 Retirez tout matériau d'emballage.

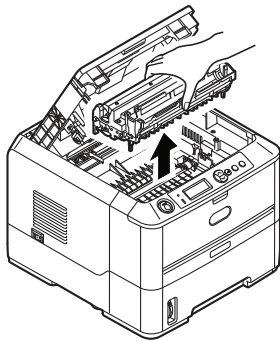


Préparation de la cartouche de tambour d'image

- 1 Appuyez sur le bouton et soulevez le capot supérieur.



- 2 Sortez la cartouche de tambour d'image de l'imprimante.

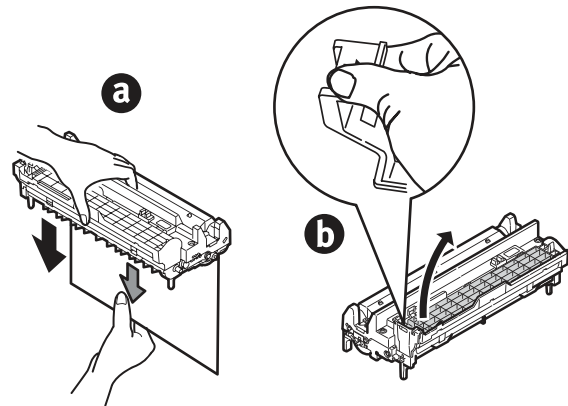


*Note : N'exposez pas la cartouche à la lumière pendant plus de **cinq minutes**.*

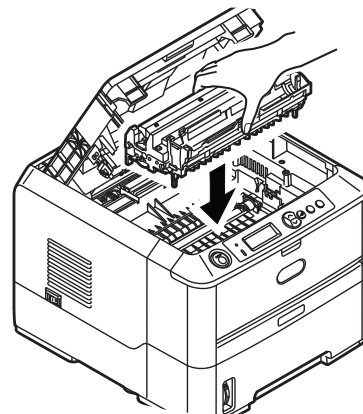
Note : Ne touchez pas à la surface verte glacée au bas de la cartouche.

- 3 Retirez le ruban, puis tirez la feuille de protection comme montré ci-dessous (a). Retirez la protection du

logement du toner et mettez-la au rebut (b).

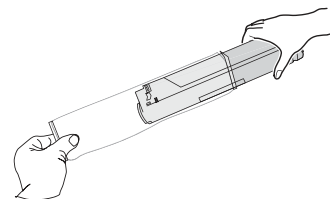


- 4 Réinstallez la cartouche de tambour d'image dans l'imprimante.

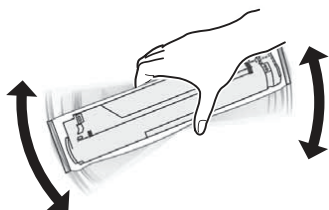


Installation de la cartouche de toner

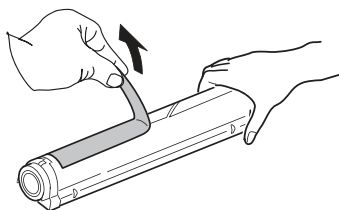
- 1 Sortez la cartouche de toner de son emballage.



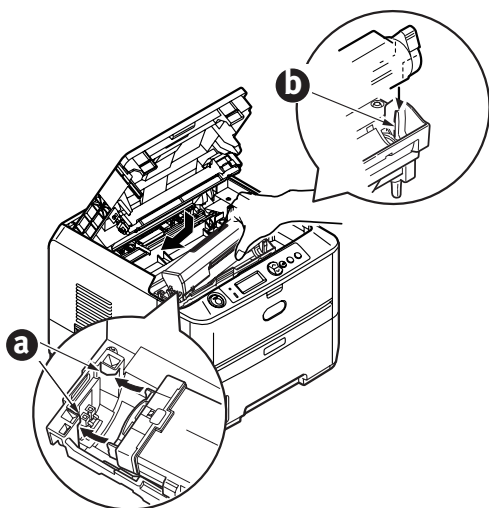
- 2** Secouez à plusieurs reprises la cartouche de gauche à droite pour répartir le toner dans la cartouche.



- 3** Maintenez la cartouche en position horizontale et retirez le ruban.

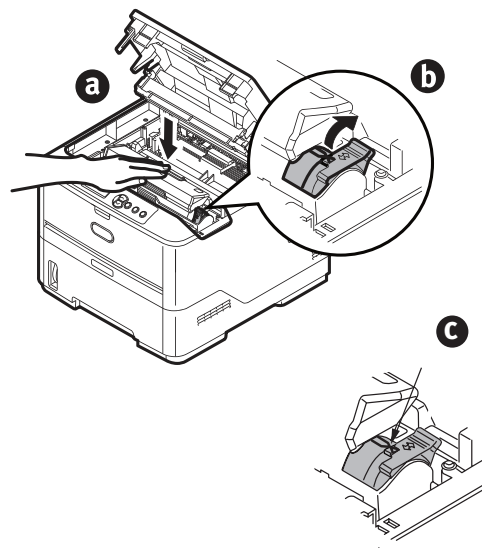


- 4** Maintenez la cartouche, avec le côté qui comportait le ruban vers le bas et la poignée bleue à droite. Inclinez légèrement la cartouche et insérez son côté gauche sous les protubérances (a) de la cartouche de tambour d'image.



- 5** Insérez le côté droit de la cartouche en alignant la fente de la cartouche de toner avec la tige sur le tambour d'image (b). Poussez vers le bas sur la cartouche de toner pour l'enclencher en place.
- 6** Maintenez la cartouche de toner pour ne pas qu'elle ressorte (a), puis tournez la poignée bleue (b) dans le sens indiqué.

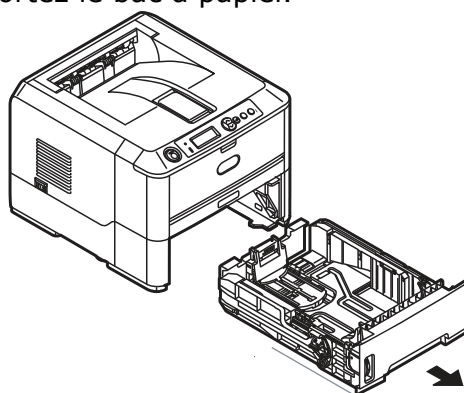
Note : La flèche sur la poignée doit être alignée avec la flèche indiquée sur la cartouche de tambour d'image (c).



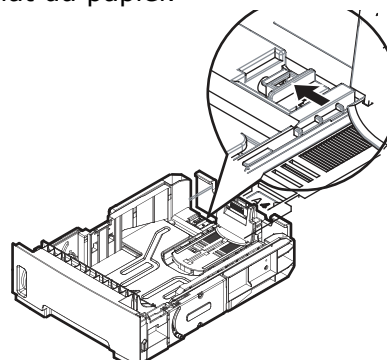
- 7** Fermez le capot supérieur.

Chargement du papier

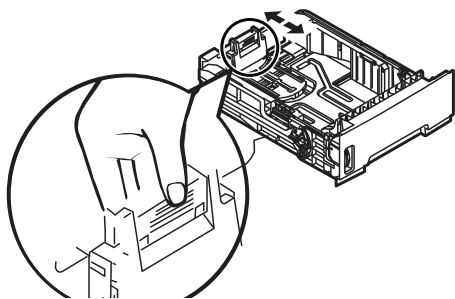
- 1** Sortez le bac à papier.



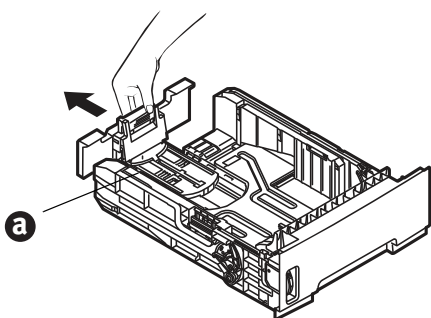
- 2** Réglez les guides pour convenir au format du papier.



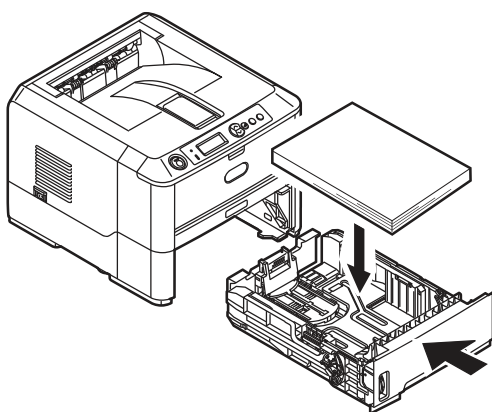
- 3** Réglez le guide pour convenir à la longueur du papier.



Note : Pour le papier de format légal, couisissez le levier (a) vers la gauche et maintenez-le en place et tirez le guide-papier pour le placer à la position LGL.



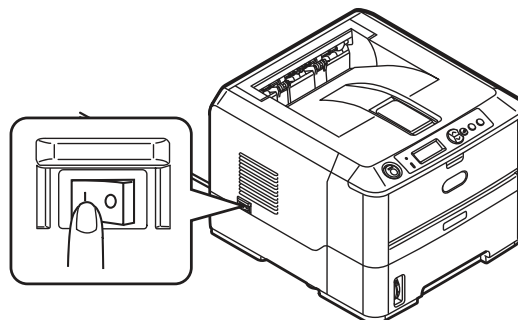
- 4** Chargez le papier à en-tête face imprimée vers le bas, bord supérieur vers l'avant du bac. Assurez-vous que les guides sont appuyés contre le papier et le maintiennent bien en place.



- 5** Fermez le bac à papier.

Installation du cordon d'alimentation

Installez le cordon d'alimentation et mettez l'imprimante sous tension.



AVERTISSEMENT!

Utilisez uniquement le cordon d'alimentation CA de 15 A fourni avec l'imprimante. L'utilisation d'un cordon AUTRE que celui fourni avec le produit ou d'une rallonge peut entraîner une surchauffe de l'appareil et constituer un danger.

ATTENTION!

Afin de prévenir les risques d'incendie et d'électrocution, branchez le cordon d'alimentation uniquement dans une prise électrique appropriée.

ATTENTION!

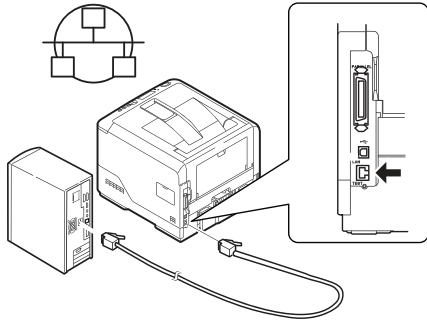
Ne raccordez pas l'appareil à un dispositif d'alimentation sans coupure. Pour plus d'information, communiquez avec Oki Data au 1 800 OKIDATA ou visitez www.okidata.com.

Connexion à l'ordinateur

Note : Les câbles d'interface ne sont pas fournis.

Installation du câble réseau

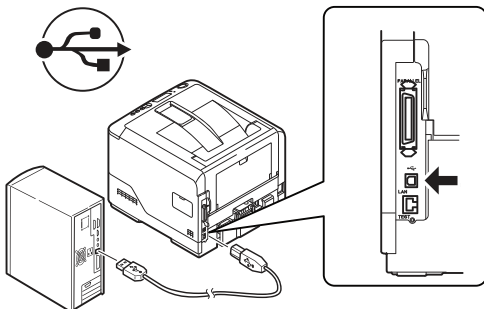
Branchez le câble réseau dans le port réseau de l'imprimante et au concentrateur ou routeur Ethernet.



Connexion USB

USB Windows – Installez les logiciels de l'imprimante AVANT d'installer le câble USB. See "Installation des logiciels" on page 18.

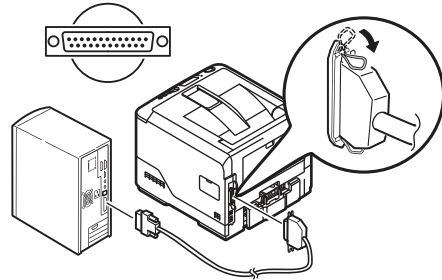
Branchez le câble USB dans les ports USB de l'imprimante et de l'ordinateur.



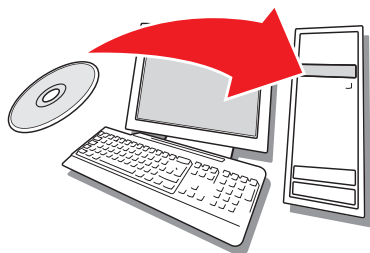
Connexion parallèle

Note : Un câble parallèle bidirectionnel homologué UL (conforme IEEE 1284) est requis.

Branchez le câble parallèle dans les ports parallèles de l'imprimante et de l'ordinateur.



Installation des logiciels



B410d – Installation sous Windows®

Installation du pilote

- 1 Insérez le CD dans l'unité CD-ROM. Le CD est lancé automatiquement.
 - 2 Sélectionnez la langue d'installation.
 - 3 Si vous acceptez le contrat de licence, cliquez sur *I Agree* [J'accepte].
 - 4 Sélectionnez *Driver Setup* [Installation du pilote] dans la barre de menus, puis cliquez sur *Install Driver* [Installer le pilote].
 - 5 Sélectionnez *Local printer* [Imprimante locale].
 - 6 Sélectionnez le port : *USB* ou *LPT1* (parallèle).
- Note : Le câble parallèle doit être conforme IEEE 1284 et homologué UL.*
- 7 Sélectionnez *B410*.
 - 8 Observez les directives à l'écran.

Essai du pilote d'imprimante

Afin de s'assurer que le pilote d'imprimante a bien été installé, imprimez une page de test :

- 1 Dans la barre des tâches de Windows, cliquez sur *Start* [Démarrer] > *Settings* [Paramètres] > *Printers* [Imprimantes].
- 2 Cliquez avec le bouton droit de la souris sur l'icône de l'imprimante, puis sélectionnez *Properties* [Propriétés].
- 3 Cliquez sur le bouton *Print Test Page* [Imprimer une page de test]. Réinstallez le pilote en cas de problème.

Installation des utilitaires et téléchargements

Note : Un accès à Internet est requis pour effectuer les téléchargements.

- 1 Sélectionnez *Optional Utilities* [Utilitaires optionnels] ou *Internet Downloads* [Téléchargements Internet] dans la barre de menus du CD.
- 2 Cliquez sur les utilitaires et les téléchargements que vous désirez installer, puis observez les directives à l'écran.

Pour modifier la langue d'affichage

La langue d'affichage par défaut utilisée pour l'affichage des messages sur le panneau de commande de l'imprimante est l'anglais. Pour la modifier, effectuez ce qui suit :

- 1 Sélectionnez *Optional Utilities* [Utilitaires optionnels] > *Change the Printer Display Language* [Modifier la langue d'affichage de l'imprimante] dans la barre de menus du CD.
- 2 Observez les directives à l'écran.

Installation du Guide de l'utilisateur

- 1 Sélectionnez *Driver Setup* [Installation du pilote] dans la barre de menus.
- 2 Cliquez sur *Install User's Guide* [Installer le Guide de l'utilisateur].
- 3 Observez les directives à l'écran pour installer le Guide sur votre ordinateur.
- 4 Pour consulter le Guide de l'utilisateur, cliquez sur *Start* [Démarrer] > *Programs* [Programmes] > *OkiData B410d/B410dn/B420dn/B430dn User Guide* [Guide de l'utilisateur B410d/B410dn/B420dn/B430dn OkiData].

Note : Pour accéder au Guide de l'utilisateur en ligne, la version 5.0 ou une version ultérieure d'Acrobat® Reader d'Adobe® doit être installée.

Activation des options de l'imprimante

Si un bac à papier optionnel a été installé, celui-ci doit être activé dans le pilote d'imprimante.

- 1 Cliquez sur *Start* [Démarrer] > *Settings* [Paramètres] > *Printers* [Imprimantes] dans la barre des tâches de Windows.
- 2 Cliquez avec le bouton droit de la souris sur l'icône de l'imprimante, puis sélectionnez *Properties* [Propriétés].
- 3 Cliquez sur l'onglet *Device Options* [Options du périphérique].
- 4 Cochez la case *Lower Cassette* [Bac inférieur].
- 5 Cliquez sur *OK* pour activer les paramètres.

Note : Lorsque de la mémoire optionnelle est installée, observez les directives d'installation fournies avec la carte mémoire.

Outil *Printer Menu Setup Tool* [Outil de configuration des menus de l'imprimante]

L'outil *Printer Menu Setup Tool* [Outil de configuration des menus de l'imprimante] permet d'afficher et de modifier les paramètres internes de l'imprimante. Il est comparable, sous une forme logicielle, au panneau de commande à ACL.

Les paramètres sont regroupés en catégories ou « menus » tels que *Information Menu* [Menu Information] ou *Print Menu* [Menu Imprimer].

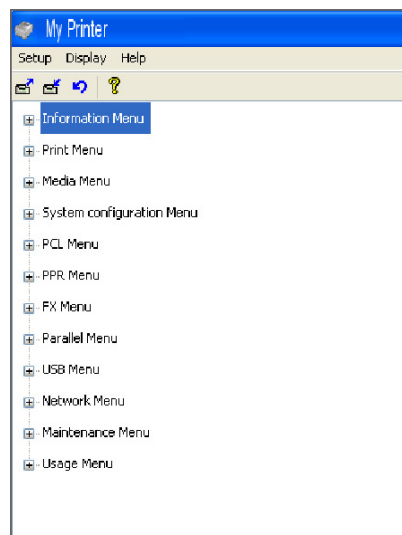
Note : Les paramètres du pilote d'imprimante ou de votre application logicielle peuvent avoir préséance sur les paramètres des menus de l'imprimante.

Utilisation de l'outil *Printer Menu Setup Tool* [Outil de configuration des menus de l'imprimante]

Dans la barre des tâches de Windows, cliquez sur *Start* [Démarrer] > *Programs* [Programmes] > *Okidata* > *Printer Menu Setup Tool* [Outil de configuration des menus de l'imprimante]. Le menu *Printer Menu* [Menu Imprimante] s'affiche.

Pour imprimer la liste des paramètres des menus :

- 1 Cliquez sur *Information Menu* [Menu Information].
- 2 Cliquez sur *Print Menu Map* [Imprimer mappe menu], puis cliquez sur *Execute* [Exécuter].



Vous pouvez également imprimer les paramètres des menus en utilisant le bouton *Online* [En ligne] du panneau de commande de l'imprimante :

- 1 Appuyez sur le bouton *Online* [En ligne] pour mettre l'imprimante hors ligne.
- 2 Maintenez le bouton *Online* [En ligne] enfoncé pendant au moins quatre secondes, mais moins de sept secondes.
- 3 La liste des paramètres des menus ainsi qu'une page de démonstration sont imprimées.

Pour des renseignements supplémentaires sur l'imprimante, consultez le Guide de l'utilisateur en ligne.

B410dn – Installation sous Windows

Installation réseau du pilote d'imprimante

Impression de la liste des paramètres des menus

- 1 Appuyez sur le bouton *Online* [En ligne] pour mettre l'imprimante hors ligne.
- 2 Maintenez le bouton *Online* [En ligne] enfoncé pendant au moins quatre secondes, mais moins de sept secondes.
- 3 La liste des paramètres des menus ainsi qu'une page de démonstration sont imprimées.

Conservez ces feuilles sous la main : elles contiennent des renseignements dont vous aurez besoin pour configurer l'imprimante sur le réseau.

Installation du pilote

- 1 Insérez le CD dans l'unité CD-ROM. Le CD est lancé automatiquement.
- 2 Sélectionnez la langue d'installation.
- 3 Si vous acceptez le contrat de licence, cliquez sur *I Agree* [J'accepte].
- 4 Sélectionnez *Driver Setup* [Installation du pilote], puis cliquez sur *Install Driver* [Installer le pilote].
- 5 Sélectionnez *Network Printer* [Imprimante réseau].
- 6 Sélectionnez *Directly to the network using TCP/IP* [Directement au réseau en utilisant TCP/IP].
- 7 Sélectionnez *Search Address* [Rechercher l'adresse] pour localiser l'imprimante sur le réseau ou entrez l'adresse IP. L'adresse IP est indiquée dans l'option *Print Menu Map* [Imprimer mappe menu] du *Network Menu* [Menu Réseau].
- 8 Observez les directives à l'écran.

Essai du pilote d'imprimante

Afin de s'assurer que le pilote d'imprimante a bien été installé, imprimez une page de test :

- 1 Dans la barre des tâches de Windows, cliquez sur *Start* [Démarrer] > *Settings* [Paramètres] > *Printers* [Imprimantes].

- 2 Cliquez avec le bouton droit de la souris sur l'icône de l'imprimante, puis sélectionnez *Properties* [Propriétés].
- 3 Cliquez sur le bouton *Print Test Page* [Imprimer une page de test]. Réinstallez le pilote en cas de problème.

Installation des utilitaires et téléchargements

Note : Un accès à Internet est requis pour effectuer les téléchargements.

- 1 Sélectionnez *Optional Utilities* [Utilitaires optionnels] ou *Internet Downloads* [Téléchargements Internet] dans la barre de menus du CD.
- 2 Cliquez sur les utilitaires et les téléchargements que vous désirez installer, puis observez les directives à l'écran.

Pour modifier la langue d'affichage

La langue d'affichage par défaut utilisée pour l'affichage des messages sur le panneau de commande de l'imprimante est l'anglais. Pour la modifier, effectuez ce qui suit :

- 1 Sélectionnez *Optional Utilities* [Utilitaires optionnels] > *Change the Printer Display Language* [Modifier la langue d'affichage de l'imprimante] dans la barre de menus du CD.
- 2 Observez les directives à l'écran.

Installation du Guide de l'utilisateur

- 1 Sélectionnez *Driver Setup* [Installation du pilote] dans le menu d'installation du CD.
- 2 Cliquez sur *Install User's Guide* [Installer le Guide de l'utilisateur].
- 3 Observez les directives à l'écran pour installer le Guide sur votre ordinateur.
- 4 Pour consulter le Guide de l'utilisateur, cliquez sur *Start* [Démarrer] > *Programs* [Programmes] > *OkiData B410d/B410dn/B420dn/B430dn User Guide* [Guide de l'utilisateur B410d/B410dn/B420dn/B430dn OkiData].

Note : Pour accéder au Guide de l'utilisateur en ligne, la version 5.0 ou une version ultérieure d'Acrobat® Reader d'Adobe® doit être installée.

Activation des options de l'imprimante mise en réseau

Si un bac à papier optionnel et/ou de la mémoire supplémentaire a été installé, ils doivent être activés dans le pilote d'imprimante.

- 1 Cliquez sur *Start* [Démarrer] > *Settings* [Paramètres] > *Printers* [Imprimantes] dans la barre des tâches de Windows.
- 2 Cliquez avec le bouton droit de la souris sur l'icône de l'imprimante, puis sélectionnez *Properties* [Propriétés].
- 3 Cliquez sur l'onglet *Device Options* [Options du périphérique].
- 4 Cliquez sur *Get Printer Settings* [Obtenir les paramètres d'imprimante]. La liste des paramètres de l'imprimante s'affiche.
- 5 Cliquez sur *OK* pour activer les paramètres.

Configuration des paramètres en utilisant un navigateur Web (optionnel)

Si vous œuvrez dans un environnement TCP/IP, vous pouvez utiliser un navigateur Web pour afficher l'état de l'imprimante ou les travaux d'impression ainsi que modifier des paramètres par l'entremise d'une page Web intégrée.

- 1 Lancez votre navigateur Web (Microsoft Explorer[®]/MC, Netscape Navigator^{MC} 4.4 ou version ultérieure, Mozilla[®] ou Firefox[®]).
- 2 Entrez l'adresse IP de l'imprimante (l'adresse IP est indiquée dans l'option *Print Menu Map* [Imprimer mappe menu] du *Network Menu* [Menu Réseau]).
- 3 Lorsque la page Web s'affiche, sélectionnez parmi les catégories affichées.

Note : Cette page est accessible uniquement lorsque l'imprimante est raccordée à un réseau.

Installation du pilote pour une connexion USB ou parallèle

Pour installer le pilote d'imprimante lorsque l'imprimante B410dn est raccordée à l'aide d'une connexion USB ou parallèle, observez les directives à la page 18 pour l'installation du pilote d'imprimante B410d.

Outil *Printer Menu Setup Tool* [Outil de configuration des menus de l'imprimante]







L'outil *Printer Menu Setup Tool* [Outil de configuration des menus de l'imprimante] permet d'afficher et de modifier les paramètres internes de l'imprimante. Pour plus de renseignements, voyez la page 19.

Pour des renseignements supplémentaires sur l'imprimante, consultez le Guide de l'utilisateur en ligne.

B420dn et B430dn – Installation sous Windows

Installation réseau du pilote d'imprimante

Impression de la liste des paramètres des menus

- 1 Appuyez sur le bouton *Menu*  ou  du panneau de commande pour sélectionner *Information Menu* [Menu Information].
- 2 Appuyez sur le bouton .
- 3 Appuyez sur  ou le bouton  pour sélectionner *Network* [Réseau].
- 4 Appuyez sur le bouton  pour imprimer la liste des paramètres des menus.

Conservez ces feuilles sous la main : elles contiennent des renseignements dont vous aurez besoin pour configurer l'imprimante sur le réseau.

Installation du pilote

- 1 Insérez le CD dans l'unité CD-ROM. Le CD est lancé automatiquement.
- 2 Sélectionnez la langue d'installation.
- 3 Si vous acceptez le contrat de licence, cliquez sur *I Agree* [J'accepte].
- 4 Sélectionnez *Driver Setup* [Installation du pilote], puis cliquez sur *Install Driver* [Installer le pilote].
- 5 Sélectionnez *Network Printer* [Imprimante réseau].
- 6 Sélectionnez *Directly to the network using TCP/IP* [Directement au réseau en utilisant TCP/IP].
- 7 Entrez l'adresse IP de l'imprimante (l'adresse IP est indiquée dans l'option *Print Menu Map* [Imprimer mappe menu] du *Network Menu* [Menu Réseau]) ou sélectionnez *Search Address* [Rechercher l'adresse] pour localiser l'imprimante sur le réseau.
- 8 Observez les directives à l'écran.

Installation du pilote pour une connexion USB ou parallèle

- 1 Insérez le CD dans l'unité CD-ROM. Le CD est lancé automatiquement.
- 2 Sélectionnez la langue d'installation.
- 3 Si vous acceptez le contrat de licence, cliquez sur *I Agree* [J'accepte].
- 4 Sélectionnez *Driver Setup* [Installation du pilote], puis cliquez sur *Install Driver* [Installer le pilote].
- 5 Sélectionnez *Local printer* [Imprimante locale].
- 6 Sélectionnez le port : *USB* ou *LPT1* (parallèle).
- 7 Sélectionnez votre modèle d'imprimante.
- 8 Si le modèle de l'imprimante est B430dn, sélectionnez le type d'émulation d'imprimante (*PCL* ou *PS*).
- 9 Observez les directives à l'écran.

Essai du pilote d'imprimante

Afin de s'assurer que le pilote d'imprimante a bien été installé, imprimez une page de test :

- 1 Dans la barre des tâches de Windows, cliquez sur *Start* [Démarrer] > *Settings* [Paramètres] > *Printers* [Imprimantes].
- 2 Cliquez avec le bouton droit de la souris sur l'icône de l'imprimante, puis sélectionnez *Properties* [Propriétés].
- 3 Cliquez sur le bouton *Print Test Page* [Imprimer une page de test]. Réinstallez le pilote en cas de problème.

Installation des utilitaires et téléchargements

Note : Un accès à Internet est requis pour effectuer les téléchargements.

- 1 Sélectionnez *Optional Utilities* [Utilitaires optionnels] ou *Internet Downloads* [Téléchargements Internet] dans la barre de menus du CD.
- 2 Cliquez sur les utilitaires et les téléchargements que vous désirez installer, puis observez les directives à l'écran.

Pour modifier la langue d'affichage

La langue d'affichage par défaut utilisée pour l'affichage des messages sur le panneau de commande de l'imprimante est l'anglais. Pour la modifier, effectuez ce qui suit :

- 1 Sélectionnez *Optional Utilities* [Utilitaires optionnels] > *Change the Printer Display Language* [Modifier la langue d'affichage de l'imprimante] dans la barre de menus du CD.
- 2 Observez les directives à l'écran.

Installation du Guide de l'utilisateur

- 1 Sélectionnez *Driver Setup* [Installation du pilote] dans la barre de menus du CD.
- 2 Cliquez sur *Install User's Guide* [Installer le Guide de l'utilisateur].
- 3 Observez les directives à l'écran pour installer le Guide sur votre ordinateur.
- 4 Pour consulter le Guide, cliquez sur *Start* [Démarrer] > *Programs* [Programmes] > *OkiData B410d/B410dn/B420dn/B430dn User Guide* [Guide de l'utilisateur B410d/B410dn/B420dn/B430dn OkiData].

Note : Pour accéder au Guide de l'utilisateur en ligne, la version 5.0 ou une version ultérieure d'Acrobat® Reader d'Adobe® doit être installée.

Activation des options de l'imprimante mise en réseau

Si un bac à papier optionnel a été installé, celui-ci doit être activé dans le pilote d'imprimante.

- 1 Cliquez sur *Start* [Démarrer] > *Settings* [Paramètres] > *Printers* [Imprimantes] dans la barre des tâches de Windows.
- 2 Cliquez avec le bouton droit de la souris sur l'icône de l'imprimante, puis sélectionnez *Properties* [Propriétés].
- 3 Cliquez sur l'onglet *Device Options* [Options du périphérique].
- 4 Cliquez sur *Get Printer Settings* [Obtenir les paramètres d'imprimante]. La liste des paramètres de l'imprimante s'affiche.
- 5 Cliquez sur *OK* pour activer les paramètres.

Activation des options de l'imprimante non mise en réseau

- 1 Suivez les étapes 1 à 3 ci-dessus.
- 2 Cochez la case *Lower Cassette* [Bac inférieur].
- 3 Cliquez sur *OK* pour activer les paramètres.

Note : Lorsque de la mémoire optionnelle est installée, observez les directives d'installation fournies avec la carte mémoire.

Configuration des paramètres en utilisant un navigateur Web (optionnel)

Si vous œuvrez dans un environnement TCP/IP, vous pouvez utiliser un navigateur Web pour afficher l'état de l'imprimante ou les travaux d'impression ainsi que modifier des paramètres par l'entremise d'une page Web intégrée.

- 1 Lancez votre navigateur Web (Microsoft Explorer®/MC, Netscape Navigator^{MC} 4.4 ou version ultérieure, Mozilla® ou Firefox®).
- 2 Entrez l'adresse IP de l'imprimante. (L'adresse IP est indiquée dans l'option *Print Menu Map* [Imprimer mappe menu] du *Network Menu* [Menu Réseau].)
- 3 Lorsque la page Web s'affiche, sélectionnez parmi les catégories affichées.

Macintosh®

Les pilotes d'imprimante prennent en charge OS 10.2.8 et les versions ultérieures.

Connexion du câble

Voyez « Computer Connection » à la page 6.

Note : Le fonctionnement de l'imprimante n'est pas garanti si un autre périphérique compatible USB est connecté en même temps avec l'imprimante.

Installation du pilote d'imprimante

- 1 Mettez sous tension l'imprimante, puis l'ordinateur.
- 2 Insérez le CD dans l'unité CD-ROM.
- 3 Double-cliquez sur l'icône de CD qui figure sur le bureau.
- 4 Ouvrez le dossier *MAC*.
- 5 Ouvrez le dossier *OSX*.
- 6 Ouvrez le dossier *Driver Installer* [Installateur de pilotes].
- 7 Ouvrez le dossier *Multilingual* [Multilingue]. L'Installateur effectuera automatiquement l'installation du pilote en fonction de la langue sélectionnée dans le système d'exploitation de l'ordinateur.
- 8 Sélectionnez *PCL* ou *PS* (B430 seulement).
- 9 Observez les directives à l'écran.

Ajout de l'imprimante

- 1 Lancez *Print Center* [Centre d'impression] ou *Print Setup Utility* [Utilitaire de configuration d'impression].
- 2 Cliquez sur *Add* [Ajouter].
- 3 Cliquez sur *More Printers* [Autres imprimantes].
- 4 Sélectionnez *OKI USB*, *OKI TCP/IP* ou *Bonjour* dans le menu déroulant.

Note : Si vous utilisez une connexion USB, sélectionnez OKI USB et ignorez l'étape 3.

- 5 Entrez l'adresse IP de l'imprimante (modèles B410dn/B420dn/B430dn).
- 6 Quittez *Print Center* [Centre d'impression].

Installation des utilitaires

- 1 Insérez le CD dans l'unité CD-ROM.
- 2 Double-cliquez sur l'icône de CD qui figure sur le bureau.
- 3 Ouvrez le dossier *MAC*.
- 4 Double-cliquez sur l'icône *OSX*.
- 5 Double-cliquez sur *Utility Installer* [Installateur d'utilitaires].
- 6 Cliquez sur *Multilingual* [Multilingue].
- 7 Cliquez sur *OSX B400 Series Utilities* [Utilitaires OSX pour la série B400]. Observez les directives à l'écran.
- 8 Une fois la liste des utilitaires affichées, cochez les utilitaires à installer.

Utilisation de la page Web intégrée pour configurer l'imprimante (optionnel)

Si vous œuvrez dans un environnement TCP/IP, vous pouvez utiliser un navigateur Web pour afficher l'état de l'imprimante ou les travaux d'impression ainsi que modifier des paramètres par l'entremise d'une page Web intégrée. Entrez l'adresse IP de l'imprimante (l'adresse IP est indiquée dans l'option *Print Menu Map* [Imprimer mappe menu] du *Network Menu* [Menu Réseau]). Sélectionnez parmi les catégories affichées dans la liste à gauche.

Note : Cette page est accessible uniquement lorsque l'imprimante est raccordée à un réseau.

Installation de la documentation

Note : La version 5.0 ou une version ultérieure d'Acrobat® Reader d'Adobe® 5.0 est requise pour consulter les guides.

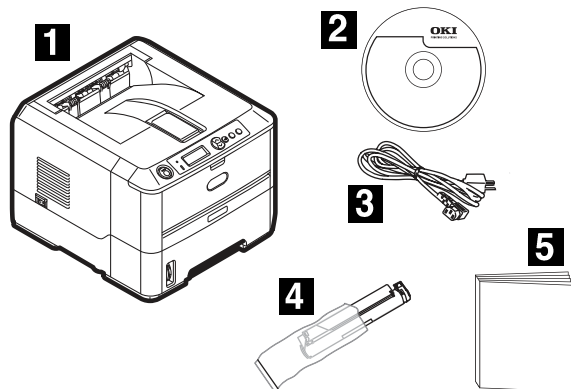
- 1** Insérez le CD dans l'unité CD-ROM.
- 2** Double-cliquez sur l'icône de CD qui figure sur le bureau.
- 3** Installez les guides depuis le répertoire racine.
Pour charger un guide : glissez le fichier PDF sur le bureau.
Pour le consulter, double-cliquez dessus.

Service et soutien

Offert 24 heures sur 24, 7 jours sur 7

- Visitez notre site Web multilingue : www.okiprintingsolutions.com
- Composez le 1-800-OKI-DATA (1-800-654-3282)

Verifique el contenido de la caja

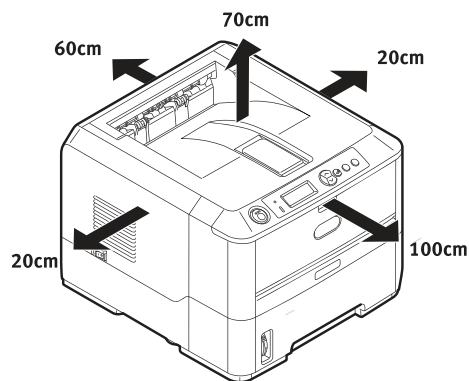
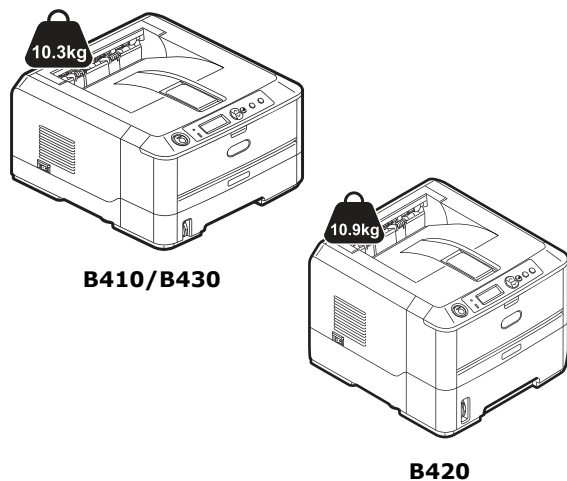


- 1 Impresora
- 2 CD-ROM
- 3 Cable de alimentación
- 4 Cartucho de tóner
- 5 Bolsa negra de protección contra la luz (en caso de que tenga que transportar el cartucho de cilindro/tóner)
- 6 Esta Guía de Instalación (no se muestra)
- 7 Folleto sobre Seguridad, Garantía y Regulaciones (no se muestra)

Nota: Guarde los materiales de embalaje y la caja en caso de que tenga que despachar o transportar la unidad.

Prepare el lugar

Nota: Los requisitos de espacio son aproximaciones



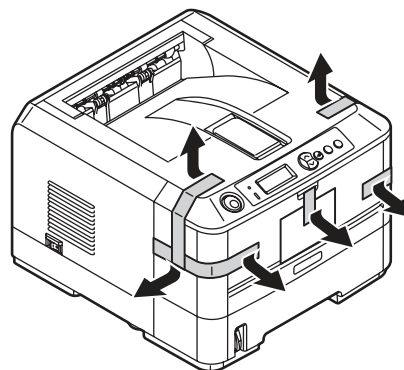
Instale la impresora

Levante la impresora y colóquela en el lugar seleccionado. La impresora pesa aproximadamente 24 lbs (11 kgs).

¡IMPORTANTE!

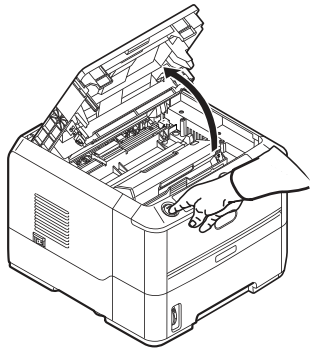
Puede encontrar información adicional sobre Seguridad, Garantía y Regulaciones en el folleto que viene con este producto y debería leerlo antes de instalar la impresora.

- 1 Retire todas las cintas de protección.
- 2 Retire los materiales de embalaje.

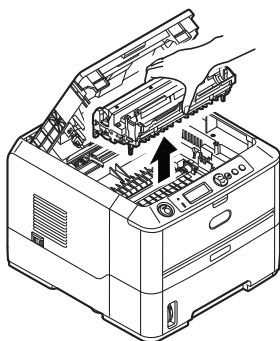


Preparar el Cartucho de cilindro de imagen

- 1 Pulse el botón y levante la tapa superior.



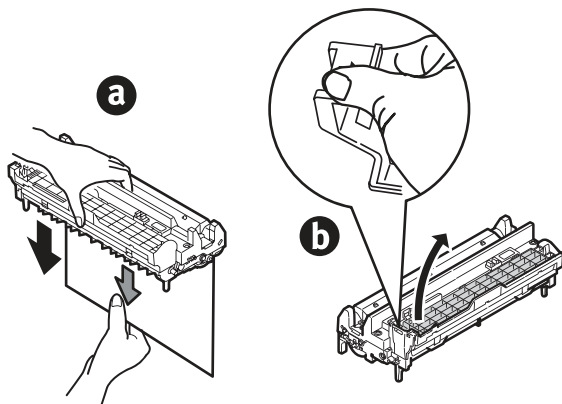
- 2 Saque el cartucho del cilindro fuera de la impresora.



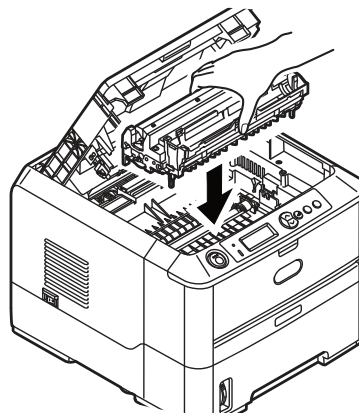
*Nota: No exponga el cilindro a la luz durante más de **5 minutos**.*

Nota: No toque la superficie verde brillante en la parte inferior del cartucho del cilindro.

- 3 Levante la cinta (a), luego saque la hoja protectora como se muestra abajo (b).

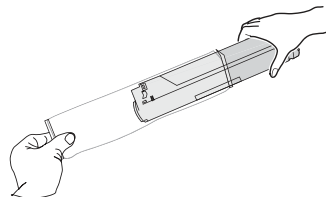


- 4 Reinstale el cartucho de cilindro en la impresora.

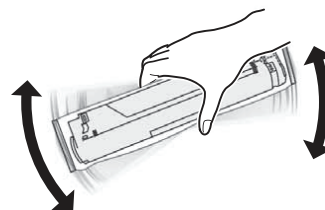


Instalar cartucho de tóner

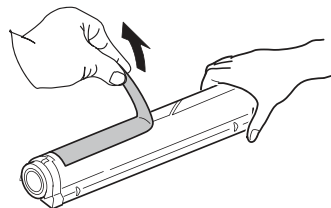
- 1 Desempaque el cartucho de tóner.



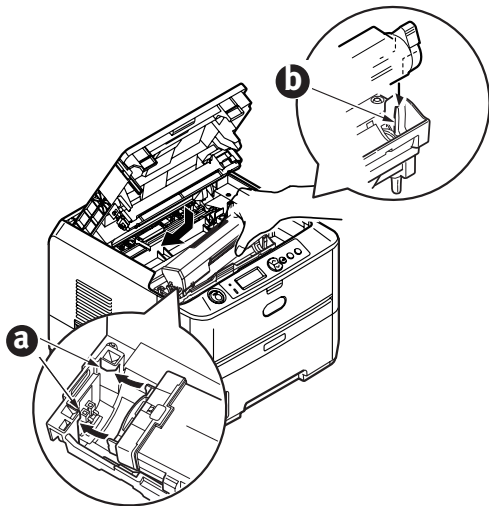
- 2 Sacuda el cartucho hacia arriba, abajo y hacia los lados varias veces para distribuir el tóner.



- 3 Sostenga el cartucho en posición horizontal y despegue la cinta lentamente.

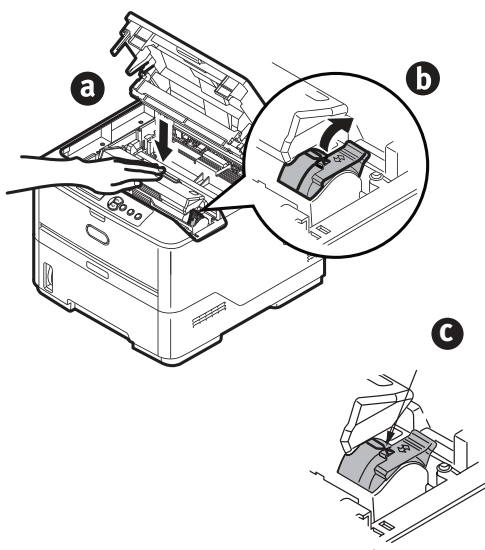


- 4** Sostenga el cartucho con el lado que tenía la cinta hacia abajo y la perilla azul hacia la derecha. Incline el cartucho ligeramente e inserte el lado izquierdo debajo de las lengüetas (a) del cartucho del cilindro.



- 5** Luego baje el lado derecho, alineando la ranura del cartucho de tóner con el pivote de guía del cartucho del cilindro (b). Luego presione el cartucho de tóner con firmeza hasta que calce en su lugar.
- 6** Sostenga el cartucho de tóner para inmovilizarlo (a) y gire la perilla azul (b) en la dirección indicada.

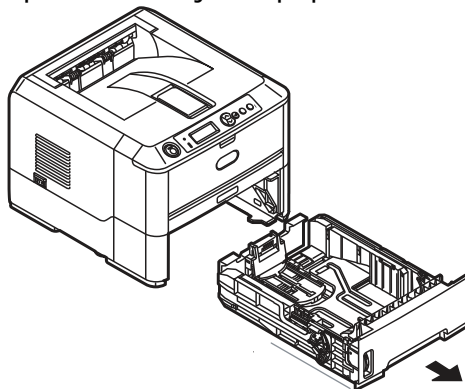
Nota: La flecha en la perilla debe quedar alineada con la flecha en el cartucho del cilindro (c).



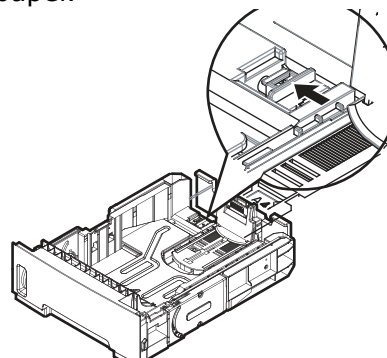
- 7** Cierre la tapa superior.

Cargar papel

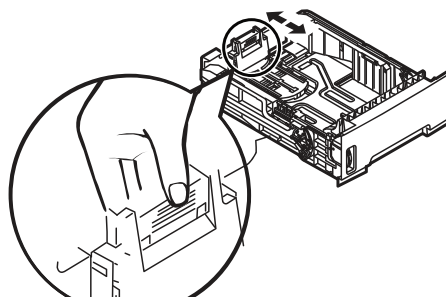
- 1** Saque la bandeja de papel.



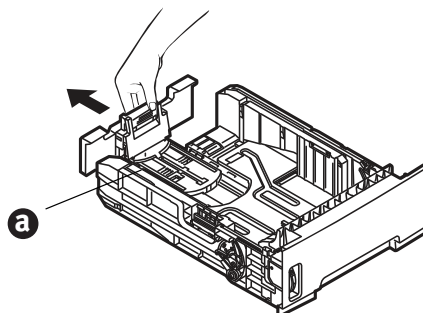
- 2** Ajuste las guías de acuerdo al tamaño del papel.



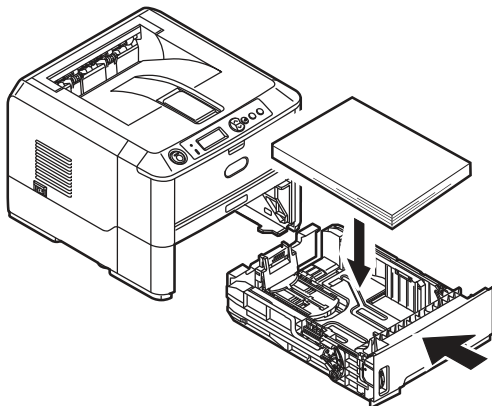
- 3** Ajuste la guía de la longitud del papel.



Nota: En el caso de papel legal, deslice la palanca de liberación (a) hacia la izquierda mientras hala la guía de papel a la posición LGL.



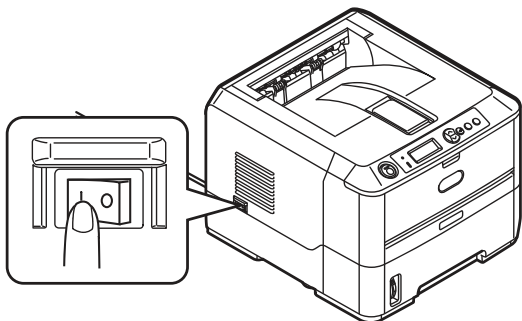
- 4 Coloque el papel membrete cara abajo con el membrete en dirección de la parte delantera de la bandeja de papel. Asegúrese de que las guías reposan contra el papel y que están sujetas en su lugar.



- 5 Cierre la bandeja de papel.

Conectar el cable de alimentación

Conecte el cable de alimentación y encienda la impresora.



¡ADVERTENCIA!

Asegúrese de utilizar el cable de alimentación 15A AC que vino con la impresora. El uso de un cable de alimentación **DISTINTO** al suministrado con esta impresora o el uso de un cable de extensión puede causar recalentamiento y constituir un peligro de seguridad.

¡CUIDADO!

Para evitar descargas eléctricas o incendio, conecte el cable de alimentación a un tomacorriente con la debida potencia nominal.

¡PRECAUCIÓN!

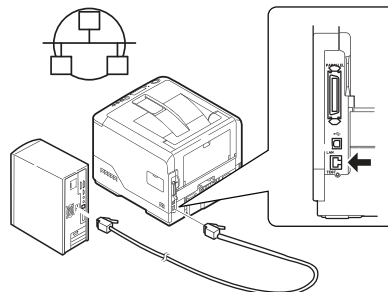
No conecte este equipo a un suministro de energía ininterrumpible (UPS). Para mayor información comuníquese con Oki Data al 1-800-OKIDATA o www.okidata.com.

Conexión a la computadora

Nota: No se incluyen los cables de interfaces.

Instalación del cable de red

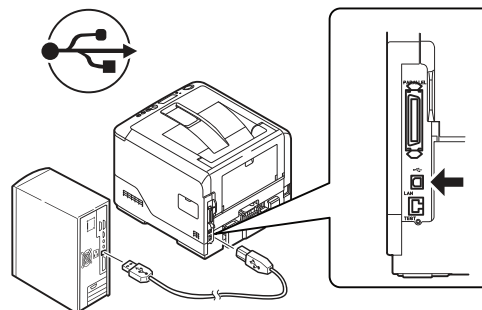
Conecte el cable de red entre el puerto de la impresora y el concentrador Ethernet o el router.



Conexión USB

Windows USB - Instale el software de la impresora ANTES de instalar el cable USB. See "Instalación de software" on page 30.

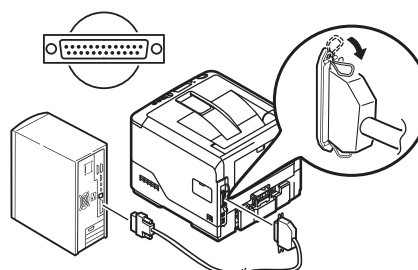
Conecte el cable USB al puerto USB de la impresora y de la computadora.



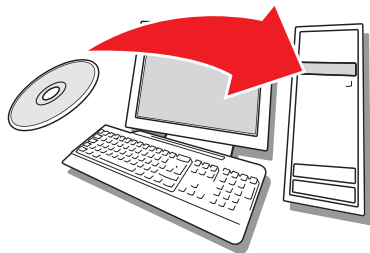
Conexión paralela

Nota: Se requiere un cable bidireccional (compatible con IEEE 1284) aprobado por UL.

Conecte el cable USB al puerto paralelo de la impresora y de la computadora.



Instalación de software



Instalación bajo Windows® de B410d

Instalar el controlador

- 1 Inserte el CD en la unidad CD-ROM. El CD se ejecuta automáticamente.
- 2 Seleccione su idioma.
- 3 Para aceptar el contrato de licencia, haga clic en I Agree (Acepto).
- 4 Seleccione Driver Setup (Config. del controlador) de la barra de menús y haga clic en Install Driver (Instalar controlador).
- 5 Haga clic en Local printer (Impresora local).
- 6 Seleccione Port (Puerto): USB o LPT1 (Paralelo)
- Nota: El cable paralelo debe ser compatible con IEEE 1284 y aprobado por UL.*
- 7 Seleccione B410.
- 8 Siga las instrucciones en pantalla.

Imprima una prueba para verificar la instalación del controlador

Para asegurarse de que el controlador de la impresora está instalado correctamente, imprima una hoja de prueba:

- 1 En la barra de tareas, haga clic en Inicio> Configuración>Impresoras.
- 2 Haga clic con el botón derecho en el modelo de la impresora, luego seleccione Properties (Propiedades).
- 3 Haga clic en el botón Print Test Page (Imprimir página de prueba). Si la instalación falló, vuelva a instalar el controlador.

Instalar Utilidades y Descargas

Nota: Debe estar conectado a la Internet para instalar descargas de la Internet.

- 1 Seleccione Optional Utilities (Utilidades opcionales) o Internet Downloads (Descargas de Internet) del menú del CD.
- 2 Haga clic en las utilidades y descargas que quiere instalar y siga las instrucciones en pantalla.

Cambiar el idioma de los mensajes

La impresora muestra los mensajes en el idioma predeterminado, inglés. Para cambiarlo:

- 1 Seleccione Optional Utilities (Utilidades opcionales)>Change the Printer Display Language (Cambiar idioma de la impresora) del menú del CD.
- 2 Siga las instrucciones en pantalla.

Instalar la Guía del Usuario

- 1 Seleccione Driver Setup (Config. del controlador) del menú del CD.
- 2 Haga clic en Install User's Guide (Instalar la Guía del Usuario)
- 3 Siga las instrucciones en pantalla para instalar la guía en su computadora.
- 4 Para ver los manuales vaya a Inicio>Programas>OkiData B410d/B410dn/B420dn/B430dn User Guide (Guía del Usuario).

Nota: Para ver la guía del usuario en línea, debe tener instalado Adobe® Acrobat® Reader 5.0 o superior.

Habilite Printer Options (Opciones de la impresora)

Si tiene instalada la bandeja de papel opcional, la misma debe estar habilitada en el controlador de la impresora.

- 1 Haga clic en Inicio>Configuración>Impresoras en la barra de tareas de Windows.
- 2 Haga clic con el botón derecho en el icono de la impresora y seleccione Properties (Propiedades).
- 3 Haga clic en la ficha Device Options (Opciones de dispositivo).
- 4 Haga clic en Lower Cassette (Bandeja inferior).

5 Haga clic en OK para activar la configuración actual.

Nota: Si tiene instalada la memoria opcional, siga las instrucciones de instalación que vienen con la tarjeta de memoria.

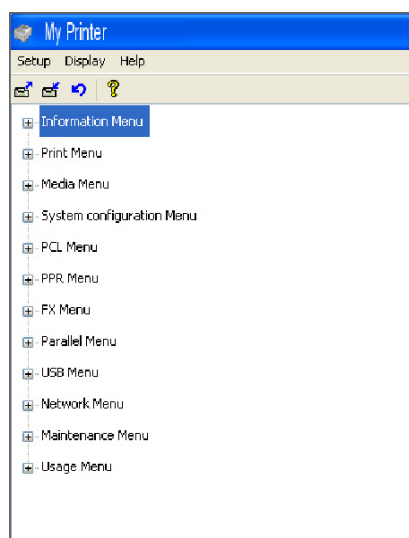
instalación de la Herramienta de Configuración del Menú de la Impresora

La Herramienta del Menú de la Impresora le permite ver y cambiar los parámetros internos de la impresora. Puede considerarlo como un programa equivalente al panel del operador LCD.

Los parámetros están agrupados en categorías o "menús" como por ejemplo, el Menú de información o de impresión.

Nota: Las configuraciones que haga con su aplicación tienen precedencia sobre las configuraciones de este menú.

Uso de la Herramienta de Configuración del Menú de la Impresora



De la barra de menús de Windows seleccione Inicio>Programas>Okidata>Printer Menu Setup Tool. Aparece el menú de la impresora.

Para imprimir Menu Map (lista de las configuraciones de la impresora):

- 1** Haga clic en el menú Information (Información) para ver los submenús que contiene.
- 2** Haga clic en Print Menu Map y luego haga clic en Execute (Ejecutar).

También puede imprimir la lista de configuraciones desde el panel del operador con el botón Online:

- 1** Presione el botón Online para poner la impresora fuera de línea.
- 2** Presione y sostenga el botón Online por lo menos cuatro segundos, pero menos de siete segundos.
- 3** La impresora imprime una lista de las configuraciones del menú y una página de demostración.

Para mayor información sobre la impresora, vea la Guía del Usuario en línea.

Instalación bajo Windows de B410dn

Instalar el controlador en la red

Imprima el Menu Map

- 1 Presione el botón Online para poner la impresora fuera de línea.
- 2 Presione y sostenga el botón Online por lo menos cuatro segundos, pero menos de siete segundos.
- 3 La impresora imprime una lista de las configuraciones del menú y una página de demostración.

Tenga a la mano estas hojas: contienen la información que necesita para configurar la impresora en la red.

Instalar el controlador

- 1 Inserte el CD en la unidad CD-ROM. El CD se ejecuta automáticamente.
- 2 Seleccione su idioma.
- 3 Para aceptar el contrato de licencia, haga clic en I Agree (Acepto).
- 4 Seleccione Driver Setup (Config. del controlador) y luego en Install Driver (Instalar controlador).
- 5 Seleccione Network Printer (Impresora de red).
- 6 Seleccione Directly to the network using TCP/IP (Directamente a la red con TCP/IP).
- 7 Seleccione Search Address (Buscar dirección) para detectar la impresora en la red o entre la dirección IP. La dirección IP se encuentra en el Menu Map bajo Network Menu (Menú de la red).
- 8 Siga las instrucciones en pantalla.

Imprima una prueba para verificar la instalación del controlador

Para asegurarse de que el controlador de la impresora está instalado correctamente, imprima una hoja de prueba:

- 1 En la barra de tareas, haga clic en Inicio/Configuración/Impresoras.
- 2 Haga clic con el botón derecho en el modelo de la impresora, luego seleccione Properties (Propiedades).
- 3 Haga clic en el botón Print Test Page (Imprimir página de prueba). Si la instalación falló, vuelva a instalar el controlador.

Instalar Utilidades y Descargas

Nota: Debe estar conectado a la Internet para instalar descargas de la Internet.

- 1 Seleccione Optional Utilities (Utilidades opcionales) o Internet Downloads (Descargas de Internet) de la barra de menú del CD.
- 2 Haga clic en las utilidades y descargas que quiere instalar y siga las instrucciones en pantalla.

Cambiar el idioma de los mensajes

La impresora muestra los mensajes en el idioma predeterminado, inglés. Para cambiarlo:

- 1 Seleccione Optional Utilities (Utilidades opcionales)>Change the Printer Display Language (Cambiar idioma de la impresora) del menú del CD.
- 2 Siga las instrucciones en pantalla.

Instalar la Guía del Usuario

- 1 Seleccione Driver Setup (Config. del controlador) del menú del CD.
- 2 Haga clic en Install User's Guide (Instalar la Guía del Usuario).
- 3 Siga las instrucciones en pantalla para instalar la guía en su computadora.
- 4 Para ver los manuales vaya a Inicio>Programas>OkiData B410d/B410dn/B420dn/B430dn User Guide (Guía del Usuario).

Nota: Para ver la guía del usuario en línea, debe tener instalado Adobe® Acrobat® Reader 5.0 o superior.

Para habilitar las opciones de la impresora bajo un entorno de redes

Si tiene instalada la bandeja de papel opcional o memoria adicional, las mismas deben estar habilitadas en el controlador de la impresora.

- 1 Haga clic en Inicio>Configuración>Impresoras en la barra de tareas de Windows.
- 2 Haga clic con el botón derecho en el icono de la impresora y seleccione Properties (Propiedades).
- 3 Haga clic en la ficha Device Options (Opciones de dispositivo).

4 Haga clic en la barra Get Printer Settings (Obtener lista de configuraciones de la impresora). Aparece una lista de las configuraciones de la impresora.

5 Haga clic en OK para activar la configuración actual.

Cómo hacer configuraciones utilizando un explorador Web (opcional)

Si está trabajando en un entorno que tiene habilitada las funciones TCP/IP, puede utilizar un navegador Web para mostrar el estado de la impresora o sus tareas de impresión y también puede hacer cambios a la configuración utilizando una página Web.

1 Abra su explorador Web (Microsoft Explorer^{®/™}, Netscape Navigator[™] 4.4 o superior, Mozilla[®], Firefox[®]).

2 Entre la dirección IP de la impresora (busque la dirección en el Menu Map bajo Network Menu (Menú de red)).

3 Cuando aparezca la página Web, seleccione una de las categorías de la lista de menús.

Nota: Para usar el navegador Web, la impresora tiene que estar conectada a la red.

Instalación del controlador para USB o el puerto paralelo

Para instalar la B410dn para utilizar USB o el puerto paralelo, siga las instrucciones en la página 30 para instalar el controlador de la impresora.

instalación de la Herramienta de Configuración del Menú de la Impresora



La Herramienta del Menú de la Impresora le permite ver y cambiar los parámetros internos de la impresora. Para mayor información, vea la página 31.


Para mayor información sobre la impresora, vea la Guía del Usuario en línea.

Instalación bajo Windows de B420dn ó B430dn


Instalar el controlador en la red

Imprima el Menu Map

1 Presione Menu  o  en el panel de control para seccionar Information menu (Menú de información).

2 Presione el botón .

3 Presione el botón  o  para seleccionar Network (Red).

4 Presione  para imprimir Menu Map.

Tenga a la mano estas hojas: contienen la información que necesita para configurar la impresora en la red.

Instalar el controlador

1 Inserte el CD en la unidad CD-ROM. El CD se ejecuta automáticamente.

2 Seleccione su idioma.

3 Para aceptar el contrato de licencia, haga clic en I Agree (Acepto).

4 Seleccione Driver Setup (Config. del controlador) y luego en Install Driver (Instalar controlador).

5 Seleccione Network Printer (Impresora de red).

6 Seleccione Directly to the network using TCP/IP (Directamente a la red con TCP/IP).

7 Entre la dirección IP (aparece en el Menu Map bajo Network Menu (Menú de redes)) o seleccione Search Address (Encontrar dirección) para detectar la impresora en la red.

8 Siga las instrucciones en pantalla.

Instalación del controlador para USB o el puerto paralelo

1 Inserte el CD en la unidad CD-ROM. El CD se ejecuta automáticamente.

2 Seleccione su idioma.

3 Para aceptar el contrato de licencia, haga clic en I Agree (Acepto).

4 Seleccione Driver Setup (Config. del controlador) y luego en Install Driver (Instalar controlador).

- 5 Haga clic en Local printer (Impresora local).
- 6 Seleccione Port (Puerto): USB o LPT1 (Paralelo).
- 7 Seleccione el modelo de su impresora.
- 8 Si tiene el modelo B430dn, seleccione el tipo de emulación (PCL o PS).
- 9 Siga las instrucciones en pantalla.

Imprima una prueba para verificar la instalación del controlador

Para asegurarse de que el controlador de la impresora está instalado correctamente, imprima una hoja de prueba:

- 1 En la barra de tareas, haga clic en Inicio/Configuración/Impresoras.
- 2 Haga clic con el botón derecho en el modelo de la impresora, luego seleccione Properties (Propiedades).
- 3 Haga clic en el botón Print Test Page (Imprimir página de prueba). Si la instalación falló, vuelva a instalar el controlador.

Instalar Utilidades y Descargas

Nota: Debe estar conectado a la Internet para instalar descargas de la Internet.

- 1 Seleccione Optional Utilities (Utilidades opcionales) o Internet Downloads (Descargas de Internet) de la barra de menú del instalador del CD.
- 2 Haga clic en las utilidades y descargas que quiere instalar y siga las instrucciones.
- 3 La impresora muestra los mensajes en el idioma predeterminado, inglés. Para cambiarlo, seleccione Optional Utilities (Utilidades opcionales) >Change the Printer Display Language (Cambiar el idioma de la pantalla de la impresora).

Cambiar el idioma de los mensajes

La impresora muestra los mensajes en el idioma predeterminado, inglés. Para cambiarlo:

- 1 Seleccione Optional Utilities (Utilidades opcionales)>Change the Printer Display Language (Cambiar idioma de la impresora) del menú del CD.
- 2 Siga las instrucciones en pantalla.

Instalar la Guía del Usuario

- 1 Seleccione Driver Setup (Config. del controlador) del menú del CD.
- 2 Haga clic en Install User's Guide (Instalar la Guía del Usuario).
- 3 Siga las instrucciones en pantalla para instalar la guía en su computadora.
- 4 Para ver los manuales vaya a Inicio>Programas>OkiData B410d/B410dn/B420dn/B430dn User Guide.

Nota: Para ver la guía del usuario en línea, debe tener instalado Adobe® Acrobat® Reader 5.0 o superior.

Para habilitar las opciones de la impresora bajo un entorno de redes

Si tiene instalada la bandeja de papel opcional, la misma debe estar habilitada en el controlador de la impresora.

- 1 Haga clic en Inicio>Configuración>Impresoras en la barra de tareas de Windows.
- 2 Haga clic con el botón derecho en el icono de la impresora y seleccione Properties (Propiedades).
- 3 Haga clic en la ficha Device Options (Opciones de dispositivo).
- 4 Haga clic en la barra Get Printer Settings (Obtener lista de configuraciones de la impresora). Aparece una lista de las configuraciones de la impresora.
- 5 Haga clic en OK para activar la configuración actual.

Para habilitar las opciones de la impresora fuera de la red

- 1 Siga los pasos 1 al 3 anteriores.
- 2 Haga clic en Lower Cassette (Bandeja inferior).
- 3 Haga clic en OK para activar la configuración actual.

Nota: Si tiene instalada la memoria opcional, siga las instrucciones de instalación que vienen con la tarjeta de memoria.

Cómo hacer configuraciones utilizando un explorador Web (opcional)

Si está trabajando en un entorno que tiene habilitada las funciones TCP/IP, puede

utilizar un navegador Web para mostrar el estado de la impresora o sus tareas de impresión y también puede hacer cambios a la configuración utilizando una página Web.

- 1** Abra su explorador Web (Microsoft Explorer^{®/™}, Netscape Navigator[™] 4.4 o superior, Mozilla[®], Firefox[®]).
- 2** Entre la dirección IP de la impresora. (Ubique la dirección en el Menu Map bajo Network Menu (Menú de redes).)
- 3** Cuando aparezca la página Web, seleccione una de las categorías de la lista de menús.

Macintosh[®]

Los controladores de la impresora son compatibles con OS 10.2.8 y superior.

Conectar el cable

Ver "Computer Connection" en la página 6.

Nota: No se garantiza el funcionamiento de la impresora si otro dispositivo compatible con USB está conectado al mismo tiempo.

Instalar el controlador de la impresora

- 1** Encienda la impresora, luego encienda la computadora.
- 2** Coloque el CD en la unidad CD-ROM.
- 3** Haga doble clic en el icono del CD que aparece en su escritorio.
- 4** Abra la carpeta MAC.
- 5** Abra la carpeta OSX.
- 6** Abra la carpeta Driver Installer (Instalador de Controladores).
- 7** Abra Multilingual folder (Carpeta multilingüe). El instalador automáticamente instala el idioma seleccionado en el OS.
- 8** Seleccione PCL, o seleccione PS (sólo B430).
- 9** Siga las instrucciones en pantalla.

Agregar impresora

- 1** Abra Print Center (Centro de impresión) o la utilidad Print Setup (Config. de impresión).
- 2** Haga clic en Add (Agregar).
- 3** Haga clic en More Printers (Más impresoras).
- 4** Seleccione OKI USB, OKI TCP/IP, o Bonjour del menú desplegable.

Nota: Si utiliza la interfaz USB, seleccione OKI USB e ignore el paso 3.

- 5** Entre la dirección IP de la impresora (modelos B410dn/ B420dn/B430dn).
- 6** Cierre Print Center (Centro de impresión).

Instalar las utilidades

- 1 Inserte el CD en la unidad CD-ROM.
- 2 Haga doble clic en el icono del CD que aparece en su escritorio.
- 3 Abra la carpeta MAC.
- 4 Haga doble clic en el icono OSX.
- 5 Haga doble clic en Utility Installer (Instalador de utilidades).
- 6 Haga clic en Multilingual.
- 7 Haga clic en OSX B400 Series Utilities. Siga las instrucciones en pantalla.
- 8 Cuando aparezca la lista de utilidades, seleccione las utilidades que desea instalar.

Cómo utilizar un navegador Web para configurar la impresora (opcional)

Si está trabajando en un entorno que tiene habilitada las funciones TCP/IP, puede utilizar un navegador Web para mostrar el estado de la impresora o sus tareas de impresión y también puede hacer cambios a la configuración utilizando una página Web. Entre la dirección IP de la impresora (busque la dirección en el Menu Map bajo Network Menu (Menú de red)). Seleccione una de las categorías de los menús en el lado izquierdo.

Nota: Para usar el navegador Web, la impresora tiene que estar conectada a la red.

Instalación de la documentación

Nota: Para ver los manuales, debe tener instalado Adobe® Acrobat® Reader 5.0 o superior.

- 1 Inserte el CD en su unidad CD-ROM.
- 2 Haga doble clic en el icono del CD que aparece en su escritorio.
- 3 Instale los manuales desde el directorio raíz.

Para cargarlos: arrastre el archivo .pdf al escritorio

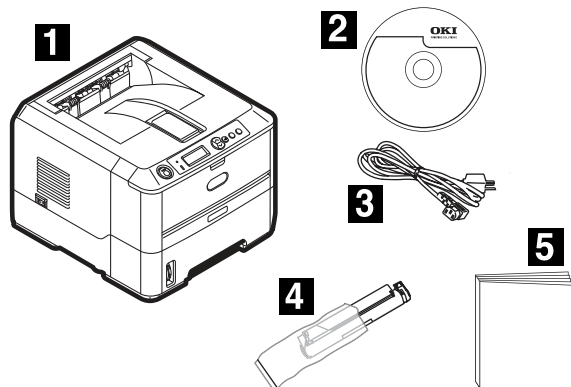
Para verlo: haga doble clic en el mismo.

Asistencia Técnica y Soporte

Disponible 24 horas al día, días a la semana.

- Visite nuestro sitio Web multilingue: www.okiprintingsolutions.com
- Estados Unidos: llame al 1-856-222-7496 (1-800-654-3282)
- México: llame al (525) 263-8780

Inspecione o conteúdo da embalagem

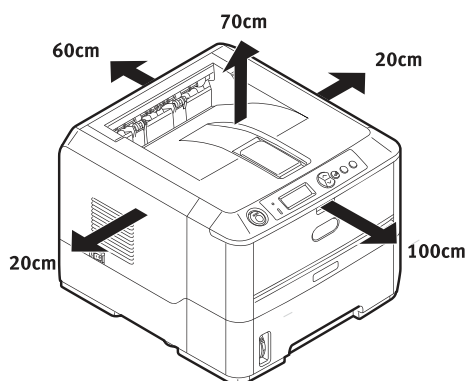
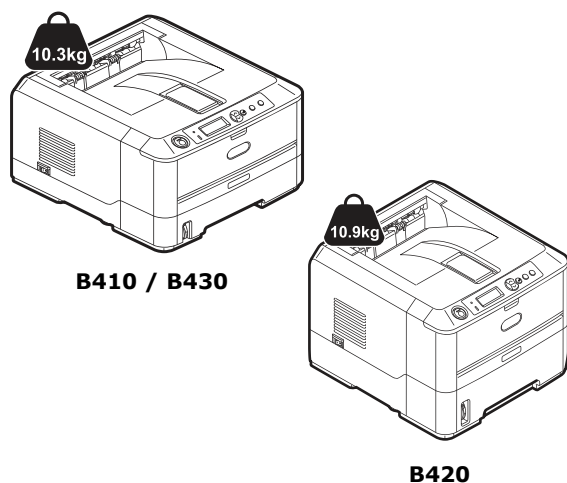


- 1 Impressora
- 2 CD-ROM
- 3 Cabo de alimentação
- 4 Cartucho de toner
- 5 Saco preto à prova de luz (para proteger o cilindro OPC/cartucho de toner se despachados)
- 6 Este Manual de Instalação (não mostrado)
- 7 Livreto de informações sobre segurança, regulamentações e garantia (não mostrado)

Nota: Recomendamos que guarde o material de embalagem e a caixa para eventual transporte da unidade.

Prepare o local de instalação

Nota: Os requisitos de espaço são aproximados.



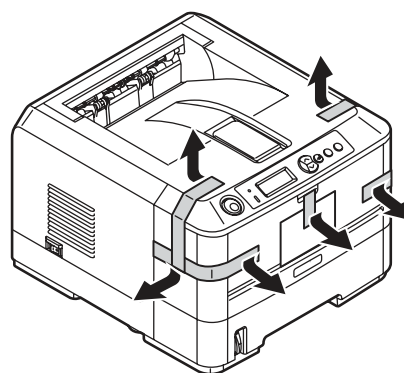
Instale a impressora

Levante a impressora e a coloque no local selecionado. A impressora pesa aproximadamente 11 kg.

IMPORTANTE!

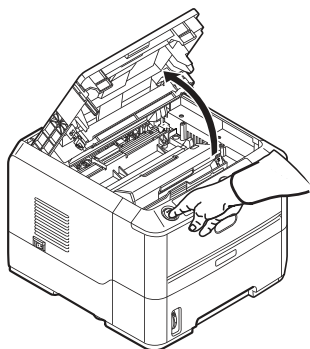
O livreto de informações sobre segurança, regulamentações e garantia fornecido com este produto contém outras informações de segurança e deve ser lido antes da instalação da impressora.

- 1 Retire todas as fitas utilizadas para transporte.
- 2 Retire todos os materiais de embalagem.

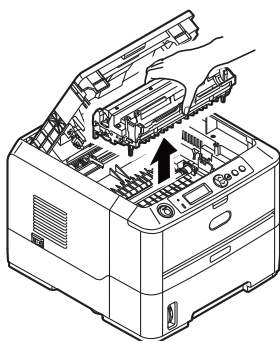


Prepare o cartucho do cilindro OPC

- 1 Pressione o botão e levante a tampa superior.



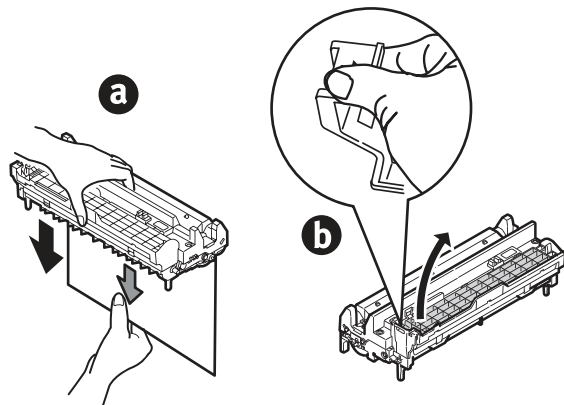
- 2 Retire o cartucho do cilindro OPC da impressora.



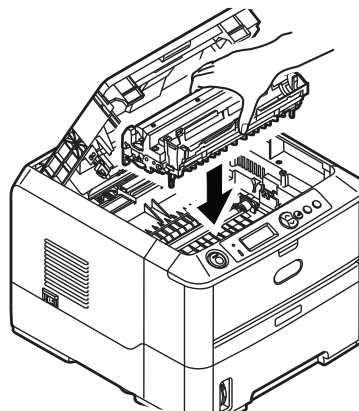
*Nota: Não exponha o cartucho à luz por mais de **cinco minutos**.*

Nota: Não toque na superfície verde brilhante na parte inferior do cartucho OPC.

- 3 Levante a fita e retire a folha de papel protetora, como ilustrado abaixo (a). Retire o retentor para transporte e descarte (b).

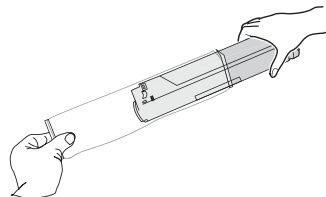


- 4 Reinstale o cilindro do cartucho OPC na impressora.

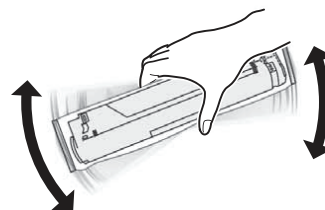


Instale o cartucho de toner

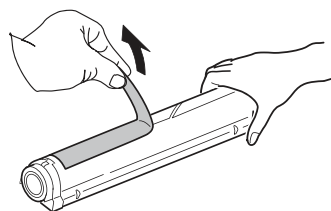
- 1 Desembale o cartucho de toner.



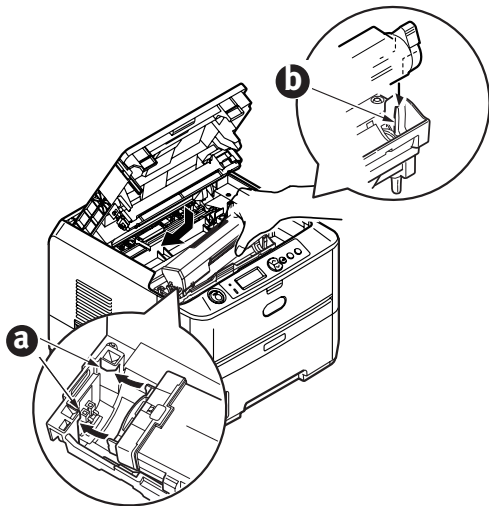
- 2 Agite várias vezes o cartucho no sentido vertical e horizontal para distribuir o toner.



- 3 Segure o cartucho na posição horizontal e retire lentamente a fita.

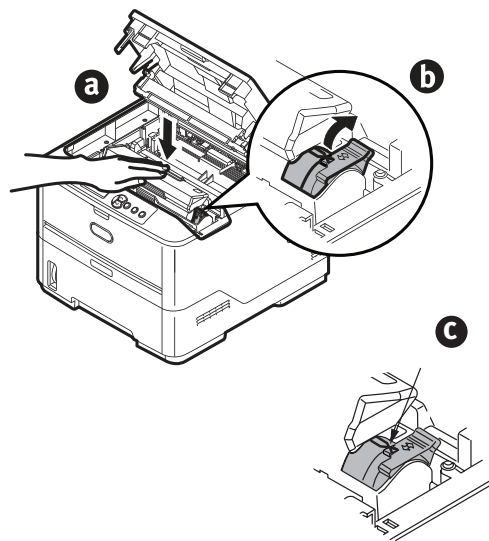


- 4** Segure o cartucho com o lado que continha a fita para baixo e o botão (azul) à direita. Incline ligeiramente o cartucho e insira o lado esquerdo embaixo das elevações (a) no cartucho do cilindro OPC.



- 5** Abaixe o lado direito, alinhando a ranhura no cartucho de toner com o pino de posicionamento do cilindro OPC (b). Pressione o cartucho de toner completamente para baixo até que se encaixe no lugar.
- 6** Segurando o cartucho de toner para baixo para que não volte para cima (a), gire o botão (azul) (b) na direção mostrada.

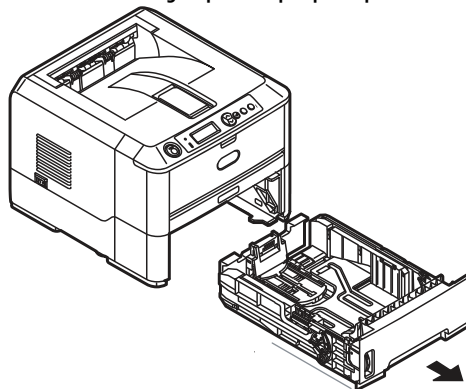
Nota: A seta no botão deve se alinhar com a seta no cartucho do cilindro OPC (c).



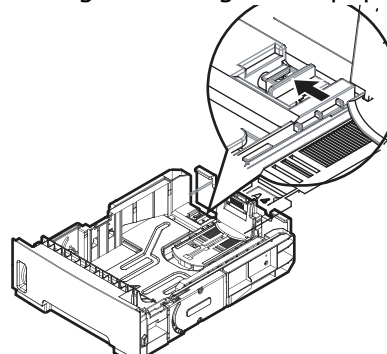
- 7** Feche a tampa superior.

Coloque o papel

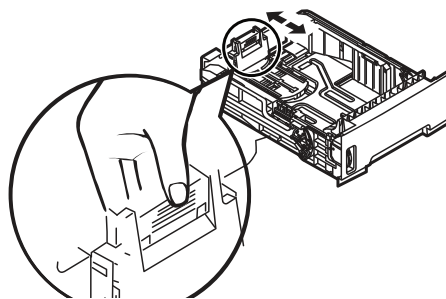
- 1** Puxe a bandeja para papel para fora.



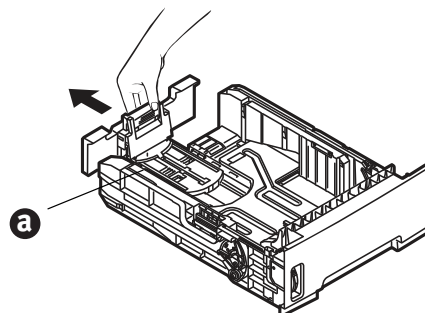
- 2** Ajuste as guias à largura do papel.



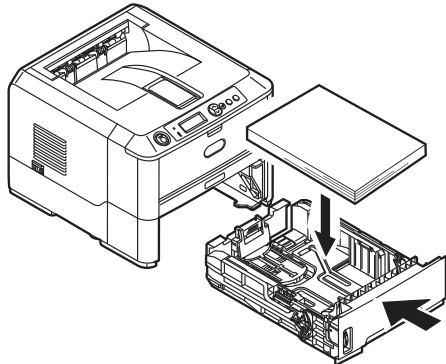
- 3** Ajuste a guia para o comprimento do papel.



Nota: Para papel tamanho ofício, deslize a alavanca de liberação (a) para a esquerda enquanto puxa a guia do papel para a posição LGL.



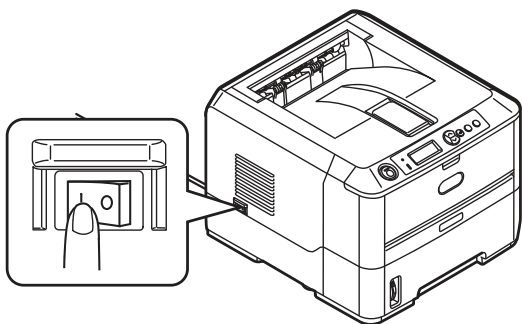
- 4 Papéis timbrados devem ser colocados com a face impressa para baixo e a borda superior voltada para a frente da bandeja para papel. Certifique-se de que as guias do papel estejam encostadas no papel e travadas no lugar.



- 5 Feche a bandeja para papel.

Insira o cabo de alimentação

Insira o cabo de alimentação e ligue a impressora.



ATENÇÃO!

Certifique-se de usar o cabo de alimentação de 15A CA fornecido com a impressora. O uso de um cabo de alimentação NÃO fornecido com esta impressora ou de uma extensão pode resultar em superaquecimento e colocar em risco a segurança.

CUIDADO!

Para evitar riscos de incêndios ou de choque, conecte o cabo de alimentação apenas em uma tomada elétrica compatível com a potência da impressora.

CUIDADO!

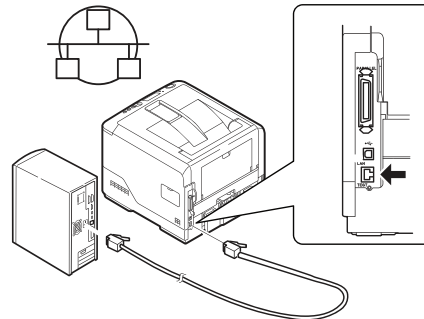
Não conecte este produto a um sistema de energia ininterrupto (UPS - no-break). Para obter mais informações, entre em contato com a Oki Data pelo número (11)3444-6747 (Grande São Paulo) ou 0800 11-55-77 (Demais localidades) .

Conexão do computador

Nota: Os cabos de interface não são fornecidos.

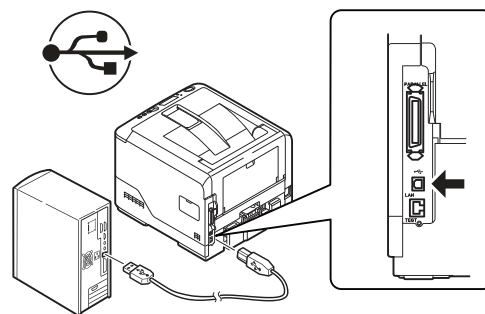
Instale o cabo de rede

Conecte o cabo de rede entre a porta de rede da impressora e o hub ou roteador Ethernet.



Conexão USB

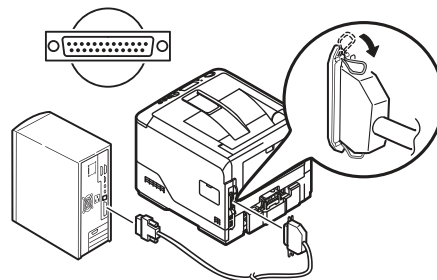
Windows USB—Instale o software da impressora ANTES de instalar o cabo USB. See "Instale o software" on page 41. Conecte o cabo USB na porta USB da impressora e na porta USB do computador.



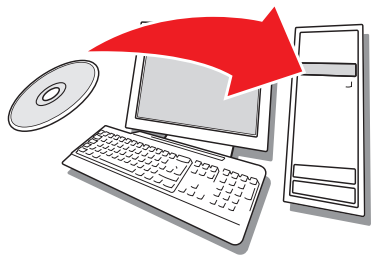
Conexão paralela

Nota: Requer cabo bidirecional (compatível com IEEE 1284) aprovado pelo UL.

Conecte o cabo paralelo na porta paralela da impressora e na porta paralela do computador.



Instale o software



B410d – Instalação em Windows

Instale o driver

- 1 Insira o CD na unidade de CD-ROM. O CD será executado automaticamente.
- 2 Selecione o idioma desejado.
- 3 Se aceitar o contrato de licença, clique em "I Agree" (Concordo).
- 4 Selecione Driver Setup (Instalação do driver) na barra de menus e clique em Install Driver (Instalar driver).
- 5 Selecione Local printer (Impressora local).
- 6 Selecione a porta: USB ou LPT1 (paralela)
Nota: O cabo paralelo deve ser compatível com IEEE 1284 e aprovado pelo UL.
- 7 Selecione B410.
- 8 Siga as instruções exibidas na tela.

Teste a instalação do driver da impressora

Imprima uma página de teste para confirmar se o driver da impressora está instalado corretamente.

- 1 Na barra de tarefas do Windows, clique em Iniciar>Configurações>Impressoras.
- 2 Clique com o botão direito do mouse no modelo da impressora e, em seguida clique em Propriedades.
- 3 Clique no botão Print Test Page (Imprimir página de teste). Reinstale o driver se a instalação tiver falhado.

Instale os utilitários e downloads

Nota: É necessário estar conectado à Internet para instalar os downloads da Internet.

- 1 Selecione Optional Utilities (Utilitários opcionais) ou Internet Downloads

(Downloads da Internet) na barra de menus do Programa de Instalação no CD.

- 2 Clique nos utilitários e downloads que deseja instalar e siga as instruções exibidas na tela.

Para mudar o idioma exibido no display

O idioma padrão usado pela impressora para exibir mensagens é o inglês. Para alterá-lo:

- 1 Selecione Optional Utilities>Change the Printer Display Language (Utilitários opcionais > Mudar o idioma do display da impressora) na barra de menus do programa de instalação no CD.
- 2 Siga as instruções exibidas na tela.

>Instale o Manual do Usuário

- 1 Selecione Driver Setup (Instalação do driver) na barra de menus do Programa de Instalação no CD.
- 2 Clique em Install User's Guide (Instalar Manual do Usuário).
- 3 Siga as instruções exibidas na tela para instalar o manual no computador.
- 4 Para exibir o manual, clique em Iniciar>Programas>Okidata B410d/B410dn/B420dn/B430dn User Guide.

Nota: Para abrir o manual eletrônico do usuário, é preciso ter o programa Adobe® Acrobat® Reader 5.0 ou posterior instalado.

Ative as opções da impressora

Se a bandeja de papel opcional estiver instalada, ela deve ser ativada no driver da impressora.

- 1 Clique em Iniciar>Configurações>Impressoras na barra de tarefas do Windows.
- 2 Clique com o botão direito do mouse no ícone da impressora e selecione Propriedades.
- 3 Clique na guia Device Options (Opções do dispositivo).
- 4 Marque Lower Cassette (Bandeja inferior).
- 5 Clique em OK para ativar as configurações.

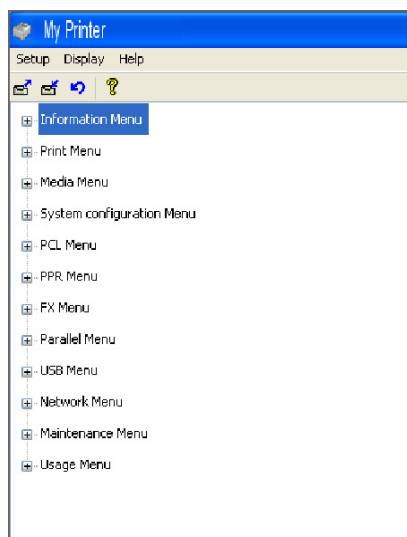
Nota: Se memória opcional estiver instalada, siga as instruções de instalação fornecidas com o cartão de memória.

Printer Menu Setup Tool (Ferramenta de configuração dos menus da impressora)

O aplicativo Printer Menu Setup Tool (Ferramenta de configuração dos menus da impressora) permite visualizar e alterar as configurações internas da impressora. Ele pode ser considerado como o equivalente do display do painel de operação em formato de software.

As configurações são agrupadas em categorias ou "menus", por exemplo, Information Menu (Menu Informações) ou Print Menu (Menu Impressão).

Nota: As configurações no menu podem ser substituídas pelas configurações no driver da impressora ou no aplicativo.



Como usar o aplicativo Printer Menu Setup Tool

Na barra de tarefas do Windows selecione Iniciar>Programas>Okidata> Printer Menu Setup Tool. O menu da impressora será exibido.

Para imprimir as configurações da estrutura de menus:

- 1 Expanda o menu Information (Informações).
- 2 Clique em Print Menu Map (Imprimir estrutura de menus) e, em seguida, clique em Execute (Executar).

Os menus também podem ser impressos a partir do painel de operação da impressora usando o botão Online:

- 1 Pressione o botão Online para colocar a impressora fora de linha.
- 2 Pressione e mantenha pressionado o botão Online durante pelo menos quatro segundos, mas menos de sete segundos.
- 3 A impressora imprimirá uma lista das configurações dos menus e uma página de demonstração.

Para obter informações adicionais sobre a impressora, consulte o Manual do Usuário em formato eletrônico.

B410dn – Instalação em Windows

Instale o driver em uma rede

Imprima a estrutura (mapa) dos menus

- 1 Pressione o botão Online para colocar a impressora fora de linha.
- 2 Pressione e mantenha pressionado o botão Online durante pelo menos quatro segundos, mas menos de sete segundos.
- 3 A impressora imprimirá uma lista das configurações dos menus e uma página de demonstração.

Guarde as folhas para consulta: elas contêm informações necessárias para configurar a impressora na rede.

Instale o driver

- 1 Insira o CD na unidade de CD-ROM. O CD será executado automaticamente.
- 2 Selecione o idioma desejado.
- 3 Se aceitar o contrato de licença, clique em "I Agree" (Concordo).
- 4 Selecione Driver Setup (Instalação do driver) e, em seguida, clique em Install Driver (Instalar driver).
- 5 Selecione Network Printer (Impressora de rede).
- 6 Selecione Directly to the network using TCP/IP (Diretamente na rede usando TCP/IP).
- 7 Selecione Search Address (Procurar endereço) para localizar a impressora na rede ou digite o endereço IP. O endereço IP está disponível na opção Print Menu Map (Imprimir estrutura dos menus) no menu da rede (Network Menu).
- 8 Siga as instruções exibidas na tela.

Teste a instalação do driver da impressora

Imprima uma página de teste para confirmar se o driver da impressora está instalado corretamente.

- 1 Na barra de tarefas do Windows, clique em Iniciar/Configurações/Impressoras.
- 2 Clique com o botão direito do mouse no modelo da impressora e, em seguida clique em Propriedades.

- 3 Clique no botão Print Test Page (Imprimir página de teste). Reinstale o driver se a instalação tiver falhado.

Instale os utilitários e downloads

Nota: É necessário estar conectado à Internet para instalar os downloads da Internet.

- 1 Selecione Optional Utilities (Utilitários opcionais) ou Internet Downloads (Downloads da Internet) na barra de menus do Programa de Instalação no CD.
- 2 Clique nos utilitários e downloads que deseja instalar e siga as instruções exibidas na tela.

Para mudar o idioma exibido no display

O idioma padrão usado pela impressora para exibir mensagens é o inglês. Para alterá-lo:

- 1 Selecione Optional Utilities>Change the Printer Display Language (Utilitários opcionais > Mudar o idioma do display da impressora) na barra de menus do programa de instalação no CD.
- 2 Siga as instruções exibidas na tela.

Instale o Manual do Usuário

- 1 Selecione Driver Setup (Instalação do driver) na barra de menus do Programa de Instalação no CD.
- 2 Clique em Install User's Guide (Instalar Manual do Usuário).
- 3 Siga as instruções exibidas na tela para instalar o manual no computador.
- 4 Para exibir o manual, clique em Iniciar>Programas>OkiData B410d/B410dn/B420dn/B430dn User Guide.

Nota: Para abrir o manual eletrônico do usuário, é preciso ter o programa Adobe® Acrobat® Reader 5.0 ou posterior instalado.

Para ativar os opcionais da impressora em um ambiente de rede

Se a bandeja de papel opcional estiver instalada ou se memória adicional estiver instalada, ela deve ser ativada no driver da impressora.

- 1 Clique em Iniciar>Configurações>Impressoras na barra de tarefas do Windows.

- 2 Clique com o botão direito do mouse no ícone da impressora e selecione Propriedades.
- 3 Clique na guia Device Options (Opções do dispositivo).
- 4 Clique na barra Get Printer Settings (Obter configurações da impressora). Uma lista de configurações da impressora aparecerá.
- 5 Clique em OK para ativar as configurações.

Configuração com um navegador da Internet (opcional)

Se estiver trabalhando em um ambiente habilitado para TCP/IP, é possível usar um navegador da Internet para exibir o status da impressora ou do trabalho de impressão e mudar as configurações em uma página da Web embutida.

- 1 Abra o navegador de Internet (Microsoft Explorer^{®/™}, Netscape Navigator[™] 4.4 ou posterior, Mozilla[®], Firefox[®]).
- 2 Digite o endereço IP da impressora [localize o endereço na opção Print Menu Map (Imprimir estrutura de menus), no menu da rede (Network Menu)].
- 3 Quando a página da Web aparecer, selecione entre as categorias na lista de menus.

Nota: O recurso de página da Internet só está disponível quando a impressora está conectada à rede.

Instalação do driver para uma configuração de porta USB ou paralela

Para instalar a B410dn em uma configuração USB ou paralela, siga as instruções fornecidas na página 41 para instalar o driver da impressora na B410d.

Printer Menu Setup Tool (Ferramenta de configuração dos menus da impressora)







O aplicativo Printer Menu Setup Tool (Ferramenta de configuração dos menus da impressora) permite visualizar e alterar as configurações internas da impressora. Para obter informações, consulte a página 42.

Para obter informações adicionais sobre a impressora, consulte o Manual do Usuário em formato eletrônico.

B420dn e B430dn – Instalação em Windows

Instalação do driver em uma rede

Imprima a estrutura (mapa) dos menus

- 1 Pressione o botão Menu  ou  no painel de controle para selecionar Information Menu (Menu Informações).
- 2 Pressione o botão .
- 3 Pressione o botão  ou  para selecionar Network (Rede).
- 4 Pressione o botão  para imprimir a estrutura dos menus.

Guarde as folhas para consulta: elas contêm informações necessárias para configurar a impressora na rede.

Instale o driver

- 1 Insira o CD na unidade de CD-ROM. O CD será executado automaticamente.
- 2 Selecione o idioma desejado.
- 3 Se aceitar o contrato de licença, clique em "I Accept" (Aceito).
- 4 Selecione a guia Driver Setup (Instalação do driver) e, em seguida, clique em Install Driver (Instalar driver).
- 5 Selecione Network Printer (Impressora de rede).
- 6 Selecione Directly to the network using TCP/IP (Diretamente na rede usando TCP/IP).
- 7 Digite o endereço IP (localize o endereço na opção Print Menu Map (Imprimir estrutura dos menus) no menu da rede (Network Menu)] ou selecione Search Address (Procurar endereço) para localizar a impressora na rede.
- 8 Siga as instruções exibidas na tela.

Instalação do driver para uma configuração de porta USB ou paralela

- 1 Insira o CD na unidade de CD-ROM. O CD será executado automaticamente.
- 2 Selecione o idioma desejado.
- 3 Se aceitar o contrato de licença, clique em "I Agree" (Concordo).

- 4 Selecione a guia Driver Setup (Instalação do driver) e, em seguida, clique em Install Driver (Instalar driver).
- 5 Selecione Local Printer (Impressora local).
- 6 Selecione a porta: USB ou LPT1 (paralela).
- 7 Selecione o modelo da impressora a ser instalada.
- 8 Se o modelo for a B430dn, selecione o tipo de emulação da impressora (PCL ou PS).
- 9 Siga as instruções exibidas na tela.

Teste a instalação do driver da impressora

Imprima uma página de teste para confirmar se o driver da impressora está instalado corretamente.

- 1 Na barra de tarefas do Windows, clique em Iniciar/Configurações/Impressoras.
- 2 Clique com o botão direito do mouse no modelo da impressora e, em seguida clique em Propriedades.
- 3 Clique no botão Print Test Page (Imprimir página de teste). Reinstale o driver se a instalação tiver falhado.

Instale os utilitários e downloads

Nota: É preciso estar conectado à Internet para instalar os downloads da Internet.

- 1 Selecione Optional Utilities (Utilitários opcionais) ou Internet Downloads (Downloads da Internet) na barra de menus do Programa de Instalação no CD.
- 2 Clique nos utilitários e downloads que deseja instalar e siga as instruções exibidas na tela.

Para mudar o idioma exibido no display

O idioma padrão usado pela impressora para exibir mensagens é o inglês. Para alterá-lo:

- 1 Selecione Optional Utilities>Change the Printer Display Language (Utilitários opcionais > Mudar o idioma do display da impressora) na barra de menus do programa de instalação no CD.
- 2 Siga as instruções exibidas na tela.

Instale o Manual do Usuário

- 1 Selecione Driver Setup (Instalação do driver) na barra de menus do Programa de Instalação no CD.

- 2 Clique em Install User's Guide (Instalar Manual do Usuário).
- 3 Siga as instruções exibidas na tela para instalar o manual no computador.
- 4 Para exibir os manuais, clique em Iniciar>Programas>OkiData B410d/B410dn/B420dn/B430dn User Guide.

Nota: Para abrir o manual eletrônico do usuário, é preciso ter o programa Adobe® Acrobat® Reader 5.0 ou posterior instalado.

Ative os opcionais da impressora em um ambiente de rede

Se a bandeja de papel opcional estiver instalada, ela deve ser ativada no driver da impressora.

- 1 Clique em Iniciar>Configurações>Impressoras na barra de tarefas do Windows.
- 2 Clique com o botão direito do mouse no ícone da impressora e selecione Propriedades.
- 3 Clique na guia Device Options (Opções do dispositivo).
- 4 Clique na barra Get Printer Settings (Obter configurações da impressora). Uma lista de configurações da impressora aparecerá.
- 5 Clique em OK para ativar as configurações.

Ative os opcionais da impressora em um ambiente que não seja de rede

- 1 Siga as etapas 1 a 3 acima.
- 2 Marque Lower Cassette (Bandeja inferior).
- 3 Clique em OK para ativar as configurações.

Nota: Se memória opcional estiver instalada, siga as instruções de instalação fornecidas com o cartão de memória.

Configuração com um navegador da Internet (opcional)

Se estiver trabalhando em um ambiente habilitado para TCP/IP, é possível usar um navegador da Internet para exibir o status da impressora ou do trabalho de impressão e mudar as configurações em uma página da Web embutida.

- 1 Abra o navegador de Internet (Microsoft Explorer^{®/™}, Netscape Navigator[™] 4.4 ou posterior, Mozilla[®], Firefox[®]).
- 2 Digite o endereço IP da impressora. [Localize o endereço em Print Menu Map (Imprimir estrutura dos menus) no menu da rede (Network Menu)].
- 3 Quando a página da Web aparecer, selecione entre as categorias na lista de menus.

Macintosh[®]

Os drivers da impressora são compatíveis com OS 10.2.8 e posterior.

Conecte o cabo

Ver "Computer Connection" na página 6

Nota: O funcionamento da impressora não é garantido se outro dispositivo compatível com USB estiver conectado ao mesmo tempo que ela.

Instale o driver da impressora

- 1 Ligue a impressora e, em seguida, ligue o computador.
- 2 Coloque o CD na unidade de CD-ROM.
- 3 Clique duas vezes no ícone do CD exibido na área de trabalho.
- 4 Abra a pasta MAC.
- 5 Abra a pasta OSX.
- 6 Abra a pasta do programa de instalação do driver.
- 7 Abra a pasta Multilingual (Multilíngüe). O Programa de Instalação instalará automaticamente o idioma selecionado no sistema operacional.
- 8 Selecione PCL ou selecione PS (apenas B430).
- 9 Siga as instruções exibidas na tela.

Adicione a impressora

- 1 Inicie a Print Center (Central de Impressão) ou o Printer Setup Utility (Utilitário de instalação da impressora).
- 2 Clique em Add (Adicionar).
- 3 Clique em More Printers (Mais impressoras).
- 4 Selecione OKI USB, OKI TCP/IP ou Bonjour no menu suspenso.

Nota: Se a conexão for USB, selecione OKI USB e ignore a etapa 3.

- 5 Digite o endereço IP da impressora (modelos B410dn/ B420dn/B430dn).
- 6 Saia da Print Center (Central de Impressão).

Instale os utilitários

- 1 Insira o CD na unidade de CD-ROM.
- 2 Clique duas vezes no ícone do CD exibido na área de trabalho.
- 3 Abra a pasta Mac.
- 4 Clique duas vezes no ícone do OSX.
- 5 Clique duas vezes no ícone do Programa de Instalação.
- 6 Clique em Multilingual (Multilíngüe).
- 7 Clique em OSX B400 Series Utilities (Utilitários da Série B400 para OSX). Siga as instruções exibidas na tela.
- 8 Quando a lista de utilitários aparecer, marque os utilitários que deseja instalar.

Uso da página da Internet para configurar a impressora (opcional)

Se estiver trabalhando em um ambiente habilitado para TCP/IP, é possível usar um navegador da Internet para exibir o status da impressora ou do trabalho de impressão e mudar as configurações em uma página da Web embutida. Digite o endereço IP da impressora [localize o endereço na opção Print Menu Map (Imprimir estrutura de menus), no menu da rede (Network Menu)]. Selecione entre as categorias na lista de menus à esquerda.

Nota: O recurso de página da Internet só está disponível quando a impressora está conectada à rede.

Instale a documentação

Nota: É necessário ter o Adobe® Acrobat® Reader 5.0 ou posterior para visualizar os manuais.

- 1 Coloque o CD de instalação do software na unidade de CD-ROM.
- 2 Clique duas vezes no ícone do CD exibido na área de trabalho.
- 3 Instale os manuais a partir do diretório raiz.

Para carregar o arquivo: arraste o arquivo .pdf para a área de trabalho

Para visualizar o arquivo: clique duas vezes nele.

Assistência técnica e suporte

- Visite nosso site multilíngüe na Web: www.okiprintingsolutions.com
- Ligue para (11) 3444-6747 (Grande São Paulo) ou 0800-11-55-77 (Demais localidades)

Trademark Information

OKI, OkiLAN ® Oki Electric Industry Company, Ltd. Microsoft, Windows, Windows Vista, Internet Explorer ®/™ Microsoft Corporation in the United States and other countries. Netscape, Netscape Navigator U.S. ™, Netscape Communications Corporation. Adobe, Acrobat, Acrobat Reader, PostScript ™ Adobe Systems, Inc. which may be registered in certain jurisdictions. Ethernet ® Digital Equipment Corporation. EtherTalk, LaserWriter, Mac, Macintosh ® Apple Computer, Inc., Velcro ® Velcro Industries, Mozilla and Firefox ®/™ Mozilla Foundation.