

C612/C712/ES6412/ES7412

OKI



User's Guide



PREFACE

Every effort has been made to ensure that the information in this document is complete, accurate, and up-to-date. The manufacturer assumes no responsibility for the results of errors beyond its control. The manufacturer also cannot guarantee that changes in software and equipment made by other manufacturers and referred to in this guide will not affect the applicability of the information in it. Mention of software products manufactured by other companies does not necessarily constitute endorsement by the manufacturer.

While all reasonable efforts have been made to make this document as accurate and helpful as possible, we make no warranty of any kind, expressed or implied, as to the accuracy or completeness of the information contained herein.

The most up-to-date drivers and manuals are available from:

<https://www.oki.com/printing/>

© 2016 Oki Electric Industry Co., Ltd.

OKI is a registered trademark of Oki Electric Industry Co., Ltd.

Energy Star is a trademark of the United States Environmental Protection Agency.

Microsoft, Windows, Windows Server and Windows Vista are registered trademarks of Microsoft Corporation.

Apple, Macintosh, Rosetta, Mac and Mac OS are registered trademarks of Apple Inc.

Other product names and brand names are registered trademarks or trademarks of their proprietors.



This product complies with the requirements of the Council Directives 2014/30/EU (EMC), 2014/35/EU (LVD), 2014/53/EU (RED), 2009/125/EC (ErP) and 2011/65/EU (RoHS), as amended where applicable, on the approximation of the laws of the member states relating to Electromagnetic Compatibility, Low Voltage, Radio & Telecommunications Terminal Equipment, Energy related Products and Restriction on the use of certain Hazardous Substances in electrical and electronic equipment.

The following cables were used to evaluate this product for EMC directive 2014/30/EU compliance, and configurations other than this may affect that compliance.

CABLE TYPE	LENGTH (METRE)	CORE	SHIELD
Power	1.8	x	x
USB	5.0	x	✓
LAN	15.0	x	x

The following notations may be used in this manual.

- C612/ES6412 -> C612
- C712/ES7412 -> C712

ENERGY STAR

Target countries of the ENERGY STAR program are the United States, Canada and Japan. It is not applicable to other countries.

This product is compliant with ENERGY STAR v2.0 only.

EMERGENCY FIRST AID

Take care with toner powder:

If swallowed, give small amounts of cold water and seek medical attention. DO NOT attempt to induce vomiting.



If inhaled, move the person to an open area for fresh air. Seek medical attention.

If it gets into the eyes, flush with large amounts of water for at least 15 minutes keeping eyelids open. Seek medical attention.

Spillages should be treated with cold water and soap to help reduce risk of staining skin or clothing.

ENVIRONMENTAL INFORMATION



CONTENTS

- Preface 2**
- Energy star 3**
- Emergency first aid 3**
- Environmental information 3**
- Contents 4**
- Notes, cautions and warnings 6**
- About this guide 7**
 - Documentation suite 7
 - On-line usage 8
 - Printing pages 8
- Introduction 9**
 - Printer overview 10
 - Front view 10
 - Rear view 12
 - Changing the display language 13
 - Getting started 13
 - Turning On the Power 13
 - Turning Off the Power 14
 - Power saving mode 14
- Paper recommendations 15**
 - Cassette trays 16
 - Multi purpose tray 16
 - Output tray (face down) 16
 - Rear output tray (face up) 16
 - Duplex unit 17
- Loading paper 18**
 - Cassette trays 18
 - Multi purpose tray 21
- Operation 22**
- Menu functions 23**
 - Operator panel: 23
 - How to change the settings - user 24
 - How to change the settings - administrator 24
 - Print From USB Memory 25
 - Print 25
 - Configuration menu 26
 - Print information menu 28
 - Menus 29
 - Admin setup 33
 - Print Statistics 46
 - Calibration 47
 - Google Cloud Print 48
 - Wireless(Infrastructure) Setting 49
 - Wireless(AP Mode) Setting 50
 - Boot menu 51
- Maintenance 53**
 - Replacing consumable items 53
 - Toner cartridge replacement 53
 - Image drum replacement 56
 - Replacing the transfer belt unit 59
 - Fuser replacement 61

Cleaning63
...the unit casing63
...the LED head63
...the paper feed rollers64
Installing upgrades65
Duplex unit65
Memory upgrade66
SD card69
Wireless LAN module71
Connecting in Wireless LAN(Infrastructure Mode)73
Connecting in Wireless LAN(AP Mode)76
Additional paper tray(s)78
Setting the driver device options79
Storage cabinet79
Troubleshooting80
Major printer components and paper path80
Paper sensor error codes81
Clearing paper jams82
Before Machine Disposal88
Specifications89
Index90
Contact Us91

NOTES, CAUTIONS AND WARNINGS

NOTE

A note provides additional information to supplement the main text.

CAUTION!

A caution provides additional information which, if ignored, may result in equipment malfunction or damage.

WARNING!

A warning provides additional information which, if ignored, may result in a risk of personal injury.

For the protection of your product, and in order to ensure that you benefit from its full functionality, this model has been designed to operate only with genuine original toner cartridges. Any other toner cartridge may not operate at all, even if it is described as "compatible", and if it does work, your product's performance and print quality may be degraded.

Use of non-genuine products may invalidate your warranty.

Specifications subject to change without notice. All trademarks acknowledged.

ABOUT THIS GUIDE

NOTE

Images used in this manual may include optional features that your product does not have installed.

DOCUMENTATION SUITE

This guide is part of a suite of online and printed documentation provided to help you become familiar with your product and to make the best use of its many powerful features. The documentation is summarised below for reference and is found on the manuals DVD unless indicated otherwise:


- > **Installation Safety booklet:** provides information for safe use of your product.
This is a paper document that is packaged with the product and should be read before setting up your machine.
- > **Set-up guide:** describes how to unpack, connect and turn on your product.
This is a paper document that is packaged with the product.
- > **User's Guide:** helps you become familiar with your product and make the best use of its many features. Also included are guidelines for troubleshooting and maintenance to ensure that it performs at its best. Additionally, information is provided for adding optional accessories as your printing needs evolve.
- > **Network Guide:** helps you become familiar with the functionality of the built in network interface card.
- > **Printing Guide:** helps you become familiar with the many features of the driver software supplied with your product.
These are paper documents that are packaged with the consumables and optional accessories.
- > **On-line Help:** on-line information accessible from the printer driver and utility software.

Depending on your OS, model or version, the description on this document may be different.

ON-LINE USAGE

This guide is intended to be read on screen using Adobe Reader. Use the navigation and viewing tools provided in Adobe Reader.

There are many cross-references within this book, each highlighted as [blue text](#). When you click on a cross-reference the display will instantly jump to the part of the manual containing the referenced material.

By using the  button in Adobe Reader, you can navigate directly back to where you were before.

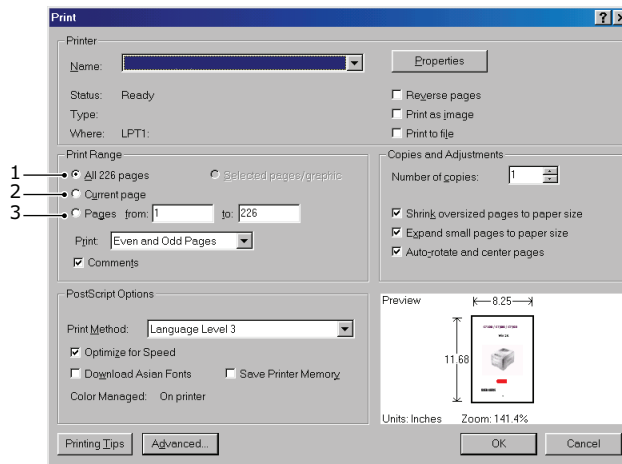
You can access specific information in two ways:

- > In the list of bookmarks down the left hand side of your screen, click on the topic of interest to jump to the required topic. (If the bookmarks are not available, use the ["Contents" on page 4.](#))
- > In the list of bookmarks, click on Index to jump to the Index. (If the bookmarks are not available, use the ["Contents" on page 4.](#)) Find the term of interest in the alphabetically arranged index and click on the associated page number to jump to the page containing the term.

PRINTING PAGES

The whole manual, individual pages, or sections may be printed. The procedure is:

1. From the toolbar, select **File > Print** (or press the **Ctrl + P** keys).
2. Choose which pages you wish to print:
 - (a) **All pages**, (1), for the entire manual.
 - (b) **Current page**, (2), for the page at which you are looking.



- (c) **Pages from and to**, (3), for the range of pages you specify by entering their page numbers.
- (d) Click **OK**.

INTRODUCTION

Congratulations on choosing this colour printer. Your new printer is designed with advanced features to give you clear, vibrant colour prints and crisp black and white pages at high speed on a range of print media for the office.

Your printer includes these features:

- > ProQ2400, multi-level technology produces subtler tones and smoother gradations of colour to lend photographic quality to your documents.
- > 600 x 600, 1200 x 600 dpi (dots per inch) and ProQ2400 print resolution for high quality image production showing the finest detail.
- > Internet Protocol version 6 (IPv6).
- > Single Pass colour Digital LED technology for high speed processing of your printed pages.
- > PostScript 3, PCL 5C, PCL 6, XPS, IBM PPR and Epson FX emulations for industry standard operation and wide compatibility with most computer software.
- > 10Base-T, 100Base-TX and 1000Base-T network connection lets you share this valuable resource among users on your office network.
- > Photo Enhance mode to improve printouts of photographic images (Windows PCL driver only).

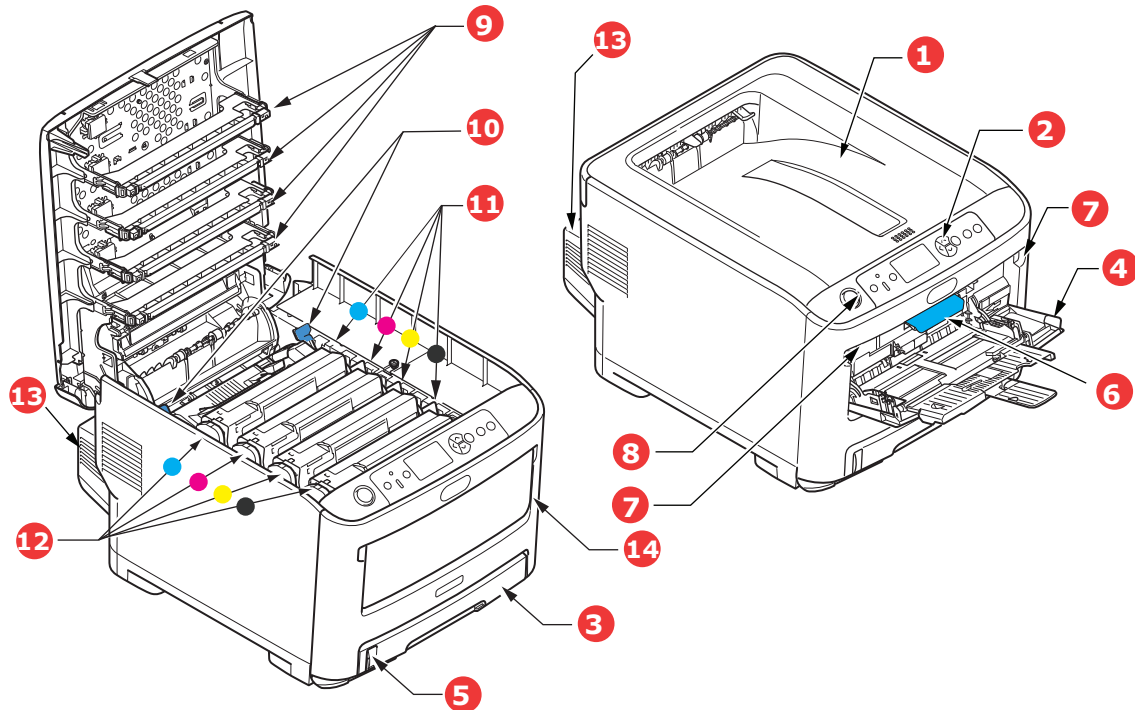
Additionally, the following optional features are also available:

- > Automatic two-sided (duplex) printing for economical use of paper and compact printing of larger documents (standard on dn models).
- > Additional paper tray for loading a further 530 sheets to minimise operator intervention, or different paper stocks for letterhead stationery, alternative paper sizes or other print media.
- > Additional memory allows printing of more complex pages. For example, high resolution banner printing.
- > SD card for storage of overlays, macros and downloadable fonts, and automatic collation of multiple copies of multipage documents and the download of ICC Profiles.
- > Storage Cabinet.
- > Wireless LAN.

PRINTER OVERVIEW

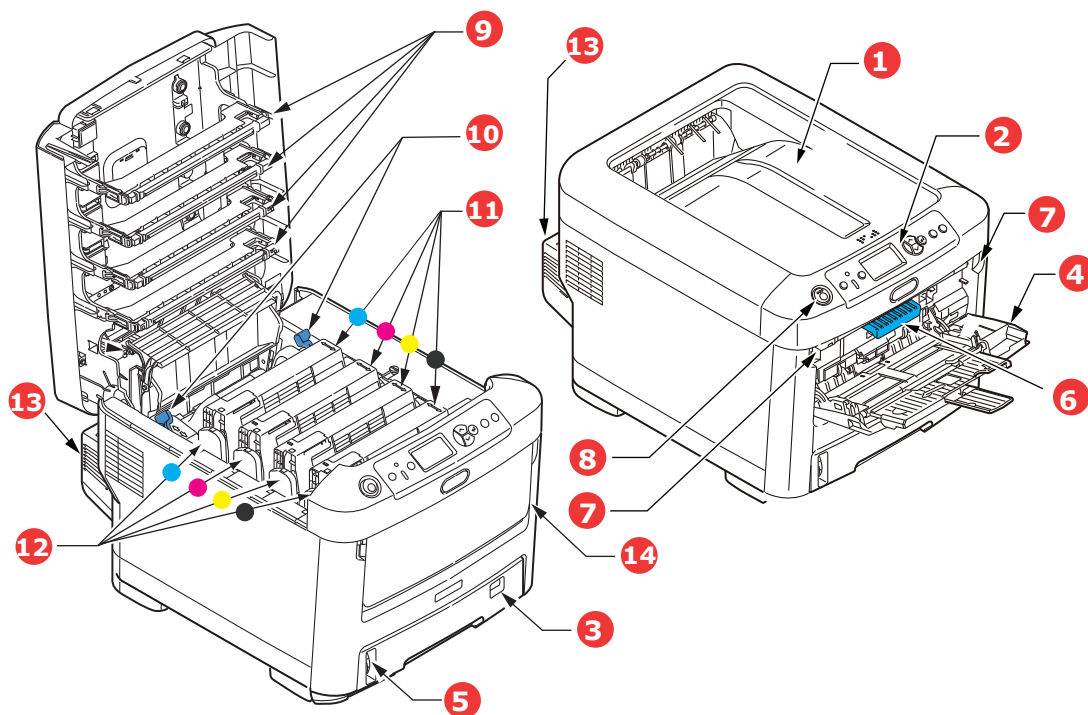
FRONT VIEW

C612/ES6412



1. Output tray (face down).
Standard printed copy delivery point. Holds up to 250 sheets at 80g/m².
 2. Operator panel.
Menu driven operator controls and LCD panel^a.
 3. Paper tray.
Standard paper tray. Holds up to 300 sheets of 80g/m² paper.
 4. Multi purpose tray.
Used for feeding heavier paper stocks, envelopes and other special media. Also for manual feeding of single sheets when required.
 5. Paper level indicator.
 6. Front cover release lever.
 7. Multi-purpose tray release recess.
 8. Output tray release button.
 9. LED heads.
 10. Fuser release levers.
 11. Toner cartridges (C,M,Y,K).
 12. ID units (C,M,Y,K).
 13. Duplex unit (when fitted).
 14. Power switch.
- a. The display language can be changed to show different languages. (see ["Changing the display language"](#) on page 13).

C712/ES7412

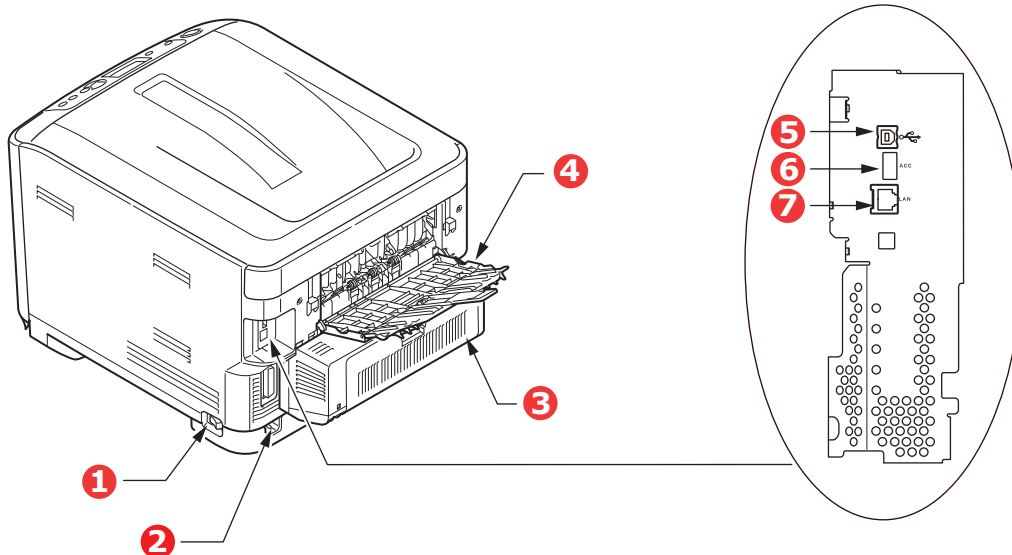


- | | |
|---|---------------------------------------|
| 1. Output tray (face down).
Standard printed copy delivery point. Holds up to 350 sheets at 80g/m ² . | 5. Paper level indicator. |
| 2. Operator panel.
Menu driven operator controls and LCD panel ² . | 6. Front cover release lever. |
| 3. Paper tray.
Standard paper tray. Holds up to 530 sheets of 80g/m ² paper. | 7. Multi-purpose tray release recess. |
| 4. Multi purpose tray.
Used for feeding heavier paper stocks, envelopes and other special media. Also for manual feeding of single sheets when required. | 8. Output tray release button. |
| | 9. LED heads. |
| | 10. Fuser release levers. |
| | 11. Toner cartridges (C,M,Y,K). |
| | 12. ID units (C,M,Y,K). |
| | 13. Duplex unit (when fitted). |
| | 14. Power switch. |
- a. The display language can be changed to show different languages. (see ["Changing the display language"](#) on page 13).

REAR VIEW

This view shows the connection panel, the rear output stacker and the location of the optional duplex (two-sided printing) unit.

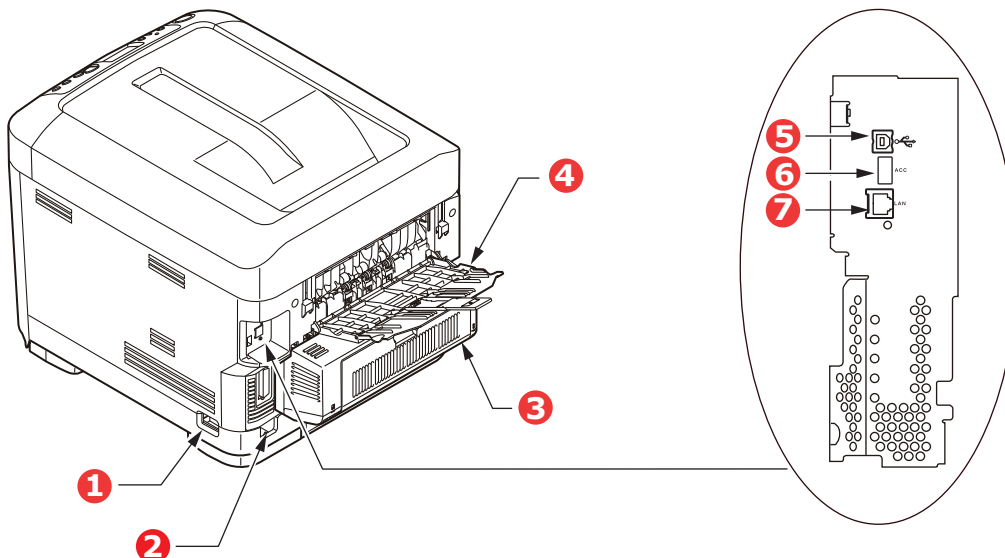
C612/ES6412



1. Main power switch.
2. AC power socket.
3. Duplex unit (when fitted).
4. Rear output tray (face up stacker).
5. USB interface.
6. ACC interface (host USB).
7. Network interface.^a

a. The Network Interface may have a protective "plug" which must be removed before connection can be made.

C712/ES7412



1. Main power switch.
2. AC power socket.
3. Duplex unit (when fitted).
4. Rear output tray (face up stacker).
5. USB interface.
6. ACC interface (host USB).
7. Network interface.^a

a. The Network Interface may have a protective "plug" which must be removed before connection can be made.

When the rear paper stacker is folded down paper exits the printer through the rear of the printer and is stacked here face up. This is mainly used for heavy print media. When used in conjunction with the multi purpose feed tray, the paper path through the printer is essentially straight. This avoids bending the paper around curves in the paper path and enables feeding of up to 250g/m² media.

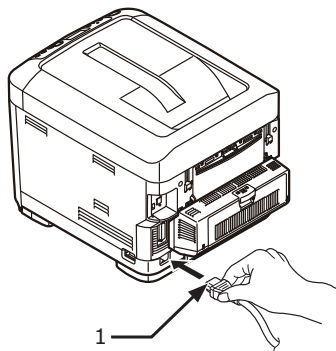
CHANGING THE DISPLAY LANGUAGE

This can be set in the menu (**Admin Setup > Others Setup > Language Setup > Select Language**) from the operator panel.

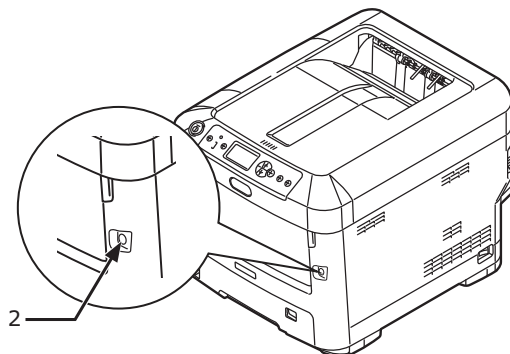
GETTING STARTED

TURNING ON THE POWER

1. Plug the AC cord (1) into the AC power socket of your printer.



2. Plug the AC cord into the electric socket.
3. Turn on the main power switch.
4. Hold down the power switch (2) for about 1 second to turn on the power.



The Power switch LED indicator lights up when the printer turns on.

The message "**Ready To Print**" is displayed in the operator panel once printer is ready.

TURNING OFF THE POWER

1. Hold down the power switch (2) for about a second.

The message "**Shutting down. Please wait. Printer will turn off automatically**" appears in the operator panel, and the power switch indicator blinks every 1 second. Then the printer turns off automatically and the power switch indicator goes out.

NOTE

- > *It may take about 5 minutes to turn off the power. Wait until it turns off.*
 - > *Holding down the power switch for more than 5 seconds turns off printer forcibly. Only perform this procedure when a problem occurs.*
-

2. Turn the main power switch off.

POWER SAVING MODE

If you do not use the machine for a while, it will enter the power saving mode to control the power consumption of the device. To cancel or initiate power saving mode, press the **Power Save / Wake Up** button on the control panel.

PAPER RECOMMENDATIONS

Your printer will handle a variety of print media, including a range of paper weights and sizes, labels and envelopes. This section provides general advice on choice of media, and explains how to use each type.

The best performance will be obtained when using standard 75~90g/m² paper designed for use in copiers and laser printers. Suitable types are:

- > M-Real Data Copy Everyday 80g/m²
- > Color Copy by Mondi 90g/m²

Use of heavily embossed or very rough textured paper is not recommended.

Pre-printed stationery

CAUTION!

Pre-printed stationery can be used, but the ink must not offset when exposed to the high fuser temperatures used in the printing process.

Continued use of pre-printed stationery may cause the paper feed performance to degrade over time and paper jams may occur. Clean the paper feed rollers as described on [page 64](#).

Envelopes

CAUTION!

Envelopes should be free from twist, curl or other deformations. They should also be of the rectangular flap type, with glue that remains intact when subjected to hot roll pressure fusing used in this type of printer. Window envelopes are not suitable.

Labels

CAUTION!

Labels should also be of the type recommended for use in copiers and laser printers, in which the base carrier page is entirely covered by labels. Other types of label stock may damage the printer due to the labels peeling off during the printing process.

Recommended type is Avery White Label types 7162, 7664, 7666 (A4), or 5161 (Letter).

CASSETTE TRAYS

SIZE	DIMENSIONS	WEIGHT (G/M ²)	
A6 ^a	105 x 148mm	Light	64 - 74g/m ²
A5	148 x 210mm	Medium Light	75 - 90g/m ²
B5	182 x 257mm	Medium	91 - 105g/m ²
Executive	184.2 x 266.7mm	Heavy	106 - 120g/m ²
A4	210 x 297mm	Ultra heavy1	121 - 188g/m ²
Letter	215.9 x 279.4mm	Ultra heavy2	189 - 220g/m ²
Legal 13in.	216 x 330mm	Ultra heavy3	221 - 250g/m ²
Legal 13.5in.	216 x 343mm		
Legal 14in.	216 x 356mm	Tray 1/2/3:	64 - 220g/m ²
		MP Tray:	64 - 250g/m ²

- a. **C712:** A6 printing from the MP Tray only.

If you have identical paper stock loaded in another tray (2nd or 3rd tray if you have one, or multi purpose tray) you can set the printer to automatically switch to the other tray when the current tray runs out of paper. When printing from Windows applications, this function is enabled in the driver settings. When printing from other systems, this function is enabled in the Print Menu. (See ["Menu functions" on page 23.](#))

MULTI PURPOSE TRAY

The multi purpose tray can handle the same sizes as the cassette trays but in weights up to 250g/m². For very heavy paper stock use the face up (rear) paper stacker. This ensures that the paper path through the printer is almost straight.

The multi purpose tray can feed paper widths from 76mm to 215.9mm and lengths from 127.0mm to 1320mm (banner printing).

For paper lengths exceeding 356mm (Legal 14in.) use paper stock between 90g/m² and 128g/m² and the face up (rear) paper stacker.

Use the multi purpose tray for printing on envelopes. Up to 10 envelopes can be loaded at one time, subject to a maximum stacking depth of 10mm.

OUTPUT TRAY (FACE DOWN)

C612: The output tray on the top of the printer can hold up to 250 sheets of 80g/m² standard paper, and can handle paper stocks up to 188g/m².

C712: The output tray on the top of the printer can hold up to 350 sheets of 80g/m² standard paper, and can handle paper stocks up to 188g/m².

Pages printed in reading order (page 1 first) will be sorted in reading order (last page on top, facing down).

REAR OUTPUT TRAY (FACE UP)

The rear output tray at the rear of the printer should be opened and the tray extension pulled out when required for use. In this condition paper will exit via this path, regardless of driver settings.

The rear output tray can hold up to 100 sheets of 80g/m² standard paper, and can handle stocks up to 250g/m².

Always use this stacker and the multi purpose feeder for paper stocks heavier than 188g/m².

DUPLEX UNIT

This option provides automatic two-sided printing on the same range of paper sizes as tray 2 (i.e. all cassette sizes except A6), using paper stocks from 64 - 220g/m².

NOTE

The duplex unit comes as standard with dn models.

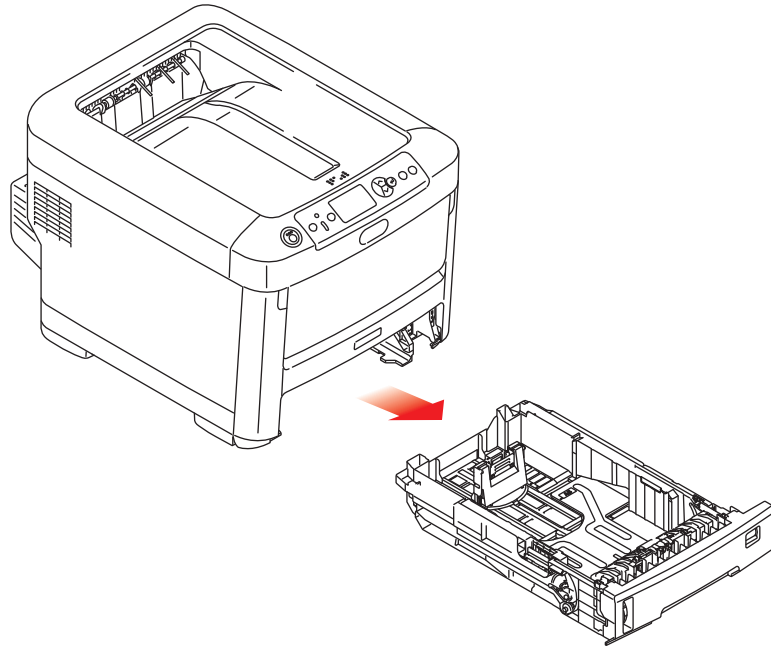
LOADING PAPER

NOTE

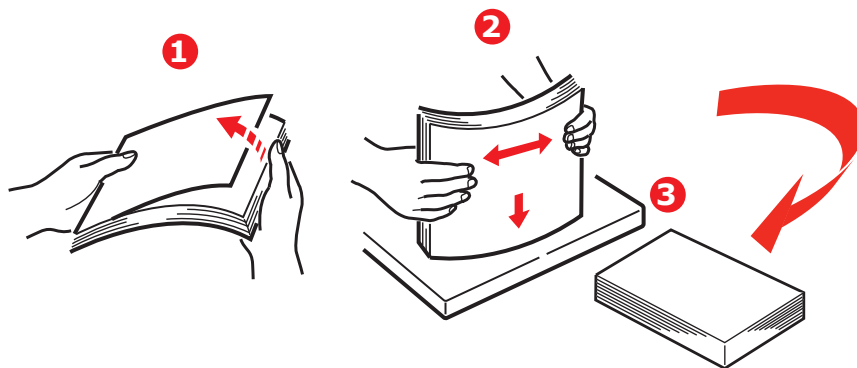
For illustrative purposes, the C712 printer has been shown. If you have a C612 printer, the principle is the same with any exceptions noted.

CASSETTE TRAYS

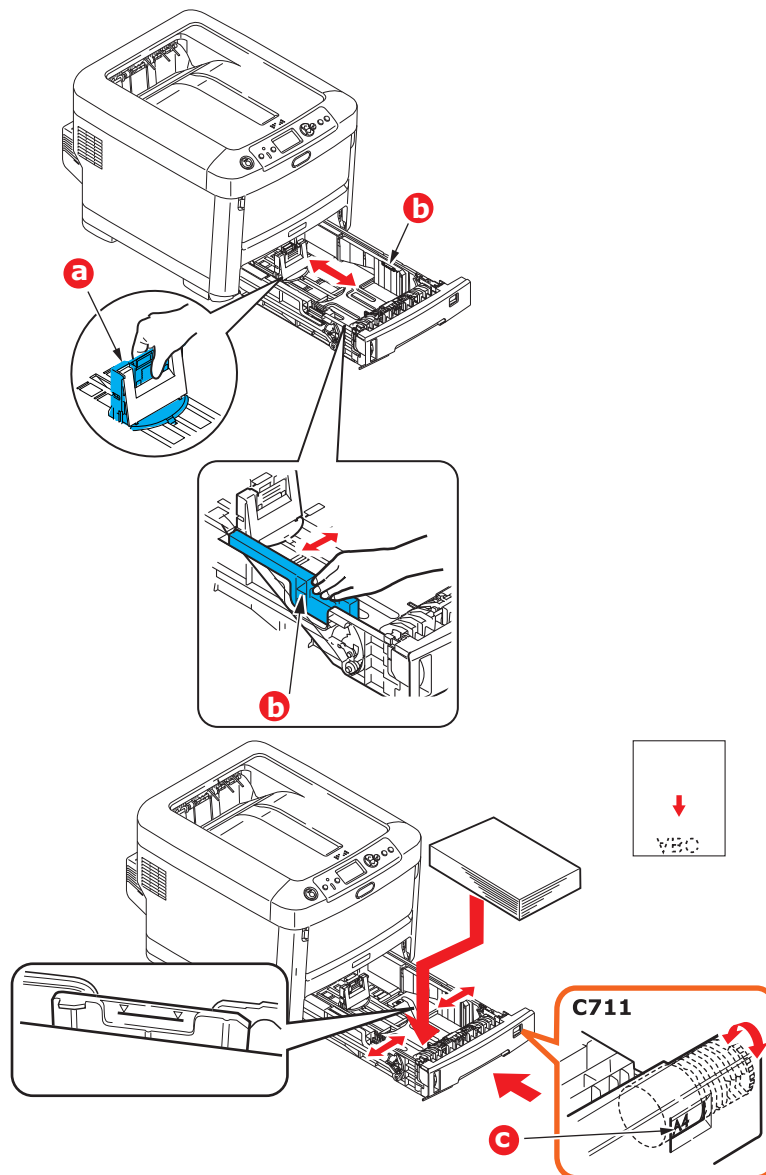
1. Remove the paper tray from the printer.



2. Fan the paper to be loaded at the edges (1) and in the middle (2) to ensure that all sheets are properly separated, then tap the edges of the stack on a flat surface to make it flush again (3).



3. Load paper (letter headed paper face down and top edge towards the front of the printer), as shown.



- > Adjust the rear stopper (a) and paper guides (b) to the size of paper being used.

CAUTION!

C712 ONLY: IMPORTANT: Set paper size dial (c) to the size of paper being used (A4 in the above example).

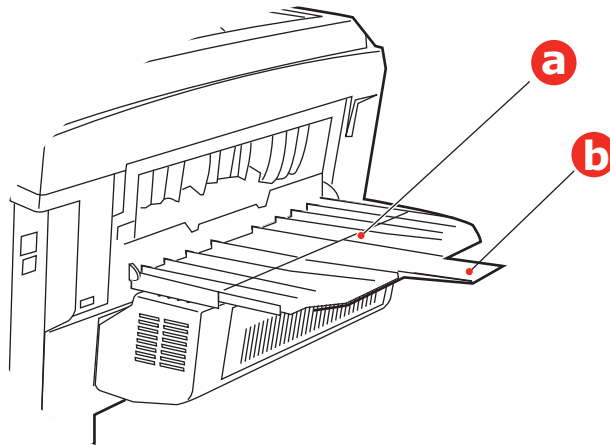
To prevent paper jams:

- > Do not leave space between the paper and the guides and rear stopper.
- > Do not overfill the paper tray. Capacity depends on the type of paper stock.
- > Do not load damaged paper.
- > Do not load paper of different sizes or types at the same time.
- > Close the paper tray gently.

- > Do not pull the paper tray out during printing (except as described below for the 2nd tray).

NOTE

- > *If you have two trays and you are printing from the 1st (upper) tray, you can pull out the 2nd (lower) tray during printing to reload it. However, if you are printing from the 2nd (lower) tray, do not pull out the 1st (upper) tray. This will cause a paper jam.*
 - > *For face down printing, make sure the rear output tray (a) is closed (the paper exits from the top of the printer). Stacking capacity is approximately 250 sheets for the C612 and 350 sheets for the C712, depending on paper weight.*
 - > *For face up printing, make sure the rear output tray (a) is open and the paper support (b) is extended. Paper is stacked in reverse order and tray capacity is approximately 100 sheets, depending on paper weight.*
 - > *Always use the rear output tray for heavy paper (card stock, etc.).*
-

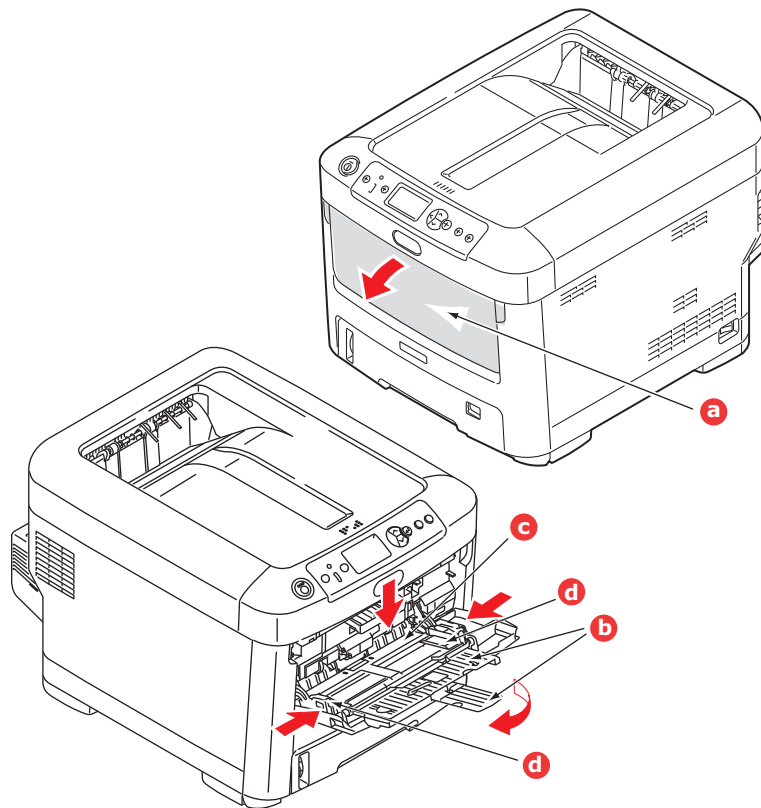


CAUTION!

Do not open or close the rear paper exit while printing as it may result in a paper jam.

MULTI PURPOSE TRAY

1. Open the multi purpose tray (a).
2. Fold out the paper supports (b).



3. Press gently down on the paper platform (c) to ensure it is latched down.
4. Load the paper and adjust the paper guides (d) to the size of paper being used.
 - > For single-sided printing on headed paper load the paper into the multi purpose tray with pre-printed side up and top edge into the printer.
 - > For two-sided (duplex) printing on headed paper load the paper with pre-printed side down and top edge away from the printer. (Optional duplex unit must be installed for this function.)
 - > Envelopes should be loaded face up with top edge to the left and short edge into the printer. Do not select duplex printing on envelopes.
 - > Do not exceed the paper capacity of about 100 sheets or 10 envelopes. Maximum stacking depth is 10mm.
5. Press the tray latch button inwards to release the paper platform, so that the paper is lifted and gripped in place.
6. Set the correct paper size for the multi purpose tray in the Media Menu (see ["Menu functions" on page 23](#)).

OPERATION

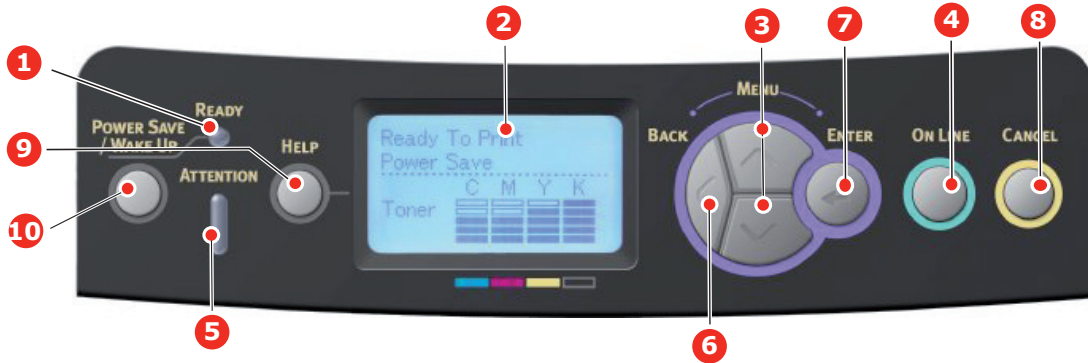
For full details of how to use the machine and any optional accessories to print jobs efficiently and effectively, please refer to the Printing Guide and the Barcode Guide.

For full details of how to access and use the printer security features, please refer to the Security Guide.

MENU FUNCTIONS

This section lists the menus accessed via the controls on the printer’s operator panel and displayed in the LCD window.

OPERATOR PANEL:



1. Ready LED	ON: Ready to receive data. BLINKING: Processing data. OFF: Offline.	2. Display	Displays the printer status and any error messages.
3. Menu Scroll Buttons	Enters the Menu mode. In Menu mode, forwards or reverses the menu item displayed. Press for 2 secs. or longer to jump from top to bottom.	4. On Line Button	Switches between Online and Offline . Exits the menu and goes Online when pressed in the Menu mode. Scrolls the Help screen. Forces printing on the paper currently loaded when pressed with Wrong paper or Wrong paper size displayed.
5. Attention LED	ON: A warning occurs. Printing may be possible (e.g low toner). BLINKING: An error occurs. Printing not possible (e.g. toner empty). OFF: Normal condition.	6. Back Button	Returns to the previous higher level menu item. Pressing this button for more than 4 seconds initiates the printer shutdown procedure, select Yes to continue or No to abort.
7. Enter Button	In the Online or Offline mode: enters the Menu mode. In the Menu mode: determines the setting selected.	8. Cancel Button	Deletes the data being printed or received when pressed for two seconds or longer. Deletes the data when pressed for two seconds or longer with Wrong paper size, Run out of paper, Tray 1 is open, or Tray 1 is not found is displayed . Exits the menu and goes Online when pressed in the Menu mode.
9. Help Button	Provides advice when an error such as incorrect paper size occurs.	10. Power Save/ Wake Up Button	Pressing this button switches the machine into sleep or wake-up mode. Refer to "Power saving mode" on page 14.

HOW TO CHANGE THE SETTINGS - USER

It should be noted that many of these settings can be, and often are, overridden by settings in the printer drivers. However, several of the driver settings can be left at "Printer Setting", which will then default to the settings entered in these printer menus.

Where applicable, factory default settings are shown in bold type in the following tables.

In the normal operating condition, known as "standby," the printer's LCD window will show **Ready to Print**. In this condition, to enter the menu system, press the **up** and **down** Menu buttons on the operator panel to move up and down through the list of menus until the menu you wish to view is displayed. Then proceed as follows:

1. Press **Enter** to enter the menu.
2. Use the **up** and **down** MENU buttons on the control panel to scroll through the menus. When the item you want to change is displayed, press **Enter** to view the sub-menus for that item.
3. Use the **up** and **down** MENU buttons to move up and down through the sub-menu items. When the item you want to change is displayed press **Enter** to display the setting.
4. Use the **up** and **down** MENU buttons to move up and down through the available settings for the sub-menu item. When the item you want to change is displayed press **Enter** to display the setting. An asterisk (*) will appear next to the setting, indicating that this setting is currently in effect.
5. Do one of the following:
 - > Press **Back** again to move up to the list of menus;
 - or...
 - > Press **On Line** or **Cancel** to exit from the menu system and return to standby.

HOW TO CHANGE THE SETTINGS - ADMINISTRATOR

You can set whether to **Enable** or **Disable** each category in the user menu.

Disabled categories are not displayed in the User's menu. Only a system administrator can change these settings.

1. Turn **Off** the printer. Turn **On** the printer while pressing the **Enter** button. When **Boot Menu** appears, take your finger off the button.
2. Press the **Enter** button.
3. At the **Enter Password** prompt, enter the admin password:
 - (a) Using the **up** and **down** MENU buttons, scroll to the required letter/digit.
 - (b) Press the **Enter** button to input and move to the next letter/digit.
 - (c) Repeat steps (a) and (b) until all letters/digits are entered.

Enter your 6 to 12 digit password.

(The default password is 999999).
4. Press the **Enter** button.
5. Press the **up** or **down** MENU button until the "category" you want to change is displayed.
6. Press the **Enter** button.
7. Press the **up** or **down** MENU button until the "item" you want to change is displayed.
8. Press the **Enter** button.
9. Using the **up** or **down** MENU button, identify the parameter as required.
10. Press the **Enter** button. An asterisk (*) will appear next to the setting, indicating that this setting is currently in effect.
11. Press the **On Line** button to switch to online. The machine will automatically re-boot.

PRINT FROM USB MEMORY

ITEM		ACTION	EXPLANATION
Select Print File (After file selection. The LCD title is the filename.)		Print	Print the selected file with current settings.
Print Setup	Paper Feed	MPTray(xx) Tray1(xx) Tray2(xx) Tray3(xx)	Specifies a paper tray. (xx) is the paper size in trays. The strings are the same as the ones displayed in Idle Display. Tray2, 3: Displayed only if they are installed.
	Copies	1 ~ 999	Sets the number of copies.
	Duplex	On Off	Specifies Duplex Print. For the duplex unit is a standard part of printer, this menu item will always be displayed.
	Binding	Long Edge Short Edge	Specifies Binding in Duplex Printing. Display Conditions: On is selected in the Duplex menu above.
	Fit	On Off	Specifies fitting.
	Color Mode	Color Mono	Specifies print mode(Color/Monochrome).

PRINT

NOTE

This menu only displays if the optional SD card is installed.

ITEM	ACTION	EXPLANATION
Shared Print	Print Delete	Prints documents and saves them as print data that can be shared among all the printer users from the driver.
Private Print	Print Delete	Prints documents that are confidential to an individual user.

CONFIGURATION MENU

ITEM	ACTION	EXPLANATION
Tray Count	MP Tray Tray 1 Tray 2* Tray 3* *Note: Only available when optional trays are present	Select an item to display the total number of pages printed from the relevant tray.
A4/Letter Impressions Count	Color Mono	Displays the converted number of pages for A4/Letter printed in color or mono.
Supplies Life	Cyan Toner (n.nK) Magenta Toner (n.nK) Yellow Toner (n.nK) Black Toner (n.nK) Cyan Drum Magenta Drum Yellow Drum Black Drum Belt Fuser	Select item to display the percentage of a consumable remaining.
Network * When there is no built-in wireless LAN support, or the Wireless Module is set to "Disable" even with built-in wireless LAN support	Printer Name Short Printer Name Wired IPv4 Address Subnet Mask Gateway Address MAC Address NIC Program Version Web Remote Version IPv6 Address(Local) IPv6 Address (Stateless Address) IPv6 Address (Stateful Address)	Displays the full printer name. Displays the abbreviated printer name. Displays the status (enabled/disabled) of the wired LAN. Displays the IPv4 Address of the network. Displays the Subnet Mask of the network. Displays the Gateway Address of the network. Displays the MAC Address of the printer. Displays the Network firmware revision. Displays the Web remote version. Displays the IPv6 Address(Local) of the network. Displays the IPv6 Address(Stateless Address) of the network. Displays the IPv6 Address(Stateful Address) of the network.

ITEM	ACTION	EXPLANATION
<p>Network</p> <p>When there is built-in wireless LAN support and the Wireless Module is set to "Enable"</p>	<p>Network Information</p>	<p>Printer Name Displays the full printer name.</p> <p>Short Printer Name Displays the abbreviated printer name.</p> <p>Enabling Default Gateway Displays the valid default gateway.</p> <p>Wired Displays the status (enabled/disabled) of the wired LAN.</p> <p>IPv4 Address Displays the IPv4 Address of the network.</p> <p>Subnet Mask Displays the Subnet Mask of the network.</p> <p>Gateway Address Displays the Gateway Address of the network.</p> <p>MAC Address Displays the MAC Address of the printer.</p> <p>NIC Program Version Displays the Network firmware revision.</p> <p>Web Remote Version Displays the Web remote version.</p> <p>IPv6 Address (Local) Displays the IPv6 Address(Local) of the network.</p> <p>IPv6 Address (Stateless Address) Displays the IPv6 Address(Stateless Address) of the network.</p> <p>IPv6 Address (Stateful Address) Displays the IPv6 Address(Stateful Address) of the network.</p>
	<p>Wireless (Infrastructure) Information</p>	<p>Firmware Version Wireless LAN Firmware version.</p> <p>Wireless (Infrastructure) Displays the status (enabled/disabled) of the wireless LAN (Infrastructure mode).</p> <p>SSID SSID of the connection destination.</p> <p>Security Security of the wireless LAN function.</p> <p>State Wireless connection status.</p> <p>Band Band in use.</p> <p>Channel Channel number in use.</p> <p>RSSI Receiving signal strength. Percentage of signal strength.</p> <p>IPv4 Address Displays the IPv4 Address of the network.</p> <p>Subnet Mask Displays the Subnet Mask of the network.</p> <p>Gateway Address Displays the Gateway Address of the network.</p> <p>MAC Address Displays the MAC Address of the printer.</p> <p>IPv6 Address (Local) Displays the IPv6 Address(Local) of the network.</p> <p>IPv6 Address (Stateless Address) Displays the IPv6 Address(Stateless Address) of the network.</p> <p>IPv6 Address (Stateful Address) Displays the IPv6 Address(Stateful Address) of the network.</p>
	<p>Wireless (AP Mode) Information</p>	<p>Wireless (AP Mode) Displays the status (enabled/disabled) of the wireless LAN (AP mode).</p> <p>SSID Displays the SSID of the connection destination.</p> <p>Password Displays the password.</p> <p>Connected Devices Displays the number of connected devices.</p> <p>IPv4 Address Displays the IPv4 address.</p>
<p>System</p>	<p>Serial Number Asset Number Firmware Version CU Version PU Version Panel Version RAM Flash Memory SD Card Date and Time</p>	<p>Displays information for these items.</p>

PRINT INFORMATION MENU

This menu provides a quick method of listing various items stored within the printer.

ITEM	ACTION	EXPLANATION
Configuration	Execute	Select execute to print out a configuration report.
Network	Execute	Scroll down to this parameter and select execute to print out Network information.
Demo Page DEMO1	Execute	Scroll down to this parameter and select execute to print out a demonstration page.
File List	Execute	Scroll down to this parameter and select execute to print out a list of job files. (displayed only if FileSystem is installed).
PS Font List	Execute	Scroll down to this parameter and select execute to print out a Postscript emulation typeface list.
PCL Font List	Execute	Scroll down to this parameter and select execute to print out a PCL font list.
IBM PPR Font List	Execute	Scroll down to this parameter and select execute to print out an IBM PPR font list.
EPSON FX Font List	Execute	Scroll down to this parameter and select execute to print out an Epson FX emulation font list.
Usage Report	Execute	Scroll down to this parameter and select execute to print out a list of colour and mono pages printed.
Supplies Report	Execute	Prints the supplies report.
Error Log	Execute	Scroll down to this parameter and select execute to print out the error log.
Color Profile List	Execute	Scroll down to this parameter and select execute to print out a list of colour profiles.
Job Log	Execute	Prints a job history.

MENUS

ITEM	ACTION	EXPLANATION
Tray Configuration	<p>MPTray Config</p> <p>Paper Size: A4/A5/A6/B5/B6/ B6 Half/Legal14/ Legal13.5/Legal13/ Letter/Executive/ Statement/ 8.5"SQ/Folio/ 16K(184x260mm)/ 16K(195x270mm)/ 16K(197x273mm)/ Custom/Index Card/ 4x6 inch/5x7 inch/ COM-9 Envelope/ COM-10 Envelope/ Monarch Envelope/ DL Envelope/C5 Envelope/Hagaki/ Oufukuhagaki/ Nagagata#3/ Nagagata#4/ Yougata#4</p> <p>X Dimension: 2.5inch ~ 8.3inch ~ 8.5inch</p> <p>64 millimeter ~ 210millimeter ~ 216millimeter</p> <p>Y Dimension: 5.0inch ~ 11.0inch ~ 11.7inch ~ 52.0inch</p> <p>127millimeter ~ 279millimeter ~ 297millimete ~ 1321millimeter</p> <p>Media Type: Plain/Letterhead/ Films/Labels/ Bond/Recycled/ Card Stock/Rough/ Envelope/Glossy/ User Type 1-5</p> <p>Media Weight: Light/Medium Light/Medium/ Heavy//Ultra Heavy1/Ultra Heavy2/Ultra Heavy3</p> <p>Tray Usage: When Mismatching/ Do Not Use</p>	<p>Configure Paper Size/Media Type/Media Weight/Tray Usage. Select by scroll and Enter button.</p> <p>User Type 1 to 5 are displayed only if registered in the host PC.</p> <p>Sets MPTray usage. When Mismatching: if paper mismatch occurs, paper is requested from the MPTray instead of the specified tray. Do Not Use: sets MPTray unavailable both in Auto Tray Select and Auto Tray Switch.</p>

ITEM	ACTION	EXPLANATION
Tray Configuration (cont.)	Tray1 Config Default: Paper Size: C612 A4/A5/A6/B5/ Legal14/Legal13.5/ Legal13/Letter/ Executive/ Statement/ 8.5"SQ/Folio/ 16K(184x260mm)/ 16K(195x270mm)/ 16K(197x273mm)/ Custom C712 Cassette/ Custom X Dimension: C612 4.1inch ~ 8.3inch ~ 8.5inch 105millimeter ~ 210millimeter ~ 216millimeter C712 5.8inch ~ 8.3inch ~ 8.5inch 148millimeter ~ 210millimeter ~ 216millimeter Y Dimension: C612 5.8inch ~ 11.0inch ~ 11.7inch ~ 14.0inch 148millimeter ~ 279millimeter ~ 297millimeter ~ 356millimeter C712 8.3inch ~ 11.0inch ~ 11.7inch ~ 14.0inch 210millimeter ~ 279millimeter ~ 297millimeter ~ 356millimeter	Configure Paper Size/Media Type/Media Weight . Select by scroll and Enter button.

ITEM	ACTION	EXPLANATION
Tray Configuration (cont.)	Media Type: Plain/ Letterhead/ Bond/ Recycled/Card Stock/Rough/ Glossy/User Type 1-5 Media Weight: Light/Medium Light /Medium/ Heavy/Ultra Heavy1/Ultra Heavy2	User Type 1 to 5 are displayed only if registered in the host PC.
	Tray 2 Config* Tray 3 Config*	*Note: only present if option installed.
	Paper Feed Default: Tray 1	Select tray. Select by scroll and Enter button.
	Auto Tray Switch Default: On	Switches Auto On/Off. Select by scroll and Enter button.
	Tray Sequence Default: Down	Selects Tray sequence Down/Up/Paper feed Tray . Select by scroll and Enter button.
	Duplex Last Page Default: Skip Blank Page	With Skip Blank Page , outputs the last page in Simplex when printing odd pages in Duplex. With Always Print , outputs the last page in Duplex when printing odd pages in Duplex. * Displayed when the duplex print unit is installed.
	System Adjust	Power Save Time Default: 1
Sleep Time Default: 1		Select from 1/2/3/4/5/10/15/30/60/120/180 Minutes . Select by scroll and Enter button.
Auto Power Off Time Default: 4		Select from 1/2/3/4/8/12/18/24 hours . Select by scroll and Enter button.
Silent Mode Default: On		Select from On/Off . Select by scroll and Enter button.
Clearable Warning Default: ONLINE		Select from: ONLINE/Job . Select by scroll and Enter button. PS job only.
Auto Continue Default: Off		Select from On/Off . Select by scroll and Enter button.
Manual Timeout Default: 60		Select from Off/30 seconds/60 seconds . Select by scroll and Enter button.
Timeout InJob Default: 40		Select from Off/5/10/20/30/40/50/60/90/120/150/180/210/240/270/300 seconds . Select by scroll and Enter button.
Timeout Local Default: 40		Select from 0/5~40~290/295/300 seconds . Select by scroll and Enter button.

ITEM	ACTION	EXPLANATION
System Adjust (cont.)	Timeout Network Default: 90	Select from 0/5~90~290/295/300 seconds . Select by scroll and Enter button.
	Low Toner Default: Continue	Select action to take when toner sensor indicates low toner. Select from Continue/Stop . Select by scroll and Enter button.
	Print Mode w/o Color Toner Default: Alarm	Select from Alarm/Cancel . Select by scroll and Enter button.
	Jam Rcovery Default: On	Select from On/Off . Select by scroll and Enter button.
	Error Report Default: Off	Select from On/Off . Select by scroll and Enter button.
	Hex Dump Execute	Prints out data received from the host PC in the hexadecimal Dump. Turning off the power supply switch restores Normal Mode.
Print Adjust	Print Position Adjust Default: 0.00	Select from X Adjust/Y Adjust/Duplex X Adjust/Duplex Y adjust . Select by scroll and Enter button. Define measurement. * Can be set per tray.
	Paper Black Setting -2/-1/0/+1/+2 Default: 0	Used for fine adjustment of the black print on paper.
	Paper Color Setting -2/-1/0/+1/+2 Default: 0	Used for fine adjustment of the colour print on paper.
	Films Black Setting -2/-1/0/+1/+2 Default: 0	Used for fine adjustment of the black print on films.
	Films Color Setting -2/-1/0/+1/+2 Default: 0	Used for fine adjustment of the colour print on films.
	SMR Setting +3/+2/+1/0/-1/-2/-3/ Default: 0	To correct variations in print results caused by temperature/humidity conditions and difference in print density/frequency. Change the setting when print quality is uneven.
	BG Setting +3/+2/+1/0/-1/-2/-3/ Default: 0	To correct variations in print results caused by temperature/humility conditions and difference in print density/frequency. Change the setting when background is dark.
	Drum Cleaning Default: Off	Sets whether to rotate the drum in idle prior to printing in order to reduce horizontal white lines. Be warned that this will shorten the ID life by as much as this rotation. Select by scroll and Enter button.
	High Humid Mode Default: Off	Sets the curling reduction mode to on/off.

ADMIN SETUP

ITEM		SETTINGS	EXPLANATION
Enter Password		xxxxxxxxxxxx	Enter a password to gain entry to the Admin Setup menu. Password should be from 6 to 12 digits of alpha/numeric characters (or mix) The default value is "999999"
Network Setup	Enabling Default Gateway	Wired Wireless (Infrastructure)	Sets a valid default gateway. Display Conditions: There should be built-in wireless LAN support and Boot Menu > Wireless Module should be enabled.
	Wired	Enable Disable	Enables/Disables the wired LAN.
	TCP/IP	Enable Disable	Sets TCP/IP Protocol. Enable: TCP/IP Protocol is available. Disable: TCP/IP Protocol is not available.
	NetBIOS over TCP	Enable Disable	Sets Enable/Disable of NetBIOS over TCP protocol. Display Conditions: TCP/IP should be enabled.
	IP Address Set	Auto Manual	Sets the IP Address setting method. Display Conditions: TCP/IP should be enabled.
	IPv4 Address	xxx.xxx.xxx.xxx	Sets the IP Address. Display Conditions: TCP/IP should be enabled.
	Subnet Mask	xxx.xxx.xxx.xxx	Sets the Subnet Mask. Display Conditions: TCP/IP should be enabled.
	Gateway Address	xxx.xxx.xxx.xxx	Sets the Gateway (default router) address. 0.0.0.0 means that there is no router. Display Conditions: TCP/IP should be enabled.
	DHCPv6	Enable Disable	Sets Enable/Disable of DHCPv6.
	Web	Enable Disable	Sets Enable/Disable of Web. Enable: Web/IPP is available. Disable: Web/IPP is not available. Display Conditions: TCP/IP should be enabled.
	Telnet	Enable Disable	Sets Enable/Disable of Telnet. Enable: Telnet is available. Disable: Telnet is not available. Display Conditions: TCP/IP should be enabled.
	FTP	Enable Disable	Sets Enable/Disable of FTP. Enable: FTP is available. Disable: FTP is not available. Display Conditions: TCP/IP should be enabled.
	IPSec (if enabled)	Enable Disable	Sets Enable/Disable of IPSec. Enable via the web. Enable: IPSec is available. Disable: IPSec is not available.
	SNMP	Enable Disable	Sets Enable/Disable of SNMP. Enable: SNMP is available. Disable: SNMP is not available. Display Conditions: TCP/IP or NetWare should be enabled.

ITEM		SETTINGS	EXPLANATION
Network Setup (cont.)	Network Scale	Normal Small	When Normal is selected, the network can work effectively even when it is connected to a HUB that has a spanning tree feature. However, printer start up time gets longer when computers are connected with two or three small LANs. When Small is selected, computers can cover from two or three small LANs to a large LAN, but may not work effectively when the network is connected to a HUB with a spanning tree feature.
	Gigabit Network	Enable Disable	Sets whether to support a gigabit network. When it is disabled, 1000Base-T Full/Half duplex connection cannot be made.
	Hub Link Setting	Auto Negotiate 100Base-TX Full 100Base-TX Half 10Base-T Full 10Base-T Half	Sets a method to link to a HUB. When Auto is set, a connection method to a HUB is selected automatically and attempts to connect. If another method is selected, attempts to connect to a HUB only by the selected connection method.
	Network Factory Defaults	Execute	Specifies whether to initialize the network factory default settings for the Network.
USB Setup	USB	Enable / Disable	Enables / Disables the USB port.
	Speed	480 / 12 Mbps	Selects the interface speed. After setting change the menu, the printer restarts on exit.
	Soft Reset	Enable / Disable	Enables or disables the Soft Reset command.
	Serial Number	Enable / Disable	Specifies whether to Enable or Disable a USB serial number. The USB serial number is used to identify the USB device connected to your PC.
	Offline Receive	Enable / Disable	Offline receive.
	USB Memory Interface	Enable / Disable	Sets able/disable of USB memory I/F.
	Connected Host	Normal Specific	If the printer is connected to a specific host by USB, set it to Specific to print from this specific host.
Print Setup	Personality	Auto PostScript PCL XPS IBM PPR EPSON FX	Selects a printer language.
	Copies	1 - 999	Selects the number of copies. This setting is disabled for Local Print except for Demo Page.
	Duplex	On/ Off	Specifies duplex print (option) if a duplex unit is installed and enabled
	Binding	Long Edge Short Edge	Specifies Binding in duplex printing. Display Conditions: A duplex unit is installed and enabled. Refer to " Duplex " on page 34.
	Media Check	Enable Disable	Sets whether the printer checks the matching of printed data size and that of the tray. Only standard sizes are checked.

ITEM			SETTINGS	EXPLANATION
Print Setup (cont.)	A4/Letter Override		No/ Yes	<p>When the A4 size is specified in the driver but there is no tray set for A4 in the printer, the printing will be done from the tray with Letter paper loaded without a paper request.</p> <p>When the Letter size is specified in the driver but there is no tray set for Letter in the printer, the printing will be done from the tray with A4 paper loaded without a paper request.</p> <p>* There is no switching from the printer driver.</p>
	Resolution		600dpi 600x1200dpi 600dpi multi-level	Sets default resolution.
	Toner Save	Toner Save Level	Off Low Middle High	Sets the toner save level. Toner save will be disabled with Off, and saves 15% with Low , 35% with Middle and 50% with High .
		Color	All Except100%Black	<p>Specifies whether to apply toner save to 100% Black.</p> <p>With All, toner save will be applied to 100% Black as well. With Except100%Black, toner save will be applied to other modes except 100% Black.</p>
	Mono-Print Speed		Auto Color Speed Normal Speed	Sets the print mode for monochrome pages.
	Default Orientation		Portrait Landscape	<p>Specifies print orientation.</p> <p>Not valid for PS (valid only for PCL/ IBMPPR/ EPSONFX).</p>
	Edit Size		Cassette Size/ A4/A5/A6/B5/B6/ B6 Half/Legal14/ Legal13.5/Legal13/ Letter/Executive/ Statement/ 8.5"SQ/Folio/ 16K(184x260mm)/ 16K(195x270mm)/ 16K(197x273mm)/ Custom/Index Card/ 4x6 inch/5x7 inch/ COM-9 Envelope/ COM-10 Envelope/ Monarch Envelope/ DL Envelope/ C5 Envelope/Hagaki/ Oufukuhagaki/ Nagagata# 3/ Nagagata#4/ Yougata#4	Sets the size of an area to draw when the host PC does not specify the size via the paper edit size designating command (Not valid for PS - only for PCL).
	Trapping		Off Narrow Wide	<p>Sets trapping.</p> <p>* Not available for C612.</p>

ITEM		SETTINGS	EXPLANATION
Print Setup (cont.)	X Dimension	2.5 inch ~ 8.3 inch ~ 8.5 inch 64 mm ~ 210 mm ~ 216 mm	Specifies paper width of Custom paper as a default value. Sets a paper size at right angles to the paper run direction.
	Y Dimension	5.0 inch ~ 11.0 inch ~ 11.7 inch ~ 52.0 inch 127 mm ~ 279 mm ~ 297 mm ~ 1321 mm	Specifies paper length of Custom paper as a default value. Sets a paper size in the same direction as the paper run direction.
PS Setup	L1 Tray	Type1 Type2	The selectable tray number on the level 1 operator ranges from 1 with the setting Type1 and from 0 with Type2.
	Network Protocol	ASCII/ RAW	Specifies PS communication protocol mode of data from NIC port. (In RAW mode, Ctrl-T is invalid). PS models only.
	USB Protocol	ASCII/ RAW	Specifies PS communication protocol mode of data from USB port. (In RAW mode, Ctrl-T is invalid). PS models only.
	PDF Paper Size	Current Tray Size/ Size in PDF file/ Scaling Size	Switching of PDF Direct Print sizes. Current Tray Size: Prints according to the current tray size. Size in PDF file: Prints with the paper size of the PDF file. Scaling Size: If paper of the same size as the PDF file size is loaded to the tray, that paper will be used for printing. If not, a paper request will be sent to the current tray. Printing will be done by reducing to the scaling size.
	PDF Scaling Size	1~ 99%	Sets the reduction ratio when PDF Paper Size is set to Scaling Size . Display Conditions: The item is displayed only when PDF Paper Size is set to Scaling Size .

ITEM		SETTINGS	EXPLANATION
PCL Setup	Font Source	Resident	Specifies the location of PCL default font.
	Font Number	10 ~ 190	Sets the PCL font number. The valid range of this variable changes depending on the Font Source setting at the time. If the default font is set for Font Source , the number starts at 0. If it is not, the number starts at 1. The maximum value is equal to the number of fonts installed in Font Source .
	Font Pitch	0.44 CPI ~ 10.00 CPI ~ 99.99 CPI	Width of the PCL default font in characters per inch (CPI). Default font is fixed-pitch, scalable font. The value of pitch is displayed down to the second decimal place. Displayed only when the font selected in Font Number is a fixed-spacing, scalable font.
	Font Height	4.00 point ~ 12.00 point ~ 999.75 point	Height of the PCL default font. The value is displayed down to the second decimal place (in 0.25 point increments). Displayed only when the font selected in Font Number is a proportional-spacing, scalable font.
	Symbol Set	PC-8	Sets the symbol set of PCL (see machine operator panel for complete list).
	A4 Print Width	78 column 80 column	Sets the number of characters for A4 paper. Auto LF. This is for 10-CPI characters when Auto CR/LF Mode is set to Off. This menu is enabled only when A4 paper is selected in the menu that sets the print width of A4 paper in portrait orientation. Usually, such A4 paper print width is set slightly narrower than 8 inches (about 7.93 inches). This setting cannot print 80 10-cpi characters (only prints up to 78 10-cpi characters). 80 characters set at A4 Print Width widen the right and left margins. A PCL command selects or selects/deselects Auto CR/LF mode.
	White Page Skip	On/ Off	Sets whether to eject a page without any data to print (blank page) upon reception of FF command (OCH) in PCL Mode. Off : Ejecting.
	CR Function	CR /CR+LF	Sets action when CR code is received in PCL. CR : Carriage Return CR+LF : Carriage Return and Line Feed
	LF Function	LF /LF+CR	Sets action when LF code is received in PCL. LF : Line Feed LF+CR : Line Feed and Carriage Return
	Print Margin	Normal 1/5 inch 1/6 inch	Sets a non-printable area of paper. The width of the area along the right and left sides of paper (left and right sides depend on paper orientation). Normal : PCL emulation compatible, approximately 1/4~1/4.3 inch (depending on paper) is outside the printable area.

ITEM		SETTINGS	EXPLANATION
PCL Setup (cont.)	True Black	On/Off	Sets whether to use Composite Black (cmyk mixed) or Pure Black (K only) for the black (100%) in image data. Off: Mode using Composite Black On: Mode using Pure Black (PCL only)
	Pen Width Adjust	On/Off	When minimum width is specified in PCL, sometimes a 1-dot line, looks broken. With Pen Width Adjust set to On, when the minimum width is specified, the line width will be emphasized so as to look wider than a 1-dot line. With Pen Width Adjust set to Off, the line will appear as before.
	Tray ID#		
	MPTray	1 ~ 4 ~ 59	Sets the # to specify the MP tray for the paper feed destination command (ESC&l#H) in PCL5e emulation.
	Tray 1	1 ~ 5 ~ 59	Sets the # to specify Tray 1 for the paper feed destination command (ESC&l#H) in PCL5e emulation.
	Tray 2	1 ~ 5 ~ 59	Sets the # to specify Tray 2 for the paper feed destination command (ESC&l#H) in PCL5e emulation. (Displayed only if Tray 2 is installed).
	Tray 3	1 ~ 20 ~ 59	Sets the # to specify Tray 3 for the paper feed destination command (ESC&l#H) in PCL5e emulation. (Displayed only if Tray 3 is installed).
XPS Setup	DigitalSignature	Print Invalid Sign Print Only Valid Sign Off	Sets the DigitalSignature function. (Default: Off) Print Invalid Sign: If a document is falsified, normal printing is done and a falsification error report is printed. Print Only Valid Sign: If a document is falsified, only a falsification error report is printed. Off: Do not verify the signature.
	DiscardControl	Auto Each Page Off	Sets the DiscardControl function. (Default: Auto). Auto: Liberates resources as necessary. Each Page: Liberates resources per page according to the markup. Off: Disables the DiscardControl function.
	MC Mode	On Off	Sets the MarkupComaptibility function. (Default: On) On: Use the MarkupComaptibility function. Off: Do not use the MarkupComaptibility function.

ITEM		SETTINGS	EXPLANATION
XPS Setup (cont.)	Unzip Mode	Auto Speed Print	Sets the unzip mode of the XPS file. (Default: Speed). Auto: The mode is switched automatically according to the file. Speed: The print speed is prioritized, and partial Unzip functions are not used. Print: The print processing is prioritized, and partial Unzip functions are used.
	White Page Skip	On Off	Sets whether to output a page without data printed on (i.e. a blank page) for XPS. With Off , a blank page is output. (Default: Off).
SIDM Setup	SIDM Manual ID#	0 ~ 2 ~ 9	Sets the Pn specified by Manual in the CSF control command (ESC EM Pn) of Manual-1 ID No. FX/PPR/ESCP Emu.
	SIDM Manual2 ID#	0 ~ 3 ~ 9	Sets the Pn specified by Manual in the CSF control command (ESC EM Pn) of Manual-2 ID No.FX/PPR Emu.
	SIDM MP Tray ID#	0 ~ 4 ~ 9	Sets the Pn specified by Tray0 (MP Tray) in the CSF control command (ESC EM Pn) of MP Tray ID No.FX/PPR/ESCP Emu.
	SIDM Tray1 ID#	0 ~ 1 ~ 9	Sets the Pn specified by Tray1 in the CSF control command (ESC EM Pn) of Tray 1 ID No.FX/PPR/ESCP Emu.
	SIDM Tray2 ID#	0 ~ 5 ~ 9	Sets the Pn specified by Tray2 in the CSF control command (ESC EM Pn) of Tray 2 ID No.FX/PPR/ESCP Emu.
	SIDM Tray3 ID#	0 ~ 6 ~ 9	Sets the Pn specified by Tray3 in the CSF control command (ESC EM Pn) of Tray 3 ID No.FX/PPR/ESCP Emu.
IBM PPR Setup	Character Pitch	10 CPI 12 CPI 17 CPI 20 CPI Proportional	Specifies character pitch in IBM PPR emulation.
	Font Condense	12CPI to 20CPI 12CPI to 12CPI	Specifies 12CPI pitch for Condense Mode.
	Character Set	SET-2 SET-1	Sets a character set.
	Symbol Set	IBM-437	Sets the Symbol Set for IBM PPR (see machine operator panel for complete list).
	Letter O Style	Enable/ Disable	Specifies the style that replaces ø (9B) and ¥ (9D) with ø (ou) and Ø (zero).
	Zero Character	Normal/ Slashed	Specifies the style of 0(zero). Slashed: Slash zero
	Line Pitch	6/8 LPI	Sets line space.
	White Page Skip	On/ Off	Sets whether to eject a blank sheet. Available only when simplex is set.
	CR Function	CR/CR+LF	Sets action when CR code is received.

ITEM		SETTINGS	EXPLANATION
IBM PPR Setup(cont.)	LF Function	LF /LF+CR	Sets action when LF code is received.
	Line Length	80 /136 column	Specifies the number of characters per line.
	Form Length	11/11.7/12 inch	Specifies the length of paper.
	TOF Position	0.0 /0.1/~1.0 inch	Sets the position from the top edge of paper.
	Left Margin	0.0 /0.1/~1.0 inch	Sets the amount to shift the horizontal print start position to the right.
	Fit to Letter	Enable/Disable	Sets the printing mode that can fit print data, equivalent to 11 inches (66 lines), in the Letter-size printable area.
	Text Height	Same /Diff	Sets height of a character. Same: Regardless of CPI, same height Diff: According to CPI, character heights vary.
EPSON FX Setup	Character Pitch	10 CPI /12 CPI/ 17 CPI/ 20 CPI/ Proportional	Specifies character pitch in Epson FX emulation.
	Character Set	SET-2 SET-1	Sets a character set.
	Symbol Set	IBM-437	Sets the Symbol Set for Epson FX Emulation. (see machine operator panel for complete list).
	Letter O Style	Enable/ Disable	Specifies the style that replaces ø (9B) and ¥ (9D) with ø (ou) and Ø (zero).
	Zero Character	Normal /Slashed	Specifies the style of 0(zero). Slashed: Slash zero
	Line Pitch	6 /8 LPI	Sets line space.
	White Page Skip	On/ Off	Sets whether to eject a blank sheet. Available only when simplex is set.
	CR Function	CR /CR+LF	Sets action when CR code is received.
	Line Length	80 /136 column	Specifies the number of characters per line.
	Form Length	11/11.7/12 inch	Specifies the length of paper.
	TOF Position	0.0 /0.1/~1.0 inch	Sets the position from the top edge of paper.
	Left Margin	0.0 /0.1/~1.0 inch	Sets the amount to shift the horizontal print start position to the right.
	Fit to Letter	Enable/Disable	Sets the printing mode that can fit print data, equivalent to 11 inches (66 lines), in the Letter-size printable area.
	Text Height	Same /Diff	Sets height of a character. Same: Regardless of CPI, same height Diff: According to CPI, character heights vary.
Private Print Setup	Verify job option	Enable Disable	Selects whether or not to perform job verification prior to printing an encrypted secure job.
	Erase job option	No overwrite Zero out once	Sets the method of erasing encrypted secure jobs from the device storage (SD card).

ITEM		SETTINGS	EXPLANATION
Private Print Setup(cont.)	Keep job for	15minutes 30minutes 1hour 2hours 4hours 8hours 12hours 1day 2days 3days 4days 5days 6days 7days	Sets the retention period of encrypted secure jobs in the device storage (SD card). After the retention period, the encrypted secure jobs will be erased from the device storage (SD card) automatically.
	Job Limitation	Disable Private Print only	If Private Print only is selected, other jobs than private print will be excluded.
	Verify job password	On Off	Selects whether or not to verify the job password when access control is enabled.
	Job Auto Search	On Off	Selects whether or not to perform a job search once the panel is unlocked when access control is enabled.
Color Setup	Ink Simulation	Off SWOP ISO Coated Japan	The machine has its own process simulation engine which simulates standard colors in the printer. This function is available only with PS language jobs.
	UCR	Low Medium High	Selects limitation to the toner layer thickness. If paper curl occurs in dark printing, selecting Medium or High sometimes helps reduce this curl. UCR = Under Color Removal.
	CMY 100% Density	Enable/ Disable	Enable/Disable 100% output against the CMY100% TRC compensation. Ordinarily, the TRC compensation function holds control for the appropriate print density; thus 100% output is not always possible. Selecting Enable will enable 100% output in any individual color. The actual print, including the TRC compensation function is limited to an appropriate area. This function is for special purposes such as specification in CMYK color reduction in PS.
	CMYK Conversion	On/Off	Setting to Off will simplify the conversion process of CMYK data, which will reduce the processing time. This setting is ignored when Ink Simulation function is used. PS only

ITEM		SETTINGS	EXPLANATION
Panel Setup	Near Life Status	Enable Disable	Sets the LCD display control when a near life warning occurs for the drum, fuser and belt. With Enable , a near life warning will be displayed. With Disable , a near life warning will not be displayed (not output to the Attention LED/ PJL/MIB/Web as well). Excludes the temporary recovery status (life warning) by opening and then closing the cover after a life warning has occurred.
	Near Life LED	Enable Disable	Sets the LED lighting control when a near life warning occurs for the toner, drum, fuser, belt and waste toner box. With Enable , the Attention LED will light on.* With Disable , the Attention LED will not light on. Excludes the temporary recovery status (life warning) by opening and then closing the cover after a life warning has occurred. * For the drum, fuser, belt and waste toner box, this setting is applied only when Panel Setup > Near Life Status is set to Enable . For the toner, this setting is applied regardless of the setting of Panel Setup > Near Life Status .
	Idle Display	Toner Gauge Paper Size	Selects the information to be displayed on the standby screen. With Paper Size , displays the paper size for each tray. The default is the Toner Gauge .
	Panel Contrast	-10 ~ 0 ~ +10	Adjusts the contrast value of the operator panel LCD.
Time Setup	Date Format	mm/dd/yyyy dd/mm/yyyy yyyy/mm/dd	Set desired date format.
	Time Zone	-12:00 ~ 0:00 ~ +13:00	Enter the time zone for your country in relation to GMT. Set in quarter units within the range. Use the Menu up/down buttons to increment/decrement and press the Enter button to set and proceed to the next digit.
	Daylight Saving	On Off	Enable/disable daylight saving setting.
	Setting method	Auto Setup Manual Setup	Sets the time setting method.
	SNTP Server (Primary)	*****	Sets the SNTP server (primary) Display Conditions: Admin Setup > Time Setup > Setting method is set to Auto Setup .

ITEM			SETTINGS	EXPLANATION
Time Setup (cont.)	SNTP Server (Secondary)		*****	Sets the SNTP server (secondary). Display Conditions: Admin Setup > Time Setup > Setting method is set to Auto Setup .
	Time Setting		01/01/2000 00:00 ~ 01/01/2009 00:00 ~ 31/12/2091 23:59	Set current date and time. Display format follows the settings selected in Date Format.
Power Setup	Auto Power Off		Enable/ Auto Config / Disable	Sets the behavior of Auto Power Off . Enable : Changes to the off mode even when the LAN cable is connected or wireless LAN is enabled. Auto Config : Does not change to the off mode when LAN cable is connected or wireless LAN is enabled. Changes to the off mode even when the USB cable is connected. Disable : Disables the off mode transition by the elapsed time.
Tray Setup	Unit of Measurement		inch/millimeter	Specifies the unit for custom paper sizes.
	Default Paper Size		A4/Letter	Sets the default paper size.
Others Setup	RAM Setup	Receive Buffer Size	Auto 0.5 megabyte 1 megabyte 2 megabyte 4 megabyte 8 megabyte 16 megabyte 32 megabyte	Sets the incoming buffer size.
		Resource Save	Auto Off 0.5 megabyte 1 megabyte 2 megabyte 4 megabyte 8 megabyte 16 megabyte 32 megabyte	Sets the resource saving area size.
	Flash Memory Setup	Initialize	Execute	Initialize the flash memory.
	SD Card Setup	This item is displayed only if the SD card (option) is installed.		
		Initialize	Execute	Initializes the SD Card to the factory default setting.
		Format Partition	PCL Common PS	Formats a specified partition.

ITEM			SETTINGS	EXPLANATION
Others Setup (cont.)	SD Card Setup (cont.)	Erase SD Card	Execute	It features of the deletion of all the data stored in the SD Card not to be recovered them.
	Storage Common Setup	Check File System	Execute	Resolves mismatch between actual memory and displayed memory available in a file system. Performs administration data (FAT information) recovery. Performs recovery only for an SD Card.
		Check All Sectors	Execute	Performs recovery of defective SD Card sector information and a file system mismatch mentioned above.
		Enable Initialization	No Yes	Prevents a setting change accompanying initialization of Block Device (SD Card, FLASH).
	Job Log Setup	Clear Job Log	Execute	Deletes all the system job logs.
	Security Setup	Access Control	Enable Disable	Sets the Access Control.
		User Counter Report	Execute	Prints the User Counter Report.
	Language Setup	Select Language	Bosnian Bulgarian Catalan Chinese (Traditional) Croatian Czech Danish Dutch English Finnish French German Greek Hungarian Italian Japanese Korean Macedonian Norwegian Polish Portuguese (Brazil) Portuguese Romanian Russian Serbian Slovenian Spanish Swedish Turkish	Selects the LCD display language and report print language. However, when Korean or Chinese (Traditional) is selected, the report will be printed in English.

ITEM			SETTINGS	EXPLANATION
Others Setup (cont.)	Language Setup (cont.)	Language Initialize	Execute	Initializes the LCD display language.
	Job Cancel Setup	Cancel Key Behavior	Short	Sets the action when the Cancel button is pressed. Short: Cancels the job by a short press (for 2 seconds or less). Long: Cancels the job by a long press (for 2-5 seconds). Off: Ignores the press of the Cancel button. In other words, disables the action of canceling the job by pressing the Cancel button.
			Long	
			Off	
	Inquiry Display	Inquiry Display	On	Sets whether to display the inquiry screen when the job is canceled. On: Displays the inquiry screen. Off: Cancels the job without displaying the inquiry screen.
			Off	
	Focus Position	Focus Position	Yes	Sets whether to focus on Yes or No in the job cancel inquiry screen. Yes: Focuses on Yes . No: Focuses on No .
			No	
Display Timeout	Display Timeout	60	Sets the display timeout value of the job cancel inquiry screen. If timeout occurs, the canceling operation will be disabled and printing will be executed.	
		~		
		180		
		~ 300		
Near Life Setup	Drum Near Life Timing	500	Sets the timing of displaying the Drum Near Life warning.	
		1000		
		1500 2000 2500 3000		
Fuser Near Life Timing	Fuser Near Life Timing	500	Sets the timing of displaying the Fuser Near Life warning.	
		1000		
		1500 2000 2500 3000		
Belt Near Life Timing	Belt Near Life Timing	500	Sets the timing of displaying the Belt Near Life warning.	
		1000		
		1500 2000 2500 3000		
Erase Privacy Data		Execute	Erase the registered privacy data and the stored data in the printer.	
Business Phone Setup	Business Phone Cooperation	Enable Disable	Enables/Disables the CrosCore cooperation.	
	Connection IP Address	0.0.0.0 ~ 255.255.255.255	Sets the IP address of the connection destination of the CrosCore cooperation.	

ITEM			SETTINGS	EXPLANATION
Others Setup (cont.)	Business Phone Setup (cont.)	Connection Port No.	1 ~ 59000 ~ 65535	Sets the port number of the connection destination of the CrosCore cooperation.
Settings	Reset Settings		Execute	Resets EEPROM of CU. Resets User menu to the factory default. If Execute is selected, exits from the menu.
	Save Settings		Execute	Saves menus currently set. With this function, the menus with which operation was last performed are saved, and overwrites with the menus that were previously saved.
	Restore Settings		Execute	Changes to the menu setting saved. Display Conditions: The menu settings are saved.
Change Password	New Password		xxxxxxxxxxxxxx	Sets a new password to enter Admin Setup menu. From 6 to 12 alpha/numeric digits can be entered.
	Verify password		xxxxxxxxxxxxxx	Forces the User to input the new password to enter Admin Setup. From 6 to 12 alpha/numeric digits can be entered.

PRINT STATISTICS

ITEM	SETTINGS	EXPLANATION
Enter Password	****	Enters a password to enter Print Statistics menu. The default value is "0000". The password for entry to Print Statistics is different from the password for entry to Functions-Admin Setup.
Usage Report	Enable Disable	Sets Enable or Disable for Usage Report. The menu screen closes whenever the setting is switched.
Maintenance Counter	Enable Disable	Sets whether or not to add a maintenance report (non-resettable counter and non-resettable consumables replacement times) to the usage report. Display Conditions: Enable is selected for Print Statistics > Usage Report .
Reset Main Counter	Execute	Resets the main counter. Display Conditions: Enable is selected for Print Statistics > Usage Report .
Reset Supplies Counter	Execute	Resets the number of replacement of consumables. Display Conditions: Enable is selected for Print Statistics > Usage Report . Enable is selected for Print Statistics > Maintenance Counter .
Change Password		Changes a password. Display Conditions: Enable is selected for Print Statistics > Usage Report .
New Password	****	Sets a new password to enter Print Statistics menu.
Verify Password	****	Makes User input the new password to enter Print Statistics set in New Password for confirmation.

CALIBRATION

ITEM		SETTINGS	EXPLANATION
Auto Density Mode		On/Off	Selects whether density adjustment and TRC compensation is automatically performed. On: Density adjustment is automatically run under the engine-specified conditions, and reflected in TRC compensation. Off: The printer does not voluntarily run density adjustment.
Adjust Density		Execute	If Execute is selected, the printer will immediately adjust density and reflect it in TRC compensation. This adjustment must be executed when the printer is idling. It can become invalid if executed in any other state.
Adjust Registration		Execute	When this menu is selected, the printer performs AutoAdjust Registration. This adjustment must be executed when the printer is idling.
Color Density	Cyan/Magenta/ Yellow/Black Density	-3,-2,-1, 0 ,+1,+2,+3,	Adjusts the engine density.
Print Tuning Pattern		Execute	Prints the pattern for the user to adjust TRC. Ordinarily, this function is not needed because TRC is automatically adjusted to the recommended levels through density adjustment and TRC compensation. Adjustment results will be reflected as offset values (addition) to the corrections through the Adjust Density/TRC Compensation function.
Cyan/Magenta/ Yellow/Black Tuning	Highlight	-3,-2,-1, 0 ,+1,+2,+3,	Adjusts highlight (light area) of the TRC. + = Darker - = Lighter
	Mid-Tone	-3,-2,-1, 0 ,+1,+2,+3,	Adjusts mid-tone area of the TRC. + = Darker - = Lighter
	Dark	-3,-2,-1, 0 ,+1,+2,+3,	Adjusts dark area of the TRC. + = Darker - = Lighter

GOOGLE CLOUD PRINT

ITEM		SETTINGS	EXPLANATION		
Google Cloud Print	Print Manually		Execute	Prints manually.	
	Delete Registered Information		Execute	Deletes the registered information.	
	Register to Google Cloud Print		Execute	Registers to Google Cloud Print.	
	Google Cloud Print Settings	Using Cloud Service		Enable Pause Disable	Sets whether or not to use cloud service.
		DNS Server (Primary)		xxx.xxx.xxx.xxx	Sets the DNS server (primary).
		DNS Server (Secondary)		xxx.xxx.xxx.xxx	Sets the DNS server (secondary).
		Proxy		Enable Disable	Sets whether or not to use a proxy server.
		Proxy Server			Sets the proxy server.
		Proxy Server Port No.		1 ~ 8080 ~ 65535	Sets the port number of the proxy server.
		Proxy User ID			Sets the proxy user ID.
Proxy Password				Sets the proxy password.	

WIRELESS(INFRASTRUCTURE) SETTING

ITEM			SETTINGS	EXPLANATION	
Wireless (Infrastructure) Setting	Wireless(Infrastructure)		Enable Disable	Enables/disables the wireless LAN (Infrastructure).	
	Network Setting	IP Address Set	Auto Manual	Sets the IP Address setting method.	
		IPv4 Address	xxx.xxx.xxx.xxx	Sets the IP Address.	
		Subnet Mask	xxx.xxx.xxx.xxx	Sets the Subnet Mask.	
		Gateway Address	xxx.xxx.xxx.xxx	Sets the Gateway (default router) address.	
		DHCPv6	Enable Disable	Sets Enable/Disable of DHCPv6.	
	Automatic setup (WPS)	WPS-PBC			Executes WPS-PBC.
		WPS-PIN			Executes WPS-PIN.
	Wireless Network Selection	xxxxxx			Lists the detected wireless LAN (AP mode).
		Manual Setup	SSID		Input the SSID.
			Security	Disable WEP WPA/WPA2-PSK WPA2-PSK	Sets the security function of the wireless LAN. * WPA/WPA2-EAP or WPA2-EAP can be displayed only when it is set from the web, and it cannot be set from the menu.
			WEP Key		Input the WEP key.
			WPA Encryption Type	AES TKIP/AES	Displays the WPA-PSK encryption type. The setting is carried out automatically according to the setting of Security . (You cannot change the setting manually with this menu.) It changes to AES when Security is set to WPA2-PSK or WPA2-EAP and to TKIP/AES when Security is WPA/WPA2-PSK or WPA/WPA2-EAP .
			WPA Pre-shared Key		Input the pre-shared key.
			Execute		Enables the setting.
			Wireless reconnection		

WIRELESS(AP MODE) SETTING

ITEM		SETTINGS	EXPLANATION	
Wireless (AP Mode) Setting	Wireless(AP Mode)	Enable Disable	Enables/disables the wireless LAN (AP mode).	
	Automatic Setup (PushButton)		When the Enter button is pressed and the Yes/No confirmation screen is displayed, if Yes is selected, automatic connection can be started with a push-button.	
	Manual Setup		Displays the SSID and the password.	
	Connection Sstting	SSID		Input the SSID.
		Password		Input the password.
		IPv4 Address	xxx.xxx.xxx.xxx	Input the IP address.
		Execute		Sets the SSID and the password.
AP Mode User Setting	Disclose user Don't disclose user	Sets whether or not to disclose the AP mode information to users other than the administrator.		

BOOT MENU

This menu should only be changed by the System Administrators. In order to gain access to this menu, follow the instructions in ["How to change the settings - administrator" on page 24.](#)

This menu is in ENGLISH only (default settings in bold type).

Network Factory Defaults

ITEM	SETTINGS	EXPLANATION
Network Factory Defaults	Execute	Specifies whether to initialize the network menu.

Wireless Module

NOTE

To use wireless LAN, it is required to install an optional wireless LAN board.

ITEM	SETTINGS	EXPLANATION
Wireless Module	Enable Disable	Enables the wireless LAN board. With Enable , this setting will still remain enabled even after the wireless LAN board is removed. Since the factory default is Disable even for devices provided with wireless LAN as standard, please change this setting to Enable to use wireless LAN.

SD Card Setup

NOTE

This menu only displays if the optional SD card is installed.

ITEM	SETTINGS	EXPLANATION
Enable SD Card	No Yes	Even if a machine is inoperable at installation because of a faulty SD Card, the machine can be made operable by setting this parameter to No (ignores the existence of the SD Card). When No is set, access to the SD Card results in FAIL because the SD Card is regarded as not attached. After setting change and exit from the menu, the printer will restart.

Storage Common Setup

ITEM	SETTINGS	EXPLANATION
Check File System	Execute	Resolves mismatch between actual memory and displayed memory available in a file system. Performs administration data (FAT information) recovery. Performs recovery only for an SD Card.
Check All Sectors	Execute	Performs recovery of defective SD Card sector information and a file system mismatch mentioned above.

Menu Lockout

ITEM	SETTINGS	EXPLANATION
Menu Lockout	On Off	Sets the menu lockout function to on/off. On: The menu other than Shared Print/Private Print will not be visible. Off: The menu lockout function will not work.

Panel Lockout

ITEM	SETTINGS	EXPLANATION
Panel Lockout	Mode1 Mode2 Off	Sets the panel lockout function to on/off. Mode 1: All keys except Online, Enter, Cancel, Power Save and Help are disabled. Mode 2: All keys except Online and Enter are disabled. Off: The panel lockout function will not work.

MAINTENANCE

NOTE

For illustrative purposes, the C712 printer has been shown. If you have a C612 printer, the principle is the same.

REPLACING CONSUMABLE ITEMS

Only use genuine original consumables to ensure the best quality and performance from your hardware. Non original products may adversely affect your printer's performance and invalidate your warranty.

TONER CARTRIDGE REPLACEMENT

NOTE

When the LCD display indicates Toner Low, or if print appears faded, first open the output tray and try tapping the cartridge a few times to evenly distribute the toner powder. This will enable you to obtain the best "yield" from your toner cartridge.

CAUTION!

To avoid toner wastage and possible toner sensor errors, do not change the toner cartridge(s) until "Install Toner" is displayed.

The toner used in this printer is a very fine dry powder. It is contained in four cartridges: one each for cyan, magenta, yellow and black.

Have a sheet of paper handy so that you have somewhere to place the used cartridge while you install the new one.

Dispose of the old cartridge responsibly, inside the pack that the new one came in. Follow any regulations, recommendations, etc., which may be in force concerning waste recycling.

If you do spill any toner powder, lightly brush it off. If this is not enough, use a cool, damp cloth to remove any residue.

Do not use hot water, and never use solvents of any kind. They will make stains permanent.

WARNING!

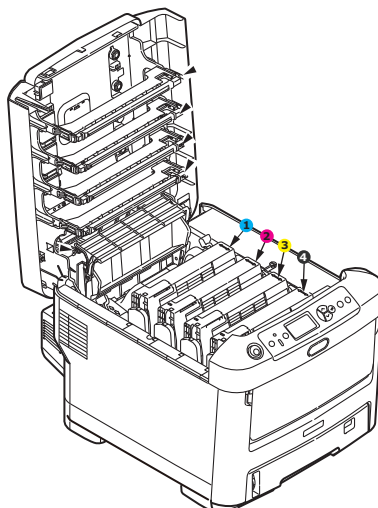
If you inhale any toner or get it in your eyes, drink a little water or bathe your eyes liberally in cold water. Seek medical attention immediately.

1. Press the cover release and open the printer's output tray fully.

WARNING

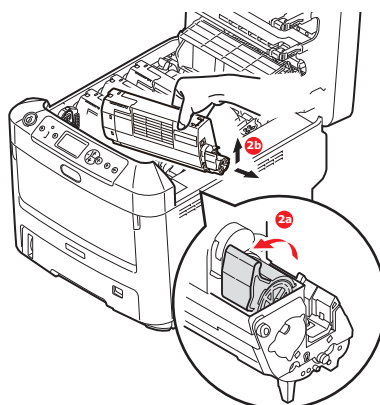
If the printer has been powered on, the fuser will be hot. This area is clearly labelled. Do not touch.

2. Note the positions of the four cartridges.



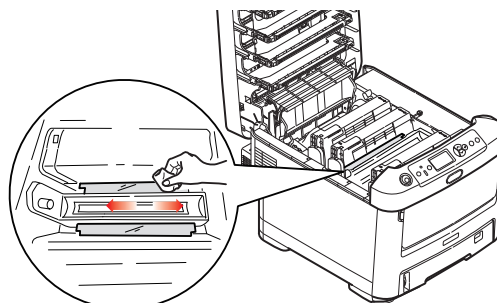
1. Cyan cartridge 2. Magenta cartridge
3. Yellow cartridge 4. Black cartridge

- (a) Pull the coloured toner release lever on the cartridge to be replaced fully towards the front of the printer.



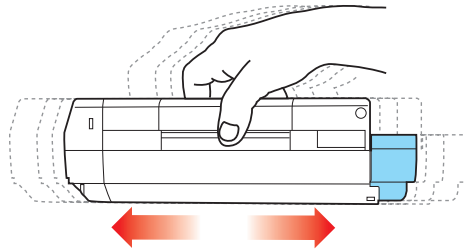
- (b) Lift the right-hand end of the cartridge and then draw the cartridge to the right to release the left-hand end as shown, and withdraw the toner cartridge out of the printer.

3. Put the cartridge down gently onto a piece of paper to prevent toner from marking your furniture.
4. Clean the top of the ID unit with a clean, lint free cloth.

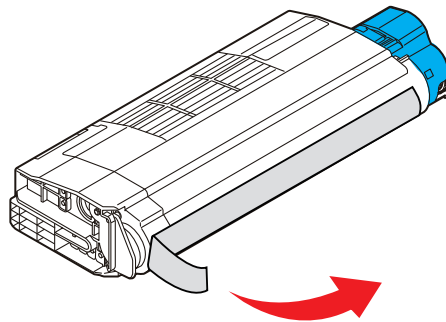


5. Remove the new cartridge from its box but leave its wrapping material in place for the moment.

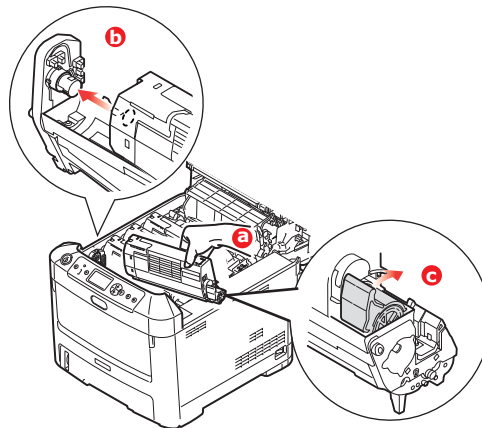
6. Gently shake the new cartridge from end to end several times to loosen and distribute the toner evenly inside the cartridge.



7. Remove the wrapping material and peel off the adhesive tape from the underside of the cartridge.

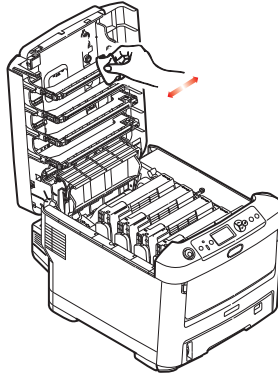


8. Holding the cartridge by its top centre with the coloured lever to the right, lower it into the printer over the image drum unit from which the old cartridge was removed.
9. Insert the left end of the cartridge into the top of the image drum unit first, pushing it against the spring on the drum unit, then lower the right end of the cartridge down onto the image drum unit.



10. Pressing gently down on the cartridge to ensure that it is firmly seated, push the coloured lever towards the rear of the printer. This will lock the cartridge into place and release toner into the image drum unit.

11. Gently wipe the LED head surface with a clean, lint free cloth.



12. Finally, close the output tray and press down firmly at both sides so that the cover latches closed.

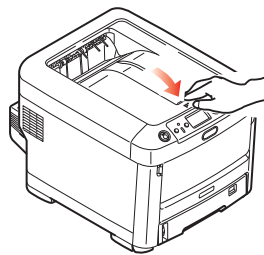


IMAGE DRUM REPLACEMENT

CAUTION!



Static sensitive devices, handle with care.

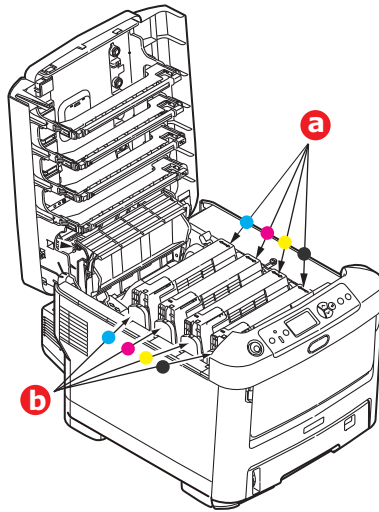
The printer contains four image drums: cyan, magenta, yellow and black.

1. Press the cover release and open the printer's output tray fully.

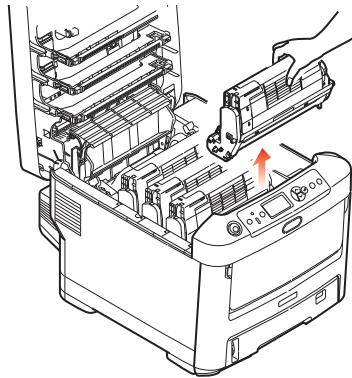
WARNING!

If the printer has been powered on, the fuser will be hot. This area is clearly labelled. Do not touch.

2. Note the positions of the four toner cartridges (a) and image drums (b). It is essential that they go back in the same order.



3. Holding it by its top centre, lift the image drum, complete with its toner cartridge, up and out of the printer.

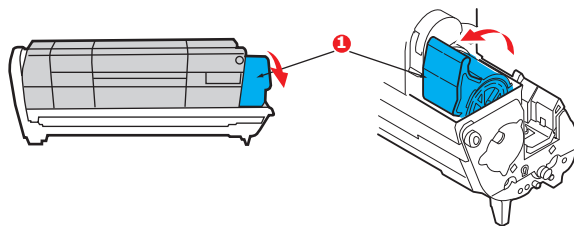


4. Put the assembly down gently onto a piece of paper to prevent toner from marking your furniture and to avoid damaging the green drum surface.

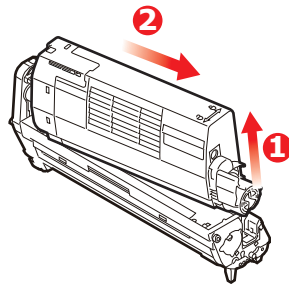
CAUTION!

The green image drum surface at the base of the ID unit is very delicate and light sensitive. Do not touch it and do not expose it to normal room light for more than 5 minutes. If the drum unit needs to be out of the printer for longer than this, please wrap the cartridge inside a black plastic bag to keep it away from light. Never expose the drum to direct sunlight or very bright room lighting.

5. With the coloured toner release lever (1) to the right, pull the lever towards you. This will release the bond between the toner cartridge and the image drum unit.



6. Lift the right-hand end of the toner cartridge (1) and then draw the cartridge to the right to release the left-hand end as shown (2), and withdraw the toner cartridge out of the image drum cartridge. Place the cartridge on a piece of paper to avoid marking your furniture.

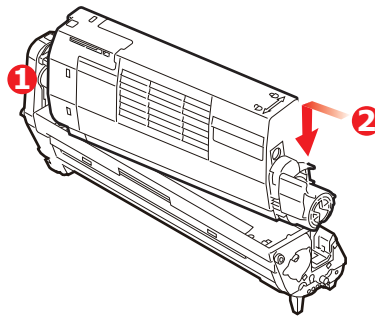


7. Take the new image drum cartridge out of its packaging and place it on the piece of paper where the old cartridge was placed. Keep it the same way round as the old unit. Pack the old cartridge inside the packaging material for disposal.

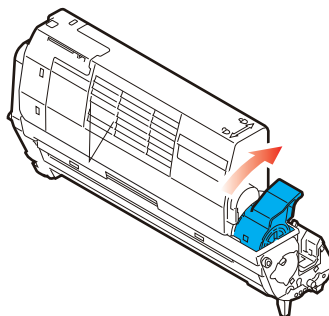
NOTE

Follow instructions that come with the new image drum for additional information such as the removal of packaging material, etc.

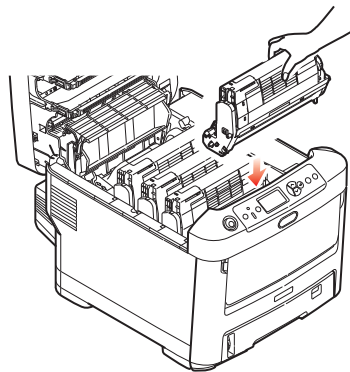
8. Place the toner cartridge onto the new image drum cartridge as shown. Push the left end in first, and then lower the right end in. (It is not necessary to fit a new toner cartridge at this time unless the remaining toner level is very low.)



9. Push the coloured release lever away from you to lock the toner cartridge onto the new image drum unit and release toner into it.



10. Holding the complete assembly by its top centre, lower it into place in the printer, locating the pegs at each end into their slots in the sides of the printer cavity.



11. Finally, close the output tray and press down firmly at both sides so that the cover latches closed.

NOTE

If you need to return or transport your printer for any reason, please make sure you remove the image drum unit beforehand and place in the bag provided. This is to avoid toner spillage.

REPLACING THE TRANSFER BELT UNIT

The belt unit is located under the four image drums.

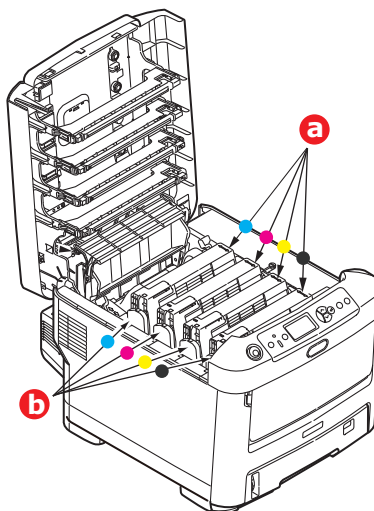
Switch off the printer and allow the fuser to cool for about 10 minutes before opening the cover.

1. Press the cover release and open the printer's output tray fully.

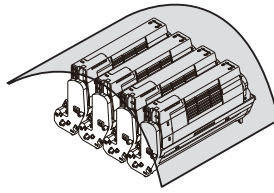
WARNING!

If the printer has been powered on, the fuser will be hot. This area is clearly labelled. Do not touch.

2. Note the positions of the four toner cartridges (a) and image drums (b). It is essential that they go back in the same order.



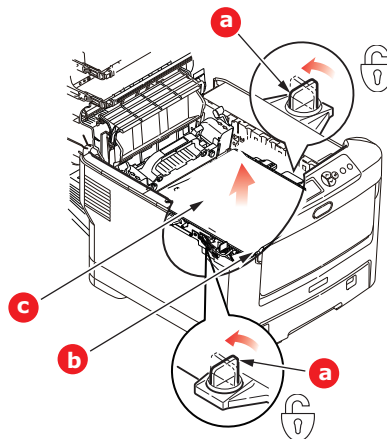
3. Lift each of the image drum units out of the printer and place them in a safe place away from direct sources of heat and light.



CAUTION!

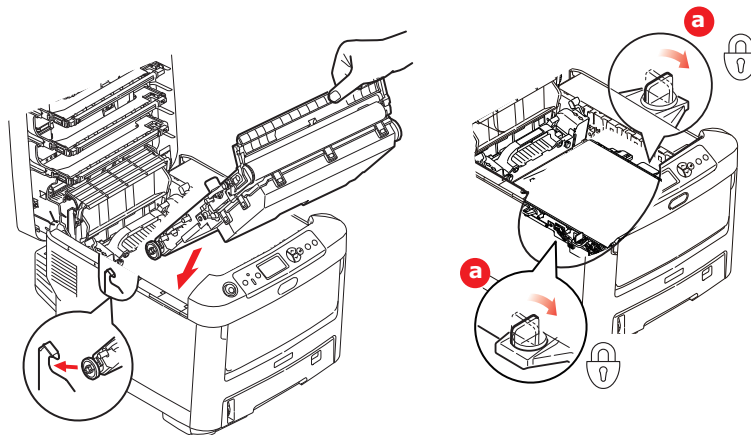
The green image drum surface at the base of each cartridge is very delicate and light sensitive. Do not touch it and do not expose it to normal room light for more than 5 minutes. If the drum unit needs to be out of the printer for longer than this, please wrap the cartridge inside a black plastic bag to keep it away from light. Never expose the drum to direct sunlight or very bright room lighting.

4. Locate the two fasteners (a) at each side of the belt and the lifting bar (b) at the front end.



5. Turn the two fasteners 90° to the left. This will release the belt from the printer chassis.
6. Pull the lifting bar (b) upwards so that the belt tilts up towards the front, and withdraw the belt unit (c) from the printer.

7. Lower the new belt unit into place, with the lifting bar at the front and the drive gear towards the rear of the printer. Locate the drive gear into the gear inside the printer by the rear left corner of the unit, and lower the belt unit flat inside the printer.



8. Turn the two fasteners (a) 90° to the right until they lock. This will secure the belt unit in place.
9. Replace the four image drums, complete with their toner cartridges, into the printer in the same sequence as they came out: cyan (nearest the rear), magenta, yellow and black (nearest the front).
10. Finally, close the output tray and press down firmly at both sides so that the cover latches closed.

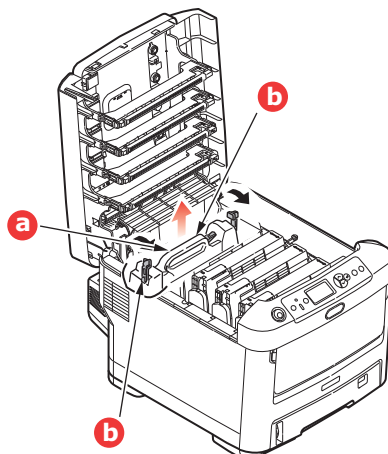
FUSER REPLACEMENT

The fuser is located inside the printer just behind the four image drum units.

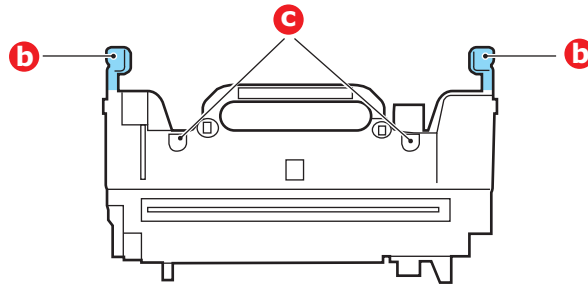
WARNING

If the printer has recently been powered on, some fuser components will be very hot. Handle the fuser with extreme care, holding it only by its handle, which will only be mildly warm to the touch. A warning label clearly indicates the area. If in doubt, switch the printer off and wait at least 10 minutes for the fuser to cool before opening the printer cover.

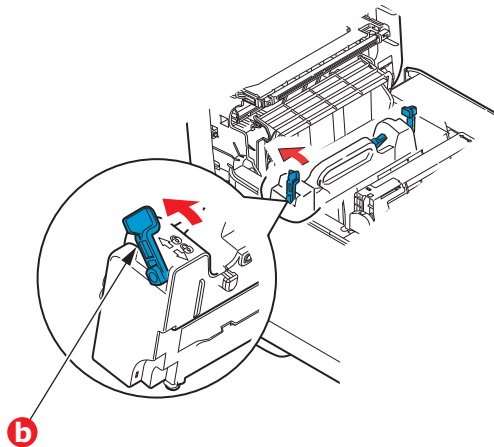
1. Press the cover release and open the printer's output tray fully.
2. Identify the fuser handle (a) on the top of the fuser unit.



3. Pull the two fuser retaining levers (b) towards the front of the printer so that they are fully upright.
4. Holding the fuser by its handle (a), lift the fuser straight up and out of the printer. If the fuser is still warm, place it on a flat surface which will not be damaged by heat.
5. Remove the new fuser from its packaging and remove the transit material.
6. Holding the new fuser by its handle, make sure that it is the correct way round. The retaining levers (b) should be fully upright, and the two locating lugs (c) should be towards you.



7. Lower the fuser into the printer, locating the two lugs (c) into their slots in the metal partition which separates the fuser area from the image drums.
8. Push the two retaining levers (b) towards the rear of the printer to lock the fuser in place.



9. Finally, close the output tray and press down firmly at both sides so that the cover latches closed.

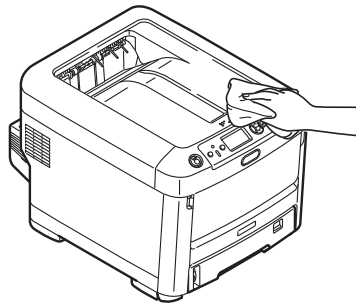
CLEANING

CAUTION!

Use a clean, moist, lint-free cloth for cleaning. Do not use benzene, thinners or alcohol as a cleaning agent.

...THE UNIT CASING

1. Switch the printer off.
2. Wipe the unit surface with a soft cloth moistened sparingly with water or neutral detergent.



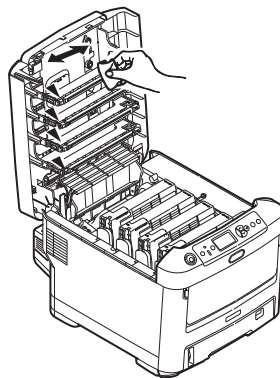
3. Use a soft dry cloth to dry the unit surface.

...THE LED HEAD

Clean the LED heads when printing does not come out clearly, has white lines or when text is blurred.

There is no need to switch off the printer to clean the lens.

1. Press the cover release and open the printer's output tray fully.
2. Gently wipe the LED head surface with a clean, lint free cloth.



CAUTION!

Do not use methyl alcohol or other solvents on the LED head as damage to the lens surface will occur.

3. Close the output tray and press down firmly at both sides so that the cover latches closed.

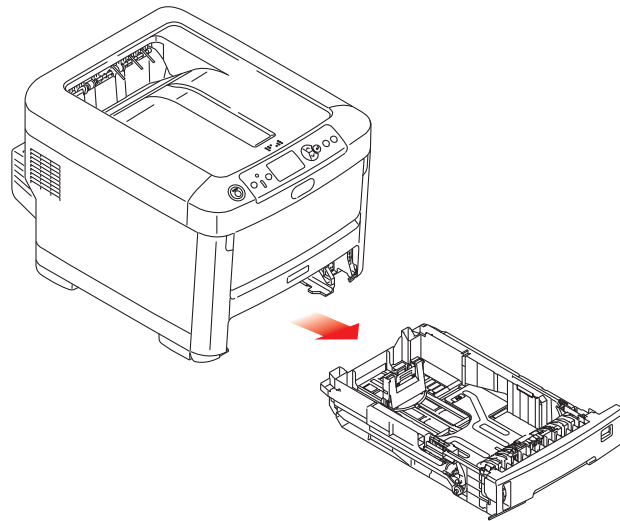
...THE PAPER FEED ROLLERS

Clean the paper feed rollers if paper jams frequently occur.

CAUTION!

Use a clean, moist, lint-free cloth for cleaning. Do not use benzine, thinners or alcohol as a cleaning agent.

1. Remove items like a wrist watch or bracelet.
2. Switch the printer off.
3. Remove the paper tray from the printer.



4. Gaining access through the gap left by paper tray, wipe the paper feed rollers with a clean, lint-free cloth moistened with water.
5. Wipe the feed roller on the paper tray.
6. Replace the paper tray.

INSTALLING UPGRADES

NOTE

For illustrative purposes, the C712 printer has been shown. If you have a C612 printer, the principle is the same.

This section explains how to install optional equipment into your printer. This includes:

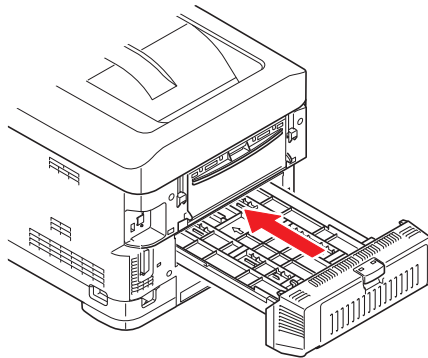
- > duplex (two-sided printing) unit
- > additional RAM memory
- > SD card
- > Wireless LAN module
- > additional paper tray(s)
- > cabinet

DUPLEX UNIT

The duplex unit adds the function of two-sided printing, using less paper and making large documents easier to handle. It also enables booklet printing, which uses even less paper and makes large documents even easier to handle.

The duplex unit slides straight into the rear of the printer and requires no tools to install.

1. Unpack the new unit and remove any transit material from it.
2. Switch the printer off. It is not necessary to disconnect the AC power cable.
3. Ensure that the unit is the right way up, as shown, and push it into the slot behind the rear panel. The panel will swing inwards as you push the unit into it. Push the unit all the way in until it stops and latches home.



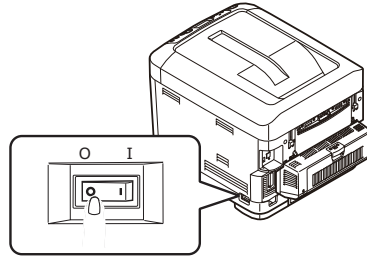
4. Switch the printer on and wait for it to warm up (about 1 minute).
5. Print a menu map as follows:
 - (a) Press the **Enter** button.
 - (b) Press the **Menu down** button, then the **Enter** button to select the Print Information menu.
 - (c) Select **Configuration** with the **Enter** button.
 - (d) Press the **Enter** button once more to execute the Configuration menu.
 - (e) When the Configuration map is printed, press **Online** to exit the menu system.
6. Examine the first page of the menu map.
7. Near the top of the page, between the two horizontal lines, you will see the current printer configuration. This list should indicate that the duplex unit is now installed.

All that remains is to adjust the printer driver to make full use of the new features (["Setting the driver device options" on page 79](#)).

MEMORY UPGRADE

The basic printer model comes equipped with 256MB of main memory. This can be upgraded with an additional memory board of 256MB or 512MB, giving a maximum total memory capacity of 768MB.

1. Switch the printer off and disconnect the AC power cable.

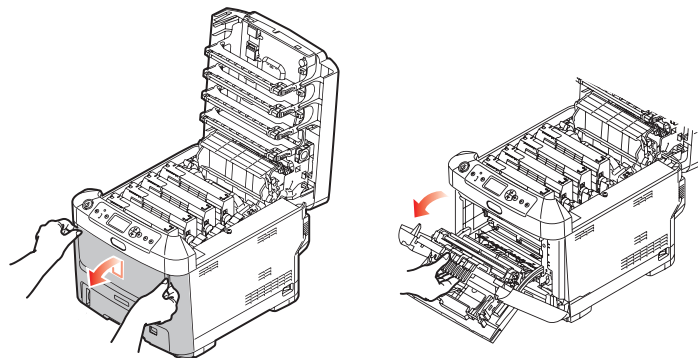


2. Press the cover release and open the printer's output tray fully.

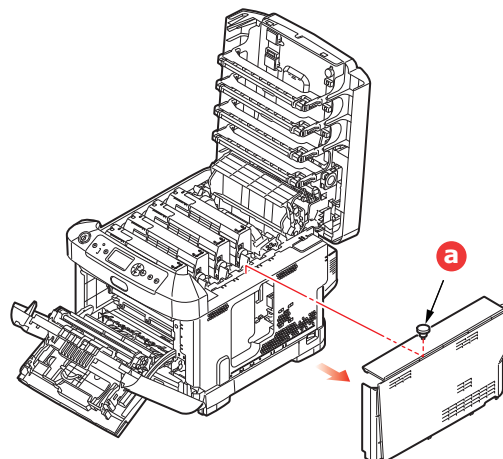
WARNING!

If the printer has been powered on recently, the fuser will be hot. This area is clearly labelled. Do not touch.

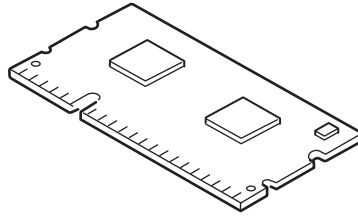
3. Pull down the MP Tray using the depressions. Lift the front cover release lever and lower the front cover.



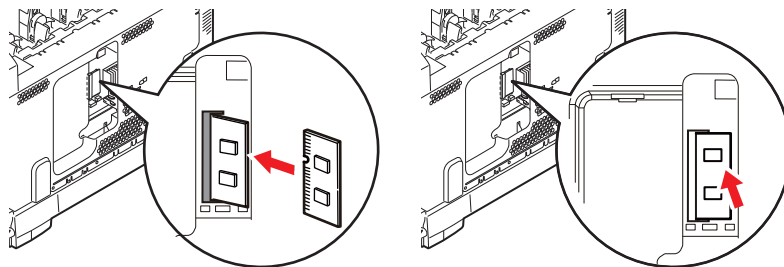
4. Loosen the screw (a) securing the right-hand side cover.
5. Lift the edge of the side cover slightly and pull the cover away from the printer at the top. Lift the cover slightly to detach it from the printer. Place it safely to one side.



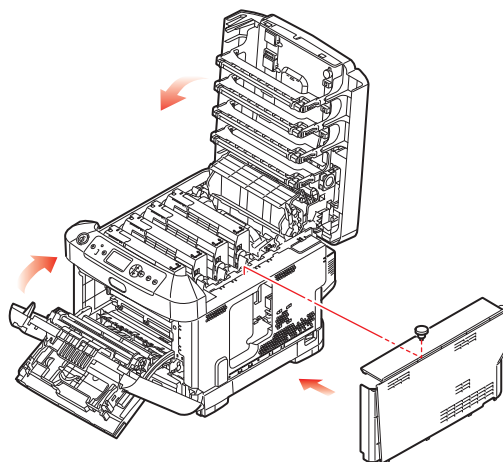
6. Carefully remove the new memory board from its wrapping. Try to handle the board only by its short edges, avoiding contact with any metal parts as far as possible. In particular, avoid touching the edge connector.
7. Notice that the memory board has a small cutout in the edge connector, which is closer to one end than the other.



8. Identify the RAM expansion slot in the printer.
9. If the RAM expansion slot already contains a memory upgrade board, that board will have to be removed before you can install the new one. To remove it, proceed as follows, otherwise skip to step 10.
 - (a) Release retaining clips and pull the board out of the slot.
 - (b) Place the removed memory board in the antistatic bag which originally contained the new memory board.
10. Hold the new memory board by its short edges, so that the edge connector faces in towards the RAM expansion slot, and the small cutout is closer to the rear of the printer.
11. Gently push the board into the RAM expansion slot until it latches in and will not go any further.



12. Locate the retaining clips at the bottom of the side cover into their rectangular holes near the bottom of the printer.
13. Close the top of the side cover up to the printer and refit the securing screw loosened in step 4.



14. Close the front cover, and close the output tray, pressing down firmly at each side to latch it closed.
15. Reconnect the AC power cable and switch the printer on.
16. When the printer is ready, print a menu map as follows:
 - (a) Press the **Enter** button.
 - (b) Press the **Menu down** button then the **Enter** button to select the Print Information menu.
 - (c) Select **Configuration** with the **Enter** button.
 - (d) Press the **Enter** button once more to execute the Configuration menu.
 - (e) When the Configuration map is printed, press **On Line** to exit the menu system.
17. Examine the first page of the menu map.

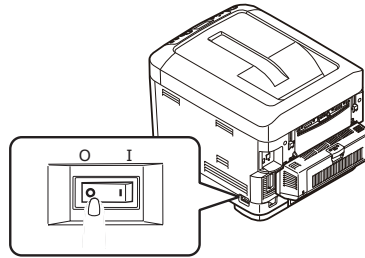
Near the top of the page, between the two horizontal lines, you will see the current printer configuration. This list contains the figure for total memory size.

This should indicate the total memory now installed.

SD CARD

The optional SD card enables collating of printed pages and can be used to store overlays and macros, fonts, and secure or proof documents waiting to be printed.

1. Switch the printer off and disconnect the AC power cable.

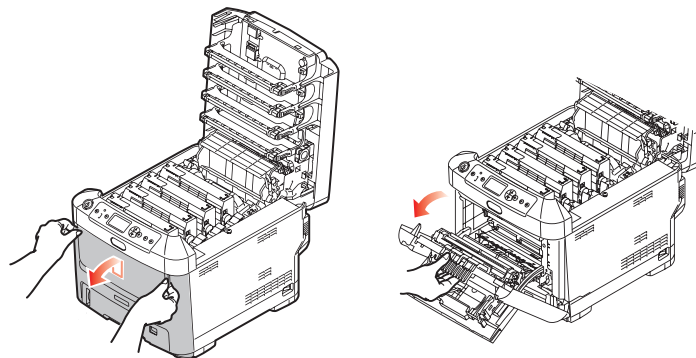


2. Press the cover release and open the printer's output tray fully.

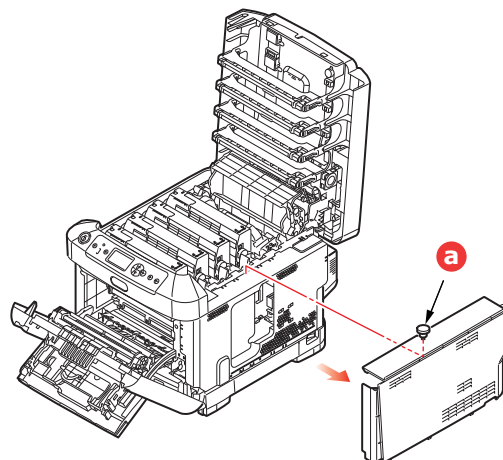
WARNING!

If the printer has been powered on recently, the fuser will be hot. This area is clearly labelled. Do not touch.

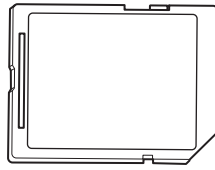
3. Pull down the MP Tray using the depressions. Lift the front cover release lever and lower the front cover.



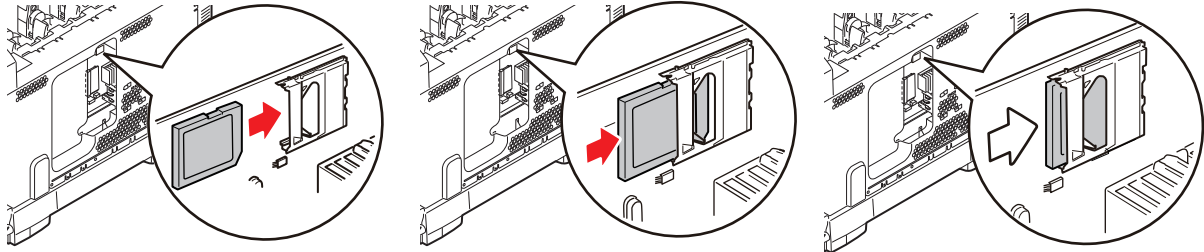
4. Loosen the screw (a) securing the right-hand side cover. Lift the edge of the side cover slightly and pull the cover away from the printer at the top. Lift the cover slightly to detach it from the printer. Place it safely to one side.



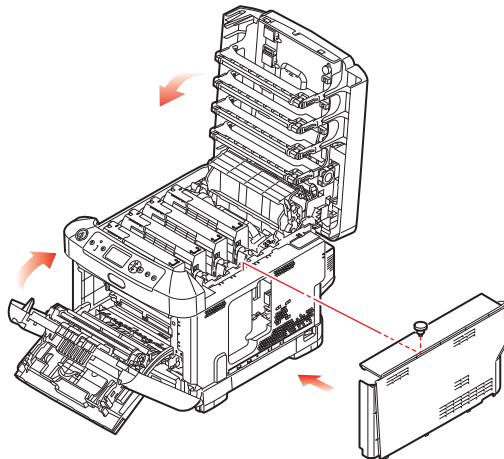
5. Notice that the SD card has one chamfered corner.



6. Gently push the SD card into the slot as shown.



7. Locate the retaining clips at the bottom of the side cover into their rectangular holes near the bottom of the printer.
8. Close the top of the side cover up to the printer and refit the securing screw loosened in step 4.



9. Close the front cover and the output tray, pressing down firmly at each side to latch it closed.
10. Reconnect the AC power cable and switch the printer on.
11. When the printer is ready, print a menu map as follows:
 - (a) Press the **Enter** button.
 - (b) Press the **Menu down** button then the **Enter** button to select the Print Information menu.
 - (c) Select **Configuration** with the **Enter** button.
 - (d) Press the **Enter** button once more to execute the Configuration menu.
 - (e) When the Configuration map is printed, press **On Line** to exit the menu system.
12. Examine the first page of the menu map. This should now indicate that the SD card is installed.

WIRELESS LAN MODULE

The optional wireless LAN module to the machine allows you to use the wireless LAN function.

1. Turn the machine off, and then unplug the power cord.

NOTE

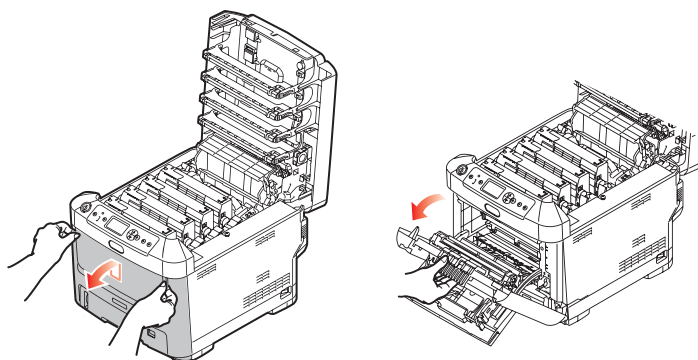
Wait for at least 1 minute after unplugging the power cord, and then proceed to the next step.

2. Press the cover release and open the printer's output tray fully.

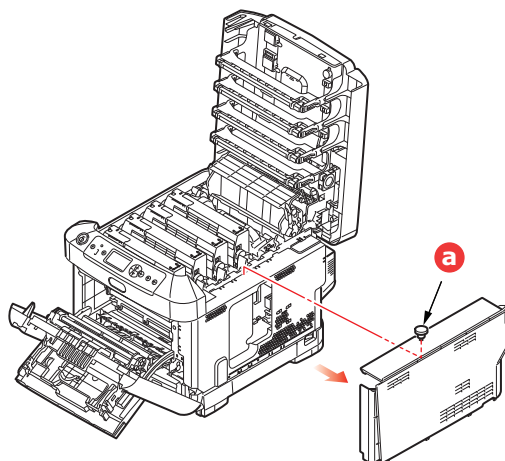
WARNING!

If the printer has been powered on recently, the fuser will be hot. This area is clearly labelled. Do not touch.

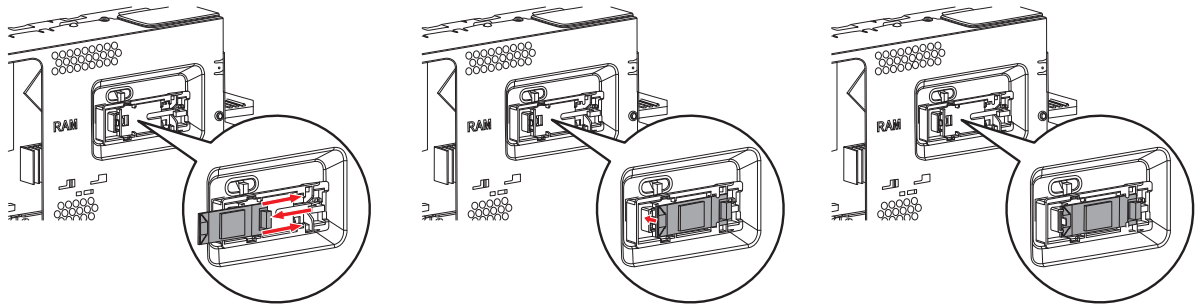
3. Pull down the MP Tray using the depressions. Lift the front cover release lever and lower the front cover.



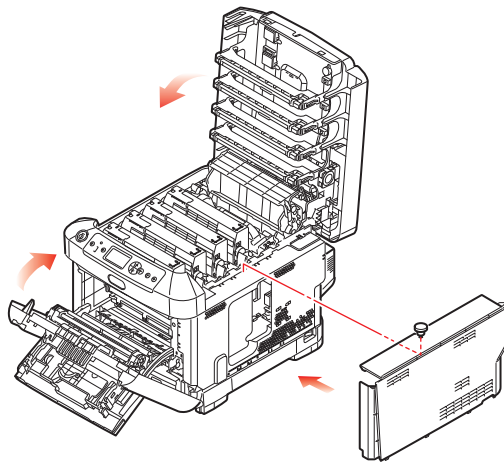
4. Loosen the screw (a) securing the right-hand side cover. Lift the edge of the side cover slightly and pull the cover away from the printer at the top. Lift the cover slightly to detach it from the printer. Place it safely to one side.



5. Connect the connector of the connection cable at the rear of right side to the wireless LAN module, and then install the module to the machine.



6. Locate the retaining clips at the bottom of the side cover into their rectangular holes near the bottom of the printer.
7. Close the top of the side cover up to the printer and refit the securing screw loosened in step 4.



8. Close the front cover and the output tray, pressing down firmly at each side to latch it closed.
9. Press and hold the **Enter** button on the operator panel while turning on the printer.
10. Press the **Enter** button.
11. Enter the Admin password, and then press the **Enter** button.
(The default password is 999999.)
12. Select **Wireless Module**, and then press the **Enter** button.
13. Select **Enable**, and then press the **Enter** button.

CONNECTING IN WIRELESS LAN(INFRASTRUCTURE MODE)

Precautions When Using Wireless LAN

Carefully read the following precautions before using the machine in a wireless LAN environment.

- In a wireless LAN environment, the machine enters sleep mode, but does not enter deep sleep mode.
- Do not place any devices (especially microwave ovens or digital cordless telephones) that emit weak electromagnetic waves near the machine.
- Install the machine near a wireless LAN access point or wireless device with no obstacles between them (the distance should be within 30m).
- Wireless connections may be difficult if there is any metal, aluminum framed windows, or reinforced concrete walls between the machine and the wireless LAN access point.
- Wireless LAN connections may have slower transmission speeds, depending on the environment, than wired LAN or USB connections. We recommend using a wired LAN or a USB connection to print large amounts of data, such as photographs.

To choose a valid default gateway.

1. Press **up** or **down** on the operator panel to display **Admin Setup**.
2. Press the **Enter** button.
3. Enter the Admin password, and then press the **Enter** button.
(The default password is 999999.)
4. Press **up** or **down** on the operator panel to display **Network Setup**, and then press the **Enter** button.
5. Press **up** or **down** on the operator panel to display **Enabling Default Gateway**, and then press the **Enter** button.
6. Press **down** on the operator panel to display **Wireless(Infrastructure)**, and then press the **Enter** button.

Connecting Using WPS

If the wireless LAN access point supports WPS, the connection to the wireless LAN can be made easily by using the easy setup button (WPS button).

Follow the procedure below for the setup.

1. Confirm the position of the easy setup button and when to press the button by referring to the user manual of the wireless LAN access point.
2. Confirm that the wireless LAN access point has been activated and is functioning normally.
3. Turn on the printer.
4. Press **up** or **down** on the operator panel to display **Wireless(Infrastructure) Setting**, and then press the **Enter** button.
5. Enter the Admin password, and then press the **Enter** button.
6. Press **up** on the operator panel to select **Enable**, and then press the **Enter** button.
7. Press **up** or **down** on the operator panel to display **Automatic setup (WPS)**, and then press the **Enter** button.
8. Select **WPS-PBC**, and then press the **Enter** button.

9. Select **Yes**, and then press the **Enter** button.
10. The Printer starts searching for wireless LAN access points. During 2 minutes, press the easy setup button for the wireless LAN access point for a few seconds.

Once **Connection successful** is displayed, it indicates that the wireless LAN setup has completed.

If **Connection failed** is displayed, repeat the procedure from step 4.

If an antenna appears on the upper right corner of the operator panel, it indicates that the connection is successful.

Connecting by Selecting a Wireless LAN Access Point from the Control Panel

If the wireless LAN access point does not support WPS, you can connect by selecting the wireless LAN access point you want to use from those the machine has detected. To do this, an encryption key is required.

1. Confirm and write down the SSID and encryption key by referring to the user manual of the wireless LAN access point.

MEMO

> The SSID is also called the network name, ESSID, or ESS-ID.

> The encryption key is also called the network key, security key, password, or pre-shared key.

2. Confirm that the wireless LAN access point has been activated and is functioning normally.
3. Turn on the printer.
4. Press **up** or **down** on the operator panel to display **Wireless(Infrastructure) Setting**, and then press the **Enter** button.
5. Enter the Admin password, and then press the **Enter** button.
6. Press **up** on the operator panel to select **Enable**, and then press the **Enter** button.
7. Press **up** or **down** on the operator panel to display **Wireless Network Selection**, and then press the **Enter** button.
8. The printer starts searching for wireless LAN access points. Please wait.
9. A list of available wireless LAN access point SSIDs are displayed. Press **up** or **down**, select a wireless LAN access point, and press the **Enter** button.

NOTE

If only **Manual Setup** is displayed or the desired wireless LAN network SSID is not displayed, follow the procedure in "Connecting by Manual Setup from Control Panel" to do the settings.

10. A screen opens in which the encryption key may be input based on the encryption procedure for the selected LAN access point.

MEMO

The encryption key differs depending on the wireless LAN access point and security.

- If **WPA Pre-shared Key** is displayed

ITEM	EXPLANATION
Encryption method	WPA/WPA2-PSK
Encryption key	Enter the pre-shared key.

- If **WEP Key** is displayed

ITEM	EXPLANATION
Encryption method	WEP
Encryption key	Input the WEP key.

- Other settings

ITEM	EXPLANATION
Encryption method	Disable
Encryption key	Input is not necessary.

11. The SSID selected in step 7 and the encryption method in step 8 are displayed for security in the confirmation screen. If the SSID is the same as the one set up in step 1, select **[Enter]:Execute** and press the **Enter** button.

Once **Connection successful** is displayed, it indicates that the wireless LAN setup has completed.

If **Connection failed** is displayed, repeat the procedure from step 4.

If an antenna appears on the upper right corner of the operator panel, it indicates that the connection is successful.

Connecting by Manual Setup from Control Panel

Configure the wireless LAN access point information (SSID, encryption method, and encryption key) manually, and connect to the wireless LAN.

1. Check and write down the SSID, the encryption method and the encryption key by referring to the user manual of the wireless LAN access point.

NOTE

When the encryption method is WPA-EAP or WPA2-EAP, configure from the printer's web page.

MEMO

- > *The SSID is also called the network name, ESSID, or ESS-ID.*
 - > *The encryption key is also called the network key, security key, password, or pre-shared key.*
-

2. Confirm that the wireless LAN access point has been activated and is functioning normally.
3. Turn on the printer.
4. Press **up** or **down** on the operator panel to display **Wireles(Infrastructure) Setting**, and then press the **Enter** button.
5. Enter the Admin password, and then press the **Enter** button.
6. Press **up** on the operator panel to select **Enable**, and then press the **Enter** button.

7. Press **up** or **down** on the operator panel to display **Wireless Network Selection**, and then press the **Enter** button.
8. The printer starts searching for wireless LAN access points. Please wait.
9. A list of available wireless LAN access point SSIDs are displayed. Press **up** or **down**, select **Manual Setup** at the end of the list, and press the **Enter** button.
10. Input the SSID recorded in step 1, and press the **Enter** button.

NOTE
It is case sensitive. Please enter it correctly.

11. Select the encryption method confirmed in step 1, and press the **Enter** button.

MEMO
The encryption key differs depending on the wireless LAN access point and security.

12. Input the encryption key recorded in step 1, and press the **Enter** button.

Once **Connection successful** is displayed, it indicates that the wireless LAN setup has completed.

If **Connection failed** is displayed, repeat the procedure from step 4.

If an antenna appears on the upper right corner of the operator panel, it indicates that the connection is successful.

Set the IP Address

Set a different IP address for the wireless LAN from that of the wired LAN. Enter the setting menu and make the settings by the following procedure.

1. Press **up** or **down** on the operator panel to display **Wireless(Infrastructure) Setting**, and then press the **Enter** button.
2. Enter the Admin password and then press the **Enter** button.
(The default password is 999999.).
3. Press **up** or **down** on the operator panel to display **Network Setting**.
4. **Auto** or **Manual** in the **IP Address Set**.

If **Manual** is selected, manually input the IPv4 Address, Subnet Mask and Gateway Address.

CONNECTING IN WIRELESS LAN(AP MODE)

Automatic Setup (Push Button)

If the wireless terminal (computer, tablet, smartphone, etc.) supports WPS-PBC (push button), then you can use the WPS button to connect via wireless (AP mode).

Follow the procedure below to connect.

1. Confirm the position of the WPS button in the user's manual provided with the wireless terminal (computer, tablet, smartphone, etc.).
2. Turn on the printer.
3. Press **up** or **down** on the operator panel to display **Wireless(AP Mode) Setting**, and then press the **Enter** button.

4. Enter the Admin password and then press the **Enter** button.
(The default password is 999999.)
5. Select **Enable**, and then press the **Enter** button.
6. Press **up** or **down** on the operator panel to display **Automatic Setup (PushButton)**, and then press the **Enter** button.
7. Select **Yes**, and then press the **Enter** button.
8. Start WPS-PBC (push button) on the wireless terminal (computer, tablet, smartphone, etc.).

Manual connections

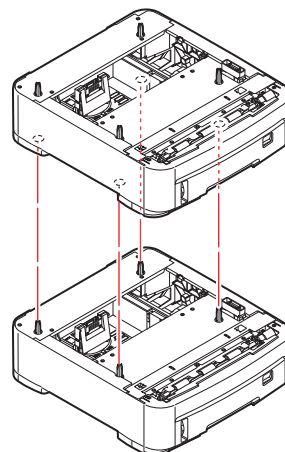
If the wireless terminal (computer, tablet, smartphone, etc.) does not support WPS-PBC (push button), then you can input the machine's SSID and password into the wireless terminal (computer, tablet, smartphone, etc.) to connect.

Follow the procedure below to connect.

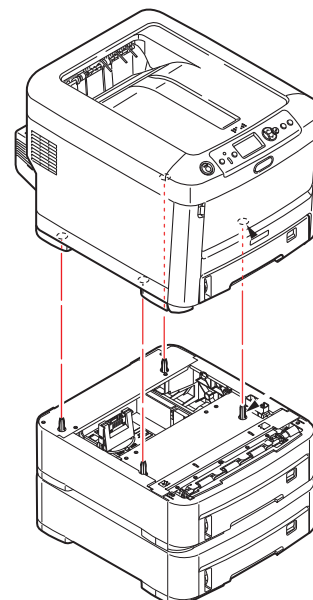
1. Turn on the printer.
2. Press **up** or **down** on the operator panel to display **Wireless(AP Mode) Setting**, and then press the **Enter** button.
3. Enter the Admin password and then press the **Enter** button.
(The default password is 999999.)
4. Select **Enable**, and then press the **Enter** button.
5. Press **up** or **down** on the operator panel to display **Manual Setup**, and then press the **Enter** button.
6. Confirm the **SSID** and **Password** that are displayed on the printer.
7. Input the printer's **SSID** and **Password** that were confirmed in step 6 for the wireless terminal (computer, tablet, smartphone, etc.).

ADDITIONAL PAPER TRAY(S)

1. Switch the printer off and disconnect the AC power cable.
2. Place additional paper tray(s) on desired location.



3. Observing safety rules for lifting and, using locating guides, place printer on top of the additional paper tray(s).



4. Re-connect the AC power cable and switch the printer ON.

All that remains is to adjust the printer driver to make full use of the new features (["Setting the driver device options" on page 79](#)).

SETTING THE DRIVER DEVICE OPTIONS

Once your new upgrade has been installed, you may need to update the printer driver so that the additional features are available to your applications.

Accessories such as additional paper trays will only be usable if the printer driver on your computer knows they are there.

In some cases the hardware configuration of your machine is automatically detected when the driver is installed. However, it is advisable to at least check whether all of the available hardware features are listed in the driver.

This procedure is essential if you subsequently add extra hardware features to your machine after the drivers have been installed and set up.

Remember that if your machine is shared between users on different computers, the driver must be adjusted on each user's machine.

Windows

1. Access the driver's Properties window.
 - (a) Open **Devices and Printers** via the Start Menu or from the Windows Control Panel.
 - (b) Right-click the icon for this machine, and choose **Printer Properties** from the pop-up menu.
2. Select the **Device Options** tab.
In the PostScript driver the tab may be called **Device Settings**.
3. Set the options for any devices you have just installed.
4. Click **OK** to close the window and save your changes.

Mac OS X

1. Select System Preference from the Apple menu. Open the **Printers & Scanners**.
2. Ensure your machine is selected.
3. Click **Options & Supplies**.
4. Click **Options**.
5. Select all hardware options appropriate to your machine and click **OK**.

STORAGE CABINET

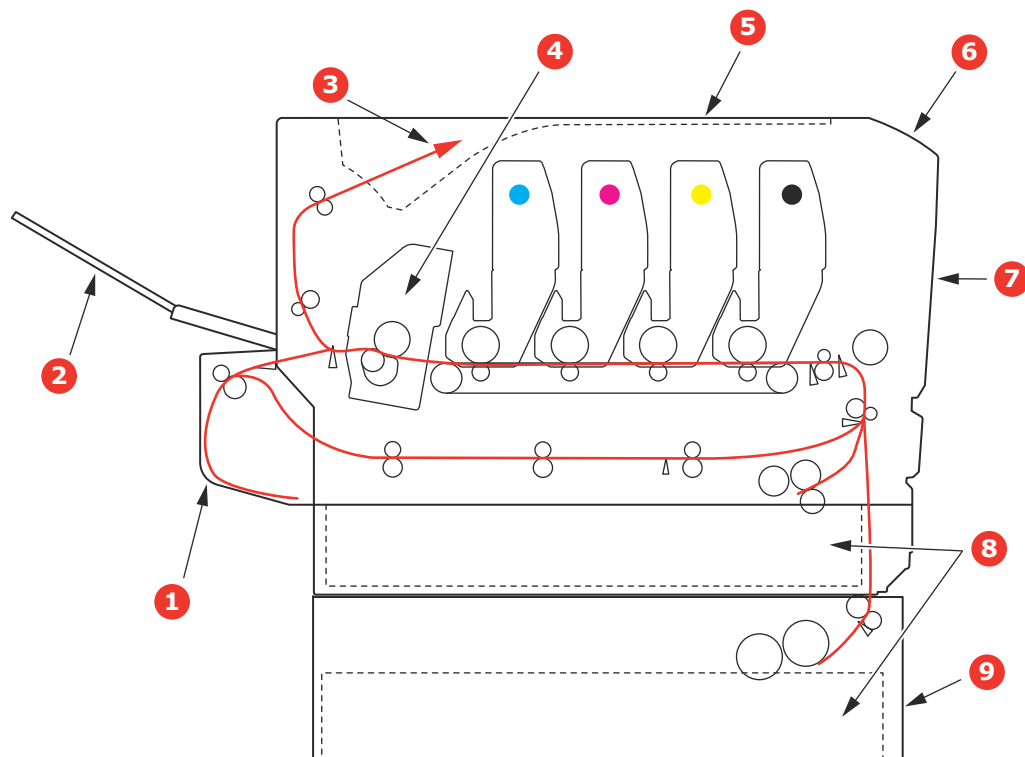
Instructions for installing the Storage Cabinet are supplied with the cabinet.

TROUBLESHOOTING

Provided that you follow the recommendations in this guide on the use of print media, and you keep the media in good condition prior to use, your printer should give years of reliable service. However, paper jams occasionally do occur, and this section explains how to clear them quickly and simply.

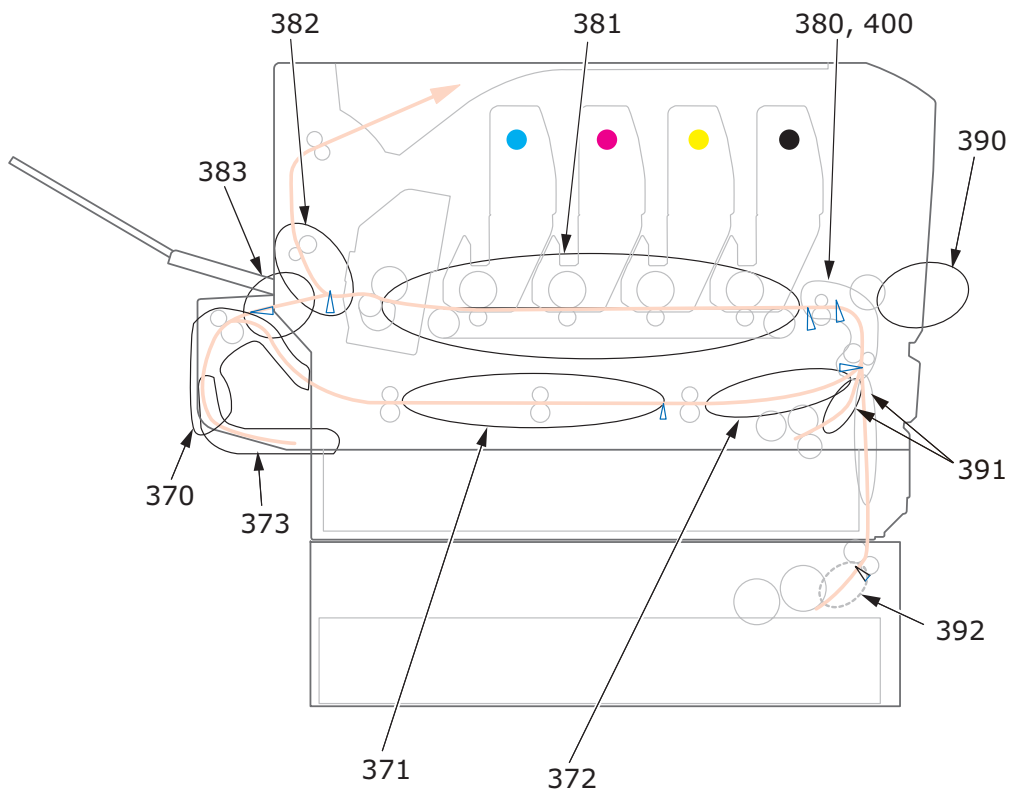
Jams can occur due to paper misfeeding from a paper tray or at any point on the paper path through the printer. When a jam occurs, the printer immediately stops, and the Attention LED on the control panel informs you of the event. If printing multiple pages (or copies), do not assume that, having cleared an obvious sheet, others will not also be stopped somewhere along the path. These must also be removed in order to clear the jam fully and restore normal operation.

MAJOR PRINTER COMPONENTS AND PAPER PATH



- | | |
|-----------------------------|---------------------------------------|
| 1. Duplex unit (if fitted). | 6. Operator panel. |
| 2. Rear output tray. | 7. Front cover. |
| 3. Paper exit. | 8. Paper tray. |
| 4. Fuser unit. | 9. Additional paper tray (if fitted). |
| 5. Output tray. | |

PAPER SENSOR ERROR CODES



CODE #	LOCATION	CODE #	LOCATION
370	Duplex unit ^a	382	Paper exit
371	Duplex unit ^a	383	Duplex unit ^a
372	Duplex unit ^a	390	MP Tray
373	Duplex unit ^a	391	Paper Tray
380	Paper feed	392	2 nd Paper tray ^a
381	Paper path	400	Paper size

a. If fitted.

CLEARING PAPER JAMS

NOTE

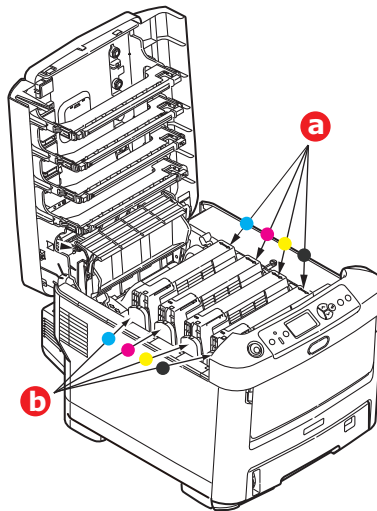
For illustrative purposes, the C712 printer has been shown. If you have a C612 printer, the principle is the same.

1. If a sheet is well advanced out of the top of the printer, simply grip it and pull gently to draw it fully out. If it does not remove easily, do not use excessive force. It can be removed from the rear later.
2. Press the cover release and open the printer's output tray fully.

WARNING!

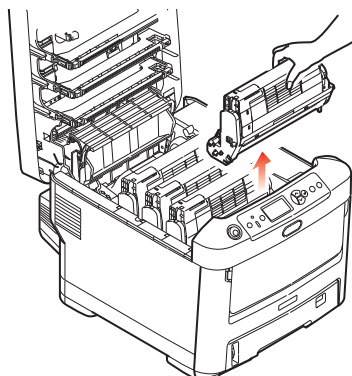
If the printer has been powered on, the fuser will be hot. This area is clearly labelled. Do not touch.

3. Note the positions of the four toner cartridges (a) and image drums (b). It is essential that they go back in the same order.

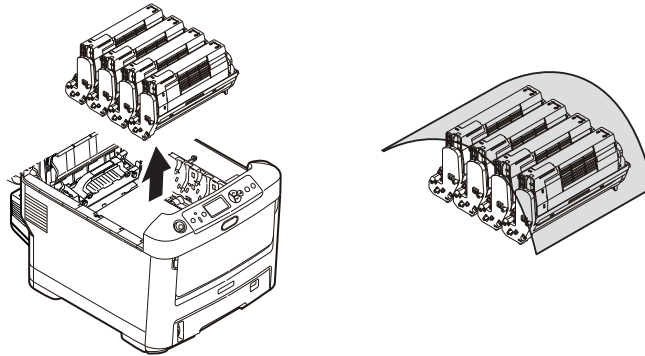


It will be necessary to remove the four image drums to gain access to the paper path.

4. Holding it by its top centre, lift the image drum, complete with its toner cartridge, up and out of the printer.



5. Put the assembly down gently onto a piece of paper to prevent toner from marking your furniture and to avoid damaging the green drum surface, and cover.

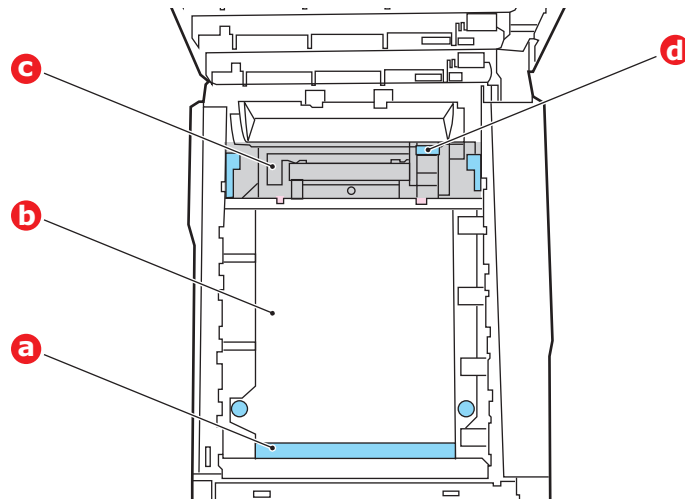


CAUTION!

The green image drum surface at the base of the Image Drum is very delicate and light sensitive. Do not touch it and do not expose it to normal room light for more than 5 minutes. If the drum unit needs to be out of the printer for longer than this, please wrap the cartridge inside a black plastic bag to keep it away from light. Never expose the drum to direct sunlight or very bright room lighting.

6. Repeat this removal procedure for each of the remaining image drum units.

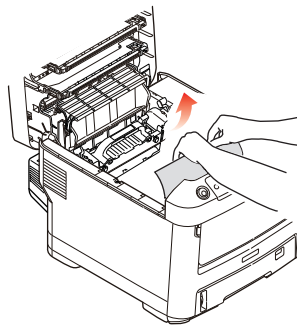
7. Look into the printer to check whether any sheets of paper are visible on any part of the belt unit.



CAUTION!

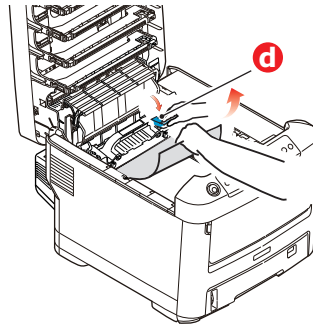
Do not use any sharp or abrasive objects to separate sheets from the belt. This may damage the belt surface.

- (a) To remove a sheet with its leading edge at the front of the belt (a), carefully lift the sheet from the belt and pull it forwards into the internal drum cavity and withdraw the sheet.



- (b) To remove a sheet from the central area of the belt (b), carefully separate the sheet from the belt surface and withdraw the sheet.

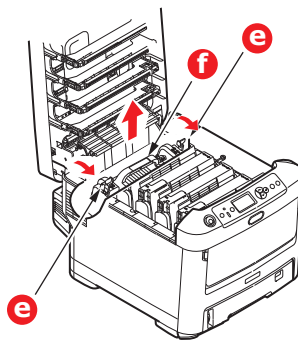
- (c) To remove a sheet just entering the fuser (c), separate the trailing edge of the sheet from the belt, push the fuser pressure release lever (d) towards the front and down to release the fuser's grip on the sheet, and withdraw the sheet through the drum cavity area. Then allow the pressure release lever to rise again.



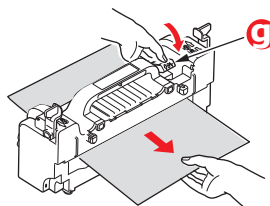
NOTE

If the sheet is well advanced into the fuser (only a short length is still visible), do not attempt to pull it back.

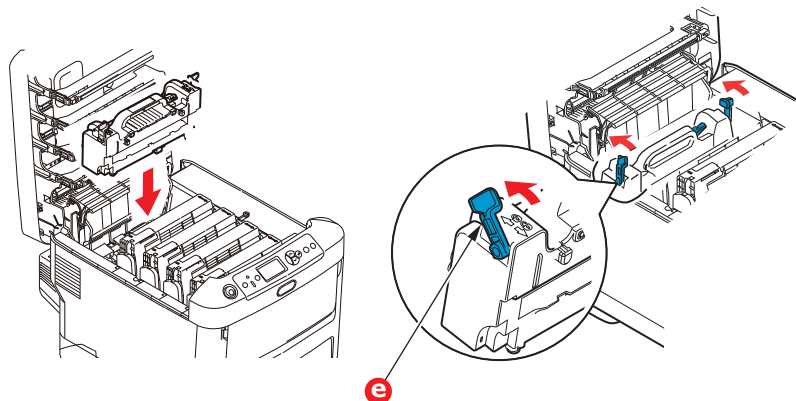
- (d) To remove a sheet in the fuser, push the two retaining levers (e) towards the rear of the printer to release the fuser. Withdraw the fuser unit using the handle (f).



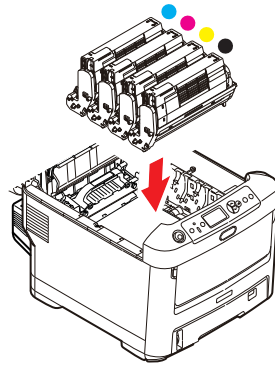
- (e) Press release lever (g) and pull the trapped paper from the fuser.



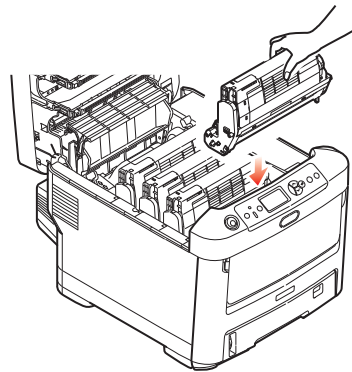
- (f) Replace fuser unit into the machine and move locking levers (e) toward the rear of the machine.



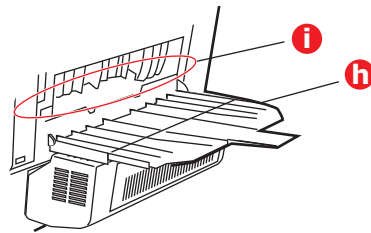
- 8.** Starting with the cyan image drum unit nearest the fuser, replace the four image drums into the drum cavity, making sure to locate them in the correct order.



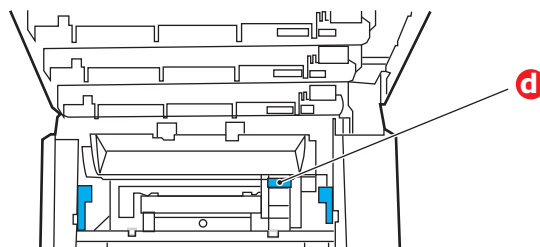
Holding the complete assembly by its top centre, lower it into place in the printer, locating the pegs at each end into their slots in the sides of the printer cavity.



- 9.** Lower the output tray but do not press down to latch it closed yet. This will protect the drums from excessive exposure to room lighting while you check the remaining areas for jammed sheets.
- 10.** Open the rear output tray (h) and check for a sheet of paper in the rear path area (i).

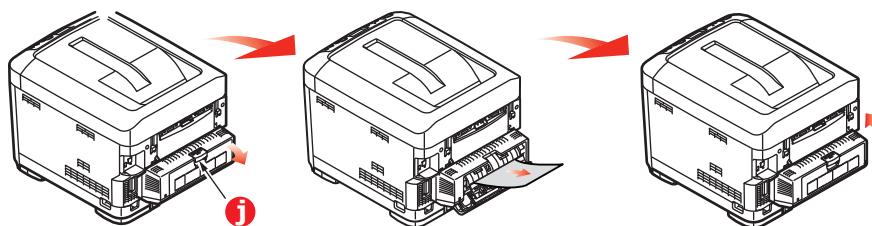


- > Pull out any sheets found in this area.
- > If the sheet is low down in this area and difficult to remove, it is probably still gripped by the fuser. In this case raise the output tray, reach around and press down on the fuser pressure release lever (d).

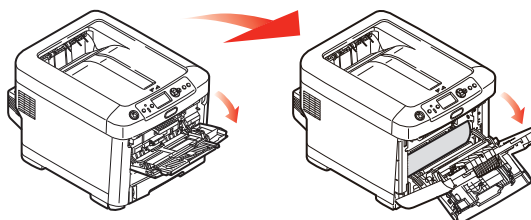


- 11.** If you are not using the rear output tray, close it once any paper has been removed from this area.

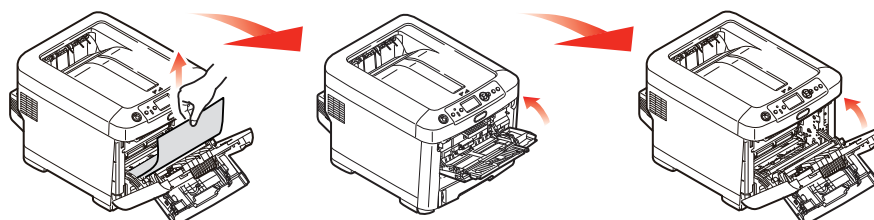
12. If a duplex unit is fitted, lift lever (j) and lower the duplex unit cover and pull out any sheets found in this area. Close the duplex unit cover



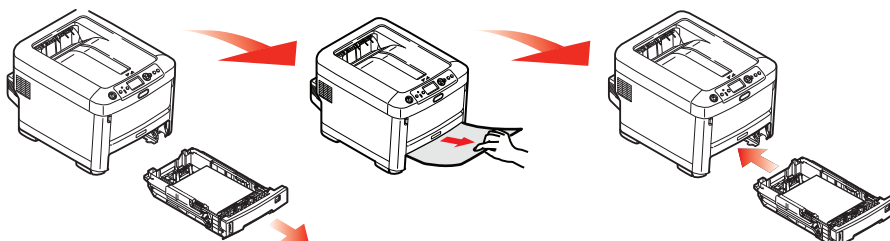
13. Pull down the MP Tray using the depressions. Lift the front cover release lever and lower the front cover.



14. Check inside the cover for sheets in this area and remove any that you find, then close the cover.



15. Pull out the paper tray and ensure that all paper is stacked properly, is undamaged, and that the paper guides are properly positioned against the edges of the paper stack. When satisfied, replace the tray.



16. Finally, close the output tray and press down firmly so that the cover latches closed. When the jam has been cleared, if Jam Recovery is set to ON in the System Adjust Menu, the printer will attempt to reprint any pages lost due to paper jams.

When the error message "**Caution, unknown Consumable detected**" is displayed, you can use any consumables in your product, but you must accept the risks of using non-genuine consumables. If the use of non-genuine consumables causes damage to the product or results in your product not functioning to its full specification, then such damage or effect on the product is not covered by warranty. To accept these risks and to restore function;

1. Turn off your product.
2. Press and hold the **Cancel** button and turn your product on.
3. After start up, release the **Cancel** button.

NOTE
This operation will be recorded for future reference.

BEFORE MACHINE DISPOSAL

Before this machine is disposed of, it is recommended to erase the registered privacy data and the stored data.

The data stored in the machine is shown below.

- > Admin password
 - > Registered settings in various menus
 - > Private printing data
 - > Various records
 - > Access control, user management data (local user, external user cache **LDAP**, and **Kerberos**)
1. Press the **Menu** button on the operator panel.
 2. Press the scroll button ▼ to select **Admin Setup**, and press the **Enter** button.
 3. Input the Admin password.
 4. Select **Others Setup > Erase Privacy Data**.
 5. Once **Are You Sure?** is displayed, select **Yes**, and press the **Enter** button.
 6. Once **Would you like really?** is displayed, select **Yes**, and press the **Enter** button. Restart the machine to erase the data.

NOTE

Once the action is executed, the erased data cannot be restored. To cancel the erasing, select **No** in step 5 or step 6.

SPECIFICATIONS

C612/ES6412 - N31193B

C712/ES7412 - N31194B

ITEM	SPECIFICATION
Dimensions	C612/ES6412: 435 x 547 x 340mm (W x D x H) without duplex unit C712/ES7412: 435 x 547 x 389mm (W x D x H) without duplex unit
Weight	C612/ES6412: 26Kg approx. (without duplex unit) C712/ES7412: 27.6Kg approx. (without duplex unit)
Power supply	220 to 240VAC @ 50/60 Hz ± 2%
Power consumption	Operating: 1300 max.; 600W av. (25°C) Standby: 100W av. (25°C) Power save mode: less than 15W Sleep mode: less than 1.2W Off mode: less than 0.5W
Operating environment	Operating 10 to 32 °C/20 to 80% RH (optimum 25 °C wet, 2 °C dry) Off: 0 to 43 °C/10 to 90% RH (optimum 26.8 °C wet, 2 °C dry)
Print environment	30 to 73% RH @ 10 °C; 30 to 54% RH @ 32 °C 10 to 32 °C @ 30% RH; 10 to 27 °C @ 80% RH Colour 17 to 27 °C @ 50 to 0% RH
Noise (Sound pressure level)	Operating: 68dB(A) Standby: 37dB(A)

INDEX

B

- Belt
how to replace 59

C

- Cleaning
the LED head 63
the paper feed rollers 64
the unit casing 63

D

- Duplex
how to install 65
paper size and weight
limits 17

E

- Envelopes
loading 21

F

- Fuser
how to replace 61

I

- Image drum
how to replace 56

M

- Maintenance menu 51
- Major printer components
and paper path 80
- Menu functions 23
- Menus
factory default settings 24
how to use 23
- Multi purpose tray
how to use 21
paper metrics 16

O

- Operator Panel 23

P

- Paper
jam clearing 80
jam, error codes 81
loading cassette trays 18
loading letterhead 19
recommended types 15
supported sheet sizes 16
- Printer overview 10

S

- SD Card
how to install 69

T

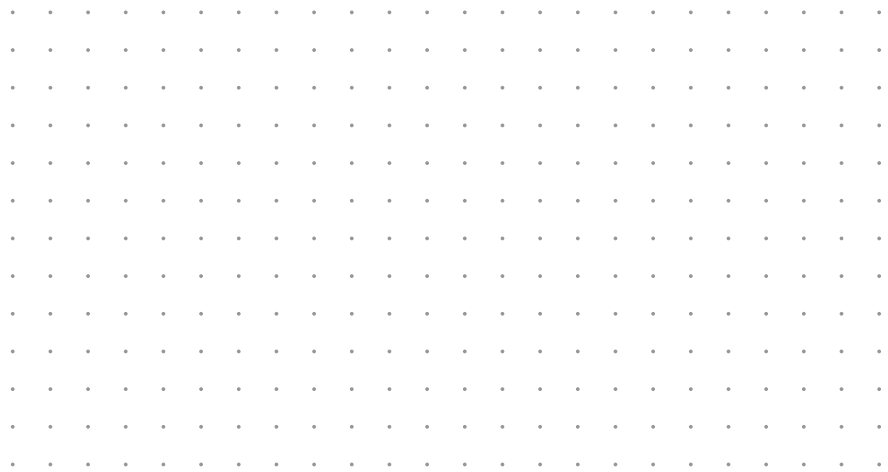
- Toner
how to replace 53

U

- Upgrades
additional paper tray(s) 78
duplex 65
memory 66
SD card 69
storage cabinet 79

CONTACT US

Italia	www.oki.com/it
Français	www.oki.com/fr
Deutschland	www.oki.com/de
United Kingdom	www.oki.com/uk
Ireland	www.oki.com/ie
España	www.oki.com/es
Portuguesa	www.oki.com/pt
Sverige	www.oki.com/se
Danmark	www.oki.com/dk
Norge	www.oki.com/no
Suomi	www.oki.com/fi
Nederland	www.oki.com/nl
België/Belgique	www.oki.com/be
Österreich	www.oki.com/at
Schweiz/Suisse/Svizzera	www.oki.com/ch
Polska	www.oki.com/pl
Česká	www.oki.com/cz
Slovenská	www.oki.com/sk
Magyarország	www.oki.com/hu
Россия	www.oki.com/ru
Україна	www.oki.com/ua
Türkiye'ye	www.oki.com/tr
Serbia	www.oki.com/rs
Croatia	www.oki.com/hr
Greece	www.oki.com/gr
Romania	www.oki.com/ro
OKI Europe	www.oki.com/eu
Singapore	www.oki.com/sg/
Malaysia	www.oki.com/my/
ประเทศไทย	www.oki.com/th/printing/
Australia	www.oki.com/au/
New Zealand	www.oki.com/nz/
United States	www.oki.com/us/
Canada	www.oki.com/ca/
Brasil	www.oki.com/br/printing
México	www.oki.com/mx/
Argentina	www.oki.com/la/
Colombia	www.oki.com/la/
Other countries	www.oki.com/printing/



Oki Electric Industry Co., Ltd.
1-7-12 Toranomom, Minato-ku,
Tokyo, 105-8460, Japan