

OKI

PT340/341

User's Guide

PREFACE

Every effort has been made to ensure that the information in this document is complete, accurate, and up-to-date. The manufacturer assumes no responsibility for the results of errors beyond its control. The manufacturer also cannot guarantee that changes in software and equipment made by other manufacturers and referred to in this manual will not affect the applicability of the information in it. Mention of software products manufactured by other companies does not necessarily constitute endorsement by the manufacturer.

While all reasonable efforts have been made to make this document as accurate and helpful as possible, we make no warranty of any kind, expressed or implied, as to the accuracy or completeness of the information contained herein.

All rights are reserved by Oki Data Corporation. Unauthorized copying, transferring, translating, or related actions are prohibited. You must obtain written permission from Oki Data Corporation before doing any of the above.

© 2013 Oki Data Corporation

OKI is a registered trademark of Oki Electric Industry Co., Ltd.

Energy Star is a trademark of the United States Environmental Protection Agency.

Microsoft, Windows, Windows Server and Windows Vista are registered trademarks of Microsoft Corporation.

Apple, Macintosh, Rosetta, Mac and Mac OS are registered trademarks of Apple Inc.

Other product names and brand names are registered trademarks or trademarks of their proprietors.



As an Energy Star Program Participant, the manufacturer has determined that this product meets the Energy Star guidelines for energy efficiency.



This product complies with the requirements of the Council Directives 2014/30/EU (EMC) and 2014/35/EU (LVD), 2014/53/EU (RED) and 2011/65/EU (RoHS) as amended where applicable, on the approximation of the laws of the member states relating to Electromagnetic Compatibility, Low Voltage, Radio & Telecommunications Terminal Equipment, Energy related Products and Restriction on the use of certain Hazardous Substances in electrical and electronic equipment.

The following cables were used to evaluate this product to achieve EMC directive 2014/30/EU compliance and configurations other than this may affect that compliance.

CABLE TYPE	LENGTH (METRE)	CORE	SHIELD
Power	2.0	✘	✘
USB	5.0	✘	✓
Serial (25pin)	15.0	✘	✓
Serial (9pin)	15.0	✘	✓
LAN	5.0	✘	✘
Drawer	1.8	✘	✘

WARNING! This is a class A product as defined in EN55022. In a domestic environment this product may cause radio interference, in which case the user may be required to take adequate measures.

MANUFACTURER

Oki Data Corporation,
4-11-22 Shibaura, Minato-ku,
Tokyo 108-8551,
Japan

For all sales, support and general enquiries contact your local distributor.

IMPORTER TO THE EU/AUTHORISED REPRESENTATIVE

OKI Europe Limited (trading as OKI Printing Solutions)

Blays House
Wick Road
Egham
Surrey, TW20 0HJ
United Kingdom

For all sales, support and general enquiries contact your local distributor.

ENVIRONMENTAL INFORMATION



About the open source software used by the "PT340/PT341"

The "PT340/PT341" uses open source software licensed under the GNU GPL, LGPL, BSD License, and similar licenses.

The full text of the licenses that apply to this software is stored in the following folder.

Drive name : \Manual

License.txt

Description of Safety symbols displayed on the equipment







No.	Symbol	Description
1		"ON" (power) To indicate connection to the mains, at least for mains switches or their positions.
2		Stand-by To identify the switch or switch position by means of which part of the equipment is switched on in order to bring it into the stand-by condition.
3		General warning/caution To identify a general warning/caution.
4		Caution, hot surface To indicate that the marked item can be hot and should not be touched without taking care.
5		Direct current To indicate on the rating plate that the equipment is suitable for direct current only; to identify relevant terminals.
6		Alternating current To indicate on the rating plate that the equipment is suitable for alternating current only; to identify relevant terminals.

Table of Contents

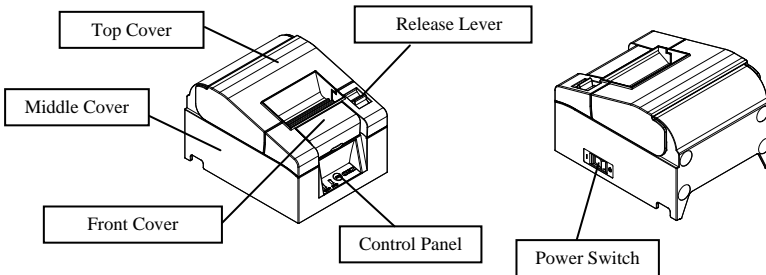
1. Appearance and Name of Components	5
1-1. Names of Components.....	5
1-2. Package Contents.....	6
2. AC Adapter	7
3. Paper Specifications	8
3-1. Paper Width	8
3-2. Paper Thickness	8
3-3. Paper Roll	8
3-4. Recommended Thermal Paper	9
4. Preparation	10
4-1. Connecting the Interface Cable (to the printer)	11
4-2. Connecting the Interface Cable (to the PC).....	13
4-3. Connecting the Drawer Kick Cable	15
4-4. Connecting the AC Adapter and Cable.....	16
4-5. Removing the AC Adapter	19
4-6. Installing the Printer.....	20
4-7. Power On.....	24
4-8. Installing the Printer Software	25
5. Inserting Paper	26
5-1. Opening the Top Cover	26
5-2. Paper Width Setting (Width: 58mm / 80mm).....	28
5-3. Setting the Paper	30
5-4. Closing the Top Cover.....	32
6. Control Panel	33
6-1. Control Panel.....	33
6-2. Error Indications	34
7. Paper Jam Prevention and Removal	36
7-1. Paper Jam Prevention	36
7-2. Paper Jam Removal.....	36
7-3. If the Top Cover Does Not Open	37
8. Troubleshooting	40
8-1. Problems at Power-on and Other Errors	40
8-2. Cutter Problems	40
8-3. Printing Problems	41
9. Special Mode (Test Print, Setup Menu...)	42
9-1. Test Print.....	42
9-2. Changing the Setup	44
9-3. Setup Settings	54
9-4. LAN Setup Settings (Printer with triple interface model).....	60

9-5. HEX Dump	63
9-6. Command Trace	64
9-7. Sample Print	65
10. Regular Cleaning	70
10-1. Cleaning Paper Holder and Paper Transport	70
10-2. Cleaning the Platen Roller	71
10-3. Cleaning the Thermal Head	72
11. Interface	73
11-1. Serial Interface	73
11-2. USB Interface	76
11-3. LAN Interface	76
11-4. Drawer Kick Connector	77
11-5. Power Specifications	79
12. Specifications	80
12-1. General Specifications	80
12-2. Cutter Specifications	83
12-3. Paper Roll Supply Specifications	83
12-4. Interface Specifications	83
12-5. Environment Specifications	84
12-6. Reliability Specifications	85
13. Usage Precautions	86
13-1. Paper Related Precautions	86
13-2. Cutter Related Precautions	87
13-3. Barcode/2D Code Printing Precautions	87
13-4. USB Interface Usage Precautions	88
13-5. LAN Interface Usage Precautions	88
13-6. Installation Precautions	89
13-7. Modular Type Connector Usage Precautions	89

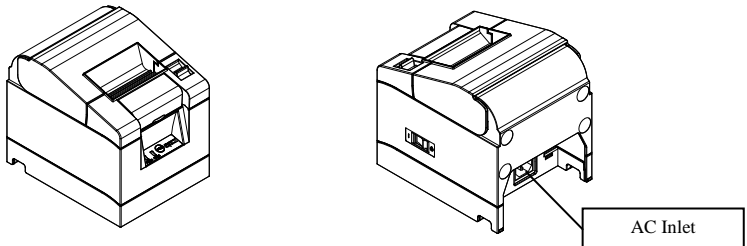
1. Appearance and Name of Components

1-1. Names of Components

Standard Model

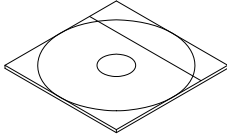


Built-in Power Supply Model

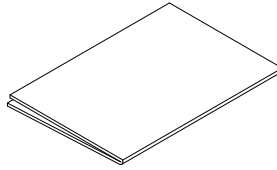


- Top Cover
Opens to replace paper.
- Release Lever
Used for opening the top cover.
- Power Switch
Turns the printer power ON/OFF.
- Control Panel
Contains switches for operating the printer and LEDs that indicate the printer status.
- Front Cover
This can be removed in case of cutter jam or when the top cover does not open.
- AC Inlet
Plug in the AC power supply cable here.

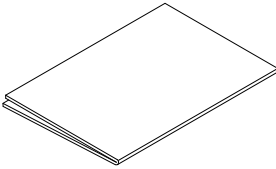
1-2. Package Contents



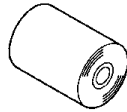
CD



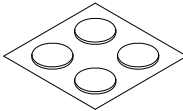
Instruction sheet



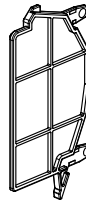
Safety warranty sheet



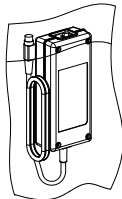
Thermal Paper



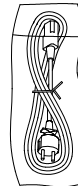
Rubber Feet
(For vertical installation)



58mm Width Separator



AC Adapter
(Standard Model)



Power cable

2. AC Adapter

Only use the AC adapter specified below.

Item	No.	Remarks
AC Adapter	KA02951-0120	Input : 100 to 240V AC, 50-60Hz Output : 24V \pm 5%, 1.5A

⚠ Caution: Only use authorized AC adapters.

⚠ Caution: Do not use any other bundled AC adapter other than designed for this printer.

3. Paper Specifications

Only use the thermal paper roll specified below.

3-1. Paper Width

- 80mm paper $80mm_{-1.0}^0$
- 58mm paper $58mm_{-1.0}^0$

3-2. Paper Thickness

- 65 - 85 μ m

3-3. Paper Roll

- Outside diameter: $\phi 83$ mm or less
- Core diameter: $\phi 12 \pm 0.5$ mm (inside) / $\phi 18 \pm 0.5$ mm (outside)
- Printing surface: outer surface of the roll
- Treatment of end of paper: The roll paper must not be glued to the core. The end of the paper must also not be folded back.

⚠ Caution: Do not use rolls that have rough sides or sides from which pieces of paper extrude. Such paper may cause unstable paper feeding, resulting in printer trouble.

3-4. Recommended Thermal Paper

Manufacturer	Product Name	Quality Characteristic	Paper Thickness	Density
Oji Paper Co., Ltd.	PD160R	Monochrome thermal paper (high-grade preservation type)	75μm	100%
	PD190R	Monochrome thermal paper (mid-grade preservation type)	75μm	100%
Nippon Paper Industries Co., Ltd.	TF60KS-E	Monochrome thermal paper (normal type)	75μm	100%
	TP60KS-F1	Monochrome thermal paper (mid-grade preservation type)	75μm	100%
	TF50KS-E	Monochrome thermal paper (normal type)	65μm	100%
	TF62KS-E	Monochrome thermal paper (normal type)	85μm	100%

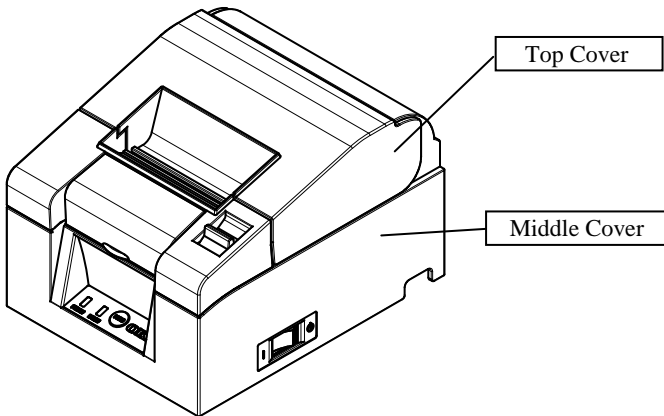
⚠ Caution: Using non-recommended paper may cause printer head damage, bad printing quality, etc.

4. Preparation

No printer cable is provided with the product. Obtain a printer cable suitable for the product interface. If you have any question, consult your dealer. Before connecting or disconnecting cables, make sure of the following:

- (1) The power to the printer and all other devices connected to the printer is turned off.
- (2) The AC adapter power cable has been unplugged from the outlet.

⚠ Caution: When connecting cables or moving the printer, hold the middle part of the printer cover on both sides. Holding the top cover may cause it to open.



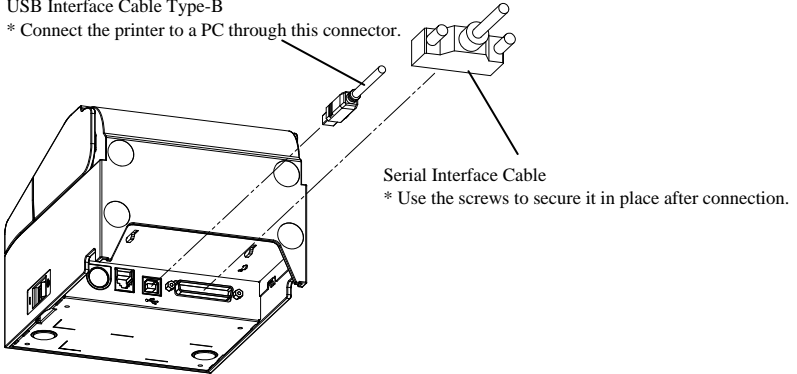
4-1. Connecting the Interface Cable (to the printer)

4-1-1 Printers with serial and USB interfaces

Standard Model

USB Interface Cable Type-B

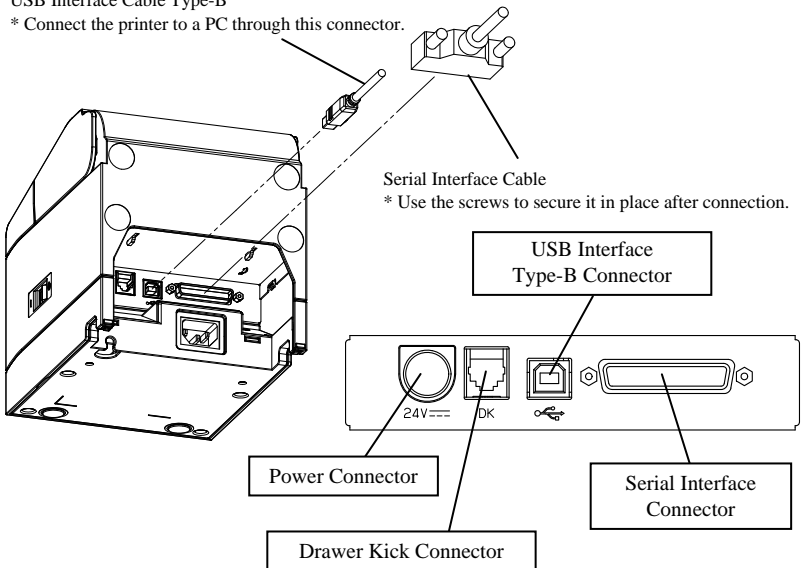
* Connect the printer to a PC through this connector.



Built-in Power Supply Model

USB Interface Cable Type-B

* Connect the printer to a PC through this connector.



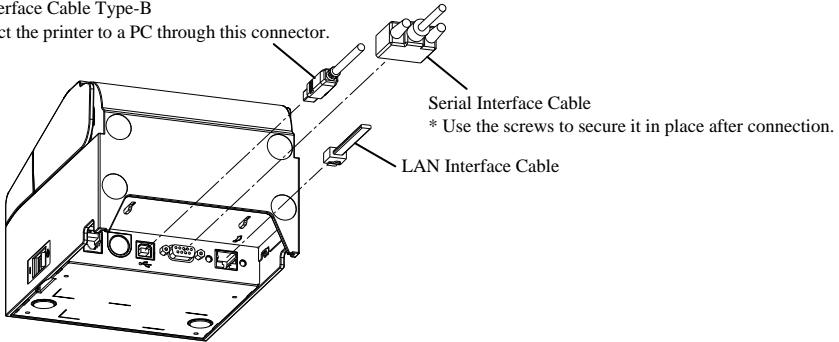
⚠ Caution: Do not connect both the serial and USB interfaces at the same time.

4-1-2 Printers with serial, USB and LAN interfaces

Standard Model

USB Interface Cable Type-B

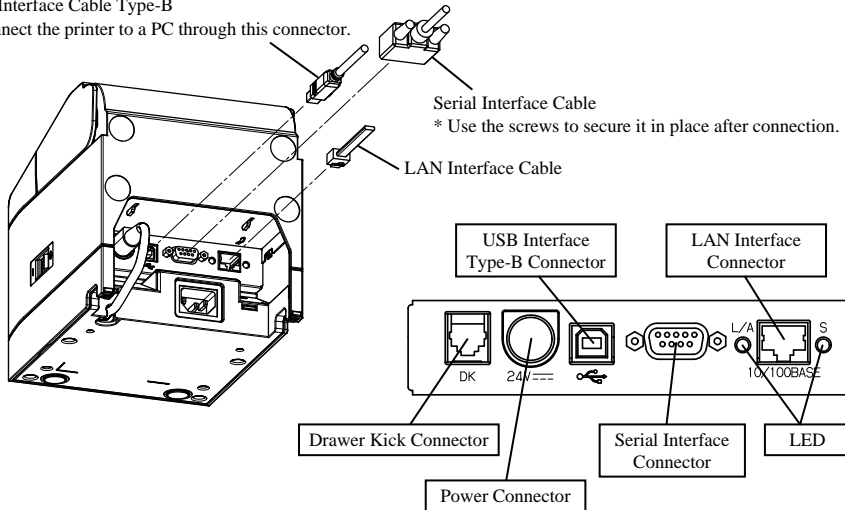
* Connect the printer to a PC through this connector.



Built-in Power Supply Model

USB Interface Cable Type-B

* Connect the printer to a PC through this connector.

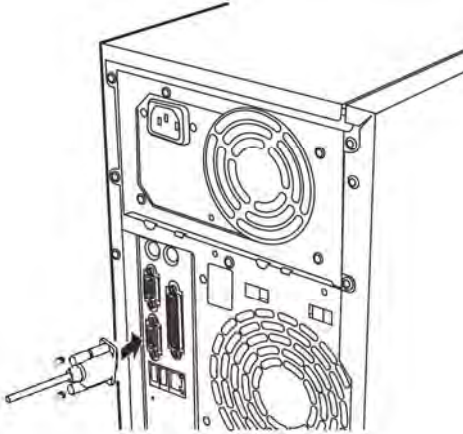


- ⚠ **Caution:** Do not connect the multiple interfaces at the same time.
- ⚠ **Caution:** While this printer supports 3 different interfaces, it is set to LAN Settings at time of shipment, so if you intend on using the USB or serial interfaces, please make sure to change settings prior to use. For more details on how to change setup settings, please refer to "9-4. LAN Setup Settings".

4-2. Connecting the Interface Cable (to the PC)

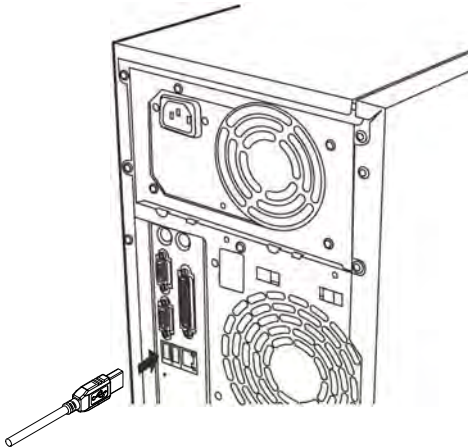
4-2-1 Serial Interface

- (1) Connect the connector of serial interface cable to the serial port on the computer as shown in the figure.



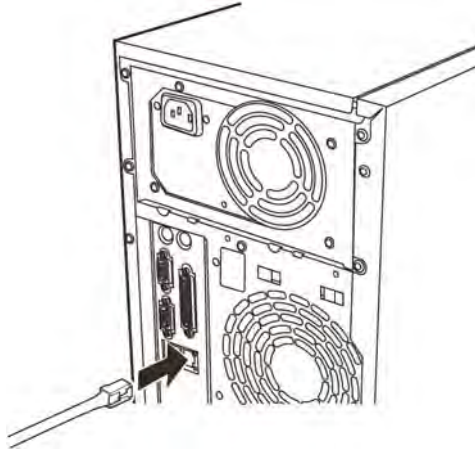
4-2-2 USB Interface

- (1) Connect the connector of USB interface cable to the USB port on the computer as shown in the figure.



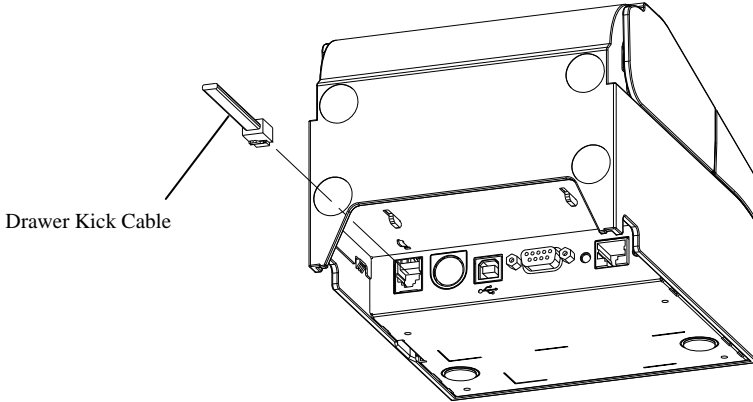
4-2-3 LAN Interface

- (1) Connect the connector of LAN interface cable to the LAN port on the computer as shown in the figure.

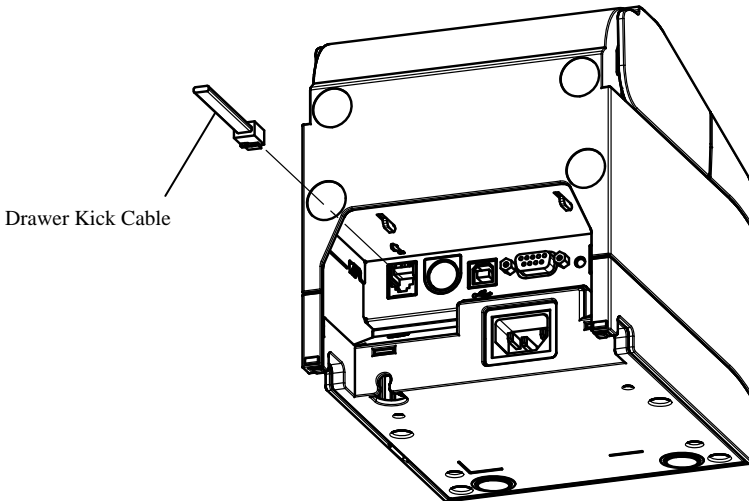


4-3. Connecting the Drawer Kick Cable

Standard Model



Built-in Power Supply Model

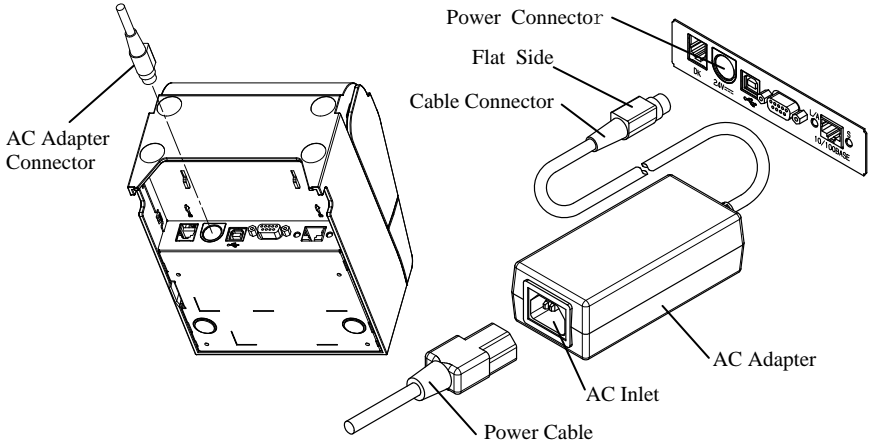


⚠ Caution: This product uses a special-purpose modular connector for the cash drawer. Do not attempt to use other types of connectors such as public telephone connectors.

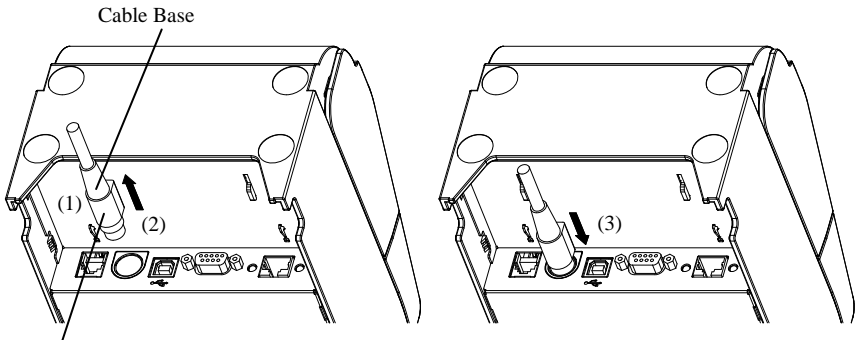
4-4. Connecting the AC Adapter and Cable

Standard Model

- (1) Connect the cable connector of the AC adapter to the power connector.

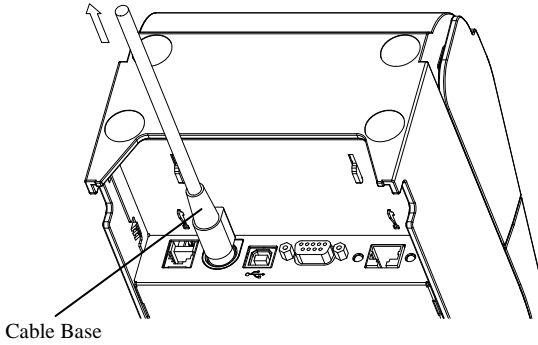


- ⚠ **Caution:** Before connecting the AC adapter, turn off the power switches on the printer and all the devices connected to the printer. Also, remove the plug of the AC adapter power cable from the outlet.
- ⚠ **Caution:** Use the specified AC adapters.
- ⚠ **Caution:** Perform the adapter connection with the device placed vertically for easy operation.
- ⚠ **Caution:** As the connector is clipped in place after insertion in order to prevent it from falling off, when performing insertion, (1) grip the cable base with one hand, (2) slide the outer part of the connector upwards with the other hand (3) and push in until it locks into place.

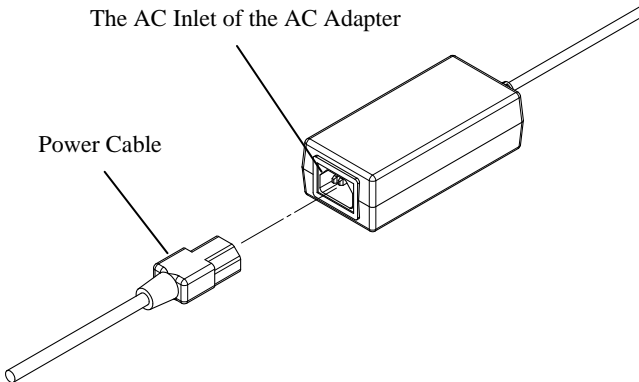


The Outer Section of the Connector

- (2) Confirm that the cable is locked in place by gently pulling on the cable base after connection.



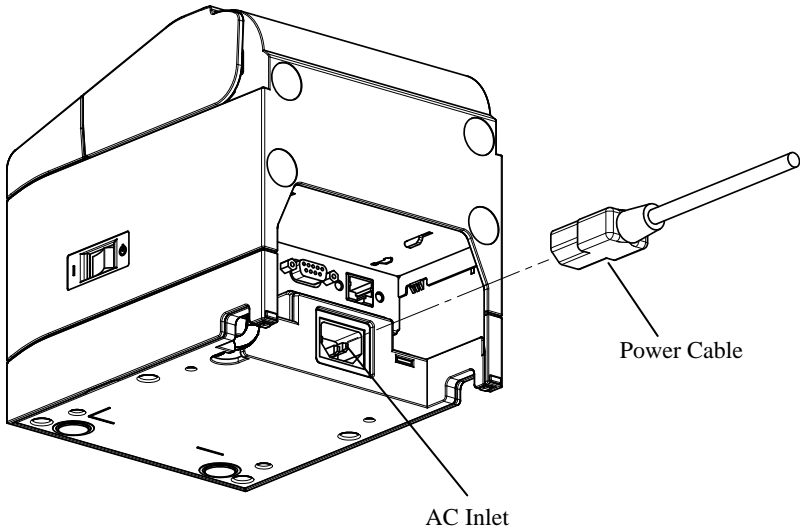
- (3) Connect the power connector to the AC inlet of the AC adapter.



- (4) Insert the plug of the power cable into the outlet.

Built-in Power Supply Model

- (1) Connect the power connector to the AC inlet.

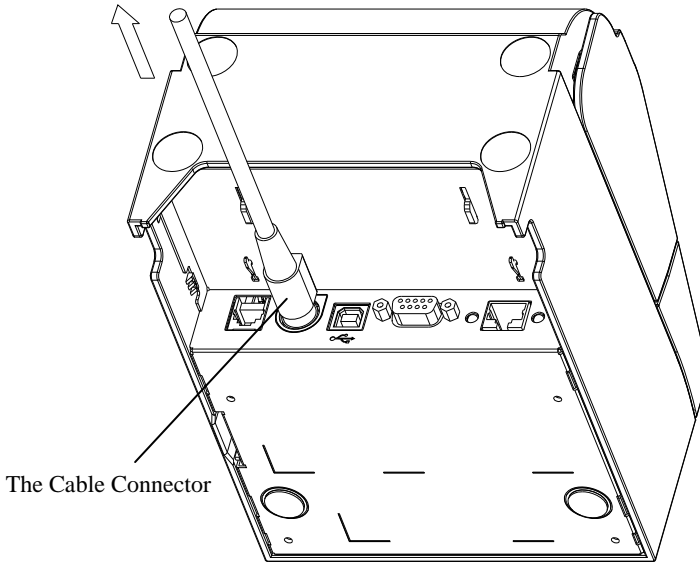


- ⚠ Caution:** Before connecting the power cable, turn off the power switches on the printer and all the devices connected to the printer. Also, remove the plug of the power cable from the outlet.
- ⚠ Caution:** Perform power cable connection with the device placed vertically for easy operation.
- ⚠ Caution:** If the device is installed vertically, use a right-angled power cable.

- (2) Insert the plug of the power cable into the outlet.

4-5. Removing the AC Adapter

To remove the cable of the AC adapter, pull it while gripping the connector section on the cable side as shown in the following figure. The lock is released, making it easy to remove. Forcibly pulling the cable will damage the connector section.



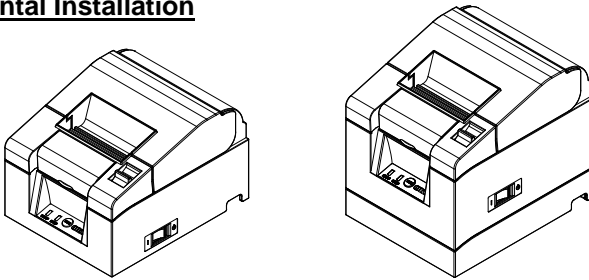
- ⚠ Caution:** Before removing the AC adapter, turn off the power switches on the printer and all the devices connected to the printer. Also, remove the plug of the AC adapter power cable from the outlet.
- ⚠ Caution:** Perform adapter removal with the device placed vertically for easy operation.

4-6. Installing the Printer

Both horizontal installation (the paper exit is on the topside) and vertical installation (the paper exit is on the front side) orientations are available. In the case of vertical installation, attaching the optional splash-proof cover can protect the printer from water.

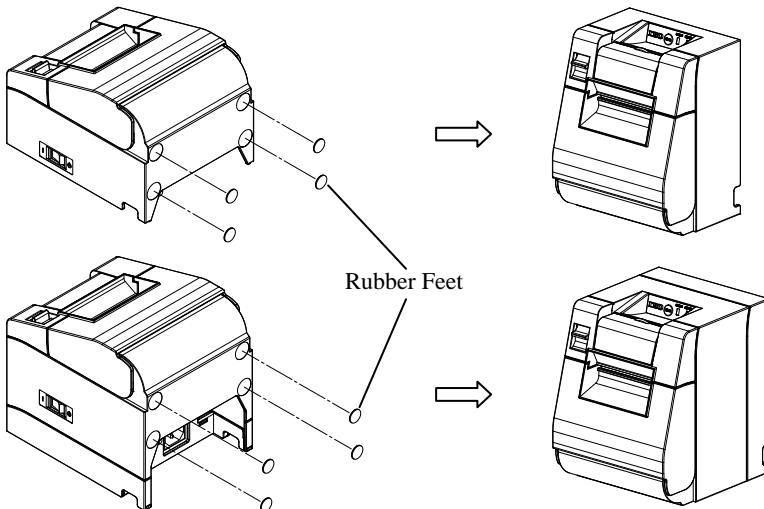
The printer can also be fixed to the wall by using the optional wall-hanging bracket.

Horizontal Installation



Vertical Installation

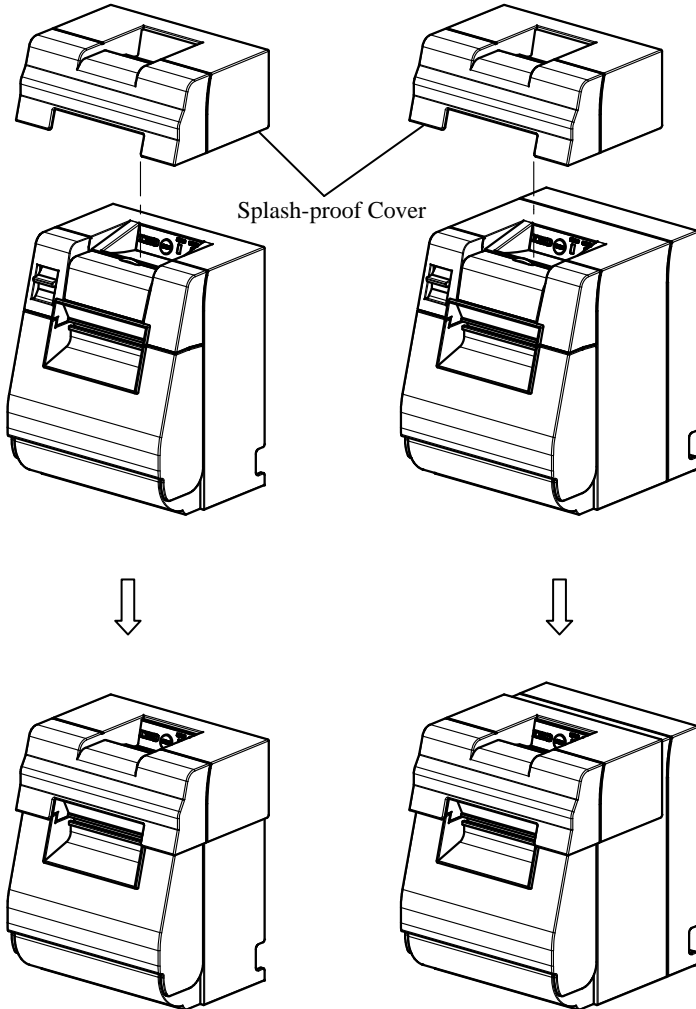
If the printer is installed vertically, stick the rubber feet (included in the package) into the round indents on the printer rear cover.



⚠ Caution: Before sticking on the rubber feet, wipe off any dirt inside the indents.

Splash-proof Cover (Optional)

Mount the splash-proof cover at the top when the printer is installed vertically.

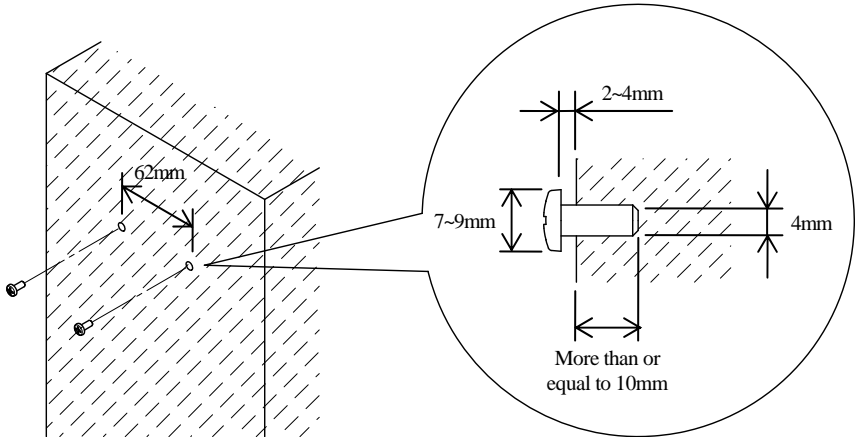


⚠ Caution: The splash-proof cover is used only for vertical installation.

Wall Hanging Bracket (Optional)

To fix the printer to a wall, follow the procedures below:

- (1) Mount two metal screws (thread diameter: $\Phi 4$, head diameter: $\Phi 7$) on the wall, spaced 62mm apart in a horizontal line, such that the length of each screw entering the wall is at least 10mm and the length protruding outside is 2-4mm.



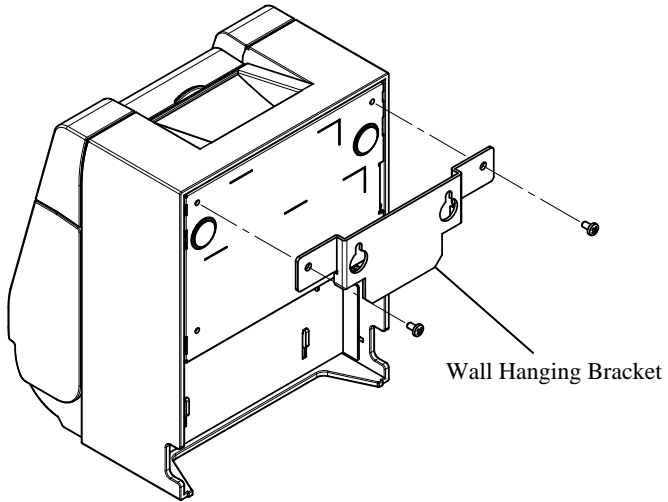
⚠ Caution: In order to firmly fix the printer, mount the wall hanging bracket onto a wooden, concrete or metal wall. It is recommended that the wall thickness should be 10mm or more.

Use metal screws.

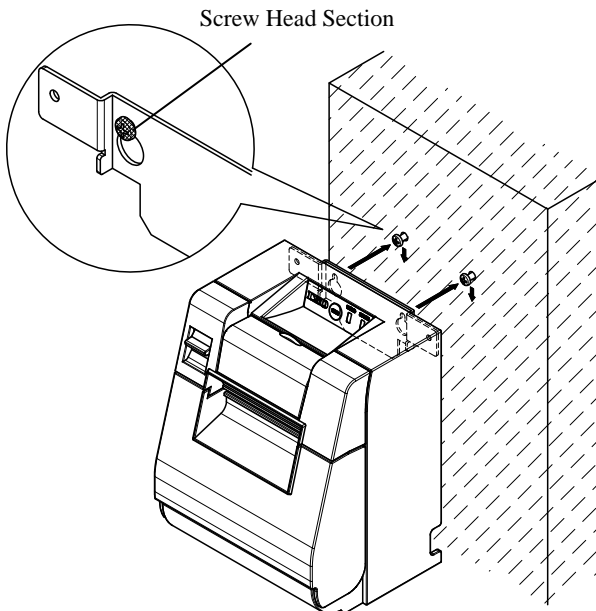
The screws mounted on the wall are required to have a pull-out strength of 150N (15.3kgf) or more.

⚠ Caution: The wall hanging bracket can be used only for printers that use an external AC adapter (Standard Model).

- (2) Attach the wall hanging bracket to the printer and fix it securely with the enclosed screws.



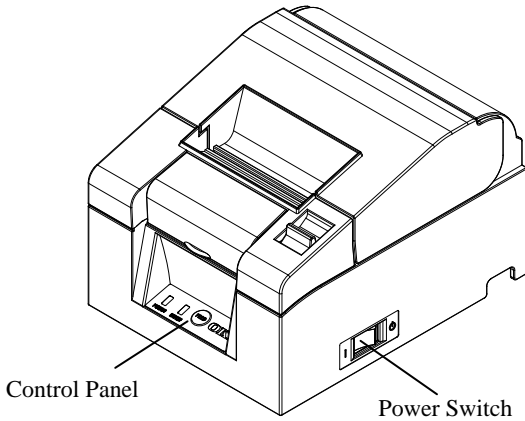
- (3) Align the holes of the wall hanging bracket with the screws mounted to the wall and hang the printer securely.



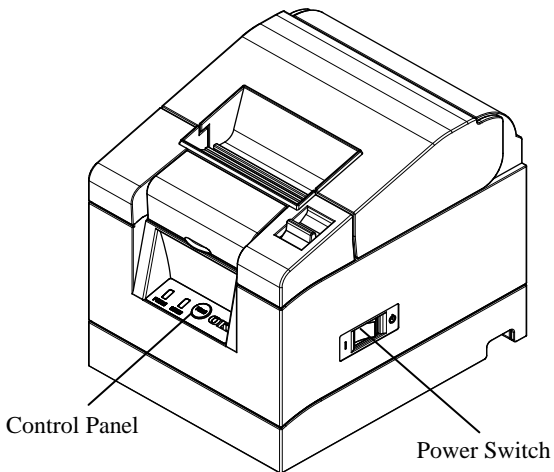
4-7. Power On

- (1) Connect to the power cable according to 4-4 above.
- (2) Turn on the power switch at the side of the printer.
After turning the power on, the POWER LED on the control panel will light up.

Standard Model



Built-in Power Supply Model



4-8. Installing the Printer Software

Refer to the "Installation Guide"(*1) in the enclosed CD for instructions on installing the printer driver and utility software.

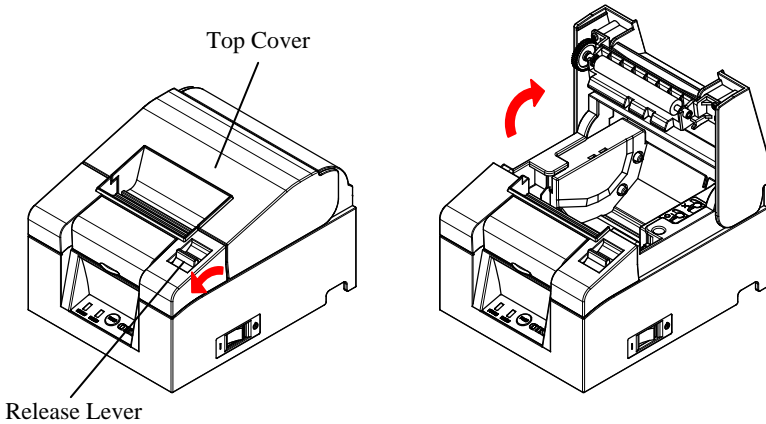
*1: \Manuals\PT340-341_InstallGuide_en.pdf

The "Installation Guide" can also be viewed by loading the CD in your PC's CD drive and selecting "Manuals" on the "Setup" screen that appears.

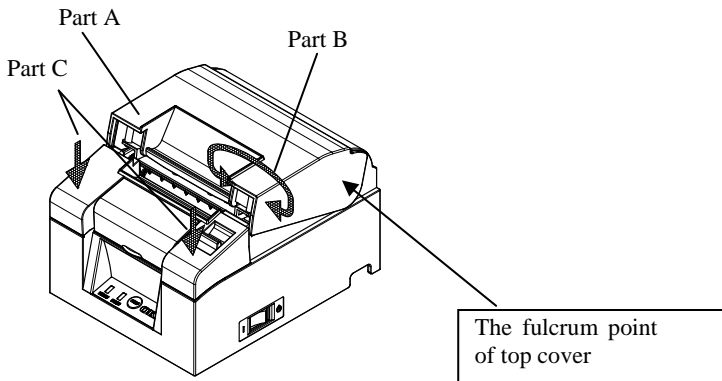
5. Inserting Paper

5-1. Opening the Top Cover

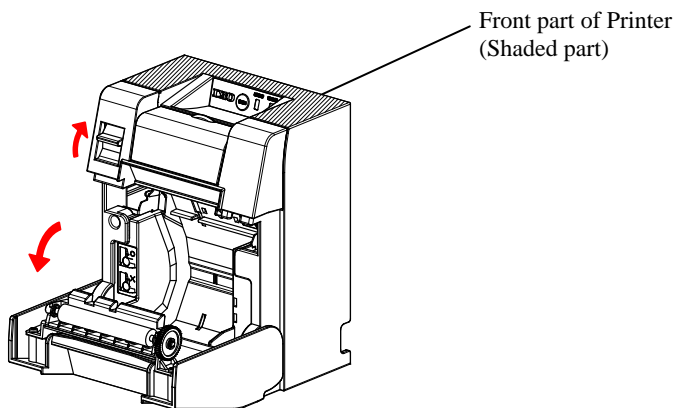
- (1) Pull the release lever in the direction of the arrow, and then open the top cover.



⚠ Caution: Lift the cover until it is vertical so that it will stay open.



⚠ Caution: To open the cover, use either side of part C to hold the printer steady and use part A or part B to lift the cover. To prevent your fingers being pinched, please do not touch the area around the top cover hinge.



⚠ Caution: When using printer vertically, steady the front part of the printer (shaded part in the above picture) to open the top cover.

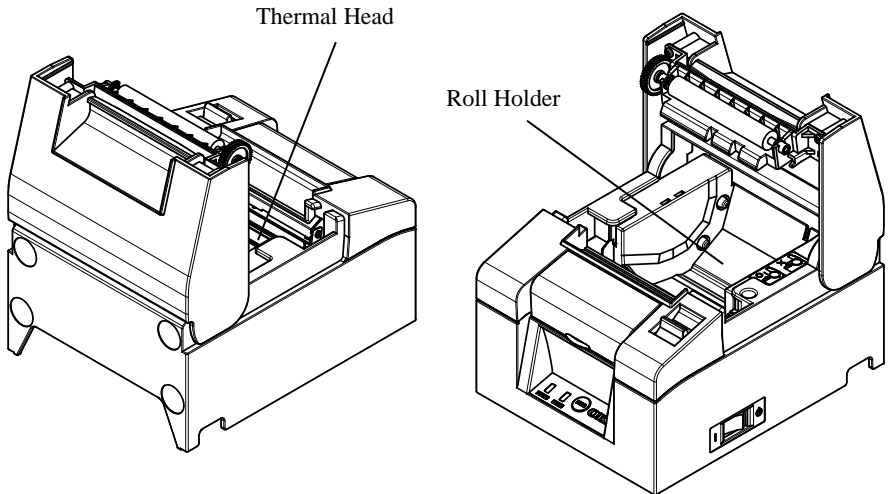
5-2. Paper Width Setting (Width: 58mm / 80mm)

As the factory setting for paper width is 80mm, follow the instructions in "5-3. Setting the Paper" to set the paper roll when using 80mm paper.

When using 58mm paper, first attach the separator in accordance with the instructions in "5-2-1. Attaching the Separator" and then set the paper roll.

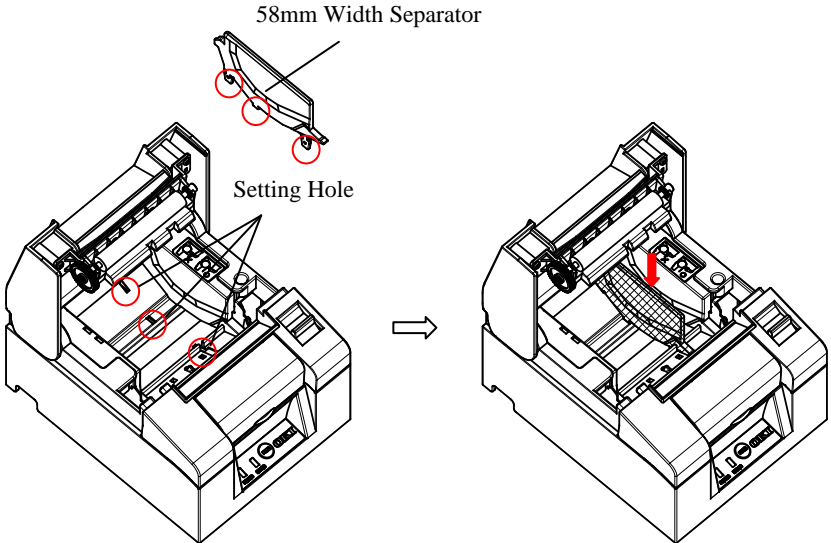
Also, follow the instructions in "9-2. Changing the Setup" to set the "Paper Width" in the printer setup to "58mm/35columns" or "58mm/32columns".

- ⚠ Caution:** Do not switch from the 58mm width paper to 80mm width paper when printing is in progress. When using narrow-width paper, a part of the thermal head may directly come in contact with the platen roller without any paper present. This causes the head to wear down, resulting in poor printing quality. In addition, as the cutter blade also works on sections without paper, the cutter blade may wear down, resulting in a bad cut.
- ⚠ Caution:** As the thermal head may be damaged by static electricity, do not touch the thermal head except for cleaning.



5-2-1 Attaching the Separator

- (1) Align the three lugs of the supplied 58mm width separator with the corresponding holes on the printer body, then push it into place.



- ⚠ **Caution:** Push the plate until it locks with a clicking sound and confirm that the top side of the separator is horizontal.
- ⚠ **Caution:** When moving the separator follow the instructions in the Special Mode section to set the paper width and align it with the printing area.
(Refer to 9 Special Mode: 9-2. Changing the Setup.)

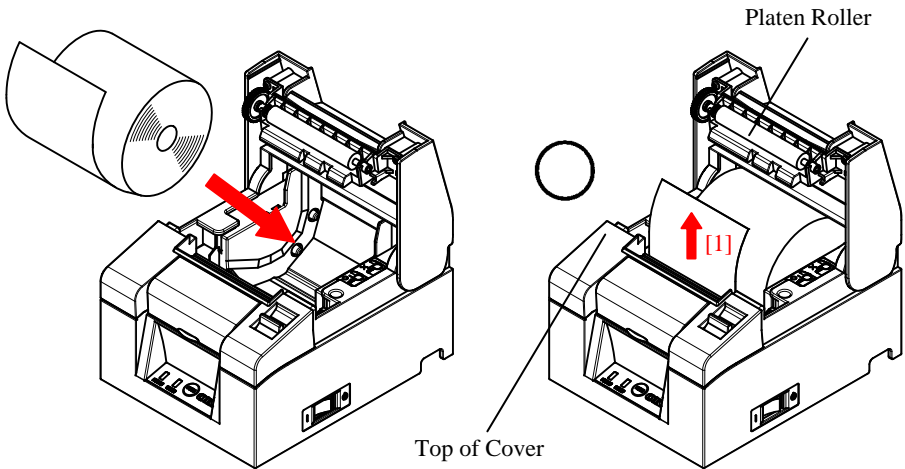
5-3. Setting the Paper

- (1) In the case of a new roll of paper, remove the glued portion and tape on the paper roll.

When replacing the roll paper, first remove the old paper core.

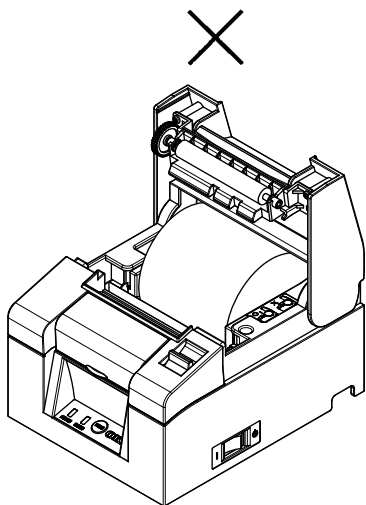
⚠ Caution: Since the glued portion of the paper should not be printed on, remove about one turn (about 30 cm) of the roll paper from the beginning so that none of the remaining paper has glue on it. Any adhesive or other matter remaining from the glue may adhere to the thermal head and cause a problem, such as voids on printouts. Therefore, do not forget to remove the glued portion of the paper.

- (2) After inserting the new roll of paper with the orientation shown, pull the end of the paper in the direction indicated by the arrow [1].

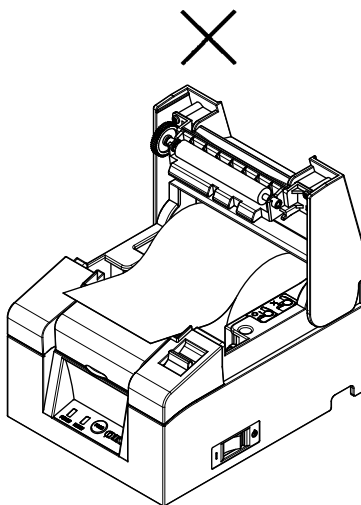


- ⚠ Caution:** Pull the end of the paper so that it passes over the top of the cover.
- ⚠ Caution:** Do not damage or dent the platen roller. Dents on the platen roller will cause gaps in the printing and/or line feed failure.

⚠ Caution: Setting the paper as shown in the following figures may cause paper or printing jams.

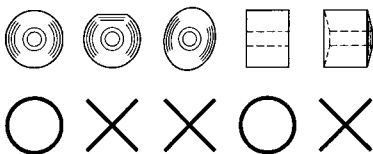


The paper does not pass over the top of the cover.



The paper has been set incorrectly.

⚠ Caution: Do not use deformed roll paper. Using rolls such as those shown below may cause trouble such as paper or printing jams.

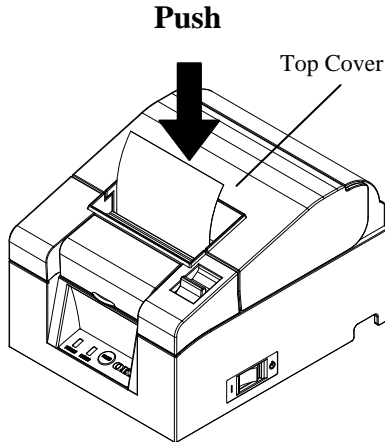


⚠ Caution: If the roll paper is loose (slack) as shown below, remove the slack before using the roll. Using without removing the slack may cause paper or printing jams, or result in failure to detect the paper near end condition.

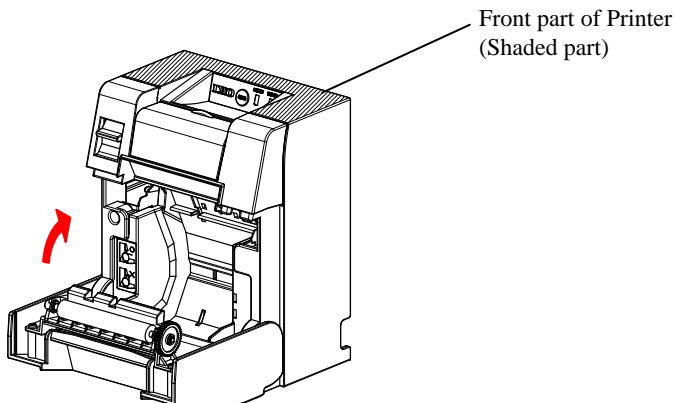


5-4. Closing the Top Cover

Set the paper correctly and carefully close the top cover.



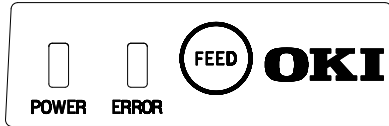
- ⚠ **Caution:** Set the paper correctly. Closing the top cover while the paper is skewed may cause a paper jam or messy printing.
- ⚠ **Caution:** When closing the top cover, close it securely by pressing around the central position (shown by the arrow in the figure) until you hear a clicking sound. If the cover has not locked into place, the printer may not function.



- ⚠ **Caution:** When the printer is mounted vertically, use the front of the printer (shaded part in the above picture) to hold it steady when opening the top cover.

6. Control Panel

6-1. Control Panel



POWER LED(●)

If the power switch is turned on and the printer is supplied with power, this LED will light up.

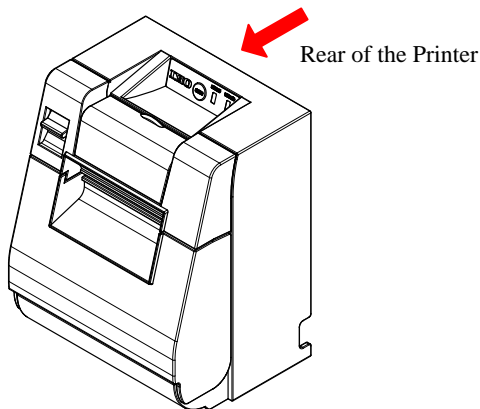
ERROR LED(●)

This LED lights up or blinks to indicate an error.

FEED Button

Pressing this button once causes the printer to feed the paper by an amount equivalent to one line.

Holding it down feeds the paper continuously.


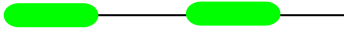


⚠ Caution: When the printer is mounted vertically, always hold the rear of the printer when you press the FEED button to keep the printer steady and prevent it from falling over.

6-2. Error Indications

Recoverable errors

Error State	LED Lamp	Blinking Pattern
No paper Paper end	POWER (●)	Constantly on
	ERROR (●)	Constantly on
Cover open	POWER (●)	Constantly on
	ERROR (●)	Constantly on
Cutter jam	POWER (●)	Constantly on
	ERROR (●)	Constantly on

Error State	LED Lamp	Blinking Pattern
Paper near end	POWER (●)	Constantly on
	ERROR (●)	
Head hot	POWER (●)	
	ERROR (●)	● Remains unchanged.

Unrecoverable errors

Error State	LED Lamp	Blinking Pattern
Internal error	POWER(●)	—●—●—
	ERROR(●)	●————
		Repetition of two blinks of the ● lamp and one blink of the ● lamp
Head not installed	POWER(●)	—●—●—●—
	ERROR(●)	●————
		Repetition of three blinks of the ● lamp and one blink of the ● lamp
Low voltage	POWER(●)	—●—●—●—●—
	ERROR(●)	●————
		Repetition of four blinks of the ● lamp and one blink of the ● lamp
Over voltage	POWER(●)	—●—●—●—●—●—
	ERROR(●)	●————
		Repetition of five blinks of the ● lamp and one blink of the ● lamp
Watchdog timer error	POWER(●)	—●—●—●—●—●—●—●—
	ERROR(●)	●————
		Repetition of eight blinks of the ● lamp and one blink of the ● lamp
SPI Flash ROM error	POWER(●)	—●—●—●—●—●—●—●— —●—
	ERROR(●)	●———— ————
		Repetition of nine blinks of the ● lamp and one blink of the ● lamp

7. Paper Jam Prevention and Removal

7-1. Paper Jam Prevention

Do not touch the paper while it is coming out or before cutting is complete. Pressing or pulling the paper with your hand while it is coming out may cause a paper jam, bad cut, or bad line feed.

7-2. Paper Jam Removal

In case of a paper jam, remove the paper as follows:

(1) Turn off the power switch to disconnect the printer from the power.

(2) Pull the release lever towards you, and then open the top cover.

If the top cover does not open, refer to the instructions in "7-3. If the Top Cover Does Not Open" to remove the cutter jam.

(3) Press the printer and remove the jammed paper.

⚠ Caution: When removing paper, remove the paper slowly without pulling it forcibly.

⚠ Caution: As the thermal head may be damaged by static electricity, do not touch the thermal head. Also, do not touch the thermal head as it may still be hot after printing.

(4) Set the paper correctly and carefully close the top cover.

⚠ Caution: Set the paper correctly. Closing the top cover while the paper is skewed may cause a paper jam or messy printing.

⚠ Caution: When closing the top cover, close it securely by pressing around the central position until you hear a clicking sound. If the cover has not locked into place, the printer may not function.

(5) Turn on the power switch. Also, at this time confirm that the ERROR lamp has turned off.

⚠ Caution: As printing data cannot be received while the ERROR lamp is on, firmly close the top cover.

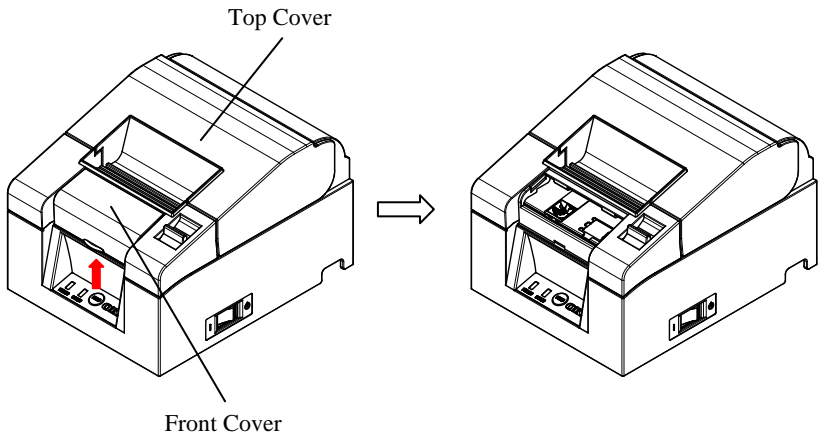
7-3. If the Top Cover Does Not Open

When the printer has stopped with the cutter blade exposed due to some abnormality such as a paper jam, the top cover will not open. In such a case, instead of opening it forcibly, perform the following steps:

- (1) Turn off the power switch to disconnect the printer from the power.
- (2) Turn the power on again. This causes the cutter to operate and may clear the paper jam.
- (3) Pull the release lever toward you to check whether the top cover opens. If so, turn the power off again and follow the instructions from step (6) to clear the paper jam.

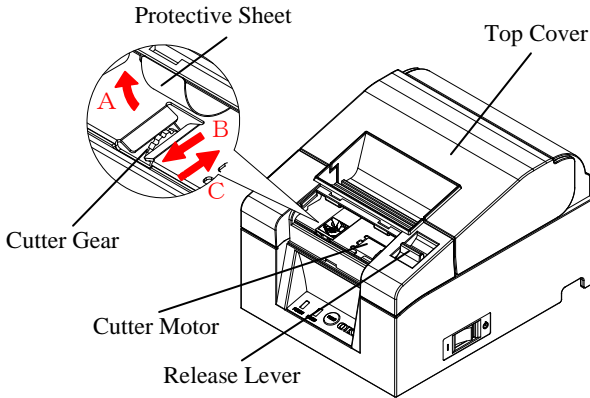
If the top cover still cannot be opened after the power is turned on, turn the power off again and follow the instructions from step (4) to clear the paper jam.

- (4) Remove the front cover by lifting it as shown by the arrow.

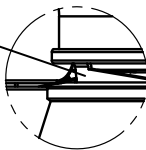


- (5) Lift the protective sheet as indicated by arrow A and rotate the cutter gear in the direction indicated by arrow B while pulling the release lever toward you.

If the auto-cutter blade fails to move despite rotating the cutter gear and the top cover still will not open, pull the release lever toward you and rotate the cutter gear in the opposite direction (indicated by arrow C) until the top cover is able to open.

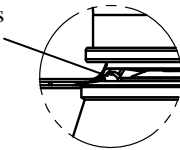


Auto-cutter blade is protruding

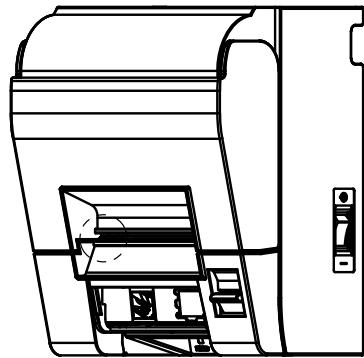


Top cover cannot open

Auto-cutter blade is retracted



Top cover can open



- ⚠ Caution: Do not touch the cutter motor, as it may still be hot after printing.**
- ⚠ Caution: Do not touch the auto cutter, as its blade end is sharp and dangerous.**
- ⚠ Caution: When you cannot open Top Cover with rotating Cutter Gear to either direction, call your service provider.**

(6) Open the top cover and remove the jammed paper while holding the printer steady.

⚠ Caution: When removing paper, remove the paper slowly without pulling it forcibly.

⚠ Caution: As the thermal head may be damaged by static electricity, do not touch the thermal head. Also, do not touch the thermal head as it may still be hot after printing.

(7) Set the paper correctly and carefully close the top cover.

⚠ Caution: Set the paper correctly. Closing the top cover while the paper is skewed may cause a paper jam or messy printing.

⚠ Caution: When closing the top cover, close it securely by pressing around the central position until you hear a clicking sound. If the cover has not locked into place, the printer may not function.

(8) Turn on the power switch. Also, at this time confirm that the ERROR lamp has turned off.

⚠ Caution: As printing data cannot be received while the ERROR lamp is on, firmly close the top cover.

8. Troubleshooting

This section provides solutions for printer malfunctions and print quality problems.

8-1. Problems at Power-on and Other Errors

Symptom	Cause	Solution
Although the power has been turned on, the POWER lamp on the control panel does not light up and the printer does not start.	(1) The power cable is disconnected. (2) The AC adapter is not plugged in.	(1) Connect the power cable. * Refer to 4-4. Connecting the AC Adapter and Cable. (2) Connect the connector of the AC adapter. * Refer to 4-4. Connecting the AC Adapter and Cable.
The ERROR lamp on the control panel lights up and the printer does not work.	(1) There is no paper in the printer (2) The top cover is not completely closed. (3) The thermal head is excessively hot.	(1) Set the paper. * Refer to 5. Inserting Paper. (2) Close the top cover completely. * Refer to 5. Inserting Paper. (3) Wait for the thermal head to cool down.

8-2. Cutter Problems

Symptom	Cause	Solution
The paper is not cut.	(1) The cutter blade is damaged or worn out. (2) Paper fragments or other foreign matter are stuck around the cutter or the sliding section.	(1) Turn off the power and request repair. (2) Remove the paper fragments or other foreign matter.
The cutter does not return to its correct position.	Paper fragments or other foreign matter are stuck around the cutter or the sliding section.	Remove the paper fragments or other foreign matter.

8-3. Printing Problems

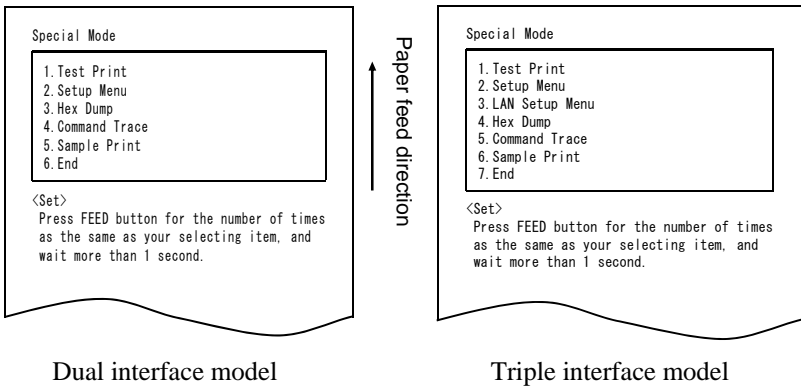
Symptom	Cause	Solution
The printer does not print.	<ul style="list-style-type: none"> (1) The interface cable is disconnected or broken. (2) The printer setup is not correct. 	<ul style="list-style-type: none"> (1) Connect the interface cable correctly, or replace it. * Refer to 4-1. Connecting the Interface Cable (2) Amend the setting. Example: Baud rate mismatch * Refer to 9-2,9-4. Changing the Setup.
Print is too dark or blurred.	<ul style="list-style-type: none"> (1) Print density setting in the printer setup is incorrect. (2) The thermal head is damaged. 	<ul style="list-style-type: none"> (1) Set the printer at the suitable print density and/or print speed for the print paper. * Refer to 9-2. Changing the Setup. (2) Turn off the power and request repair.
Print is too faint.	<ul style="list-style-type: none"> (1) Print density setting in the printer setup is incorrect. (2) The thermal head is damaged. 	<ul style="list-style-type: none"> (1) Set the printer at the suitable print density and/or print speed for the print paper. * Refer to 9-2. Changing the Setup. (2) Turn off the power and request repair.
Printing is uneven.	<ul style="list-style-type: none"> (1) Paper fragments or other foreign matter are stuck to the heating elements of the thermal head. (2) The setting of the printer setup is incorrect. (3) Foreign matter is stuck on the platen roller. (4) The thermal head is damaged. 	<ul style="list-style-type: none"> (1) Check and clean the thermal head. * Refer to 10-3. Cleaning the Thermal Head (2) Set the printer at the suitable print density and/or print speed for the print paper. Amend the setting. * Refer to 9-2. Changing the Setup. (3) Remove the foreign matter from the platen roller. * Refer to 10-2. Cleaning the Platen Roller (4) Turn off the power and request repair.
Vertical marks appear on the printout.	<ul style="list-style-type: none"> (1) Foreign matter is stuck in or dropped into the paper transport. (2) Foreign matter is stuck on the thermal head. (3) The thermal head is damaged. 	<ul style="list-style-type: none"> (1) Clean the paper transport. * Refer to 10-1. Cleaning Paper Holder and Paper transport (2) Clean the thermal head. * Refer to 10-3. Cleaning the Thermal Head (3) Turn off the power and request repair.

9. Special Mode (Test Print, Setup Menu...)

9-1. Test Print

Ensure that paper is set in the printer. Turn off the power switch on the printer, then turn it on again while pressing the FEED button on the control panel. This outputs the following printout.

⚠ Caution: Press and hold the FEED button until the printer starts printing.



Then Press the FEED button **once** (select 1. Test Print) to start a test print.

The printer automatically cuts the paper and stops after performing a set amount of printing. To terminate the test print while in progress, press the FEED button. This cuts the paper and terminates printing.

Test Print (Example)

The Firmware Number and Firmware Version vary according to the model.
 "123456" is an example serial number.

```

PT340-341 Ver1.0
123456

Memory_Switch_1
Power On Status      Enable
Receive Buffer       4KByte
Busy Condition      Bufferfull
Receive Error       ?Print
Auto LF             Disable
DSR(#6)Reset       Disable
INIT(#25)Reset     Disable
USB Soft Reset     Enable

Memory_Switch_2
Cover Open Error    Auto Recovery
Error               Auto Recovery
Batch (COM IF)     Enable
Batch (Other IF)   Disable
Serial Number      Disable
ASB                Enable
Font-B             Model1

Print
Paper Width        80mm/48columns
Max Speed          220mm/s
Print Density      100%

Hardware
Error Alert        None
Buzzer Interval    Pattern 2
Buzzer Repetition  Three
Graph/User NV-MEM 384KB/192KB
Cut at CoverClose  Disable
PNE Detect         Enable

Interface
Baudrate           115200BPS
Format             8NONE1
Protocol           DSR/DTR
USB                Printer

! ~ # $ % & ' ( ) * + , - . / 0 1 2 3 4
5 6 7 8 9 : ; < = > ? @ A B C D E F G H I
J K L M N O P Q R S T U V W X Y Z [ \ ] ^
_ ` a b c d e f g h i j k l m n o p q r s
    
```

Dual interface model

Paper feed direction

```

PT340-341 Ver2.0
123456

Memory_Switch_1
Power On Status      Enable
Receive Buffer       4KByte
Busy Condition      Bufferfull
Receive Error       ?Print
Auto LF             Disable
DSR(#6)Reset       Disable
USB Soft Reset     Enable

Memory_Switch_2
Cover Open Error    Auto Recovery
Error               Auto Recovery
Batch (COM IF)     Enable
Batch (Other IF)   Disable
Serial Number      Disable
ASB                Enable
Font-B             Model1

Print
Paper Width        80mm/48columns
Max Speed          220mm/s
Print Density      100%

Hardware
Error Alert        None
Buzzer Interval    Pattern 2
Buzzer Repetition  Three
Graph/User NV-MEM 384KB/192KB
Cut at CoverClose  Disable
PNE Detect         Enable

Interface
Baudrate           115200BPS
Format             8NONE1
Protocol           DSR/DTR
USB                Printer

LAN
Mac Address        [xx:xx:xx:xx:xx:xx]
root Password      "*****"
Printer Name       "PT340-341"
DHCP               Enable
IP Address         192.168. 1. 1
Subnet Mask        255.255.255. 0
Default Gateway    0. 0. 0. 0

SNMP
Authentic Community "*****"
Trap Community     "public"
Trap Address(IP)    .. 0. 0. 0. 0
SysContact         ""
SysName            ""
SysLocation        ""
EnableAuthenTrap   Disable(2)

! ~ # $ % & ' ( ) * + , - . / 0 1 2 3 4
5 6 7 8 9 : ; < = > ? @ A B C D E F G H I
J K L M N O P Q R S T U V W X Y Z [ \ ] ^
_ ` a b c d e f g h i j k l m n o p q r s
    
```

Triple interface model

9-2. Changing the Setup

This section explains how to setup the printer without using a PC.

Alternatively, when the printer is connected to a Windows PC, the settings can be changed using the utility software on the enclosed CD.

For instructions on installing and using the utility software, refer to the "Installation Guide" and "Utility User's Guide" located in the Manuals folder of the CD.

- Installation Guide : PT340-341_InstallGuide_en.pdf
- Utility User's Guide : PT340-341_UtilityGuide_en.pdf

The "Installation Guide" and "Utility User's Guide" can also be viewed by loading the CD in your PC's CD drive and selecting "Manuals" on the "Setup" screen that appears.

Setting Example Select a higher print density

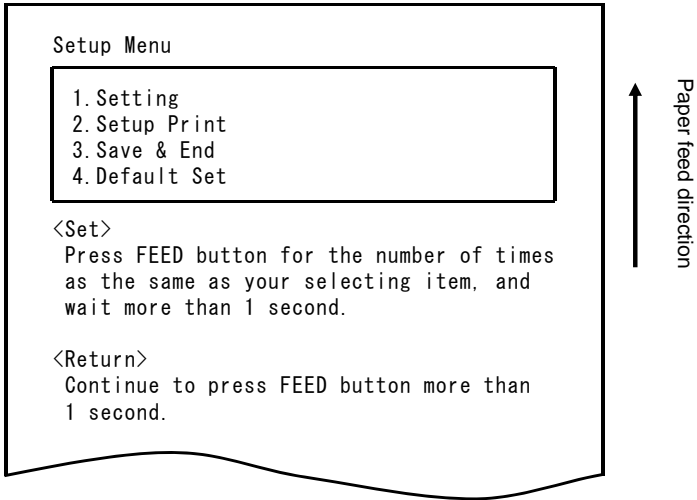
Print Density Changed from 100% to 130%

Perform setup as follows:

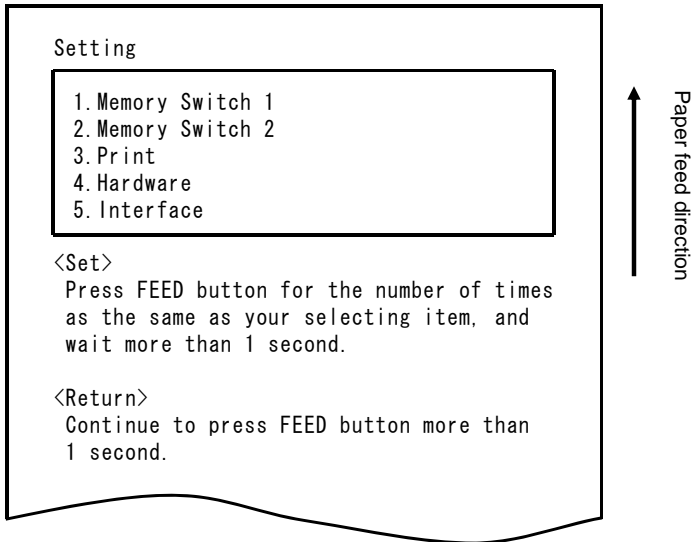
1. Check the printer state prior to setting.
 - (1) The power is off.
 - (2) The paper roll is set.
 - (3) The cover is closed.

2. Ensure that paper is set in the printer. Turn off the power switch on the printer, then turn it on again while pressing the FEED button on the control panel. This outputs the printout shown in section 9-1.

Then Press the FEED button **twice** (to select 2. Setup Menu) enters setup mode and prints the following menu.



3. **Then Press** the FEED button **once** (to select 1. Setting) enters setting mode and prints the following setting groups.



4. **Then Press** the FEED button **three times** (to select 3. Print) selects the Print group and prints the following setting options.

Print

1. Paper Width	80mm/48columns
2. Max Speed	220mm/s
3. Print Density	100%

<Set>
Press FEED button for the number of times as the same as your selecting item, and wait more than 1 second.

<Return>
Continue to press FEED button more than 1 second.

<Setup Menu>
Continue to press FEED button more than 3 seconds.

Paper feed direction ↑

5. **Then Press** the FEED button **three times** (select 3.Print Density) selects the Print Density setting and prints the following Print Density settings.

The diagram shows a rectangular frame representing a printer's display. At the top, it displays "Print Density" followed by "100%". Below this is a smaller rectangular box containing a list of seven options: "1. 70%", "2. 80%", "3. 90%", "4. 100%", "5. 110%", "6. 120%", and "7. 130%". To the right of the frame, a vertical arrow points upwards, labeled "Paper feed direction". Below the list, there are three sections of instructions: "<Set> Press FEED button for the number of times as the same as your selecting item, and wait more than 1 second.", "<Return> Continue to press FEED button more than 1 second.", and "<Setup Menu> Continue to press FEED button more than 3 seconds."

Print Density 100%

1. 70%
2. 80%
3. 90%
4. 100%
5. 110%
6. 120%
7. 130%

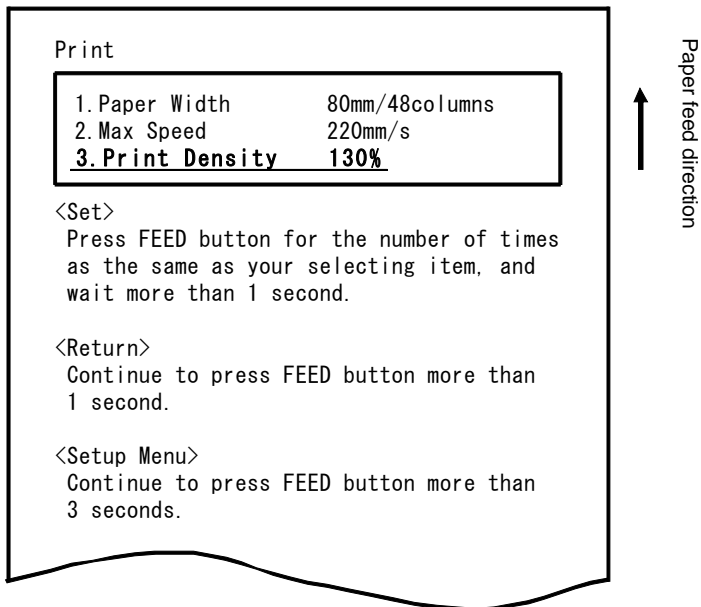
<Set>
Press FEED button for the number of times as the same as your selecting item, and wait more than 1 second.

<Return>
Continue to press FEED button more than 1 second.

<Setup Menu>
Continue to press FEED button more than 3 seconds.

Paper feed direction

6. **Then Press** the FEED button **seven times** (to select 7. 130%) returns to the Print settings group.
Changed items are displayed in bold and underlined.



To exit to the previous level (<Return>)
⇒ Go to Section 7-1

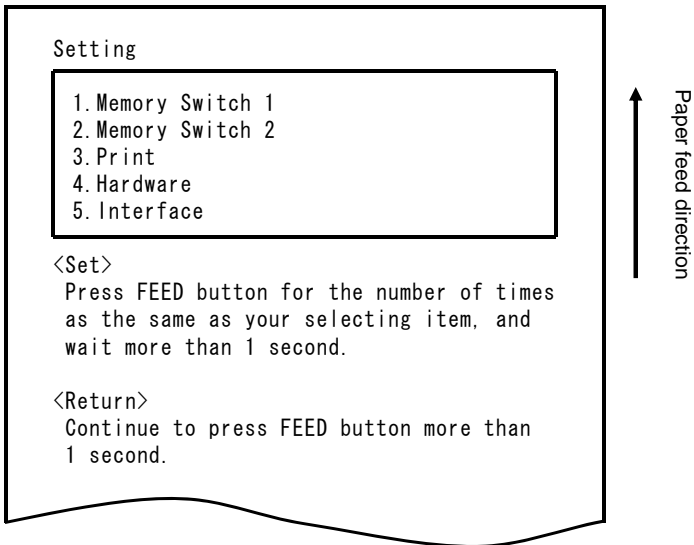
To exit directly to the setup menu (<Setup Menu>)
⇒ Go to Ssection 7-2

7-1. Exiting to Previous Level

Hold the FEED button down for **1 second or more** until the buzzer sounds twice.

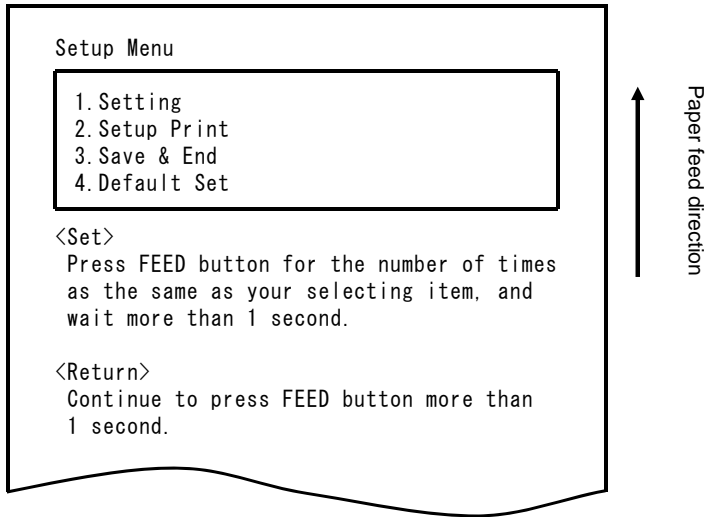
Release the FEED button after the buzzer sounds.

This returns to the previous level and prints the Setting group options.



Hold down the FEED button again for **1 second or longer** until the buzzer sounds twice. Release the FEED button after the buzzer sounds.

This returns to the previous level and prints the Setup Menu.



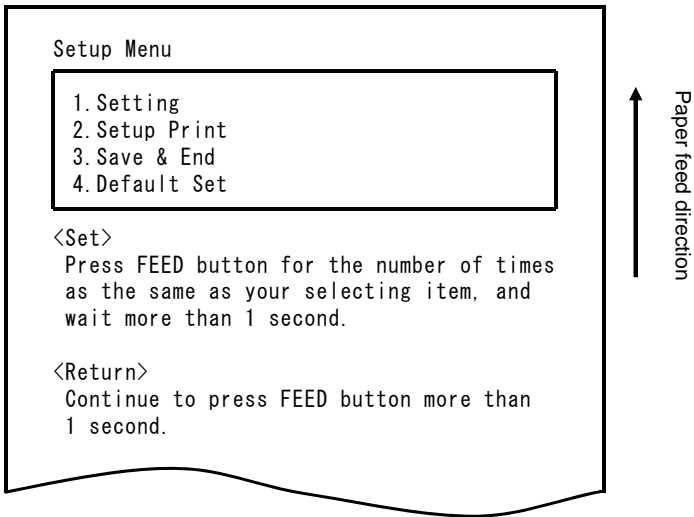
Proceed to step 8.

7-2. Exiting Directly to Setup Menu

Hold the FEED button down for **3 seconds or more** to return to the Setup Menu.

Although holding down the FEED button for a long time causes the buzzer to sound twice after 1 second, ignore this and continue to press the FEED button.

After about 3 seconds, the buzzer sounds three times and the following menu is printed.



Proceed to step 8.

8. Pressing the FEED button **three times** (to select 3. Save & End) saves the settings, cuts the paper, and then exits setup mode.

⚠ Caution: If the power switch of the printer is turned off without selecting "Save & End", any changes made will not be saved.

● **Checking the Settings**

To check that the settings have been applied, follow the instructions in section 9.1 to perform a test print.

The test print includes a list of printer settings. Use this to confirm your changes.

9-3. Setup Settings

Setting Groups

Settings Group		Description
1	Memory Switch 1	Memory Switch 1 settings
2	Memory Switch 2	Memory Switch 2 settings
3	Print	Print settings
4	Hardware	Hardware settings
5	Interface	Serial and USB interface settings (This group is not displayed on printers with a LAN interface.)

Setting Items and Detailed Setting Items

(Note) Setup items and the default values depend on the printer model and/or area.

(1) Memory Switch 1 Group

Item		Description	Setting Value	
1	Power On Status	Specifies Power ON notification.	1 2	Enable Disable
2	Receive Buffer	Specifies receiver buffer size.	1 2	45bytes 4Kbytes
3	Busy Condition	Sets the printer as BUSY (data reception not available).	1 2	Buffer full Offline/Buffer full
4	Receive Error	Specifies what to do when a receive error occurs using the serial interface.	1 2	?Print Ignore
5	Auto LF	Specifies whether the CR code generates an automatic line feed.	1 2	Enable Disable
6	DSR(#6)Reset	Specifies whether receiving DSR (#6) via the serial interface triggers a hardware reset.	1 2	Enable Disable
7	INIT(#25)Reset *1	Specifies whether receiving INIT (#25) via the serial interface triggers a hardware reset.	1 2	Enable Disable

Item		Description	Setting Value	
8	USB Soft Reset	Specifies whether a USB Soft Reset triggers a hardware reset when using printer class USB.	1 2	Enable Disable

*1 " INIT(#25)Reset "
Only Dual interface model.

(2) Memory Switch 2 Group

Item		Description	Setting Value	
1	Cover Open Error	Recovery method for Cover Open Error during print	1 2	Auto Recovery Recovery by CMND
2	Error	What to do at power on or after recovery from error "Auto Recovery": Perform auto recovery to enable data reception. "Recovery by CMND": Discard any received data until a reset command is received.	1 2	Auto Recovery Recovery by CMND
3	Batch (COM IF)	Specifies whether to use batch printing for the serial interface	1 2	Enable Disable
4	Batch (Other IF)	Specifies whether to use batch printing for the USB or LAN interface	1 2	Enable Disable
5	Serial Number	Specifies iSerial Number notification for USB "Disable": Returns "0" as the iSerial Number. "Enable": Returns the manufacturing serial number as the iSerial Number	1 2	Enable Disable
6	ASB	Specifies whether to enable the automatic status transmission function (ASB: Automatic Status Back)	1 2	Enable Disable
7	Font-B	Specifies the number of columns for font B (horizontal x vertical) "Mode1" 10x24 "Mode2" 9x24	1 2	Mode1 Mode2

(3) Print Group

Item		Description	Setting Value	
1	Paper Width	Paper width and number of characters per line	1	80mm/48columns
			2	80mm/42columns
			3	58mm/35columns
			4	58mm/32columns
2	Max Speed	<p>Maximum print speed</p> <p>The maximum for printing ladder barcodes and two-dimensional codes is 120mm/s.</p>	1	100mm/s
			2	110mm/s
			3	120mm/s
			4	130mm/s
			5	140mm/s
			6	150mm/s
			7	160mm/s
			8	170mm/s
			9	180mm/s
			10	190mm/s
			11	200mm/s
			12	210mm/s
			13	220mm/s
			14	250 mm/s
			15	270 mm/s
			16	300 mm/s
3	Print Density	<p>Print density</p> <p>The smaller the value the lower the print density.</p> <p>The higher the value the higher the print density.</p>	1	70%
			2	80%
			3	90%
			4	100%
			5	110%
			6	120%
			7	130%

(4) Hardware Group

Item		Description	Setting Value	
1	Error Alert *1	Whether to sound a buzzer when an error occurs "None": Does not beep. "One Time": Beeps four times. "Continuous": Beeps continuously.	1 2 3	None One Time Continuous
2	Buzzer Interval *2	The buzzer tone to use during printing The buzzer beeps in the following cases during printing: • FEED button pressed while cover open • Buzzer command received (ESC p 03h t1 t2 t3)	1 2 3 4 5	Pattern 1 Pattern 2 Pattern 3 Pattern 4 Pattern 5
3	Buzzer Repetition *2	The number of buzzer beeps during printing Zero specifies no buzzer. The buzzer beeps in the following cases during printing: • FEED button pressed while cover open • Buzzer command received (ESC p 03h t1 t2 t3)	1 2 3 4 5 6	Zero One Two Three Four Five
4	Graph/User NV-MEM	NV graphic memory size and user NV memory size Specifies the size of the registration area for graphics images and NV bit images, and the size of the area for storing any user data.	1 2 3 4	384KB/192KB 448KB/128KB 512KB/64KB 576KB/0B
5	Cut at Cover Close	Whether to trigger the cutter when the cover is closed.	1 2	Enable Disable
6	PNE Detect	Whether to notify when near the paper end	1 2	Enable Disable

*1 "Error Alert"

The operation when a "continuous" buzzer tone is output is as follows:

(Note) To stop the buzzer during continuous beeping, press the FEED button.

- Recoverable Error (Excluding Paper Near End)
Continuous beeping of 500mSecON/200mSecOFF
- Hardware Error
Continuous beeping of 1000mSecON/500mSecOFF

*2 "Buzzer Interval"

The buzzer patterns are as follows:

- Pattern 1 40msON / 120msOFF
- Pattern 2 140msON / 140msOFF
- Pattern 3 200msON / 200msOFF
- Pattern 4 10msON / 50msOFF
- Pattern 5 30msON / 50msOFF

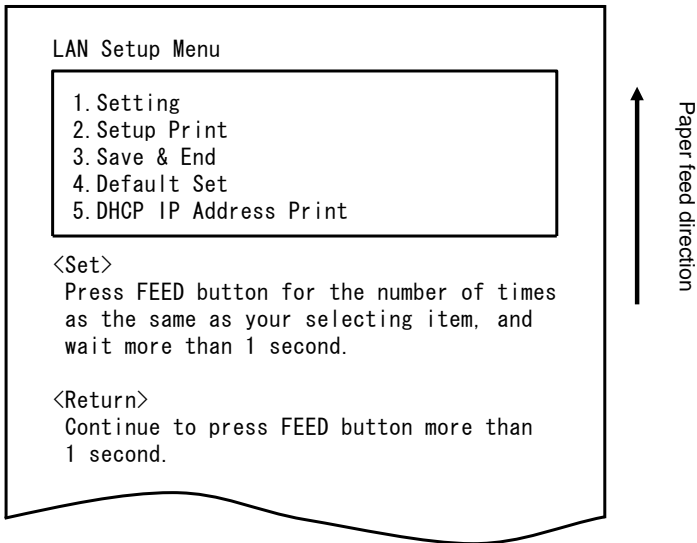
(5) Interface Group

Item		Description	Setting Value	
1	Baud rate	Baud rate for the serial interface	1	2400BPS
			2	4800BPS
			3	9600BPS
			4	19200BPS
			5	38400BPS
			6	57600BPS
			7	115200BPS
2	Format	Data format for the serial interface	1	7EVEN1
			2	7ODD1
			3	8NONE1
			4	8ENEN1
			5	8ODD1
3	Protocol	Buffer control protocol for the serial interface	1	DSR/DTR
			2	XON/XOFF
4	USB	Class for USB interface	1	Printer
			2	V-COM

9-4. LAN Setup Settings (Printer with triple interface model)

Ensure that paper is set in the printer. Turn off the power switch on the printer, then turn it on again while pressing the FEED button on the control panel. This outputs the printout shown in section 9-1.

Then Press the FEED button **three times** (to select 3. LAN Setup Menu) enters setup mode and prints the following menu.



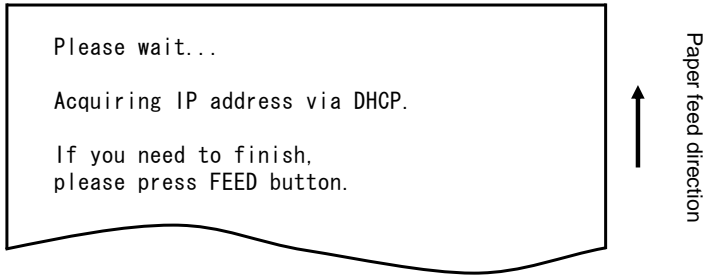
Settings have the same operation method as described in paragraph 9-2.

Setting Item

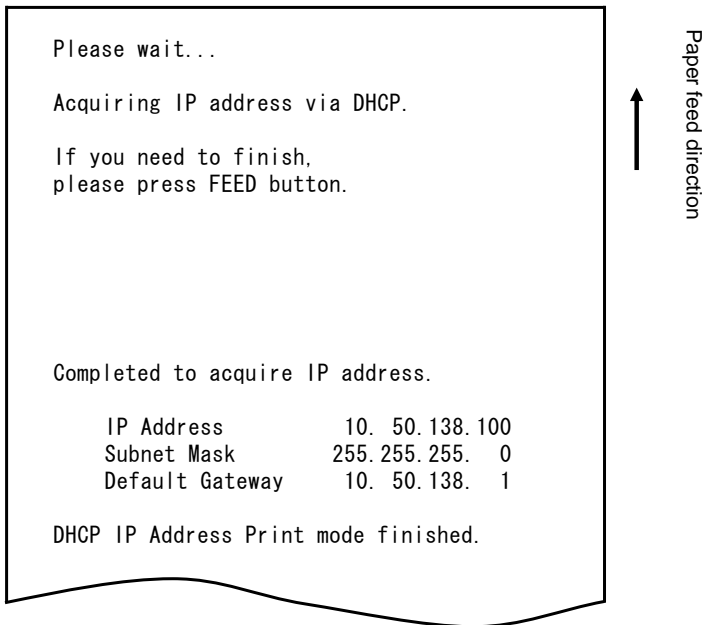
Item		Description	Setting Value	
1	LAN	Specify interface "Enable": Runs on LAN interface. "Disable": Runs on either USB or serial interface. If both USB and serial interfaces are connected, USB will be prioritized.	1 2	Enable Disable

DHCP IP Address Print

- 1) Select “DHCP IP Address Print” to enter the IP Address Print Mode as shown below. Wait several tens of seconds.



- 2) When the IP Address, Subnet Mask, and Default Gateway have been successfully acquired, the acquired values will be printed out and the Print Mode will be closed.



- 3) If the FEED button is pressed while the values are being acquired, the Print Mode will be immediately closed with the following message printed out:

“ DHCP IP Address Print mode finished. ”

9-5. HEX Dump

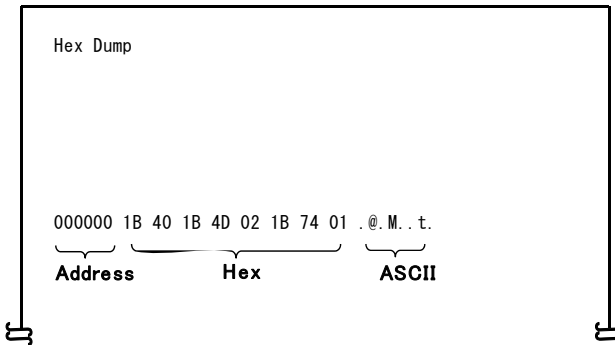
Ensure that paper is set in the printer. Turn off the power switch on the printer, then turn it on again while pressing the FEED button on the control panel. This outputs the printout shown in section 9-1.

Pressing the FEED button three times (Dual interface model : select 3. Hex Dump) or **four times** (Triple interface model : select 4. Hex Dump) enters HEX dump mode.

This mode prints all the data sent to the printer as hex code. It is useful for checking whether the control codes being sent to the printer by the PC program are correct.

To clear this mode, turn the power switch off and on again.

HEX Dump Print (Example)



9-6. Command Trace

Ensure that paper is set in the printer. Turn off the power switch on the printer, then turn it on again while pressing the FEED button on the control panel. This outputs the printout shown in section 9-1.

Pressing the FEED button four times (Dual interface model : select 4. Command Trace) or **five times** (Triple interface model : select 5. Command Trace) enters command trace mode.

This mode prints all the data sent to the printer in ASCII format (with ESC/POS command explanations). It can be used to analyze the ESC/POS commands sent to the printer by the PC program.

To clear this mode, turn the power switch off and on again.

Command Trace Print (Example)

```
Command Trace

<1B40:Initialize printer (ESC @)>
<1B4D02:Set ANK font C (ESC M n)>
<1B7480:Set character code table (ESC t n)>
<1D4200:Disable reverse printing (GS B n)>
<1B6102:Set justification RIGHT (ESC a n)>
<1C2E:Reset kanji mode (FS .)>
ABC
<0A:Print and line feed (LF)>
```

- Undefined commands or commands with abnormal command parameters are treated as errors and printed with background and foreground reversed.
- Meaningless and unnecessary commands are printed with an underline as a warning.
- Command codes are printed in bold.

9-7. Sample Print

Ensure that paper is set in the printer. Turn off the power switch on the printer, then turn it on again while pressing the FEED button on the control panel. This outputs the printout shown in section 9-1.

Pressing the FEED button five times (Dual interface model : select 5. Sample Print) or **six times** (Triple interface model : select 6. Sample Print) enters sample print mode.

This mode prints an explanation of FEED button operation, performs a paper cut, and then prints sample patterns. (The FEED button explanation is only printed at the first time.)

" Press FEED button.
Short : Next pattern
Long : Same pattern"

After printing, pressing the FEED button briefly (less than one second) prints the following samples, one at a time.

- * "Receipt" → "Coupon" → "Bar Code" → "Receipt" in turn. (Printing pauses after each sample. Press the FEED button to print the next sample.)

Pressing the FEED button for a long time (one second or longer) prints the previous sample again.

To clear sample print mode, turn the power switch off and on again.

Sample print mode performs a cut after each sheet is printed.

Sample print mode uses the 80mm or 58mm pattern depending on the paper width setting in setup.

If a recoverable error occurs, the sample print resumes after recovery.

The following page shows examples printouts.

<Printing Results of Sample Print, 80mm Pattern>

"Receipt" Pattern


OKI

OKI Supermarket
Tel : 987-654-321

Banana	22.50	1	\$2.50
Beer 350ml	22.40	6	\$14.40
Cake	22.50	3	\$7.50
Slipper	23.80	5	\$19.00
Fairy lamp	2.50	2	\$1.00
Candy	2.11	10	\$1.10
Strawberry	22.45	4	\$9.80
Pie	235.00	1	\$35.00
Pizza	20.00	1	\$20.00
Socks	23.30	6	\$19.80
Aspirin	212.80	1	\$12.80
Wine	299.80	1	\$99.80
Sub total			\$242.70
Tax(5%)			\$12.10
Total			\$254.80

Receipt No. : 9202
Casher : XXXX

XX-XX-20XX



a 0 1 2 3 4 5 6 7 8 9 0 1 2 3 4 5 6 7 8 9 a

"Coupon" Pattern

OKI

Coupon 20\$ OFF !!

Save 20 dollars on Grape Search of OKI company.

Issue date : XX.XX.20XX

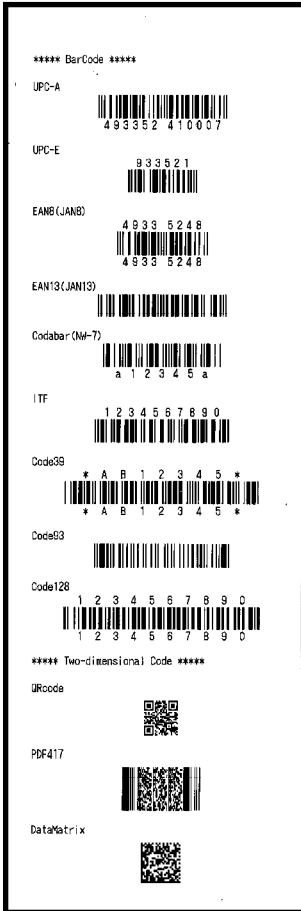


a 0 1 2 3 4 5 6 7 8 9 0 1 2 3 4 5 6 7 8 9 a

OKI will give a REAL LIFE to YOU

NO. 1234567890

"Bar Code" Pattern



<Printing Results of Sample Print, 58mm Pattern>

"Receipt" Pattern

OKI

OKI Supermarket
Tel : 987-654-321


Banana	22.50	1	\$2.50
Bear 350ml	22.40	6	\$14.40
Cake	22.50	3	\$7.50
Silence	25.80	5	\$19.00
Fairy lane	9.50	2	\$1.00
Candy	9.11	10	\$1.10
Strawberry	22.45	4	\$9.80
Pie	235.00	1	\$35.00
Pizza	220.00	1	\$20.00
Socks	25.50	5	\$19.80
Aspirin	212.80	1	\$12.80
Wine	299.80	1	\$99.80

Sub total \$242.70
Tax (5%) \$12.10

Total \$254.80

Receipt No. : 9202
Casher : XXXX


XX-KV-20XX



a 0 1 2 3 4 5 6 7 8 9 a

"Barcode" Pattern


***** BarCode *****


UPC-A

4 9 3 3 5 2 4 1 0 0 7

UPC-E
9 3 3 5 2 1



EAN8 (JANB)
4 9 3 3 5 2 4 8

4 9 3 3 5 2 4 8


EAN13 (JAN13)


Codabar (NN-7)

a 1 2 3 4 5 a

ITF
1 2 3 4 5 6 7 8 9 0


Code93
* A B 1 2 3 4 5 *

* A B 1 2 3 4 5 *

Code93


Code128
1 2 3 4 5 6 7 8 9 0

1 2 3 4 5 6 7 8 9 0

***** Two-dimensional Code *****

QRcode


PDF417

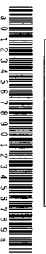

DataMatrix


OKI

Coupon 20\$ OFF!!

Save 20 dollars on Fresh Snacks of OKI company.

Issue date : MM/YY
OKI will give a REAL LIFE to you!



4 0 1 2 3 4 5 6 7 8 9 0 1 2 3 4 5 6 7 8 9 0

NO. 1234567890

"Coupon" Pattern

10. Regular Cleaning

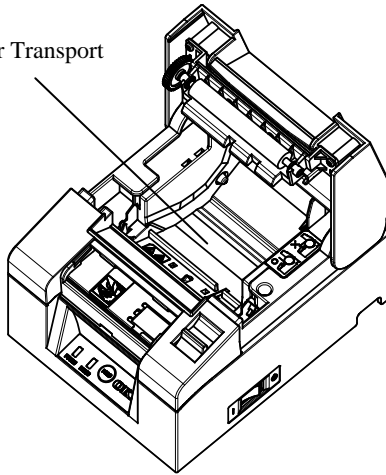
The print quality may be impaired by paper particles, dust, or other material. To avoid this problem, remove any paper particles or dust from the paper holder, the paper transport, the platen roller, and the thermal head as described below.

Perform cleaning every six months.

10-1. Cleaning Paper Holder and Paper Transport

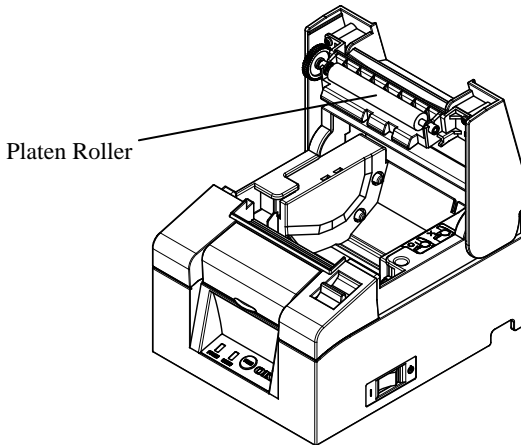
- (1) Be sure to turn off the printer power.
- (2) Open the top cover.
- (3) Wipe off any dust, paper particles, glue, or other foreign material from the paper holder and paper transport using a soft, dry cloth.

Paper Holder and Paper Transport



10-2. Cleaning the Platen Roller

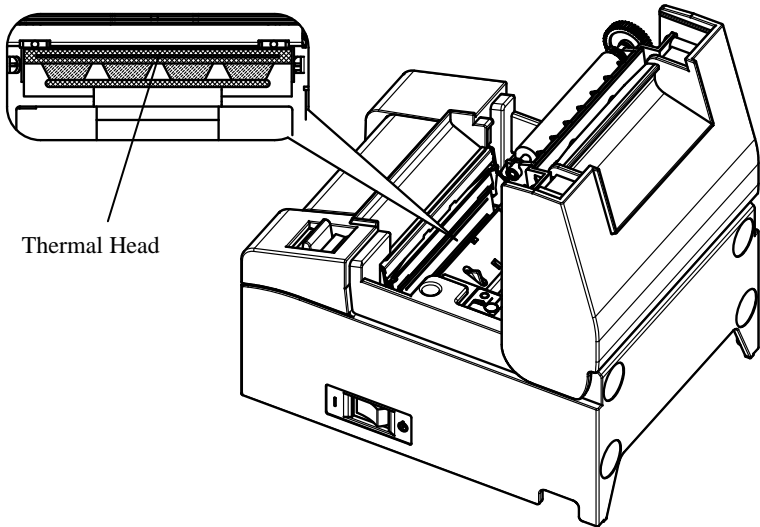
- (1) Be sure to turn off the printer power.
- (2) Open the top cover.
- (3) Wipe off any dust, paper particles, glue, or other foreign material from the platen roller using a soft, dry cloth.



**⚠ Caution: Do not damage or dent the platen roller.
Dents on the platen roller will cause incomplete printing
and/or line feed failure.**

10-3. Cleaning the Thermal Head

- (1) Be sure to turn off the printer power.
- (2) Open the top cover.
- (3) Using an alcohol solvent, remove black paper particles and other residue from the surface of the thermal head.



- ⚠ Caution:** The thermal head can easily be damaged. Clean it carefully using a soft cloth to avoid any damage.
- ⚠ Caution:** The thermal head is still hot immediately after printing. Leave it to cool for about ten minutes before cleaning.
- ⚠ Caution:** The thermal head may be damaged by static electricity. Take care to avoid exposing it to static electricity.
- ⚠ Caution:** Wait until alcohol from the cleaning solvent has thoroughly dried before turning on the printer power.
- ⚠ Caution:** Use only alcohol or isopropyl alcohol solvents.

11. Interface

11-1. Serial Interface

(1) Transmission Interface Specifications

Transmission Method	Asynchronous
Line Type	Full duplex
Input/Output Circuit	Input: MAX211 Equivalent Output: MAX211 Equivalent
Baud Rate	2400, 4800, 9600, 19200, 38400, 57600, 115200BPS (Setup Settings)
Transmission Code Type	7 or 8 bits
Transmission Code Format	Start bits: 1 bit Stop bits: 1 bit Data bits: 7 or 8 bits (Setup Settings) Parity: NONE, ODD, EVEN (Setup Settings) Mark(1) <div style="display: flex; align-items: center; gap: 5px;"> ST b0 b1 b2 b3 b4 b5 b6 b7 PT SP </div> Space(0)
Transmission Sequence	LSB to MSB
Transmission Code	JIS code
Error Control	Parity check (Setup Settings)
Connection Line Length	Max. 15m: (When power is supplied from the power connector)
Protocol	DSR/DTR, XON/XOFF (Setup Settings)

(2) Serial Interface Connector (Dual interface model)

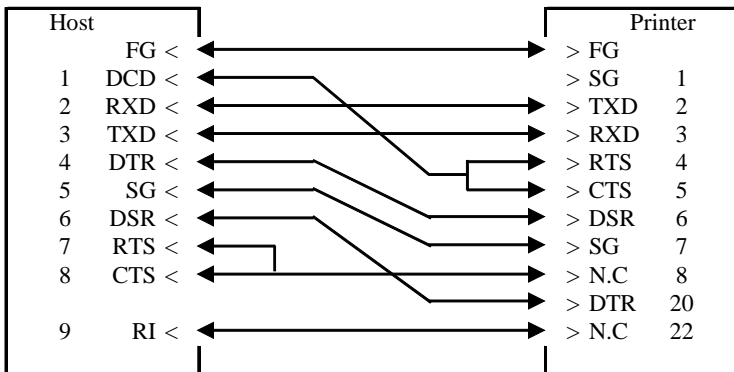
Pin No.	Signal Name	Direction	Signal Line Name
1	SG	-	Signal Ground
2	TXD	Output	Transmit Data
3	RXD	Input	Receive Data
4	RTS	Output	Request to Send
5	CTS	Input	Clear to Send
6	DSR	Input	Data Set Ready
7	SG	-	Signal Ground
8~19	N.C	-	No Connection
20	DTR	Output	Data Terminal Ready
21~24	N.C	-	No Connection
25	INIT	Input	Forcible Reset Signal

⚠ Caution: Use a lock screw with an imperial thread on the connector.

⚠ Caution: Please use a RS232C 9 Pin – 25 Pin crossover cable for your interface cable.

(3) Connection Cable (Dual interface model)

The connection setup shown in the following figure is recommended.



⚠ Caution: Supplying power from the interface connector is prohibited.

(4) Serial Interface Connector (Triple interface model)

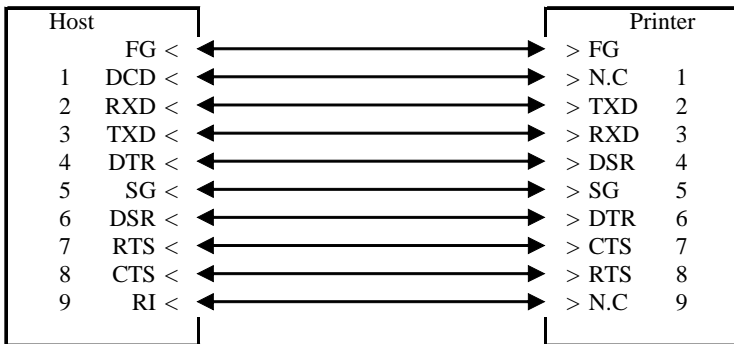
Pin No.	Signal Name	Direction	Signal Line Name
1	N.C	-	No Connection
2	TXD	Output	Transmit Data
3	RXD	Input	Receive Data
4	DSR	Input	Data Set Ready
5	SG	-	Signal Ground
6	DTR	Output	Data Terminal Ready
7	CTS	Input	Clear to Send
8	RTS	Output	Request to Send
9	N.C	-	No Connection

⚠ Caution: Use a lock screw with an imperial thread on the connector.

⚠ Caution: Please use a RS232C 9 Pin straight cable for your interface cable.

(5) Connection Cable(Triple interface model)

The connection setup shown in the following figure is recommended.



⚠ Caution: Supplying power from the interface connector is prohibited.

11-2. USB Interface

(1) Type-B Connector: 4 Pins

Pin No.	Signal Name	Direction	Signal Line Name
1	VBUS	Input	VBUS
2	D-inB	Input/Output	D-
3	D+inB	Input/Output	D+
4	SG	-	Signal Ground

⚠ Caution: Use a shielded USB cable.

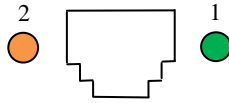
11-3. LAN Interface

(1) LAN Interface Connector

Pin No.	Signal Name	Direction	Signal Line Name
1	TX+	Output	Output data
2	TX-	Output	Output data
3	RX+	Input	Input data
4	N.C	-	-
5	N.C	-	-
6	RX-	Input	Input data
7	N.C	-	-
8	N.C	-	-

⚠ Caution: Use a straight LAN cable for the interface cable and connect it to the network via a HUB.

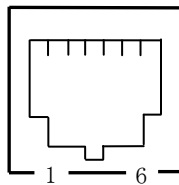
(2) LED



No.	Meaning	Description
1	S (Speed)	Lights up when the connection is recognized as 100BASE-TX Turns off when not connected or when it recognizes being connected to 10BASE-T.
2	L/A (Link/Act)	Lights up when the link is established with 100BASE-TX or 10BASE-T Flashes when sending and receiving packets.

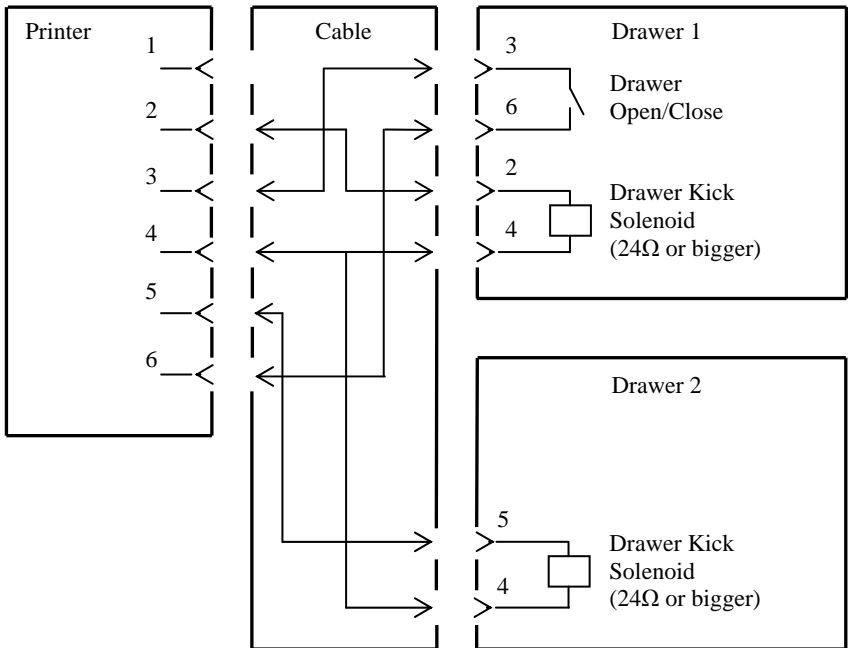
11-4. Drawer Kick Connector

Pin No.	Signal Name	Direction	Signal Line Name
1	FG	-	Frame Ground
2	*DRD1	Output	Drawer Kick Drive Signal 1
3	DRSNS1	Input	Drawer Sense Signal 1
4	+24V	-	Drive Power
5	*DRD2	Output	Drawer Kick Drive Signal 2
6	SG	-	Signal Ground



<Connecting side>

<Connection>



- ⚠ **Caution:** The drawer connection cable should be of the shielded type.
- ⚠ **Caution:** Simultaneous drive from the two drives is not available.
- ⚠ **Caution:** Specify the ON time and OFF time (t_1 and t_2) for the drawer using the pulse generation command (ESC p m t_1 t_2).
- ⚠ **Caution:** Set the drive duty cycle for the drawer in accordance with the following formula: $\text{ON time}/(\text{ON time} + \text{OFF time}) \leq 0.2$
- ⚠ **Caution:** Always use printer power (connector pin 4) for the drawer power.
- ⚠ **Caution:** Use a drawer kick solenoid with a resistance value of at least 24Ω . If it is under 24Ω , the solenoid may be damaged by excess current.
- ⚠ **Caution:** This product uses a special-purpose modular connector for the cash drawer and customer display connector. Do not attempt to use other types of connectors such as public telephone connectors.

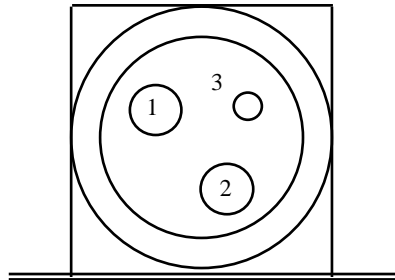
11-5. Power Specifications

- (1) Rated Input Voltage: 100-240V, 50-60Hz
- (2) Rated Input Current: 1.1A
- (3) Operating Voltage: 24V $\pm 10\%$
- (4) Power Consumption: During standby : 3.0W or less/0.1A on average
During operation : About 38W/1.5A on average
(at 24V, 25°C, print density setting 100%, paper width 80mm, print duty 9%)

Note: Drawer Kick Drive Current: Max. 1A
However, do not operate two drawer kick at the same time.

Power Connector Pin Assignment

Pin No.	Signal Name
1	+24V
2	SG
3	N.C



- ⚠ Caution: Use the specified AC adapter for the power supply.**
- ⚠ Caution: If our AC adapter is not used (power supply is supplied by the user), problems such as bad print quality, electromagnetic interference, or circuit noise may occur. In such cases, take note of the following points:**
 - Use an AC adapter whose capacity corresponds to the printing rate that will actually be used.
 - Ensure in advance that there are no problems such as static electricity, electromagnetic interference, circuit noise, etc.

12. Specifications

12-1. General Specifications

- (1) Printing Method: Direct Line Thermal Printing
- (2) Print Speed: Maximum 300 mm/s (Monochrome only)
- (3) Print Resolution: 8dot/mm (0.125mm)
- (4) Relationship between Number of Print Column and Character Size

Body face ((Width)x(Height) dot)

	Paper width: 58mm	
	32 column printing	35 column printing
ANK: Font A	32 columns: 12x24	35 columns: 12x24
ANK: Font B	38 columns: 10x24 42 columns: 9x24	42 columns: 10x24 46 columns: 9x24
ANK: Font C	48 columns: 8x16	52 columns: 8x16
ANK: Font A Extension Font	32 columns: 12x24	35 columns: 12x24
ANK: Font B Extension Font	38 columns: 10x24 42 columns: 9x24	42 columns: 10x24 46 columns: 9x24

Body face ((Width)x(Height) dot)

	Paper width: 80mm	
	42 column printing	48 column printing
ANK: Font A	42 columns: 12x24	48 columns: 12x24
ANK: Font B	51 columns: 10x24 56 columns: 9x24	57 columns: 10x24 64 columns: 9x24
ANK: Font C	64 columns: 8x16	72 columns: 8x16
ANK: Font A Extension Font	42 columns: 12x24	48 columns: 12x24
ANK: Font B Extension Font	51 columns: 10x24 56 columns: 9x24	57 columns: 10x24 64 columns: 9x24

(5) Character Sets

Alphanumeric character (95)

International character (16 sets : Gothic)

Enlarged graphics (128 x 20 pages : Gothic)

Down-loaded registration (96)

User-defined Kanji (94)

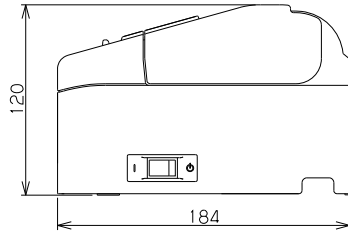
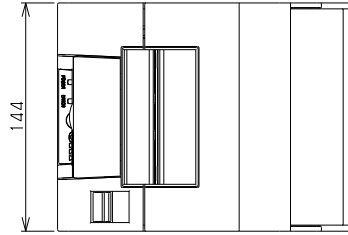
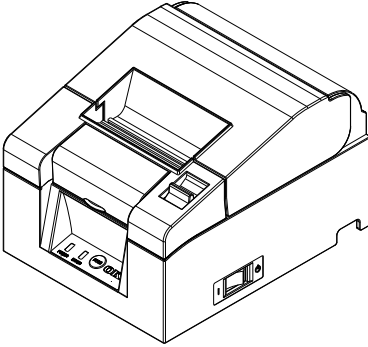
(6) Character Size

	Body face		Letter face	
	(Width)x(Height) dot	(Width)x(Height) mm	(Width)x(Height) dot	(Width)x(Height) mm
ANK: Font A	12 x 24	1.5 x 3.0	11 x 22	1.375 x 2.75
ANK: Font B	10 x 24 9 x 24	1.25 x 3.0 1.125 x 3.0	9 x 17 9 x 22	1.125 x 2.125 1.125 x 2.75
ANK: Font C	8 x 16	1.0 x 2.0	8 x 13	1.0 x 1.625
ANK: Font A Extension Font	12 x 24	1.5 x 3.0	12 x 24	1.5 x 3.0
ANK: Font B Extension Font	10 x 24 9 x 24	1.25 x 3.0 1.125 x 3.0	9 x 22 9 x 22	1.125 x 2.75 1.125 x 2.75

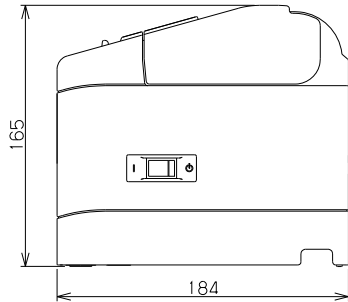
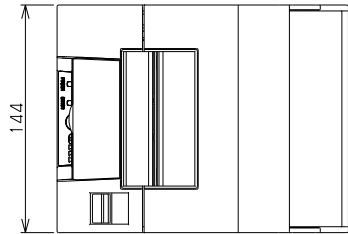
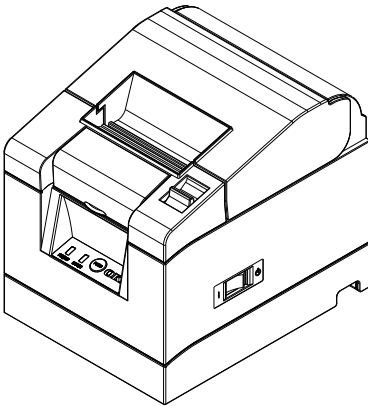
(Note) Print Column, Character Size and Character Sets depend on the printer model and/or area.

(7) Outline View

Standard Model



Built-in Power Supply Model



12-2. Cutter Specifications

(1) Cutting Method: Partial cut (the paper remains connected at one point)

⚠ Caution: Do not use the cutter continuously at a rate exceeding 10 cuts per minute (1 cut per 6 seconds or more). Excessive use may cause a malfunction.

12-3. Paper Roll Supply Specifications

(1) Loading Method: Rolls are loaded manually.

(2) Paper Near End: Detected when the remaining paper length is inadequate.

⚠ Caution: Core diameter ϕ 18mm is supported.

12-4. Interface Specifications

(1) Serial (RS-232C)

(2) USB (USB 2.0 Full-speed)

(3) LAN (10BASE/100BASE-T)

12-5. Environment Specifications

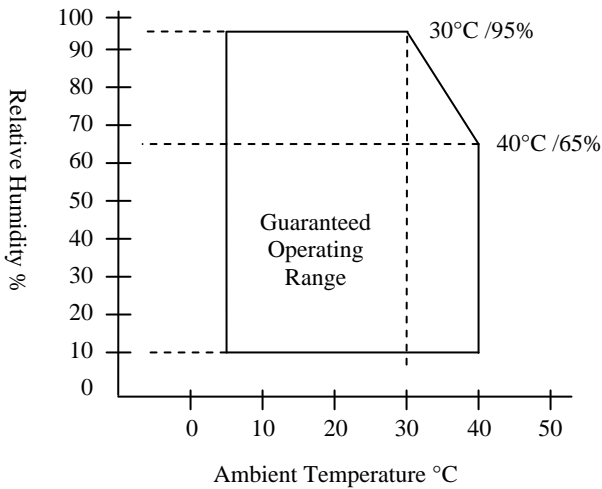
(1) Temperature

Operating	Operation Guaranteed at:	0°C - 40°C
	Print Quality Guaranteed at:	5°C - 35°C
Non-operating		-5°C - 60°C
Transportation or storage (packaging)		-20°C - 60°C

(2) Humidity

Operating	Operation Guaranteed at:	10%-95% RH (no condensation)
	Print Quality Guaranteed at:	10%-85% RH (no condensation)
Non-operating		8%-95% RH (no condensation)
Transportation or storage (packaging)		5%-95% RH (no condensation)

(3) Maximum Wet Bulb Temperature 29°C or less



12-6. Reliability Specifications

- (1) Printer Life 20 million line-feed
 (When the recommended paper of 75 μ m is used)

- (2) Head Life Running Life: 100km
 (When the recommended paper of 75 μ m is used)
 Pulse Life: 100 million pulses
 (When the recommended paper of 75 μ m is used)

- (3) Cutter Life
 Paper Thickness 75 μ m: 1.5 million cuts
 (When the recommended paper of 75 μ m is used)
 65 μ m/85 μ m: 1.0 million cuts

Note: When a setup of the maximum printing speed is 220 mm/s.

13. Usage Precautions

13-1. Paper Related Precautions

- (1) High printing rates may cause blurred printing. Choose a suitable printing rate to avoid blurring. Alternatively, set a suitable combination of print speed and print density to avoid blurring.
(Refer to 9 Special Mode: 9-2. Changing the Setup.)
- (2) Printing characters from a non-standard character set in a thin serif or similar font will result in the characters appearing very faint. Use a bold sans serif font.
- (3) To achieve quality printing without uneven pitch (expansion or contraction), feed the paper 1mm (8 dots) or more when restarting printing or after cutting the paper.
- (4) In sequential printing, slow data transfer may cause white lines to run across the print, as printing and pausing are repeated alternately. If print quality has priority, use the Batch Print mode ("Batch (COM IF)", "Batch (OTHER IF)").
(Refer to 9 Special Mode: 9-2. Changing the Setup.)
- (5) The top margin can be set to either 12mm or 3mm by a command. If the top margin is set to 3mm, be sure to remove the printed paper each time the printing and cutting operation is completed as rollback of paper takes place before printing. If printed and cut paper is not removed, the partial cut section may be torn or the cut surface may be folded causing a paper jam. Also, use at least 30 mm of paper for each transaction.
- (6) Setting a high value for print density (110 % and over) can result in blurred or uneven printing at low temperatures, depending on the printing pattern. If print quality has priority, print at a lower speed.
(Refer to 9 Special Mode: 9-2. Changing the Setup.)
- (7) Do not switch from narrower paper to wider paper (e.g. 58mm to 80mm) when printing is in progress. When using narrow-width paper, a part of the thermal head may directly come in contact with the platen roller without any paper present. This causes the head to wear down, resulting in poor printing quality. In addition, as the cutter blade also works at sections without paper, the cutter blade may wear down, resulting in a bad cut. Do not change paper width when printing is in progress.
- (8) If the paper has been left in the printer for a long time, it may deform and cause faint printing. Therefore, if the paper has been left for a long time, feed the paper forward by 20-30mm before printing.

- (9) If non-recommended paper is used, print quality and/or the thermal head life cannot be guaranteed. In particular, use of paper containing “Na+, K+, or Cl-” may significantly shorten the life span of the thermal head.
- (10) Using a non-recommended AC adapter may cause blurred and/or uneven printing, so use only the recommended adapter.
- (11) The paper may get marked during paper changing or when the top cover is shut, so feed the paper forward by 20-30mm before printing.

13-2. Cutter Related Precautions

- (1) Do not use the cutter continuously at a rate exceeding 10 cuts per minute (1 cut per 6 seconds or more). Excessive use may cause a malfunction.
- (2) Do not remove paper while it is still being cut. Doing so may cause problems such as a paper jam.
- (3) If the top margin is set at 3mm, be sure to remove the printed paper each time the printing and cutting operation is completed as roll back of the printer paper takes place before printing. Not doing so may cause problems such as a paper jam.

13-3. Barcode/2D Code Printing Precautions

- (1) When using thick paper, the printing speed and density should be adjusted and readability should also be checked before using the printer as thick paper may cause blurring depending on the usage environment and the humidity.
(Refer to 9 Special Mode: 9-2. Changing the Setup.)
- (2) For 2D codes, adjust the printing speed and density to obtain a good recognition rate. As readability varies depending on the module width, print density, ambient temperature, type of thermal roll paper, and reader performance, check this before using the printer.
(Refer to 9 Special Mode: 9-2. Changing the Setup.)
- (3) If a barcode is printed at the top of the printer paper when it is first fed, or at the bottom when paper feeding is completed, readability should be checked as accuracy in paper feeding may become unstable.

13-4. USB Interface Usage Precautions

- (1) Connect the printer directly to the host computer.
- (2) Be sure to turn on the printer power before printing.
- (3) If an error occurs during printing, recover the printer from the error, and then retry printing.
- (4) Do not turn off the printer or disconnect the USB cable while printing is in progress. Using the host computer to set Stand-by mode, Sleep mode, Suspend mode or Pause mode is not recommended.
If the printer does not work properly even after implementing the above, try re-connecting the USB cable or turning on the printer power again. If the printer still does not print properly, restart the host computer.

13-5. LAN Interface Usage Precautions

- (1) The printer web settings should be configured when the printer is not printing.
If you change the web settings frequently while the printer is printing, the paper might not feed smoothly and uneven printing may occur.
- (2) Status monitor can be used with dedicated LAN ports.
It does not support Windows standard LAN ports.
- (3) When printing to multiple printers from a single PC, the printing might not operate correctly depending on the Windows standard TCP/IP port.
If this happens, set the bidirectional communication function in the printer driver to disabled before printing.
- (4) If the printer is turned off in the middle of printing, printing might not automatically resume when the printer is turned on.
If this happens, delete the print job data from the printer spooler and then execute the printing again.

13-6. Installation Precautions

- (1) Use the printer indoors only. Outdoor usage may cause printer malfunction due to dust or other factors.
- (2) When connecting a cable to the printer or shifting the position of the printer, perform the operation while holding the middle cover of the printer at the sides using both hands. If you perform the operation holding the top cover, the top cover may open.

13-7. Modular Type Connector Usage Precautions

- (1) This product uses a special-purpose modular connector for the cash drawer and customer display connector. Do not attempt to use other types of connectors such as public telephone connectors.

Ok! contact details

Ok! Systems (UK) Ltd

Blays House
Wick Road
Egham
Surrey
TW20 0HJ

Tel: +44 (0) 1784 274300
Fax: +44 (0) 1784 274301
http://www.oki.co.uk

Ok! Systems Ireland Limited

The Square Industrial Complex
Tallaght
Dublin 14

Tel: +353 (0) 1 4049590
Fax: +353 (0) 1 4049591
http://www.oki.ie

Ok! Systems Ireland Limited - Northern Ireland

19 Ferndale Avenue
Glengormley
BT36 5AL
Northern Ireland

Tel: +44 (0) 7767 271447
Fax: +44 (0) 1 404 9520
http://www.oki.ie

Technical Support for all Ireland:
Tel: +353 1 4049570
Fax: +353 1 4049555
E-mail: tech.support@oki.ie

Ok! Systems (Czech and Slovak), s.r.o.

Futurama Business Park -
Sokolovská 651/136A
186 00 Praha 8
Czech Republic

Tel: +420 224 890158
Fax: +420 22 232 6621
Website: www.oki.cz, www.oki.sk

Ok! Systems (Deutschland) GmbH

Hansaallee 187
40549 Düsseldorf

Tel: +49 (0) 211 / 5266-0
Fax: +49 (0) 211 59 33 45
Website: www.oki.deinfo@oki.de

Albania, Bosnia, Bulgaria, Croatia,
Cyprus, Estonia, Greece, Israel,
Latvia, Lithuania, Macedonia,
Romania, Serbia, Slovenia

CEE Export Group: Ok! Systems (Poland) Ltd

ul. Domaniewska 42
02-672 Warsaw
Poland

Tel: +48 (0) 22 448 65 00
Fax: +48 (0) 22 448 65 0
E-mail: tech@oki.com.pl

Ok! Systèmes (France) S.A.

Zone Silic - Immeuble Osaka
21 rue du Jura
CS 90277
94633 RUNGIS Cedex
Paris

Tél: Standard 0820 200 410
(0.09€/min depuis une ligne fixe*)
Hotline 01 76 54 21 50 (n° non
surtaxé)
Website: www.oki.fr

Ok! Systems (Magyarország) Kft.

Capital Square
Tower 2
7th Floor
H-1133 Budapest,
Váci út 76
Hungary

Telefon: +36 1 814 8000
Telefax: +36 1 814 8009
Website: www.okihu.hu

Ok! Systems (Italia) S.p.A.

via Milano, 11,
20084 Lacchiarella (MI)

Tel: +39 (0) 2 900261
Fax: +39 (0) 2 90026344
Website: www.oki.it

Ok! Systems (Polska) Sp. z o.o

Platinum Business Park II, 3rd
Floor
ul. Domaniewska 42
02-672 Warsaw
Poland

Tel: +48 22 448 65 00
Fax: +48 22 448 65 01
Website: www.oki.com.pl
E-mail: oki@oki.com.pl
Hotline: 0800 120066
E-mail: tech@oki.com.pl

Ok! Europe Limited, Sucursal em Portugal

Av. Quinta Grande 53
7° D Alfragide
2614-521 Amadora
Portugal

Tel: +351 21 470 4200
Fax: +351 21 470 4201
Website: www.oki.pt
E-mail : oki@oki.pt

Ok! Service Serviço de apoio técnico ao Cliente

Tel: 214 727 660
E-mail : okiserv@oki.pt

Ok! Systems Rus, LLC (Russia)

Sector B, 3rd Floor, Svyatogor-4
Business Center10/4, Letnikovskaya
str. 115114, Moscow

Tel: +7 495 276 5060
Fax: +7 495 258 6070
e-mail: info@oki.ru
Website: www.oki.ru

Technical support:
Tel: +7 495 564 8421
e-mail: tech@oki.ru

Ok! Systems (Österreich)

Campus 21
Businesszentrum Wien Sued
Liebermannstrasse A02 603
22345 Brun am Gebirge

Tel: +43 223 6677 110
Service-Hotline:
+43 (0) 2236/677 110-501
Website: www.oki.at

Ok! Europe Ltd. (Ukraine)

Raisy Opkinoy Street,8
Building B, 2nd Floor,
Kiev 02002
Ukraine

Tel: +380 44 537 5288
e-mail: event@oki.ua
Website: www.oki.ua

Ok! Sistem ve Yazıcı Çözümleri Tic. Ltd. Şti.

Harman sok Duran Is Merkezi,
No:4, Kat:6,
34394, Levent
İstanbul

Tel: +90 212 279 2393
Faks: +90 212 279 2366
Web: www.oki.com.tr

Ok! Systems (Belgium)

Medialaan 24
1800 Vilvoorde

Helpdesk: 02-2574620
Fax: 02 2531848
Website: www.oki.be

Ok! Systems (Denmark) a-s

Herstedøstervej 27
2620 Albertslund
Danmark

Adm.: +45 43 66 65 00
Fax: +45 43 66 65 90
E-mail: saig@oki.dk /
support@oki.dk
Website: www.oki.dk

Oki Systems (Finland) Oy

Polaris Capella
Vänrikinkuja 3
02600 Espoo

Tel: +358 (0) 207 900 800
Fax: +358 (0) 207 900 809
Website: www.oki.fi

Oki Systems (Holland) b.v.

Neptunstraat 27-29
2132 JA Hoofddorp

Helpdesk: 0800 5667654
Tel: +31 (0) 23 55 63 740
Fax: +31 (0) 23 55 63 750
Website: www.oki.nl

Oki Systems (Norway) AS

Tevlingveien 23
N-1081 Oslo

Tel: +47 (0) 63 89 36 00
Telefax: +47 (0) 63 89 36 01
Website: www.oki.no

Var vänlig kontakta din
Återförsäljare i första hand, för
konsultation. I andra hand kontakta

Oki Systems (Sweden) AB

Borgafjordsgatan 7
Box 1193
164 26 Kista

Tel. +46 (0) 8 634 37 00
e-mail: info@oki.se
Website: www.oki.se

Oki Systems (Schweiz)

Baslerstrasse 15
CH-4310 Rheinfelden

Support deutsch +41 61 827 94 81
Support français +41 61 827 94 82
Support italiano +41 061 827 9473

Tel: +41 61 827 9494
Website: www.oki.ch

Oki Data Americas Inc. (United States • États-Unis)

2000 Bishops Gate Blvd.
Mt. Laurel, NJ 08054
USA

Tel: 1-800-654-3282
Fax: 1-856-222-5247
<http://WWW.OKIPRINTINGSOLUTIONS.COM>
<http://my.okidata.com>

Oki Data Americas Inc. (Canada • Canadá)

4140B Sladeview Crescent Unit 7 & 8
Mississauga, Ontario
Canada L5L 6A1

Tél: 1-905-608-5000
Télé: 1-905-608-5040
<http://WWW.OKIPRINTINGSOLUTIONS.COM>

Oki Data Americas Inc. (Amérique Latine (OTRO))

2000 Bishops Gate Blvd.
Mt. Laurel, NJ 08054
USA

Tel (Español): 1-856-222-7496
1-856-222-5276
Fax: 1-856-222-5260
Email: LASatisfaction@okidata.com

Oki Data de Mexico, S.A. de C.V.

Mariano Escobedo #748, Piso 8
Col. Nueva Anzures
C.P. 11590, México, D.F.

Tel: 52-555-263-8780
Fax: 52-555-250-3501
<http://WWW.OKIPRINTINGSOLUTIONS.COM>

Oki Data do Brasil Informática Ltda.

Av. Alfredo Egidio de Souza Aranha,
100 - 5º Andar - Bloco C
Chácara Santo Antonio - São Paulo,
SP - Brasil
CEP: 04726-170

Tel: 55-11-3543-5500 (Grande São Paulo)
0800-11-5577 (Demais localidades)
Fax: 55-11-3444-3501
email: okidata@okidata.com.br
HTTP: www.okiprintingsolutions.com

Argentina/Chile/Paraguay/Perú/Uruguay**Oki Data Americas, Inc.**

Sucursal Argentina
Ugarte 3610 Piso 4° (1605) Olivos
Buenos Aires, Argentina

TEL: +54 11 5288 7500
Fax: +54 11 5288 7599

Colombia/Ecuador/Venezuela/Centroamérica y Caribe Oki Data Americas, Inc.

Sucursal Colombia
Carrera 13 #97-51, Oficina 101
Bogotá Colombia

TEL: +57 1 704 5159

Oki Data (Singapore) Pte. Ltd.

438A Alexandra Road #02-11/12,
Lobby 3, Alexandra Technopark
Singapore(119967)

Tel: (65) 6221 3722
Fax: (65) 6594 0609
<http://www.okidata.com.sg>

Oki Systems (Thailand) Ltd.

1168/81-82 Lumpini Tower,
27th Floor Rama IV Road
Tungmahamek, Sathorn
Bangkok 10120

Tel: (662) 679 9235
Fax: (662) 679 9243/245
<http://www.okisysthai.com>

Oki Data(Australia) Pty Ltd.

Level1 67 Epping Road, Macquarie
Park
NSW 2113, Australia

Tel: +61 2 8071 0000
(Support Tel: 1800 807 472)
Fax: +61 2 8071 0010
<http://www.oki.com.au>

OKI Data New Zealand

8 Antares Place Rosedale,
Auckland, 0632 New Zealand

Tel: (64) 9 477 0500
Fax: (64) 9 477 0549
<http://www.oki.co.nz/>

Oki Data(S) P Ltd. Malaysia Rep Office

Suite 21.03, 21st Floor Menara IGB,
Mid Valley City,
Lingkaran Syed Pura 59200,
Kuala Lumpur, Malaysia

Tel: (60) 3 2287 1177
Fax: (60) 3 2287 1166

PT340/341**Guide de l'utilisateur**

PRÉFACE

Tout a été mis en œuvre pour que les informations contenues dans ce document soient complètes, précises et à jour. Le fabricant décline toute responsabilité quant aux conséquences d'erreurs échappant à son contrôle. Le fabricant ne peut garantir que les changements dans les logiciels et les équipements d'autres fabricants et mentionnés dans ce manuel n'affectera pas l'applicabilité de l'information de celui-ci. La mention de produits logiciels fabriqués par d'autres entreprises ne constitue pas nécessairement l'approbation par le fabricant.

Toutes les mesures ont été prises pour que ce document vous apporte une aide précieuse, toutefois nous ne pouvons garantir qu'il traite dans son intégralité toutes les informations contenues.

Tous droits réservés par OKI Data Corporation. Vous ne devez pas effectuer une copie non autorisée, le transfert, la traduction, ou des actions apparentées. Vous devez obtenir l'accord écrit d'OkI Data Corporation avant de pouvoir effectuer une des actions mentionnées ci-dessus.

© 2013 Oki Data Corporation

OKI est une marque déposée de Oki Electric Industry Co., Ltd.

Energy Star est une marque de l'Agence de protection de l'environnement des États-Unis.

Microsoft, Windows, Windows Server et Windows Vista sont des marques déposées de Microsoft Corporation.

Apple, Macintosh, Rosetta, Mac et Mac OS sont des marques déposées de Apple Inc.

D'autres noms de produits et noms de fabriques sont des marques déposées ou marques déposées de leur propriétaire.



En tant que participant au programme Energy Star, le fabricant a déterminé que ce produit répond aux directives d'Energy Star concernant l'efficacité énergétique.



Ce produit est conforme aux exigences des directives du Conseil 2014/30/EU (EMC) et 2014/35/EU (LVD), 2014/53/EU (RED) et 2011/65/EU (RoHS), relatives à l'harmonisation des lois des pays membres de l'Union Européenne en matière de compatibilité électromagnétique, de basse tension, d'équipement radio et de télécommunication, de produits consommateurs d'énergie, de limitation de l'utilisation de certaines substances dangereuses dans les équipements électriques et électroniques.

Les câbles suivants ont été utilisés pour évaluer ce produit et obtenir la conformité avec la directive EMC le respect de normes 2014/30/EU et des configurations autres que celles-ci peuvent affecter leur respect.

TYPE DE CÂBLE	LONGUEUR (MÈTRE)	COEUR	BLINDAGE
Alimentation	2.0	×	×
USB	5.0	×	✓
Série (25pin)	15.0	×	✓
Série (9pin)	15.0	×	✓
LAN	5.0	×	×
Tiroir	1.8	×	×

AVERTISSEMENT! Il s'agit d'un produit de classe A conforme à la norme EN55022. Dans un environnement domestique, ce produit peut causer des perturbations radio, auquel cas il peut être demandé à l'utilisateur de prendre les mesures appropriées.

FABRICANT

OKI Data Corporation,
4-11-22 Shibaura, Minato-ku,
Tokyo 108-8551,
Japon

Pour toute question d'ordre général, sur les ventes et sur le support, contactez votre distributeur local.

IMPORTATEUR VERS L'UE/REPRÉSENTANT AGRÉÉ

OKI Europe Limited (Solutions pour l'impression OKI)

Blays House
Wick Road
Egham
Surrey, TW20 0HJ
Royaume Uni

Pour toute question d'ordre général, sur les ventes et sur le support, contactez votre distributeur local.

INFORMATIONS RELATIVES À L'ENVIRONNEMENT



À propos des logiciels open source utilisés par le modèle "PT340/PT341"

Le modèle "PT340/PT341" utilise des logiciels open source sous licence GNU GPL, LGPL, BSD et autres licences similaires.

Le texte complet des licences qui s'applique à ces logiciels est stocké dans le répertoire suivant.

Nom du lecteur : \Manual

License.txt

Description des symboles de sécurité affichés sur l'équipement







No.	Symbole	Description
1		« MARCHE » (alimentation) Pour indiquer la connexion à l'alimentation, au moins les interrupteurs principaux ou leurs positions.
2		Veille Pour identifier l'interrupteur ou la position de l'interrupteur avec pour connaître quelle partie de l'équipement est en marche afin de le mettre en mode veille.
3		Avertissement/Mise en garde général(e) Pour identifier un avertissement/mise en garde général(e).
4		Attention, surface chaude Pour indiquer que l'élément marqué peut être chaud et ne doit pas être touché sans prendre garde.
5		Courant continu Pour indiquer sur la plaque d'identification que l'équipement ne doit être branché que sur du courant continu ; pour identifier les bornes appropriées.
6		Courant alternatif Pour indiquer sur la plaque d'identification que l'équipement ne doit être branché que sur du courant alternatif ; pour identifier les bornes appropriées.

Table des matières

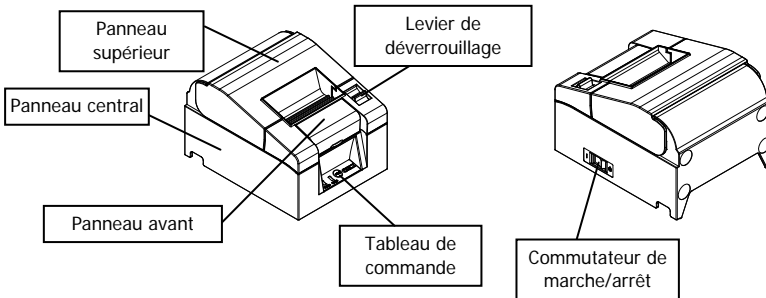
1. Aspect et nom des composants.....	5
1-1. Nom des composants.....	5
1-2. Contenu de l'emballage.....	6
2. Adaptateur CA.....	7
3. Caractéristiques du papier.....	8
3-1. Largeur du papier.....	8
3-2. Épaisseur du papier.....	8
3-3. Rouleau de papier.....	8
3-4. Papier thermique recommandé.....	9
4. Préparation.....	10
4-1. Branchement du câble d'interface (sur l'imprimante).....	11
4-2. Branchement du câble d'interface (sur le PC).....	13
4-3. Branchement du câble d'ouverture du tiroir.....	15
4-4. Branchement de l'adaptateur CA et du cordon d'alimentation.....	16
4-5. Débranchement de l'adaptateur CA.....	19
4-6. Installation de l'imprimante.....	20
4-7. Mise sous tension.....	24
4-8. Installation du logiciel de l'imprimante.....	25
5. Chargement du papier.....	26
5-1. Ouverture du panneau supérieur.....	26
5-2. Réglage de la largeur du papier (largeur : 58mm / 80mm).....	28
5-3. Chargement du papier.....	30
5-4. Fermeture du panneau supérieur.....	32
6. Tableau de commande.....	33
6-1. Tableau de commande.....	33
6-2. Indications d'erreurs.....	34
7. Prévention et élimination des bourrages papier.....	36
7-1. Prévention des bourrages papier.....	36
7-2. Élimination des bourrages papier.....	36
7-3. Si le panneau supérieur ne s'ouvre pas.....	37
8. Dépannage.....	40
8-1. Problèmes à la mise sous tension et autres erreurs.....	40
8-2. Problèmes de découpe.....	40
8-3. Problèmes d'impression.....	41
9. Mode spécial (essai d'impression, menu de configuration...).....	42
9-1. Essai d'impression.....	42

9-2. Modification de la configuration	44
9-3. Paramètres de configuration	54
9-4. Réglages de configuration LAN(Imprimantes avec interfaces série, USB et LAN)	60
9-5. Vidage HEX.....	63
9-6. Trace des commandes	64
9-7. Impression d'échantillons	65
10. Nettoyage régulier.....	70
10-1. Nettoyage du chariot et du mécanisme de transport du papier.....	70
10-2. Nettoyage du cylindre	71
10-3. Nettoyage de la tête thermique.....	72
11. Interface.....	73
11-1. Interface série	73
11-2. Interface USB	76
11-3. Interface LAN	76
11-4. Connecteur d'ouverture du tiroir	77
11-5. Caractéristiques de l'alimentation.....	79
12. Spécifications.....	80
12-1. Caractéristiques générales.....	80
12-2. Caractéristiques de l'élément de découpe	83
12-3. Caractéristiques des rouleaux de papier.....	83
12-4. Caractéristiques des interfaces.....	83
12-5. Caractéristiques environnementales.....	84
12-6. Caractéristiques de fiabilité	85
13. Précautions d'usage.....	86
13-1. Précautions concernant le papier	86
13-2. Précautions concernant l'élément de découpe	87
13-3. Précautions concernant l'impression de codes barres/codes 2D	87
13-4. Précautions liées à l'utilisation de l'interface USB.....	88
13-5. Précautions liées à l'utilisation de l'interface LAN	88
13-6. Précautions liées à l'installation.....	89
13-7. Précautions liées à l'utilisation du connecteur modulaire	89

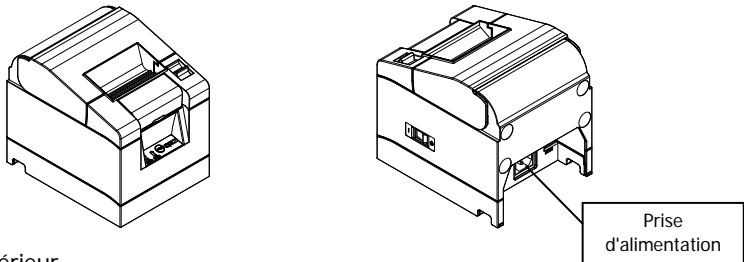
1. Aspect et nom des composants

1-1. Nom des composants

Modèle standard

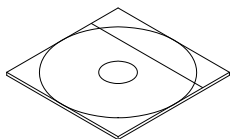


Modèle avec alimentation intégrée

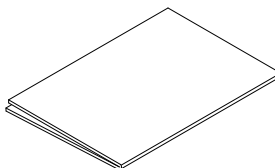


- Panneau supérieur
S'ouvre pour remplacer le papier.
- Levier de déverrouillage
Sert à ouvrir le panneau supérieur.
- Commutateur de marche/arrêt
Permet de mettre en marche/d'arrêter l'imprimante (ON/OFF).
- Tableau de commande
Comprend les boutons de commande de l'imprimante et les voyants qui indiquent l'état de l'imprimante.
- Panneau avant
Peut être enlevé en cas de bouchage à la découpe ou si le panneau supérieur ne s'ouvre pas.
- Prise d'alimentation
Branchez le cordon d'alimentation à cet endroit.

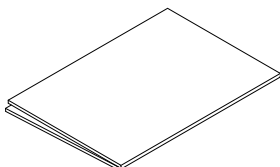
1-2. Contenu de l'emballage



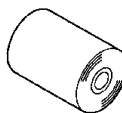
CD



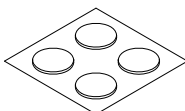
Mode d'emploi



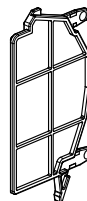
Garantie de sécurité



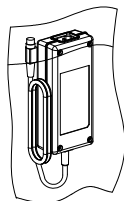
Papier thermique



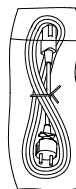
Pieds en caoutchouc
(Pour installation verticale)



Séparateur de 58mm



Adaptateur CA
(Modèle standard)



Cordon d'alimentation

2. Adaptateur CA

Utilisez uniquement l'adaptateur CA spécifié ci-dessous.

Élément	n°	Remarques
Adaptateur CA	KA02951-0120	Entrée : 100 à 240V CA, 50-60Hz Sortie : 24V $\pm 5\%$, 1,5A

⚠ Attention : Utilisez uniquement les adaptateurs CA autorisés.

⚠ Attention : N'utilisez l'adaptateur CA fourni avec aucun appareil électrique autre que cette imprimante.

3. Caractéristiques du papier

Utilisez uniquement le rouleau de papier thermique spécifié ci-dessous.

3-1. Largeur du papier

- 80mm $80mm_{-1,0}^0$
- 58mm $58mm_{-1,0}^0$

3-2. Épaisseur du papier

- 65 - 85µm

3-3. Rouleau de papier

- Diamètre extérieur : Ø83mm ou moins
- Diamètre du mandrin: Ø12±0,5mm (intérieur) / Ø18±0,5mm (extérieur)
- Surface d'impression : Surface extérieure du rouleau
- Traitement en fin de papier : Le rouleau de papier ne doit pas être collé au mandrin.
De plus, la fin du papier ne doit pas être repliée.

⚠ Attention : N'utilisez pas les rouleaux dont les bords sont rugueux ou sur lesquels des morceaux de papier dépassent. L'alimentation du papier pourrait être instable et entraîner des problèmes au niveau de l'imprimante.

3-4. Papier thermique recommandé

Fabricant	Nom du produit	Caractéristique de qualité	Épaisseur du papier	Densité
Oji Paper Co., Ltd.	PD160R	Papier thermique monochrome (type longue conservation)	75µm	100%
	PD190R	Papier thermique monochrome (type moyenne conservation)	75µm	100%
Nippon Paper Industries Co., Ltd.	TF60KS-E	Papier thermique monochrome (type normal)	75µm	100%
	TP60KS-F1	Papier thermique monochrome (type moyenne conservation)	75µm	100%
	TF50KS-E	Papier thermique monochrome (type normal)	65µm	100%
	TF62KS-E	Papier thermique monochrome (type normal)	85µm	100%

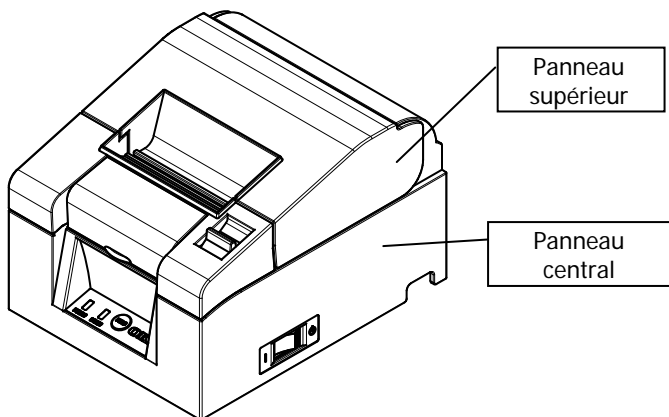
⚠ Attention : L'utilisation de papier non recommandé peut entraîner des dommages à la tête d'impression, une impression de mauvaise qualité, etc.

4. Préparation

Aucun câble d'imprimante n'est fourni avec le produit. Procurez-vous un câble d'imprimante adapté à l'interface du produit. Si vous avez des questions, contactez votre revendeur. Avant de brancher ou de débrancher les câbles, assurez-vous que :

- (1) L'alimentation de l'imprimante et de tous les autres appareils raccordés à l'imprimante est coupée.
- (2) Le cordon d'alimentation de l'adaptateur CA est débranché de la prise de courant.

⚠ Attention : Lorsque vous raccordez les câbles ou que vous déplacez l'imprimante, tenez la partie centrale du couvercle de l'imprimante des deux côtés. Si vous la tenez par le panneau supérieur, celui-ci risque de s'ouvrir.

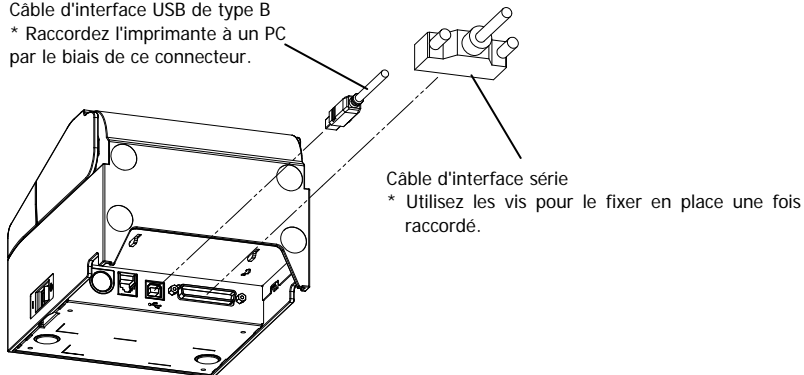


4-1. Branchement du câble d'interface (sur l'imprimante)

4-1-1 Imprimantes avec interfaces série et USB

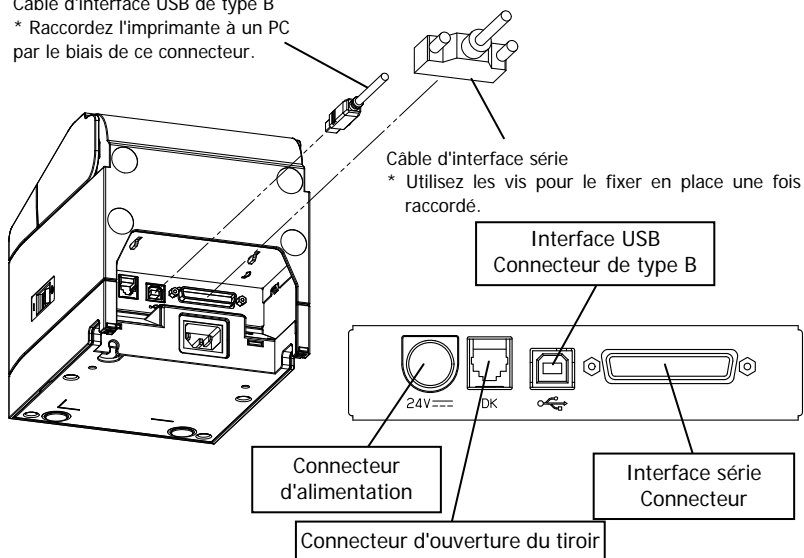
Modèle standard

Câble d'interface USB de type B
* Raccordez l'imprimante à un PC par le biais de ce connecteur.



Modèle avec alimentation intégrée

Câble d'interface USB de type B
* Raccordez l'imprimante à un PC par le biais de ce connecteur.

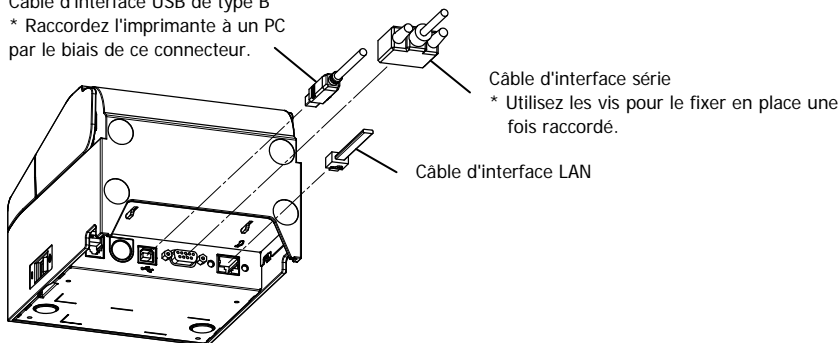


⚠ Attention : Ne raccordez pas les interfaces série et USB en même temps.

4-1-2 Imprimantes avec interfaces série, USB et LAN

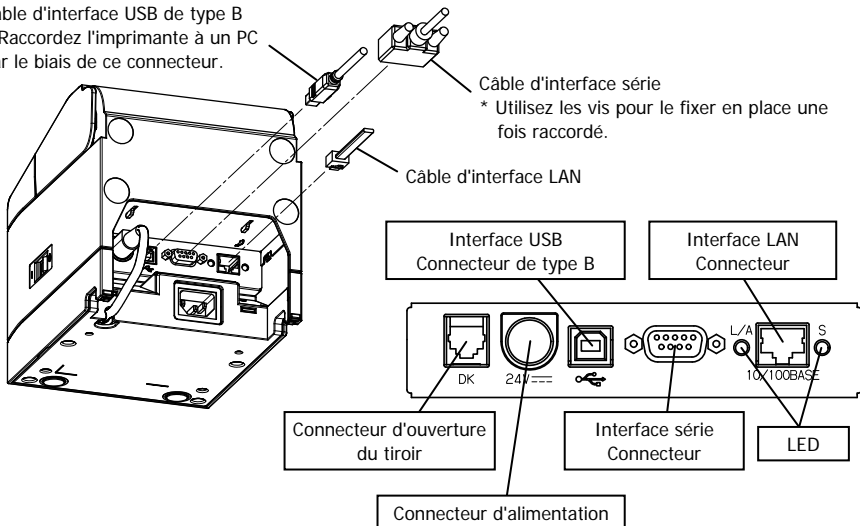
Modèle standard

Câble d'interface USB de type B
* Raccordez l'imprimante à un PC par le biais de ce connecteur.



Modèle avec alimentation intégrée

Câble d'interface USB de type B
* Raccordez l'imprimante à un PC par le biais de ce connecteur.

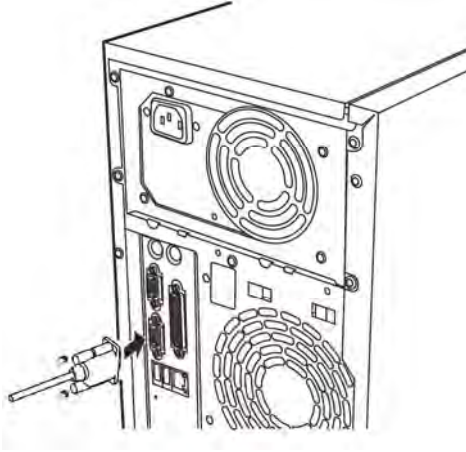


- ⚠ Attention : Impossible de connecter simultanément plusieurs interfaces.
- ⚠ Attention : Bien que cette imprimante prenne en charge 3 interfaces différentes, elle est configurée sur LAN Settings (Réglages LAN) lors de la livraison. Ainsi, si vous prévoyez d'utiliser les interfaces USB ou série, veillez à modifier les réglages avant toute utilisation. Pour en savoir plus sur la modification des réglages de configuration, voir "9-4. Réglages de configuration LAN".

4-2. Branchement du câble d'interface (sur le PC)

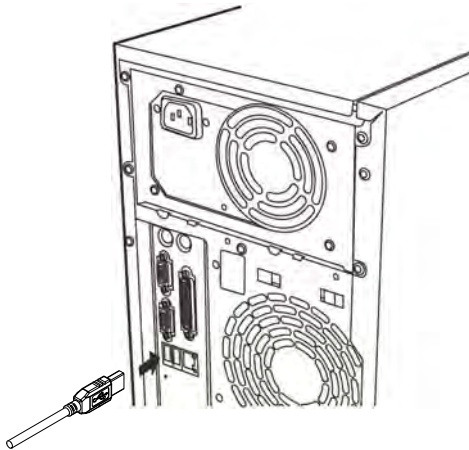
4-2-1 Interface série

- (1) Branchez le connecteur du câble d'interface série sur le port série de l'ordinateur comme indiqué sur la figure.



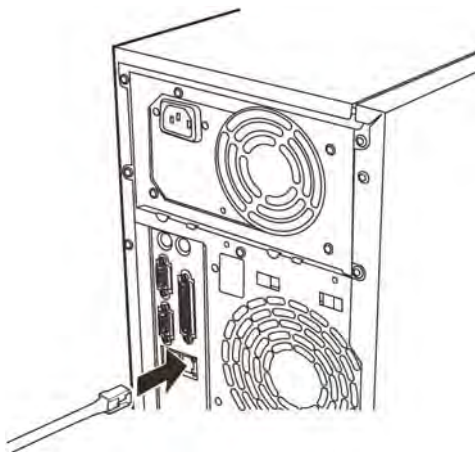
4-2-2 Interface USB

- (1) Branchez le connecteur du câble d'interface USB sur le port USB de l'ordinateur comme indiqué sur la figure.



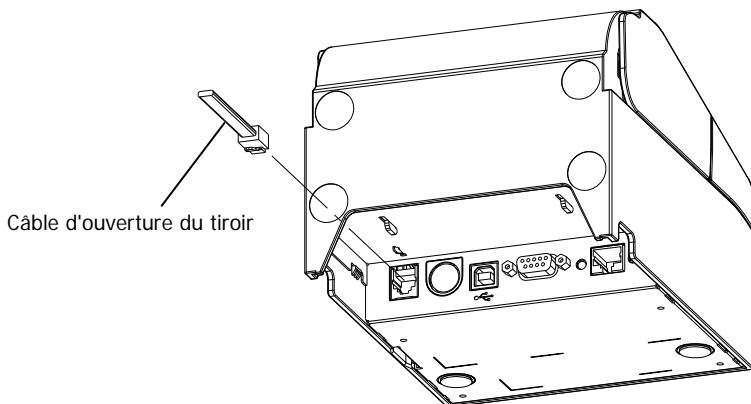
4-2-3 Interface LAN

- (1) Branchez le connecteur du câble d'interface LAN sur le port LAN de l'ordinateur comme indiqué sur la figure.

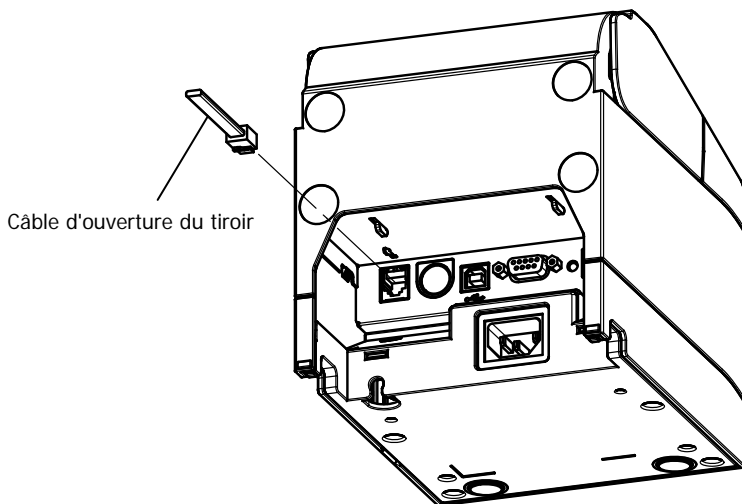


4-3. Branchement du câble d'ouverture du tiroir

Modèle standard



Modèle avec alimentation intégrée

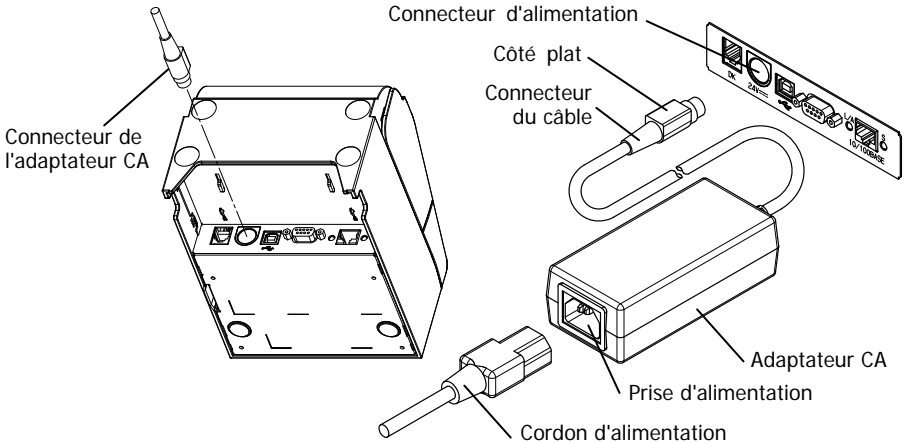


⚠ Attention : Ce produit utilise un connecteur modulaire spécial pour le tiroir-caisse. N'essayez pas d'utiliser d'autres types de connecteurs tels que les connecteurs de téléphone public.

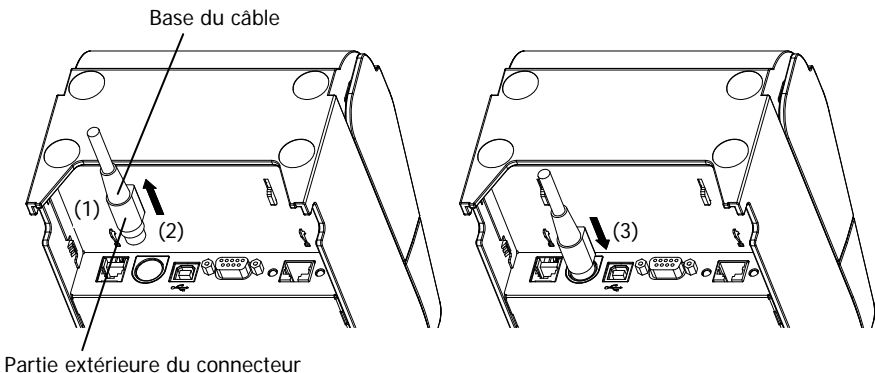
4-4. Branchement de l'adaptateur CA et du cordon d'alimentation

Modèle standard

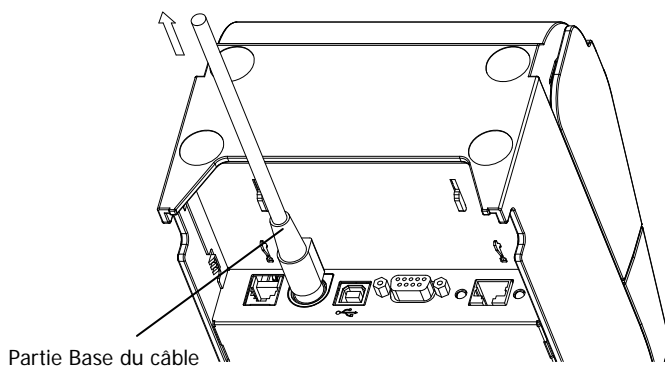
- (1) Branchez le connecteur du câble de l'adaptateur CA sur le connecteur d'alimentation.



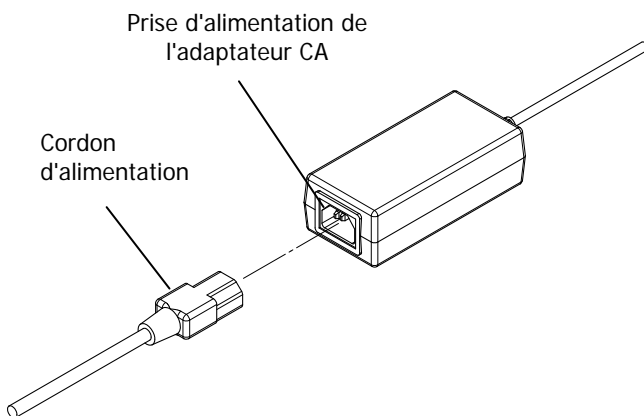
- ⚠ **Attention :** Avant de brancher l'adaptateur CA, coupez les commutateurs de marche/arrêt de l'imprimante et de tous les appareils raccordés à l'imprimante. Débranchez également la fiche du cordon d'alimentation de l'adaptateur CA de la prise de courant.
- ⚠ **Attention :** Utilisez les adaptateurs CA spécifiés.
- ⚠ **Attention :** Effectuez le branchement de l'adaptateur avec l'appareil à la verticale pour faciliter l'opération.
- ⚠ **Attention :** Le connecteur étant accroché après son insertion afin d'éviter qu'il ne tombe, lors de l'insertion, (1) tenez la base du câble d'une main, (2) faites glisser la partie extérieure du connecteur vers le haut avec l'autre main (3) et poussez jusqu'à ce qu'il soit fixé en place.



- (2) Confirmez que le câble est fixé en place en tirant doucement sur la base du câble une fois le raccordement effectué.



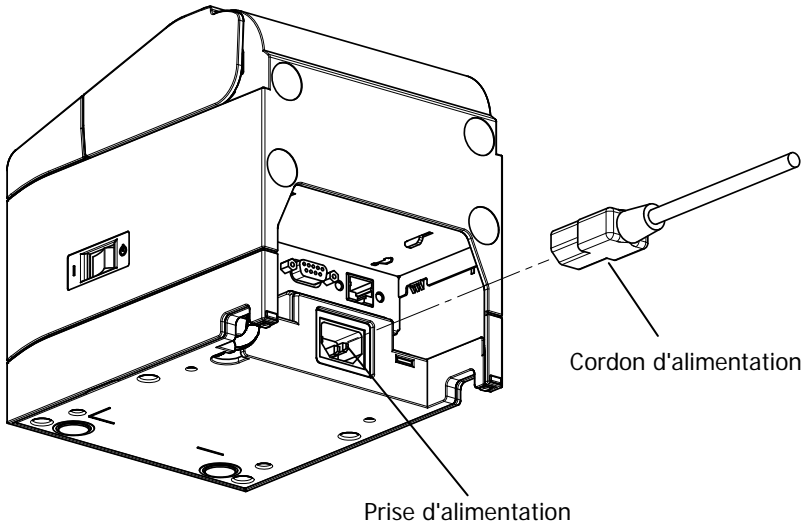
- (3) Branchez le connecteur d'alimentation sur la prise d'alimentation de l'adaptateur CA.



- (4) Branchez la fiche du cordon d'alimentation sur la prise de courant.

Modèle avec alimentation intégrée

(1) Branchez le connecteur d'alimentation sur la prise d'alimentation.

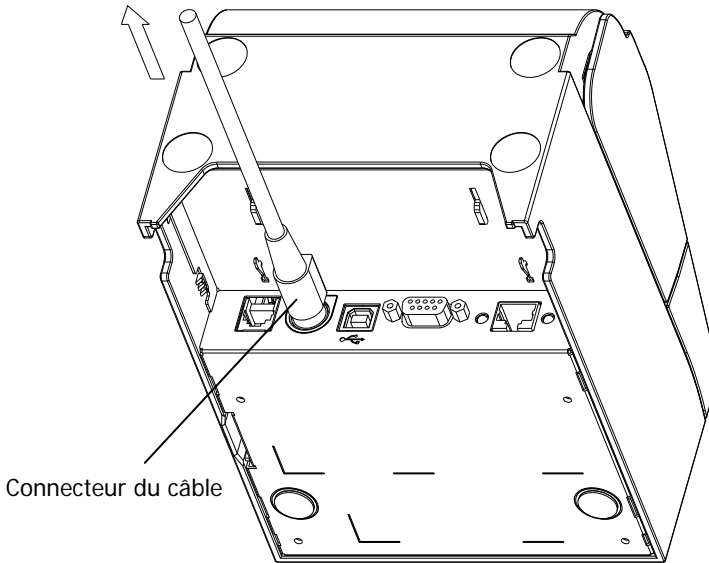


- ⚠ Attention :** Avant de brancher le cordon d'alimentation, coupez les commutateurs de marche/arrêt de l'imprimante et de tous les appareils raccordés à l'imprimante. Débranchez également la fiche du cordon d'alimentation de la prise de courant.
- ⚠ Attention :** Effectuez le branchement du cordon d'alimentation avec l'appareil à la verticale pour faciliter l'opération.
- ⚠ Attention :** Si l'appareil est installé à la verticale, utilisez un cordon d'alimentation à angle droit.

(2) Branchez la fiche du cordon d'alimentation sur la prise de courant.

4-5. Débranchement de l'adaptateur CA

Pour débrancher le câble de l'adaptateur CA, tirez dessus tout en tenant la partie du connecteur côté câble comme indiqué sur la figure suivante. Le dispositif de verrouillage se déclenche, ce qui facilite son débranchement. Tirer de force sur le câble risque d'endommager la partie connecteur.



- ⚠ Attention :** Avant de débrancher l'adaptateur CA, coupez les commutateurs de marche/arrêt de l'imprimante et de tous les appareils raccordés à l'imprimante. Débranchez également la fiche du cordon d'alimentation de l'adaptateur CA de la prise de courant.
- ⚠ Attention :** Effectuez le débranchement de l'adaptateur avec l'appareil à la verticale pour faciliter l'opération.

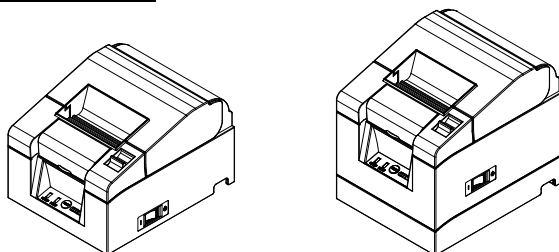
4-6. Installation de l'imprimante

L'installation peut se faire à l'horizontale (le papier sort par le haut) ou à la verticale (le papier sort par le devant).

Dans le cas d'une installation verticale, le montage du capot anti-éclaboussures permet de protéger l'imprimante contre les projections d'eau.

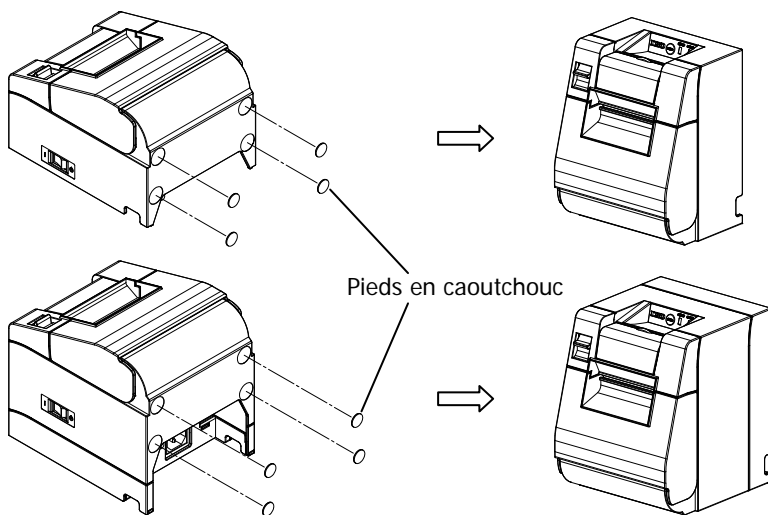
L'imprimante peut également être montée sur un mur grâce au support mural optionnel.

Installation horizontale



Installation verticale

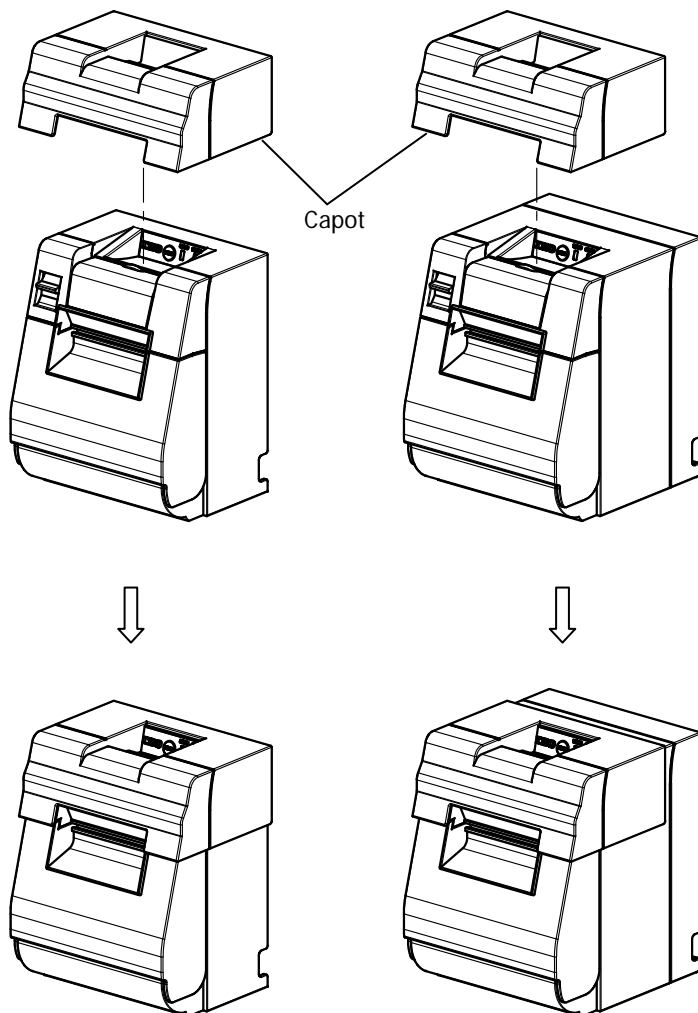
Si l'imprimante est installée à la verticale, collez les pieds en caoutchouc dans les renforcements circulaires situés sur le panneau arrière de l'imprimante.



⚠ Attention : Avant de coller les pieds en caoutchouc, essuyez la poussière à l'intérieur des renforcements.

Capot anti-éclaboussures (optionnel)

Montez le capot anti-éclaboussures sur la partie supérieure de l'imprimante si celle-ci est installée à la verticale.

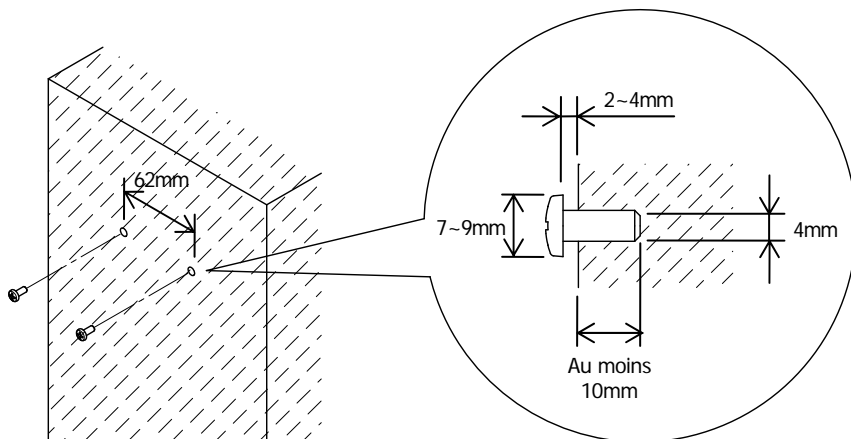


⚠ Attention : Le capot anti-éclaboussure s'utilise uniquement dans le cas d'une installation verticale.

Support mural (optionnel)

Pour monter l'imprimante sur un mur, suivez la procédure ci-dessous :

- (1) Fixez deux vis en métal (diamètre de la partie filetée : $\varnothing 4\text{mm}$, diamètre de la tête : $\varnothing 7\text{mm}$) sur le mur, en les espaçant de 62mm sur une ligne horizontale, de sorte que chaque vis pénètre dans le mur sur une longueur d'au moins 10mm et que leur partie visible dépasse de 2-4mm.

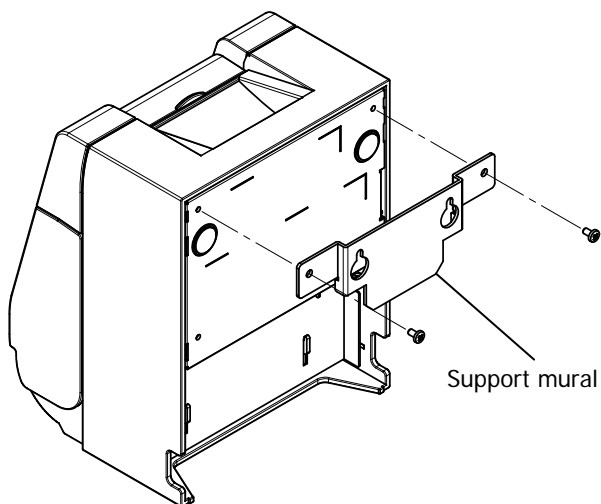


⚠ Attention : Pour fixer solidement l'imprimante, installez le support mural sur une paroi en bois, en béton ou en métal. Il est conseillé que l'épaisseur du mur soit d'au moins 10mm. Utilisez des vis en métal.

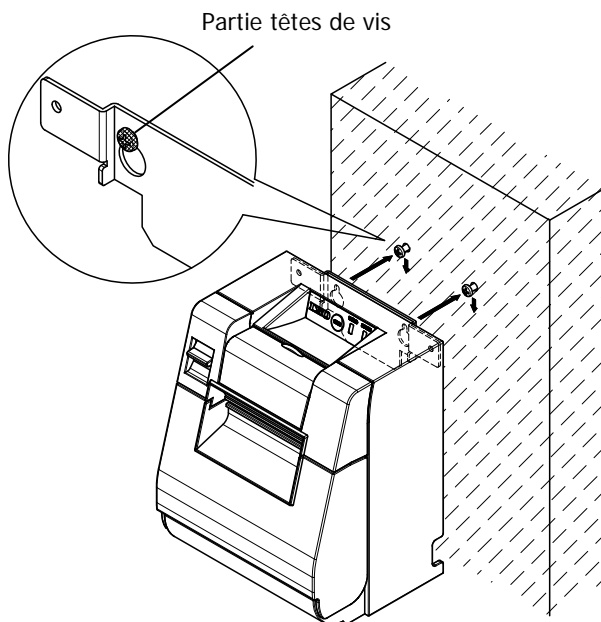
Les vis installées dans le mur doivent avoir une résistance à l'arrachement d'au moins 150N (15,3kgf).

⚠ Attention : Le montage mural n'est possible qu'avec les imprimantes qui utilisent un adaptateur CA externe (modèle standard).

- (2) Montez le support mural sur l'imprimante et fixez-le solidement à l'aide des vis fournies.



- (3) Aligner les trous du support mural à l'aide des vis installées dans le mur et accrochez solidement l'imprimante.



4-7. Mise sous tension

- (1) Branchez le cordon d'alimentation conformément au paragraphe 4-4 ci-dessus.
- (2) Mettez le commutateur de marche/arrêt sur On (marche) côté imprimante. Une fois la mise sous tension effectuée, le voyant d'alimentation (POWER) du tableau de commande s'allume.

Modèle standard

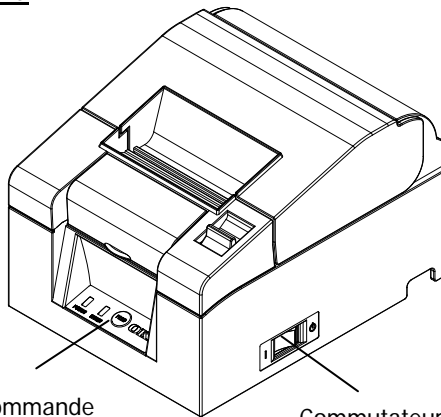


Tableau de commande

Commutateur de marche/arrêt

Modèle avec alimentation intégrée

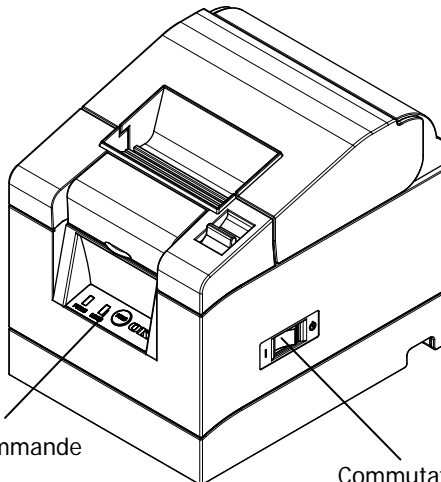


Tableau de commande

Commutateur de marche/arrêt

4-8. Installation du logiciel de l'imprimante

Reportez-vous au "Installation Guide" (Guide d'installation) (*1) du CD fourni pour les consignes d'installation du pilote de l'imprimante et des logiciels utilitaires.

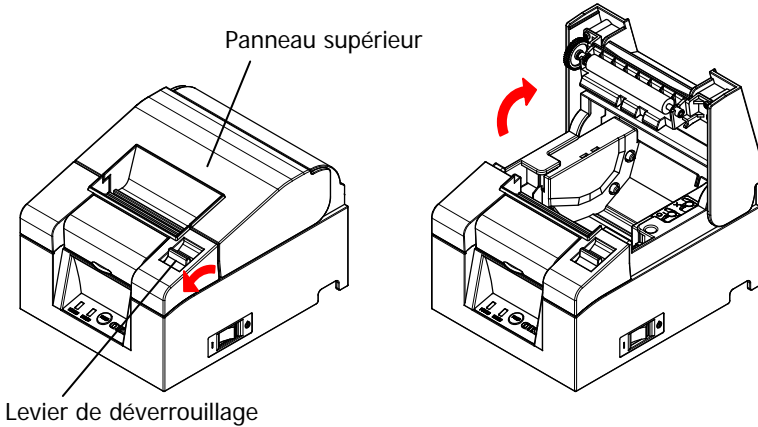
*1: \Manuals\PT340-341_InstallGuide_en.pdf

Il est également possible de consulter le "Installation Guide" (Guide d'installation) en chargeant le CD dans le lecteur CD de votre PC et en sélectionnant "Manuals" sur l'écran "Setup" qui s'affiche.

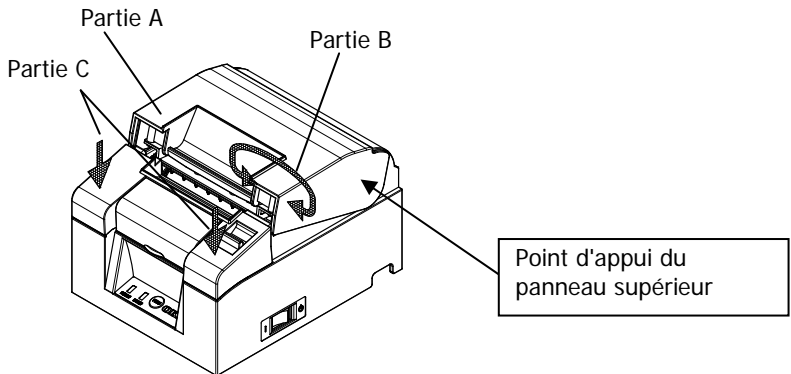
5. Chargement du papier

5-1. Ouverture du panneau supérieur

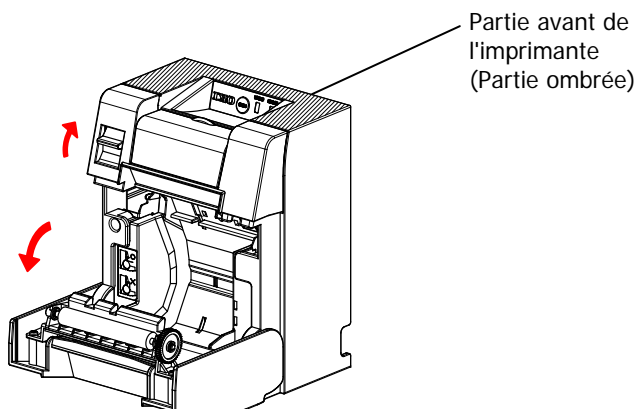
- (1) Tirez le levier de déverrouillage dans le sens de la flèche, puis ouvrez le panneau supérieur.



⚠ Attention : Soulevez le panneau jusqu'à ce qu'il soit à la verticale de sorte qu'il reste ouvert.



⚠ Attention : Pour ouvrir le panneau, utilisez l'un des côtés de la partie C pour tenir l'imprimante et la partie A ou B pour soulever le panneau. Pour éviter de vous coincer les doigts, évitez tout contact avec la zone située autour de la charnière du panneau supérieur.



⚠ Attention : Si vous utilisez l'imprimante à la verticale, tenez la partie avant de l'imprimante (partie ombrée sur la photo ci-dessus) pour ouvrir le panneau supérieur.

5-2. Réglage de la largeur du papier (largeur : 58mm / 80mm)

Le réglage d'usine pour la largeur du papier étant de 80mm, suivez les instructions du chapitre "5-3. Chargement du papier" pour installer le rouleau de papier si vous utilisez une largeur de papier de 80mm.

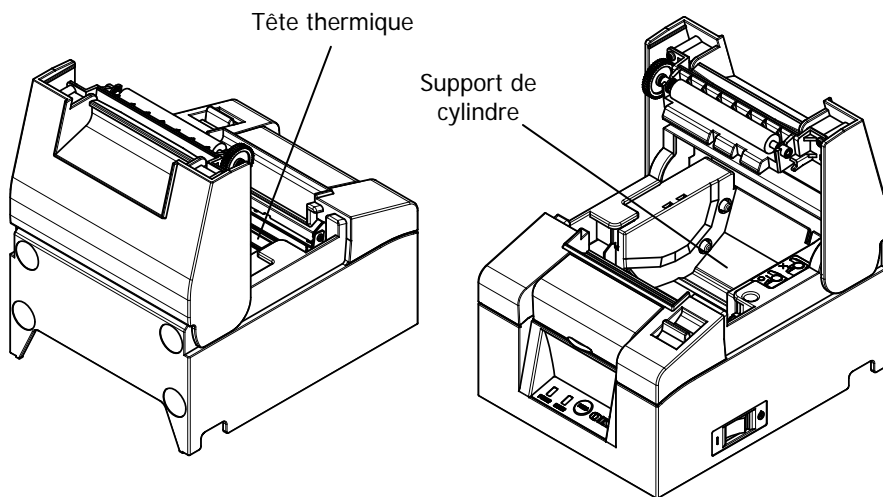
Si vous utilisez une largeur de papier de 58mm, montez d'abord le séparateur selon les instructions du chapitre "5-2-1. Montage du séparateur" puis installez le rouleau de papier.

Suivez également les instructions du chapitre "9-2. Modification de la configuration" pour régler la "Largeur du papier" dans la configuration de l'imprimante sur "58mm/35colonnes" ou "58mm/32colonnes".

⚠ Attention : Ne faites pas passer la largeur du papier de 58mm à 80mm durant une impression. Si vous utilisez du papier de faible largeur, une partie de la tête thermique risque d'entrer directement en contact avec le cylindre sans papier présent. Ceci provoque l'usure de la tête, et réduit la qualité d'impression.

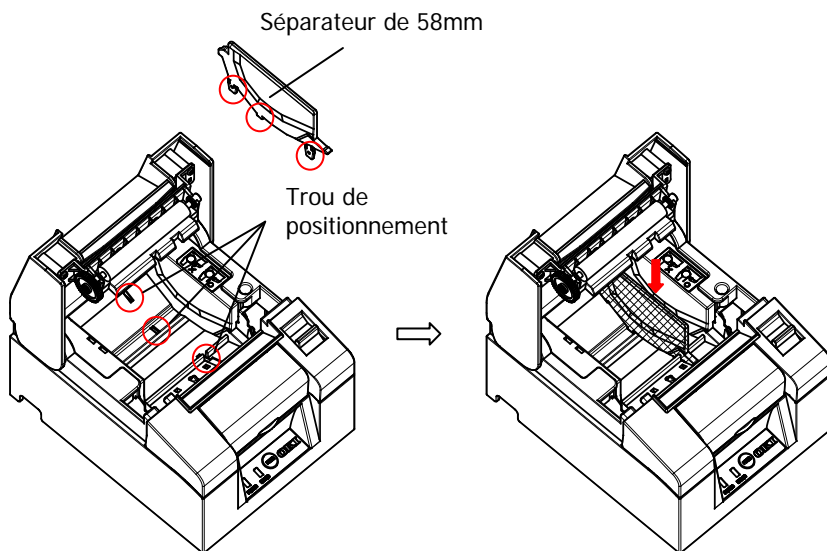
En outre, la lame de découpe opère également sur des sections dépourvues de papier, ce qui provoque l'usure de la lame et une découpe de mauvaise qualité.

⚠ Attention : La tête thermique étant sensible à l'électricité statique, ne la touchez que pour la nettoyer.



5-2-1 Montage du séparateur

- (1) Alignez les trois pattes du séparateur de 58mm fourni avec les trous correspondants sur le corps de l'imprimante, puis poussez pour le mettre en place.



- ⚠ **Attention :** Poussez la plaque jusqu'à ce qu'elle s'enclenche (déclit) et assurez-vous que le bord supérieur du séparateur est à l'horizontale.
- ⚠ **Attention :** Lorsque vous déplacez le séparateur, suivez les instructions du chapitre Mode spécial pour régler la largeur du papier et alignez-le avec la zone d'impression.
(Reportez-vous au chapitre 9 Mode spécial : 9-2. Modification de la configuration.)

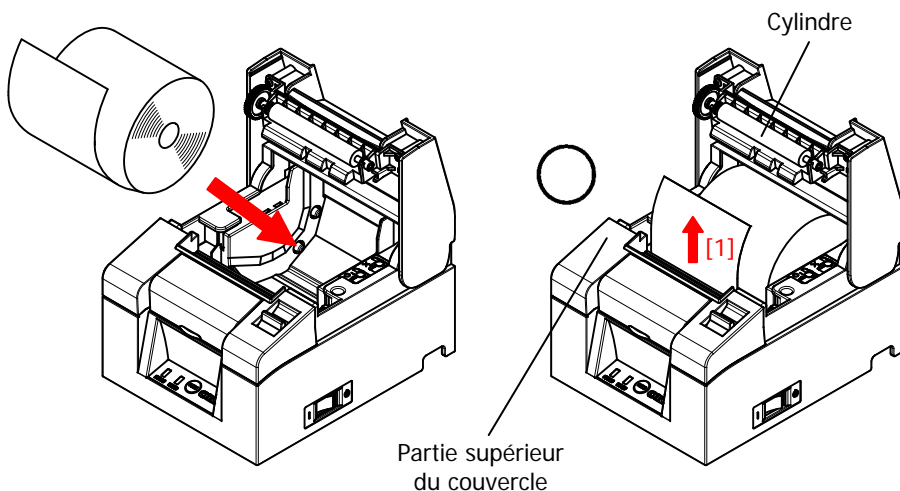
5-3. Chargement du papier

- (1) S'il s'agit d'un nouveau rouleau de papier, enlevez la partie collée et le ruban adhésif.

Lorsque vous remplacez le rouleau de papier, enlevez d'abord le mandrin de l'ancien rouleau.

⚠ Attention : La partie collée du papier ne devant être imprimée, enlevez environ un tour (environ 30cm) du rouleau de papier à partir du début de sorte qu'il n'y ait plus de papier recouvert de colle. Tout adhésif ou autre substance résiduelle de la colle pourrait se fixer sur la tête thermique et causer un problème, tel que des vides lors des impressions. Par conséquent, n'oubliez pas d'enlever la partie collée du papier.

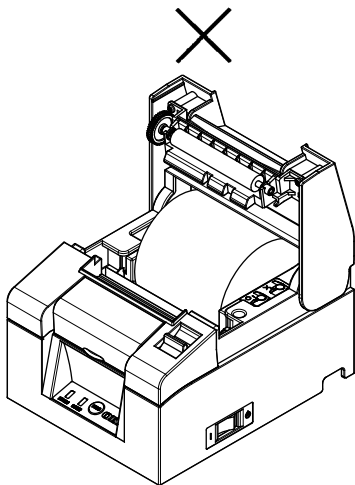
- (2) Après avoir inséré le nouveau rouleau de papier selon l'orientation indiquée, tirez l'extrémité du papier dans le sens indiqué par la flèche [1].



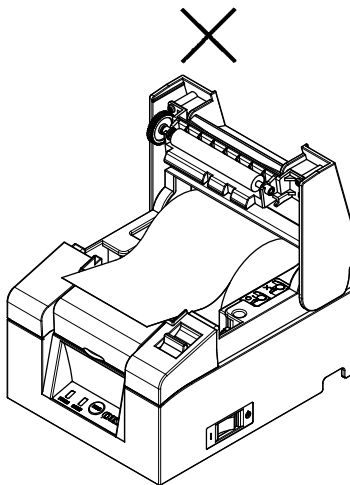
⚠ Attention : Tirez l'extrémité du papier de sorte qu'il passe par dessus le couvercle.

⚠ Attention : Évitez tout dommage ou entaille au niveau du cylindre. Toute entaille sur le cylindre provoquera des vides lors de l'impression et/ou des défauts de saut de ligne.

⚠ Attention : Charger le papier comme indiqué sur les figures suivantes peut provoquer un bouchage papier ou une mauvaise impression.

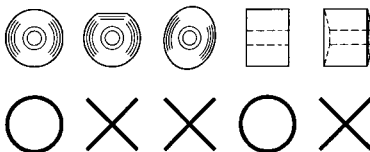


Le papier ne passe pas par dessus le couvercle.

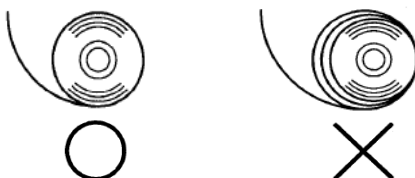


Le papier est mal chargé.

⚠ Attention : Évitez d'utiliser les rouleaux de papier déformés. L'utilisation de rouleaux tels que ceux représentés ci-dessous peut causer des problèmes tels qu'un bouchage papier ou une mauvaise impression.

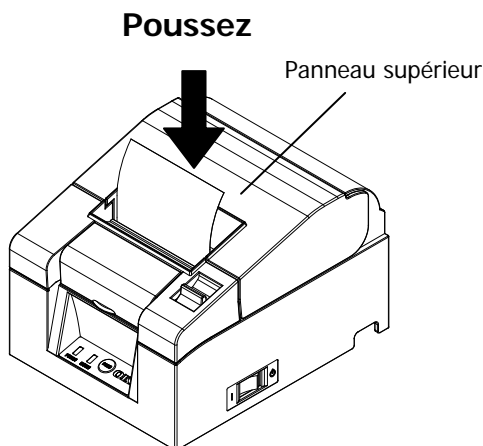


⚠ Attention : Si le rouleau de papier est détendu (mou), comme illustré ci-dessous, rattraper le mou avant de l'utiliser. L'utilisation du rouleau sans rattraper le mou pourrait provoquer des bouchages papier ou un défaut du détecteur presque fin de papier.

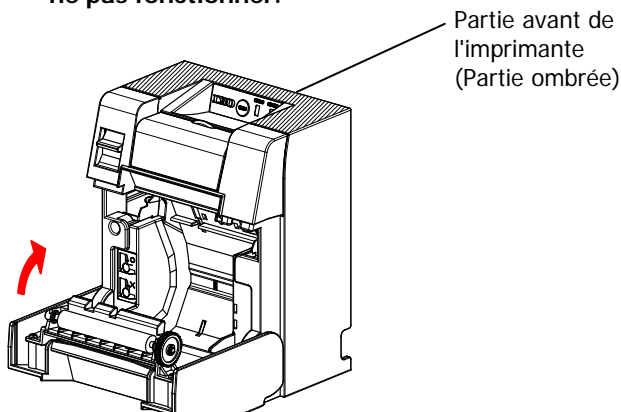


5-4. Fermeture du panneau supérieur

Chargez le papier correctement et fermez soigneusement le panneau supérieur.



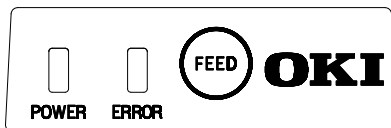
- ⚠ **Attention :** Chargez le papier correctement. Si vous fermez le panneau supérieur alors que le papier est de travers, cela risque de provoquer un bouchage papier ou une mauvaise impression.
- ⚠ **Attention :** Quand vous fermez le panneau supérieur, veillez à bien le fermer en appuyant sur la partie centrale (indiquée par une flèche sur la figure) jusqu'au déclic. Si le couvercle n'est pas bien fermé, l'imprimante risque de ne pas fonctionner.



- ⚠ **Attention :** Si l'imprimante est installée à la verticale, tenez l'imprimante par la partie avant (partie ombrée sur la photo ci-dessus) quand vous ouvrez le panneau supérieur.

6. Tableau de commande

6-1. Tableau de commande



Voyant d'alimentation POWER (●)

Si le commutateur de marche/arrêt est en position de marche et que l'imprimante est sous tension, ce voyant s'allume.

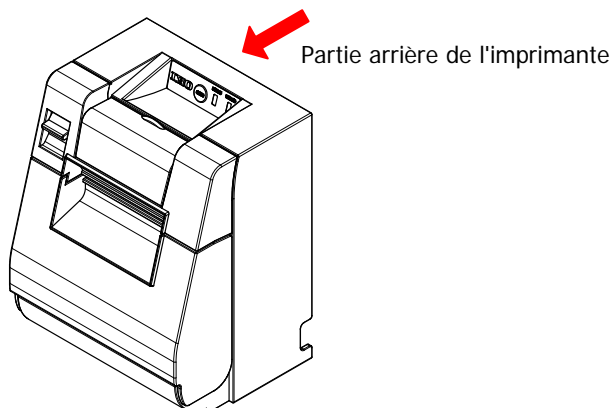
Voyant d'erreur ERROR (●)

Ce voyant s'allume ou clignote en cas d'erreur.

Voyant d'alimentation papier (FEED)

Si vous appuyez une fois sur ce bouton, l'imprimante fait avancer le papier d'une ligne.

Si vous le maintenez enfoncé, elle fait avancer le papier en continu.


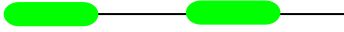


⚠ Attention : Si l'imprimante est installée à la verticale, tenez systématiquement l'imprimante par la partie arrière quand vous appuyez sur le bouton d'alimentation papier afin de stabiliser l'imprimante et d'éviter qu'elle ne chute.

6-2. Indications d'erreurs

Erreurs récupérables

État de l'erreur	Voyant LED	Mode de clignotement
Pas de papier Fin de papier	POWER (●)	Allumé en continu
	ERROR (●)	Allumé en continu
Panneau ouvert	POWER (●)	Allumé en continu
	ERROR (●)	Allumé en continu
Bourrage découpe	POWER (●)	Allumé en continu
	ERROR (●)	Allumé en continu

État de l'erreur	Voyant LED	Mode de clignotement
Presque fin de papier	POWER (●)	Allumé en continu
	ERROR (●)	
Tête chaude	POWER (●)	
	ERROR (●)	● Reste inchangé.

Erreurs irrécupérables

État de l'erreur	Voyant LED	Mode de clignotement
Erreur interne	POWER (●)	—●—●—
	ERROR (●)	●—————
		Répétition de deux clignotements du voyant ● et d'un clignotement du voyant ●
Tête non installée	POWER (●)	—●—●—●—
	ERROR (●)	●—————
		Répétition de trois clignotements du voyant ● et d'un clignotement du voyant ●
Tension basse	POWER (●)	—●—●—●—●—
	ERROR (●)	●—————
		Répétition de quatre clignotements du voyant ● et d'un clignotement du voyant ●
Surtension	POWER (●)	—●—●—●—●—●—
	ERROR (●)	●—————
		Répétition de cinq clignotements du voyant ● et d'un clignotement du voyant ●
Erreur de l'horloge de surveillance	POWER (●)	—●—●—●—●—●—●—●—
	ERROR (●)	●—————
		Répétition de huit clignotements du voyant ● et d'un clignotement du voyant ●
Erreur de la ROM Flash SPI	POWER (●)	—●—●—●—●—●—●—●—●—
	ERROR (●)	●—————
		Répétition de neuf clignotements du voyant ● et d'un clignotement du voyant ●

7. Prévention et élimination des bourrages papier

7-1. Prévention des bourrages papier

Ne touchez pas le papier pendant qu'il sort ou avant que la découpe ne soit terminée.

Si vous appuyez ou tirez sur le papier avec la main pendant qu'il sort, cela risque de provoquer un bourrage papier, une mauvaise découpe ou un défaut de saut de ligne.

7-2. Élimination des bourrages papier

En cas de bourrage papier, enlevez le papier comme suit :

- (1) Coupez le commutateur de marche/arrêt afin de mettre l'imprimante hors tension.
- (2) Tirez le levier de déverrouillage vers vous, puis ouvrez le panneau supérieur. Si le panneau supérieur ne s'ouvre pas, reportez-vous aux instructions du chapitre "7-3. Si le panneau supérieur ne s'ouvre pas" pour éliminer le bourrage à la découpe.
- (3) Appuyez sur l'imprimante et éliminez le bourrage papier.

⚠ Attention : Lorsque vous enlevez le papier, faites-le lentement, sans tirer de force.

⚠ Attention : La tête thermique étant sensible à l'électricité statique, ne la touchez pas. En outre, évitez de toucher la tête thermique car elle risque d'être encore chaude après l'impression.

- (4) Chargez le papier correctement et fermez soigneusement le panneau supérieur.

⚠ Attention : Chargez le papier correctement. Si vous fermez le panneau supérieur alors que le papier est de travers, cela risque de provoquer un bourrage papier ou une mauvaise impression.

⚠ Attention : Quand vous fermez le panneau supérieur, veillez à bien le fermer en appuyant sur la partie centrale jusqu'au déclic. Si le couvercle n'est pas bien fermé, l'imprimante risque de ne pas fonctionner.

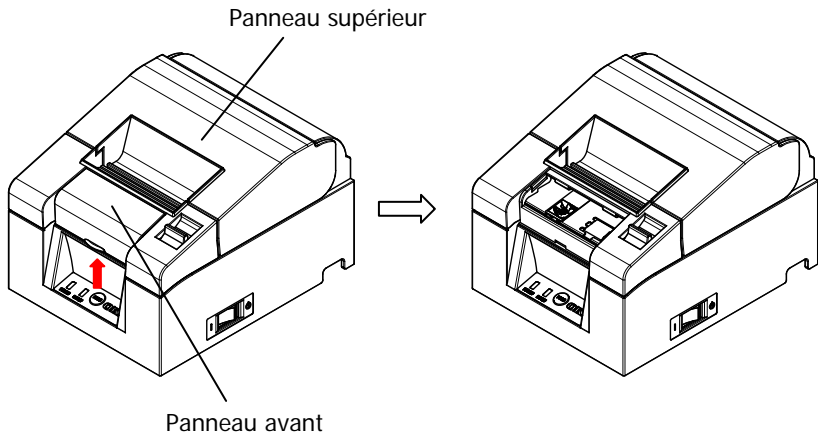
- (5) Mettez le commutateur de marche/arrêt sur On (marche) pour mettre l'imprimante sous tension. À ce moment, vérifiez également que le voyant ERROR est éteint.

⚠ Attention : Les données d'impression ne pouvant être reçues si le voyant ERROR est allumé, veillez à bien fermer le panneau supérieur.

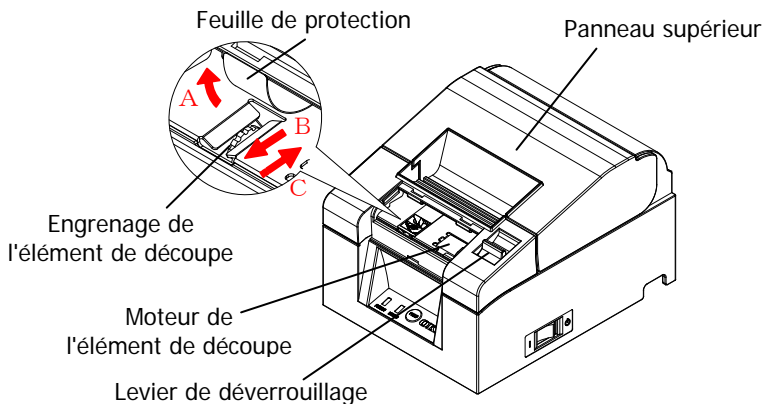
7-3. Si le panneau supérieur ne s'ouvre pas

Si l'imprimante s'arrête avec la lame de découpe exposée en raison d'une anomalie, telle qu'un bouchage papier, le panneau supérieur ne s'ouvrira pas. Dans un tel cas, plutôt que de l'ouvrir de force, procédez comme suit :

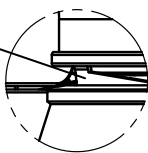
- (1) Coupez le commutateur de marche/arrêt afin de mettre l'imprimante hors tension.
- (2) Remettez l'alimentation en marche. Ceci permet d'actionner l'élément de découpe et peut éliminer le bouchage papier.
- (3) Tirez le levier de déverrouillage vers vous pour vérifier si le panneau supérieur s'ouvre. Si tel est le cas, coupez de nouveau l'alimentation et suivez les instructions de l'étape (6) pour éliminer le bouchage papier.
Si le panneau supérieur ne s'ouvre toujours pas après la mise sous tension, coupez de nouveau l'alimentation et suivez les instructions de l'étape (4) pour éliminer le bouchage papier.
- (4) Enlevez le panneau avant en le soulevant comme indiqué par la flèche.



- (5) Soulever la feuille de protection, comme indiqué par la flèche A et faites tourner l'engrenage de l'élément de découpe dans le sens indiqué par la flèche B, tout en tirant le levier de déverrouillage vers vous. Si la lame de découpe automatique ne bouge pas malgré la rotation de l'engrenage de l'élément de découpe et que le couvercle ne s'ouvre toujours pas, tirez le levier de déverrouillage vers vous et faites tourner l'engrenage de l'élément de découpe dans le sens opposé (indiqué par la flèche C) jusqu'à ce que le panneau supérieur s'ouvre.

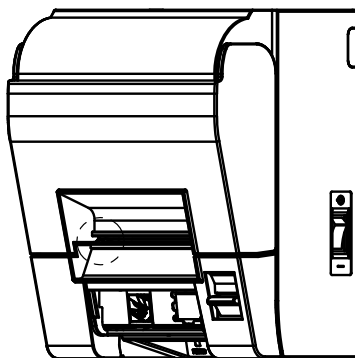


La lame de découpe automatique dépasse



Le panneau supérieur ne peut pas s'ouvrir

La lame de découpe automatique est rétractée



Le panneau supérieur peut s'ouvrir

- ⚠ **Attention :** Ne touchez pas le moteur de l'élément de découpe car il risque d'être encore chaud après l'impression.
- ⚠ **Attention :** Ne touchez pas l'élément de découpe automatique car sa lame est tranchante et dangereuse.
- ⚠ **Attention :** Si vous ne pouvez pas ouvrir le couvercle supérieur alors que l'engrenage de l'élément de découpe tourne dans les deux sens, faites appel au S.A.V.

(6) Ouvrez le panneau supérieur et éliminez le bourrage papier tout en tenant l'imprimante.

⚠ Attention : Lorsque vous enlevez le papier, faites-le lentement, sans tirer de force.

⚠ Attention : La tête thermique étant sensible à l'électricité statique, ne la touchez pas. En outre, évitez de toucher la tête thermique car elle risque d'être encore chaude après l'impression.

(7) Chargez le papier correctement et fermez soigneusement le panneau supérieur.

⚠ Attention : Chargez le papier correctement. Si vous fermez le panneau supérieur alors que le papier est de travers, cela risque de provoquer un bourrage papier ou une mauvaise impression.

⚠ Attention : Quand vous fermez le panneau supérieur, veillez à bien le fermer en appuyant sur la partie centrale jusqu'au déclic. Si le couvercle n'est pas bien fermé, l'imprimante risque de ne pas fonctionner.

(8) Mettez le commutateur de marche/arrêt sur On (marche) et mettez l'imprimante sous tension. À ce moment, vérifiez également que le voyant ERROR est éteint.

⚠ Attention : Les données d'impression ne pouvant être reçues si le voyant ERROR est allumé, veillez à bien fermer le panneau supérieur.

8. Dépannage

Ce chapitre fournit des solutions aux dysfonctionnements de l'imprimante et aux problèmes liés à la qualité d'impression.

8-1. Problèmes à la mise sous tension et autres erreurs

Symptôme	Cause	Solution
Bien que la mise sous tension ait été faite, le voyant d'alimentation (POWER) du tableau de commande ne s'allume pas et l'imprimante ne démarre pas.	(1) Le cordon d'alimentation est débranché. (2) L'adaptateur CA n'est pas branché	(1) Branchez le cordon d'alimentation. * Reportez-vous au chapitre 4-4. Branchement de l'adaptateur CA et du cordon d'alimentation. (2) Branchez le connecteur de l'adaptateur CA. * Reportez-vous au chapitre 4-4. Branchement de l'adaptateur CA et du cordon d'alimentation.
Le voyant ERROR du tableau de commande s'allume et l'imprimante ne fonctionne pas.	(1) Le papier n'est pas chargé. (2) Le panneau supérieur n'est pas bien fermé. (3) La tête thermique est en surchauffe.	(1) Chargez le papier. * Reportez-vous au chapitre 5. Chargement du papier. (2) Veillez à bien fermer le panneau supérieur. * Reportez-vous au chapitre 5. Chargement du papier. (3) Attendez que la tête thermique refroidisse.

8-2. Problèmes de découpe

Symptôme	Cause	Solution
Le papier n'est pas coupé.	(1) La lame de l'élément de découpe est endommagée ou usée. (2) Des fragments de papier ou autres corps étrangers sont coincés au niveau de l'élément de découpe ou de la partie coulissante.	(1) Coupez l'alimentation et faites réparer. (2) Enlevez les fragments de papier ou autres corps étrangers.
L'élément de découpe ne revient pas à la bonne position.	Des fragments de papier ou autres corps étrangers sont coincés au niveau de l'élément de découpe ou de la partie coulissante.	Enlevez les fragments de papier ou autres corps étrangers.

8-3. Problèmes d'impression

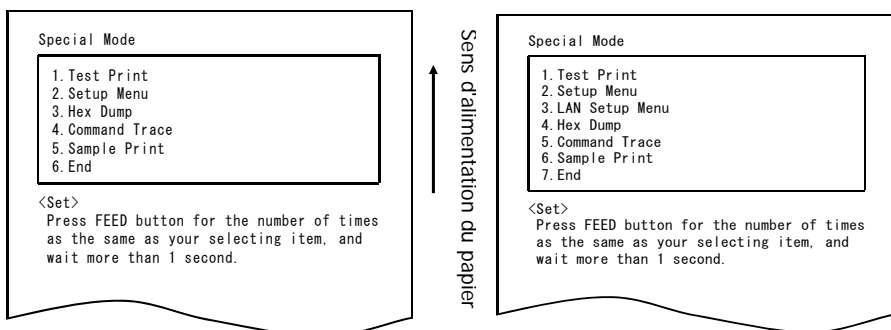
Symptôme	Cause	Solution
L'imprimante n'imprime pas.	<p>(1) Le câble d'interface est débranché ou rompu.</p> <p>(2) L'imprimante est mal configurée.</p>	<p>(1) Branchez correctement le câble d'interface, ou remplacez-le. * Reportez-vous au chapitre 4-1. Branchement du câble d'interface</p> <p>(2) Modifiez la configuration Exemple : Discordance des débits * Reportez-vous au chapitre 9-2,9-4. Modification de la configuration.</p>
L'impression est trop sombre ou floue.	<p>(1) Le réglage de la densité d'impression dans la configuration de l'imprimante est incorrect.</p> <p>(2) La tête thermique est endommagée.</p>	<p>(1) Configurez l'imprimante à la densité d'impression et/ou vitesse d'impression adaptée au papier. * Reportez-vous au chapitre 9-2. Modification de la configuration.</p> <p>(2) Coupez l'alimentation et faites réparer.</p>
L'impression est à peine visible.	<p>(1) Le réglage de la densité d'impression dans la configuration de l'imprimante est incorrect.</p> <p>(2) La tête thermique est endommagée.</p>	<p>(1) Configurez l'imprimante à la densité d'impression et/ou vitesse d'impression adaptée au papier. * Reportez-vous au chapitre 9-2. Modification de la configuration.</p> <p>(2) Coupez l'alimentation et faites réparer.</p>
L'impression est irrégulière.	<p>(1) Des fragments de papier ou autres corps étrangers sont collés sur les éléments chauffants de la tête thermique.</p> <p>(2) L'imprimante est mal configurée.</p> <p>(3) Des corps étrangers sont collés sur le cylindre.</p> <p>(4) La tête thermique est endommagée.</p>	<p>(1) Examinez et nettoyez la tête thermique. * Reportez-vous au chapitre 10-3. Nettoyage de la tête thermique</p> <p>(2) Configurez l'imprimante à la densité d'impression et/ou vitesse d'impression adaptée au papier. Modifiez la configuration. * Reportez-vous au chapitre 9-2. Modification de la configuration.</p> <p>(3) Enlevez les corps étrangers du cylindre. * Reportez-vous au chapitre 10-2. Nettoyage du cylindre</p> <p>(4) Coupez l'alimentation et faites réparer.</p>
Des marques verticales apparaissent à l'impression.	<p>(1) Des corps étrangers sont coincés ou sont tombés dans le mécanisme de transport du papier.</p> <p>(2) Des corps étrangers sont collés sur la tête thermique.</p> <p>(3) La tête thermique est endommagée.</p>	<p>(1) Nettoyez le mécanisme de transport du papier. * Reportez-vous au chapitre 10-1. Nettoyage du chariot et du mécanisme de transport du papier.</p> <p>(2) Nettoyez la tête thermique. * Reportez-vous au chapitre 10-3. Nettoyage de la tête thermique</p> <p>(3) Coupez l'alimentation et faites réparer.</p>

9. Mode spécial (essai d'impression, menu de configuration...)

9-1. Essai d'impression

Assurez-vous que le papier est chargé dans l'imprimante. Coupez le commutateur de marche/arrêt de l'imprimante, puis remettez-le en position On (marche) tout en appuyant sur le bouton d'alimentation papier (FEED) sur le tableau de commande. Ceci imprime le document suivant.

⚠ Attention : Appuyez sur le bouton d'alimentation papier (FEED) et maintenez-le enfoncé jusqu'à ce que l'imprimante commence à imprimer.



Imprimantes avec interfaces
série et USB

Imprimantes avec interfaces
série, USB et LAN

Appuyer sur le bouton FEED **une fois** (pour sélectionner 1. Test Print) lance un essai d'impression.

L'imprimante coupe automatiquement le papier et s'arrête après avoir effectué un volume fixe d'impression. Pour arrêter l'essai d'impression en cours, appuyez sur le bouton FEED. Ceci permet de couper le papier et d'arrêter l'impression.

Essai d'impression (exemple)

Le numéro et la version du Firmware varient selon le modèle.
 "123456" est un exemple de numéro de série.

```

PT340-341 Ver1.0
123456

Memory Switch 1
Power On Status      Enable
Receive Buffer       4KByte
Busy Condition      Bufferfull
Receive Error       ?Print
Auto LF             Disable
DSR(#6)Reset        Disable
INIT(#25)Reset      Disable
USB Soft Reset      Enable

Memory Switch 2
Cover Open Error    Auto Recovery
Error               Auto Recovery
Batch (COM IF)      Enable
Batch (Other IF)    Disable
Serial Number       Disable
ASB                 Enable
Font-B              Mode1

Print
Paper Width         80mm/48columns
Max Speed           220mm/s
Print Density       100%

Hardware
Error Alert         None
Buzzer Interval     Pattern 2
Buzzer Repetition   Three
Graph/User NV-MEM   384KB/192KB
Cut at CoverClose   Disable
PNE Detect           Enable

Interface
Baudrate            115200BPS
Format               8NONE1
Protocol             DSR/DTR
USB                  Printer

! ~ # $ % & ' ( ) * + , - . / 0 1 2 3 4
5 6 7 8 9 : ; < = > ? @ A B C D E F G H I
J K L M N O P Q R S T U V W X Y Z [ \ ] ^
_ ~ a b c d e f g h i j k l m n o p q r s
    
```

Imprimantes avec interfaces
série et USB

Sens d'alimentation du papier

```

PT340-341 Ver2.0
123456

Memory Switch 1
Power On Status      Enable
Receive Buffer       4KByte
Busy Condition      Bufferfull
Receive Error       ?Print
Auto LF             Disable
DSR(#6)Reset        Disable
USB Soft Reset      Enable

Memory Switch 2
Cover Open Error    Auto Recovery
Error               Auto Recovery
Batch (COM IF)      Enable
Batch (Other IF)    Disable
Serial Number       Disable
ASB                 Enable
Font-B              Mode1

Print
Paper Width         80mm/48columns
Max Speed           220mm/s
Print Density       100%

Hardware
Error Alert         None
Buzzer Interval     Pattern 2
Buzzer Repetition   Three
Graph/User NV-MEM   384KB/192KB
Cut at CoverClose   Disable
PNE Detect           Enable

Interface
Baudrate            115200BPS
Format               8NONE1
Protocol             DSR/DTR
USB                  Printer

LAN
Mac Address          [xx:xx:xx:xx:xx:xx]
root Password        "*****"
Printer Name         "PT340-341"
DHCP                 Enable
IP Address           192.168. 1. 1
Subnet Mask          255.255.255. 0
Default Gateway      0. 0. 0. 0

SNMP
Authentic Community "*****"
Trap Community       "public"
Trap Address(IP)     0. 0. 0. 0
SysContact           ""
SysName              ""
SysLocation          ""
EnableAuthenTrap     Disable(2)

! ~ # $ % & ' ( ) * + , - . / 0 1 2 3 4
5 6 7 8 9 : ; < = > ? @ A B C D E F G H I
J K L M N O P Q R S T U V W X Y Z [ \ ] ^
_ ~ a b c d e f g h i j k l m n o p q r s
    
```

Imprimantes avec interfaces série, USB et LAN

9-2. Modification de la configuration

Ce chapitre explique comment configurer l'imprimante sans se servir d'un PC. Autrement, si l'imprimante est connectée à un PC sous Windows, les paramètres peuvent être modifiés à l'aide de l'utilitaire présent sur le CD fourni. Pour les instructions concernant l'installation et l'utilisation de l'utilitaire, consultez le "Installation Guide" (Guide d'installation) et le "Utility User's Guide" (Guide de l'utilisateur d'utilitaires) situés dans le répertoire "Manuals" du CD.

- Guide d'installation : PT340-341_InstallGuide_en.pdf
- Guide de l'utilisateur d'utilitaires : PT340-341_UtilityGuide_en.pdf

Il est également possible de consulter le "Installation Guide" (Guide d'installation) et le "Utility User's Guide" (Guide de l'utilisateur d'utilitaires) en chargeant le CD dans le lecteur CD de votre PC et en sélectionnant "Manuals" sur l'écran "Setup" qui s'affiche.

Exemple de réglage Sélectionnez une densité d'impression plus élevée

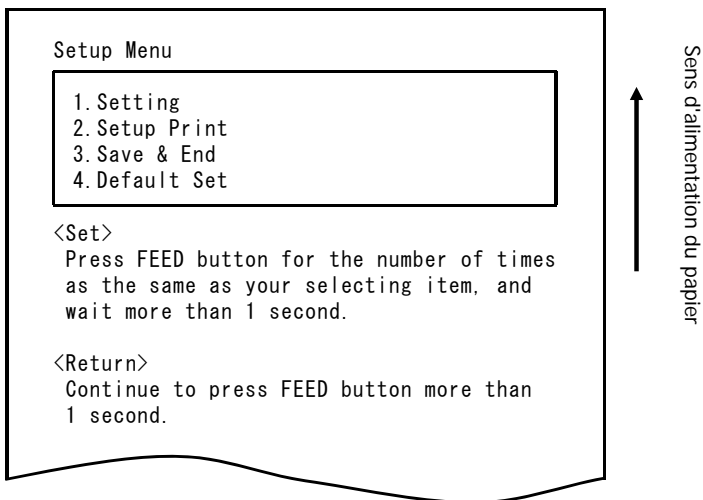
Densité d'impression Modifiée de 100% à 130%

Effectuez le réglage comme suit :

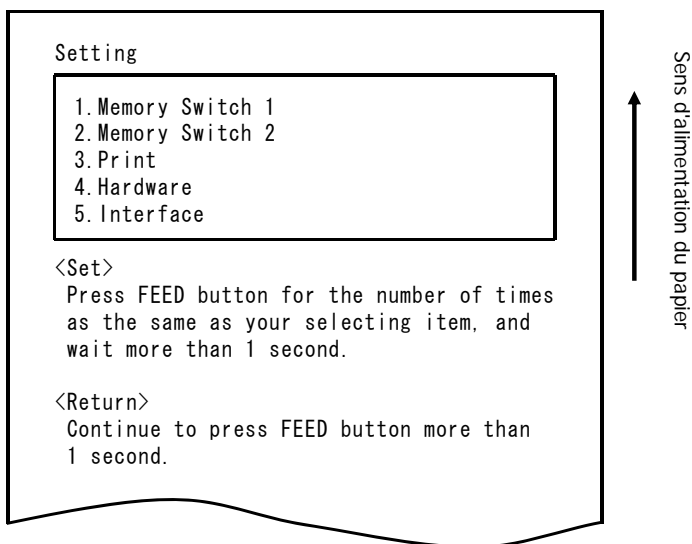
1. Vérifiez l'état de l'imprimante avant d'effectuer le réglage.
 - (1) L'alimentation est coupée.
 - (2) Le rouleau de papier est chargé.
 - (3) Le couvercle est fermé.

2. Assurez-vous que le papier est chargé dans l'imprimante. Coupez le commutateur de marche/arrêt de l'imprimante, puis remettez-le en position On (marche) tout en appuyant sur le bouton d'alimentation papier (FEED) sur le tableau de commande. Ceci imprime le document illustré au chapitre 9-1.

Appuyer sur le bouton FEED **deux fois** (pour sélectionner 2. Setup Menu) permet d'accéder au mode de configuration et d'imprimer le menu suivant.



3. **Appuyer** sur le bouton FEED **une fois** (pour sélectionner 1. Setting) permet d'accéder au mode de réglage et d'imprimer les groupes de paramètres suivants.



4. **Appuyer** sur le bouton FEED **trois fois** (pour sélectionner 3. Print) permet de sélectionner le groupe d'impression et d'imprimer les options de réglage suivantes.

Print

1. Paper Width	80mm/48columns
2. Max Speed	220mm/s
3. Print Density	100%

<Set>
Press FEED button for the number of times as the same as your selecting item, and wait more than 1 second.

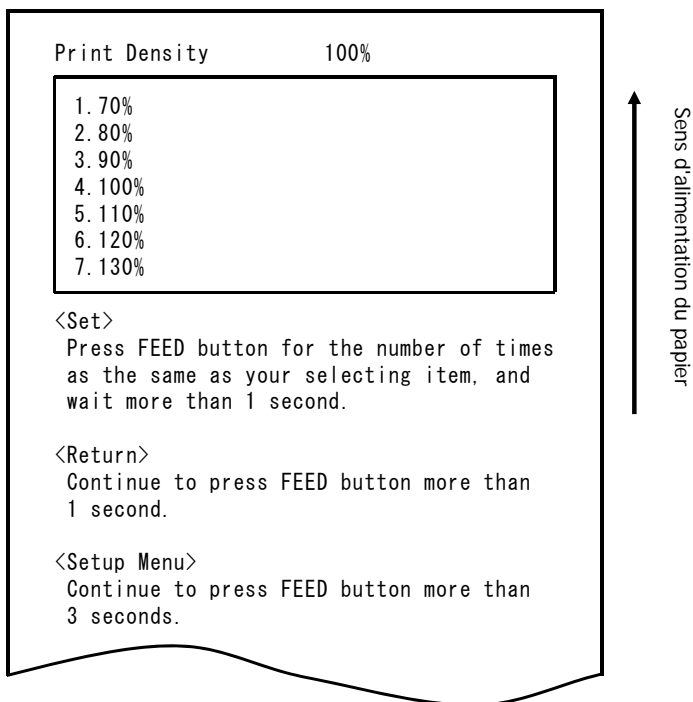
<Return>
Continue to press FEED button more than 1 second.

<Setup Menu>
Continue to press FEED button more than 3 seconds.



Sens d'alimentation du papier

5. **Appuyer** sur le bouton FEED **trois fois** (pour sélectionner 3. Print Density) permet de sélectionner la densité d'impression et d'imprimer les réglages de densité d'impression suivants.



The diagram shows a printer's menu screen with the following content:

Print Density 100%

1. 70%

2. 80%

3. 90%

4. 100%

5. 110%

6. 120%

7. 130%

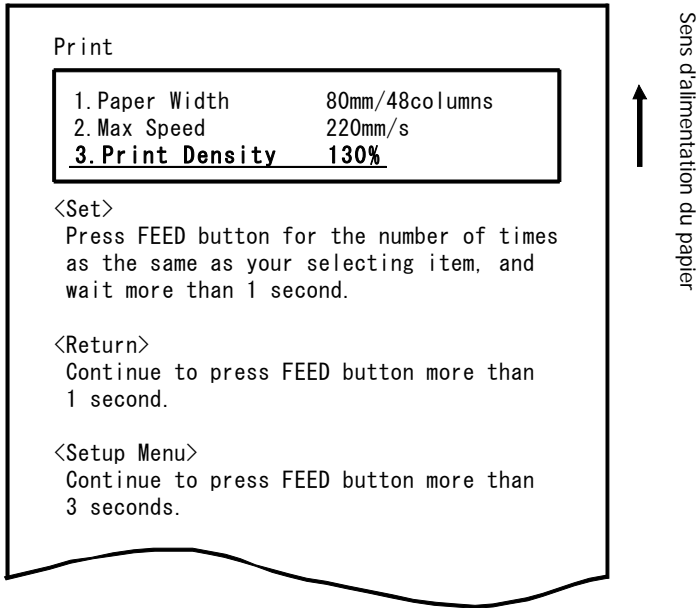
<Set>
Press FEED button for the number of times as the same as your selecting item, and wait more than 1 second.

<Return>
Continue to press FEED button more than 1 second.

<Setup Menu>
Continue to press FEED button more than 3 seconds.

↑
Sens d'alimentation du papier

6. **Appuyer** sur le bouton FEED **sept fois** (pour sélectionner 7. 130%) permet de revenir au groupe des réglages d'impression.
Les éléments modifiés s'affichent en caractères gras et soulignés.



Pour revenir au niveau précédent (<Return>)
Reportez-vous au chapitre 7-1

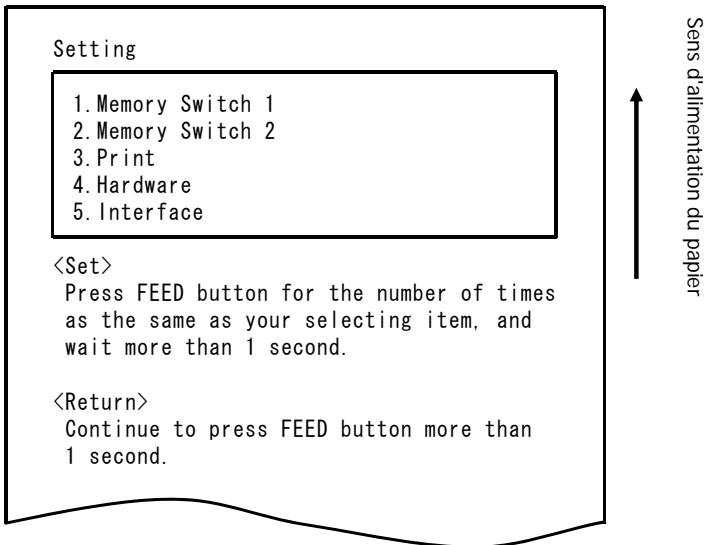
Pour aller directement au menu de configuration (<Setup Menu>)
Reportez-vous au chapitre 7-2

7-1. Revenir au niveau précédent

Appuyez sur le bouton FEED pendant **au moins 1 seconde** jusqu'à ce que deux signaux sonores soient émis.

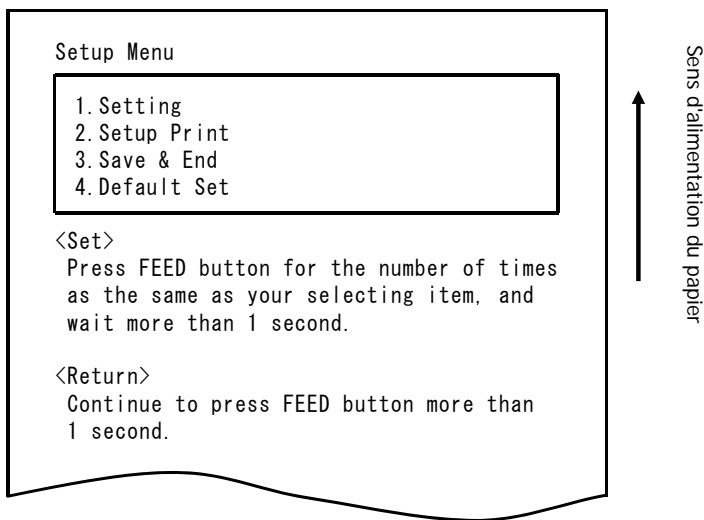
Relâchez le bouton FEED après le signal sonore.

Ceci permet de revenir au niveau précédent et d'imprimer les options du groupe de réglages.



Appuyez de nouveau sur le bouton FEED pendant **au moins 1 seconde** jusqu'à ce que deux signaux sonores soient émis. Relâchez le bouton FEED après le signal sonore.

Ceci permet de revenir au niveau précédent et d'imprimer le menu de configuration.



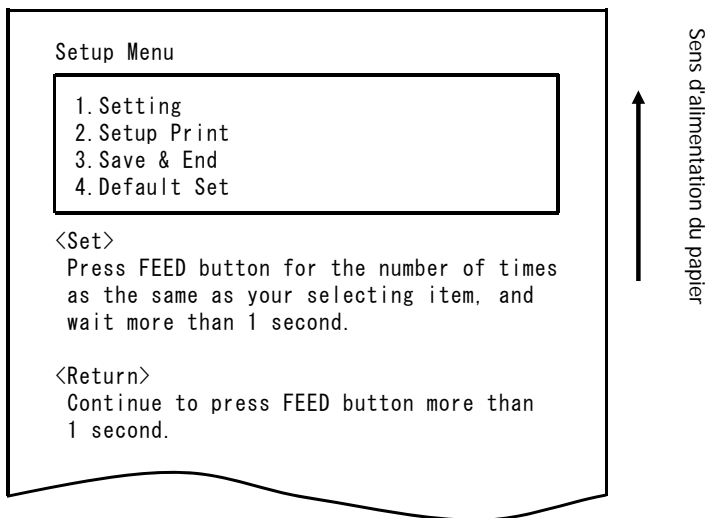
Passez à l'étape 8.

7-2. Aller directement au menu de configuration

Appuyez sur le bouton FEED pendant **au moins 3 secondes** pour revenir au menu de configuration.

Bien que le fait de maintenir le bouton FEED enfoncé émet deux signaux sonores après 1 seconde, ignorez ceci et continuer d'appuyer sur le bouton FEED.

Après environ 3 secondes, trois signaux sonores sont émis et le menu suivant s'imprime.



Passez à l'étape 8.

8. Appuyer sur le bouton FEED **trois fois** (pour sélectionner 3. Save & End) permet d'enregistrer les réglages , de couper le papier et de quitter le menu de configuration.

⚠ Attention : Si vous mettez le commutateur de marche/arrêt de l'imprimante en position Off (arrêt) sans sélectionner "Save & End", aucun changement ne sera enregistré.

● **Vérification des réglages**

Pour vous assurer que les réglages ont été appliqués, suivez les instructions du chapitre 9.1 pour effectuer un essai d'impression.

L'essai d'impression inclut la liste des réglages de l'imprimante.

Servez-vous de cette liste pour confirmer vos changements.

9-3. Paramètres de configuration

Paramétrage des groupes

Groupe de paramètres		Description
1	Memory Switch 1	Paramètres du commutateur de mémoire 1
2	Memory Switch 2	Paramètres du commutateur de mémoire 2
3	Print	Paramètres d'impression
4	Hardware	Paramètres du matériel
5	Interface	Paramètres des interfaces série et USB (Ce groupe ne s'affiche pas sur les imprimantes munies d'une interface LAN).

Éléments de réglage et éléments de réglage détaillés

(Note) Les éléments de configuration et les valeurs par défaut dépendent du modèle d'imprimante et/ou de la zone.

(1) Memory Switch 1 Group (Groupe du commutateur de mémoire 1)

Élément		Description	Valeur de réglage	
1	Power On Status	Indique que l'alimentation est en marche.	1	Enable (Activer)
			2	Disable (Désactiver)
2	Receive Buffer	Définit la taille de la mémoire tampon du récepteur	1	45bytes
			2	4Kbytes
3	Busy Condition	Définit l'imprimante comme BUSY (réception de données indisponible).	1	Buffer full (Mémoire tampon pleine)
			2	Offline/Buffer full (Hors ligne/Mémoire tampon pleine)
4	Receive Error	Précise ce qu'il faut faire si une erreur se produit en utilisant l'interface série.	1	Print (Imprimer)
			2	Ignore (Ignorer)
5	Auto LF	Précise si le code CR génère un saut de ligne automatique.	1	Enable (Activer)
			2	Disable (Désactiver)
6	DSR(#6) Reset	Précise si la réception d'une commande DSR (#6) via l'interface série déclenche une réinitialisation matérielle.	1	Enable (Activer)
			2	Disable (Désactiver)
7	INIT(#25) Reset	Précise si la réception d'une commande INIT (#25) via l'interface série déclenche une réinitialisation matérielle.	1	Enable (Activer)
	*1		2	Disable (Désactiver)

Élément		Description	Valeur de réglage	
8	USB Soft Reset	Précise si un redémarrage à chaud via USB déclenche une réinitialisation matérielle si une imprimante de classe USB est utilisée.	1	Enable (Activer)
			2	Disable (Désactiver)

*1 "INIT(#25) Reset"

Seulement Imprimantes avec interfaces série et USB

(2) Memory Switch 2 Group (Groupe du commutateur de mémoire 2)

Élément		Description	Valeur de réglage	
1	Cover Open Error	Méthode de correction de l'erreur d'ouverture du couvercle pendant l'impression	1	Auto Recovery (Reprise automatique)
			2	Recovery by CMND (Reprise par CMND)
2	Error	Que faire lors de la mise sous tension ou après une reprise suite à une erreur "Auto Recovery" Effectuez une reprise automatique pour activer la réception de données. "Recovery by CMND" : Rejetez toute les données reçues jusqu'à ce qu'une commande de réinitialisation soit reçue.	1	Auto Recovery (Reprise automatique)
			2	Recovery by CMND (Reprise par CMND)
3	Batch (COM IF)	Précise s'il faut faire une impression par lots pour l'interface série	1	Enable (Activer)
			2	Disable (Désactiver)
4	Batch (Other IF)	Précise s'il faut faire une impression par lots pour l'interface USB ou LAN	1	Enable (Activer)
			2	Disable (Désactiver)
5	Serial Number	Précise la notification d'iNuméro de série pour USB " Disable" : Renvoie "0" comme iNuméro de série. " Enable" : Renvoie le numéro de série de fabrication comme iNuméro de série.	1	Enable (Activer)
			2	Disable (Désactiver)
6	ASB	Précise s'il faut activer la fonction de transmission automatique d'état (ASB : Automatic Status Back)	1	Enable (Activer)
			2	Disable (Désactiver)
7	Font-B	Précise le nombre de colonnes pour la police B (horizontal x vertical) "Mode1" 10x24 "Mode2" 9x24	1	Mode1
			2	Mode2

(3) Print Group (Groupe d'impression)

Élément		Description	Valeur de réglage	
1	Paper Width	Largeur du papier et nombre de caractères par ligne	1	80mm/48columns (80mm/48colonnes)
			2	80mm/42columns (80mm/42colonnes)
			3	58mm/35columns (58mm/35colonnes)
			4	58mm/32columns (58mm/32colonnes)
2	Max Speed	Vitesse d'impression maximale Le vitesse maximale pour l'impression de codes barres et de codes à deux dimensions est de 120mm/s.	1	100mm/s
			2	110mm/s
			3	120mm/s
			4	130mm/s
			5	140mm/s
			6	150mm/s
			7	160mm/s
			8	170mm/s
			9	180mm/s
			10	190mm/s
			11	200mm/s
			12	210mm/s
			13	220mm/s
			14	250mm/s
			15	270mm/s
			16	300mm/s
3	Print Density	Densité d'impression Plus la valeur est basse, plus la densité d'impression est faible. Plus la valeur est haute, plus la densité d'impression est élevée.	1	70%
			2	80%
			3	90%
			4	100%
			5	110%
			6	120%
			7	130%

(4) Hardware Group (Groupe matériel)

Élément		Description	Valeur de réglage	
1	Error Alert *1	Précise s'il faut activer un signal sonore en cas d'erreur "None": Ne sonne pas. "One Time": Sonne quatre fois. "Continuous": Sonne en continu.	1 2 3	None One Time Continuous
2	Buzzer Interval *2	Précise la tonalité du signal sonore à utiliser pendant l'impression Pendant l'impression, le signal sonore est activé dans les cas suivants : <ul style="list-style-type: none"> • Bouton FEED actionné alors que le couvercle est ouvert • Réception d'une commande de signal sonore (ESC p 03h t1 t2 t3) 	1 2 3 4 5	Pattern 1 (Mode 1) Pattern 2 (Mode 2) Pattern 3 (Mode 3) Pattern 4 (Mode 4) Pattern 5 (Mode 5)
3	Buzzer Repetition *2	Nombre de signaux sonores pendant l'impression Zéro indique aucun signal sonore. Pendant l'impression, le signal sonore est activé dans les cas suivants : <ul style="list-style-type: none"> • Bouton FEED actionné alors que le couvercle est ouvert • Réception d'une commande de signal sonore (ESC p 03h t1 t2 t3) 	1 2 3 4 5 6	Zero (Zéro) One (Un) Two (Deux) Three (Trois) Four (Quatre) Five (Cinq)
4	Graph/User NV-MEM	Taille de la mémoire NV graphique et Taille de la mémoire NV utilisateur Précise la taille de la zone d'enregistrement des images graphiques et des images NV bit, et la taille de la zone de stockage des données utilisateur.	1 2 3 4	384KB/192KB 448KB/128KB 512KB/64KB 576KB/0B
5	Cut at Cover Close	Précise s'il faut activer l'élément de découpe à la fermeture du couvercle.	1 2	Enable (Activer) Disable (Désactiver)
6	PNE Detect	Précise s'il faut signaler la condition de presque fin de papier	1 2	Enable (Activer) Disable (Désactiver)

*1 "Error Alert"

L'opération si un signal sonore "continuous" est émis est la suivante :

(Note) Pour arrêter le signal sonore continu, appuyez sur le bouton FEED.

- Erreur récupérable (Condition de presque fin de papier exclue)
Signal sonore continu de 500ms ON/200ms OFF
- Erreur matérielle
Signal sonore continu de 1000ms ON/500ms OFF

*2 "Buzzer Interval "

Les modes de signaux sonores sont les suivants :

- Pattern 1 40ms ON / 120ms OFF
- Pattern 2 140ms ON / 140ms OFF
- Pattern 3 200ms ON / 200ms OFF
- Pattern 4 10ms ON / 50ms OFF
- Pattern 5 30ms ON / 50ms OFF

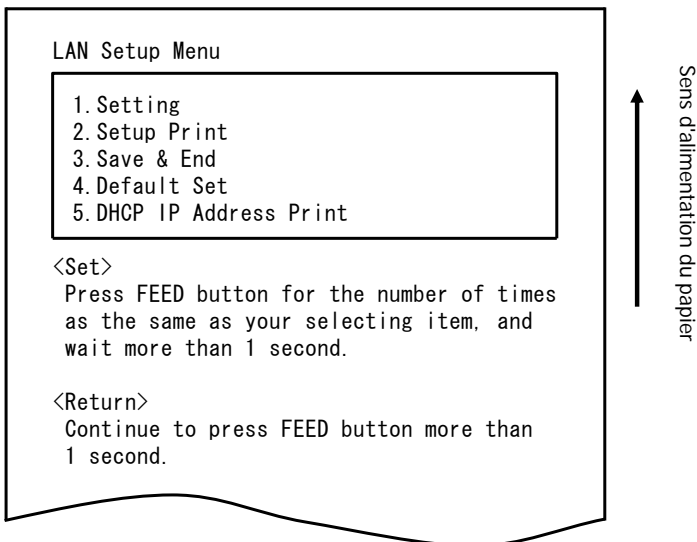
(5) Interface Group (Groupe d'interface)

Élément		Description	Valeur de réglage	
1	Baud rate	Débit pour l'interface série	1	2400BPS
			2	4800BPS
			3	9600BPS
			4	19200BPS
			5	38400BPS
			6	57600BPS
			7	115200BPS
2	Format	Format des données pour l'interface série	1	7EVEN1
			2	7ODD1
			3	8NONE1
			4	8ENEN1
			5	8ODD1
3	Protocol	Protocole de contrôle tampon pour l'interface série	1	DSR/DTR
			2	XON/XOFF
4	USB	Classe de l'interface USB	1	Printer (Imprimante)
			2	V-COM

9-4. Réglages de configuration LAN (Imprimantes avec interfaces série, USB et LAN)

Assurez-vous que le papier est chargé dans l'imprimante. Coupez le commutateur de marche/arrêt de l'imprimante, puis remettez-le en position On (marche) tout en appuyant sur le bouton d'alimentation papier (FEED) sur le tableau de commande. Ceci imprime le document illustré au chapitre 9-1.

Appuyez ensuite sur le bouton d'alimentation papier (FEED) **trois fois** pour sélectionner 3. LAN Setup Menu (3. Menu de configuration LAN) afin de passer en mode de configuration et d'imprimer le menu suivant.



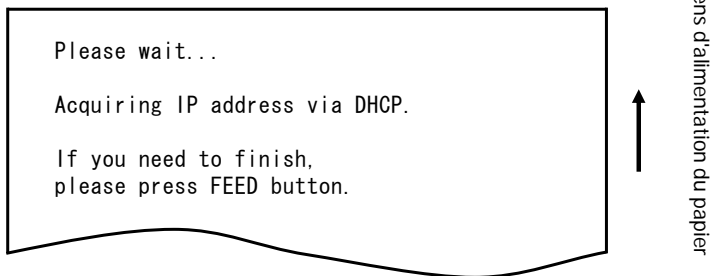
Vous définissez les réglages selon la même méthode que celle décrite au paragraphe 9-2.

Élément de réglage

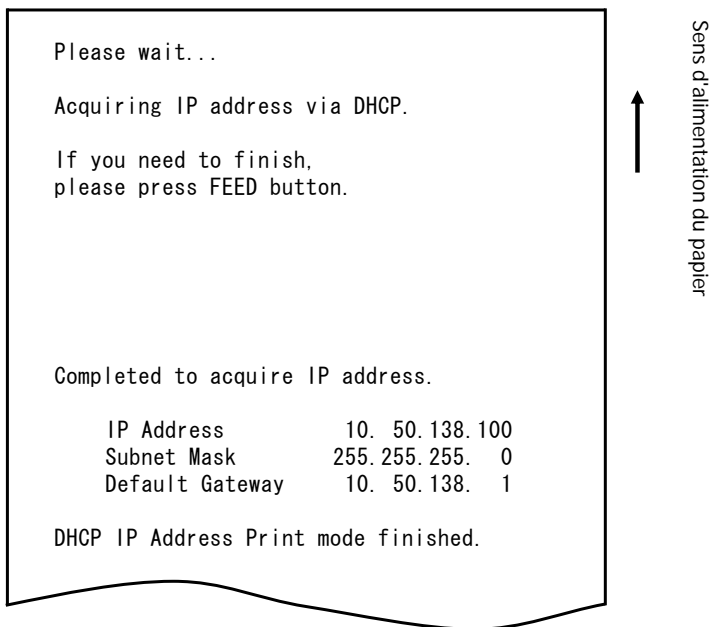
Élément		Description	Valeur de réglage	
1	LAN	<p>Spécifiez l'interface</p> <p>"Enable" : Fonctionne sur l'interface LAN.</p> <p>"Disable" : Fonctionne sur l'interface USB ou série. Si ces deux interfaces sont connectées, l'USB est prioritaire.</p>	1 2	<p>Enable (Activer)</p> <p>Disable (Désactiver)</p>

DHCP IP Address Print

- 1) Sélectionnez « DHCP IP Address Print » pour passer en mode d'Impression IP Address comme illustré ci-dessous. Patientez plusieurs dizaines de secondes.



- 2) Quand l'IP Address, Subnet Mask, et Default Gateway seront acquis avec succès, les valeurs acquises seront imprimées et le Mode d'Impression sera fermé.



- 3) Si le FEED bouton est pressé lors de l'acquisition des valeurs, le Mode d'Impression sera immédiatement fermé avec le message suivant imprimé :

“ DHCP IP Address Print mode finished. ”

9-5. Vidage HEX

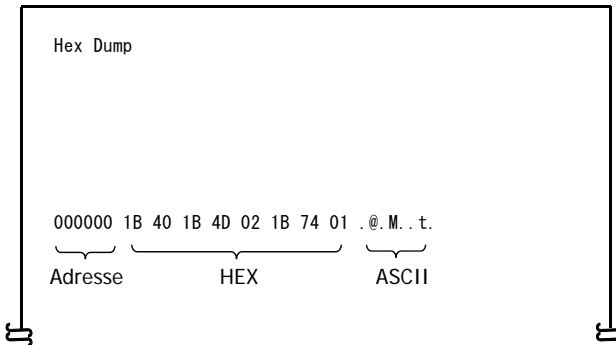
Assurez-vous que le papier est chargé dans l'imprimante. Coupez le commutateur de marche/arrêt de l'imprimante, puis remettez-le en position On (marche) tout en appuyant sur le bouton d'alimentation papier (FEED) sur le tableau de commande. Ceci imprime le document illustré au chapitre 9-1.

Appuyer sur le bouton FEED **trois fois** (Imprimantes avec interfaces série et USB : pour sélectionner 3. Hex Dump) ou **quatre fois** (Imprimantes avec interfaces série, USB et LAN : pour sélectionner 4. Hex Dump) permet d'accéder au mode Vidage HEX.

Ce mode imprime toutes les données envoyées à l'imprimante sous forme de code hexadécimal. Il est utile de vérifier si les codes de commande envoyés à l'imprimante par le programme du PC sont corrects.

Pour sortir de ce mode, mettez le commutateur de marche/arrêt sur Off puis sur On de nouveau.

Impression Vidage HEX (exemple)



9-6. Trace des commandes

Assurez-vous que le papier est chargé dans l'imprimante. Coupez le commutateur de marche/arrêt de l'imprimante, puis remettez-le en position On (marche) tout en appuyant sur le bouton d'alimentation papier (FEED) sur le tableau de commande. Ceci imprime le document illustré au chapitre 9-1.

Appuyer sur le bouton FEED **quatre fois** (Imprimantes avec interfaces série et USB : pour sélectionner 4. Command Trace) ou **cinq fois** (Imprimantes avec interfaces série, USB et LAN : pour sélectionner 5. Command Trace) permet d'accéder au mode Trace des commandes.

Ce mode imprime toutes les données envoyées à l'imprimante au format ASCII (avec explications des commandes ESC/POS). Il peut être utilisé pour analyser les commandes ESC/POS envoyées à l'imprimante par le programme du PC. Pour sortir de ce mode, mettez le commutateur de marche/arrêt sur Off puis sur On de nouveau.

Impression Trace des commandes (exemple)

```
Command Trace
<1B40:Initialize printer (ESC @)>
<1B4D02:Set ANK font C (ESC M n)>
<1B7480:Set character code table (ESC t n)>
<1D4200:Disable reverse printing (GS B n)>
<1B6102:Set justification RIGHT (ESC a n)>
<1C2E:Reset kanji mode (FS .)>
ABC
<0A:Print and line feed (LF)>
```

- Les commandes non définies ou ayant des paramètres de commande anormaux sont traitées comme des erreurs et imprimées avec fond et avant-plan inversés.
- Les commandes incompréhensibles ou inutiles sont imprimées en caractères soulignés pour avertissement.
- Les codes de commande sont imprimés en caractères gras.

9-7. Impression d'échantillons

Assurez-vous que le papier est chargé dans l'imprimante. Coupez le commutateur de marche/arrêt de l'imprimante, puis remettez-le en position On (marche) tout en appuyant sur le bouton d'alimentation papier (FEED) sur le tableau de commande. Ceci imprime le document illustré au chapitre 9-1.

Appuyer sur le bouton FEED **cinq fois** (Imprimantes avec interfaces série et USB : pour sélectionner 5. Sample Print) ou **isix fois** (Imprimantes avec interfaces série, USB et LAN : pour sélectionner 6. Sample Print) permet d'accéder au mode Impression d'échantillons.

Ce mode imprime une explication du fonctionnement du bouton FEED, effectue une découpe du papier, puis imprime des exemples de motifs. (L'explication du fonctionnement du bouton FEED ne s'imprime que la première fois).

" Appui sur le bouton FEED.
Bref : Mode suivant
Long : Même mode"

Une fois l'impression terminée, appuyer brièvement sur le bouton FEED (moins d'une seconde) imprime les échantillons suivants, un à la fois.

* "Reçu" → "Coupon" → "Code barres" → "Reçu" l'un après l'autre. (Pause à l'impression après chaque échantillon. Appuyez sur le bouton FEED pour imprimer l'échantillon suivant).

Appuyer sur le bouton FEED plus longtemps (au moins une seconde) imprime de nouveau l'échantillon précédent.

Pour sortir de ce mode d'impression d'échantillons, mettez le commutateur de marche/arrêt sur Off puis sur On de nouveau.

Le mode Impression d'échantillons effectue une découpe après chaque feuille imprimée.

Le mode Impression d'échantillons utilise une largeur de 80mm ou 58mm en fonction du réglage de la largeur du papier dans la configuration.

Si une erreur récupérable se produit, l'impression d'échantillons reprend une fois l'erreur corrigée.

La page suivante présente des exemples d'impressions.

<Résultats d'impression d'un échantillon sur une largeur de 80mm>

Motif "Reçu"


OKI

OKI Supermarket
Tel : 987-654-321

Banana	\$2.50	1	\$2.50
Beer 350ml	\$2.40	6	\$14.40
Cake	\$2.50	3	\$7.50
Slipper	\$3.80	5	\$19.00
Fairy lamp	\$1.50	2	\$1.00
Candy	\$1.11	10	\$1.10
Strawberry	\$2.45	4	\$9.80
Pie	\$35.00	1	\$35.00
Pizza	\$20.00	1	\$20.00
Socks	\$3.30	6	\$19.80
Aspirin	\$12.80	1	\$12.80
Wine	\$99.80	1	\$99.80
Sub total			\$242.70
Tax(5%)			\$12.10
Total			\$254.80

Receipt No. : 9202
Cashier : XXXX

XX-XX-20XX



a 0 1 2 3 4 5 6 7 8 9 0 1 2 3 4 5 6 7 8 9 a

Motif "Coupon"

OKI

Coupon 20\$ OFF !!

Save 20 dollars on Grape Search of OKI company.

Issue date : XX, XX, 20XX

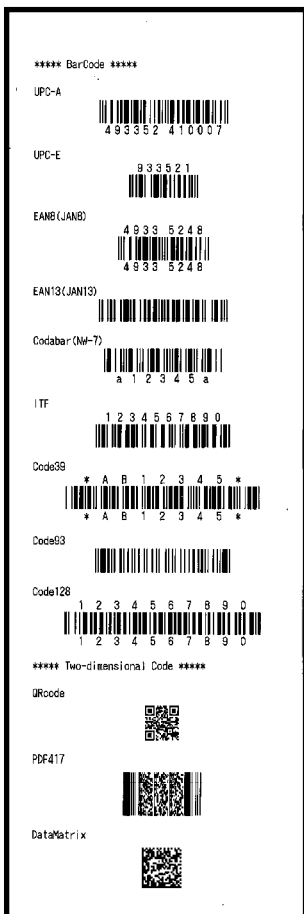
OKI will give a REAL LIFE to YOU



a 0 1 2 3 4 5 6 7 8 9 0 1 2 3 4 5 6 7 8 9 a

NO. 1234567890

Motif "Code barres"



<Résultats d'impression d'un échantillon sur une largeur de 58mm>

Motif "Reçu"

OKI

OKI Supermarket
Tel : 987-654-321


Banana	\$2.50	1	\$2.50
Beer 350ml	\$2.40	6	\$14.40
Cake	\$2.50	3	\$7.50
Silence	\$5.80	5	\$19.00
Fairy lamp	\$1.50	2	\$1.00
Candy	\$1.10	10	\$1.10
Strawberry	\$2.45	4	\$9.80
Pie	\$35.00	1	\$35.00
Pizza	\$20.00	1	\$20.00
Socks	\$5.50	5	\$19.80
Aspirin	\$12.80	1	\$12.80
Wine	\$99.80	1	\$99.80

Sub total \$242.70
Tax (5%) \$12.10

Total \$254.80

Receipt No. : 9202
Casher : XXXX

XX-KV-20XX



a 0 1 2 3 4 5 6 7 8 9 a

Motif "Code barres"

***** BarCode *****

UPC-A

4 9 3 3 5 2 4 1 0 0 7

UPC-E
9 3 3 5 2 1


EAN8 (JAN8)
4 9 3 3 5 2 4 8

4 9 3 3 5 2 4 8

EAN13 (JAN13)


Codabar (NN-7)

a 1 2 3 4 5 a

ITF
1 2 3 4 5 6 7 8 9 0


Code93
* A B 1 2 3 4 5 *

* A B 1 2 3 4 5 *

Code93


Code128
1 2 3 4 5 6 7 8 9 0

1 2 3 4 5 6 7 8 9 0

***** Two-dimensional Code *****

QRcode


PDF417


DataMatrix

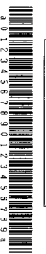

OKI

Coupon 20\$ OFF!!

Save 20 dollars on Fresh Smooths of OKI cansatz.

Issue date : XX.XX.20XX

OKI will give a REAL LIFE to you!



a 0 1 2 3 4 5 6 7 8 9 0 1 2 3 4 5 6 7 8 9 a

NO. 1234567890

Motif "Coupon"

10. Nettoyage régulier

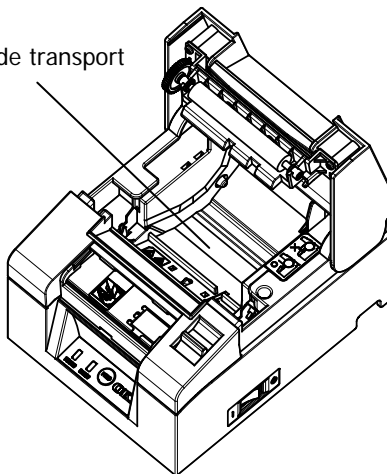
La qualité d'impression est susceptible d'être altérée par les particules de papier, la poussière ou d'autres corps étrangers. Pour éviter ce problème, éliminez toutes les particules de papier et la poussière du chariot, du mécanisme de transport du papier, du cylindre et de la tête thermique en suivant les instructions ci-dessous.

Effectuez un nettoyage tous les six mois.

10-1. Nettoyage du chariot et du mécanisme de transport du papier

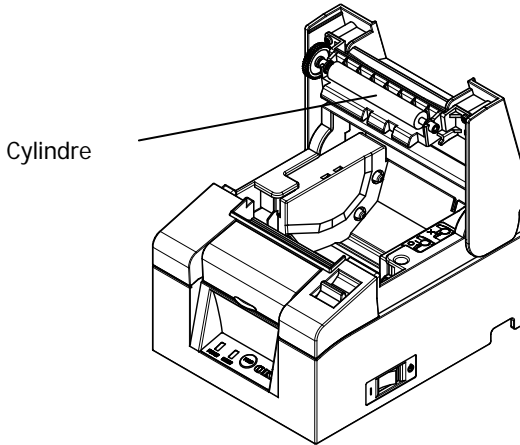
- (1) Veillez à mettre l'imprimante hors tension.
- (2) Ouvrez le panneau supérieur.
- (3) Essuyez la poussière, les particules de papier, la colle ou tout autre corps étranger du chariot et du mécanisme de transport du papier à l'aide d'un chiffon doux et sec.

Chariot et mécanisme de transport
du papier



10-2. Nettoyage du cylindre

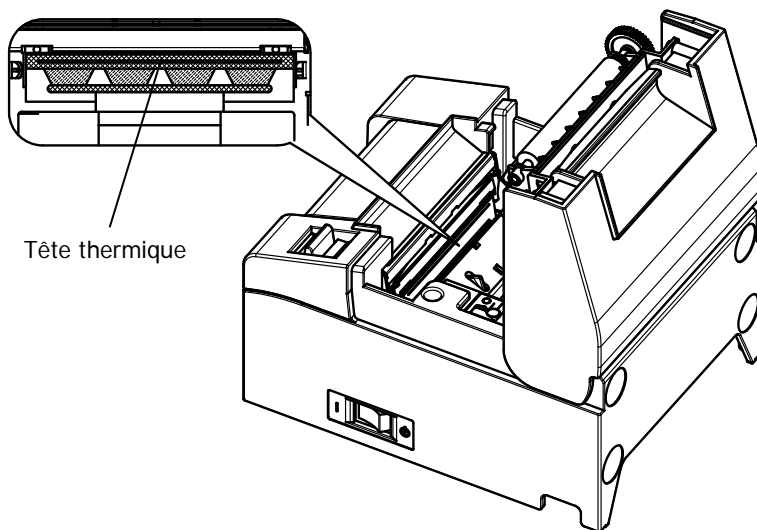
- (1) Veillez à mettre l'imprimante hors tension.
- (2) Ouvrez le panneau supérieur.
- (3) Essuyez la poussière, les particules de papier, la colle ou tout autre corps étranger du cylindre à l'aide d'un chiffon doux et sec.



⚠ Attention : Évitez tout dommage ou entaille au niveau du cylindre. Toute entaille sur le cylindre provoquera des vides lors de l'impression et/ou des défauts de saut de ligne.

10-3. Nettoyage de la tête thermique

- (1) Veillez à mettre l'imprimante hors tension.
- (2) Ouvrez le panneau supérieur.
- (3) À l'aide d'un solvant à base d'alcool, éliminez les particules de papier noires et tout autre résidu de la surface de la tête thermique.



- ⚠ **Attention :** La tête thermique est facilement endommageable. Nettoyez-la soigneusement à l'aide d'un chiffon doux pour éviter tout dommage.
- ⚠ **Attention :** La tête thermique reste chaude immédiatement après l'impression. Laissez-la refroidir une dizaine de minutes avant de la nettoyer.
- ⚠ **Attention :** La tête thermique est sensible à l'électricité statique. Veillez à ne pas l'exposer à l'électricité statique.
- ⚠ **Attention :** Attendez que l'alcool du solvant de nettoyage ait complètement séché avant de mettre l'imprimante sous tension.
- ⚠ **Attention :** Utilisez uniquement des solvants à base d'alcool ou d'alcool d'isopropyle.

11. Interface

11-1. Interface série

(1) Caractéristiques de l'interface de transmission

Méthode de transmission	Asynchrone											
Par ligne	Duplex intégral											
Circuit entrée/sortie	Entrée : MAX211 équivalent Sortie : MAX211 équivalent											
Débit	2400, 4800, 9600, 19200, 38400, 57600, 115200BPS (Paramètres de configuration)											
Type de code de transmission	7 ou 8 bits											
Format du code de transmission	Bits de départ : 1 bit Bits d'arrêt : 1 bit Bits de données : 7 ou 8 bits (Paramètres de configuration) Parité: NONE (aucune), ODD (impaire), EVEN (paire) (Paramètres de configuration) Mark(1) <table border="1" style="display: inline-table; vertical-align: middle; margin-left: 20px;"> <tr> <td style="width: 20px;">ST</td> <td style="width: 20px;">b0</td> <td style="width: 20px;">b1</td> <td style="width: 20px;">b2</td> <td style="width: 20px;">b3</td> <td style="width: 20px;">b4</td> <td style="width: 20px;">b5</td> <td style="width: 20px;">b6</td> <td style="width: 20px;">b7</td> <td style="width: 20px;">PT</td> <td style="width: 20px;">SP</td> </tr> </table> Space(0)	ST	b0	b1	b2	b3	b4	b5	b6	b7	PT	SP
ST	b0	b1	b2	b3	b4	b5	b6	b7	PT	SP		
Séquence de transmission	LSB à MSB											
Code de transmission	Code JIS											
Contrôle des erreurs	Contrôle de la parité (Paramètres de configuration)											
Longueur de la ligne de connexion	15m maxi. : (Si l'alimentation est fournie depuis le connecteur d'alimentation) 2m maxi. : (Si l'alimentation est fournie depuis le connecteur d'interface)											
Protocole	DSR/DTR, XON/XOFF (Paramètres de configuration)											

(2) Connecteur de l'interface série (Imprimantes avec interfaces série et USB)

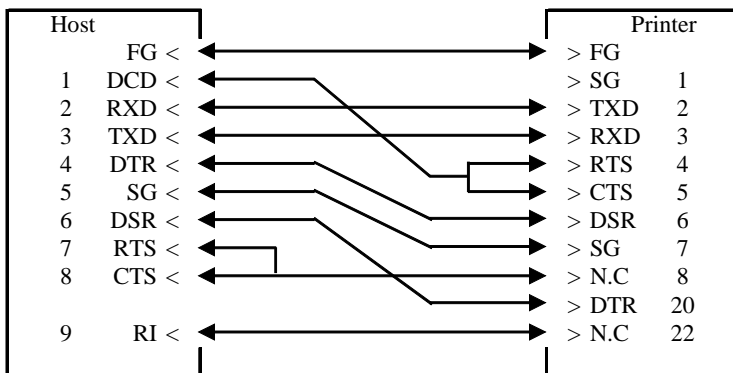
Broche n°	Nom du signal	Direction	Nom de la ligne de transmission
1	SG	-	Terre de signalisation
2	TXD	Sortie	Transmission de données
3	RXD	Entrée	Réception de données
4	RTS	Sortie	Demande pour émettre
5	CTS	Entrée	Prêt à émettre
6	DSR	Entrée	Poste de données prêt
7	SG	-	Terre de signalisation
8~19	N.C	-	Pas de connexion
20	DTR	Sortie	Terminal de données prêt
21~24	N.C	-	Pas de connexion
25	INIT	Entrée	Signal d'initialisation forcée

⚠ Attention : Utilisez une vis de blocage avec filetage aux normes britanniques sur le connecteur.

⚠ Attention : Utilisez un câble croisé 9 - 25 broches RS232C comme câble d'interface.

(3) Câble de raccordement (Imprimantes avec interfaces série et USB)

Le mode de raccordement illustré sur la figure suivante est recommandé.



⚠ Attention : L'alimentation fournie depuis le connecteur d'interface est interdite.

(4) Connecteur de l'interface série (Imprimantes avec interfaces série, USB et LAN)

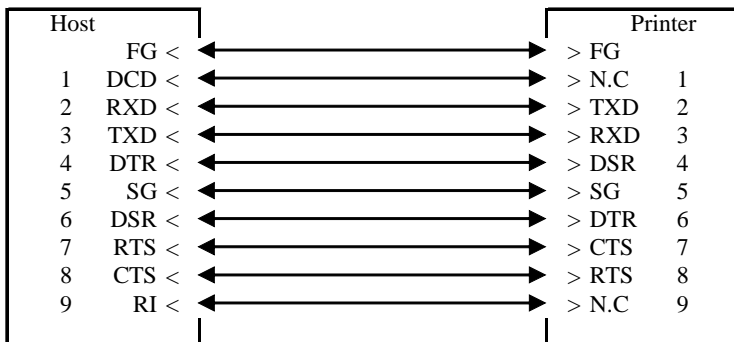
Broche n°	Nom du signal	Direction	Nom de la ligne de transmission
1	N.C	-	Pas de connexion
2	TXD	Sortie	Transmission de données
3	RXD	Entrée	Réception de données
4	DSR	Entrée	Poste de données prêt
5	SG	-	Terre de signalisation
6	DTR	Sortie	Terminal de données prêt
7	CTS	Entrée	Prêt à émettre
8	RTS	Sortie	Demande pour émettre
9	N.C	-	Pas de connexion

⚠ Attention : Utilisez une vis de blocage avec filetage aux normes britanniques sur le connecteur.

⚠ Attention : Utilisez un câble droit 9 broches RS232C comme câble d'interface.

(5) Câble de raccordement (Imprimantes avec interfaces série, USB et LAN)

Le mode de raccordement illustré sur la figure suivante est recommandé.



⚠ Attention : L'alimentation fournie depuis le connecteur d'interface est interdite.

11-2. Interface USB

(1) Connecteur de type B : 4 broches

Broche n°	Nom du signal	Direction	Nom de la ligne de transmission
1	VBUS	Entrée	VBUS
2	D-inB	Entrée/Sortie	D-
3	D+inB	Entrée/Sortie	D+
4	SG	-	Terre de signalisation

⚠ Attention : Utilisez un câble USB blindé.

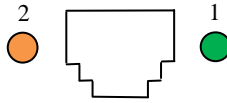
11-3. Interface LAN

(1) Connecteur d'interface LAN

Broche n°	Nom du signal	Direction	Nom de la ligne de transmission
1	TX+	Sortie	Données de sortie
2	TX-	Sortie	Données de sortie
3	RX+	Entrée	Données d'entrée
4	N.C	-	-
5	N.C	-	-
6	RX-	Entrée	Données d'entrée
7	N.C	-	-
8	N.C	-	-

⚠ Attention : utilisez un câble LAN direct comme câble d'interface et branchez-le sur le réseau via un concentrateur.

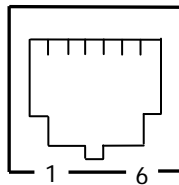
(2) LED



n°	Signification	Description
1	S (Speed (Vitesse))	S'allume si la connexion est identifiée comme 100BASE-TX Se coupe en l'absence de connexion ou si une connexion 10BASE-T est reconnue
2	L/A (Link/Act)	S'allume lors que le lien est établi avec 100BASE-TX ou 10BASE-T Clignote lors de l'envoi et de la réception de paquets

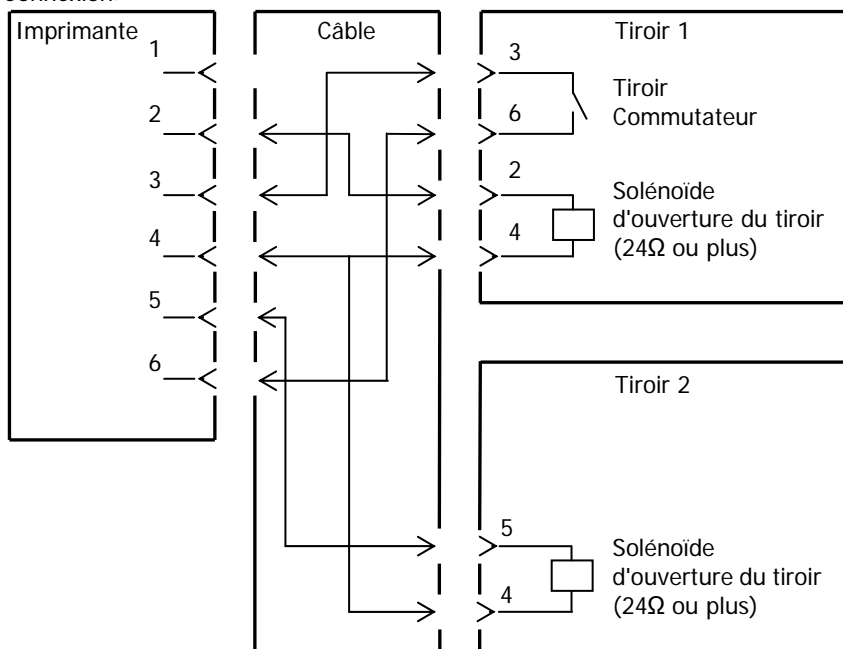
11-4. Connecteur d'ouverture du tiroir

Broche n°	Nom du signal	Direction	Nom de la ligne de transmission
1	FG	-	Terre du bâti
2	*DRD1	Sortie	Signal 1 du dispositif d'entraînement pour l'ouverture du tiroir
3	DRSNS1	Entrée	Signal 1 de détection du tiroir
4	+24V	-	Alimentation du dispositif d'entraînement
5	*DRD2	Sortie	Signal 2 du dispositif d'entraînement pour l'ouverture du tiroir
6	SG	-	Terre de signalisation



<Côté connexion>

<Connexion>



- ⚠ Attention : Le câble de connexion du tiroir doit être de type blindé.
- ⚠ Attention : L'entraînement simultané des deux dispositifs d'entraînement n'est pas disponible.
- ⚠ Attention : Précisez le temps ON et le temps OFF (t1 et t2) pour le tiroir à l'aide de la commande de génération des impulsions (ESC p m t1 t2).
- ⚠ Attention : Réglez le cycle de service du dispositif d'entraînement du tiroir selon la formule suivante : temps ON / (temps ON + temps OFF) $\leq 0,2$.
- ⚠ Attention : Utilisez systématiquement l'alimentation de l'imprimante (connecteur 4 broches) pour l'alimentation du tiroir.
- ⚠ Attention : Utilisez un solénoïde d'ouverture du tiroir ayant une résistance d'au moins 24Ω. Si sa résistance est inférieure à 24Ω, le solénoïde risque d'être endommagé par une surintensité.
- ⚠ Attention : Ce produit utilise un connecteur modulaire spécial pour le tiroir-caisse et un connecteur pour le dispositif d'affichage du client. N'essayez pas d'utiliser d'autres types de connecteurs tels que les connecteurs de téléphone public.

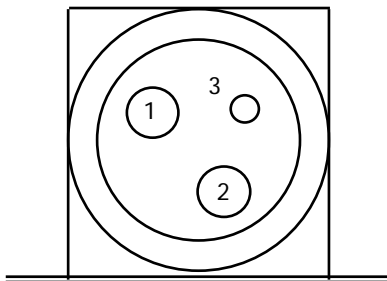
11-5. Caractéristiques de l'alimentation

- (1) Tension d'entrée nominale : 100-240V, 50-60Hz
- (2) Courant nominal d'entrée : 1,1 A
- (3) Tension de service : 24V \pm 10%
- (4) Consommation :
En veille : 3,0W ou moins/0,1A en moyenne
En service : Environ 38W/1,5A en moyenne
(à 24V, 25°C, réglage de la densité d'impression à 100%, largeur de papier de 80mm, charge d'impression 9%)

Note : Intensité du dispositif d'entraînement pour l'ouverture du tiroir : 1A maxi.
Toutefois, ne faites pas fonctionner deux dispositifs d'ouverture de tiroir en même temps.

Affectation des broches du connecteur d'alimentation

Broche n°	Nom du signal
1	+24V
2	SG
3	N.C



- ⚠ Attention :** Utilisez l'adaptateur CA spécifié par nos soins pour l'alimentation.
- ⚠ Attention :** Si vous n'utilisez pas notre adaptateur CA (alimentation fournie par l'utilisateur), des problèmes peuvent survenir, tels que mauvaise qualité d'impression, perturbations électromagnétiques ou bruit au niveau des circuits. Dans de tels cas, prenez note des points suivants :
- Utilisez un adaptateur CA dont la capacité correspond à la cadence d'impression qui sera effectivement utilisée.
 - Assurez-vous à l'avance qu'il n'existe pas de problèmes liés à l'électricité statique, aux perturbations électromagnétiques, au bruit au niveau des circuits, etc.

12. Spécifications

12-1. Caractéristiques générales

- (1) Méthode d'impression : Impression thermique par ligne directe
- (2) Vitesse d'impression : 300 mm/s maximum (monochrome uniquement)
- (3) Résolution d'impression : 8 points/mm (0,125mm)
- (4) Rapport entre le nombre de colonnes d'impression et la taille des caractères

Surface du corps ((Largeur)x(Hauteur) point)

	Largeur du papier : 58mm	
	Impression sur 32 colonnes	Impression sur 35 colonnes
ANK : Police A	32 colonnes : 12x24	35 colonnes : 12x24
ANK : Police B	38 colonnes : 10x24 42 colonnes : 9x24	42 colonnes : 10x24 46 colonnes : 9x24
ANK : Police C	48 colonnes : 8x16	52 colonnes : 8x16
ANK : Police A Extension de police	32 colonnes : 12x24	35 colonnes : 12x24
ANK : Police B Extension de police	38 colonnes : 10x24 42 colonnes : 9x24	42 colonnes : 10x24 46 colonnes : 9x24

Surface du corps ((Largeur)x(Hauteur) point)

	Largeur du papier : 80mm	
	Impression sur 42 colonnes	Impression sur 48 colonnes
ANK : Police A	42 colonnes : 12x24	48 colonnes : 12x24
ANK : Police B	51 colonnes : 10x24 56 colonnes : 9x24	57 colonnes : 10x24 64 colonnes : 9x24
ANK : Police C	64 colonnes : 8x16	72 colonnes : 8x16
ANK : Police A Extension de police	42 colonnes : 12x24	48 colonnes : 12x24
ANK : Police B Extension de police	51 colonnes : 10x24 56 colonnes : 9x24	57 colonnes : 10x24 64 colonnes : 9x24

(5) Jeux de caractères

Caractères alphanumériques (95)

Caractères internationaux (16 jeux : Gothic)

Graphiques agrandis (128 x 20 pages : Gothic)

Enregistrement téléchargé (96)

Kanji défini par l'utilisateur (94)

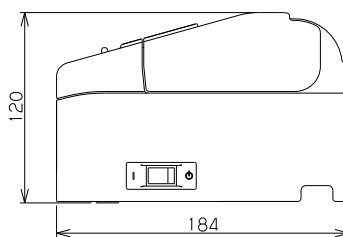
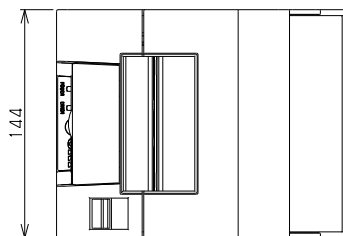
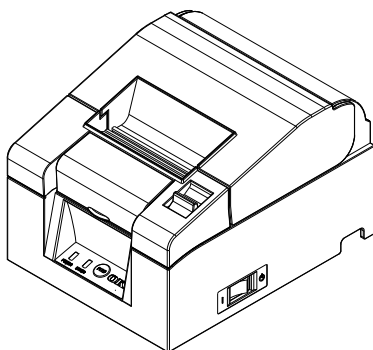
(6) Taille des caractères

	Surface du corps		Surface des lettres	
	(Largeur)x (Hauteur) point	(Largeur)x (Hauteur) mm	(Largeur)x (Hauteur) point	(Largeur)x (Hauteur) mm
ANK : Police A	12 x 24	1,5 x 3,0	11 x 22	1,375 x 2,75
ANK : Police B	10 x 24 9 x 24	1,25 x 3,0 1,125 x 3,0	9 x 17 9 x 22	1,125 x 2,125 1,125 x 2,75
ANK : Police C	8 x 16	1,0 x 2,0	8 x 13	1,0 x 1,625
ANK : Police A Extension de police	12 x 24	1,5 x 3,0	12 x 24	1,5 x 3,0
ANK : Police B Extension de police	10 x 24 9 x 24	1,25 x 3,0 1,125 x 3,0	9 x 22 9 x 22	1,125 x 2,75 1,125 x 2,75

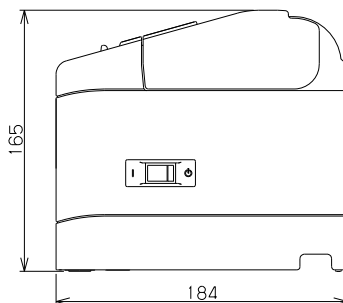
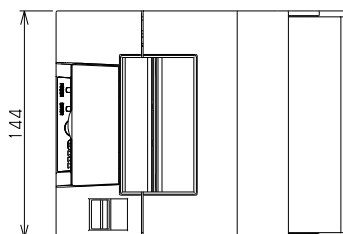
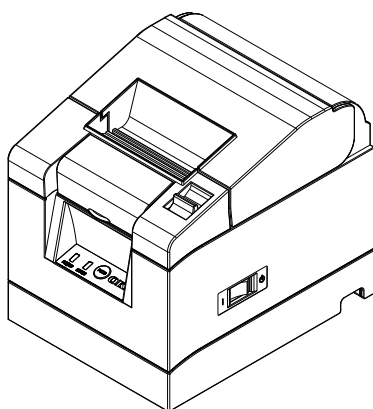
(Note) La colonne d'impression, la taille des caractères et le jeu de caractères dépendent du modèle d'imprimante et/ou de la zone.

(7) Aperçu

Modèle standard



Modèle avec alimentation intégrée



12-2. Caractéristiques de l'élément de découpe

(1) Méthode de découpe : Découpe partielle (le papier reste connecté en un point)

⚠ Attention : N'utilisez pas l'élément de découpe en continu à une vitesse dépassant 10 coupes par minute (1 coupe toutes les 6 secondes ou plus). Un usage excessif risque de provoquer un dysfonctionnement.

12-3. Caractéristiques des rouleaux de papier

(1) Méthode de chargement : Les rouleaux sont chargés manuellement.

(2) Presque fin de papier : Déteçté quand la longueur de papier restante est insuffisante.

⚠ Attention : Le produit supporte un mandrin de 18mm de diamètre.

12-4. Caractéristiques des interfaces

(1) Série (RS-232C)

(2) USB (USB 2.0 pleine vitesse)

(3) LAN (10BASE/100BASE-T)

12-5. Caractéristiques environnementales

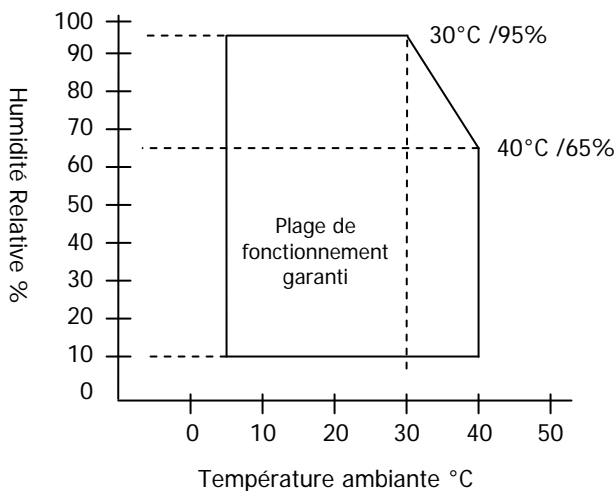
(1) Température

En service Fonctionnement garanti à :	0°C - 40°C
Qualité d'impression garantie à :	5°C - 35°C
Hors service	-5°C - 60°C
Transport ou entreposage (emballage)	-20°C - 60°C

(2) Humidité

En service Fonctionnement garanti à :	10%-95%HR (pas de condensation)
Qualité d'impression garantie à :	10%-85%HR (pas de condensation)
Hors service	8%-95%HR (pas de condensation)
Transport ou entreposage (emballage)	5%-95%HR (pas de condensation)

(3) Température de bulbe humide maximale 29°C ou moins



12-6. Caractéristiques de fiabilité

- (1) Durée de vie de l'imprimante 20 millions de lignes
(si le papier recommandé de 75 μ m d'épaisseur est utilisé)

- (2) Durée de vie de la tête : 100km
(si le papier recommandé de 75 μ m d'épaisseur est utilisé)
Durée de vie du dispositif d'impulsion : 100 millions d'impulsions
(si le papier recommandé de 75 μ m d'épaisseur est utilisé)

- (3) Durée de vie de l'élément de découpe
Épaisseur du papier 75 μ m : 1,5 millions de découpes
(si le papier recommandé de 75 μ m d'épaisseur est utilisé)
65 μ m/85 μ m : 1,0 million de découpes

Note: Quand une situation de la vitesse de l'impression maximale est 220 mm/s.

13. Précautions d'usage

13-1. Précautions concernant le papier

- (1) Les cadences d'impression élevées peuvent entraîner une impression floue. Choisissez une cadence d'impression appropriée afin d'éviter les flous. Autrement, définissez une combinaison adéquate entre vitesse d'impression et densité d'impression afin d'éviter les flous.
(Reportez-vous au chapitre 9 Mode spécial : 9-2. Modification de la configuration.)
- (2) L'impression des caractères d'un jeu de caractères non standard avec un empattement fin ou une police de caractères similaire risque d'être à peine visible. Utilisez une police de caractères gras sans empattement.
- (3) Pour obtenir une qualité d'impression sans irrégularité de pas (expansion ou contraction), faites avancer le papier de 1mm (8 points) ou plus lors du redémarrage de l'impression ou après la découpe du papier.
- (4) Lors d'une impression séquentielle, un transfert lent des données risque de générer des lignes blanches sur le document imprimé du fait que l'impression se fait en alternance avec des pauses. Si la qualité d'impression prime, utilisez le mode d'impression par lots ("Batch (COM IF)", "Batch (OTHER IF)").
(Reportez-vous au chapitre 9 Mode spécial : 9-2. Modification de la configuration.)
- (5) Une commande permet de régler la marge supérieure à 12mm ou 3mm. Si la marge supérieure est réglée à 3 mm, veillez à enlever le papier imprimé après chaque opération d'impression et de découpe car un retour de papier se fait avant l'impression. Si le papier imprimé et découpé n'est pas enlevé, la partie partiellement découpée risque d'être déchirée ou la surface découpée risque de se plier et de provoquer un bourrage papier. En outre, utilisez au moins 30 mm de papier pour chaque transaction.
- (6) Définir une densité d'impression élevée (110% ou plus) risque d'entraîner une impression floue ou irrégulière à basse température, selon le mode d'impression. Si la qualité d'impression prime, imprimez à une vitesse inférieure.
(Reportez-vous au chapitre 9 Mode spécial : 9-2. Modification de la configuration.)
- (7) Ne faites pas passer la largeur du papier à une valeur supérieure (de 58mm à 80mm par ex.) durant une impression. Si vous utilisez du papier de faible largeur, une partie de la tête thermique risque d'entrer directement en contact avec le cylindre sans papier présent. Ceci provoque l'usure de la tête, et réduit la qualité d'impression. En outre, la lame de découpe opère également sur des sections dépourvues de papier, ce qui provoque l'usure de la lame et une découpe de mauvaise qualité. Ne modifiez pas la largeur du papier durant une impression.

- (8) Si le papier reste dans l'imprimante pendant une période prolongée, il risque de se déformer et d'entraîner une impression à peine visible. Par conséquent, si le papier est resté longtemps dans l'imprimante, faites avancer le papier de 20-30mm avant de lancer l'impression.
- (9) Si vous utilisez du papier non recommandé, la qualité d'impression et/ou la durée de vie de la tête thermique ne peuvent être garanties. En particulier, l'utilisation de papier contenant du "Na+", du K+ ou du Cl-" risque de diminuer considérablement la durée de vie de la tête thermique.
- (10) L'utilisation d'un adaptateur CA non recommandé risquant d'entraîner une impression floue et/ou irrégulière, utilisez uniquement l'adaptateur recommandé.
- (11) Le papier pouvant être marqué lors de son chargement ou de la fermeture du couvercle, faites-le avancer de 20-30mm avant de lancer l'impression.

13-2. Précautions concernant l'élément de découpe

- (1) N'utilisez pas l'élément de découpe en continu à une vitesse dépassant 10 coupes par minute (1 coupe toutes les 6 secondes ou plus). Un usage excessif risque de provoquer un dysfonctionnement.
- (2) Ne retirez pas le papier en cours de découpe. Sans cela, des problèmes pourraient survenir, tels que des bourrages papier.
- (3) Si la marge supérieure est réglée à 3mm, veillez à enlever le papier imprimé après chaque opération d'impression et de découpe car un retour de papier se fait avant l'impression. Sans cela, des problèmes pourraient survenir, tels que des bourrages papier.

13-3. Précautions concernant l'impression de codes barres/codes 2D

- (1) Si vous utilisez du papier épais, la vitesse et la densité d'impression doivent être ajustées et la lisibilité doit également être vérifiée avant d'utiliser l'imprimante car le papier épais risque de provoquer des flous selon l'environnement et le niveau d'humidité.
(Reportez-vous au chapitre 9 Mode spécial : 9-2. Modification de la configuration.)
- (2) Pour les codes 2D, ajustez la vitesse et la densité d'impression afin d'obtenir un bon taux de reconnaissance. La lisibilité variant selon la largeur du module, la densité d'impression, la température ambiante, le type de rouleau de papier thermique et les performances du lecteur, vérifiez le réglage avant d'utiliser l'imprimante.
(Reportez-vous au chapitre 9 Mode spécial : 9-2. Modification de la configuration.)

- (3) Si un code barres est imprimé dans la partie supérieure du papier au début de son alimentation, ou dans la partie inférieure en fin d'alimentation, la lisibilité doit être vérifiée car la précision de l'alimentation du papier est susceptible de devenir instable.

13-4. Précautions liées à l'utilisation de l'interface USB

- (1) Raccordez l'imprimante directement sur l'ordinateur hôte.
- (2) Veillez à allumer l'imprimante avant de lancer l'impression.
- (3) Si une erreur survient pendant l'impression, corrigez l'erreur de l'imprimante puis relancez l'impression.
- (4) N'éteignez pas l'imprimante et ne débranchez pas le câble USB durant une impression. L'utilisation de l'ordinateur hôte pour définir les modes Attente, Veille, Hibernation ou Pause n'est pas recommandée.
Si l'imprimante ne fonctionne pas correctement malgré les éléments mis en œuvre ci-dessus, essayez de rebrancher le câble USB ou de rallumer l'imprimante. Si l'imprimante n'imprime toujours pas correctement, redémarrez l'ordinateur hôte.

13-5. Précautions liées à l'utilisation de l'interface LAN

- (1) Les paramètres Web de l'imprimante doivent être configurés lorsque l'imprimante n'est pas en cours d'impression.
Si vous modifiez fréquemment les paramètres Web lorsque l'imprimante est en cours d'impression, il est possible que le papier ne soit pas correctement alimenté et qu'il en résulte une impression inégale.
- (2) Ce status monitor peut être utilisé avec des ports LAN dédiés.
Il ne prend pas en charge les ports LAN standard Windows.Web de
- (3) Lorsque vous imprimez sur plusieurs imprimantes à partir d'un seul ordinateur, il est possible que l'impression ne fonctionne pas correctement en fonction du port TCP/IP standard du système d'exploitation.
Le cas échéant, configurez la fonction de communication bidirectionnelle dans le pilote d'imprimante sur désactivé avant l'impression.
- (4) Si l'imprimante est mise hors tension en cours d'impression, il est possible qu'elle ne reprenne pas automatiquement lorsque l'imprimante est remise sous tension.
Le cas échéant, supprimez les données du travail d'impression du tampon de l'imprimante, puis recommencez l'impression.

13-6. Précautions liées à l'installation

- (1) Utilisez l'imprimante uniquement à l'intérieur. Une utilisation extérieure risque d'entraîner un dysfonctionnement de l'imprimante dû à la poussière ou d'autres facteurs.
- (2) Lorsque vous branchez un câble sur l'imprimante ou que vous la déplacez, effectuez l'opération en la tenant par les côtés du panneau central avec les deux mains. Si vous effectuez l'opération en la tenant par le panneau supérieur, celui-ci risque de s'ouvrir.

13-7. Précautions liées à l'utilisation du connecteur modulaire

- (1) Ce produit utilise un connecteur modulaire spécial pour le tiroir-caisse et un connecteur pour le dispositif d'affichage du client. N'essayez pas d'utiliser d'autres types de connecteurs tels que les connecteurs de téléphone public.

Okí detalles du contact

Okí Systems (UK) Ltd

Blays House
Wick Road
Egham
Surrey
TW20 0HJ

Tel: +44 (0) 1784 274300
Fax: +44 (0) 1784 274301
http://www.oki.co.uk

Okí Systems Ireland Limited

The Square Industrial Complex
Tallaght
Dublín 14

Tel: +353 (0) 1 4049590
Fax: +353 (0) 1 4049591
http://www.oki.ie

Okí Systems Ireland Limited - Northern Ireland

19 Ferndale Avenue
Glengormley
BT36 5AL
Northern Ireland

Tel: +44 (0) 7767 271447
Fax: +44 (0) 1 404 9520
http://www.oki.ie

Technical Support for all Ireland:

Tel: +353 1 4049570
Fax: +353 1 4049555
E-mail: tech.support@oki.ie

Okí Systems (Czech and Slovak), s.r.o.

Futurama Business Park -
Sokolovská 651/136A
186 00 Praha 8
Czech Republic

Tel: +420 224 890158
Fax: +420 22 232 6621
Website: www.oki.cz, www.oki.sk

Okí Systems (Deutschland) GmbH

Hansaallee 187
40549 Düsseldorf

Tel: +49 (0) 211 / 5266-0
Fax: +49 (0) 211 59 33 45
Website: www.oki.deinfo@oki.de

Albania, Bosnia, Bulgaria, Croatia,
Cyprus, Estonia, Greece, Israel,
Latvia, Lithuania, Macedonia,
Romania, Serbia, Slovenia

CEE Export Group: Okí Systems (Poland) Ltd

ul. Domaniewska 42
02-672 Warsaw
Poland

Tel: +48 (0) 22 448 65 00
Fax: +48 (0) 22 448 65 0
E-mail: tech@oki.com.pl

Okí Systèmes (France) S.A.

Zone Silic - Immeuble Osaka
21 rue du Jura
CS 90277
94633 RUNGIS Cedex
Paris

Tél: Standard 0820 200 410
(0.09€/min depuis une ligne fixe*)
Hotline 01 76 54 21 50 (n° non
surtaxé)
Website: www.oki.fr

Okí Systems (Magyarország) Kft.

Capital Square
Tower 2
7th Floor
H-1133 Budapest,
Váci út 76
Hungary

Telefon: +36 1 814 8000
Telefax: +36 1 814 8009
Website: www.okihu.hu

Okí Systems (Italia) S.p.A.

via Milano, 11,
20084 Lacchiarella (MI)

Tel: +39 (0) 2 900261
Fax: +39 (0) 2 90026344
Website: www.oki.it

Okí Systems (Polska) Sp. z o.o

Platinum Business Park II, 3rd
Floor
ul. Domaniewska 42
02-672 Warsaw
Poland

Tel: +48 22 448 65 00
Fax: +48 22 448 65 01
Website: www.oki.com.pl
E-mail: oki@oki.com.pl
Hotline: 0800 120066
E-mail: tech@oki.com.pl

Okí Europe Limited, Sucursal em Portugal

Av. Quinta Grande 53
7° D Alfragide
2614-521 Amadora
Portugal

Tel: +351 21 470 4200
Fax: +351 21 470 4201
Website: www.oki.pt
E-mail : oki@oki.pt

Okí Service Serviço de apoio técnico ao Cliente

Tel: 214 727 660
E-mail : okiserv@oki.pt

Okí Systems Rus, LLC (Russia)

Sector B, 3rd Floor, Svyatogor-4
Business Center10/4, Letnikovskaya
str. 115114, Moscow

Tel: +7 495 276 5060
Fax: +7 495 258 6070
e-mail: info@oki.ru
Website: www.oki.ru

Technical support:
Tel: +7 495 564 8421
e-mail: tech@oki.ru

Okí Systems (Österreich)

Campus 21
Businesszentrum Wien Sued
Liebermannstrasse A02 603
22345 Brun am Gebirge

Tel: +43 223 6677 110
Service-Hotline:
+43 (0) 2236/677 110-501
Website: www.oki.at

Okí Europe Ltd. (Ukraine)

Raisy Opkinoy Street,8
Building B, 2nd Floor,
Kiev 02002
Ukraine

Tel: +380 44 537 5288
e-mail: event@oki.ua
Website: www.oki.ua

Okí Sistem ve Yazıcı Çözümleri Tic. Ltd. Şti.

Harman sok Duran Is Merkezi,
No:4, Kat:6,
34394, Levent
İstanbul

Tel: +90 212 279 2393
Faks: +90 212 279 2366
Web: www.oki.com.tr

Okí Systems (Belgium)

Medialaan 24
1800 Vilvoorde

Helpdesk: 02-2574620
Fax: 02 2531848
Website: www.oki.be

Okí Systems (Danmark) a-s

Herstedøstervej 27
2620 Albertslund
Danmark

Adm.: +45 43 66 65 00
Fax: +45 43 66 65 90
E-mail: saig@oki.dk /
support@oki.dk
Website: www.oki.dk

Oki Systems (Finland) Oy

Polaris Capella
Vänrikinkuja 3
02600 Espoo

Tel: +358 (0) 207 900 800
Fax: +358 (0) 207 900 809
Website: www.oki.fi

Oki Systems (Holland) b.v.

Neptunstraat 27-29
2132 JA Hoofddorp

Helpdesk: 0800 5667654
Tel: +31 (0) 23 55 63 740
Fax: +31 (0) 23 55 63 750
Website: www.oki.nl

Oki Systems (Norway) AS

Tevlingveien 23
N-1081 Oslo

Tel: +47 (0) 63 89 36 00
Telefax: +47 (0) 63 89 36 01
Website: www.oki.no

Var vänlig kontakta din
Återförsäljare i första hand, för
konsultation. I andra hand kontakta

Oki Systems (Sweden) AB

Borgafjordsgatan 7
Box 1193
164 26 Kista

Tel. +46 (0) 8 634 37 00
e-mail: info@oki.se
Website: www.oki.se

Oki Systems (Schweiz)

Baslerstrasse 15
CH-4310 Rheinfelden

Support deutsch +41 61 827 94 81
Support français +41 61 827 94 82
Support italiano +41 061 827 9473

Tel: +41 61 827 9494
Website: www.oki.ch

Oki Data Americas Inc. (United States • États-Unis)

2000 Bishops Gate Blvd.
Mt. Laurel, NJ 08054
USA

Tel: 1-800-654-3282
Fax: 1-856-222-5247
<http://WWW.OKIPRINTINGSOLUTIONS.COM>
<http://my.okidata.com>

Oki Data Americas Inc. (Canada • Canadá)

4140B Sladeview Crescent Unit 7 & 8
Mississauga, Ontario
Canada L5L 6A1

Tél: 1-905-608-5000
Télé: 1-905-608-5040
<http://WWW.OKIPRINTINGSOLUTIONS.COM>

Oki Data Americas Inc. (Amérique Latine (OTRO))

2000 Bishops Gate Blvd.
Mt. Laurel, NJ 08054
USA

Tel (Español): 1-856-222-7496
1-856-222-5276
Fax: 1-856-222-5260
Email: LASatisfaction@okidata.com

Oki Data de Mexico, S.A. de C.V.

Mariano Escobedo #748, Piso 8
Col. Nueva Anzures
C.P. 11590, México, D.F.

Tel: 52-555-263-8780
Fax: 52-555-250-3501
<http://WWW.OKIPRINTINGSOLUTIONS.COM>

Oki Data do Brasil Informática Ltda.

Av. Alfredo Egidio de Souza Aranha,
100 - 5º Andar - Bloco C
Chácara Santo Antonio - São Paulo,
SP - Brasil
CEP: 04726-170

Tel: 55-11-3543-5500 (Grande São Paulo)
0800-11-5577 (Demais localidades)
Fax: 55-11-3444-3501
email: okidata@okidata.com.br
HTTP: www.okiprintingsolutions.com

Argentina/Chile/Paraguay/Perú/Uruguay**Oki Data Americas, Inc.**

Sucursal Argentina
Ugarte 3610 Piso 4° (1605) Olivos
Buenos Aires, Argentina

TEL: +54 11 5288 7500
Fax: +54 11 5288 7599

Colombia/Ecuador/Venezuela/Centroamérica y Caribe Oki Data Americas, Inc.

Sucursal Colombia
Carrera 13 #97-51, Oficina 101
Bogotá Colombia

TEL: +57 1 704 5159

Oki Data (Singapore) Pte. Ltd.

438A Alexandra Road #02-11/12,
Lobby 3, Alexandra Technopark
Singapore(119967)

Tel: (65) 6221 3722
Fax: (65) 6594 0609
<http://www.okidata.com.sg>

Oki Systems (Thailand) Ltd.

1168/81-82 Lumpini Tower,
27th Floor Rama IV Road
Tungmahamek, Sathorn
Bangkok 10120

Tel: (662) 679 9235
Fax: (662) 679 9243/245
<http://www.okisysthai.com>

Oki Data(Australia) Pty Ltd.

Level1 67 Epping Road, Macquarie
Park
NSW 2113, Australia

Tel: +61 2 8071 0000
(Support Tel: 1800 807 472)
Fax: +61 2 8071 0010
<http://www.oki.com.au>

OKI Data New Zealand

8 Antares Place Rosedale,
Auckland, 0632 New Zealand

Tel: (64) 9 477 0500
Fax: (64) 9 477 0549
<http://www.oki.co.nz/>

Oki Data(S) P Ltd. Malaysia Rep Office

Suite 21.03, 21st Floor Menara IGB,
Mid Valley City,
Lingkar Syed Pura 59200,
Kuala Lumpur, Malaysia

Tel: (60) 3 2287 1177
Fax: (60) 3 2287 1166

OKI

PT340/341

Manuale d'uso

PREFAZIONE

Nella stesura di questo manuale è stato fatto il possibile per fornire informazioni complete, precise e aggiornate. Il costruttore non si assume alcuna responsabilità per le conseguenze di eventuali errori causati da fattori sui quali non ha controllo. Inoltre il costruttore non può garantire che le modifiche del software e delle apparecchiature apportate da altri costruttori e a cui si fa riferimento in questo manuale non possano avere delle conseguenze sulla validità delle informazioni in esso contenute. La citazione di prodotti software costruiti da altre società non rappresenta necessariamente approvazione.

Nella stesura di questo documento è stato fatto il possibile per fornire informazioni accurate e utili. Tuttavia non si garantisce in alcun modo, espresso o implicito, la validità e correttezza delle informazioni qui riportate.

Tutti i diritti riservati a OKI Data Corporation. Si fa divieto di effettuare copie non autorizzate, trasferimenti, attività di traduzione o altre azioni correlate. Per ognuna delle azioni sopra elencate, è necessario ottenere un'autorizzazione scritta da parte di Oki Data Corporation.

© 2013 Oki Data Corporation

OKI è un marchio registrato di proprietà di Oki Electric Industry Co., Ltd.

Energy Star è un marchio registrato dell'Agenzia di Protezione Ambientale degli Stati Uniti.

Microsoft, Windows, Windows Server e Windows Vista sono marchi registrati di proprietà di Microsoft Corporation.

Apple, Macintosh, Rosetta, Mac e Mac OS sono marchi registrati di proprietà di Apple Inc.

Gli altri nomi di prodotto e marchi di fabbrica sono marchi o marchi registrati dei rispettivi proprietari.



In qualità di partecipante al programma Energy Star, il costruttore ha stabilito che questo prodotto è conforme alle linee guida Energy Star per l'efficienza energetica.



Questo prodotto soddisfa i requisiti indicati dalle Direttive del Consiglio Europeo 2014/30/EU (EMC), 2014/35/EU (LVD), 2014/53/EU (RED) e 2011/65/EU (RoHS), come emendate dove applicabile, sull'approssimazione delle leggi degli stati membri relative alla compatibilità elettromagnetica, alla bassa tensione, alle apparecchiature terminali di radio e telecomunicazione, ai prodotti connessi con il consumo di energia e alle restrizioni sull'utilizzo di determinate sostanze pericolose in apparecchiature elettriche ed elettroniche.

I cavi seguenti sono stati utilizzati per valutare il prodotto e stabilirne la conformità alla direttiva normativa EMC 2014/30/EU e configurazioni diverse da quelle potrebbero influire su quella norma.

TIPO DI CAVO	LUNGHEZZA (METRI)	NUCLEO	SCHERMATURA
Alimentazione	2.0	×	×
USB	5.0	×	✓
Seriale (25pin)	15.0	×	✓
Seriale (9pin)	15.0	×	✓
LAN	5.0	×	×
Cassetto	1.8	×	×

AVVERTENZA: questo prodotto è conforme alla certificazione EN55022 Classe A. In un ambiente domestico, questa configurazione potrebbe causare interferenze radio, in tal caso all'utente è richiesto di adottare misure opportune.

PRODUTTORE

OKI Data Corporation,
4-11-22 Shibaura, Minato-ku,
Tokyo 108-8551,
Giappone

Per informazioni sulla vendita e l'assistenza e qualsiasi altra domanda di carattere generale, contattare il distributore locale.

IMPORTATORE PER L'UNIONE EUROPEA/RAPPRESENTANTE AUTORIZZATO

OKI Europe Limited (che commercializza i prodotti sotto il nome di OKI Printing Solutions)

Blays House
Wick Road
Egham
Surrey, TW20 0HJ
Regno Unito

Per informazioni sulla vendita e l'assistenza e qualsiasi altra domanda di carattere generale, contattare il distributore locale.

INFORMAZIONI SULL'AMBIENTE



Informazioni sul software open source utilizzato dalla "PT340/PT341"







La "PT340/PT341" utilizza software open source concesso sotto licenze GNU GPL, LGPL, BSD License e simili.

Il testo completo delle licenze utilizzati in questo software è contenuto nella cartella seguente.

Nome unità : \Manual

License.txt

Descrizione dei simboli di sicurezza sull'attrezzatura

No.	Simbolo	Descrizione
1		"ON" (accensione) Per indicare il collegamento alla rete, ameno per gli interruttori di rete o le loro posizioni.
2		Stand-by Per identificare l'interruttore o la posizione degli interruttori per mezzo di quale parte dell'attrezzatura è accesa per portarla in stand-by.
3		Avvertimento/Cautela generale Per identificare un avvertimento/una cautela generale.
4		Attenzione, superfici bollenti Per indicare che il pezzo contrassegnato può essere bollente e non deve essere toccato senza cura.
5		Corrente diretta Per indicare sulla piastra di valutazione che l'attrezzatura è adatta esclusivamente per la corrente diretta, per identificare i terminali rilevanti.
6		Corrente alternata Per indicare sulla piastra di valutazione che l'attrezzatura è adatta esclusivamente per la corrente alternata, per identificare i terminali rilevanti.

Sommario

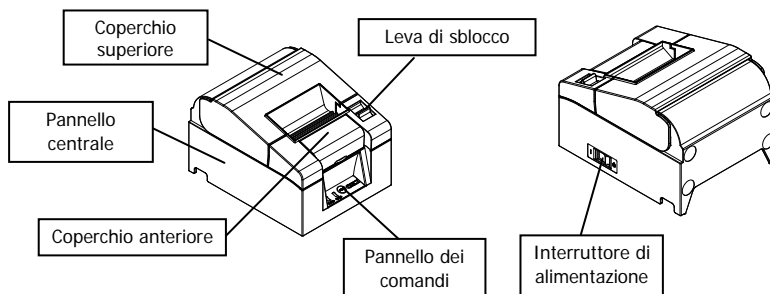
1. Componenti e nomenclatura	5
1-1. Identificazione dei componenti.....	5
1-2. Contenuto della confezione.....	6
2. Trasformatore CA	7
3. Specifiche della carta	8
3-1. Larghezza della carta	8
3-2. Spessore della carta.....	8
3-3. Rotolo di carta	8
3-4. Carta termica consigliata	9
4. Preparazione	10
4-1. Collegamento del cavo di interfaccia (alla stampante).....	11
4-2. Collegamento del cavo di interfaccia (al PC)	13
4-3. Collegamento del cavo del cassetto	15
4-4. Collegamento del trasformatore CA e del cavo di alimentazione	16
4-5. Distacco del trasformatore CA	19
4-6. Installazione della stampante.....	20
4-7. Accensione	24
4-8. Installazione del software della stampante.....	25
5. Inserimento della carta	26
5-1. Apertura del coperchio superiore	26
5-2. Selezione della larghezza della carta (58 mm / 80 mm)	28
5-3. Caricamento della carta.....	30
5-4. Chiusura del coperchio superiore	32
6. Pannello dei comandi	33
6-1. Pannello dei comandi	33
6-2. Indicazioni di errore.....	34
7. Prevenzione e risoluzione degli inceppamenti della carta	36
7-1. Prevenzione degli inceppamenti della carta	36
7-2. Risoluzione degli inceppamenti della carta	36
7-3. Se il coperchio superiore non si apre.....	37
8. Risoluzione dei problemi	40
8-1. Problemi all'accensione e altri errori.....	40
8-2. Problemi di taglio della carta.....	40
8-3. Problemi di stampa.....	41
9. Menu Special Mode (Test Print, Setup Menu...)	42
9-1. Stampa di prova	42

9-2. Modifica delle impostazioni	44
9-3. Impostazioni di configurazione	54
9-4. Impostazioni della configurazione LAN (Stampanti con interfaccia seriale, USB e LAN)	60
9-5. Stampa esadecimale	63
9-6. Tracciatura dei comandi	64
9-7. Stampa di prova	65
10. Pulizia periodica	70
10-1. Pulizia del portarotolo e del meccanismo di trasporto	70
10-2. Pulizia del rullo di trascinamento	71
10-3. Pulizia della testina termica	72
11. Interfacce	73
11-1. Interfaccia seriale	73
11-2. Interfaccia USB	76
11-3. Interfaccia LAN	76
11-4. Connettore per cassetto	77
11-5. Specifiche elettriche	79
12. Specifiche	80
12-1. Specifiche generali	80
12-2. Specifiche della taglierina	83
12-3. Specifiche di alimentazione della carta	83
12-4. Specifiche delle interfacce	83
12-5. Specifiche ambientali	84
12-6. Specifiche di affidabilità	85
13. Precauzioni per l'uso	86
13-1. Precauzioni relative alla carta	86
13-2. Precauzioni relative alla taglierina	87
13-3. Precauzioni per la stampa di codici a barre/codici 2D	87
13-4. Precauzioni per l'uso dell'interfaccia USB	88
13-5. Precauzioni per l'uso dell'interfaccia LAN	88
13-6. Precauzioni per l'installazione	89
13-7. Precauzioni per l'uso del connettore modulare	89

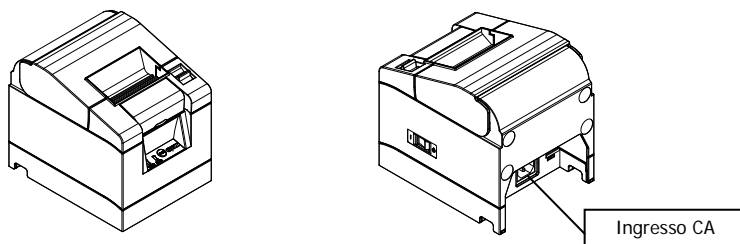
1. Componenti e nomenclatura

1-1. Identificazione dei componenti

Modello standard

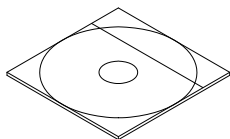


Modello con alimentatore integrato

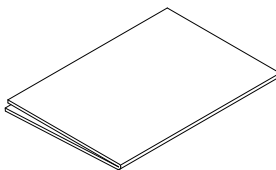


- Coperchio superiore
Può essere aperto per sostituire la carta.
- Leva di sblocco
Usata per aprire il coperchio superiore.
- Interruttore di alimentazione
Permette di accendere e spegnere la stampante.
- Pannello dei comandi
Contiene i tasti per l'utilizzo della stampante e le spie che indicano lo stato della stampante.
- Coperchio anteriore
Può essere rimosso in caso di inceppamento della carta o quando non è possibile aprire il coperchio superiore.
- Ingresso CA
Per l'inserimento del cavo di alimentazione CA.

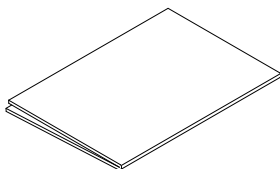
1-2. Contenuto della confezione



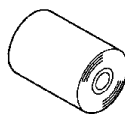
CD



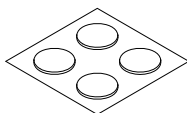
Istruzioni



Garanzia di sicurezza



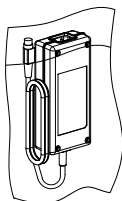
Carta termica



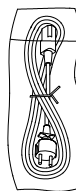
Piedini di gomma
(per l'installazione verticale)



Separatore per rotoli da
58 mm di larghezza



Trasformatore CA
(Modello standard)



Cavo di alimentazione

2. Trasformatore CA

Utilizzare solo il trasformatore CA sotto specificato.

Articolo	N.	Note
Trasformatore CA	KA02951-0120	Ingresso: 100-240 V CA, 50-60 Hz Uscita: 24 V \pm 5%, 1,5 A

⚠ Attenzione: Usare solo i trasformatori CA approvati dal produttore.

⚠ Attenzione: Non usare il trasformatore CA in dotazione per apparecchiature elettriche diverse da questa stampante.

3. Specifiche della carta

Utilizzare solo rotoli di carta termica del tipo sotto specificato.

3-1. Larghezza della carta

- Carta da 80 mm $80mm_{-1,0}^0$
- Carta da 58 mm $58mm_{-1,0}^0$

3-2. Spessore della carta

- 65 - 85 μ m

3-3. Rotolo di carta

- Diametro esterno: $\varnothing 83$ mm o inferiore
- Diametro del supporto centrale: $\varnothing 12 \pm 0,5$ mm (interno) /
 $\varnothing 18 \pm 0,5$ mm (esterno)
- Superficie di stampa: Lato esterno del rotolo
- Trattamento dell'estremità della carta:
La carta non deve essere incollata al supporto centrale.
L'estremità della carta non deve essere ripiegata.

⚠ Attenzione: Non utilizzare rotoli che presentino i lati ruvidi o frammenti di carta sporgenti sui lati. Queste caratteristiche potrebbero rendere instabile l'alimentazione della carta e causare problemi durante la stampa.

3-4. Carta termica consigliata

Produttore	Nome del prodotto	Caratteristiche di qualità	Spessore della carta	Densità
Oji Paper Co., Ltd.	PD160R	Carta termica per stampa monocromatica (tipo a lunga conservazione)	75 µm	100%
	PD190R	Carta termica per stampa monocromatica (tipo a media conservazione)	75 µm	100%
Nippon Paper Industries Co., Ltd.	TF60KS-E	Carta termica per stampa monocromatica (tipo normale)	75 µm	100%
	TP60KS-F1	Carta termica per stampa monocromatica (tipo a media conservazione)	75 µm	100%
	TF50KS-E	Carta termica per stampa monocromatica (tipo normale)	65 µm	100%
	TF62KS-E	Carta termica per stampa monocromatica (tipo normale)	85 µm	100%

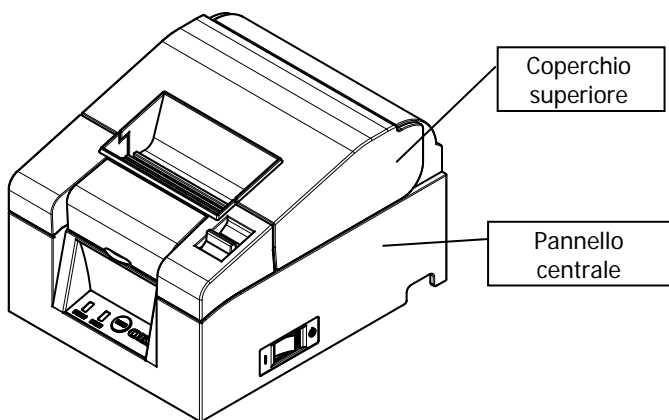
⚠ Attenzione: L'uso di un tipo di carta non consigliato potrebbe danneggiare la testina, causare una bassa qualità di stampa, ecc.

4. Preparazione

Il cavo di collegamento non è incluso nella dotazione della stampante. Procurarsi un cavo di collegamento idoneo al tipo di interfaccia del prodotto. In caso di dubbi, rivolgersi al proprio rivenditore. Prima di collegare o scollegare i cavi, eseguire i seguenti controlli:

- (1) La stampante e tutti i dispositivi ad essa collegati devono essere spenti.
- (2) Il cavo di alimentazione del trasformatore CA deve essere staccato dalla presa.

⚠ Attenzione: Quando si collegano i cavi o quando si sposta la stampante, tenere l'apparecchio per il pannello centrale su entrambi i lati. Tenendo la stampante per il coperchio superiore, questo potrebbe aprirsi.



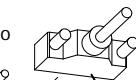
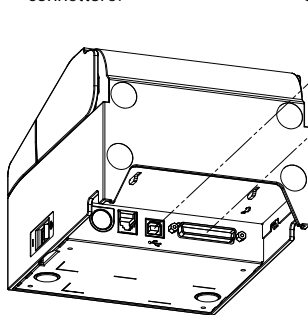
4-1. Collegamento del cavo di interfaccia (alla stampante)

4-1-1 Stampanti con interfaccia seriale e USB

Modello standard

Cavo di interfaccia USB, tipo B

* Collegare la stampante al PC usando questo connettore.



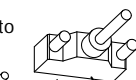
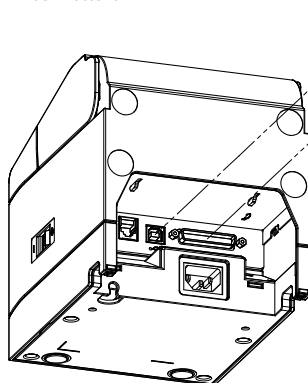
Cavo di interfaccia seriale

* Usare le viti per fissare il connettore dopo il collegamento.

Modello con alimentatore integrato

Cavo di interfaccia USB, tipo B

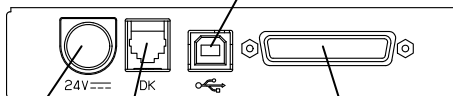
* Collegare la stampante al PC usando questo connettore.



Cavo di interfaccia seriale

* Usare le viti per fissare il connettore dopo il collegamento.

Interfaccia USB
Connettore di tipo B



Connettore di
alimentazione

Connettore per
interfaccia seriale

Connettore per cassetto

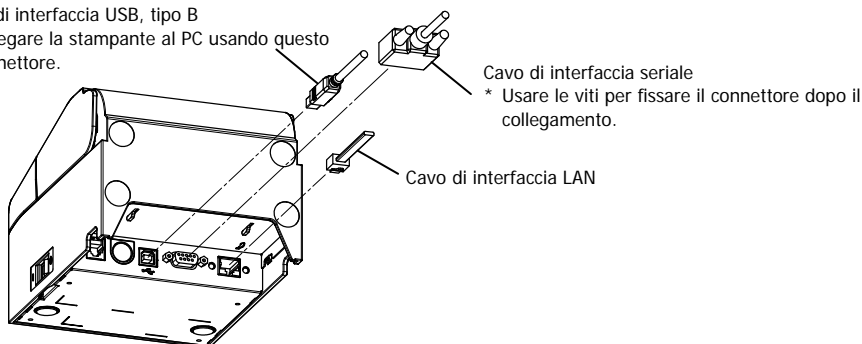
⚠ Attenzione: L'interfaccia seriale e l'interfaccia USB non possono essere collegate simultaneamente.

4-1-2 Stampanti con interfaccia seriale, USB e LAN

Modello standard

Cavo di interfaccia USB, tipo B

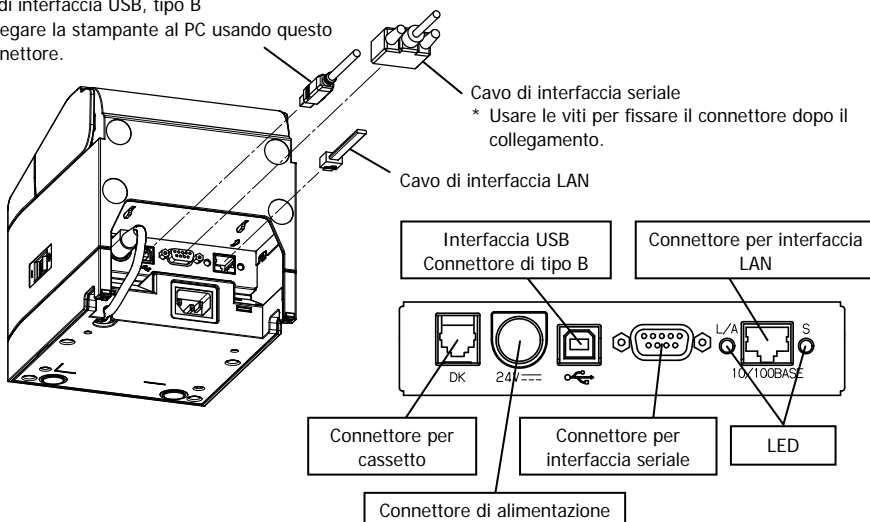
* Collegare la stampante al PC usando questo connettore.



Modello con alimentatore integrato

Cavo di interfaccia USB, tipo B

* Collegare la stampante al PC usando questo connettore.

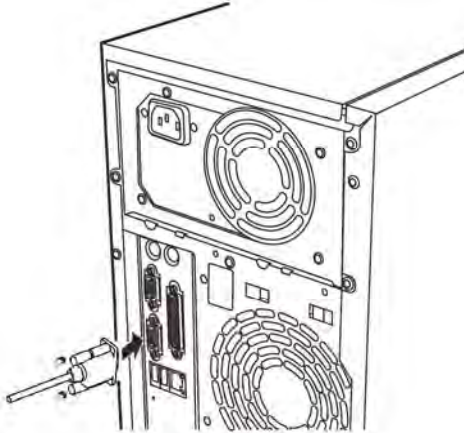


- ⚠ Attenzione:** Non è possibile collegare contemporaneamente più interfacce.
- ⚠ Attenzione:** Anche se la stampante supporta 3 interfacce diverse, la configurazione predefinita prevista in fabbrica è con impostazioni LAN. Pertanto, se si desidera utilizzare le interfacce USB o seriale, prima di utilizzare la stampante è necessario modificare le impostazioni. Per ulteriori dettagli su come modificare le impostazioni di configurazione, vedere la sezione "9-4. Impostazioni della configurazione LAN".

4-2. Collegamento del cavo di interfaccia (al PC)

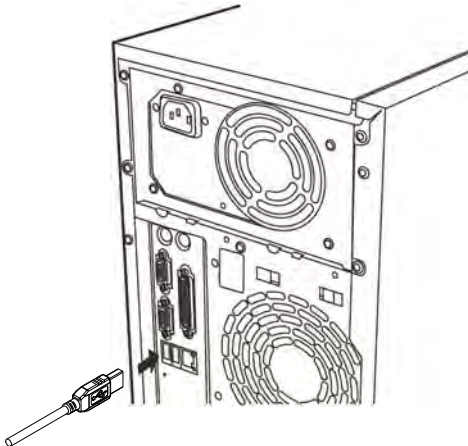
4-2-1 Interfaccia seriale

- (1) Collegare il connettore del cavo di interfaccia seriale alla porta seriale del computer come indicato nella figura.



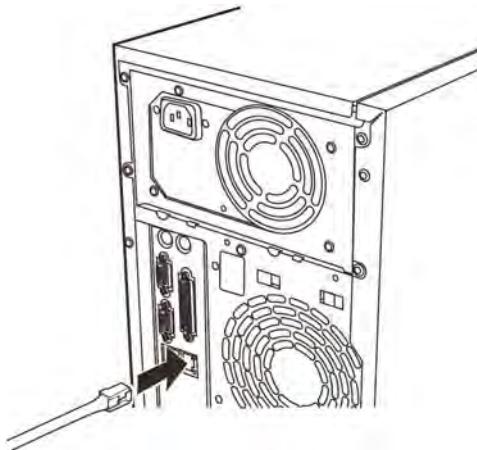
4-2-2 Interfaccia USB

- (1) Collegare il connettore del cavo di interfaccia USB alla porta USB del computer come indicato nella figura.



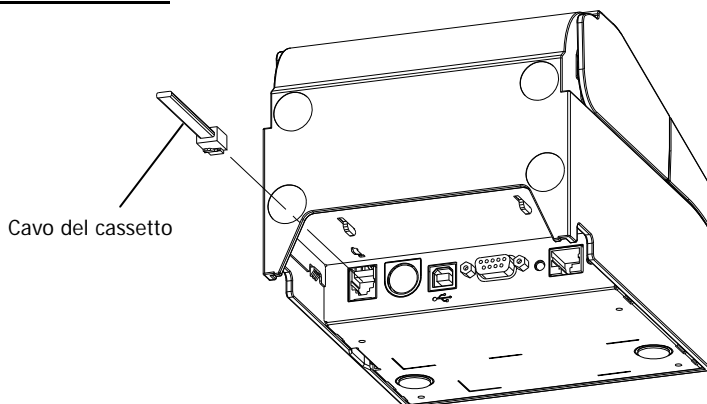
4-2-3 Interfaccia LAN

- (1) Collegare il connettore del cavo di interfaccia LAN alla porta LAN del computer come indicato nella figura.

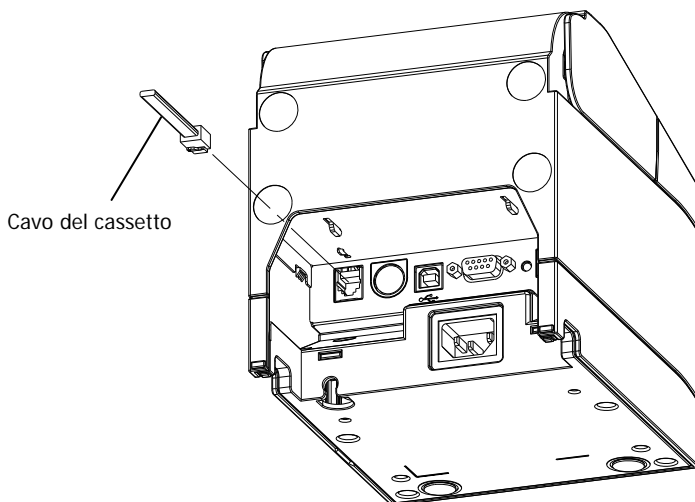


4-3. Collegamento del cavo del cassetto

Modello standard



Modello con alimentatore integrato

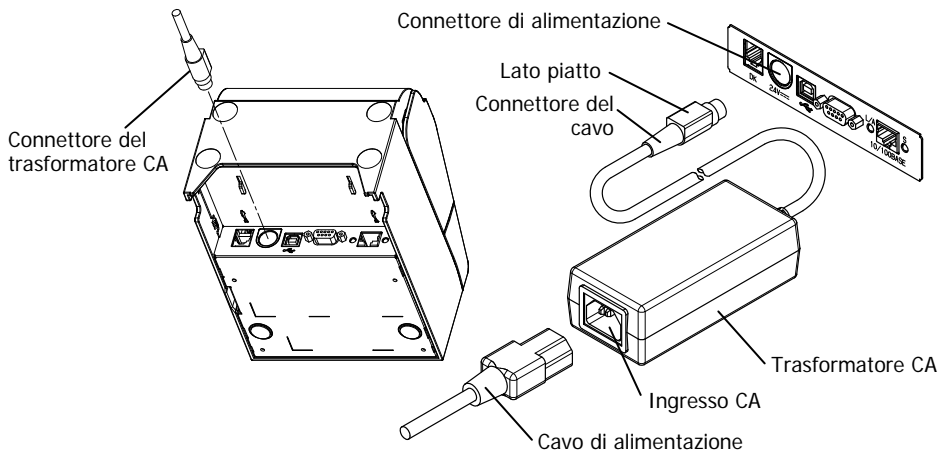


⚠ Attenzione: Questo prodotto utilizza un connettore speciale per il collegamento del cassetto. Non utilizzare altri tipi di connettori, ad esempio quelli utilizzati per le linee telefoniche.

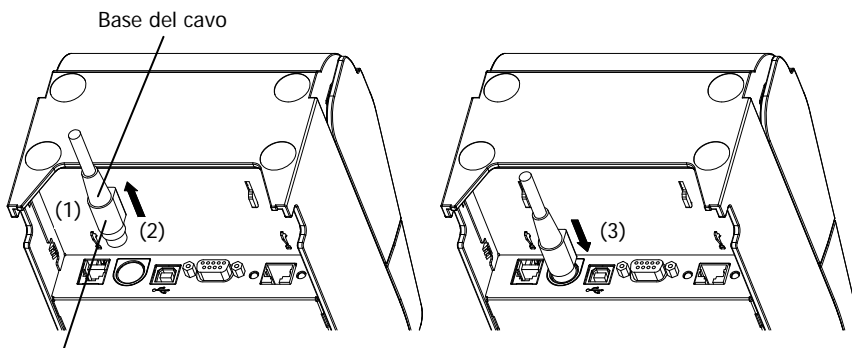
4-4. Collegamento del trasformatore CA e del cavo di alimentazione

Modello standard

- (1) Collegare il connettore del trasformatore CA alla presa di alimentazione.

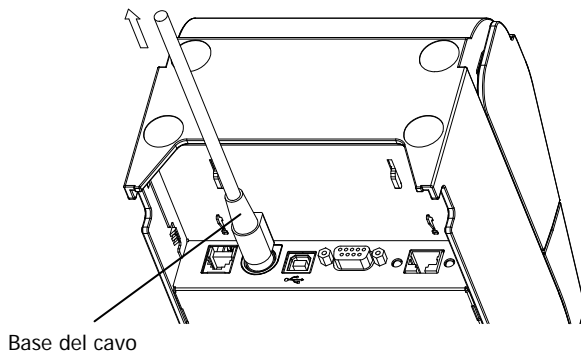


- ⚠ **Attenzione:** Prima di collegare il trasformatore CA, spegnere l'interruttore di alimentazione della stampante e tutti i dispositivi collegati alla stampante. Staccare inoltre il cavo di alimentazione del trasformatore CA dalla presa.
- ⚠ **Attenzione:** Usare solo i trasformatori CA specificati.
- ⚠ **Attenzione:** Per semplificare l'operazione, collegare il trasformatore con il dispositivo in posizione verticale.
- ⚠ **Attenzione:** Il connettore è realizzato in modo da agganciarsi in posizione per evitare il distacco; per inserirlo correttamente, (1) afferrare la base del cavo con una mano, (2) far scorrere la parte esterna del connettore verso l'alto con l'altra mano (3) e spingere finché il connettore si blocca in posizione.

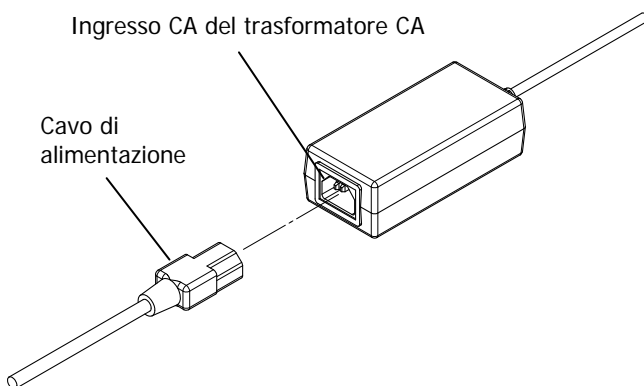


Sezione esterna del connettore

- (2) Verificare che il cavo sia bene innestato tirando leggermente la base dopo il collegamento.



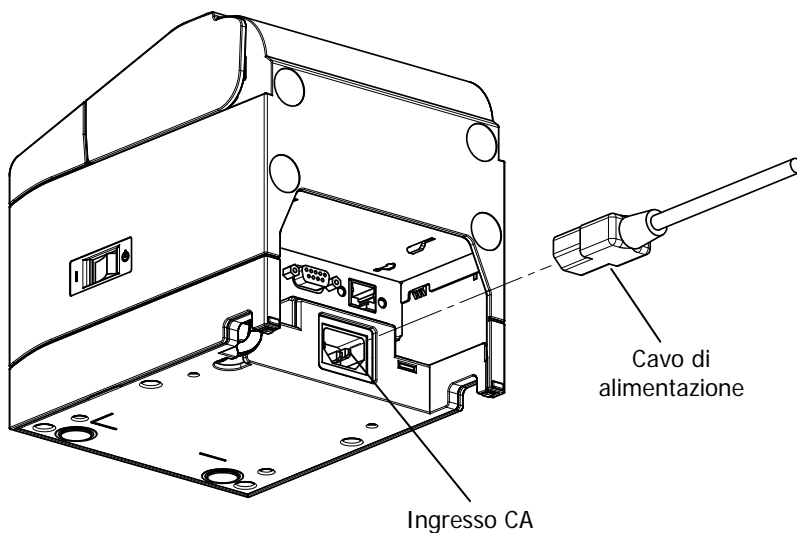
- (3) Collegare il connettore di alimentazione all'ingresso CA del trasformatore CA.



- (4) Inserire la spina del cavo di alimentazione nella presa.

Modello con alimentatore integrato

(1) Collegare il connettore di alimentazione all'ingresso CA.

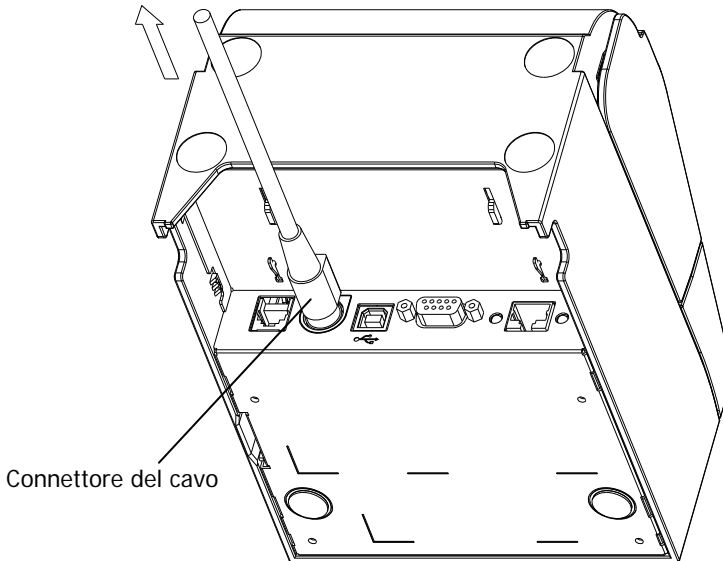


- ⚠ Attenzione:** Prima di collegare il cavo di alimentazione, spegnere l'interruttore di alimentazione della stampante e tutti i dispositivi collegati alla stampante. Staccare inoltre il cavo di alimentazione dalla presa.
- ⚠ Attenzione:** Per semplificare l'operazione, collegare il cavo di alimentazione con il dispositivo in posizione verticale.
- ⚠ Attenzione:** Se il dispositivo deve essere installato verticalmente, usare un cavo di alimentazione ad angolo retto.

(2) Inserire la spina del cavo di alimentazione nella presa.

4-5. Distacco del trasformatore CA

Per staccare il cavo del trasformatore CA, tirarlo stringendo il connettore come indicato nella figura seguente. Il meccanismo di blocco si sgancia, facilitando la rimozione. L'estrazione forzata del cavo potrebbe danneggiare il connettore.



- ⚠ Attenzione:** Prima di staccare il trasformatore CA, spegnere l'interruttore di alimentazione della stampante e tutti i dispositivi collegati alla stampante. Staccare inoltre il cavo di alimentazione del trasformatore CA dalla presa.
- ⚠ Attenzione:** Per semplificare l'operazione, rimuovere il trasformatore tenendo il dispositivo in posizione verticale.

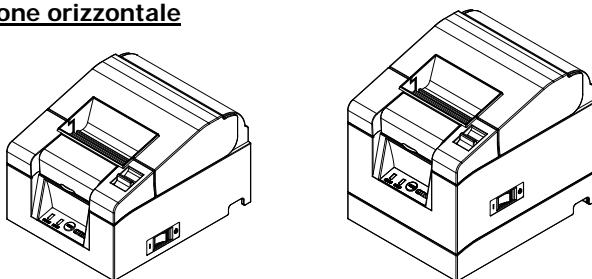
4-6. Installazione della stampante

La stampante può essere installata sia in posizione orizzontale (con l'uscita della carta sul lato superiore) che in posizione verticale (con l'uscita della carta sul lato anteriore).

Se la stampante viene installata verticalmente, l'applicazione della copertura paraspruzzi opzionale permette di proteggere il dispositivo dall'acqua.

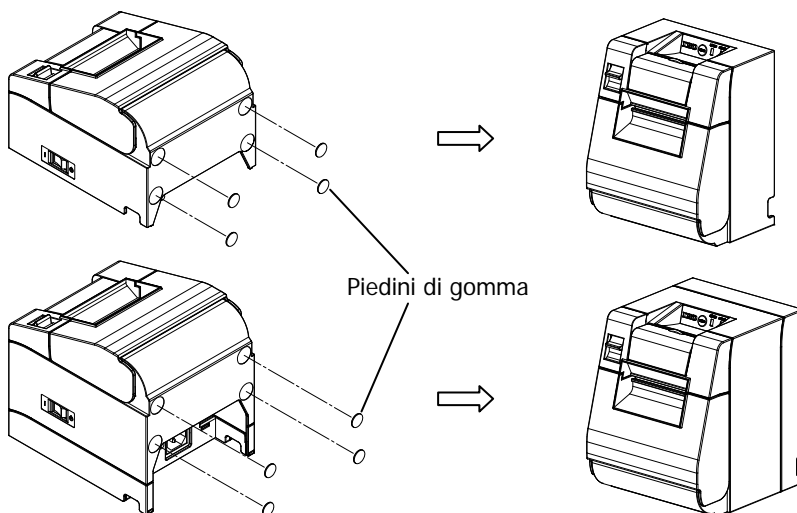
La stampante può anche essere fissata alla parete con l'aiuto della staffa di sospensione opzionale.

Installazione orizzontale



Installazione verticale

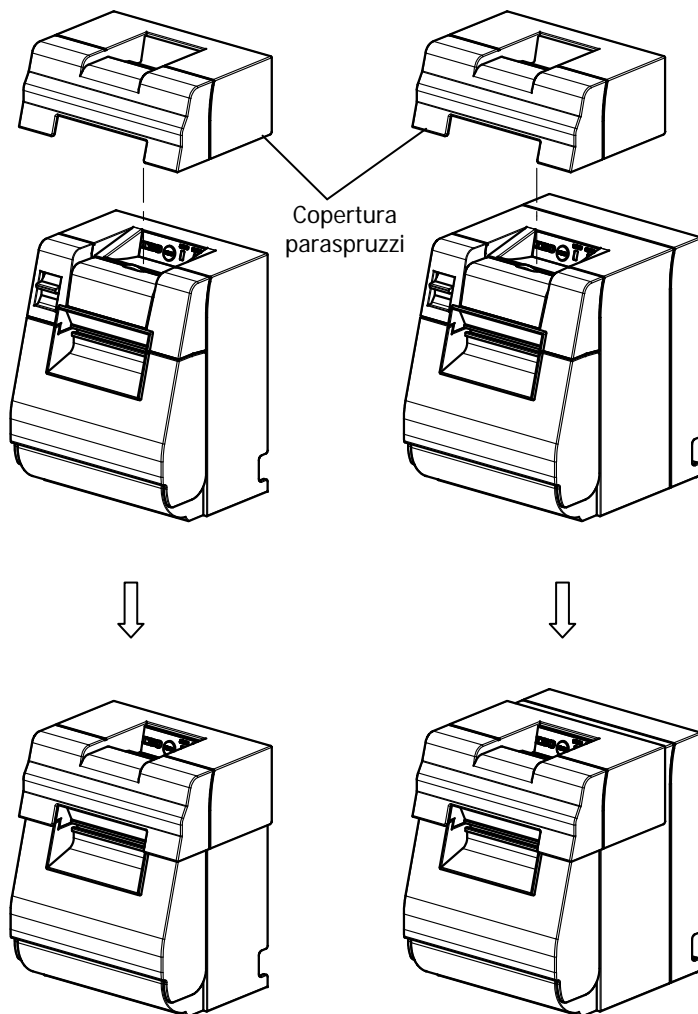
Se la stampante viene installata verticalmente, applicare i piedini di gomma in dotazione nelle rientranze rotonde del pannello posteriore.



⚠ Attenzione: Prima di applicare i piedini di gomma, pulire bene le rientranze.

Copertura paraspruzzi (opzionale)

Se la stampante viene installata verticalmente, montare la copertura paraspruzzi sul lato superiore.

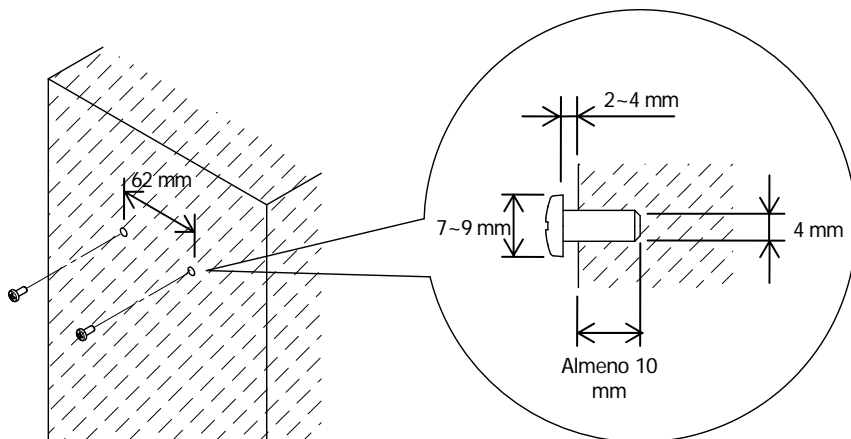


⚠ Attenzione: La copertura paraspruzzi serve solo per l'installazione verticale della stampante.

Staffa di sospensione a parete (opzionale)

Per fissare la stampante alla parete, procedere come segue:

- (1) Inserire due viti di metallo (diametro filettatura: $\varnothing 4$ mm, diametro testa: $\varnothing 7$ mm) nella parete, allineandole in direzione orizzontale a una distanza di 62 mm, in modo che ogni vite sia inserita nel muro per almeno 10 mm e sporga all'esterno di 2-4 mm.



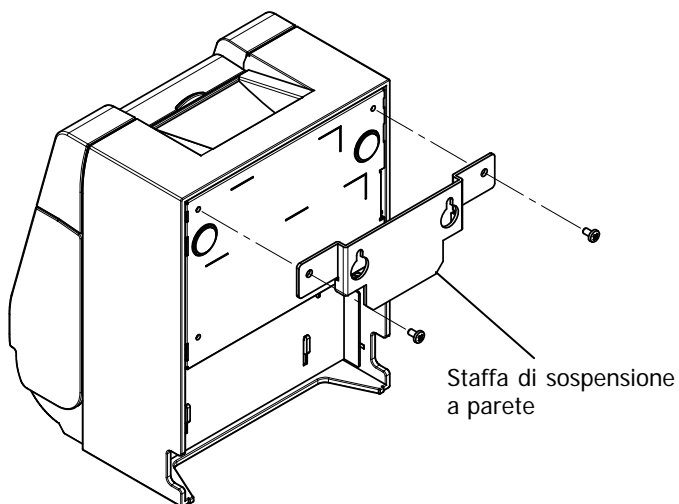
⚠ Attenzione: Per fissare saldamente la stampante, montare la staffa di sospensione su una parete di legno, calcestruzzo o metallo. Lo spessore della parete dovrebbe misurare almeno 10 cm.

Usare viti di metallo.

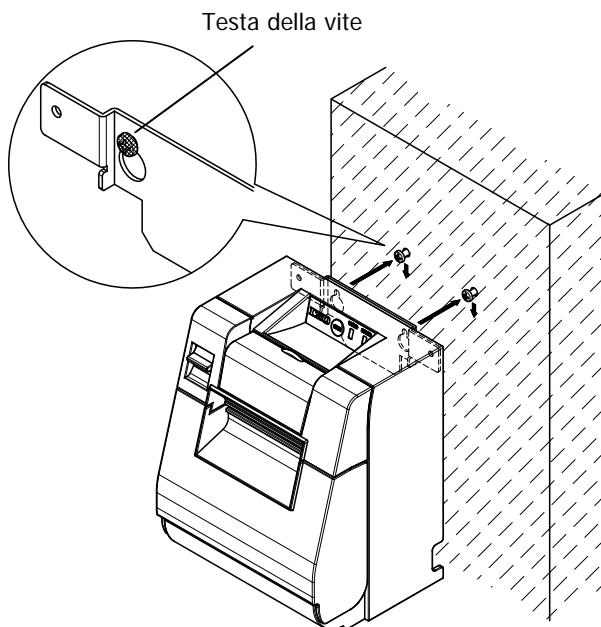
Le viti inserite nella parete dovrebbero resistere a una forza di trazione di almeno 150 N (15,3 kgf).

⚠ Attenzione: L'installazione a parete è possibile solo per le stampanti che utilizzano un trasformatore CA esterno (modello standard).

- (2) Applicare la stampante alla staffa di sospensione a parete e fissarla con le viti in dotazione.



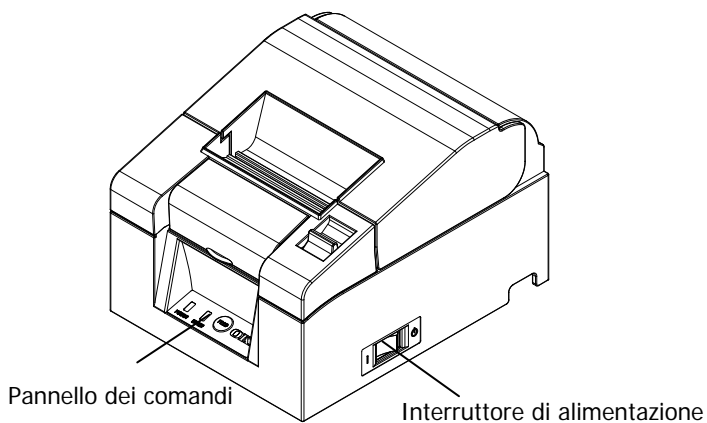
- (3) Allineare i fori della staffa di sospensione a parete con le viti inserite nel muro e agganciare saldamente la stampante.



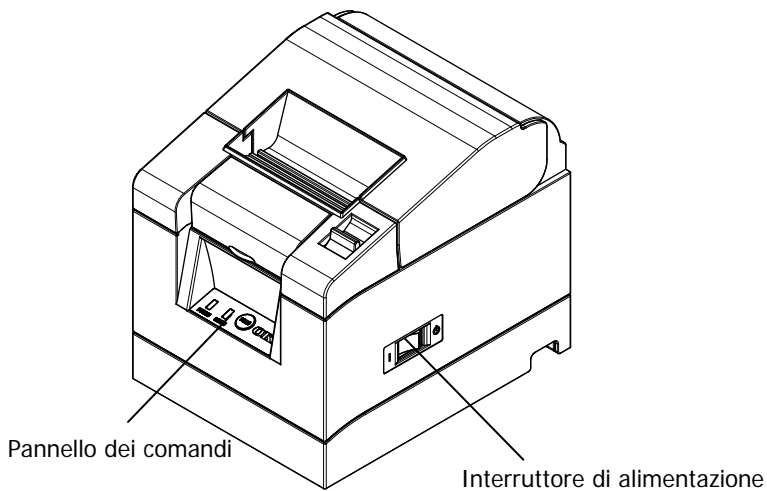
4-7. Accensione

- (1) Collegare il cavo di alimentazione come descritto nella sezione 4-4 precedente.
- (2) Accendere l'interruttore di alimentazione situato sul lato della stampante. Premendo l'interruttore, la spia POWER sul pannello dei comandi si accende.

Modello standard



Modello con alimentatore integrato



4-8. Installazione del software della stampante

Per le istruzioni sull'installazione dei driver e del software di utilità della stampante, vedere la "Installation Guide" (Guida all'installazione) (*1) contenuta nel CD in dotazione.

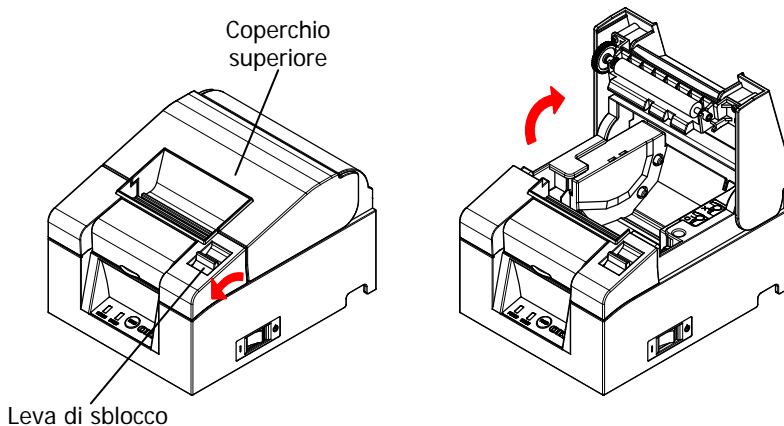
*1: \Manuals\PT340-341_InstallGuide_en.pdf

La "Installation Guide" (Guida all'installazione) può anche essere visualizzata caricando il CD nel lettore del PC e selezionando "Manuals" nella schermata "Setup".

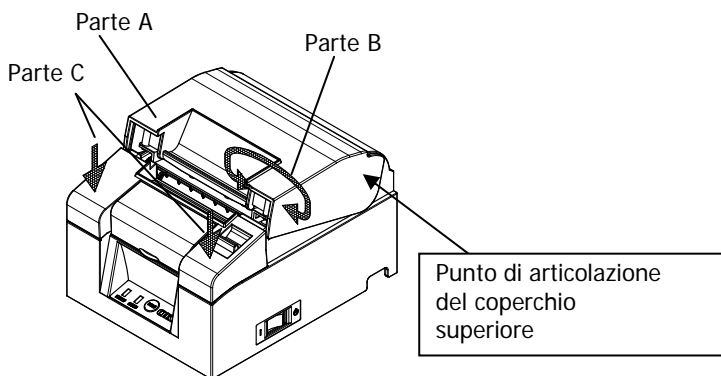
5. Inserimento della carta

5-1. Apertura del coperchio superiore

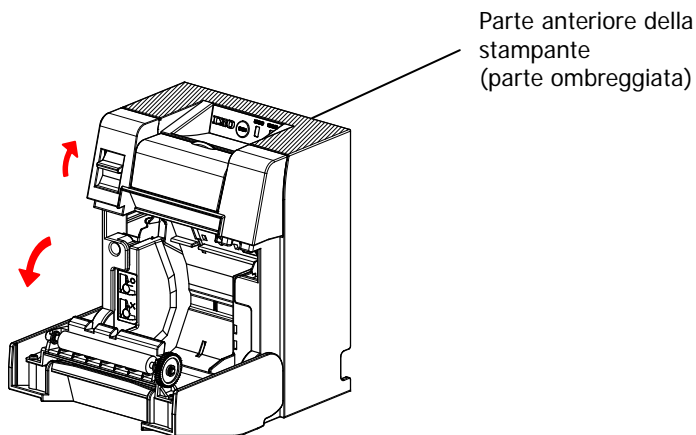
(1) Tirare la leva di sblocco in direzione della freccia e aprire il coperchio superiore.



⚠ Attenzione: Sollevare il coperchio fino alla posizione verticale, in modo che rimanga aperto.



⚠ Attenzione: Per aprire il coperchio, tenere ferma la stampante facendo pressione sulla parte C e sollevare la parte A o la parte B. Per evitare di schiacciarsi le dita, non appoggiarle vicino alla zona di articolazione del coperchio superiore.



⚠ Attenzione: Quando la stampante è installata verticalmente, tenere ferma la parte anteriore (la parte ombreggiata nella figura qui sopra) per aprire il coperchio superiore.

5-2. Selezione della larghezza della carta (58 mm / 80 mm)

L'impostazione di fabbrica per la larghezza della carta è di 80 mm. Per usare un rotolo di carta di questa larghezza, seguire le istruzioni della sezione "5-3. Caricamento della carta".

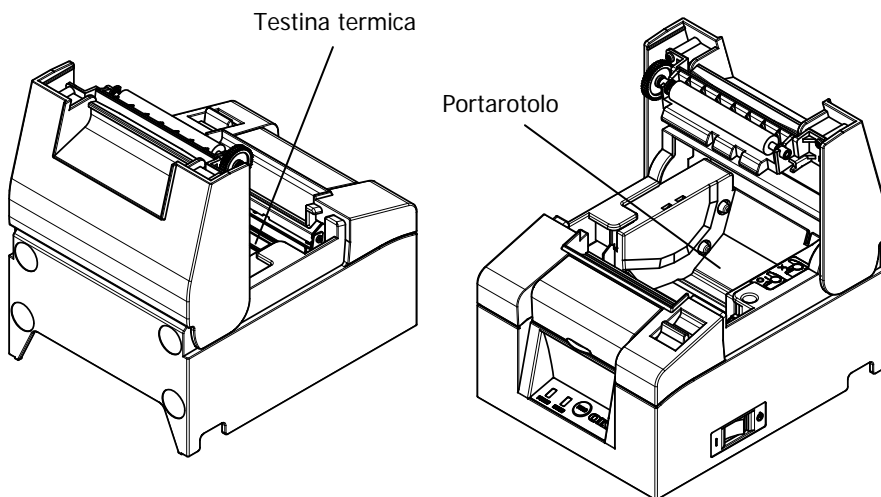
Per usare un rotolo da 58 mm di larghezza, applicare prima il separatore seguendo le istruzioni della sezione "5-2-1. Applicazione del separatore", quindi caricare il rotolo di carta.

La sezione "9-2. Modifica delle impostazioni" spiega come impostare la "Larghezza della carta" scegliendo tra "58 mm/35 colonne" o "58 mm/32 colonne".

⚠ Attenzione: Non cambiare la larghezza della carta da 58 mm a 80 mm mentre è in corso la stampa. Quando si utilizza la carta di larghezza inferiore, una parte della testina termica può entrare direttamente a contatto con la parte del rullo di trascinamento non occupata dalla carta. Questo può causare l'usura della testina e un peggioramento della qualità di stampa.

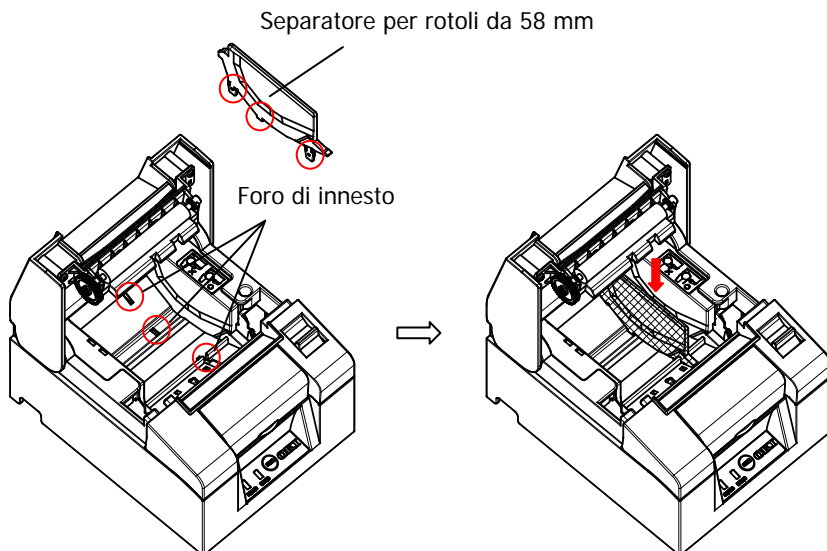
Inoltre, poiché anche la lama della taglierina agisce su sezioni senza carta, anche la lama può consumarsi e causare tagli meno precisi.

⚠ Attenzione: Poiché la testina termica può essere danneggiata dall'elettricità statica, evitare di toccarla per scopi diversi dalle operazioni di pulizia.



5-2-1 Applicazione del separatore

- (1) Allineare le tre sporgenze del separatore per rotoli da 58 mm con i fori corrispondenti situati sul corpo della stampante e spingerle in posizione.



- ⚠ **Attenzione:** Spingere il separatore fino allo scatto e verificare che il lato superiore sia orizzontale.
- ⚠ **Attenzione:** Quando si toglie o si inserisce il separatore, seguire le istruzioni della sezione Menu Special Mode per impostare la larghezza della carta e allinearla all'area di stampa.
(Vedere la sezione 9, Menu Special Mode: 9-2. Modifica delle impostazioni.)

5-3. Caricamento della carta

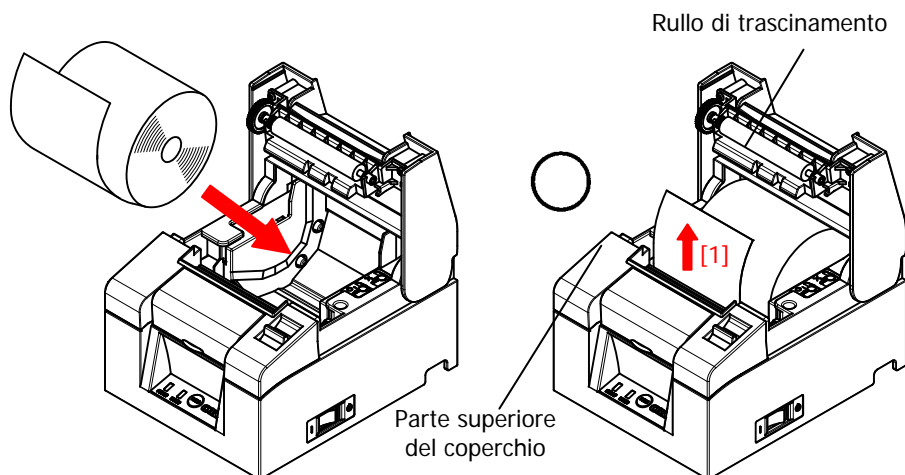
- (1) Per caricare un nuovo rotolo di carta, staccare la parte incollata e il nastro adesivo.

Per sostituire un rotolo di carta esaurito, rimuovere prima il supporto centrale del vecchio rotolo.

⚠Attenzione: Poiché la parte incollata della carta non deve essere utilizzata per la stampa, rimuovere circa un giro completo di carta (circa 30 cm) all'inizio del rotolo, in modo che la carta restante sia completamente priva di adesivo.

I residui di colla potrebbero aderire alla testina termica e causare problemi di stampa, ad esempio aree bianche nella pagina. Si raccomanda perciò di rimuovere sempre la parte incollata della carta.

- (2) Dopo avere inserito il nuovo rotolo di carta con l'orientamento indicato nella figura, tirare l'estremità della carta nella direzione indicata dalla freccia [1].

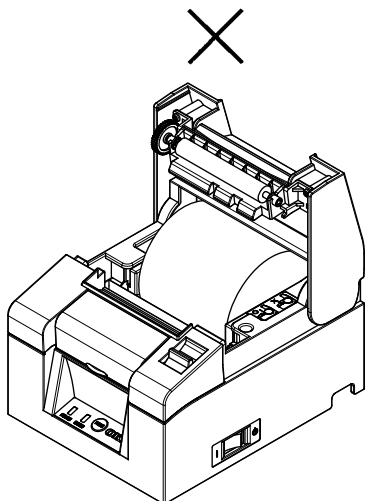


⚠Attenzione: Tirare l'estremità della carta facendola passare sulla parte superiore del coperchio.

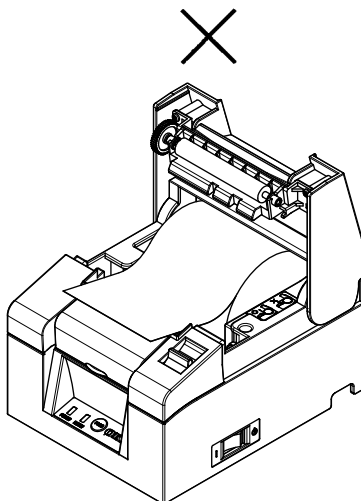
⚠Attenzione: Evitare di danneggiare o ammaccare il rullo di trascinamento.

Eventuali rientranze nel rullo di trascinamento possono causare aree bianche nella stampa e/o errori nell'avanzamento della carta.

⚠ Attenzione: Le modalità di caricamento della carta raffigurate nelle figure seguenti possono causare inceppamenti.

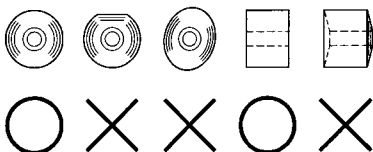


La carta non passa sopra la parte superiore del coperchio.



La carta è stata caricata in modo scorretto.

⚠ Attenzione: Non usare rotoli di carta deformati. L'uso di rotoli che presentino deformazioni simili a quelle illustrate può causare problemi durante la stampa, ad esempio inceppamenti della carta.

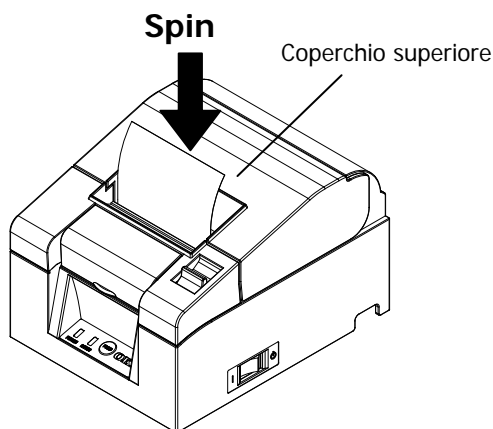


⚠ Attenzione: Se la carta è poco tesa, come indicato nella figura qui sotto, tenderla bene prima di utilizzare il rotolo. L'uso di un rotolo poco teso può causare inceppamenti della carta, oppure impedire di rilevare la condizione di quasi esaurimento della carta.



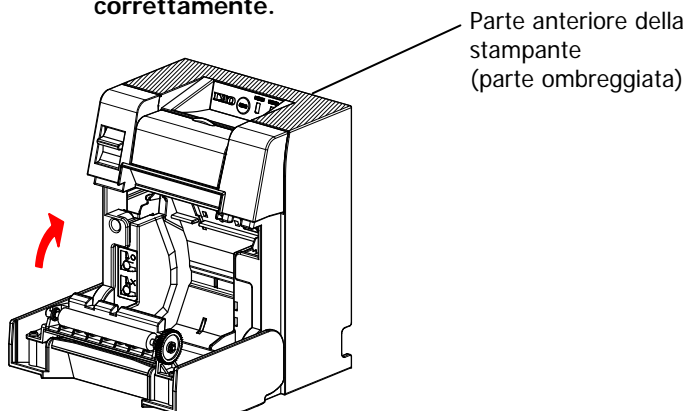
5-4. Chiusura del coperchio superiore

Caricare la carta correttamente e chiudere il coperchio superiore.



⚠ Attenzione: Caricare la carta correttamente. La chiusura del coperchio superiore con la carta posizionata di sbieco può causare inceppamenti della carta o problemi di stampa.

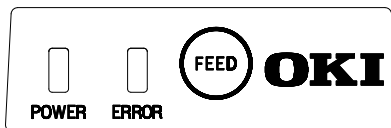
⚠ Attenzione: Per chiudere correttamente il coperchio superiore, premerlo nella parte centrale (indicata dalla freccia nella figura) fino allo scatto. Se il coperchio non è bloccato, la stampante non può operare correttamente.



⚠ Attenzione: Se la stampante è installata verticalmente, tenere ferma la parte anteriore (la parte ombreggiata nella figura qui sopra) durante l'apertura del coperchio superiore.

6. Pannello dei comandi

6-1. Pannello dei comandi



Spia POWER (●)

Se l'interruttore di alimentazione è acceso e la stampante è collegata all'alimentazione elettrica, questa spia si accende.

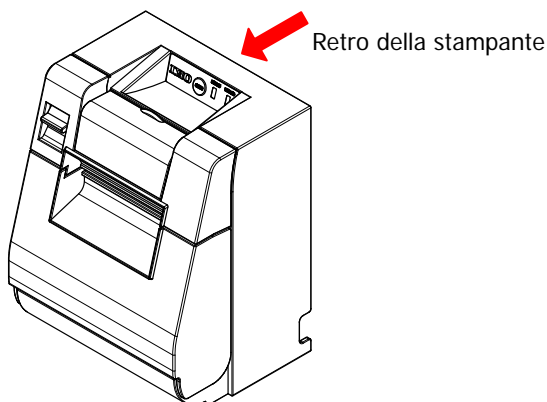
Spia ERROR (●)

Questa spia si accende o lampeggia per indicare un errore.

Tasto FEED

Premendo questo tasto, la stampante fa avanzare la carta di una misura equivalente a una riga.

Tenendo il tasto premuto, la carta avanza in modo continuo.


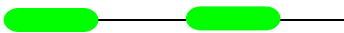


⚠ Attenzione: Se la stampante è installata verticalmente, tenere fermo il retro della stampante quando si preme il tasto FEED per evitare che la stampante si ribalti.

6-2. Indicazioni di errore

Errori reversibili

Stato di errore	LED	Tipo di lampeggio
Carta non presente Carta esaurita	POWER (●)	Spia accesa in modo fisso
	ERROR (●)	Spia accesa in modo fisso
Coperchio aperto	POWER (●)	Spia accesa in modo fisso
	ERROR (●)	Spia accesa in modo fisso
Taglierina inceppata	POWER (●)	Spia accesa in modo fisso
	ERROR (●)	Spia accesa in modo fisso

Stato di errore	LED	Tipo di lampeggio
Carta quasi esaurita	POWER (●)	Spia accesa in modo fisso
	ERROR (●)	
Testina calda	POWER (●)	
	ERROR (●)	● La spia rimane invariata.

Errori irreversibili

Stato di errore	LED	Tipo di lampeggio
Errore interno	POWER (●)	---●---●---
	ERROR (●)	●-----
		Due lampeggi della spia ● e un lampeggio della spia ●
Testina non installata	POWER (●)	---●---●---●---
	ERROR (●)	●-----
		Tre lampeggi della spia ● e un lampeggio della spia ●
Tensione insufficiente	POWER (●)	---●---●---●---●---
	ERROR (●)	●-----
		Quattro lampeggi della spia ● e un lampeggio della spia ●
Tensione eccessiva	POWER (●)	---●---●---●---●---●---
	ERROR (●)	●-----
		Cinque lampeggi della spia ● e un lampeggio della spia ●
Errore del timer di controllo	POWER (●)	---●---●---●---●---●---●---●---
	ERROR (●)	●-----
		Otto lampeggi della spia ● e un lampeggio della spia ●
Errore SPI Flash ROM	POWER (●)	---●---●---●---●---●---●---●---●---
	ERROR (●)	●-----
		Nove lampeggi della spia ● e un lampeggio della spia ●

7. Prevenzione e risoluzione degli inceppamenti della carta

7-1. Prevenzione degli inceppamenti della carta

Non toccare la carta mentre esce dalla stampante o prima che il taglio sia completo.

Se la carta viene premuta o tirata con le mani mentre esce dalla stampante, si possono verificare inceppamenti, tagli non precisi o avanzamenti di riga non corretti.

7-2. Risoluzione degli inceppamenti della carta

In caso di inceppamento della carta, rimuovere la carta come segue:

- (1) Spegner l'interruttore di alimentazione della stampante.
- (2) Tirare la leva di sblocco verso di sé e aprire il coperchio superiore.
Se il coperchio superiore non si apre, seguire le istruzioni della sezione "7-3. Se il coperchio superiore non si apre".
- (3) Tenere ferma la stampante e rimuovere la carta inceppata.

⚠ Attenzione: Per rimuovere la carta, tirarla lentamente senza forzare.

⚠ Attenzione: Poiché la testina termica può essere danneggiata dall'elettricità statica, evitare di toccarla. Inoltre, non toccare la testina termica dopo la stampa perché può essere molto calda.

- (4) Caricare la carta correttamente e chiudere il coperchio superiore.

⚠ Attenzione: Caricare la carta correttamente. La chiusura del coperchio superiore con la carta posizionata di sbieco può causare inceppamenti della carta o problemi di stampa.

⚠ Attenzione: Per chiudere correttamente il coperchio superiore, premerlo nella parte centrale fino allo scatto. Se il coperchio non è bloccato, la stampante non può operare correttamente.

- (5) Accendere l'interruttore di alimentazione della stampante. Verificare inoltre che la spia ERROR sia spenta.

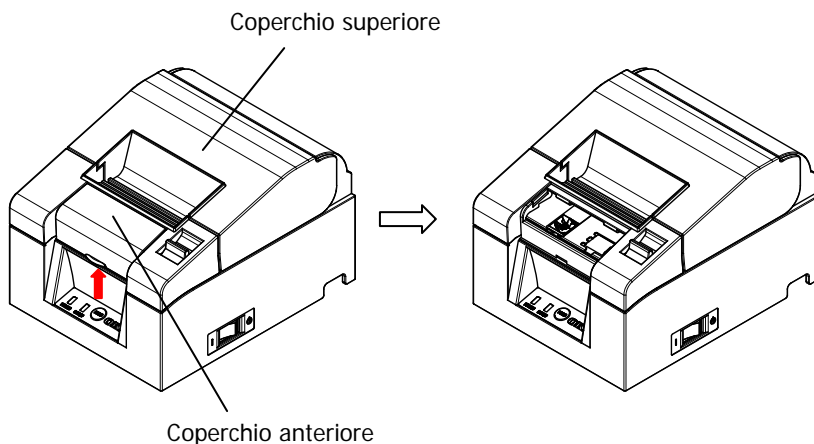
⚠ Attenzione: Poiché i dati di stampa non possono essere ricevuti quando la spia ERROR è accesa, chiudere correttamente il coperchio superiore.

7-3. Se il coperchio superiore non si apre

Se la stampante si è bloccata con la lama della taglierina in posizione sporgente a causa di un'anomalia, ad esempio per un inceppamento della carta, il coperchio superiore non si apre.

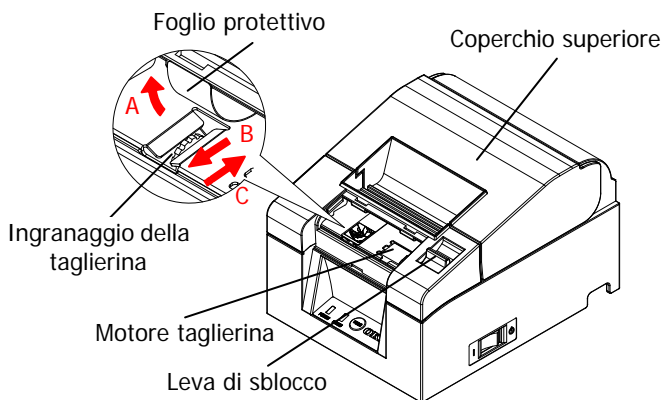
In questo caso, anziché aprirlo forzatamente, procedere come segue:

- (1) Spegnerne l'interruttore di alimentazione della stampante.
- (2) Riaccendere la stampante. La taglierina si riattiverà, e l'inceppamento della carta potrebbe risolversi.
- (3) Tirare la leva di sblocco verso di sé e verificare se il coperchio superiore si apre. In caso affermativo, spegnere nuovamente la stampante e seguire le istruzioni dal punto (6) in avanti per risolvere l'inceppamento. Se il coperchio superiore continua a non aprirsi dopo l'accensione della stampante, spegnerla nuovamente e seguire le istruzioni dal punto (4) in avanti per risolvere l'inceppamento.
- (4) Rimuovere il coperchio anteriore sollevandolo come indicato dalla freccia.

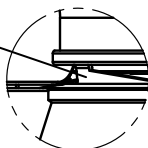


- (5) Sollevare il foglio protettivo come indicato dalla freccia A e ruotare l'ingranaggio della taglierina nella direzione indicata dalla freccia B tirando la leva di sblocco verso di sé.

Se la lama della taglierina non si muove facendo ruotare l'ingranaggio e il coperchio superiore continua a non aprirsi, tirare la leva di sblocco verso di sé e ruotare l'ingranaggio della taglierina nella direzione opposta (indicata dalla freccia C) finché si riesce ad aprire il coperchio superiore.

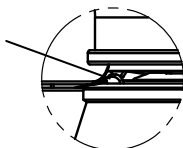


La lama della taglierina è in posizione sporgente

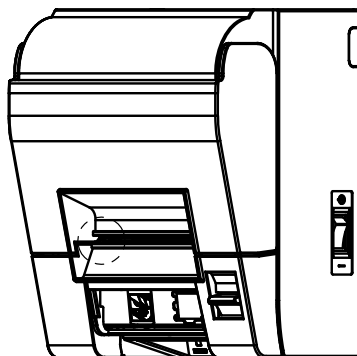


Il coperchio superiore non si apre

La lama della taglierina è in posizione ritratta



Il coperchio superiore si apre



- ⚠ Attenzione:** Non toccare il motore della taglierina dopo la stampa, perché può essere molto caldo.
- ⚠ Attenzione:** Non toccare la taglierina, perché il filo della lama è tagliente e pericoloso.
- ⚠ Attenzione:** se non si riesce ad aprire il coperchio superiore ruotando l'ingranaggio della taglierina nelle due direzioni, rivolgersi al servizio di assistenza.

(6) Aprire il coperchio superiore e rimuovere la carta inceppata tenendo ben ferma la stampante.

⚠ Attenzione: Per rimuovere la carta, tirarla lentamente senza forzare.

⚠ Attenzione: Poiché la testina termica può essere danneggiata dall'elettricità statica, evitare di toccarla. Inoltre, non toccare la testina termica dopo la stampa perché può essere molto calda.

(7) Caricare la carta correttamente e chiudere il coperchio superiore.

⚠ Attenzione: Caricare la carta correttamente. La chiusura del coperchio superiore con la carta posizionata di sbieco può causare inceppamenti della carta o problemi di stampa.

⚠ Attenzione: Per chiudere correttamente il coperchio superiore, premerlo nella parte centrale fino allo scatto. Se il coperchio non è bloccato, la stampante non può operare correttamente.

(8) Accendere la stampante premendo l'interruttore di alimentazione. Verificare inoltre che la spia ERROR sia spenta.

⚠ Attenzione: Poiché i dati di stampa non possono essere ricevuti quando la spia ERROR è accesa, chiudere correttamente il coperchio superiore.

8. Risoluzione dei problemi

In questa sezione sono descritte le soluzioni ai problemi di malfunzionamento e qualità di stampa.

8-1. Problemi all'accensione e altri errori

Sintomo	Causa	Soluzione
La stampante è stata accesa ma la spia POWER sul pannello dei comandi non si accende e la stampante non si avvia.	(1) Il cavo di alimentazione non è collegato. (2) Il trasformatore CA non è collegato.	(1) Collegare il cavo di alimentazione. * Vedere la sezione 4-4. Collegamento del trasformatore CA e del cavo di alimentazione. (2) Collegare il connettore del trasformatore CA. * Vedere la sezione 4-4. Collegamento del trasformatore CA e del cavo di alimentazione.
Si accende la spia ERROR sul pannello dei comandi e la stampante non funziona.	(1) La carta non è inserita. (2) Il coperchio superiore non è completamente chiuso. (3) La testina termica è troppo calda.	(1) Caricare la carta. * Vedere la sezione 5. Inserimento della carta. (2) Chiudere completamente il coperchio superiore. * Vedere la sezione 5. Inserimento della carta. (3) Attendere che la testina termica si raffreddi.

8-2. Problemi di taglio della carta

Sintomo	Causa	Soluzione
La carta non viene tagliata.	(1) La lama della taglierina è danneggiata o consumata. (2) Presenza di frammenti di carta o di altri materiali estranei intorno alla taglierina o alla sezione scorrevole.	(1) Spegnerla stampante e richiedere un intervento di riparazione. (2) Rimuovere i frammenti di carta o i materiali estranei.
La taglierina non torna alla posizione corretta.	Presenza di frammenti di carta o di altri materiali estranei intorno alla taglierina o alla sezione scorrevole.	Rimuovere i frammenti di carta o i materiali estranei.

8-3. Problemi di stampa

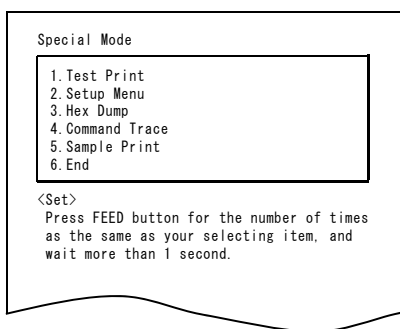
Sintomo	Causa	Soluzione
La stampante non stampa.	<p>(1) Il cavo di interfaccia non è collegato o è guasto.</p> <p>(2) La stampante non è impostata correttamente.</p>	<p>(1) Collegare correttamente il cavo di interfaccia, oppure sostituirlo. * Vedere la sezione 4-1. Collegamento del cavo di interfaccia</p> <p>(2) Modificare le impostazioni. Esempio: la velocità di trasmissione non è corretta * Vedere la sezione 9-2,9-4. Modifica delle impostazioni.</p>
La stampa è troppo scura o poco nitida.	<p>(1) La densità di stampa impostata non è corretta.</p> <p>(2) La testina termica è danneggiata.</p>	<p>(1) Impostare la densità di stampa e/o la velocità di stampa corretta per la carta utilizzata. * Vedere la sezione 9-2. Modifica delle impostazioni.</p> <p>(2) Spegnerne la stampante e richiedere un intervento di riparazione.</p>
La stampa è troppo leggera.	<p>(1) La densità di stampa impostata non è corretta.</p> <p>(2) La testina termica è danneggiata.</p>	<p>(1) Impostare la densità di stampa e/o la velocità di stampa corretta per la carta utilizzata. * Vedere la sezione 9-2. Modifica delle impostazioni.</p> <p>(2) Spegnerne la stampante e richiedere un intervento di riparazione.</p>
La stampa è irregolare.	<p>(1) Presenza di frammenti di carta o di altri materiali estranei sugli elementi riscaldanti della testina termica.</p> <p>(2) Le impostazioni non sono corrette.</p> <p>(3) Presenza di materiali estranei sul rullo di trascinamento.</p> <p>(4) La testina termica è danneggiata.</p>	<p>(1) Controllare e pulire la testina termica. * Vedere la sezione 10-3. Pulizia della testina termica</p> <p>(2) Impostare la densità di stampa e/o la velocità di stampa corretta per la carta utilizzata. Modificare le impostazioni. * Vedere la sezione 9-2. Modifica delle impostazioni.</p> <p>(3) Rimuovere i materiali estranei dal rullo di trascinamento. * Vedere la sezione 10-2. Pulizia del rullo di trascinamento</p> <p>(4) Spegnerne la stampante e richiedere un intervento di riparazione.</p>
Sulla stampa compaiono segni verticali.	<p>(1) Presenza o ingresso di materiali estranei nel meccanismo di trasporto della carta.</p> <p>(2) Presenza di materiali estranei sulla testina termica.</p> <p>(3) La testina termica è danneggiata.</p>	<p>(1) Pulire il meccanismo di trasporto della carta. * Vedere la sezione 10-1. Pulizia del portarotolo e del meccanismo di trasporto</p> <p>(2) Pulire la testina termica. * Vedere la sezione 10-3. Pulizia della testina termica</p> <p>(3) Spegnerne la stampante e richiedere un intervento di riparazione.</p>

9. Menu Special Mode (Test Print, Setup Menu...)

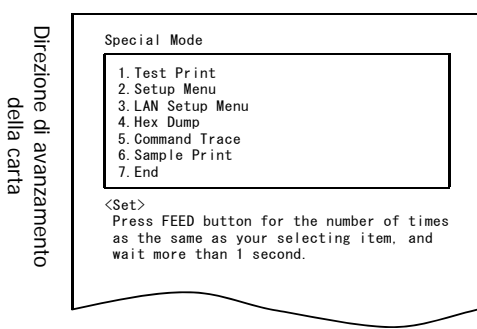
9-1. Stampa di prova

Verificare che la carta sia caricata nella stampante. Spegnerla premendo l'interruttore di alimentazione, quindi riaccenderla premendo il tasto FEED sul pannello dei comandi. Viene prodotta la seguente stampa.

⚠ Attenzione: Tenere premuto il tasto FEED finché la stampante inizia a stampare.



Stampanti con interfaccia seriale e USB



Stampanti con interfaccia seriale, USB e LAN

Direzione di avanzamento della carta

Premendo il tasto FEED **una volta** (per selezionare 1. Test Print) viene eseguita una stampa di prova.

La stampante taglia automaticamente la carta e si interrompe dopo un tempo prestabilito. Per terminare la stampa di prova prima che sia terminata, premere il tasto FEED. La carta viene tagliata e la stampa si interrompe.

Stampa di prova (esempio)

Il numero e la versione del firmware variano a seconda del modello.
 Il numero "123456" è un esempio del numero di serie.

```

PT340-341 Ver1.0
123456

Memory_Switch_1
Power On Status      Enable
Receive Buffer        4KByte
Busy Condition        Bufferfull
Receive Error        ?Print
Auto LF               Disable
DSR(#6)Reset         Disable
INIT(#25)Reset       Disable
USB Soft Reset        Enable

Memory_Switch_2
Cover Open Error     Auto Recovery
Error                 Auto Recovery
Batch (COM IF)        Enable
Batch (Other IF)     Disable
Serial Number         Disable
ASB                   Enable
Font-B               Model

Print
Paper Width           80mm/48columns
Max Speed              220mm/s
Print Density          100%

Hardware
Error Alert           None
Buzzer Interval       Pattern 2
Buzzer Repetition     Three
Graph/User NV-MEM     384KB/192KB
Cut at CoverClose     Disable
PNE Detect             Enable

Interface
Baudrate              115200BPS
Format                 8NONE1
Protocol               DSR/DTR
USB                   Printer

! " # $ % & ' ( ) * + , - . / 0 1 2 3 4
5 6 7 8 9 : ; < = > ? @ A B C D E F G H I
J K L M N O P Q R S T U V W X Y Z [ \ ] ^
_ ~ a b c d e f g h i j k l m n o p q r s
    
```

Stampanti con interfaccia seriale e USB

Direzione di avanzamento della carta

```

PT340-341 Ver2.0
123456

Memory_Switch_1
Power On Status      Enable
Receive Buffer        4KByte
Busy Condition        Bufferfull
Receive Error        ?Print
Auto LF               Disable
DSR(#6)Reset         Disable
USB Soft Reset        Enable

Memory_Switch_2
Cover Open Error     Auto Recovery
Error                 Auto Recovery
Batch (COM IF)        Enable
Batch (Other IF)     Disable
Serial Number         Disable
ASB                   Enable
Font-B               Model

Print
Paper Width           80mm/48columns
Max Speed              220mm/s
Print Density          100%

Hardware
Error Alert           None
Buzzer Interval       Pattern 2
Buzzer Repetition     Three
Graph/User NV-MEM     384KB/192KB
Cut at CoverClose     Disable
PNE Detect             Enable

Interface
Baudrate              115200BPS
Format                 8NONE1
Protocol               DSR/DTR
USB                   Printer

LAN
Mac Address           [xx:xx:xx:xx:xx:xx]
root Password         "*****"
Printer Name          "PT340-341"
DHCP                  Enable
IP Address             192.168. 1. 1
Subnet Mask            255.255.255. 0
Default Gateway        0. 0. 0. 0

SNMP
Authentic Community   "*****"
Trap Community         "public"
Trap Address(IP)       0. 0. 0. 0
SysContact             ""
SysName                ""
SysLocation            ""
EnableAuthenTrap      Disable(2)

! " # $ % & ' ( ) * + , - . / 0 1 2 3 4
5 6 7 8 9 : ; < = > ? @ A B C D E F G H I
J K L M N O P Q R S T U V W X Y Z [ \ ] ^
_ ~ a b c d e f g h i j k l m n o p q r s
    
```

Stampanti con interfaccia seriale, USB e LAN

9-2. Modifica delle impostazioni

Questa sezione spiega come configurare le impostazioni della stampante senza l'uso di un PC.

In alternativa, se la stampante è collegata a un PC Windows, le impostazioni possono essere modificate usando il software di utilità contenuto nel CD in dotazione.

Per istruzioni sull'installazione e l'uso del software di utilità, vedere la "Installation Guide" (Guida all'installazione) e la "Utility User's Guide" (Guida utente utility), contenute nella cartella "Manuals" del CD.

- Guida all'installazione: PT340-341_InstallGuide_en.pdf
- Guida utente utility : PT340-341_UtilityGuide_en.pdf

La "Installation Guide" (Guida all'installazione) e la "Utility User's Guide" (Guida utente utility) possono anche essere visualizzate caricando il CD nel lettore del PC e selezionando "Manuals" nella schermata "Setup".

Esempio: Selezionare una densità di stampa più elevata

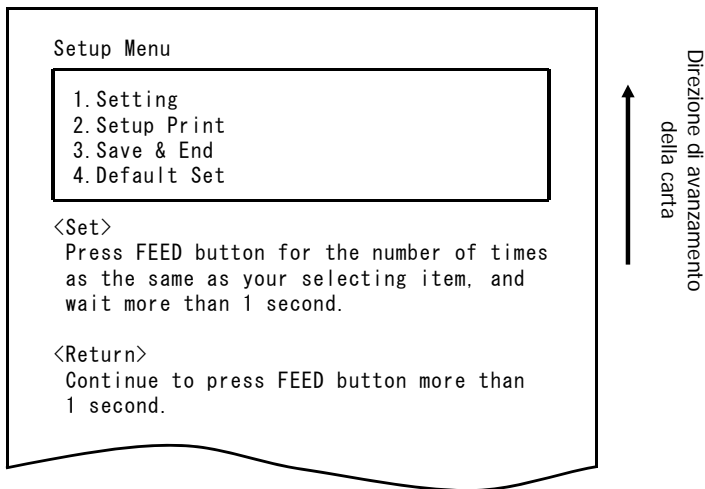
Print Density Modifica del valore dal 100% al 130%

Procedere come segue:

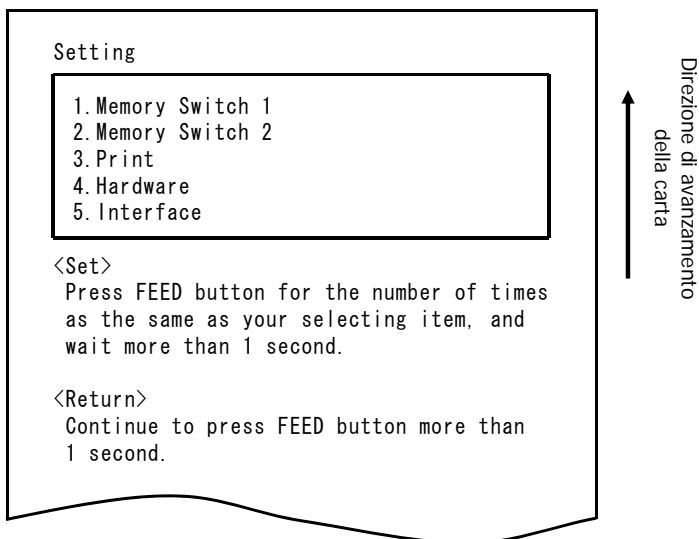
1. Prima di procedere, controllare lo stato della stampante.
 - (1) La stampante è spenta.
 - (2) Il rotolo di carta è caricato.
 - (3) Il coperchio è chiuso.

2. Verificare che la carta sia caricata nella stampante. Spegnerla stampante premendo l'interruttore di alimentazione, quindi riaccenderla premendo il tasto FEED sul pannello dei comandi. Viene prodotta la stampa illustrata nella sezione 9-1.

Premendo il tasto FEED **due volte** (per selezionare 2. Setup Menu), viene attivata la modalità di configurazione e viene stampato il menu seguente.



3. **Premendo** il tasto FEED **una volta** (per selezionare 1. Setting), viene attivata la modalità di impostazione e vengono stampati i seguenti gruppi di parametri.



4. **Premendo** il tasto FEED **tre volte** (per selezionare 3. Print), viene selezionato il gruppo Print (Stampa) e vengono stampate le seguenti opzioni di impostazione.

Print

1. Paper Width	80mm/48columns
2. Max Speed	220mm/s
3. Print Density	100%

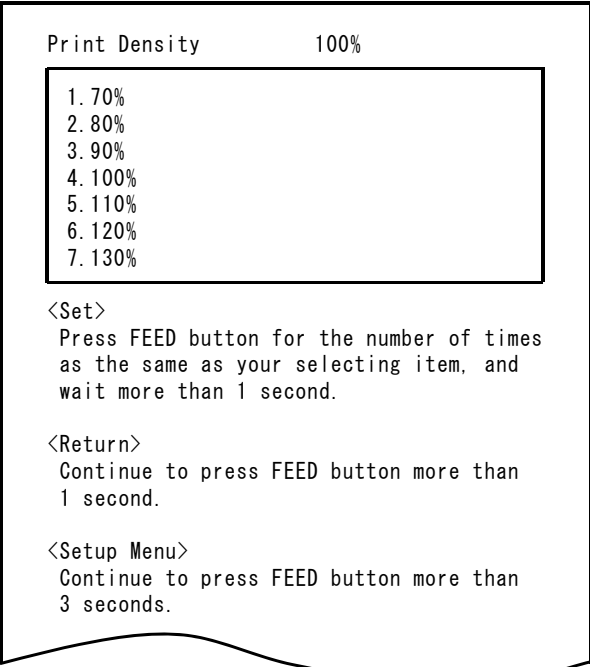
<Set>
Press FEED button for the number of times as the same as your selecting item, and wait more than 1 second.

<Return>
Continue to press FEED button more than 1 second.

<Setup Menu>
Continue to press FEED button more than 3 seconds.

Direzione di avanzamento
della carta
↑

5. **Premendo** il tasto FEED **tre volte** (per selezionare 3. Print Density), viene selezionata l'impostazione Print Density (densità di stampa) e vengono stampate le seguenti impostazioni per la densità di stampa.



Print Density 100%

1. 70%
2. 80%
3. 90%
4. 100%
5. 110%
6. 120%
7. 130%

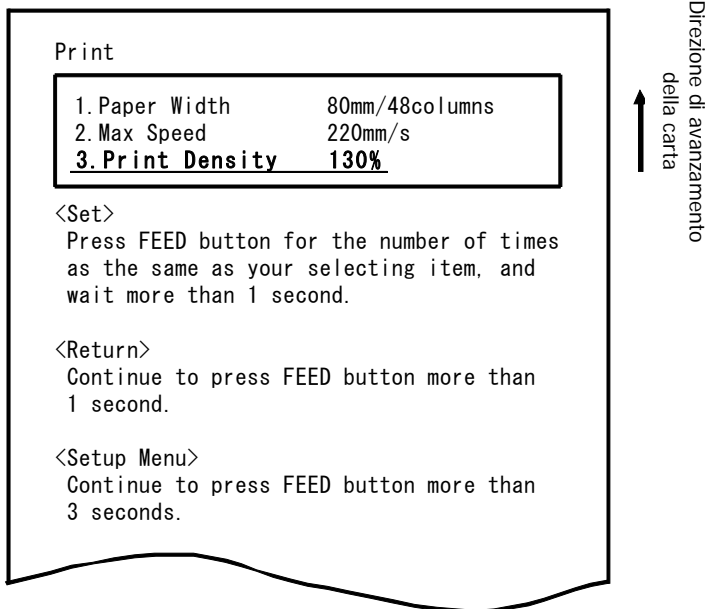
<Set>
Press FEED button for the number of times as the same as your selecting item, and wait more than 1 second.

<Return>
Continue to press FEED button more than 1 second.

<Setup Menu>
Continue to press FEED button more than 3 seconds.

Direzione di avanzamento della carta

6. **Premendo** il tasto FEED **sette volte** (per selezionare 7. 130%), si torna al gruppo di parametri Print.
Le voci modificate appaiono in grassetto e sottolineate.



Per tornare al livello precedente (<Return>)

Vedere la sezione 7-1

Per tornare direttamente al menu di configurazione (<Setup Menu>)

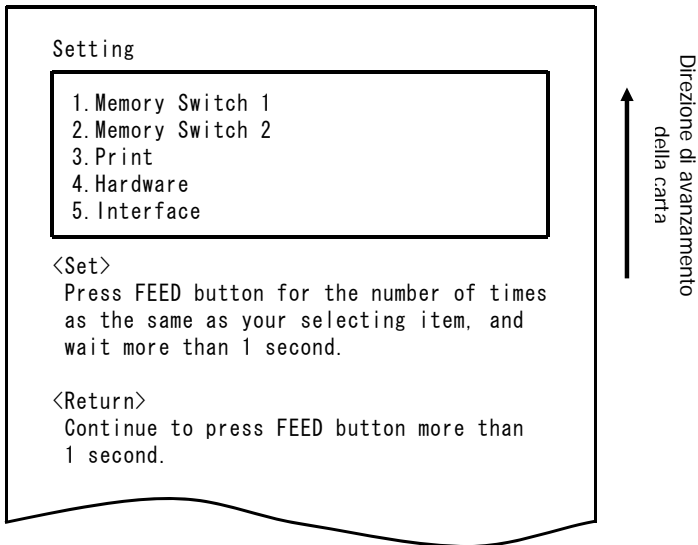
Vedere la sezione 7-2

7-1. Ritorno al livello precedente

Premere il tasto FEED per **almeno 1 secondo** finché la stampante emette due segnali acustici.

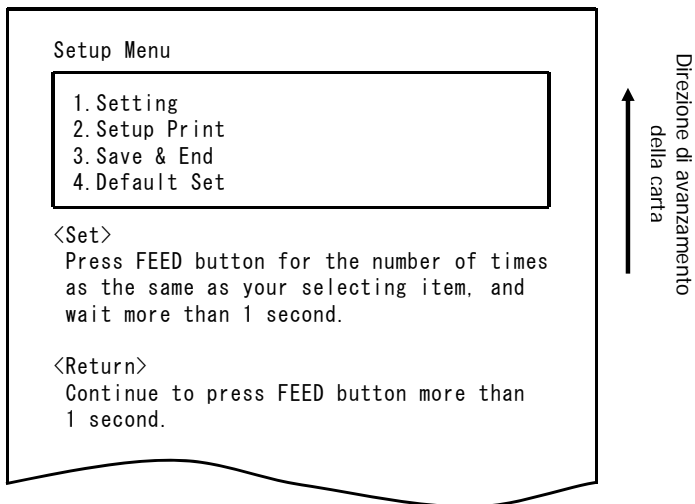
Al segnale acustico, rilasciare il tasto FEED.

Viene visualizzato nuovamente il livello precedente e vengono stampate le opzioni del gruppo Setting.



Premere nuovamente il tasto FEED per **almeno 1 secondo** finché la stampante emette due segnali acustici. Al segnale acustico, rilasciare il tasto FEED.

Viene visualizzato nuovamente il livello precedente e viene stampato il menu di configurazione (Setup Menu).



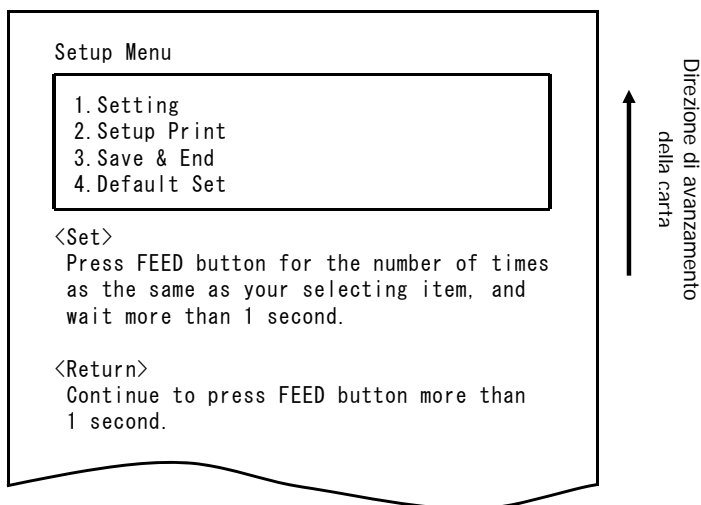
Procedere con il punto 8.

7-2. Accesso diretto al menu di configurazione

Premere il tasto FEED per **almeno 3 secondi** finché viene visualizzato nuovamente il menu di configurazione (Setup Menu).

Si tiene premuto il tasto FEED più a lungo, la stampante emette due segnali acustici dopo 1 secondo; ignorare questi segnali e continuare a premere il tasto FEED.

Dopo circa 3 secondi, vengono emessi tre segnali acustici e viene stampato il seguente menu.



Procedere con il punto 8.

8. Premendo il tasto FEED **tre volte** (per selezionare 3. Save & End), le impostazioni vengono salvate, la carta viene tagliata e la stampante esce dalla modalità di configurazione.

⚠Attenzione: **Spegnendo l'interruttore di alimentazione della stampante senza selezionare la voce "Save & End" (Salva e esci), le modifiche apportate non saranno salvate.**

● **Controllo delle impostazioni**

Per controllare che le impostazioni siano state applicate, eseguire una stampa di prova seguendo le istruzioni della sezione 9.1.

La stampa di prova contiene l'elenco delle impostazioni della stampante.

Usare questo elenco per verificare le modifiche apportate.

9-3. Impostazioni di configurazione

Gruppi di parametri

Gruppo di parametri		Descrizione
1	Memory Switch 1	Impostazioni relative allo switch di memoria 1
2	Memory Switch 2	Impostazioni relative allo switch di memoria 2
3	Print	Impostazioni di stampa
4	Hardware	Impostazioni hardware
5	Interface	Parametri di impostazione delle interfacce seriale e USB (Questo gruppo non viene visualizzato sulle stampanti con interfaccia LAN.)

Impostazioni generali e dettagliate

(Nota) I parametri di configurazione e i valori predefiniti dipendono dal modello della stampante e/o dalla regione.

(1) Memory Switch 1 Group (Gruppo di parametri per lo switch di memoria 1)

Voce		Descrizione	Valore di impostazione	
1	Power On Status	Specifica la notifica dello stato di accensione.	1	Enable (Abilitato)
			2	Disable (Disabilitato)
2	Receive Buffer	Specifica le dimensioni del buffer di ricezione.	1	45bytes
			2	4Kbytes
3	Busy Condition	Imposta la stampante come BUSY (la ricezione dei dati non è abilitata).	1	Buffer full (buffer pieno)
			2	Offline/Buffer full
4	Receive Error	Specifica come procedere quando si verifica un errore di ricezione durante l'uso dell'interfaccia seriale.	1	?Print (?Stampa)
			2	Ignore (Ignora)
5	Auto LF	Specifica se il codice CR debba generare un avanzamento di riga automatico.	1	Enable (Abilitato)
			2	Disable (Disabilitato)
6	DSR(#6) Reset	Specifica se la ricezione del segnale DSR (#6) attraverso l'interfaccia seriale debba attivare un reset hardware.	1	Enable (Abilitato)
			2	Disable (Disabilitato)
7	INIT(#25) Reset *1	Specifica se la ricezione del segnale INIT (#25) attraverso l'interfaccia seriale debba attivare un reset hardware.	1	Enable (Abilitato)
			2	Disable (Disabilitato)

Voce		Descrizione	Valore di impostazione	
8	USB Soft Reset	Specifica se il reset via software della porta USB debba attivare un reset hardware sulle stampanti con interfaccia USB.	1 2	Enable (Abilitato) Disable (Disabilitato)

*1 " INIT(#25)Reset "

Solamente stampanti con interfaccia seriale e USB.

(2) Memory Switch 2 Group (Gruppo di parametri per lo switch di memoria 2)

Voce		Descrizione	Valore di impostazione	
1	Cover Open Error	Metodo di ripristino in caso di errore dovuto all'apertura del coperchio durante la stampa	1 2	Auto Recovery (ripristino automatico) Recovery by CMND (ripristino con comando)
2	Error	Azione da eseguire all'accensione o al ripristino dopo un errore "Auto Recovery": viene eseguito un ripristino automatico per abilitare la ricezione dei dati. "Recovery by CMND": i dati ricevuti vengono ignorati fino alla ricezione di un comando di reset.	1 2	Auto Recovery (ripristino automatico) Recovery by CMND (ripristino con comando)
3	Batch (COM IF)	Specifica se utilizzare o meno la stampa batch per l'interfaccia seriale	1 2	Enable (Abilitato) Disable (Disabilitato)
4	Batch (Other IF)	Specifica se utilizzare o meno la stampa batch per l'interfaccia USB o LAN	1 2	Enable (Abilitato) Disable (Disabilitato)
5	Serial Number	Specifica la notifica del numero di serie per le stampanti USB "Disable": al posto del numero di serie viene restituito il valore "0". "Enable": viene restituito il numero di serie del produttore	1 2	Enable (Abilitato) Disable (Disabilitato)
6	ASB	Specifica se abilitare o meno la funzione di trasmissione automatica dello stato (ASB: Automatic Status Back)	1 2	Enable (Abilitato) Disable (Disabilitato)
7	Font-B	Specifica il numero di colonne da utilizzare per il font B (orizzontale x verticale) "Mode1" 10x24 "Mode2" 9x24	1 2	Mode1 Mode2

(3) Print Group (Gruppo di parametri Print)

Voce		Descrizione	Valore di impostazione	
1	Paper Width	Larghezza della carta e numero di caratteri per riga	1	80mm/48columns
			2	80mm/42columns
			3	58mm/35columns
			4	58mm/32columns
2	Max Speed	<p>Velocità massima di stampa</p> <p>La velocità massima per la stampa di codici a barre e codici bidimensionali è di 120 mm/s.</p>	1	100mm/s
			2	110mm/s
			3	120mm/s
			4	130mm/s
			5	140mm/s
			6	150mm/s
			7	160mm/s
			8	170mm/s
			9	180mm/s
			10	190mm/s
			11	200mm/s
			12	210mm/s
3	Print Density	<p>Densità di stampa</p> <p>Quanto più basso è il valore, tanto minore è la densità di stampa.</p> <p>Quanto più alto è il valore, tanto maggiore è la densità di stampa.</p>	1	70%
			2	80%
			3	90%
			4	100%
			5	110%
			6	120%
			7	130%

(4) Hardware Group (Gruppo di parametri Hardware)

Voce		Descrizione	Valore di impostazione	
1	Error Alert *1	Specifica se debba essere emesso o meno un segnale acustico in caso di errore "None": non viene emesso nessun segnale acustico. "One Time": vengono emessi quattro segnali acustici. "Continuous": viene emesso un segnale acustico continuo.	1 2 3	None One Time Continuous
2	Buzzer Interval *2	Tipo di segnale acustico da utilizzare durante la stampa Durante la stampa, viene emesso un segnale acustico nei seguenti casi: <ul style="list-style-type: none"> Viene premuto il tasto FEED mentre il coperchio è aperto Viene ricevuto un comando di emissione del segnale acustico (ESC p 03h t1 t2 t3) 	1 2 3 4 5	Pattern 1 (schema 1) Pattern 2 (schema 2) Pattern 3 (schema 3) Pattern 4 (schema 4) Pattern 5 (schema 5)
3	Buzzer Repetition *2	Numero di segnali acustici emessi durante la stampa L'impostazione Zero indica che non viene emesso nessun segnale acustico. Durante la stampa, viene emesso un segnale acustico nei seguenti casi: <ul style="list-style-type: none"> Viene premuto il tasto FEED mentre il coperchio è aperto Viene ricevuto un comando di emissione del segnale acustico (ESC p 03h t1 t2 t3) 	1 2 3 4 5 6	Zero One (uno) Two (due) Three (tre) Four (quattro) Five (cinque)
4	Graph/User NV-MEM	Dimensioni della memoria grafica NV e della memoria NV dell'utente Specifica le dimensioni dell'area in cui vengono registrate le immagini grafiche e le immagini in bit NV, e le dimensioni dell'area in cui vengono memorizzati i dati dell'utente.	1 2 3 4	384KB/192KB 448KB/128KB 512KB/64KB 576KB/0B
5	Cut at Cover Close	Specifica se la taglierina deve essere attivata o meno alla chiusura del coperchio.	1 2	Enable (Abilitato) Disable (Disabilitato)
6	PNE Detect	Specifica se segnalare o meno lo stato di quasi esaurimento della carta	1 2	Enable (Abilitato) Disable (Disabilitato)

*1 "Error Alert"

L'emissione di un segnale acustico "continuo" ha il seguente significato:
(Nota) Per interrompere il segnale acustico continuo, premere il tasto FEED.

- Errore reversibile (ad eccezione del quasi esaurimento della carta)
Emissione continua del segnale secondo lo schema
500mSecON/200mSecOFF
- Errore hardware
Emissione continua del segnale secondo lo schema
1000mSecON/500mSecOFF

*2 "Buzzer Interval"

Gli schemi di emissione del segnale acustico sono i seguenti:

- Pattern 1 40msON / 120msOFF
- Pattern 2 140msON / 140msOFF
- Pattern 3 200msON / 200msOFF
- Pattern 4 10msON / 50msOFF
- Pattern 5 30msON / 50msOFF

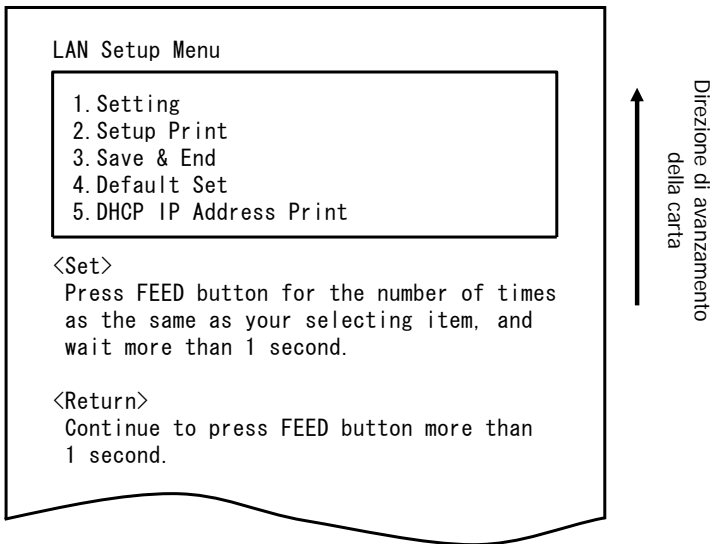
(5) Interface Group (Gruppo di parametri Interface)

Voce		Descrizione	Valore di impostazione	
1	Baud rate	Velocità di trasmissione per l'interfaccia seriale	1	2400BPS
			2	4800BPS
			3	9600BPS
			4	19200BPS
			5	38400BPS
			6	57600BPS
			7	115200BPS
2	Format	Formato dei dati per l'interfaccia seriale	1	7EVEN1
			2	7ODD1
			3	8NONE1
			4	8ENEN1
			5	8ODD1
3	Protocol	Protocollo di controllo del buffer per l'interfaccia seriale	1	DSR/DTR
			2	XON/XOFF
4	USB	Classe dell'interfaccia USB	1	Printer (stampante)
			2	V-COM

9-4. Impostazioni della configurazione LAN (Stampanti con interfaccia seriale, USB e LAN)

Verificare che la carta sia caricata nella stampante. Spegnerla premendo l'interruttore di alimentazione, quindi riaccenderla premendo il tasto FEED sul pannello dei comandi. Viene prodotta la stampa illustrata nella sezione 9-1.

Premere quindi il tasto FEED tre volte (per selezionare 3. LAN Setup Menu), viene attivata la modalità di configurazione e viene stampato il menu seguente.



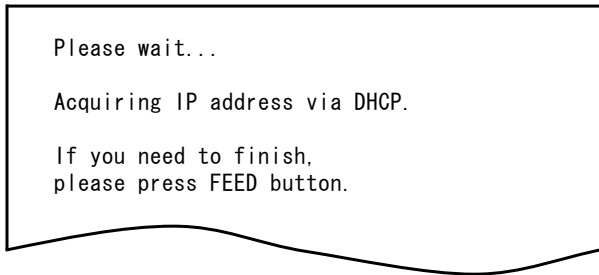
Il metodo di selezione delle impostazioni è descritto nella sezione 9-2.

Voce di impostazione

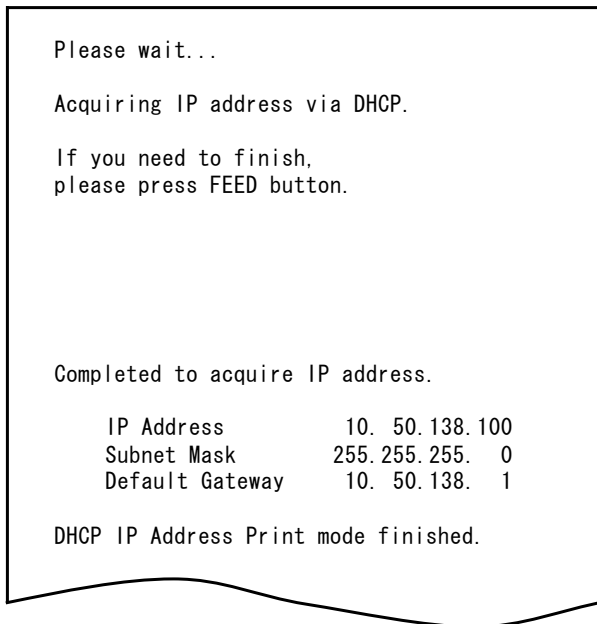
Voce		Descrizione	Valore di impostazione	
1	LAN	Selezionare l'interfaccia	1	Enable (Abilitato)
		"Enable": funzionamento sull'interfaccia LAN.		
		"Disable": funzionamento sull'interfaccia USB o seriale. Se sono collegate sia l'interfaccia USB che quella seriale, la priorità sarà data all'interfaccia USB.	2	Disable (Disabilitato)

DHCP IP Address Print

- 1) Selezionare “DHCP IP Address Print” per accedere alla modalità di stampa dell’ IP Address come mostrato di seguito. Attendere alcune decine di secondi.



- 2) Quando le funzioni IP Address, Subnet Mask e Default Gateway sono state acquisite con successo, i valori acquisiti saranno stampati e la modalità di stampa verrà chiusa.



- 3) Se il pulsante FEED viene premuto durante l’acquisizione dei valori, la modalità di stampa verrà chiusa immediatamente con la stampa del seguente messaggio:

“ DHCP IP Address Print mode finished. ”

9-5. Stampa esadecimale

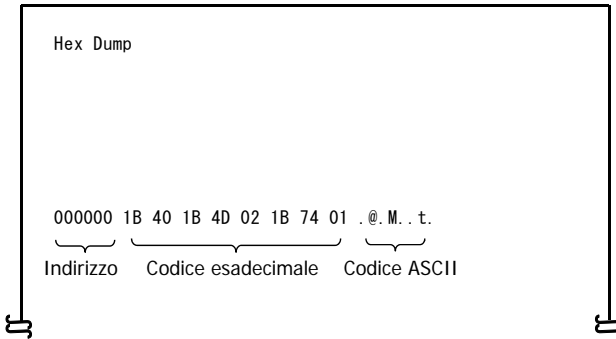
Verificare che la carta sia caricata nella stampante. Spegnerla premendo l'interruttore di alimentazione, quindi riaccenderla premendo il tasto FEED sul pannello dei comandi. Viene prodotta la stampa illustrata nella sezione 9-1.

Premendo il tasto FEED **tre volte** (Stampanti con interfaccia seriale e USB: per selezionare 3. Hex Dump) o **quattro volte** (Stampanti con interfaccia seriale, USB e LAN : per selezionare 4. Hex Dump), viene attivata la modalità HEX dump.

In questa modalità, tutti i dati inviati alla stampante vengono stampati come codici esadecimali. Questa funzione è utile per verificare che i codici di controllo inviati alla stampante dal programma del PC siano corretti.

Per uscire da questa modalità, spegnere e riaccendere la stampante.

Stampa con la funzione HEX Dump (esempio)



9-6. Tracciatura dei comandi

Verificare che la carta sia caricata nella stampante. Spegnerla premendo l'interruttore di alimentazione, quindi riaccenderla premendo il tasto FEED sul pannello dei comandi. Viene prodotta la stampa illustrata nella sezione 9-1.

Premendo il tasto FEED **quattro volte** (Stampanti con interfaccia seriale e USB; per selezionare 4. Command Trace) o **cinque volte** (Stampanti con interfaccia seriale, USB e LAN; per selezionare 5. Command Trace) viene attivata la modalità di tracciatura dei comandi.

In questa modalità, tutti i dati inviati alla stampante vengono stampati in formato ASCII (con spiegazioni dei comandi ESC/POS). È una funzione utile per analizzare i comandi ESC/POS inviati alla stampante dal programma del PC.

Per uscire da questa modalità, spegnere e riaccendere la stampante.

Stampa con la funzione Command Trace (esempio)

```
Command Trace

<1B40:Initialize printer (ESC @)>
<1B4D02:Set ANK font C (ESC M n)>
<1B7480:Set character code table (ESC t n)>
<1D4200:Disable reverse printing (GS B n)>
<1B6102:Set justification RIGHT (ESC a n)>
<1C2E:Reset kanji mode (FS .)>
ABC
<0A:Print and line feed (LF)>
```

- a. I comandi non definiti o i comandi con parametri anomali vengono trattati come errori e stampati a colori invertiti.
- b. I comandi senza significato e non necessari appaiono sottolineati.
- c. I codici dei comandi vengono stampati in grassetto.

9-7. Stampa di prova

Verificare che la carta sia caricata nella stampante. Spegnerla premendo l'interruttore di alimentazione, quindi riaccenderla premendo il tasto FEED sul pannello dei comandi. Viene prodotta la stampa illustrata nella sezione 9-1.

Premendo il tasto FEED **cinque volte** (Stampanti con interfaccia seriale e USB: per selezionare 5. Sample Print) o **sei volte** (Stampanti con interfaccia seriale, USB e LAN: per selezionare 6. Sample Print), viene attivata la modalità di stampa di prova.

Viene stampata una spiegazione del funzionamento del tasto FEED, la carta viene tagliata e vengono quindi stampati alcuni modelli di esempio. (La spiegazione del tasto FEED viene stampata solo la prima volta.)

- " Premere il tasto FEED.
 - Pressione breve : Modello successivo
 - Pressione lunga : Stesso modello"

Dopo la stampa, premendo brevemente il tasto FEED (per meno di un secondo) vengono stampati i modelli seguenti, uno alla volta.

- * "Ricevuta" → "Buono sconto" → "Codice a barre" → "Ricevuta" nuovamente.
(La stampa viene messa in pausa dopo ogni modello. Premere il tasto FEED per stampare il modello successivo.)

Premendo il tasto FEED più a lungo (per almeno un secondo), viene stampato nuovamente il modello precedente.

Per uscire da questa modalità, spegnere e riaccendere la stampante.

In modalità Sample print, la carta viene tagliata alla fine di ogni pagina.


La stampa dei modelli può essere eseguita con la carta da 80 mm o da 58 mm, a seconda della larghezza della carta impostata.

Se si verifica un errore reversibile, la stampa di prova prosegue dopo la correzione dell'errore.

Nella pagina seguente sono raffigurati alcuni esempi di stampe di prova.

<Risultati della stampa di prova, modello da 80 mm>

Modello "Ricevuta"


OKI			
OKI Supermarket			
Tel : 987-654-321			
Banana	\$2.50	1	\$2.50
Beer 350ml	\$2.40	6	\$14.40
Cake	\$2.50	3	\$7.50
Slipper	\$3.80	5	\$19.00
Fairy lamp	\$1.50	2	\$1.00
Candy	\$1.11	10	\$1.10
Strawberry	\$2.45	4	\$9.80
Pie	\$35.00	1	\$35.00
Pizza	\$20.00	1	\$20.00
Socks	\$3.30	6	\$19.80
Aspirin	\$12.80	1	\$12.80
Wine	\$99.80	1	\$99.80
Sub total			\$242.70
Tax(5%)			\$12.10
Total			\$254.80
Receipt No. : 9202			
Cashier : XXXX			
XX-XX-20XX			
			
a 0 1 2 3 4 5 6 7 8 9 0 1 2 3 4 5 6 7 8 9 a			


Modello "Buono sconto"


OKI		NO. 1234567890
Save 20 dollars on Grape Search of OKI company.		
Coupon 20\$ OFF !!		
Issue date : XX.XX.20XX		OKI will give a REAL LIFE to you
a 0 1 2 3 4 5 6 7 8 9 0 1 2 3 4 5 6 7 8 9 a		


Modello "Codice a barre"


**** BarCode ****


UPC-A

4 9 3 3 5 2 4 1 0 0 7


UPC-E
9 3 3 5 2 1



EAN8 (JAN8)
4 9 3 3 5 2 4 8

4 9 3 3 5 2 4 8


EAN13 (JAN13)


Codabar (NW-7)

a 1 2 3 4 6 a


ITF
1 2 3 4 5 6 7 8 9 0



Code39
* A B 1 2 3 4 5 *

* A B 1 2 3 4 5 *


Code93


Code128
1 2 3 4 5 6 7 8 9 0

1 2 3 4 5 6 7 8 9 0

**** Two-dimensional Code ****

URcode


PDF417


DataMatrix


<Risultati della stampa di prova, modello da 58mm>

Modello "Ricevuta"

OKI
OKI Supermarket
Tel : 987-654-321

Banana	\$2.50	1	\$2.50
Beer 350ml	\$2.40	6	\$14.40
Cake	\$2.50	3	\$7.50
Slimmer	\$5.80	5	\$19.00
Fairy lamp	\$1.50	2	\$1.00
Candy	\$1.10	10	\$1.10
Strawberry	\$2.45	4	\$9.80
Pie	\$35.00	1	\$35.00
Pizza	\$20.00	1	\$20.00
Socks	\$5.30	6	\$19.80
Aspirin	\$12.80	1	\$12.80
Wine	\$95.80	1	\$98.80

Sub total \$242.70
Tax (5%) \$12.10
Total \$254.80

Receipt No. : 9202
Casher : XXXX
XK-KV-20XX

0123456789a

Modello "Codice a barre"

***** BarCode *****

UPC-A
4 9 3 3 5 2 4 1 0 0 7

UPC-E
9 3 3 5 2 1

EAN8(JAN8)
4 9 3 3 5 2 4 8
4 9 3 3 5 2 4 8

EAN13(JAN13)

Codabar (NN-7)
a 1 2 3 4 5 a

ITF
1 2 3 4 5 6 7 8 9 0

Code39
* A B 1 2 3 4 5 *
* A B 1 2 3 4 5 *

Code93

Code128
1 2 3 4 5 6 7 8 9 0
1 2 3 4 5 6 7 8 9 0

***** Two-dimensional Code *****

QRcode

PDF417

DataMatrix

OKI
NO. 1234567890

Coupon 20\$ OFF!!
Save 20 dollars on every purchase of OKI camera.

Issue date : 12.12.2001

OKI will give a REAL LIFE to you!

9012345678901234567890

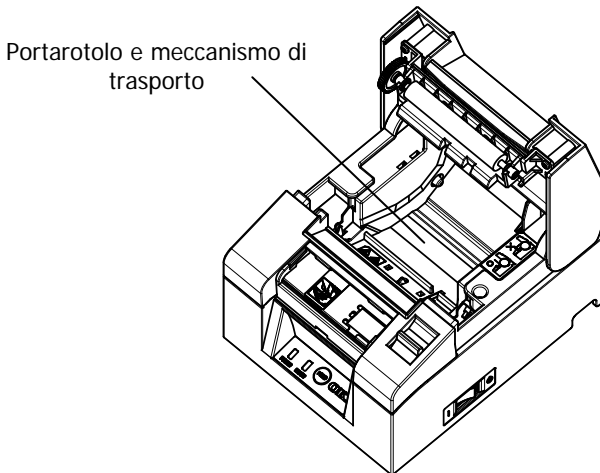
Modello "Coupon"

10. Pulizia periodica

La qualità di stampa può peggiorare se sono presenti particelle di carta, polvere o altri materiali. Per evitare questo problema, rimuovere le particelle di carta o la polvere dal portarotolo, dal meccanismo di trasporto della carta, dal rullo di trascinamento e dalla testina termica seguendo le istruzioni sotto riportate. Eseguire la pulizia ogni sei mesi.

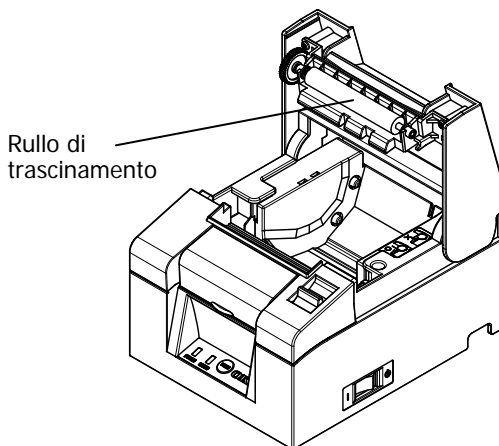
10-1. Pulizia del portarotolo e del meccanismo di trasporto

- (1) Spegnerne la stampante.
- (2) Aprire il coperchio superiore.
- (3) Rimuovere la polvere, le particelle di carta, i residui di colla o altri materiali estranei dal portarotolo e dal meccanismo di trasporto usando un panno morbido e asciutto.



10-2. Pulizia del rullo di trascinamento

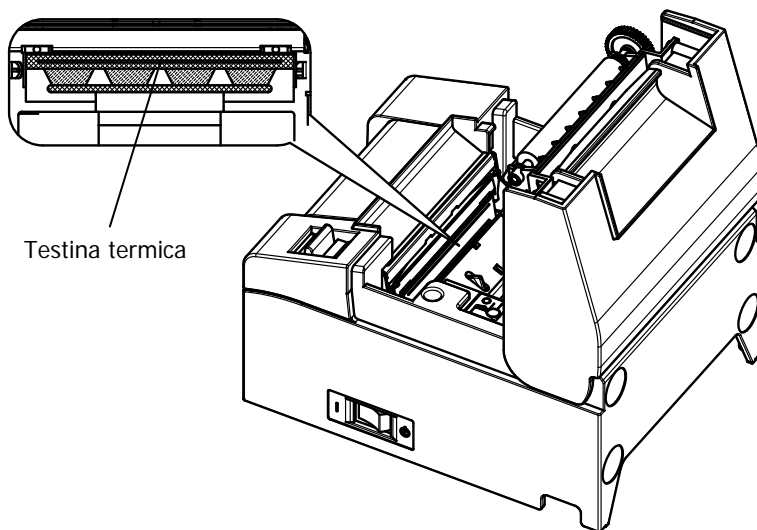
- (1) Spegner la stampante.
- (2) Aprire il coperchio superiore.
- (3) Rimuovere la polvere, le particelle di carta, i residui di colla o altri materiali estranei dal rullo di trascinamento usando un panno morbido e asciutto.



⚠ Attenzione: Evitare di danneggiare o ammaccare il rullo di trascinamento. Eventuali rientranze nel rullo di trascinamento possono causare stampe incomplete e/o errori nell'avanzamento della carta.

10-3. Pulizia della testina termica

- (1) Spegner la stampante.
- (2) Aprire il coperchio superiore.
- (3) Usando un solvente alcolico, rimuovere le particelle di carta nere e altri residui dalla superficie della testina termica.



- ⚠ **Attenzione:** La testina termica può danneggiarsi facilmente. Pulirla con **Attenzione** usando un panno morbido per evitare possibili danneggiamenti.
- ⚠ **Attenzione:** Dopo la stampa, la testina termica è molto calda. Lasciarla raffreddare per circa dieci minuti prima di pulirla.
- ⚠ **Attenzione:** La testina termica può essere danneggiata dall'elettricità statica. Evitare di esporla all'elettricità statica.
- ⚠ **Attenzione:** Attendere che l'alcol del solvente di pulizia sia completamente evaporato prima di accendere la stampante.
- ⚠ **Attenzione:** Usare solo solventi a base di alcol o di isopropile.

11. Interfacce

11-1. Interfaccia seriale

(1) Specifiche dell'interfaccia di trasmissione

Metodo di trasmissione	Asincrono											
Tipo di linea	Full duplex											
Circuito di ingresso/uscita	Ingresso: MAX211 o equivalente Uscita: MAX211 o equivalente											
Velocità di trasmissione	2400, 4800, 9600, 19200, 38400, 57600, 115200BPS (Impostazioni di configurazione)											
Tipo di codice di trasmissione	A 7 o 8 bit											
Formato del codice di trasmissione	Bit di start: 1 bit Bit di stop: 1 bit Bit di dati: 7 o 8 bit (impostazioni di configurazione) Parità: NONE, ODD, EVEN (impostazioni di configurazione) Mark(1) <table border="1" style="display: inline-table; vertical-align: middle;"> <tr> <td style="width: 20px;">ST</td> <td style="width: 20px;">b0</td> <td style="width: 20px;">b1</td> <td style="width: 20px;">b2</td> <td style="width: 20px;">b3</td> <td style="width: 20px;">b4</td> <td style="width: 20px;">b5</td> <td style="width: 20px;">b6</td> <td style="width: 20px;">b7</td> <td style="width: 20px;">PT</td> <td style="width: 20px;">SP</td> </tr> </table> Spazio(0)	ST	b0	b1	b2	b3	b4	b5	b6	b7	PT	SP
ST	b0	b1	b2	b3	b4	b5	b6	b7	PT	SP		
Sequenza di trasmissione	Da LSB a MSB											
Codice di trasmissione	Codice JIS											
Controllo errori	Controllo di parità (impostazioni di configurazione)											
Lunghezza della linea di connessione	Max. 15 m: (quando l'alimentazione proviene dal connettore di alimentazione) Max. 2 m: (quando l'alimentazione proviene dal connettore di interfaccia)											
Protocollo	DSR/DTR, XON/XOFF (impostazioni di configurazione)											

(2) Connettore di interfaccia seriale(Stampanti con interfaccia seriale e USB)

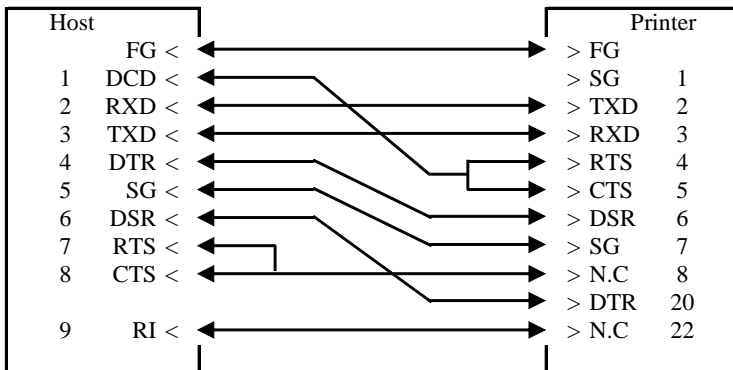
N. pin	Nome segnale	Direzione	Nome linea di segnale
1	SG	-	Massa segnale
2	TXD	Uscita	Trasmissione dati
3	RXD	Ingresso	Ricezione dati
4	RTS	Uscita	Richiesta d'invio
5	CTS	Ingresso	Pronto a trasmettere
6	DSR	Ingresso	Data set pronto
7	SG	-	Massa segnale
8~19	N.C	-	Nessuna connessione
20	DTR	Uscita	Terminale dati pronto
21~24	N.C	-	Nessuna connessione
25	INIT	Ingresso	Segnale di reset forzato

⚠ Attenzione: Per il connettore, usare una vite di fissaggio con filettatura imperiale.

⚠ Attenzione: Utilizzare un cavo d'interfaccia RS232C a 9-25 piedini cavo incrociato.

(3) Cavo di collegamento(Stampanti con interfaccia seriale e USB)

Si raccomanda di utilizzare la configurazione di collegamento mostrata nella figura seguente.



⚠ Attenzione: Il connettore di interfaccia non deve essere utilizzato per l'alimentazione del dispositivo.

(4) Connettore di interfaccia seriale(Stampanti con interfaccia seriale, USB e LAN)

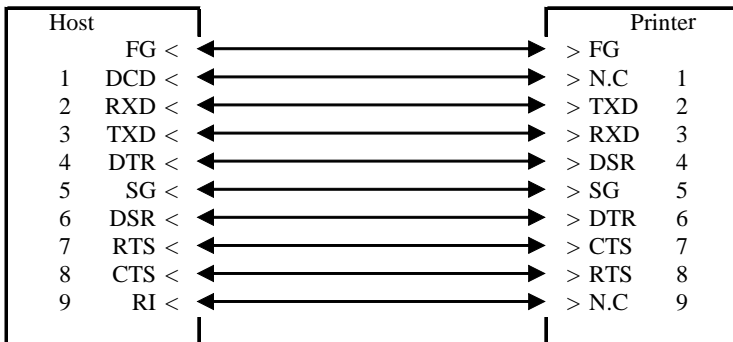
N. pin	Nome segnale	Direzione	Nome linea di segnale
1	N.C	-	Nessuna connessione
2	TXD	Uscita	Trasmissione dati
3	RXD	Ingresso	Ricezione dati
4	DSR	Ingresso	Data set pronto
5	SG	-	Massa segnale
6	DTR	Uscita	Terminale dati pronto
7	CTS	Ingresso	Pronto a trasmettere
8	RTS	Uscita	Richiesta d'invio
9	N.C	-	Nessuna connessione

⚠ Attenzione: Per il connettore, usare una vite di fissaggio con filettatura imperiale.

⚠ Attenzione: Utilizzare un cavo d'interfaccia RS232C a 9 piedini non intrecciato.

(5) Cavo di collegamento(Stampanti con interfaccia seriale, USB e LAN)

Si raccomanda di utilizzare la configurazione di collegamento mostrata nella figura seguente.



⚠ Attenzione: Il connettore di interfaccia non deve essere utilizzato per l'alimentazione del dispositivo.

11-2. Interfaccia USB

(1) Connettore di tipo B: 4 pin

N. pin	Nome segnale	Direzione	Nome linea di segnale
1	VBUS	Ingresso	VBUS
2	D-inB	Ingresso/uscita	D-
3	D+inB	Ingresso/uscita	D+
4	SG	-	Massa segnale

⚠ Attenzione: Usare un cavo USB schermato.

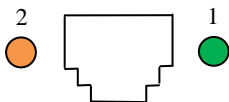
11-3. Interfaccia LAN

(1) Connettore di interfaccia LAN

N. pin	Nome segnale	Direzione	Nome linea di segnale
1	TX+	Uscita	Dati in uscita
2	TX-	Uscita	Dati in uscita
3	RX+	Ingresso	Dati in ingresso
4	N.C	-	-
5	N.C	-	-
6	RX-	Ingresso	Dati in ingresso
7	N.C	-	-
8	N.C	-	-

⚠ Attenzione: utilizzare un cavo LAN non incrociato come cavo di interfaccia e collegarlo alla rete tramite un HUB.

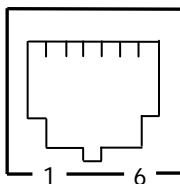
(2) LED



N.	Significato	Descrizione
1	S (Speed (velocità))	La spia si accende quando il collegamento è riconosciuto come 100BASE-TX Si spegne quando non c'è collegamento o quando viene rilevato che il collegamento 10BASE-T è in corso
2	L/A (Link/Act (collegamento/ azione))	La spia si accende quando viene stabilito il collegamento con 100BASE-TX o 10BASE-T Lampeggia quando vengono inviati e ricevuti pacchetti

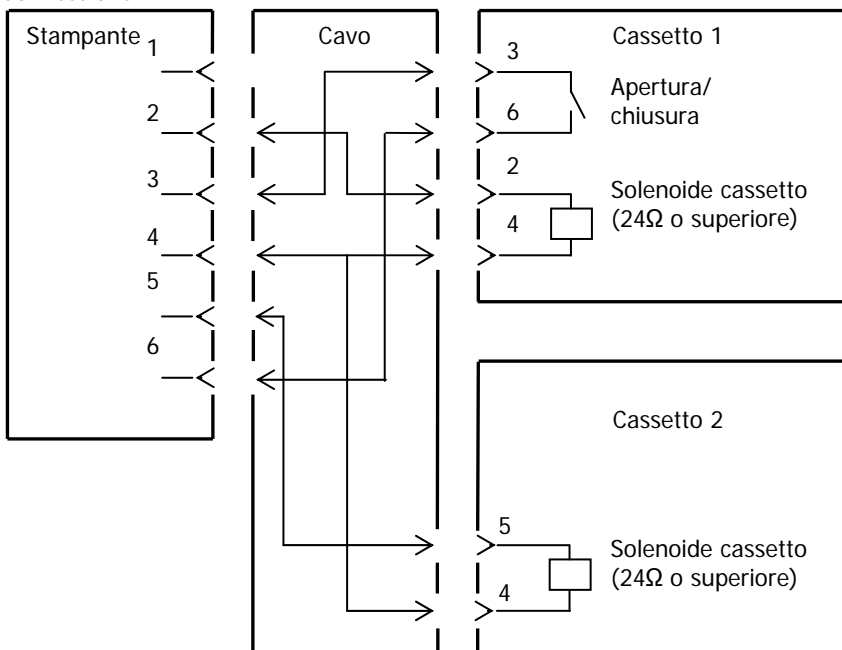
11-4. Connettore per cassetto

N. pin	Nome segnale	Direzione	Nome linea di segnale
1	FG	-	Massa di protezione
2	*DRD1	Uscita	Segnale di azionamento cassetto 1
3	DRSNS1	Ingresso	Segnale di rilevazione cassetto 1
4	+24 V	-	Potenza di azionamento
5	*DRD2	Uscita	Segnale di azionamento cassetto 2
6	SG	-	Massa segnale



<Lato di connessione>

<Connessione>



- ⚠ **Attenzione:** Il cavo di collegamento del cassetto deve essere di tipo schermato.
- ⚠ **Attenzione:** Non è possibile l'azionamento simultaneo dei due meccanismi.
- ⚠ **Attenzione:** Specificare il tempo di attivazione ON e il tempo di disattivazione OFF (t_1 e t_2) per il cassetto usando il comando a generazione di impulsi (ESC p m t_1 t_2).
- ⚠ **Attenzione:** Impostare il ciclo di lavoro del meccanismo di azionamento del cassetto in base alla formula seguente: $\text{Tempo di attivazione} / (\text{Tempo di attivazione} + \text{Tempo di disattivazione}) \leq 0,2$
- ⚠ **Attenzione:** Usare sempre l'alimentazione della stampante (pin 4 del connettore) per l'alimentazione del cassetto.
- ⚠ **Attenzione:** Usare un solenoide di azionamento con una resistenza di almeno 24Ω . Se il valore della resistenza è inferiore a 24Ω , il solenoide può essere danneggiato dall'eccesso di corrente.
- ⚠ **Attenzione:** Questo prodotto utilizza uno speciale connettore modulare per il collegamento del cassetto e del display. Non utilizzare altri tipi di connettori, ad esempio quelli utilizzati per le linee telefoniche.

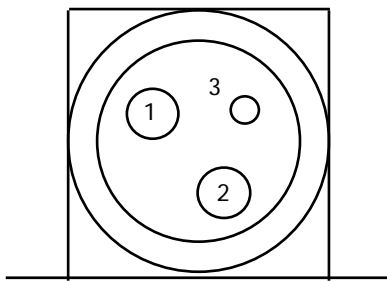
11-5. Specifiche elettriche

- (1) Tensione di ingresso nominale: 100-240 V, 50-60 Hz
- (2) Corrente di ingresso nominale: 1,1 A
- (3) Tensione di esercizio: 24 V \pm 10%
- (4) Consumo: In standby : 3,0 W o meno/0,1 A in media
Durante il funzionamento : Circa 38 W/1,5 A in media
(a 24 V, 25°C, densità di stampa del 100%, larghezza della carta di 80 mm, ciclo di stampa del 9%)

Nota: Corrente di azionamento del cassetto: max. 1 A
In ogni caso, non attivare simultaneamente due meccanismi di azionamento dei cassettei.

Assegnazione dei pin del connettore di alimentazione

N. pin	Nome segnale
1	+24 V
2	SG
3	N.C



- ⚠ Attenzione:** Per l'alimentazione, usare il trasformatore CA specificato.
- ⚠ Attenzione:** Il mancato utilizzo del trasformatore CA originale (uso di un alimentatore predisposto dall'utente) può causare problemi nella qualità di stampa, interferenze elettromagnetiche o disturbi nel circuito. In questi casi, ricordare quanto segue:
- Usare un trasformatore CA la cui capacità corrisponda alla velocità di stampa che sarà effettivamente utilizzata.
 - Verificare preventivamente che non vi siano problemi di elettricità statica, interferenze elettromagnetiche, disturbi al circuito, ecc.

12. Specifiche

12-1. Specifiche generali

- (1) Metodo di stampa: Stampa termica diretta
- (2) Velocità di stampa: Max. 300 mm/s (solo monocromatica)
- (3) Risoluzione di stampa: 8 punti/mm (0,125 mm)
- (4) Rapporto tra numero di colonne di stampa e dimensione del carattere

Corpo carattere ((larghezza)x(altezza) in punti)

	Larghezza della carta: 58 mm	
	Stampa su 32 colonne	Stampa su 35 colonne
ANK: Font A	32 colonne: 12x24	35 colonne: 12x24
ANK: Font B	38 colonne: 10x24 42 colonne: 9x24	42 colonne: 10x24 46 colonne: 9x24
ANK: Font C	48 colonne: 8x16	52 colonne: 8x16
ANK: Font A Font di estensione	32 colonne: 12x24	35 colonne: 12x24
ANK: Font B Font di estensione	38 colonne: 10x24 42 colonne: 9x24	42 colonne: 10x24 46 colonne: 9x24

Corpo carattere ((larghezza)x(altezza) in punti)

	Larghezza della carta: 80 mm	
	Stampa su 42 colonne	Stampa su 48 colonne
ANK: Font A	42 colonne: 12x24	48 colonne: 12x24
ANK: Font B	51 colonne: 10x24 56 colonne: 9x24	57 colonne: 10x24 64 colonne: 9x24
ANK: Font C	64 colonne: 8x16	72 colonne: 8x16
ANK: Font A Font di estensione	42 colonne: 12x24	48 colonne: 12x24
ANK: Font B Font di estensione	51 colonne: 10x24 56 colonne: 9x24	57 colonne: 10x24 64 colonne: 9x24

(5) Set di caratteri

- Carattere alfanumerico (95)
- Carattere internazionale (16 set : Gothic)
- Grafica ingrandita (128 x 20 pagine : Gothic)
- Registrazione scaricata (96)
- Kanji definito dall'utente (94)

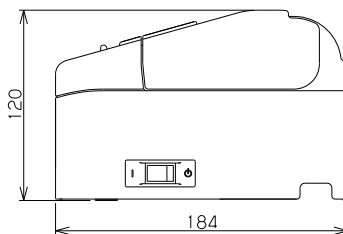
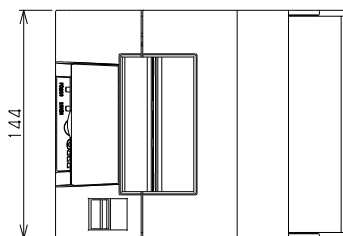
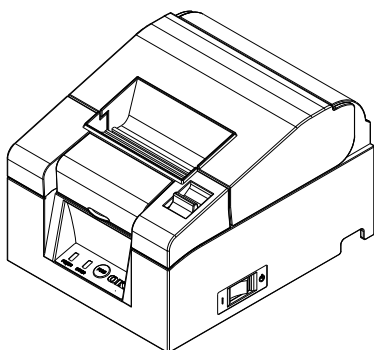
(6) Dimensioni dei caratteri

	Corpo		Lettera	
	(Larghezza)x (Altezza) in punti	(Larghezza)x (Altezza) in mm	(Larghezza)x (Altezza) in punti	(Larghezza)x (Altezza) in mm
ANK: Font A	12 x 24	1,5 x 3,0	11 x 22	1,375 x 2,75
ANK: Font B	10 x 24 9 x 24	1,25 x 3,0 1,125 x 3,0	9 x 17 9 x 17	1,125 x 2,125 1,125 x 2,125
ANK: Font C	8 x 16	1,0 x 2,0	8 x 13	1,0 x 1,625
ANK: Font A Font di estensione	12 x 24	1,5 x 3,0	12 x 24	1,5 x 3,0
ANK: Font B Font di estensione	10 x 24 9 x 24	1,25 x 3,0 1,125 x 3,0	9 x 22 9 x 22	1,125 x 2,75 1,125 x 2,75

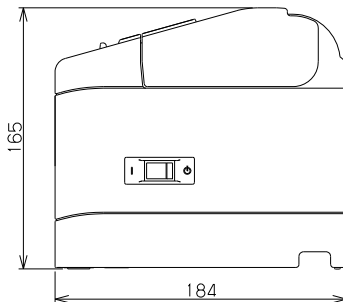
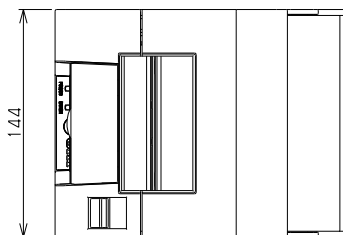
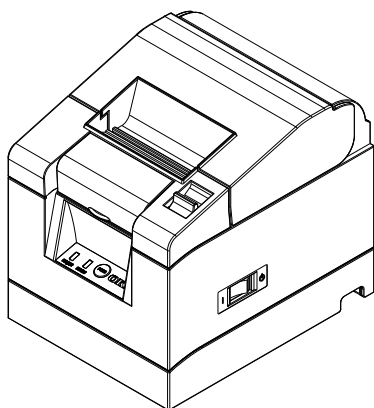
(Nota) Il numero di colonne, le dimensioni dei caratteri e i set di caratteri dipendono dal modello della stampante e/o dalla regione.

(7) Schemi dimensionali

Modello standard



Modello con alimentatore integrato



12-2. Specifiche della taglierina

(1) Metodo di taglio: taglio parziale (la carta rimane collegata in un punto)

⚠ Attenzione: Non usare la taglierina in modo continuo a una velocità superiore a 10 tagli al minuto (1 taglio ogni 6 secondi o più). L'uso eccessivo può causare malfunzionamenti.

12-3. Specifiche di alimentazione della carta

(1) Metodo di caricamento: I rotoli vengono caricati manualmente.

(2) Carta quasi esaurita: Viene rilevato quando la lunghezza della carta residua è insufficiente.

⚠ Attenzione: Sono supportati i rotoli con supporto interno del diametro di Ø18 mm.

12-4. Specifiche delle interfacce

(1) Seriale (RS-232C)

(2) USB (USB 2.0, piena velocità)

(3) LAN (10BASE/100BASE-T)

12-5. Specifiche ambientali

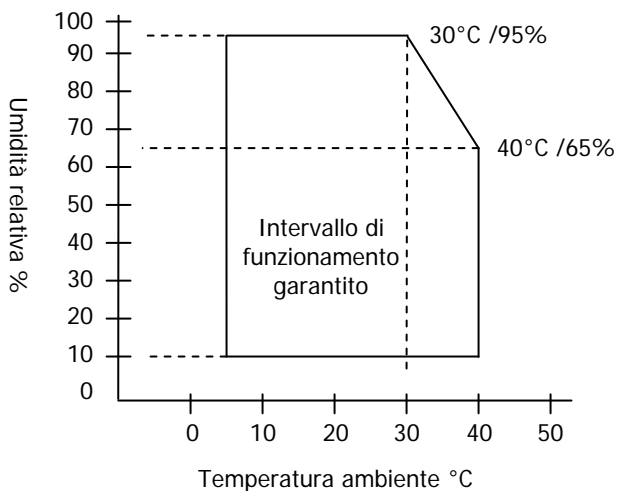
(1) Temperatura

In funzione	Funzionamento garantito a:	0°C - 40°C
	Qualità di stampa garantita a:	5°C - 35°C
Non in funzione		-5°C - 60°C
Trasporto o stoccaggio (nell'imballaggio)		-20°C - 60°C

(2) Umidità

In funzione	Funzionamento garantito a:	10%-95% RH (senza condensa)
	Qualità di stampa garantita a:	10%-85% RH (senza condensa)
Non in funzione		8%-95% RH (senza condensa)
Trasporto o stoccaggio (nell'imballaggio)		5%-95% RH (senza condensa)

(3) Temperatura max. bulbo bagnato 29°C o inferiore



12-6. Specifiche di affidabilità

- (1) Durata della stampante 20 milioni di avanzamenti riga
(con utilizzo della carta consigliata da 75 μm)

- (2) Durata della testina Percorrenza: 100 km
(con utilizzo della carta consigliata da 75 μm)
Impulsi: 100 milioni di impulsi
(con utilizzo della carta consigliata da 75 μm)

- (3) Durata della taglierina
Spessore della carta 75 μm : 1,5 milioni di tagli
(con utilizzo della carta consigliata da 75 μm)
65 μm /85 μm : 1 milione di tagli

Nota: Quando una sistemazione del massimo velocità di stampa è 220 mm/s.

13. Precauzioni per l'uso

13-1. Precauzioni relative alla carta

- (1) Un'elevata velocità di stampa può rendere la stampa poco nitida. Per evitare questo inconveniente, scegliere una velocità di stampa adeguata. In alternativa, impostare una combinazione adatta di velocità e densità di stampa.
(Vedere la sezione 9, Menu Special Mode: 9-2. Modifica delle impostazioni.)
- (2) La stampa di un testo che utilizza un set di caratteri non standard in un font con grazie sottile o un altro font simile può determinare un aspetto molto debole dei caratteri. Usare un font senza grazie in grassetto.
- (3) Per ottenere una stampa di alta qualità e regolare (senza fenomeni di espansione o contrazione), far avanzare la carta di almeno 1 mm (8 punti) quando si riprende la stampa dopo un'interruzione o dopo il taglio della carta.
- (4) Nella stampa sequenziale, un trasferimento lento dei dati può causare righe bianche sul foglio, dovute alla pausa e alla ripresa alternate della stampa. Se la qualità di stampa è un requisito prioritario, usare la modalità Batch Print ("Batch (COM IF)", "Batch (OTHER IF)").
(Vedere la sezione 9, Menu Special Mode: 9-2. Modifica delle impostazioni.)
- (5) Il margine superiore può essere impostato a 12 mm o a 3 mm mediante un comando. Se il margine superiore viene impostato a 3 mm, rimuovere la carta stampata dopo ogni ciclo di stampa e taglio, poiché prima della stampa viene effettuato un riavvolgimento della carta. Se la carta stampata e tagliata non viene rimossa, è possibile che la sezione parzialmente tagliata venga strappata o che la superficie di taglio si pieghi, causando un inceppamento della carta. Inoltre, usare almeno 30 mm di carta per ogni transazione.
- (6) L'impostazione di un valore elevato per la densità di stampa (110% o superiore) può causare una stampa poco nitida o irregolare a basse temperature, a seconda del tipo di stampa. Se la qualità di stampa è un requisito prioritario, impostare una velocità più bassa.
(Vedere la sezione 9, Menu Special Mode: 9-2. Modifica delle impostazioni.)
- (7) Non cambiare la larghezza della carta (es. da 58 mm a 80 mm) durante la stampa. Quando si utilizza la carta di larghezza inferiore, una parte della testina termica può entrare direttamente a contatto con la parte del rullo di trascinamento non occupata dalla carta. Questo può causare l'usura della testina e un peggioramento della qualità di stampa. Inoltre, poiché anche la lama della taglierina agisce su sezioni senza carta, anche la lama può consumarsi e causare tagli meno precisi. Non cambiare la larghezza della carta mentre è in corso la stampa.

- (8) Se la carta rimane a lungo nella stampante, può deformarsi e rendere la stampa più leggera. Per ovviare a questo inconveniente, se la carta è rimasta a lungo nella stampante si consiglia di farla avanzare di 20-30 mm prima di iniziare la stampa.
- (9) Se si utilizza una carta di tipo diverso da quelli consigliati, la qualità di stampa e/o la durata della testina termica non possono essere garantite. In particolare, l'uso di una carta che contenga "Na+, K+ o Cl-" può abbreviare sensibilmente la durata della testina termica.
- (10) L'uso di un trasformatore CA diverso da quello consigliato può causare una stampa poco nitida e/o irregolare; si raccomanda perciò di utilizzare solo il trasformatore consigliato.
- (11) La carta può macchiarsi durante la sostituzione del rotolo o alla chiusura del coperchio superiore; si raccomanda perciò di far avanzare la carta di 20-30 mm prima di iniziare la stampa.

13-2. Precauzioni relative alla taglierina

- (1) Non usare la taglierina in modo continuo a una velocità superiore a 10 tagli al minuto (1 taglio ogni 6 secondi o più). L'uso eccessivo può causare malfunzionamenti.
- (2) Non rimuovere la carta prima che l'operazione di taglio sia terminata. Si potrebbero creare inceppamenti.
- (3) Se il margine superiore viene impostato a 3 mm, rimuovere la carta stampata dopo ogni ciclo di stampa e taglio, poiché prima della stampa viene effettuato un riavvolgimento della carta. Diversamente, si potrebbero creare inceppamenti.

13-3. Precauzioni per la stampa di codici a barre/codici 2D

- (1) Se si utilizza una carta ad alto spessore, si raccomanda di regolare la velocità e la densità di stampa e di controllare la leggibilità del risultato. Una carta molto spessa può infatti causare una stampa poco nitida in determinate condizioni d'uso e di umidità.
(Vedere la sezione 9, Menu Special Mode: 9-2. Modifica delle impostazioni.)
- (2) Per i codici 2D, regolare la velocità e la densità di stampa in modo da ottenere una buona leggibilità. Poiché la leggibilità varia a seconda della larghezza del modulo, della densità di stampa, della temperatura ambiente, del tipo di carta termica e delle prestazioni del lettore, controllare questi parametri prima della stampa.
(Vedere la sezione 9, Menu Special Mode: 9-2. Modifica delle impostazioni.)

- (3) Se si stampa un codice a barre all'inizio di un rotolo di carta che è appena stato inserito, o quando il rotolo è quasi esaurito, si raccomanda di controllare la leggibilità poiché in questi casi l'avanzamento della carta può essere meno stabile e preciso.

13-4. Precauzioni per l'uso dell'interfaccia USB

- (1) Collegare la stampante direttamente al computer host.
- (2) Ricordarsi di accendere la stampante prima di iniziare la stampa.
- (3) Se durante la stampa si verifica un errore, risolvere il problema e provare a riprendere la stampa.
- (4) Non spegnere la stampante e non scollegare il cavo USB prima che la stampa sia terminata. Si sconsiglia di attivare le modalità Stand-by, Sleep, Suspend o Pause dal computer host.

Se la stampante non funziona correttamente nonostante le precauzioni sopra descritte, provare a ricollegare il cavo USB o a spegnere e riaccendere la stampante. Se il problema persiste, riavviare il computer host.

13-5. Precauzioni per l'uso dell'interfaccia LAN

- (1) Le impostazioni Web della stampante dovrebbero essere configurate quando la stampante non sta stampando.
Se si cambiano le impostazioni Web frequentemente mentre la stampante è in uso, la carta potrebbe non essere alimentata correttamente e potrebbero verificarsi stampe irregolari.
- (2) Questo controllo stato può essere utilizzato con porte LAN dedicate.
Esso non supporta le porte LAN standard di Windows.
- (3) Quando si stampa su più stampanti da un singolo PC, la stampa potrebbe non funzionare correttamente a seconda della porta TCP/IP standard del sistema operativo.
Se si verifica questo problema, disattivare la funzione di comunicazione bidirezionale nel driver della stampante prima di stampare.
- (4) Se la stampante viene spenta nel mezzo della stampa, l'operazione potrebbe riprendere automaticamente alla riaccensione della stampante.
Se si verifica questa situazione, eliminare i dati del lavoro di stampa dallo spooler della stampante ed eseguire nuovamente la stampa.

13-6. Precauzioni per l'installazione

- (1) La stampante può essere usata solo in ambienti chiusi. L'uso all'aperto può causare malfunzionamenti dovuti alla polvere o ad altri fattori.
- (2) Quando si collega un cavo alla stampante o si sposta la stampante in un'altra posizione, tenere la stampante ai lati in corrispondenza del pannello centrale con entrambe le mani. Se la stampante viene tenuta per il coperchio superiore, questo potrebbe aprirsi.

13-7. Precauzioni per l'uso del connettore modulare

- (1) Questo prodotto utilizza uno speciale connettore modulare per il collegamento del cassetto e del display. Non utilizzare altri tipi di connettori, ad esempio quelli utilizzati per le linee telefoniche.

Dettagli contatto Oki

Oki Systems (UK) Ltd

Blays House
Wick Road
Egham
Surrey
TW20 0HJ

Tel: +44 (0) 1784 274300
Fax: +44 (0) 1784 274301
http://www.oki.co.uk

Oki Systems Ireland Limited

The Square Industrial Complex
Tallaght
Dublin 14

Tel: +353 (0) 1 4049590
Fax: +353 (0) 1 4049591
http://www.oki.ie

Oki Systems Ireland Limited - Northern Ireland

19 Ferndale Avenue
Glengormley
BT36 5AL
Northern Ireland

Tel: +44 (0) 7767 271447
Fax: +44 (0) 1 404 9520
http://www.oki.ie

Technical Support for all Ireland:
Tel: +353 1 4049570
Fax: +353 1 4049555
E-mail: tech.support@oki.ie

Oki Systems (Czech and Slovak), s.r.o.

Futurama Business Park -
Sokolovská 651/136A
186 00 Praha 8
Czech Republic

Tel: +420 224 890158
Fax: +420 22 232 6621
Website: www.oki.cz, www.oki.sk

Oki Systems (Deutschland) GmbH

Hansaallee 187
40549 Düsseldorf

Tel: +49 (0) 211 / 5266-0
Fax: +49 (0) 211 59 33 45
Website: www.oki.deinfo@oki.de

Albania, Bosnia, Bulgaria, Croatia,
Cyprus, Estonia, Greece, Israel,
Latvia, Lithuania, Macedonia,
Romania, Serbia, Slovenia

CEE Export Group: Oki Systems (Poland) Ltd

ul. Domaniewska 42
02-672 Warsaw
Poland

Tel: +48 (0) 22 448 65 00
Fax: +48 (0) 22 448 65 0
E-mail: tech@oki.com.pl

Oki Systèmes (France) S.A.

Zone Silic - Immeuble Osaka
21 rue du Jura
CS 90277
94633 RUNGIS Cedex
Paris

Tél: Standard 0820 200 410
(0.09€/min depuis une ligne fixe*)
Hotline 01 76 54 21 50 (n° non
surtaxé)
Website: www.oki.fr

OKI Systems (Magyarország) Kft.

Capital Square
Tower 2
7th Floor
H-1133 Budapest,
Váci út 76
Hungary

Telefon: +36 1 814 8000
Telefax: +36 1 814 8009
Website: www.oki.hu

OKI Systems (Italia) S.p.A.

via Milano, 11,
20084 Lacchiarella (MI)

Tel: +39 (0) 2 900261
Fax: +39 (0) 2 90026344
Website: www.oki.it

OKI Systems (Polska) Sp. z o.o

Platinum Business Park II, 3rd
Floor
ul. Domaniewska 42
02-672 Warsaw
Poland

Tel: +48 22 448 65 00
Fax: +48 22 448 65 01
Website: www.oki.com.pl
E-mail: oki@oki.com.pl
Hotline: 0800 120066
E-mail: tech@oki.com.pl

OKI Europe Limited, Sucursal em Portugal

Av. Quinta Grande 53
7° D Alfragide
2614-521 Amadora
Portugal

Tel: +351 21 470 4200
Fax: +351 21 470 4201
Website: www.oki.pt
E-mail : oki@oki.pt

Oki Service Serviço de apoio técnico ao Cliente

Tel: 214 727 660
E-mail : okiserv@oki.pt

OKI Systems Rus, LLC (Russia)

Sector B, 3rd Floor, Svyatogor-4
Business Center10/4, Letnikovskaya
str. 115114, Moscow

Tel: +7 495 276 5060
Fax: +7 495 258 6070
e-mail: info@oki.ru
Website: www.oki.ru

Technical support:
Tel: +7 495 564 8421
e-mail: tech@oki.ru

Oki Systems (Österreich)

Campus 21
Businesszentrum Wien Sued
Liebermannstrasse A02 603
22345 Brun am Gebirge

Tel: +43 223 6677 110
Service-Hotline:
+43 (0) 2236/677 110-501
Website: www.oki.at

OKI Europe Ltd. (Ukraine)

Raisy Opkinoy Street,8
Building B, 2nd Floor,
Kiev 02002
Ukraine

Tel: +380 44 537 5288
e-mail: event@oki.ua
Website: www.oki.ua

OKI Sistem ve Yazıcı Çözümleri Tic. Ltd. Şti.

Harman sok Duran Is Merkezi,
No:4, Kat:6,
34394, Levent
İstanbul

Tel: +90 212 279 2393
Faks: +90 212 279 2366
Web: www.oki.com.tr

Oki Systems (Belgium)

Medialaan 24
1800 Vilvoorde

Helpdesk: 02-2574620
Fax: 02 2531848
Website: www.oki.be

OKI Systems (Danmark) a-s

Herstedøstervej 27
2620 Albertslund
Danmark

Adm.: +45 43 66 65 00
Fax: +45 43 66 65 90
E-mail: saig@oki.dk /
support@oki.dk
Website: www.oki.dk

Oki Systems (Finland) Oy

Polaris Capella
Vänrikinkuja 3
02600 Espoo

Tel: +358 (0) 207 900 800
Fax: +358 (0) 207 900 809
Website: www.oki.fi

Oki Systems (Holland) b.v.

Neptunstraat 27-29
2132 JA Hoofddorp

Helpdesk: 0800 5667654
Tel: +31 (0) 23 55 63 740
Fax: +31 (0) 23 55 63 750
Website: www.oki.nl

Oki Systems (Norway) AS

Tevlingveien 23
N-1081 Oslo

Tel: +47 (0) 63 89 36 00
Telefax: +47 (0) 63 89 36 01
Website: www.oki.no

Var vänlig kontakta din
Återförsäljare i första hand, för
konsultation. I andra hand kontakta

Oki Systems (Sweden) AB

Borgafjordsgatan 7
Box 1193
164 26 Kista

Tel. +46 (0) 8 634 37 00
e-mail: info@oki.se
Website: www.oki.se

Oki Systems (Schweiz)

Baslerstrasse 15
CH-4310 Rheinfelden

Support deutsch +41 61 827 94 81
Support français +41 61 827 94 82
Support italiano +41 061 827 9473

Tel: +41 61 827 9494
Website: www.oki.ch

Oki Data Americas Inc. (United States • États-Unis)

2000 Bishops Gate Blvd.
Mt. Laurel, NJ 08054
USA

Tel: 1-800-654-3282
Fax: 1-856-222-5247
<http://WWW.OKIPRINTINGSOLUTIONS.COM>
<http://my.okidata.com>

Oki Data Americas Inc. (Canada • Canadá)

4140B Sladeview Crescent Unit 7 & 8
Mississauga, Ontario
Canada L5L 6A1

Tél: 1-905-608-5000
Téléç: 1-905-608-5040
<http://WWW.OKIPRINTINGSOLUTIONS.COM>

Oki Data Americas Inc. (Amérique Latine (OTRO))

2000 Bishops Gate Blvd.
Mt. Laurel, NJ 08054
USA

Tel (Español): 1-856-222-7496
1-856-222-5276
Fax: 1-856-222-5260
Email: LASatisfaction@okidata.com

Oki Data de Mexico, S.A. de C.V.

Mariano Escobedo #748, Piso 8
Col. Nueva Anzures
C.P. 11590, México, D.F.

Tel: 52-555-263-8780
Fax: 52-555-250-3501
<http://WWW.OKIPRINTINGSOLUTIONS.COM>

Oki Data do Brasil Informática Ltda.

Av. Alfredo Egidio de Souza Aranha,
100 - 5º Andar - Bloco C
Chácara Santo Antonio - São Paulo,
SP - Brasil
CEP: 04726-170

Tel: 55-11-3543-5500 (Grande São Paulo)
0800-11-5577 (Demais localidades)
Fax: 55-11-3444-3501
email: okidata@okidata.com.br
HTTP: www.okiprintingsolutions.com

Argentina/Chile/Paraguay/Perú/Uruguay**Oki Data Americas, Inc.**

Sucursal Argentina
Ugarte 3610 Piso 4° (1605) Olivos
Buenos Aires, Argentina

TEL: +54 11 5288 7500
Fax: +54 11 5288 7599

Colombia/Ecuador/Venezuela/Centroamérica y Caribe Oki Data Americas, Inc.

Sucursal Colombia
Carrera 13 #97-51, Oficina 101
Bogotá Colombia

TEL: +57 1 704 5159

Oki Data (Singapore) Pte. Ltd.

438A Alexandra Road #02-11/12,
Lobby 3, Alexandra Technopark
Singapore(119967)

Tel: (65) 6221 3722
Fax: (65) 6594 0609
<http://www.okidata.com.sg>

Oki Systems (Thailand) Ltd.

1168/81-82 Lumpini Tower,
27th Floor Rama IV Road
Tungmahamek, Sathorn
Bangkok 10120

Tel: (662) 679 9235
Fax: (662) 679 9243/245
<http://www.okisysthai.com>

Oki Data(Australia) Pty Ltd.

Level1 67 Epping Road, Macquarie
Park
NSW 2113, Australia

Tel: +61 2 8071 0000
(Support Tel: 1800 807 472)
Fax: +61 2 8071 0010
<http://www.oki.com.au>

OKI Data New Zealand

8 Antares Place Rosedale,
Auckland, 0632 New Zealand

Tel: (64) 9 477 0500
Fax: (64) 9 477 0549
<http://www.oki.co.nz/>

Oki Data(S) P Ltd. Malaysia Rep Office

Suite 21.03, 21st Floor Menara IGB,
Mid Valley City,
Lingkar Syed Pura 59200,
Kuala Lumpur, Malaysia

Tel: (60) 3 2287 1177
Fax: (60) 3 2287 1166

OKI

PT340/341

Benutzerhandbuch

VORWORT

Es wurden alle Anstrengungen unternommen, um sicherzustellen, dass die in diesem Dokument enthaltenen Informationen vollständig und richtig sind und dem aktuellsten Stand entsprechen. Der Hersteller übernimmt keinerlei Verantwortung für die Konsequenzen von Irrtümern außerhalb der Kontrolle des Unternehmens. Der Hersteller kann weiterhin nicht garantieren, dass Änderungen der Software und Ausrüstung anderer Hersteller, auf die in diesem Handbuch Bezug genommen wird, nicht die Anwendbarkeit der Informationen in diesem Handbuch beeinflussen. Die Erwähnung von Softwareprodukten anderer Firmen beinhaltet nicht notwendigerweise deren Unterstützung.

Obwohl größte Sorgfalt darauf verwendet wurde, die hierin enthaltenen Informationen so akkurat und hilfreich wie möglich weiterzugeben, übernehmen wir keinerlei Garantie hinsichtlich ihrer Genauigkeit und Vollständigkeit.

Oki Data Corporation, alle Rechte vorbehalten. Nicht autorisiertes Kopieren, Übertragen, Übersetzen oder damit verbundene Handlungen sind untersagt. Bevor irgendeine der oben beschriebenen Handlungen ausgeführt wird, muss die schriftliche Genehmigung der Oki Data Corporation eingeholt werden.

© 2013 Oki Data Corporation

OKI ist ein eingetragenes Warenzeichen der Oki Electric Industry Co., Ltd.

Energy Star ist eine Marke der United States Environmental Protection Agency.

Microsoft, Windows, Windows Server und Windows Vista sind eingetragene Warenzeichen der Microsoft Corporation.

Apple, Macintosh, Rosetta, Mac und Mac OS sind eingetragene Warenzeichen der Firma Apple Inc.

Andere Produkt- und Markennamen sind eingetragene Marken oder Marken der jeweiligen Unternehmen.



Als Mitglied im Energy Star Programm, hat der Hersteller sichergestellt, dass dieses Produkt die Energy Star-Richtlinien zur Energieeffizienz erfüllt.



Dieses Produkt entspricht den Anforderungen der Richtlinien des EU-Rates 2014/30/EU (EMV), 2014/35/EU (LVD), 2014/53/EU (RED) und 2011/65/EU (RoHS), ggf. ergänzt, in der Angleichung der Rechtsvorschriften der Mitgliedsstaaten in Bezug auf elektromagnetische Verträglichkeit, Niederspannung, Funk- und Telekommunikationsendgeräte und energieverbrauchende Produkte sowie Beschränkungen bei der Verwendung bestimmter gefährlicher Substanzen in elektrischen und elektronischen Geräten.

Die folgenden Kabel wurden genutzt, um zu bestimmen, ob dieses Produkt die EMV-Richtlinie erfüllt. Andere 2014/30/EU -Übereinstimmungen und Konfigurationen als diese können die Konformität beeinflussen.

KABELTYP	LÄNGE (METER)	ADER	ABSCHIRMUNG
Netz	2.0	x	x
USB	5.0	x	✓
Serielle (25pin)	15.0	x	✓
Serielle (9pin)	15.0	x	✓
LAN	5.0	x	x
Kassenschubladen	1.8	x	x

VORSICHT! Dies ist ein Klasse-A-Produkt gemäß EN55022. In der häuslichen Umgebung kann dieses Produkt Funkstörungen verursachen. In diesem Fall kann es erforderlich sein, dass der Benutzer entsprechende Maßnahmen ergreift.

HERSTELLER

OKI Data Corporation,
4-11-22 Shibaura, Minato-ku,
Tokyo 108-8551,
Japan

Sollten Sie Fragen zu Vertrieb, Support oder allgemeiner Art haben, wenden Sie sich an Ihren Händler vor Ort.

IMPORTEUR FÜR EU-/AUTORISIERTE VERTRETUNGEN

OKI Europe Limited (handeltreibend als OKI Printing Solutions)

Blays House
Wick Road
Egham
Surrey, TW20 0HJ
Vereinigtes Königreich

Sollten Sie Fragen zu Vertrieb, Support oder allgemeiner Art haben, wenden Sie sich an Ihren Händler vor Ort.

INFORMATIONEN ZUR UMWELT



Informationen zu der vom "PT340/PT341" verwendeten Open-Source-Software







Der "PT340/PT341" verwendet Open-Source-Software, die unter der Lizenz GNU GPL, LGPL, BSD und ähnlichen Lizenzen lizenziert ist.

Der vollständige Text der Lizenzen, die für diese Software gelten, ist in dem folgenden Ordner gespeichert.

Laufwerkname : \Manual

License.txt

Beschreibung der Sicherheitssymbole auf den Geräten

No.	Symbol	Beschreibung
1		„AN“ (Netzstrom) Zur Anzeige der Verbindung an das Stromnetz, zumindest für Netzschalter oder deren Stellungen.
2		Stand-by Zur Identifizierung des Schalters oder der Schalterstellung durch die Feststellung, welches Teil des Gerätes eingeschaltet ist, um es in den Stand-by-Betrieb zu schalten.
3		Allgemeiner Warnhinweis/Vorsichtshinweis Zur Identifizierung eines allgemeinen Warnhinweises/Vorsichtshinweises.
4		Achtung, heiße Oberfläche Zur Anzeige, dass der markierte Gegenstand heiß sein kann und nicht ohne entsprechende Vorsicht berührt werden sollte.
5		Gleichstrom Zur Anzeige auf dem Typenschild, dass das Gerät nur für Gleichstrom geeignet ist; zur Identifizierung entsprechender Anschlussklemmen.
6		Wechselstrom Zur Anzeige auf dem Typenschild, dass das Gerät nur für Wechselstrom geeignet ist; zur Identifizierung entsprechender Anschlussklemmen.

Inhaltsverzeichnis

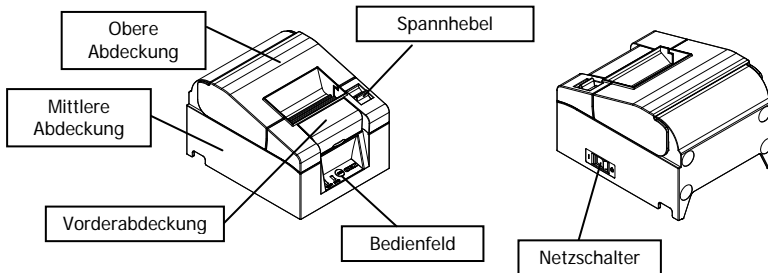
1. Übersicht über Komponenten und ihre Bezeichnungen.....	5
1-1. Bezeichnung der Komponenten	5
1-2. Lieferumfang.....	6
2. Netzteil	7
3. Papierspezifikationen.....	8
3-1. Papierbreite.....	8
3-2. Papierdicke.....	8
3-3. Papierrolle	8
3-4. Empfohlenes Thermopapier	9
4. Vorbereitung.....	10
4-1. Anschluss des Schnittstellenkabels (an den Drucker)	11
4-2. Anschluss des Schnittstellenkabels (an den Computer)	13
4-3. Anschluss des Kassenschubladenkabels.....	15
4-4. Anschluss des Netzteils und des Netzkabels	16
4-5. Entfernen des Netzteils	19
4-6. Aufstellen des Druckers.....	20
4-7. Gerät einschalten	24
4-8. Druckersoftware installieren.....	25
5. Papier einlegen.....	26
5-1. Obere Abdeckung öffnen	26
5-2. Papierbreite einstellen (Breite: 58 mm/80 mm).....	28
5-3. Papier einlegen	30
5-4. Obere Abdeckung schließen.....	32
6. Bedienfeld	33
6-1. Bedienfeld	33
6-2. Fehleranzeigen.....	34
7. Papierstau vermeiden und entfernen	36
7-1. Papierstau vermeiden	36
7-2. Papierstau entfernen.....	36
7-3. Die Abdeckung lässt sich nicht öffnen.....	37
8. Fehlerbehebung.....	40
8-1. Probleme beim Einschalten und sonstige Fehler	40
8-2. Probleme mit dem Schneidwerk.....	40
8-3. Probleme beim Drucken	41
9. Spezialmodus (Probendruck, Einrichtungsmenü, ...).....	42
9-1. Probendruck.....	42

9-2. Einrichtung ändern.....	44
9-3. Einrichtungseinstellungen	54
9-4. LAN-Einrichtungseinstellungen(Drucker mit serieller, USB und LAN Schnittstelle).....	60
9-5. HEX-Dump	63
9-6. Befehlsprotokoll	64
9-7. Musterausdruck.....	65
10. Regelmäßige Reinigung.....	69
10-1. Reinigung des Rollenhalters und der Papiertransportvorrichtung	69
10-2. Reinigung der Druckwalze.....	70
10-3. Reinigung des Thermodruckkopfes	71
11. Schnittstelle.....	72
11-1 Serielle Schnittstelle	72
11-2. USB-Schnittstelle.....	75
11-3. LAN-Schnittstelle	76
11-4. Kassenschubladen-Anschlussbuchse	77
11-5. Technische Daten - elektrischer Anschluss.....	79
12. Technische Daten.....	80
12-1. Technische Daten - allgemein	80
12-2. Technische Daten - Schneidwerk	83
12-3. Technische Daten - Wechsel der Papierrollen	83
12-4. Technische Daten - Schnittstelle	83
12-5. Technische Daten - Umgebungsbedingungen.....	84
12-6. Technische Daten - Lebensdauer	85
13. Sicherheitshinweise zur Benutzung	86
13-1. Hinweise zum Umgang mit Thermopapier	86
13-2 Hinweise zum Umgang mit dem Schneidwerk.....	87
13-3. Hinweise zum Druck von Strichcodes/2D-Codes	87
13-4. Hinweise zur Benutzung der USB-Schnittstelle.....	88
13-5. Hinweise zur Benutzung der LAN-Schnittstelle.....	88
13-6. Hinweise zur Aufstellung.....	89
13-7. Hinweise zur Benutzung eines Modularsteckers.....	89

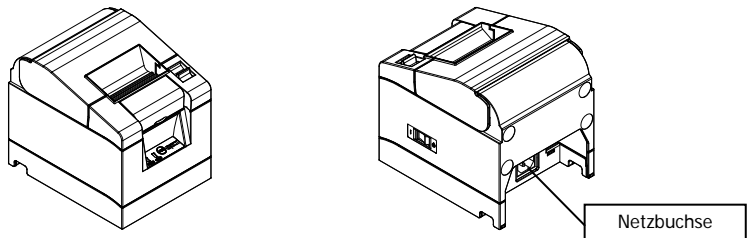
1. Übersicht über Komponenten und ihre Bezeichnungen

1-1. Bezeichnung der Komponenten

Standardmodell

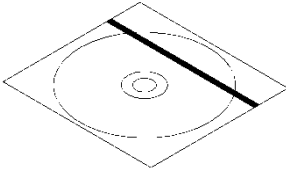


Modell mit integriertem Netzteil

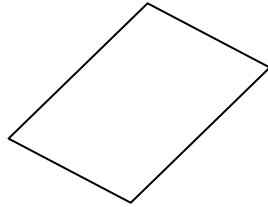


- Obere Abdeckung
Lässt sich zum Auswechseln des Papier öffnen
- Spannhebel
Dient zum Öffnen der oberen Abdeckung
- Netzschalter
Schaltet den Drucker EIN/AUS
- Bedienfeld
Enthält Schalter zur Bedienung des Druckers und Lämpchen, die den Druckerstatus anzeigen
- Vorderabdeckung
Kann entfernt werden, wenn sich Papier gestaut hat oder sich die obere Abdeckung nicht öffnen lässt
- Netzbuchse
Schließen Sie das Netzkabel hier an.

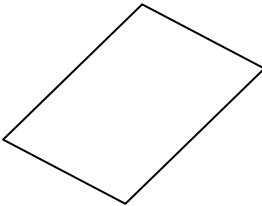
1-2. Lieferumfang



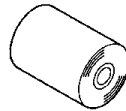
CD



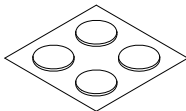
Anleitung



Sicherheitsgarantie



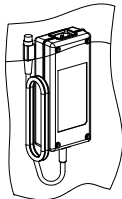
Thermopapier



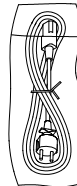
GummifüÙe
(für senkrechte Installation)



58mm Abstandshalter



Netzteil
(Standardmodell)



Netzkabel

2. Netzteil

Verwenden Sie nur das unten angegebene Netzteil.

Artikel	Nr.	Hinweise
Netzteil	KA02951-0120	Eingang: 100 - 240 V (Wechselstrom), 50-60Hz Ausgang: 24 V --- (Gleichstrom) 5 %, 1,5 A

⚠ Vorsicht: Verwenden Sie nur zugelassene Netzteile.

⚠ Vorsicht: Verwenden Sie das im Lieferumfang enthaltene Netzteil nicht für andere elektrische Geräte, sondern ausschließlich für diesen Drucker.

3. Papierspezifikationen

Verwenden Sie nur die unten angegebenen Arten von Thermopapier.

3-1. Papierbreite

- 80-mm-Papier $80mm_{-1,0}^0$
- 58-mm-Papier $58mm_{-1,0}^0$

3-2. Papierdicke

- 65 - 85 μm

3-3. Papierrolle

- Außendurchmesser: \varnothing 83 mm oder weniger
- Kerndurchmesser: \varnothing 12 \pm 0,5 mm (innen) / \varnothing 18 \pm 0,5 mm (außen)
- Bedruckbare Oberfläche: Rolle außen
- Ende der Papierrolle: Das Papier darf nicht am Kern festgeklebt sein. Das Endstück darf außerdem nicht eingefaltet sein.

⚠ Vorsicht: Verwenden Sie keine Papierrollen mit rauen Kanten oder solchen, aus denen Papierfetzen hervorstehen. Rollen dieser Art können eine reibungslose Papierzufuhr behindern und damit eine Störung des Druckers hervorrufen.

3-4. Empfohlenes Thermopapier

Hersteller	Produkt- bezeichnung	Beschreibung	Papierdicke	Dichte
Oji Paper Co., Ltd.	PD160R	einfarbiges Thermopapier (sehr lange Haltbarkeit)	75 µm	100 %
	PD190R	einfarbiges Thermopapier (lange Haltbarkeit)	75 µm	100 %
Nippon Paper Industries Co., Ltd.	TF60KS-E	einfarbiges Thermopapier (Standard-Haltbarkeit)	75 µm	100 %
	TP60KS-F1	einfarbiges Thermopapier (lange Haltbarkeit)	75 µm	100 %
	TF50KS-E	einfarbiges Thermopapier (Standard-Haltbarkeit)	65 µm	100 %
	TF62KS-E	einfarbiges Thermopapier (Standard-Haltbarkeit)	85 µm	100 %

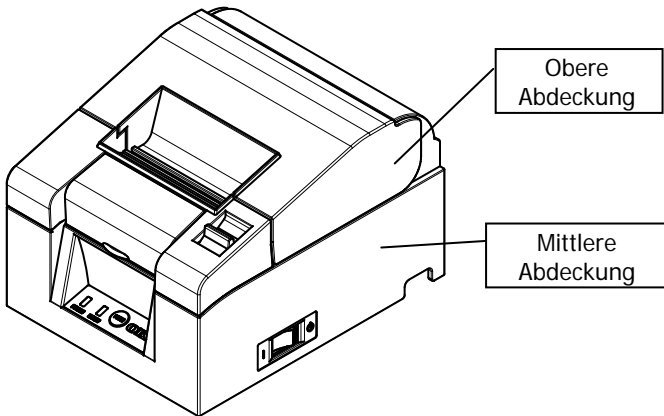
⚠ Vorsicht: Die Verwendung anderer als der empfohlenen Papiersorten kann unter anderem Schäden am Druckkopf und eine Verminderung der Druckqualität zur Folge haben.

4. Vorbereitung

Im Lieferumfang dieses Produktes ist kein Druckerkabel enthalten. Das Kabel, das Sie verwenden wollen, muss mit dem Drucker kompatibel sein. Fragen Sie ggf. Ihren Fachhändler nach dem passenden Druckerkabel. Bevor Sie Kabel einstecken oder ausstecken, vergewissern Sie sich, dass:

- (1) der Drucker und alle am Drucker angeschlossen Geräte ausgeschaltet sind und
- (2) der Netzstecker nicht in der Steckdose steckt.

⚠ Vorsicht: Beim Einstecken der Kabel und beim Bewegen des Druckers muss der Drucker an beiden Seiten der mittleren Abdeckung festgehalten werden. Halten Sie den Drucker nicht an der oberen Abdeckung fest, da sich diese dadurch öffnen könnte.



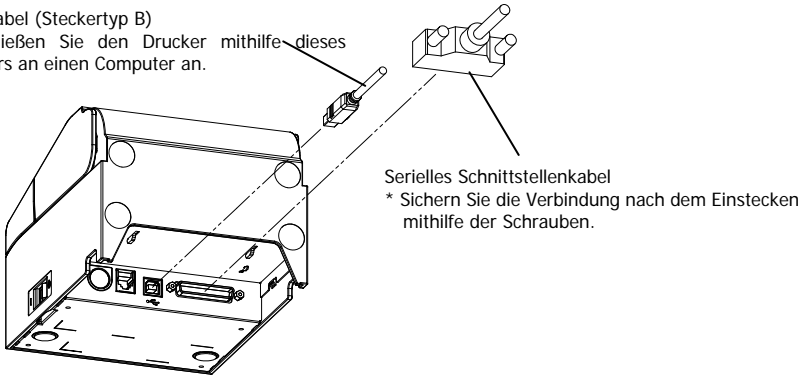
4-1. Anschluss des Schnittstellenkabels (an den Drucker)

4-1-1 Drucker mit serieller und USB-Schnittstelle

Standardmodell

USB-Kabel (Steckertyp B)

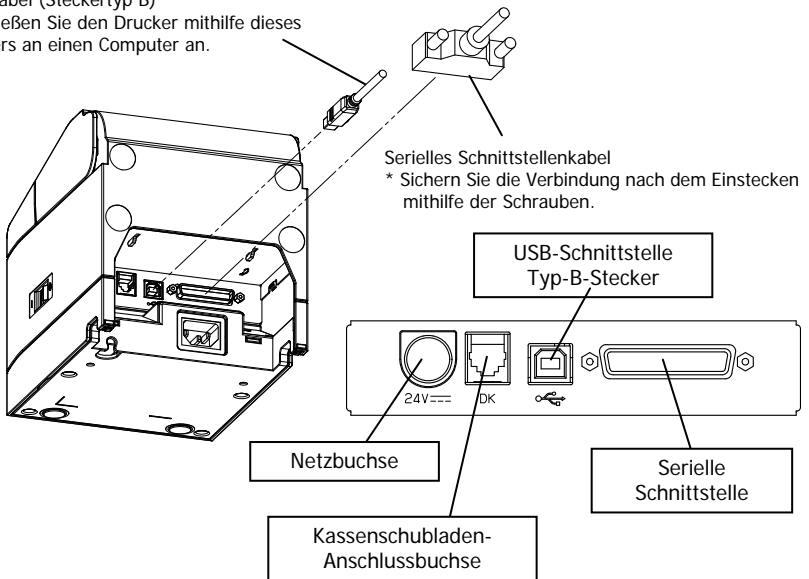
* Schließen Sie den Drucker mithilfe dieses Steckers an einen Computer an.



Modell mit integriertem Netzteil

USB-Kabel (Steckertyp B)

* Schließen Sie den Drucker mithilfe dieses Steckers an einen Computer an.



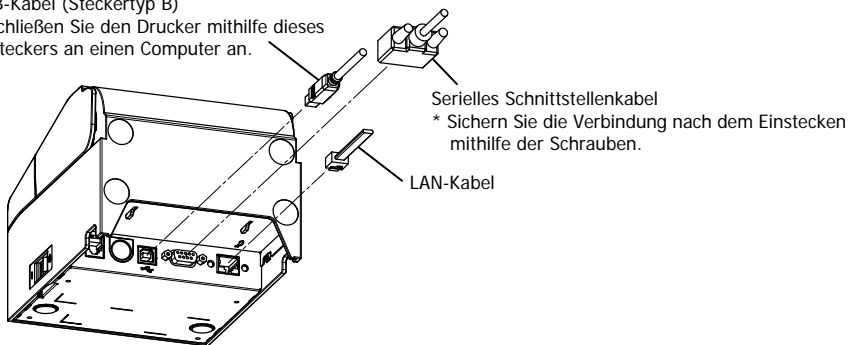
⚠ Vorsicht: Schließen Sie den Drucker nicht gleichzeitig über die serielle und die USB-Schnittstelle an.

4-1-2 Drucker mit serieller, USB-Schnittstelle und LAN-Schnittstelle

Standardmodell

USB-Kabel (Steckertyp B)

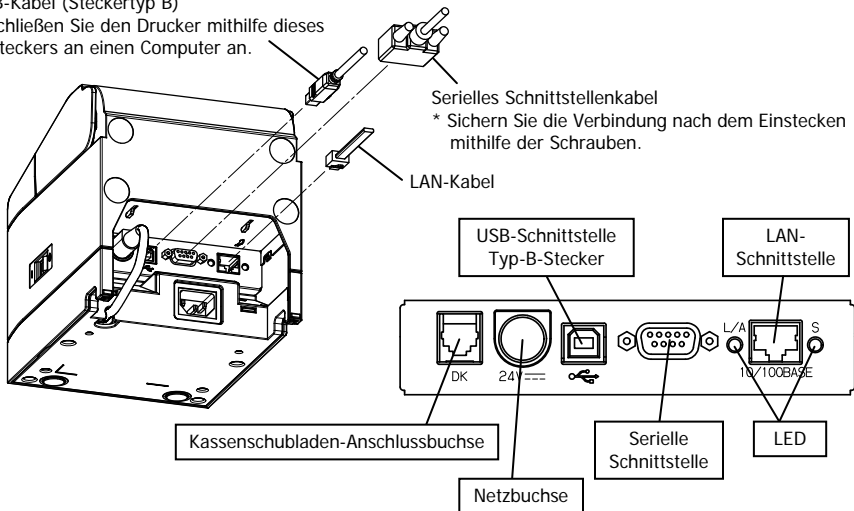
* Schließen Sie den Drucker mithilfe dieses Steckers an einen Computer an.



Modell mit integriertem Netzteil

USB-Kabel (Steckertyp B)

* Schließen Sie den Drucker mithilfe dieses Steckers an einen Computer an.



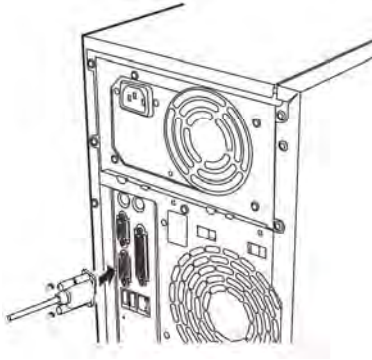
⚠ Vorsicht: Mehrere Schnittstellen können nicht gleichzeitig angeschlossen werden.

⚠ Vorsicht: Während dieser Drucker 3 verschiedene Schnittstellen unterstützt, ist er zum Zeitpunkt des Versands auf die LAN-Einstellungen gesetzt. Wenn Sie also die USB-Schnittstelle oder die serielle Schnittstelle verwenden möchten, ändern Sie bitte vor der Verwendung unbedingt die Einstellungen. Weitere Details zur Änderung der Einrichtungseinstellungen finden Sie unter „9-4. LAN-Einrichtungseinstellungen“.

4-2. Anschluss des Schnittstellenkabels (an den Computer)

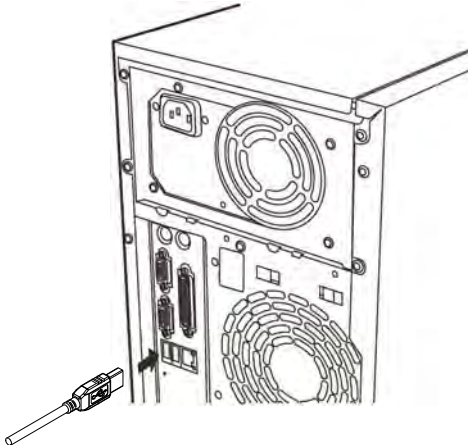
4-2-1 Serielle Schnittstelle

- (1) Schließen Sie das Kabel für die serielle Schnittstelle so an den seriellen Port des Computers an, wie es die Abbildung zeigt.



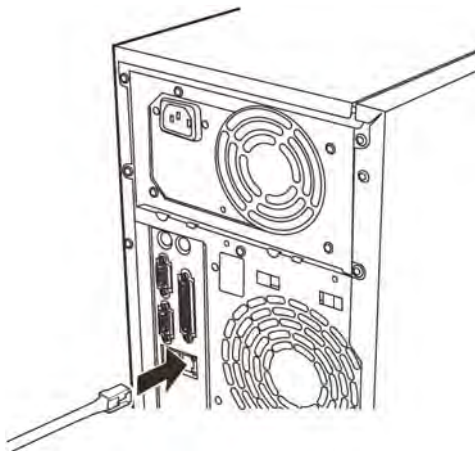
4-2-2 USB-Schnittstelle

- (1) Schließen Sie das USB-Kabel so an den USB-Port des Computers an, wie es die Abbildung zeigt.



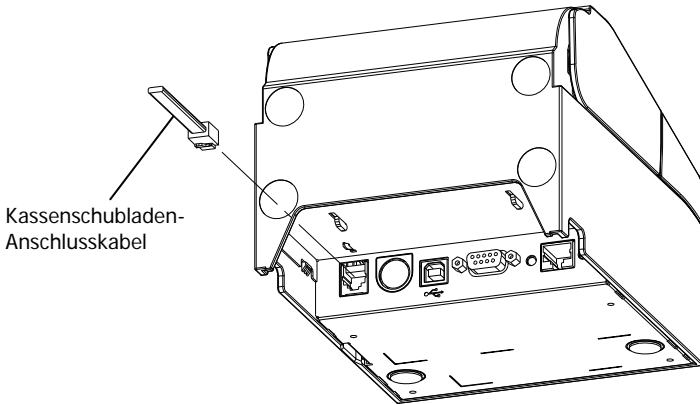
4-2-3 LAN-Schnittstelle

- (1) Schließen Sie das LAN-Kabel so an den LAN-Port des Computers an, wie es die Abbildung zeigt.

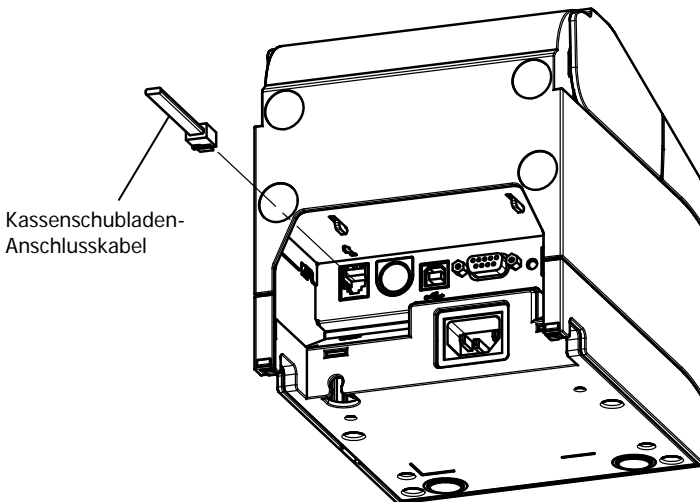


4-3. Anschluss des Kassenschubladenkabels

Standardmodell



Modell mit integriertem Netzteil

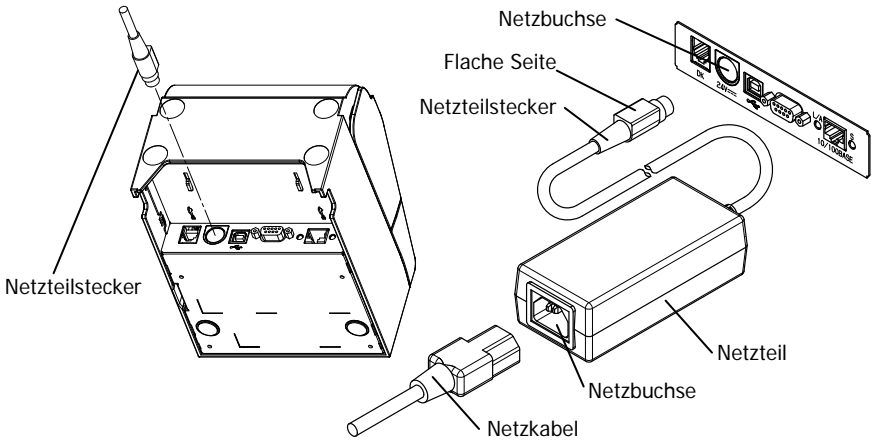


⚠ Vorsicht: Dieses Gerät ist mit einem speziellen Modularstecker für die Kassenschublade ausgestattet. Verwenden Sie keine anderen Stecker wie zum Beispiel Telefonstecker.

4-4. Anschluss des Netzteils und des Netzkabels

Standardmodell

(1) Schließen Sie den Netzteilstecker an die Netzbuchse an.

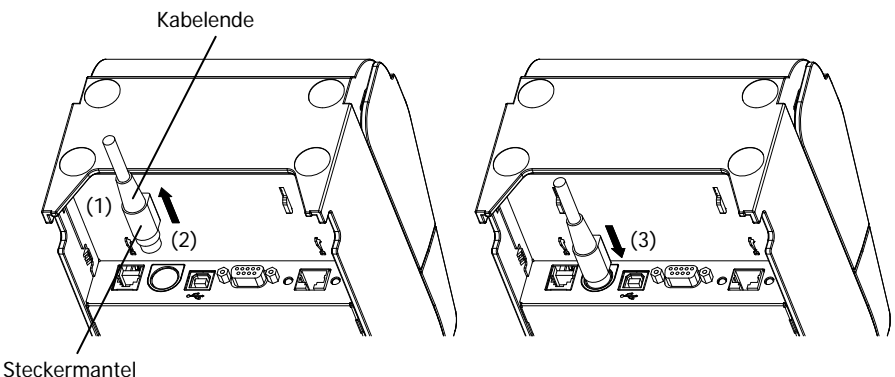


⚠ Vorsicht: Schalten Sie den Drucker und alle an ihm angeschlossenen Geräte am jeweiligen Netzschalter ab, bevor Sie das Netzteil anschließen. Ziehen Sie außerdem den Netzstecker des Netzteils aus der Steckdose.

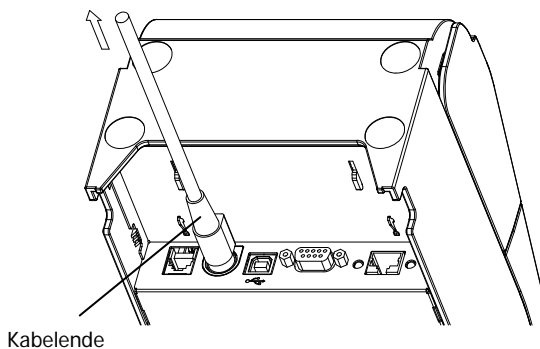
⚠ Vorsicht: Verwenden Sie nur das angegebene Netzteil.

⚠ Vorsicht: Zur einfacheren Handhabung stellen Sie das Gerät senkrecht, während Sie das Netzteil anschließen.

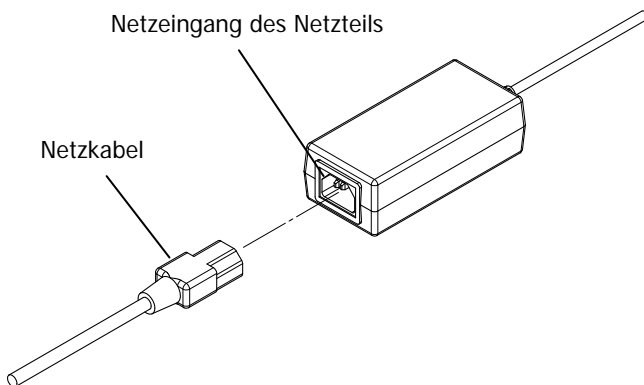
⚠ Vorsicht: Zur Arretierung des Steckers rastet dieser beim Anschluss in die Buchse ein. Um dies zu erreichen, (1) halten Sie mit einer Hand das Kabel kurz hinter dem Stecker fest, (2) schieben Sie mit der anderen den Steckermantel hoch (3) und schieben Sie den Stecker in die Buchse, bis er einrastet.



- (2) Vergewissern Sie sich, dass das Kabel arretiert ist, indem Sie nach dem Einstecken leicht am Kabelende ziehen.



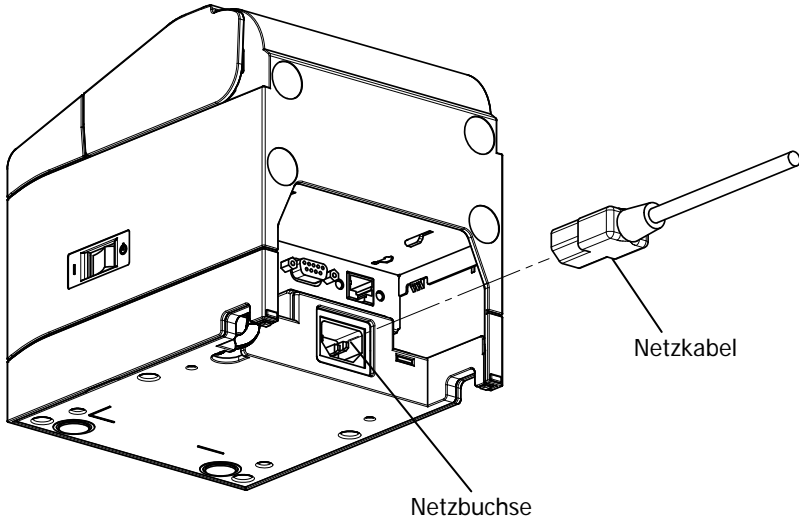
- (3) Schließen Sie das Netzkabel an den Netzeingang des Netzteils an.



- (4) Stecken Sie den Stecker des Netzkabels in eine Steckdose.

Modell mit integriertem Netzteil

(1) Schließen Sie das Netzkabel an die Netzbuchse an.

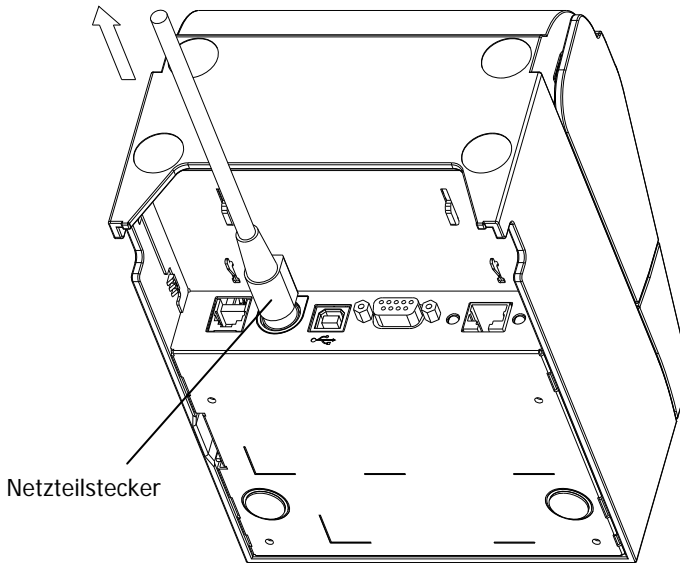


- ⚠ Vorsicht:** Schalten Sie den Drucker und alle an ihm angeschlossenen Geräte am jeweiligen Netzschalter ab, bevor Sie das Netzkabel anschließen. Ziehen Sie außerdem das Netzkabel von der Steckdose ab.
- ⚠ Vorsicht:** Zur einfacheren Handhabung stellen Sie das Gerät senkrecht, während Sie das Netzkabel anschließen.
- ⚠ Vorsicht:** Verwenden Sie ein Netzkabel mit abgewinkeltem Stecker, wenn Sie das Gerät senkrecht aufstellen.

(2) Stecken Sie den Stecker des Netzkabels in eine Steckdose.

4-5. Entfernen des Netzteils

Um den Netzteilstecker abzuziehen, halten Sie ihn am Kabelende und ziehen Sie, wie in der Abbildung zu sehen. Auf diese Weise löst sich die Arretierung und der Stecker lässt sich leicht abziehen. Gewaltames Ziehen am Kabel kann den Stecker beschädigen.



- ⚠ **Vorsicht:** Schalten Sie den Drucker und alle an ihm angeschlossenen Geräte am jeweiligen Netzschalter ab, bevor Sie das Netzteil entfernen. Ziehen Sie außerdem den Netzstecker des Netzteils aus der Steckdose.
- ⚠ **Vorsicht:** Halten Sie das Gerät senkrecht, um den Netzteilstecker leichter abziehen zu können.

4-6. Aufstellen des Druckers

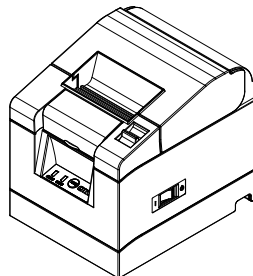
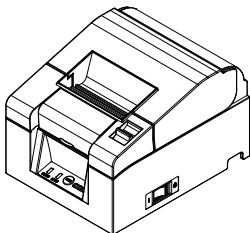
Der Drucker kann sowohl waagrecht (Papierausgabe oben) als auch senkrecht (Papierausgabe vorn) aufgestellt werden.

Wird der Drucker senkrecht aufgestellt, kann mit dem optionalen

Spritzwasserschutz das Eindringen von Flüssigkeiten verhindert werden.

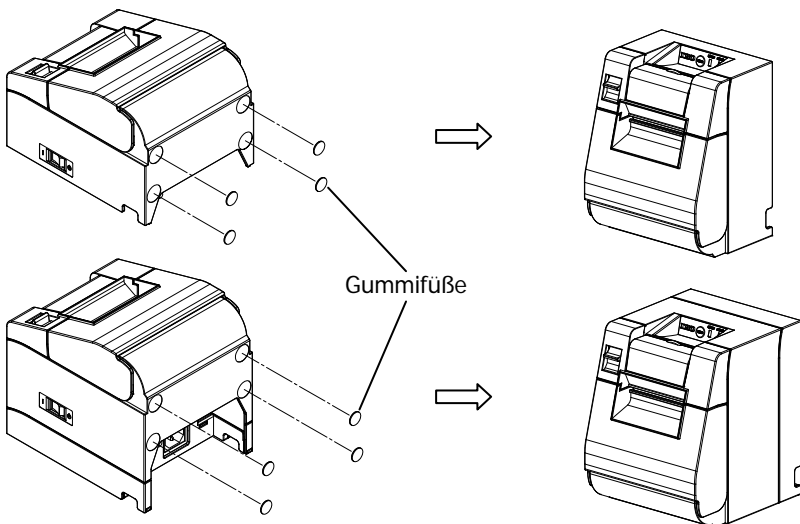
Mit der optionalen Aufhängung kann der Drucker außerdem an der Wand befestigt werden.

Waagrechte Aufstellung



Senkrechte Aufstellung

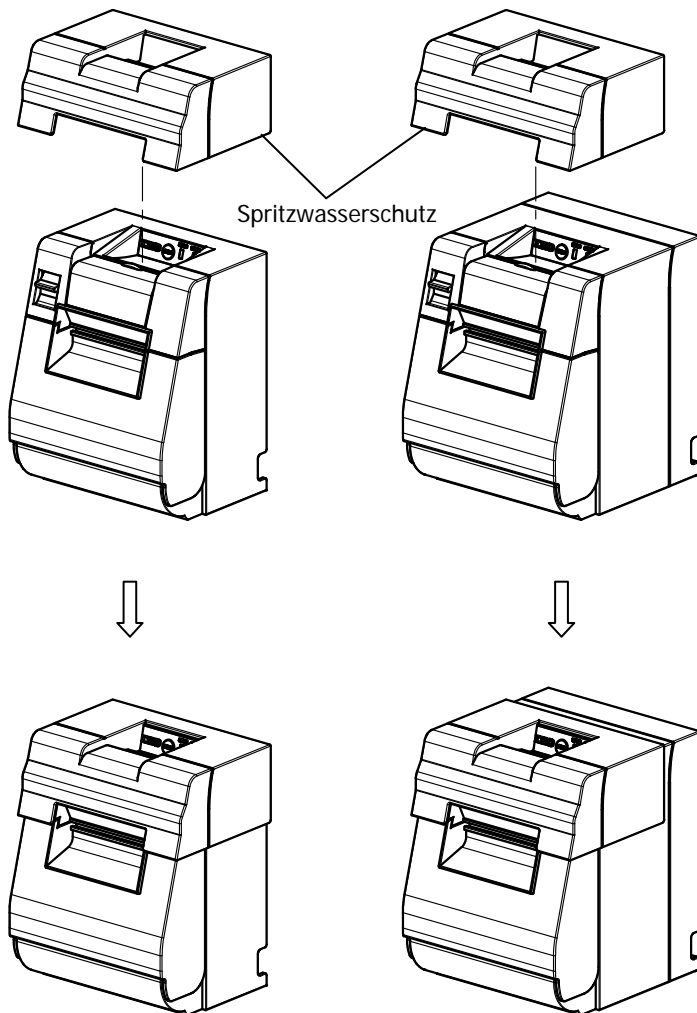
Soll der Drucker senkrecht aufgestellt werden, kleben Sie die beiliegenden GummifüÙe in die runden Vertiefungen in der hinteren Abdeckung.



⚠ Vorsicht: Die Vertiefungen müssen frei von Schmutz sein, bevor Sie die GummifüÙe einkleben.

Spritzwasserschutz (optional)

Befestigen Sie den Spritzwasserschutz auf der Oberseite des senkrecht aufgestellten Druckers.

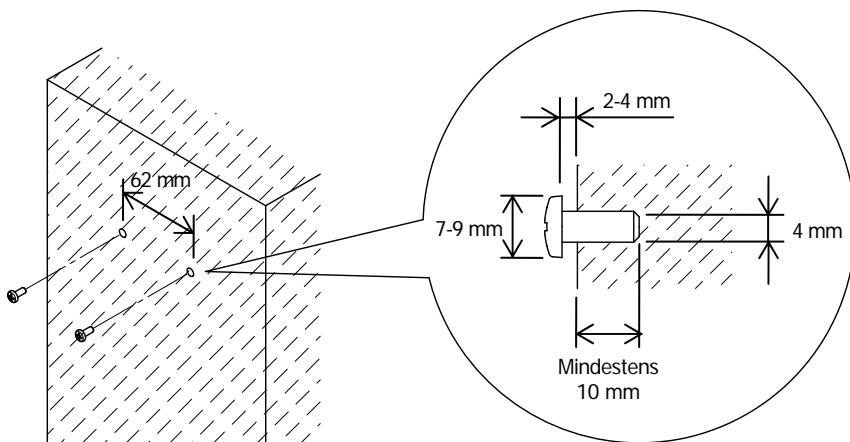


⚠ Vorsicht: Der Spritzwasserschutz darf nur bei senkrechter Aufstellung verwendet werden.

Wandbefestigung (optional)

Beachten Sie folgende Anweisungen, wenn Sie den Drucker an einer Wand befestigen wollen:

- (1) Schrauben Sie zwei Metallschrauben (Gewindedurchmesser: \varnothing 4 mm, Kopfdurchmesser: \varnothing 7 mm) in die Wand. Der waagerechte Abstand der Schrauben muss dabei 62 mm betragen; die Schraube muss mindestens 10 mm in die Wand hinein- und 2-4 mm herausragen.



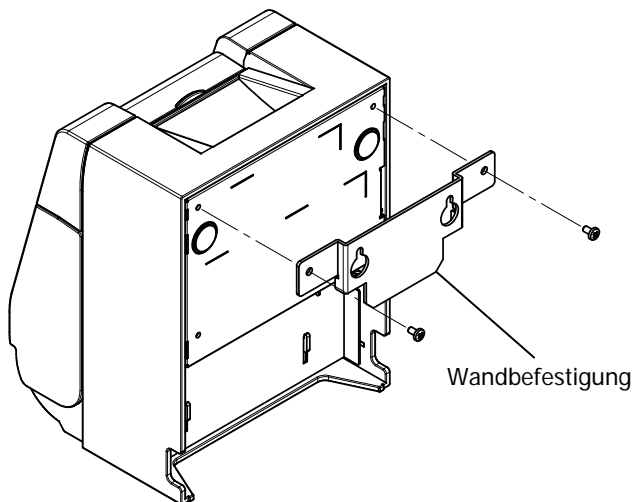
⚠ Vorsicht: Nur an einer Holz-, Beton- oder Metallwand hängt der Drucker stabil. Die empfohlene Wanddicke beträgt mindestens 10 mm.

Verwenden Sie Schrauben aus Metall.

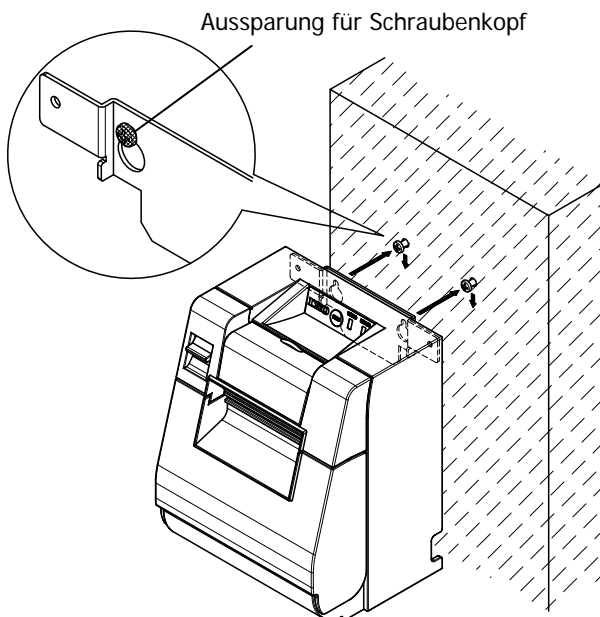
Die für die Aufhängung verwendeten Schrauben müssen einer Ausziehungskraft von mindestens 150 N widerstehen.

⚠ Vorsicht: Die Wandbefestigung ist nur für Drucker mit externem Netzteil (Standardmodell) geeignet.

- (2) Bringen Sie die Wandbefestigung am Drucker an und befestigen Sie sie mit den beiliegenden Schrauben.



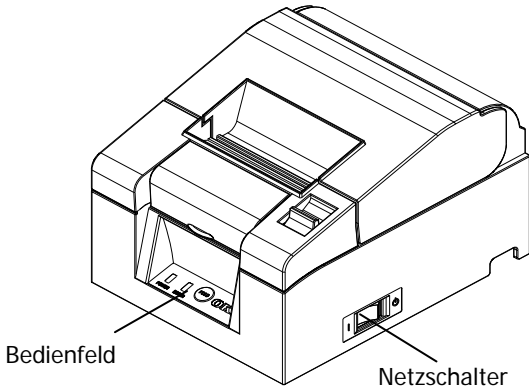
- (3) Richten Sie die Bohrungen der Wandbefestigung an den in der Wand befestigten Schrauben aus und hängen Sie den Drucker auf.



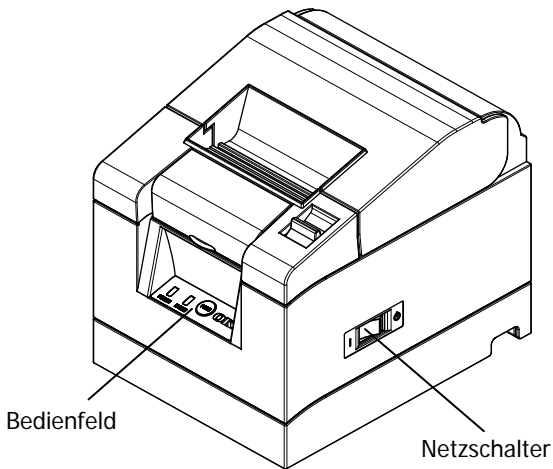
4-7. Gerät einschalten

- (1) Schließen Sie das Netzkabel wie in Kapitel 4-4 beschrieben an.
- (2) Schalten Sie das Gerät an der Seite ein.
Nach dem Einschalten leuchtet die POWER-Anzeige auf dem Bedienfeld.

Standardmodell



Modell mit integriertem Netzteil



4-8. Druckersoftware installieren

Bitte beachten Sie die Installationsanweisungen für die Druckertreiber und die Dienstprogrammsoftware auf der beiliegenden CD in der „Installation Guide“ (Installationsanleitung) (*1).

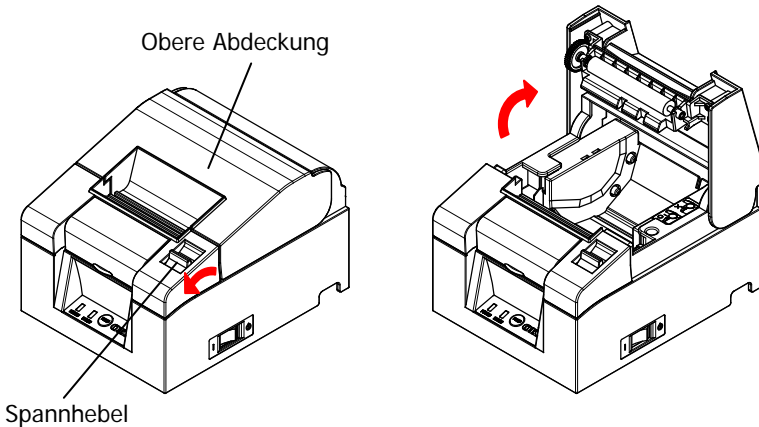
*1: \Manuals\PT340-341_InstallGuide_en.pdf

Sie können die „Installation Guide“ (Installationsanleitung) auch öffnen, indem Sie die CD in das CD/DVD-Laufwerk Ihres Computers einlegen und im Bildschirm „Setup“ die Option „Manuals“ auswählen.

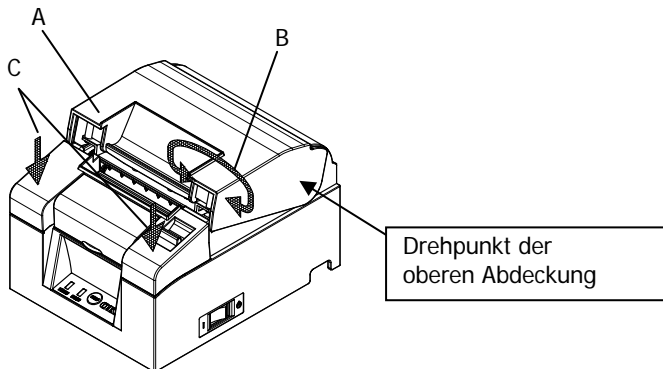
5. Papier einlegen

5-1. Obere Abdeckung öffnen

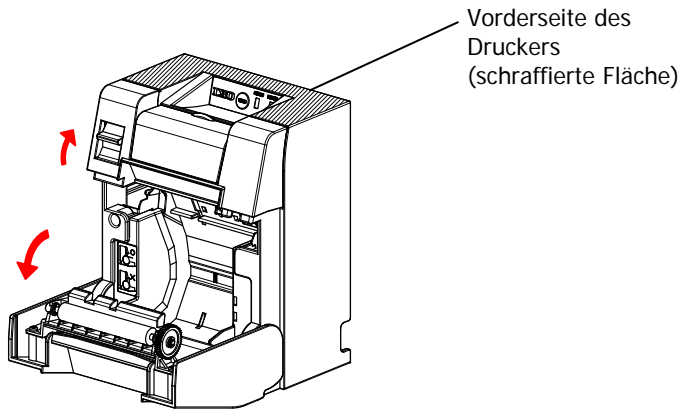
- (1) Ziehen Sie den Spannhebel in Richtung des Pfeils und öffnen Sie dann die obere Abdeckung.



- ⚠ Vorsicht:** Heben Sie die Abdeckung an, bis sie senkrecht steht, damit sie offen bleibt.



- ⚠ Vorsicht:** Halten Sie das Gerät zum Öffnen der Abdeckung auf einer Seite an C fest und heben Sie die Abdeckung an A oder B an. Fassen Sie das Gerät nicht in der Nähe des Scharniers der oberen Abdeckung an, um ein Einklemmen der Finger zu vermeiden.



⚠ Vorsicht: Halten Sie bei senkrechter Aufstellung des Druckers die Vorderseite (schraffierte Fläche in der Abbildung) fest, um die obere Abdeckung zu öffnen.

5-2. Papierbreite einstellen (Breite: 58 mm/80 mm)

Die Papierbreite ist standardmäßig auf 80 mm eingestellt. Befolgen Sie die Anweisungen in Kapitel „5-3. Papier einlegen“, um eine Papierrolle mit 80 mm Breite einzulegen.

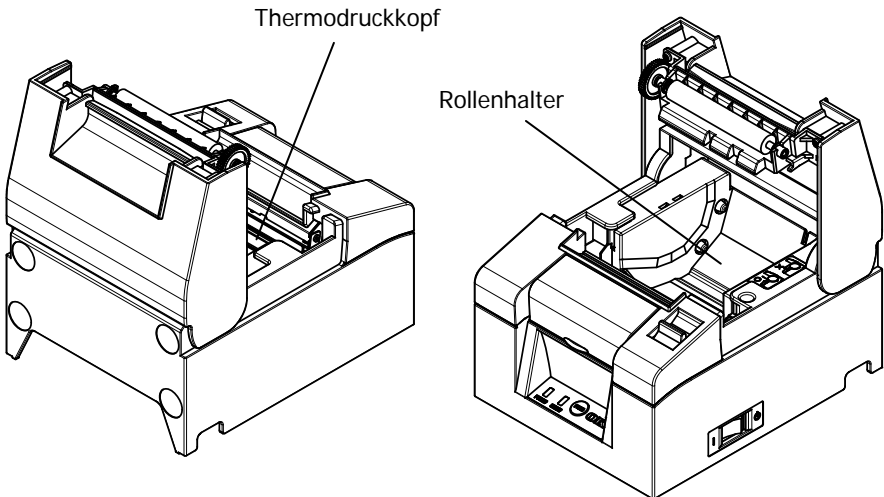
Wenn Sie Papier mit einer Breite von 58 mm verwenden, setzen Sie den Abstandshalter gemäß den Anweisungen in Kapitel „5-2-1. Abstandshalter einsetzen“ ein und legen Sie dann die Papierrolle ein.

Befolgen Sie außerdem die Anweisungen im Kapitel „9-2. Einrichtung ändern“, um die „Papierbreite“ im Drucker auf „58 mm/35 Spalten“ oder „58 mm/32 Spalten“ einzustellen.

⚠ Vorsicht: Wechseln Sie nicht von 58 mm auf 80 mm, während ein Druckvorgang läuft. Wenn Sie sehr schmales Papier verwenden, kann ein Teil des Thermodruckkopfes direkt mit der Druckwalze in Verbindung kommen. Dadurch verschleißt der Druckkopf schneller und die Druckqualität verschlechtert sich.

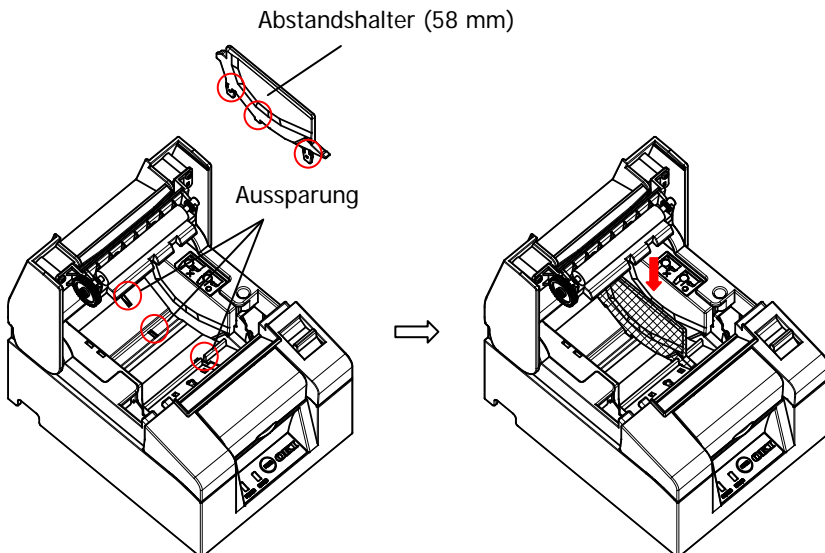
Da die Klinge auch an Stellen ohne Papier schneidet, kann sie ab stumpfen und die Schnittleistung nachlassen.

⚠ Vorsicht: Da elektrostatische Aufladung den Thermodruckkopf beschädigen kann, berühren Sie ihn möglichst nur zur Reinigung.



5-2-1 Abstandshalter einsetzen

- (1) Richten Sie die drei Zähne des mitgelieferten Abstandshalters für 58 mm an den entsprechenden Aussparungen im Drucker aus und drücken Sie ihn hinein.



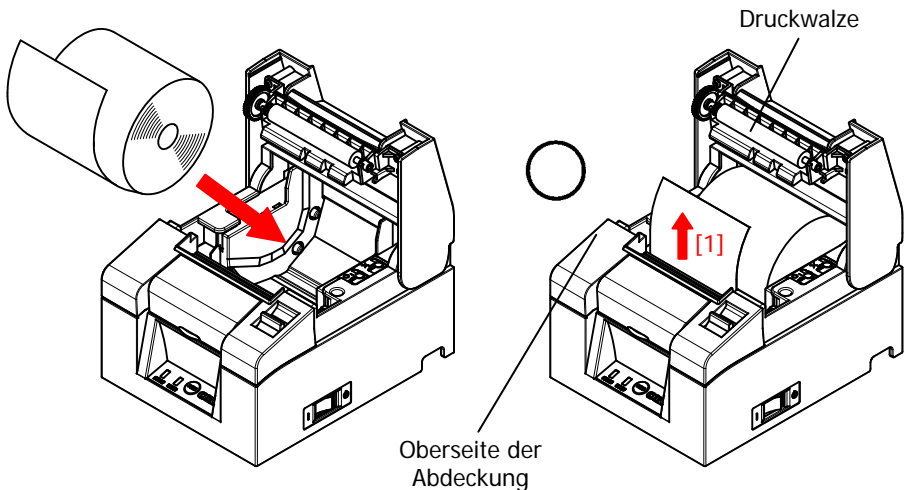
- ⚠ **Vorsicht:** Schieben Sie den Abstandshalter hinein, bis er mit einem Klick einrastet. Achten Sie darauf, dass die Oberkante des Abstandshalters waagrecht ist.
- ⚠ **Vorsicht:** Zur Einstellung der Papierbreite mithilfe des Abstandshalters und zur Ausrichtung des Papiers am Druckbereich befolgen Sie bitte die Anweisungen im Abschnitt Spezialmodus.
(Siehe Kapitel 9, Spezialmodus: 9-2. Einrichtung ändern.)

5-3. Papier einlegen

- (1) Entfernen Sie bei einer neuen Papierrolle das Klebeband und den festgeklebten Abschnitt.
Nehmen Sie vor dem Einsetzen der neuen Rolle den Pappkern der alten Rolle heraus.

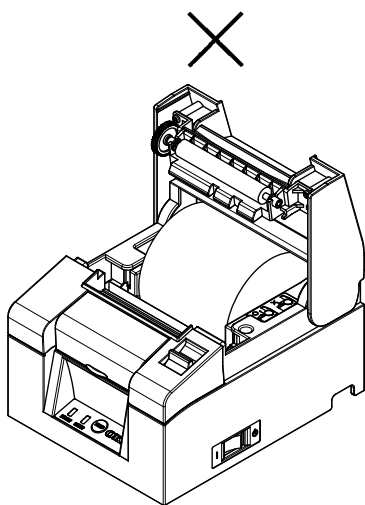
⚠ Vorsicht: Da auf der geklebten Fläche des Papiers nicht gedruckt werden sollte, entfernen Sie etwa eine Wicklung (ca. 30 cm) Papier von der Rolle, bis kein Leim mehr am Papier vorhanden ist. Verbleibender Klebstoff oder sonstige Materialreste können sich am Thermodruckkopf festsetzen und den Druck beeinträchtigen (z. B. weiße Flächen auf Ausdrucken). Achten Sie also darauf, den mit Klebstoff versehenen Abschnitt von der Papierrolle abzutrennen.

- (2) Nachdem Sie die neue Papierrolle mit der abgebildeten Ausrichtung eingelegt haben, ziehen Sie das Ende des Papiers in Richtung des Pfeils [1].

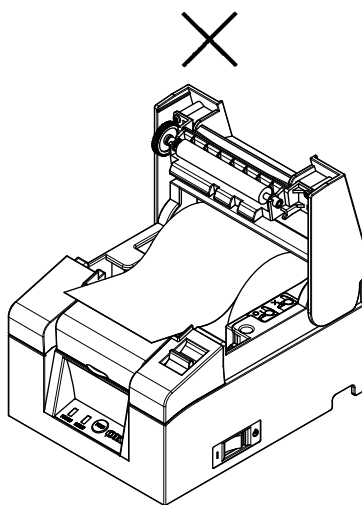


- ⚠ Vorsicht:** Ziehen Sie das Papier so weit heraus, dass es über die Oberseite der Abdeckung hinausragt.
- ⚠ Vorsicht:** Achten Sie darauf, die Druckwalze nicht zu beschädigen oder zu verformen. Dellen auf der Druckwalze führen zu Lücken beim Drucken und/oder Störungen beim Papiervorschub.

⚠ Vorsicht: Nachfolgend finden Sie Beispiele für das falsche Einlegen von Papierrollen, das zu Papierstau und Druckfehlern führen kann.

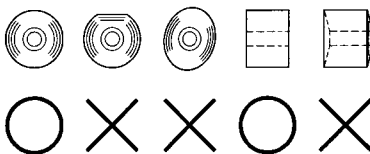


Das Papier ragt nicht über die Oberseite der Abdeckung hinaus.



Das Papier wurde verkehrt eingelegt.

⚠ Vorsicht: Verwenden Sie keine verformten Papierrollen. Die Verwendung der nachstehend abgebildeten Papierrollen kann zu Papierstau und Druckfehlern führen.

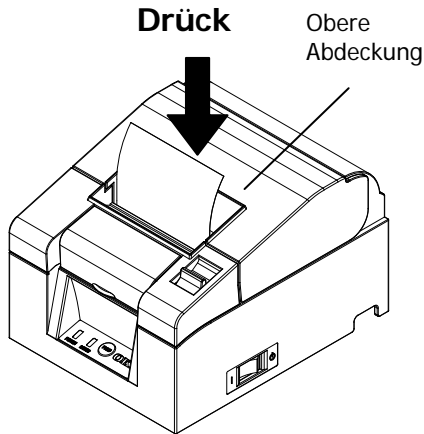


⚠ Vorsicht: Wenn die Papierrolle zu locker gewickelt ist (siehe nachstehende Abbildung), entfernen Sie diesen Teil des Papiers, bevor Sie die Rolle einsetzen. Anderenfalls kann es zu Papierstau oder Druckfehlern kommen oder die Erkennungsfunktion für das Papierende ist beeinträchtigt.

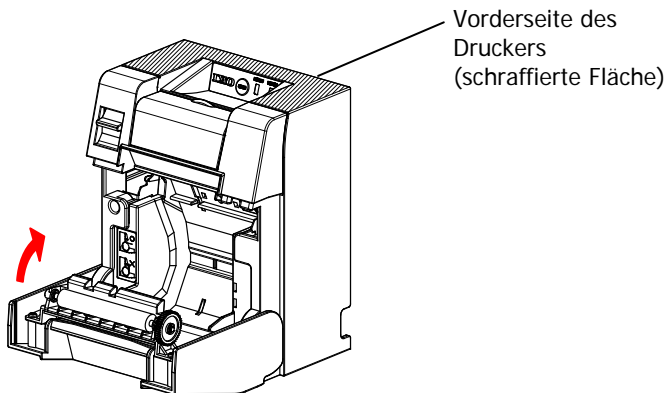


5-4. Obere Abdeckung schließen

Setzen Sie die Papierrolle richtig ein und schließen Sie vorsichtig die obere Abdeckung.



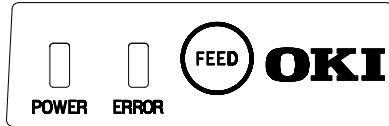
- ⚠ **Vorsicht:** Richten Sie das Papier genau aus. Wenn das Papier schief ausgerichtet ist und Sie die Abdeckung schließen, kann es zu Papierstau oder Druckfehlern kommen.
- ⚠ **Vorsicht:** Drücken Sie zum Schließen der Abdeckung auf deren Mitte (siehe Pfeil in der Abbildung), bis sie hörbar einrastet. Wenn die Abdeckung nicht einrastet, funktioniert der Drucker möglicherweise nicht richtig.



- ⚠ **Vorsicht:** Halten Sie bei senkrechter Aufstellung des Druckers die Vorderseite (schraffierte Fläche in der Abbildung) fest, während Sie die obere Abdeckung öffnen.

6. Bedienfeld

6-1. Bedienfeld



POWER-Anzeige (●)

Wenn der Drucker eingeschaltet ist und mit Strom versorgt wird, leuchtet diese Lampe.

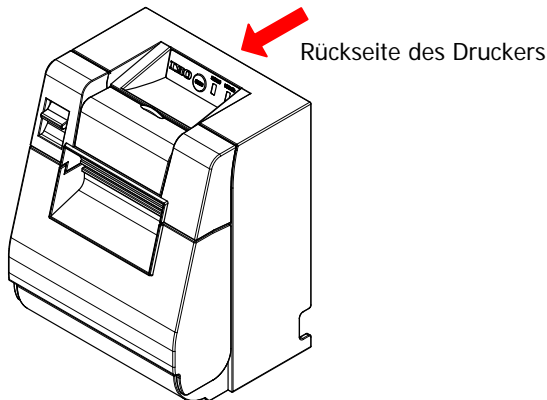
ERROR-Anzeige (●)

Diese Lampe zeigt einen Fehler an, indem sie leuchtet oder blinkt.

FEED-Knopf

Durch einmaliges Drücken dieses Knopfes wird das Papier um eine Zeile nach vorn transportiert.

Durch anhaltendes Drücken des Knopfes wird das Papier kontinuierlich transportiert.



⚠ Vorsicht: Halten Sie bei senkrechter Aufstellung des Druckers immer die Rückseite des Druckers fest, während Sie den FEED-Knopf drücken, damit das Gerät nicht umfällt.

6-2. Fehleranzeigen

Behebbarer Fehler

Fehlerstatus	LED-Anzeige	Blinkmuster
Kein Papier Papierende	POWER (●)	Leuchtet dauerhaft
	ERROR (●)	Leuchtet dauerhaft
Abdeckung offen	POWER (●)	Leuchtet dauerhaft
	ERROR (●)	Leuchtet dauerhaft
Papierstau im Schneidwerk	POWER (●)	Leuchtet dauerhaft
	ERROR (●)	Leuchtet dauerhaft

Fehlerstatus	LED-Anzeige	Blinkmuster
Papier fast alle	POWER (●)	Leuchtet dauerhaft
	ERROR (●)	
Druckkopf überhitzt	POWER (●)	
	ERROR (●)	● Keine Veränderung

Nicht behebbare Fehler

Fehlerstatus	LED-Anzeige	Blinkmuster
Interner Fehler	POWER (●)	---●---●---
	ERROR (●)	●-----
		● blinkt zweimal und ● einmal
Druckkopf nicht installiert	POWER (●)	---●---●---●---
	ERROR (●)	●-----
		● blinkt dreimal und ● einmal
Unterspannung	POWER (●)	---●---●---●---●---
	ERROR (●)	●-----
		● blinkt viermal und ● einmal
Überspannung	POWER (●)	---●---●---●---●---●---
	ERROR (●)	●-----
		● blinkt fünfmal und ● einmal
Watchdog-Timer-Fehler	POWER (●)	---●---●---●---●---●---●---●---
	ERROR (●)	●-----
		● blinkt achtmal und ● einmal
SPI Flash ROM-Fehler	POWER (●)	---●---●---●---●---●---●---●---●---
	ERROR (●)	●-----
		● blinkt neunmal und ● einmal

7. Papierstau vermeiden und entfernen

7-1. Papierstau vermeiden

Fassen Sie das Papier nicht an, während es ausgegeben wird oder bevor der Schneidvorgang abgeschlossen ist.

Durch Drücken oder Ziehen am Papier kann es zu Papierstau, Schneidfehlern oder Störungen beim Papiervorschub kommen.

7-2. Papierstau entfernen

Bei einem Papierstau entfernen Sie das Papier wie folgt:

(1) Schalten Sie den Drucker am Netzschalter aus.

(2) Ziehen Sie den Spannhebel in Ihre Richtung und öffnen Sie die obere Abdeckung.

Wenn sich die Abdeckung nicht öffnen lässt, lesen Sie die Anweisungen in Kapitel „7-3. Die Abdeckung lässt sich nicht öffnen“, um den Papierstau zu entfernen.

(3) Halten Sie den Drucker fest und ziehen Sie das gestaute Papier heraus.

⚠ Vorsicht: Ziehen Sie dabei das Papier langsam und vorsichtig heraus.

⚠ Vorsicht: Da elektrostatische Aufladung den Thermodruckkopf beschädigen kann, berühren Sie ihn bitte nicht. Außerdem kann sich der Thermodruckkopf während des Druckens stark erhitzen.

(4) Setzen Sie die Papierrolle richtig ein und schließen Sie vorsichtig die obere Abdeckung.

⚠ Vorsicht: Richten Sie das Papier genau aus. Wenn das Papier schief ausgerichtet ist und Sie die Abdeckung schließen, kann es zu Papierstau oder Druckfehlern kommen.

⚠ Vorsicht: Drücken Sie zum Schließen der Abdeckung auf deren Mitte, bis sie hörbar einrastet. Wenn die Abdeckung nicht einrastet, funktioniert der Drucker möglicherweise nicht richtig.

(5) Schalten Sie den Drucker ein, um die Stromversorgung wiederherzustellen. Vergewissern Sie sich, dass die ERROR-Anzeige nicht mehr leuchtet.

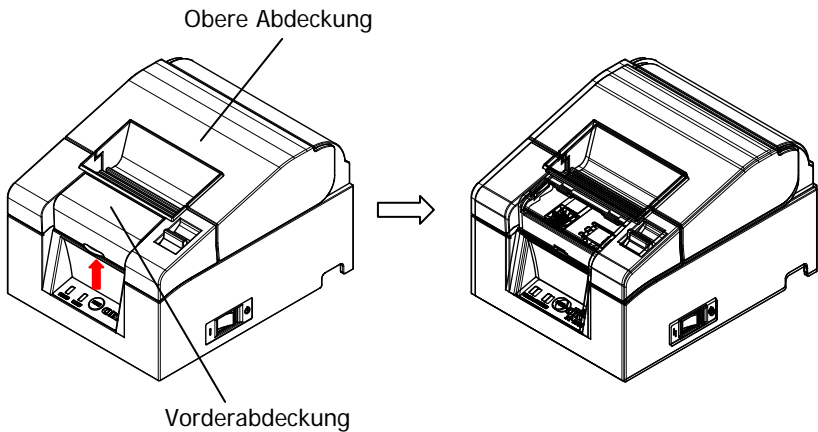
⚠ Vorsicht: Da keine Druckdaten empfangen werden können, solange die ERROR-Anzeige leuchtet, achten Sie darauf, dass die obere Abdeckung fest geschlossen ist.

7-3. Die Abdeckung lässt sich nicht öffnen

Wenn der Drucker aufgrund eines Fehlers, wie einem Papierstau, anhält und die Klinge freiliegt, lässt sich die obere Abdeckung nicht öffnen.

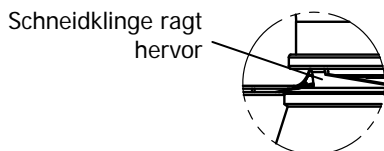
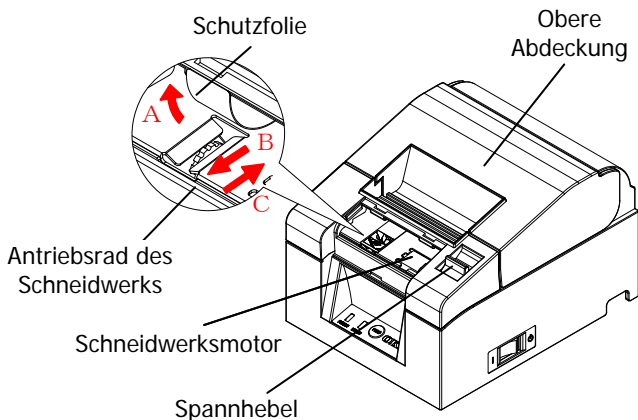
Versuchen Sie in diesem Fall nicht, die Abdeckung gewaltsam zu öffnen, sondern gehen Sie wie folgt vor:

- (1) Schalten Sie den Drucker am Netzschalter aus.
- (2) Schalten Sie ihn wieder ein. Dadurch wird das Schneidwerk aktiviert und der Papierstau möglicherweise entfernt.
- (3) Ziehen Sie den Spannhobel in Ihre Richtung und prüfen Sie, ob sich die Abdeckung öffnen lässt. Falls ja, schalten Sie das Gerät wieder aus und befolgen Sie zum Entfernen des Papierstaus die Anweisungen ab Schritt (6). Wenn sich die Abdeckung nach dem Einschalten immer noch nicht öffnen lässt, schalten Sie das Gerät wieder aus und befolgen Sie zum Entfernen des Papierstaus die Anweisungen ab Schritt (4).
- (4) Entfernen Sie die Vorderabdeckung, indem Sie sie in Richtung des Pfeils ziehen.

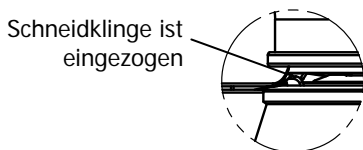


- (5) Heben Sie die Schutzfolie in Richtung des Pfeils A an und drehen Sie das Antriebsrad des Schneidwerks in Richtung des Pfeils B, während Sie den Spannhebel zu sich ziehen.

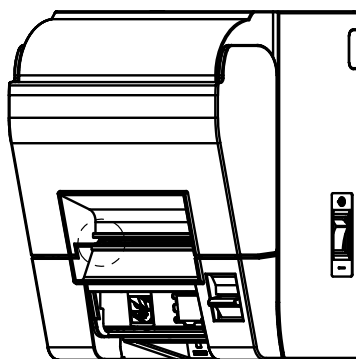
Wenn sich die Schneidklinge trotz Drehen des Antriebsrads nicht bewegt und sich die Abdeckung immer noch nicht öffnen lässt, ziehen Sie den Spannhebel in Ihre Richtung und drehen das Antriebsrad in die entgegengesetzte Richtung (Pfeil C), bis sich die Abdeckung öffnen lässt.



Die obere Abdeckung lässt sich nicht öffnen



Die obere Abdeckung lässt sich öffnen



- ⚠ Vorsicht:** Berühren Sie nicht den Antriebsmotor des Schneidwerks, da er sich während des Drucks stark erhitzen kann.
- ⚠ Vorsicht:** Berühren Sie nicht das Schneidwerk, da das Ende der Klinge sehr scharf und gefährlich ist.
- ⚠ Vorsicht:** Wenn sich die obere Abdeckung nicht öffnen lässt, obwohl Sie es mit Drehen des Antriebsrads in beide Richtungen versucht haben, wenden Sie sich bitte an Ihren zuständigen Servicepartner.

(6) Öffnen Sie die obere Abdeckung, halten Sie den Drucker fest und entfernen Sie das gestaute Papier.

⚠ Vorsicht: Ziehen Sie dabei das Papier langsam und vorsichtig heraus.

⚠ Vorsicht: Da elektrostatische Aufladung den Thermodruckkopf beschädigen kann, berühren Sie ihn bitte nicht. Außerdem kann sich der Thermodruckkopf während des Druckens stark erhitzen.

(7) Setzen Sie die Papierrolle richtig ein und schließen Sie vorsichtig die obere Abdeckung.

⚠ Vorsicht: Richten Sie das Papier genau aus. Wenn das Papier schief ausgerichtet ist und Sie die Abdeckung schließen, kann es zu Papierstau oder Druckfehlern kommen.

⚠ Vorsicht: Drücken Sie zum Schließen der Abdeckung auf deren Mitte, bis sie hörbar einrastet. Wenn die Abdeckung nicht einrastet, funktioniert der Drucker möglicherweise nicht richtig.

(8) Schalten Sie das Gerät ein. Vergewissern Sie sich, dass die ERROR-Anzeige nicht mehr leuchtet.

⚠ Vorsicht: Da keine Druckdaten empfangen werden können, solange die ERROR-Anzeige leuchtet, achten Sie darauf, dass die obere Abdeckung fest geschlossen ist.

8. Fehlerbehebung

In diesem Abschnitt finden Sie Lösungen bei Fehlfunktionen des Druckers und verminderter Druckqualität.

8-1. Probleme beim Einschalten und sonstige Fehler

Problem	Ursache	Lösung
Obwohl der Drucker eingeschaltet ist, leuchtet die POWER-Anzeige auf dem Bedienfeld nicht und der Drucker reagiert nicht.	(1) Das Netzkabel ist nicht angeschlossen. (2) Das Netzteil ist nicht angeschlossen.	(1) Schließen Sie das Netzkabel an. * Siehe Kap. 4-4. Anschluss des Netzteils und des Netzkabels (2) Schließen Sie das Netzteil an. * Siehe Kap. 4-4. Anschluss des Netzteils und des Netzkabels
Die ERROR-Anzeige auf dem Bedienfeld leuchtet und der Drucker funktioniert nicht.	(1) Das Papier ist nicht richtig eingelegt. (2) Die obere Abdeckung ist nicht vollständig geschlossen. (3) Der Thermodruckkopf ist überhitzt.	(1) Legen Sie das Papier richtig ein. * Siehe Kap. 5. Papier einlegen (2) Schließen Sie die obere Abdeckung vollständig. * Siehe Kap. 5. Papier einlegen (3) Warten Sie, bis sich der Thermodruckkopf abgekühlt hat.

8-2. Probleme mit dem Schneidwerk

Problem	Ursache	Lösung
Das Papier wird nicht abgeschnitten.	(1) Die Klinge ist beschädigt oder abgestumpft. (2) Papierfetzen oder andere Fremdkörper haften an der Klinge oder am Schlitten.	(1) Schalten Sie das Gerät aus und wenden Sie sich an den Reparaturservice. (2) Entfernen Sie die Papierfetzen bzw. Fremdkörper.
Die Klinge gelangt nicht zurück in ihre korrekte Position.	Papierfetzen oder andere Fremdkörper haften an der Klinge oder am Schlitten.	Entfernen Sie die Papierfetzen bzw. Fremdkörper.

8-3. Probleme beim Drucken

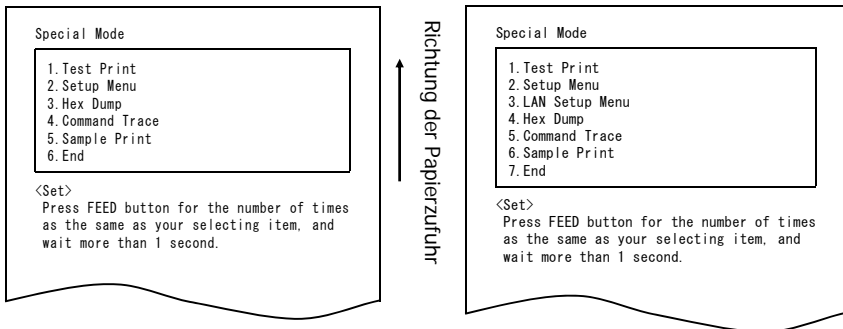
Problem	Ursache	Lösung
Der Drucker druckt nicht.	<p>(1) Das Schnittstellenkabel ist nicht angeschlossen oder defekt.</p> <p>(2) Der Drucker ist nicht korrekt eingerichtet.</p>	<p>(1) Schließen Sie das Schnittstellenkabel korrekt an oder ersetzen Sie es. * Siehe Kap. 4-1. Anschluss des Schnittstellenkabels</p> <p>(2) Korrigieren Sie die Einstellungen des Druckers. Beispiel: Ungleichheit der Baudrate * Siehe Kap. 9-2,9-4. Einrichtung ändern</p>
Das Druckergebnis ist zu dunkel oder verwischt	<p>(1) Die Druckdichte ist falsch eingestellt.</p> <p>(2) Der Thermodruckkopf ist beschädigt.</p>	<p>(1) Stellen Sie die für das Papier geeignete Druckdichte und/oder Druckgeschwindigkeit ein. * Siehe Kap. 9-2. Einrichtung ändern.</p> <p>(2) Schalten Sie das Gerät aus und wenden Sie sich an den Reparaturservice.</p>
Das Druckergebnis ist zu hell.	<p>(1) Die Druckdichte ist falsch eingestellt.</p> <p>(2) Der Thermodruckkopf ist beschädigt.</p>	<p>(1) Stellen Sie die für das Papier geeignete Druckdichte und/oder Druckgeschwindigkeit ein. * Siehe Kap. 9-2. Einrichtung ändern.</p> <p>(2) Schalten Sie das Gerät aus und wenden Sie sich an den Reparaturservice.</p>
Das Druckergebnis ist ungleichmäßig.	<p>(1) Papierfetzen oder andere Fremdkörper haften an den Heizelementen des Thermodruckkopfes.</p> <p>(2) Der Drucker ist nicht korrekt eingerichtet.</p> <p>(3) Fremdkörper haften an der Druckwalze.</p> <p>(4) Der Thermodruckkopf ist beschädigt.</p>	<p>(1) Überprüfen und reinigen Sie den Thermodruckkopf. * Siehe Kap. 10-3. Reinigung des Thermodruckkopfes</p> <p>(2) Stellen Sie die für das Papier geeignete Druckdichte und/oder Druckgeschwindigkeit ein. Korrigieren Sie die Einstellungen des Druckers. * Siehe Kap. 9-2. Einrichtung ändern.</p> <p>(3) Entfernen Sie die Fremdkörper von der Druckwalze. * Siehe Kap. 10-2. Reinigung der Druckwalze</p> <p>(4) Schalten Sie das Gerät aus und wenden Sie sich an den Reparaturservice.</p>
Der Ausdruck zeigt senkrechte Streifen.	<p>(1) Fremdkörper sind in den Papiertransport geraten bzw. haften dort.</p> <p>(2) Fremdkörper haften am Thermodruckkopf.</p> <p>(3) Der Thermodruckkopf ist beschädigt.</p>	<p>(1) Reinigen Sie den Papiertransport. * Siehe Kap. 10-1. Reinigung des Rollenhalters und der Papiertransportvorrichtung</p> <p>(2) Reinigen Sie den Thermodruckkopf. * Siehe Kap. 10-3. Reinigung des Thermodruckkopfes</p> <p>(3) Schalten Sie das Gerät aus und wenden Sie sich an den Reparaturservice.</p>

9. Spezialmodus (Probedruck, Einrichtungs Menü, ...)

9-1. Probedruck

Vergewissern Sie sich, dass Papier richtig in den Drucker eingelegt ist. Schalten Sie den Drucker am Netzschalter aus. Schalten Sie ihn dann wieder ein, während Sie den FEED-Knopf auf dem Bedienfeld gedrückt halten. Daraufhin wird der folgende Ausdruck produziert.

⚠ Vorsicht: Halten Sie den FEED-Knopf gedrückt, bis der Druckvorgang beginnt.



Drucker mit serieller und
USB Schnittstelle

Drucker mit serieller, USB
und LAN Schnittstelle

Einmaliges Gedrückthalten des FEED-Knopfes (zur Auswahl von 1. Test Print) löst einen Probedruck aus.

Der Drucker gibt ein voreingestelltes Druckergebnis aus und schneidet dann das Papier automatisch ab. Um den laufenden Probedruck abzubrechen, drücken Sie den FEED-Knopf. Der Drucker stoppt dann den Druckvorgang und schneidet das Papier ab.

Probedruck (Beispiel)

Je nach Modell kann hier eine andere Nummer und Version der Firmware stehen.
Die Seriennummer „123456“ ist ein Beispiel.

```

PT340-341 Ver1.0
123456

Memory Switch 1
Power On Status      Enable
Receive Buffer       4KByte
Busy Condition       Bufferfull
Receive Error        ?Print
Auto LF              Disable
DSR(#6)Reset        Disable
INIT(#25)Reset      Disable
USB Soft Reset       Enable

Memory Switch 2
Cover Open Error     Auto Recovery
Error                Auto Recovery
Batch (COM IF)       Enable
Batch (Other IF)     Disable
Serial Number        Disable
ASB                  Enable
Font-B               Model

Print
Paper Width          80mm/48columns
Max Speed            220mm/s
Print Density        100%

Hardware
Error Alert          None
Buzzer Interval      Pattern 2
Buzzer Repetition    Three
Graph/User NV-MEM    384KB/192KB
Cut at CoverClose    Disable
PNE Detect            Enable

Interface
Baudrate             115200BPS
Format                8NONE1
Protocol              DSR/DTR
USB                   Printer

! " # $ % & ' ( ) * + , - . / 0 1 2 3 4
5 6 7 8 9 : ; < = > ? @ A B C D E F G H I
J K L M N O P Q R S T U V W X Y Z [ \ ] ^
_ ~ a b c d e f g h i j k l m n o p q r s
    
```

Drucker mit serieller und USB Schnittstelle

```

PT340-341 Ver2.0
123456

Memory Switch 1
Power On Status      Enable
Receive Buffer       4KByte
Busy Condition       Bufferfull
Receive Error        ?Print
Auto LF              Disable
DSR(#6)Reset        Disable
USB Soft Reset       Enable

Memory Switch 2
Cover Open Error     Auto Recovery
Error                Auto Recovery
Batch (COM IF)       Enable
Batch (Other IF)     Disable
Serial Number        Disable
ASB                  Enable
Font-B               Model

Print
Paper Width          80mm/48columns
Max Speed            220mm/s
Print Density        100%

Hardware
Error Alert          None
Buzzer Interval      Pattern 2
Buzzer Repetition    Three
Graph/User NV-MEM    384KB/192KB
Cut at CoverClose    Disable
PNE Detect            Enable

Interface
Baudrate             115200BPS
Format                8NONE1
Protocol              DSR/DTR
USB                   Printer

LAN
Mac Address           [xx:xx:xx:xx:xx:xx]
root Password         "*****"
Printer Name          "PT340-341"
DHCP                  Enable
IP Address            192.168. 1. 1
Subnet Mask           255.255.255. 0
Default Gateway       0. 0. 0. 0

SNMP
Authentic Community   "*****"
Trap Community        "public"
Trap Address(IP)      "0. 0. 0. 0"
SysContact            ""
SysName               ""
SysLocation           ""
EnableAuthenTrap     Disable(2)

! " # $ % & ' ( ) * + , - . / 0 1 2 3 4
5 6 7 8 9 : ; < = > ? @ A B C D E F G H I
J K L M N O P Q R S T U V W X Y Z [ \ ] ^
_ ~ a b c d e f g h i j k l m n o p q r s
    
```

Drucker mit serieller, USB und LAN Schnittstelle

Richtung der Papierzufuhr

9-2. Einrichtung ändern

Dieser Abschnitt beschreibt die Einrichtung des Druckers ohne einen Computer. Die Einstellungen können auch über das Dienstprogramm auf der beiliegenden CD geändert werden, wenn der Drucker an einen Windows-PC angeschlossen ist. Hinweise zur Installation und Benutzung des Dienstprogramms finden Sie in der „Installation Guide“ (Installationsanleitung) und im „Utility User's Guide“ (Dienstprogrammhandbuch), die sich auf der CD im Ordner „Manuals“ befinden.

- Installationsanleitung : PT340-341_InstallGuide_en.pdf
- Dienstprogrammhandbuch : PT340-341_UtilityGuide_en.pdf

Sie können die „Installation Guide“ (Installationsanleitung) und das „Utility User's Guide“ (Dienstprogrammhandbuch) auch öffnen, indem Sie die CD in das CD/DVD-Laufwerk Ihres Computers einlegen und im Bildschirm „Setup“ die Option „Manuals“ auswählen.

Einstellungsbeispiel Höhere Druckdichte auswählen

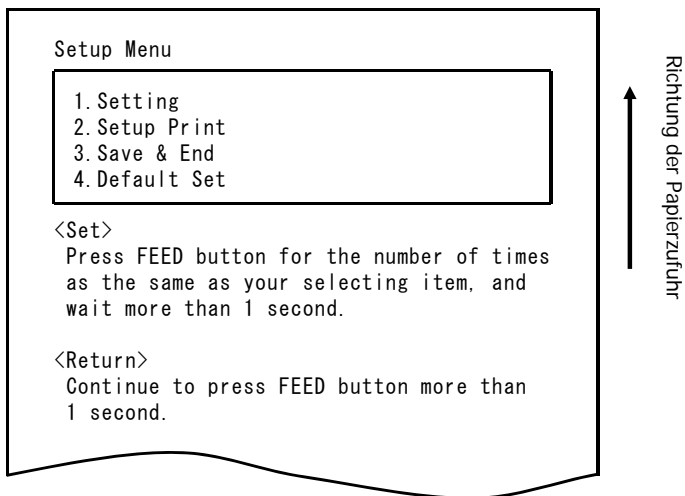
Druckdichte Geändert von 100 % auf 130 %

Die Einrichtung erfolgt folgendermaßen:

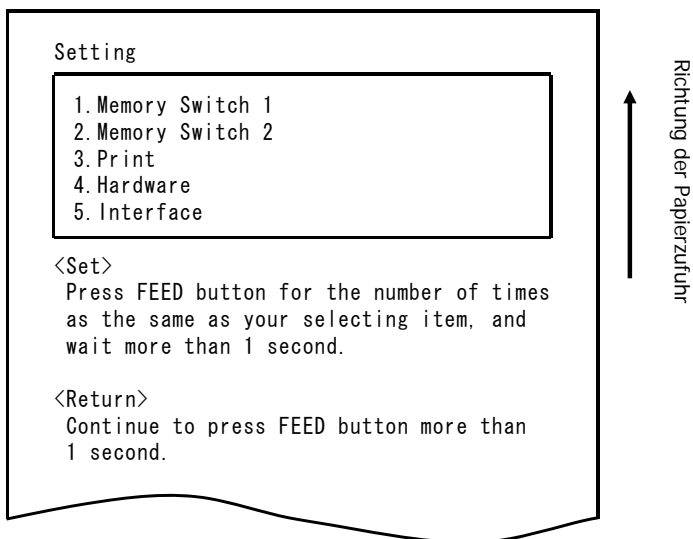
1. Überprüfen Sie vor der Einrichtung den Status des Druckers.
 - (1) Der Drucker ist ausgeschaltet.
 - (2) Die Papierrolle ist richtig eingelegt.
 - (3) Die Abdeckung ist geschlossen.

2. Vergewissern Sie sich, dass Papier richtig in den Drucker eingelegt ist. Schalten Sie den Drucker am Netzschalter aus. Schalten Sie ihn dann wieder ein, während Sie den FEED-Knopf auf dem Bedienfeld gedrückt halten. Daraufhin wird der in Abschnitt 9-1 gezeigte Ausdruck produziert.

Zweimaliges Drücken des FEED-Knopfes (zur Auswahl von 2. Setup Menu) startet den Einrichtungsmodus und druckt das unten stehende Menü.



- 3. Einmaliges Drücken** des FEED-Knopfes (zur Auswahl von 1. Setting) startet den Einstellungsmodus und druckt die unten stehenden Einstellungsgruppen.



4. **Dreimaliges Drücken** des FEED-Knopfes (zur Auswahl von 3. Print) wählt die Gruppe Print und drückt die unten stehenden Einstellungsoptionen.

Print

1. Paper Width	80mm/48columns
2. Max Speed	220mm/s
3. Print Density	100%

<Set>
Press FEED button for the number of times as the same as your selecting item, and wait more than 1 second.

<Return>
Continue to press FEED button more than 1 second.

<Setup Menu>
Continue to press FEED button more than 3 seconds.

Richtung der Papierzufuhr

5. **Dreimaliges Drücken** des FEED-Knopfes (zur Auswahl von 3. Print Density) löst den Druck der unten stehenden Druckdichte-Optionen aus.

Print Density 100%

- 1. 70%
- 2. 80%
- 3. 90%
- 4. 100%
- 5. 110%
- 6. 120%
- 7. 130%

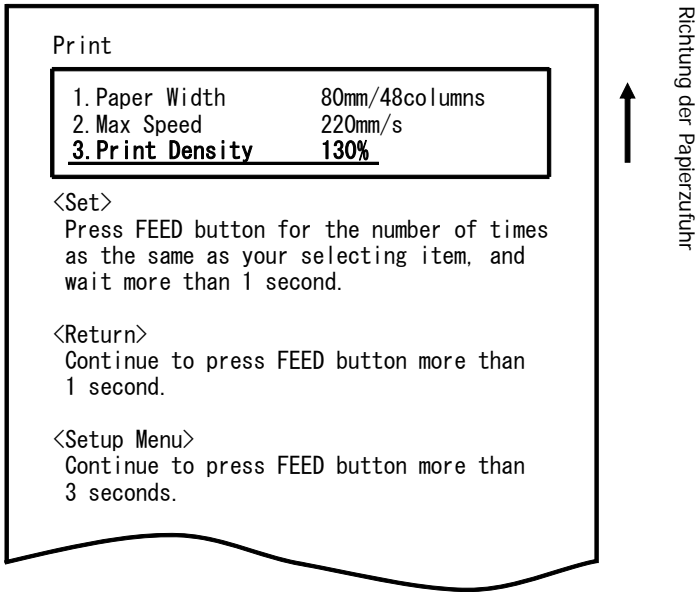
<Set>
Press FEED button for the number of times as the same as your selecting item, and wait more than 1 second.

<Return>
Continue to press FEED button more than 1 second.

<Setup Menu>
Continue to press FEED button more than 3 seconds.

↑
Richtung der Papierzufuhr

6. **Siebenmaliges Drücken** des FEED-Knopfes (zur Auswahl von 7. 130 %) öffnet wieder die Einstellungsgruppe Print. Änderungen sind fett ausgezeichnet und unterstrichen.



Verlassen des Menüs zur vorangehenden Menüebene (<Return>)
siehe Kap. 7-1

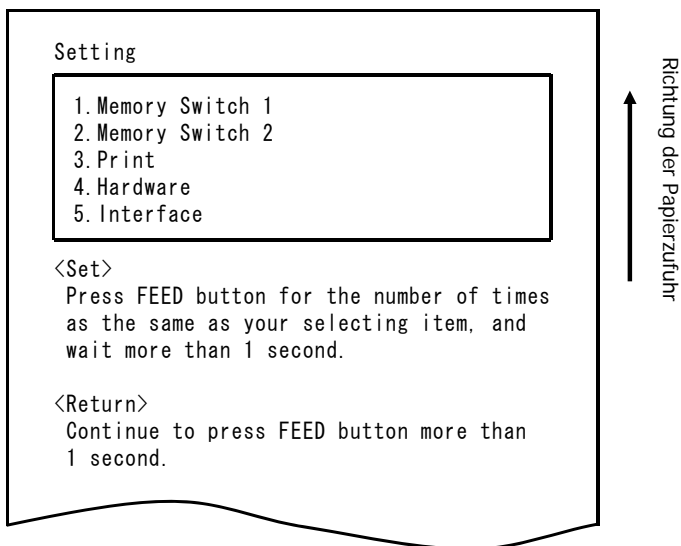
Verlassen des Menüs direkt zum Einrichtungsmenü (<Setup Menu>)
siehe Kap. 7-2

7-1. Rückkehr zur vorangehenden Menüebene

Halten Sie den FEED-Knopf **mindestens 1 Sekunde lang** gedrückt, bis Sie einen doppelten Signalton hören.

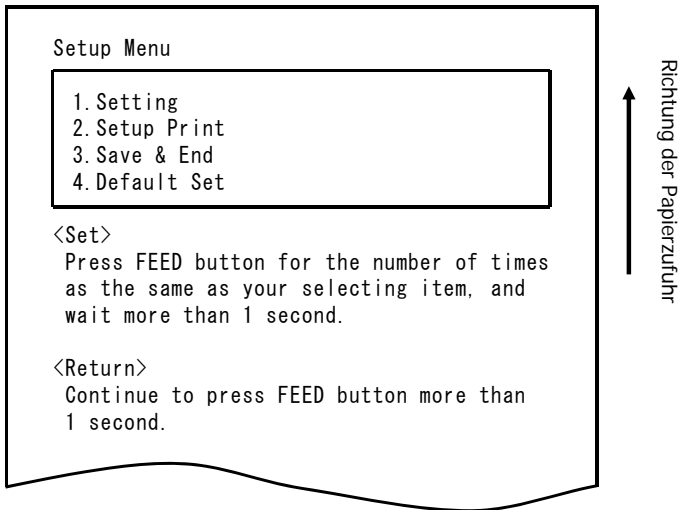
Lassen Sie den Knopf nach dem Signalton los.

Auf diese Weise gelangen Sie zurück zur vorangegangenen Menüebene und die Optionen der betreffenden Einstellungsgruppe werden gedruckt.



Halten Sie den FEED-Knopf noch einmal **mindestens 1 Sekunde lang** gedrückt, bis Sie einen doppelten Signalton hören. Lassen Sie den Knopf nach dem Signalton los.

Auf diese Weise gelangen Sie zurück zur vorangehenden Menüebene und das Einrichtungsmenü wird gedruckt.



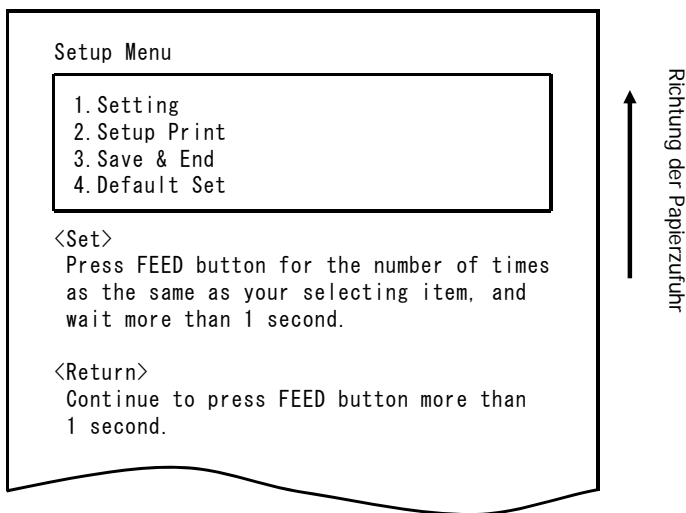
Fahren Sie fort mit Schritt 8.

7-2. Direkte Rückkehr zum Einrichtungs Menü

Halten Sie den FEED-Knopf **mindestens 3 Sekunden lang** gedrückt, bis Sie einen dreifachen Signalton hören.

Das lange Gedrückthalten des FEED-Knopfes löst bereits nach 1 Sekunde den doppelten Signalton aus. Ignorieren Sie dies und drücken Sie den FEED-Knopf weiter.

Nach ungefähr 3 Sekunden hören Sie den dreifachen Signalton und das unten stehende Menü wird gedruckt.



Fahren Sie fort mit Schritt 8.

8. Dreimaliges Drücken des FEED-Knopfes (zur Auswahl von 3. Save & End) speichert die Einstellungen, schneidet das Papier und beendet den Einrichtungsmodus.

⚠ Vorsicht: Wenn der Drucker ausgeschaltet wird, ohne vorher „Save & End“ anzuwählen, gehen alle Einstellungsänderungen verloren.

● **Überprüfen der Einstellungen**

Machen Sie einen Probedruck gemäß den Anweisungen in Abschnitt 9-1, um zu prüfen, ob die Einstellungen übernommen wurden.

Der Probedruck enthält eine Liste der Druckereinstellungen, die Sie über Ihre Änderungen informiert.

9-3. Einrichtungseinstellungen

Einstellungsgruppen

Einstellungsgruppe		Beschreibung
1	Memory Switch 1	Einstellungen von Speicherschalter 1
2	Memory Switch 2	Einstellungen von Speicherschalter 2
3	Print	Druckereinstellungen
4	Hardware	Hardwareeinstellungen
5	Interface	Einstellungen der seriellen und der USB-Schnittstelle (Diese Gruppe wird bei Druckern mit LAN-Schnittstelle nicht angezeigt.)

Einstellungsgruppen und Detailsinstellungen

(Hinweis) Die Einrichtungseinstellungen und Standardwerte hängen vom Druckermodell und/oder der Region ab.

(1) Memory Switch 1 Group (Einstellungsgruppe Speicherschalter 1)

Element		Beschreibung	Einstellungsoption	
1	Power On Status	Legt fest, ob der Betriebszustand (Gerät eingeschaltet) gemeldet wird.	1 2	Enable (aktivieren) Disable (deaktivieren)
2	Receive Buffer	Legt die Größe des Empfangspuffers fest.	1 2	45bytes 4Kbytes
3	Busy Condition	Meldet den Drucker als BUSY (Datenempfang nicht möglich).	1 2	Buffer full (Puffer voll) Offline/Buffer full (Offline/Puffer voll)
4	Receive Error	Legt fest, was geschehen soll, wenn während der Benutzung der seriellen Schnittstelle ein Empfangsfehler auftritt.	1 2	?Print (?Drucken) Ignore (Ignorieren)
5	Auto LF	Legt fest, ob der CR-Code einen automatischen Zeilenvorschub auslöst.	1 2	Enable (aktivieren) Disable (deaktivieren)
6	DSR(#6) Reset	Legt fest, ob der Empfang eines DSR-Signals (6) über die serielle Schnittstelle einen Hardware-Reset auslöst.	1 2	Enable (aktivieren) Disable (deaktivieren)
7	INIT(#25) Reset *1	Legt fest, ob der Empfang eines INIT-Signals (25) über die serielle Schnittstelle einen Hardware-Reset auslöst.	1 2	Enable (aktivieren) Disable (deaktivieren)

Element		Beschreibung	Einstellungsoption	
8	USB Soft Reset	Legt fest, ob in der USB-Druckerklasse ein USB-Soft-Reset einen Hardware-Reset auslöst.	1 2	Enable (aktivieren) Disable (deaktivieren)

*1 „ INIT(#25) Reset “
Nur serieller und USB Schnittstelle

(2) Memory Switch 2 Group (Einstellungsgruppe Speicherschalter 2)

Element		Beschreibung	Einstellungsoption	
1	Cover Open Error	Fehlerbehebung für Abdeckung offen während des Drucks	1 2	Auto Recovery (Automatische Behebung) Recovery by CMND (Wiederherstellung durch Befehl)
2	Error	Legt fest, was beim Einschalten oder nach der Wiederherstellung nach einem Fehler geschieht. „Auto Recovery“: Automatische Wiederherstellung durchführen, um den Datenempfang zu aktivieren. „Recovery by CMND“: Alle empfangenen Daten verwerfen, bis ein Reset-Befehl empfangen wird.	1 2	Auto Recovery (Automatische Behebung) Recovery by CMND (Wiederherstellung durch Befehl)
3	Batch (COM IF)	Legt fest, ob für die serielle Schnittstelle die Batchverarbeitung zum Drucken verwendet werden soll	1 2	Enable (aktivieren) Disable (deaktivieren)
4	Batch (Other IF)	Legt fest, ob für die USB- oder LAN-Schnittstelle die Batchverarbeitung zum Drucken verwendet werden soll	1 2	Enable (aktivieren) Disable (deaktivieren)
5	Serial Number	Legt fest, was als iSerial-Nummer über USB gemeldet wird. „Disable“ : Gibt „0“ als (deaktivieren) iSerial-Nummer aus „Enable“ : Gibt die werksseitige Seriennummer als (aktivieren) iSerial-Nummer aus	1 2	Enable (aktivieren) Disable (deaktivieren)
6	ASB	Legt fest, ob die Funktion zur automatischen Statusübertragung aktiviert wird (ASB: Automatic Status Back)	1 2	Enable (aktivieren) Disable (deaktivieren)
7	Font-B	Legt die Zahl der Spalten für Schriftart B fest (horizontal x vertikal) „Mode1“ 10x24 „Mode2“ 9x24	1 2	Mode1 Mode2

(3) Print Group (Einstellungsgruppe Drucken)

Element		Beschreibung	Einstellungsoption	
1	Paper Width	Papierbreite und Anzahl der Zeichen pro Zeile.	1 2 3 4	80mm/48columns (80 mm/48 Spalten) 80mm/42columns (80 mm/42 Spalten) 58mm/35columns (58 mm/35 Spalten) 58mm/32columns (58 mm/32 Spalten)
2	Max Speed	Druckhöchstgeschwindigkeit Die Höchstgeschwindigkeit zum Drucken von Strichcodes und zweidimensionalen Codes beträgt 120 mm/s.	1 2 3 4 5 6 7 8 9 10 11 12 13 14 15 16	100 mm/s 110 mm/s 120 mm/s 130 mm/s 140 mm/s 150 mm/s 160 mm/s 170 mm/s 180 mm/s 190 mm/s 200 mm/s 210 mm/s 220 mm/s 250 mm/s 270 mm/s 300 mm/s
3	Print Density	Druckdichte Je kleiner der Wert, desto niedriger die Druckdichte. Je größer der Wert, desto höher die Druckdichte.	1 2 3 4 5 6 7	70 % 80 % 90 % 100 % 110 % 120 % 130 %

(4) Hardware Group (Einstellungsgruppe Hardware)

Element		Beschreibung	Einstelloption	
1	Error Alert *1	Legt fest, ob bei einem Fehler ein Signalton ausgegeben wird. „None“: Kein Signalton. „One Time“: Signalton ertönt viermal. „Continuous“: Dauerhafter Signalton.	1 2 3	None One Time Continuous
2	Buzzer Interval *2	Der Signalton, der während des Druckens verwendet wird. In folgenden Fällen wird der Signalton während des Druckens ausgegeben: <ul style="list-style-type: none"> Abdeckung ist offen und FEED-Knopf wird gedrückt. Signalton-Befehl erhalten (ESC p 03h t1 t2 t3). 	1 2 3 4 5	Pattern 1 (Muster 1) Pattern 2 (Muster 2) Pattern 3 (Muster 3) Pattern 4 (Muster 4) Pattern 5 (Muster 5)
3	Buzzer Repetition *2	Die Anzahl der Wiederholungen des Signaltons während des Druckens Zero (null) bedeutet, dass kein Signalton erzeugt wird. In folgenden Fällen wird der Signalton während des Druckens ausgegeben: <ul style="list-style-type: none"> Abdeckung ist offen und FEED-Knopf wird gedrückt. Signalton-Befehl erhalten (ESC p 03h t1 t2 t3). 	1 2 3 4 5 6	Zero (null) One (eins) Two (zwei) Three (drei) Four (vier) Five (fünf)
4	Graph/User NV-MEM	NV-Grafikspeichergröße und Benutzer-NV-Speichergröße Gibt die Größe des Speicherbereichs für Grafiken und NV-Bit-Bilder sowie den Speicherplatz für Benutzerdaten an.	1 2 3 4	384 KB/192 KB 448 KB/128 KB 512 KB/64 KB 576 KB/0 B
5	Cut at Cover Close	Legt fest, ob das Schneidwerk aktiviert wird, wenn die Abdeckung geschlossen wird.	1 2	Enable (aktivieren) Disable (deaktivieren)
6	PNE Detect	Legt fest, ob eine Benachrichtigung ausgegeben werden soll, wenn das Papier fast aufgebraucht ist.	1 2	Enable (aktivieren) Disable (deaktivieren)

*1 „Error Alert“

Der „Continuous“ Signalton verhält sich wie folgt:

(Hinweis) Drücken Sie den FEED-Knopf, um den dauerhaften Signalton auszuschalten.

- Behebbarer Fehler (außer Papier fast alle)
Dauerhafter Signalton von 500 ms EIN/200 ms AUS
- Hardwarefehler
Dauerhafter Signalton von 1000 ms EIN/500 ms AUS

*2 „Buzzer Interval“

Es gibt folgende Signalmuster:

- Pattern 1 40 ms EIN/120 ms AUS
- Pattern 2 140 ms EIN/140 ms AUS
- Pattern 3 200 ms EIN/200 ms AUS
- Pattern 4 10 ms EIN/50 ms AUS
- Pattern 5 30 ms EIN/50 ms AUS

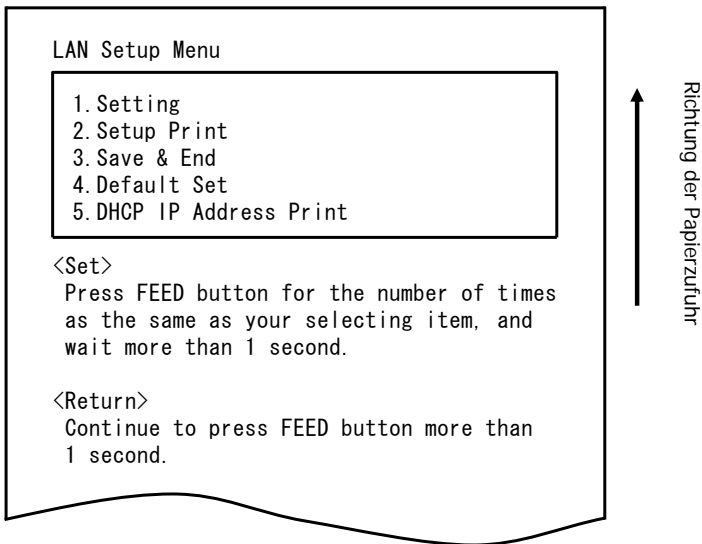
(5) Interface Group (Einstellungsgruppe Schnittstelle)

Element		Beschreibung	Einstellungsoption	
1	Baud rate	Baudrate für die serielle Schnittstelle	1 2 3 4 5 6 7	2400BPS 4800BPS 9600BPS 19200BPS 38400BPS 57600BPS 115200BPS
2	Format	Datenformat für die serielle Schnittstelle	1 2 3 4 5	7EVEN1 (7 Datenbits, gerade Parität, 1 Stoppbit) 7ODD1 (7 Datenbits, ungerade Parität, 1 Stoppbit) 8NONE1 (8 Datenbits, keine Parität, 1 Stoppbit) 8EVEN1 (8 Datenbits, gerade Parität, 1 Stoppbit) 8ODD1 (8 Datenbits, ungerade Parität, 1 Stoppbit)
3	Protocol	Puffersteuerungsprotokoll für die serielle Schnittstelle	1 2	DSR/DTR XON/XOFF
4	USB	Klasse für USB-Schnittstelle	1 2	Printer (Drucker) V-COM

9-4. LAN-Einrichtungseinstellungen(Drucker mit serieller, USB und LAN Schnittstelle)

Vergewissern Sie sich, dass Papier richtig in den Drucker eingelegt ist. Schalten Sie den Drucker am Netzschalter aus. Schalten Sie ihn dann wieder ein, während Sie den FEED-Knopf auf dem Bedienfeld gedrückt halten. Daraufhin wird der in Abschnitt 9-1 gezeigte Ausdruck produziert.

Durch **dreimaliges Drücken** des FEED-Knopfes (zur Auswahl von 3. LAN-Einrichtungsmenü) geht der Drucker in den Einrichtungsmodus über und druckt das folgende Menü.



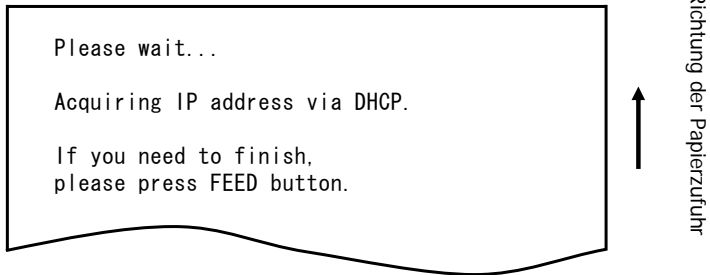
Die Einstellungen haben dieselbe Vorgangsmethode wie in Abschnitt 9-2 beschrieben.

Einstellungselement

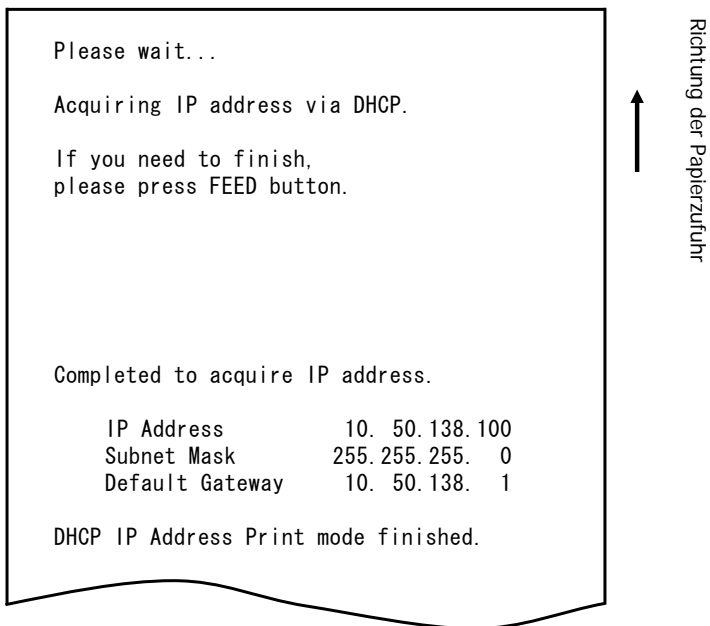
Element		Beschreibung	Einstellungsoption	
1	LAN	<p>Legt die Schnittstelle fest</p> <p>„Enable“ (aktivieren): Die Ausführung erfolgt über die LAN-Schnittstelle.</p> <p>„Disable“ (deaktivieren): Die Ausführung erfolgt entweder über die USB-Schnittstelle oder über die serielle Schnittstelle. Wenn die USB-Schnittstelle und die serielle Schnittstelle angeschlossen sind, erhält USB Vorrang.</p>	1 2	<p>Enable (aktivieren)</p> <p>Disable (deaktivieren)</p>

DHCP IP Address Print

- 1) Wählen Sie „DHCP IP Address Print“, um den unten abgebildeten IP-Adressen-Druckmodus zu erreichen. Warten Sie einige zig Sekunden.



- 2) Wenn Sie die IP Address, Subnet Mask und den Default Gateway erfolgreich erfasst haben, werden die erfassten Werte ausgedruckt und der Druckmodus wird verlassen.



- 3) Wenn Sie die Taste FEED drücken, während die Werte erfasst werden, wird der Druckmodus mit der folgenden ausgedruckten Meldung sofort geschlossen:

“ DHCP IP Address Print mode finished. ”

9-5. HEX-Dump

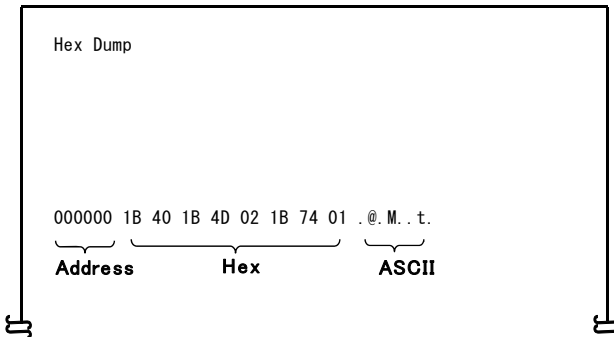
Vergewissern Sie sich, dass Papier richtig in den Drucker eingelegt ist. Schalten Sie den Drucker am Netzschalter aus. Schalten Sie ihn dann wieder ein, während Sie den FEED-Knopf auf dem Bedienfeld gedrückt halten. Daraufhin wird der in Abschnitt 9-1 gezeigte Ausdruck produziert.

Durch **dreimaliges Drücken** (Drucker mit serieller und USB Schnittstell: zur Auswahl von 3. Hex Dump) nur **viermaliges Drücken** (Drucker mit serieller, USB und LAN Schnittstell: zur Auswahl von 4. Hex Dump) des FEED-Knopfes geht der Drucker in den HEX-Dump-Modus über.

In diesem Modus werden alle an den Drucker gesendeten Daten im hexadezimalen Code ausgedruckt. Auf diese Weise können Sie einfach überprüfen, ob die Steuercodes, die vom PC-Programm an den Drucker gesendet werden, korrekt sind.

Um diesen Modus wieder zu verlassen, schalten Sie das Gerät aus und wieder ein.

HEX-Dump-Ausdruck (Beispiel)



9-6. Befehlsprotokoll

Vergewissern Sie sich, dass Papier richtig in den Drucker eingelegt ist. Schalten Sie den Drucker am Netzschalter aus. Schalten Sie ihn dann wieder ein, während Sie den FEED-Knopf auf dem Bedienfeld gedrückt halten. Daraufhin wird der in Abschnitt 9-1 gezeigte Ausdruck produziert.

Durch **viermaliges Drücken** (Drucker mit serieller und USB Schnittstell: zur Auswahl von 4. Command Trace) nur **fünfmaliges Drücken** (Drucker mit serieller, USB und LAN Schnittstell: zur Auswahl von 5. Command Trace) des FEED-Knopfes wechselt der Drucker in den Modus Befehlsprotokoll.

In diesem Modus werden alle an den Drucker gesendeten Daten im ASCII-Format (mit ESC-/POS-Befehlserklärungen) gedruckt. Auf diese Weise können Sie die vom PC-Programm an den Drucker gesendeten ESC-/POS-Befehle analysieren. Um diesen Modus wieder zu verlassen, schalten Sie das Gerät aus und wieder ein.

Befehlsprotokoll-Ausdruck (Beispiel)

```
Command Trace

<1B40>:Initialize printer (ESC @)>
<1B4D02>:Set ANK font C (ESC M n)>
<1B7480>:Set character code table (ESC t n)>
<1D4200>:Disable reverse printing (GS B n)>
<1B6102>:Set justification RIGHT (ESC a n)>
<1C2E>:Reset kanji mode (FS ..)>
ABC
<0A>:Print and line feed (LF)>
```

- a. Nicht definierte Befehle oder Befehle mit ungültigen Befehlsparametern werden als Fehler behandelt und optisch hervorgehoben (Hintergrund- und Schriftfarbe vertauscht).
- b. Bedeutungslose und unnötige Befehle werden zur Warnung durch Unterstreichung hervorgehoben.
- c. Befehlscodes werden fett gedruckt.

9-7. Musterausdruck

Vergewissern Sie sich, dass Papier richtig in den Drucker eingelegt ist. Schalten Sie den Drucker am Netzschalter aus. Schalten Sie ihn dann wieder ein, während Sie den FEED-Knopf auf dem Bedienfeld gedrückt halten. Daraufhin wird der in Abschnitt 9-1 gezeigte Ausdruck produziert.

Durch **fünfmaliges Drücken** (Drucker mit serieller und USB Schnittstell: zur Auswahl von 5. Sample Print) nur **sechsmaliges Drücken** (Drucker mit serieller, USB und LAN Schnittstell: zur Auswahl von 6. Sample Print) des FEED-Knopfes wechselt der Drucker in den Modus Musterausdruck.

In diesem Modus wird eine Erklärung der FEED-Knopfbedienung ausgedruckt und das Papier abgeschnitten. Anschließend werden verschiedene Musterbeispiele ausgedruckt. (Die Erklärung der Bedienung des FEED-Knopfes wird nur beim ersten Mal ausgedruckt.)

- „ FEED-Knopf drücken.
Kurz : Nächstes Muster
Lang : Gleiches Muster“

Durch kurzes Drücken des FEED-Knopfs (weniger als eine Sekunde) nach dem Drucken werden folgende Musterbeispiele einzeln nacheinander ausgedruckt.

- * Der Reihe nach: „Kassenbon“ → „Gutschein“ → „Barcode“ → „Kassenbon“ (Nach jedem Ausdruck hält der Drucker an. Drücken Sie den FEED-Knopf, um das nächste Muster auszudrucken.)

Durch langes Drücken des FEED-Knopfs (eine Sekunde oder länger) wird das vorhergehende Muster noch einmal gedruckt.

Um diesen Modus wieder zu verlassen, schalten Sie das Gerät aus und wieder ein.

Im Modus Musterausdruck wird das Papier nach jedem Muster abgeschnitten.

Je nach Einstellung der Papierbreite unter Einrichtung kann im Modus Musterausdruck 80 mm breites oder 58 mm breites Papier verwendet werden.

Tritt ein behebbarer Fehler auf, so wird der Musterausdruck nach der Behebung fortgesetzt.

Nachfolgend finden Sie Beispielausdrucke.

<Ergebnis Musterausdruck, 80-mm-Muster>

„Kassenbon“-Muster


OKI

OKI Supermarket
Tel : 987-654-321

Banana	22.50	1	\$2.50
Beer 350ml	22.40	6	\$14.40
Cake	22.50	3	\$7.50
Slipper	23.80	5	\$19.00
Fairy lamp	2.50	2	\$1.00
Candy	2.11	10	\$1.10
Strawberry	22.45	4	\$9.80
Pie	235.00	1	\$35.00
Pizza	20.00	1	\$20.00
Socks	23.30	6	\$19.80
Aspirin	212.80	1	\$12.80
Wine	299.80	1	\$99.80
Sub total			\$242.70
Tax(5%)			\$12.10
Total			\$254.80

Receipt No. : 9202
Cashier : XXXX

XX-XX-20XX



a 0 1 2 3 4 5 6 7 8 9 0 1 2 3 4 5 6 7 8 9 a

„Gutschein“-Muster

OKI

Coupon 20\$ OFF !!

Save 20 dollars on Grape Search of OKI company.

Issue date : XX, XX, 20XX

OKI will give a REAL LIFE to YOU





a 0 1 2 3 4 5 6 7 8 9 0 1 2 3 4 5 6 7 8 9 a


NO. 1234567890


„Barcode“-Muster


**** BarCode ****


LPC-A

4 9 3 3 5 2 4 1 0 0 6 7


LPC-E
9 3 3 5 2 1



LAN8 (JAN8)
4 9 3 3 5 2 4 8

4 9 3 3 5 2 4 8


EAN13 (JAN13)


Codabar (NW-7)

a 1 2 3 4 5 a


ITF
1 2 3 4 5 6 7 8 9 0



Code39
* A B 1 2 3 4 5 *

* A B 1 2 3 4 5 *


Code93


Code128
1 2 3 4 5 6 7 8 9 0

1 2 3 4 5 6 7 8 9 0

**** Two-dimensional Code ****

QRcode


PDF417


DataMatrix


<Ergebnis Musterausdruck, 58-mm-Muster>

„Kassenbon“-Muster

„Barcode“-Muster

OKI

OKI Supermarkt
Tel : 987-654-321


Banana	02.50	1	\$2.50
Beer 350ml	02.40	6	\$14.40
Cake	02.50	3	\$7.50
Slipper	03.80	5	\$19.00
Fairy lamp	0.50	2	\$1.00
Candy	0.11	10	\$1.10
Strawberry	02.45	4	\$9.80
Pie	035.00	1	\$35.00
Pizza	020.00	1	\$20.00
Socks	03.30	6	\$19.80
Aspirin	012.80	1	\$12.80
Wine	099.80	1	\$99.80

Sub total \$242.70
Tax (5%) \$12.10

Total \$254.80


Receipt No. : 9202
Cashier : XXXX


XX-XX-20XX





a 0 1 2 3 4 5 6 7 8 9 a


***** Barcode *****


UPC-A

4 9 3 3 6 2 4 1 0 0 7


UPC-E

9 3 3 6 2 1


LAN8(CJANB)

4 9 3 3 6 2 4 8
4 9 3 3 6 2 4 8


EAN13(CJAN13)


Codabar (NH-7)

a 1 2 3 4 5 a


ITF

1 2 3 4 5 6 7 8 9 0


Code39

* A B 1 2 3 4 5 *
* A B 1 2 3 4 5 *


Code93


Code128

1 2 3 4 5 6 7 8 9 0
1 2 3 4 5 6 7 8 9 0

***** Two-dimensional Code *****

QRcode


PDF417


DataMatrix


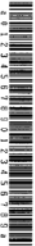
OKI

Coupon 20\$ OFF!!

Save 20 dollars on same amount of OKI cameras.

[OKI] will give a REAL LIFE to you!

Issue date : XX.XX.20XX



NO. 1234567890

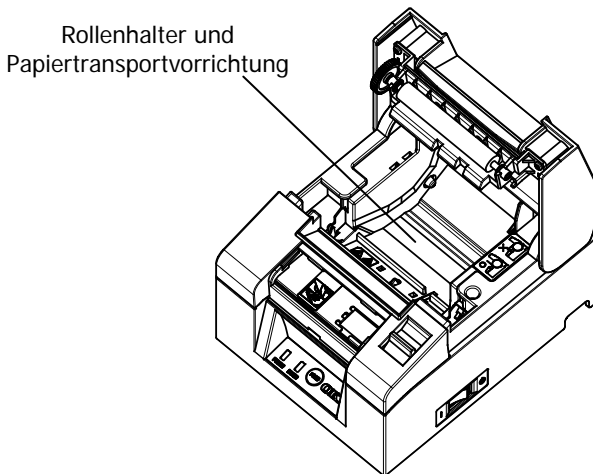
„Gutschein“-Muster

10. Regelmäßige Reinigung

Die Druckqualität kann durch Papierreste, Staub oder andere Fremdstoffe beeinträchtigt werden. Um dieses Problem zu vermeiden, entfernen Sie gemäß nachstehender Beschreibung jegliche Papierreste oder Staub vom Rollenhalter, der Papiertransportvorrichtung, der Druckwalze und dem Thermodruckkopf. Reinigen Sie das Gerät alle sechs Monate.

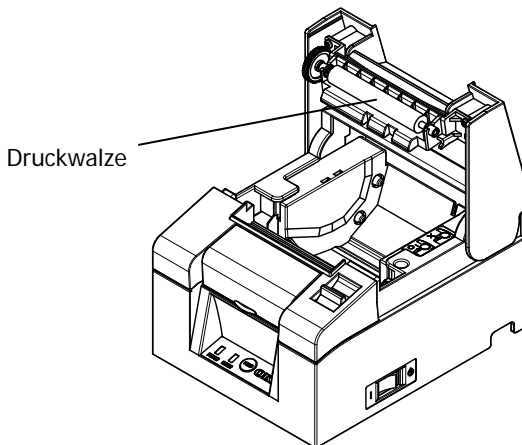
10-1. Reinigung des Rollenhalters und der Papiertransportvorrichtung

- (1) Schalten Sie das Gerät aus.
- (2) Öffnen Sie die obere Abdeckung.
- (3) Wischen Sie mit einem weichen, trockenen Tuch Staub, Papier- und Klebstoffreste sowie sonstige Fremdstoffe vom Rollenhalter und der Papiertransportvorrichtung ab.



10-2. Reinigung der Druckwalze

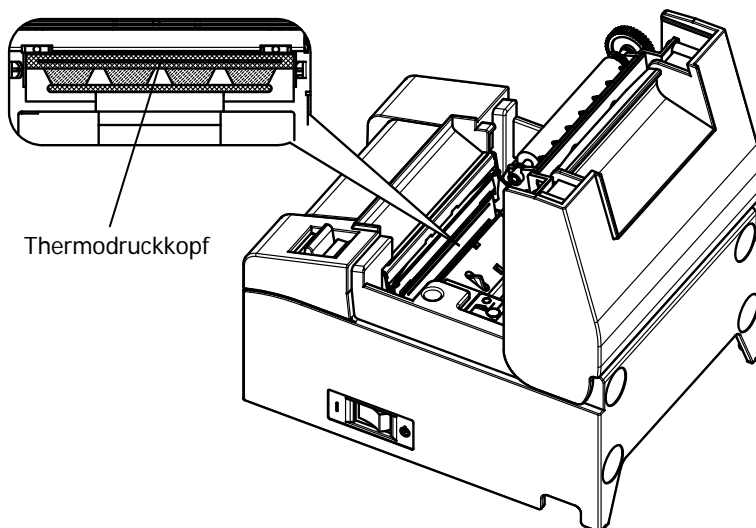
- (1) Schalten Sie das Gerät aus.
- (2) Öffnen Sie die obere Abdeckung.
- (3) Wischen Sie mit einem weichen, trockenen Tuch Staub, Papier- und Klebstoffreste sowie sonstige Fremdstoffe von der Druckwalze ab.



⚠ Vorsicht: Achten Sie darauf, die Druckwalze nicht zu beschädigen oder zu verformen.
Dellen auf der Druckwalze führen zu Lücken beim Drucken und/oder Störungen beim Papiervorschub.

10-3. Reinigung des Thermodruckkopfes

- (1) Schalten Sie das Gerät aus.
- (2) Öffnen Sie die obere Abdeckung.
- (3) Entfernen Sie mit einem Lösungsmittel auf Alkoholbasis alle schwarzen Papierpartikel und anderen Materialreste von der Oberfläche des Thermodruckkopfs.



- ⚠ **Vorsicht:** Der Thermodruckkopf ist empfindlich und kann schnell beschädigt werden. Reinigen Sie ihn vorsichtig mit einem weichen Tuch, um Beschädigungen zu vermeiden.
- ⚠ **Vorsicht:** Der Thermodruckkopf ist nach dem Drucken heiß. Lassen Sie ihn etwa zehn Minuten abkühlen, bevor Sie mit der Reinigung beginnen.
- ⚠ **Vorsicht:** Elektrostatische Aufladung kann den Thermodruckkopf beschädigen. Setzen Sie ihn daher möglichst keiner elektrostatischen Aufladung aus.
- ⚠ **Vorsicht:** Bevor Sie den Drucker einschalten, warten Sie bitte, bis der Alkohol des Lösungsmittels vollständig getrocknet ist.
- ⚠ **Vorsicht:** Verwenden Sie nur Lösungsmittel auf Alkohol- oder Isopropylalkoholbasis.

11. Schnittstelle

11-1 Serielle Schnittstelle

(1) Angaben zur Übertragungsschnittstelle

Übertragungsmethode	Asynchron											
Betriebsart	Vollduplex											
Eingangs-/Ausgangsschaltkreis	Eingang: MAX211 oder gleichwertig Ausgang: MAX211 oder gleichwertig											
Baudrate	2400, 4800, 9600, 19200, 38400, 57600, 115200 bps (Einrichtungseinstellungen)											
Übertragungscode-Typ	7 oder 8 Bit											
Übertragungscode-Format	Startbits: 1 Bit Stopbits: 1 Bit Datenbits: 7 oder 8 Bit (Einrichtungseinstellungen) Parität: Keine, ungerade, gerade (Einrichtungseinstellungen) Mark (1) <table border="1" style="display: inline-table; vertical-align: middle;"><tr><td>ST</td><td>b0</td><td>b1</td><td>b2</td><td>b3</td><td>b4</td><td>b5</td><td>b6</td><td>b7</td><td>PT</td><td>SP</td></tr></table> Space (0)	ST	b0	b1	b2	b3	b4	b5	b6	b7	PT	SP
ST	b0	b1	b2	b3	b4	b5	b6	b7	PT	SP		
Übertragungssequenz	LSB zu MSB											
Übertragungscode	JIS-Code											
Fehlerkontrolle	Paritätskontrolle (Einrichtungseinstellungen)											
Länge Verbindungskabel	Max. 15 m: (bei Stromversorgung über Netzbuchse) Max. 2 m: (bei Stromversorgung über Schnittstelle)											
Protokoll	DSR/DTR, XON/XOFF (Einrichtungseinstellungen)											

(2) Serielle Schnittstelle (Drucker mit serieller und USB Schnittstelle)

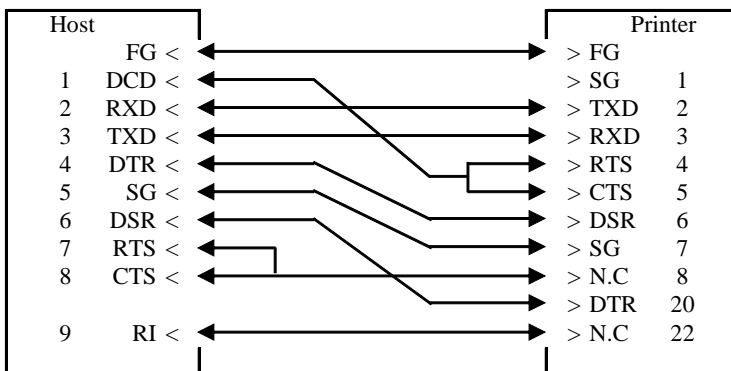
Pin-Nr.	Signalbezeichnung	Richtung	Signalleitungsbezeichnung
1	SG	-	Signal Ground (Signalmasse)
2	TXD	Ausgang	Transmit Data (vom Drucker übertragene Daten)
3	RXD	Eingang	Receive Data (vom Drucker empfangene Daten)
4	RTS	Ausgang	Request to Send (Sendeanforderung)
5	CTS	Eingang	Clear to Send (Sendeerlaubnis)
6	DSR	Eingang	Data Set Ready (Einsatzbereitschaft der Gegenstelle)
7	SG	-	Signal Ground (Signalmasse)
8~19	N.C	-	No Connection (Keine Verbindung)
20	DTR	Ausgang	Data Terminal Ready (Terminal bereit)
21~24	N.C	-	No Connection (Keine Verbindung)
25	INIT	Eingang	Reset-Signal

⚠ Vorsicht: Verwenden Sie am Steckverbinder eine Sicherungsschraube mit Zollgewinde.

⚠ Vorsicht: Bitte verwenden Sie als Schnittstellenkabel ein 9-25 poliges Cross Kabel RS232C.

(3) Verbindungskabel (Drucker mit serieller und USB Schnittstelle)

Wir empfehlen, die Verbindung wie folgt einzurichten:



⚠ Vorsicht: Eine Stromversorgung über die Schnittstelle ist nicht zulässig.

(4) Serielle Schnittstelle (Drucker mit serieller, USB und LAN Schnittstelle)

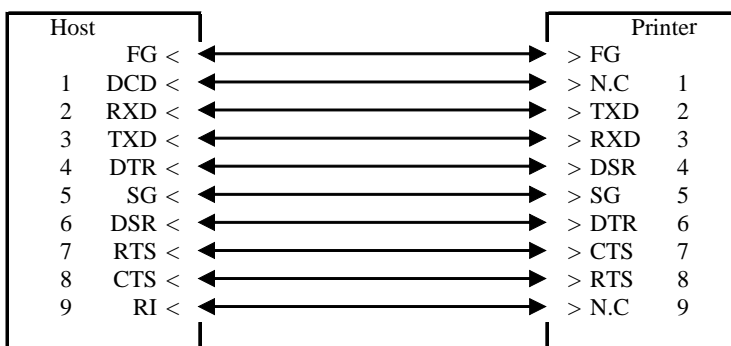
Pin-Nr.	Signal-bezeichnung	Richtung	Signalleitungsbezeichnung
1	N.C	-	No Connection (Keine Verbindung)
2	TXD	Ausgang	Transmit Data (vom Drucker übertragene Daten)
3	RXD	Eingang	Receive Data (vom Drucker empfangene Daten)
4	DSR	Eingang	Data Set Ready (Einsatzbereitschaft der Gegenstelle)
5	SG	-	Signal Ground (Signalmasse)
6	DTR	Ausgang	Data Terminal Ready (Terminal bereit)
7	CTS	Eingang	Clear to Send (Sendeerlaubnis)
8	RTS	Ausgang	Request to Send (Sendeaufforderung)
9	N.C	-	No Connection (Keine Verbindung)

⚠ Vorsicht: Verwenden Sie am Steckverbinder eine Sicherungsschraube mit Zollgewinde.

⚠ Vorsicht: Bitte verwenden Sie als Schnittstellenkabel ein 9-poliges gerades Kabel RS232C.

(5) Verbindungskabel (Drucker mit serieller, USB und LAN Schnittstelle)

Wir empfehlen, die Verbindung wie folgt einzurichten:




⚠ Vorsicht: Eine Stromversorgung über die Schnittstelle ist nicht zulässig.

11-2. USB-Schnittstelle

(1) Stecker Typ B: 4 Pins

Pin-Nr.	Signal- bezeichnung	Richtung	Signalleitungsbezeichnung
1	VBUS	Eingang	VBUS
2	D-inB	Eingang/ Ausgang	D-
3	D+inB	Eingang/ Ausgang	D+
4	SG	-	Signal Ground (Signalmasse)

 **Vorsicht: Verwenden Sie ein geschirmtes USB-Kabel.**

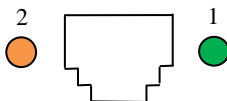
11-3. LAN-Schnittstelle

(1) Stecker für LAN-Schnittstelle

Pin-Nr.	Signal-bezeichnung	Richtung	Signalleitungsbezeichnung
1	TX+	Ausgang	Ausgangsdaten
2	TX-	Ausgang	Ausgangsdaten
3	RX+	Eingang	Eingangsdaten
4	N.C	-	-
5	N.C	-	-
6	RX-	Eingang	Eingangsdaten
7	N.C	-	-
8	N.C	-	-

⚠ Vorsicht: Verwenden Sie ein gerades LAN-Kabel als Schnittstellenkabel, und schließen Sie es über einen HUB an das Netzwerk an.

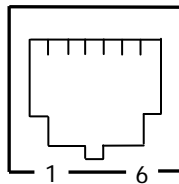
(2) LED



Nr.	Bedeutung	Beschreibung
1	S (Speed / (Geschwindigkeit))	Leuchtet, wenn die Verbindung als 100BASE-TX erkannt wurde Erlischt, wenn keine Verbindung vorhanden ist oder wenn die Verbindung als 10BASE-T erkannt wurde
2	L/A (Link/Act (Link/Akt))	Leuchtet, wenn die Verbindung mit 100BASE-TX oder 10BASE-T hergestellt wird Blinkt beim Senden und Empfangen von Paketen

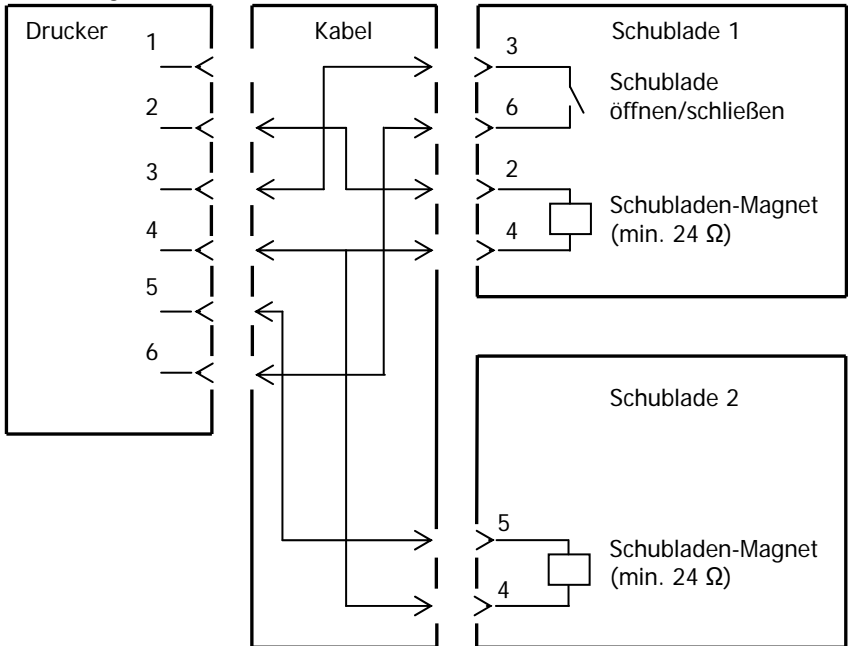
11-4. Kassenschubladen-Anschlussbuchse

Pin-Nr.	Signal-bezeichnung	Richtung	Signalleitungsbezeichnung
1	FG	-	Frame Ground (Gehäusemasse)
2	*DRD1	Ausgang	Antrieb Kassenschublade, Signal 1
3	DRSNS1	Eingang	Erkennung Kassenschublade, Signal 1
4	+24 V	-	Stromversorgung für Antrieb
5	*DRD2	Ausgang	Antrieb Kassenschublade, Signal 2
6	SG	-	Signal Ground (Signalmasse)



<Buchsenansicht>

<Verbindung>



- ⚠ **Vorsicht:** Verwenden Sie ein geschirmtes Kassenschubladenkabel.
- ⚠ **Vorsicht:** Eine gleichzeitige Schaltung beider Antriebe ist nicht möglich.
- ⚠ **Vorsicht:** Die EIN-/AUS-Zeit (t1 und t2) für die Schublade können Sie über den Impulsbefehl (ESC p m t1 t2) festlegen.
- ⚠ **Vorsicht:** Achten Sie darauf, dass die Antriebs-Betriebsdauer der Schublade der folgenden Formel entspricht:
$$\text{EIN-Dauer} / (\text{EIN-Dauer} + \text{AUS-Dauer}) \leq 0,2$$
- ⚠ **Vorsicht:** Lassen Sie die Stromversorgung der Schublade immer über den Drucker laufen (Pin 4 des Steckers).
- ⚠ **Vorsicht:** Verwenden Sie einen Schubladenmagneten mit einem Widerstand von mindestens 24 Ω . Bei weniger 24 Ω kann der Magnet durch zu hohe Stromstärken beschädigt werden.
- ⚠ **Vorsicht:** Dieses Gerät ist mit einem speziellen Modularstecker für die Kassenschublade und das Kundendisplay ausgestattet. Verwenden Sie keine anderen Stecker wie zum Beispiel Telefonstecker.

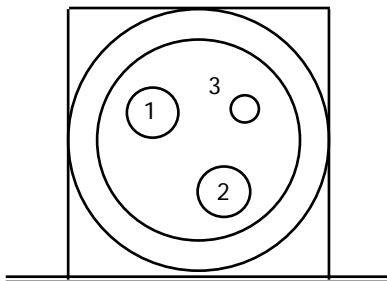
11-5. Technische Daten - elektrischer Anschluss

- (1) Bemessungsspannung Eingang: 100-240 V, 50-60 Hz
- (2) Bemessungsstrom Eingang: 1,1 A
- (3) Betriebsspannung: 24 V \pm 10%
- (4) Leistungsaufnahme: Im Bereitschaftsmodus: Max. 3,0 W/durchschn. 0,1 A
 Im Betrieb: Ca. 38 W/durchschn. 1,5 A
 (bei 24 V, 25 °C, Druckdichte 100 %, Papierbreite 80 mm, 9 % Druckbetrieb)

Hinweis: Antriebsstrom für Kassenschublade: Max. 1 A
 Es dürfen nicht zwei Schubladen gleichzeitig angetrieben werden.

Belegung des Netzteilsteckers

Pin-Nr.	Signalbezeichnung
1	+24 V
2	SG
3	N.C



⚠ Vorsicht: Verwenden Sie für die Stromversorgung nur das von uns empfohlene Netzteil.

⚠ Vorsicht: Wenn unser empfohlenes Netzteil nicht verwendet wird (Benutzer verwendet eigenes Gerät zur Stromversorgung), kann es zu Problemen wie schlechter Druckqualität, elektromagnetischen Störungen oder Leitungsrauschen kommen. Beachten Sie in diesem Fall bitte Folgendes:

- Verwenden Sie ein Netzteil, das für die tatsächliche Leistungsaufnahme beim Drucken geeignet ist.
- Stellen Sie bereits vorher sicher, dass es nicht zu elektrostatischer Aufladung, elektromagnetischen Störungen, Leitungsrauschen usw. kommen kann.

12. Technische Daten

12-1. Technische Daten - allgemein

- (1) Druckverfahren: Thermodirektdruck
- (2) Druckgeschwindigkeit: Maximal 300 mm/s (nur schwarz-weiß)
- (3) Druckauflösung: 8 Punkte/mm (0,125 mm)
- (4) Verhältnis zwischen Anzahl der gedruckten Spalten und Schriftgröße

Basisschrift ((Breite)x(Höhe) in Punkt)

	Papierbreite: 58 mm	
	32-Spalten-Druck	35-Spalten-Druck
ANK: Schriftart A	32 Spalten: 12x24	35 Spalten: 12x24
ANK: Schriftart B	38 Spalten: 10x24 42 Spalten: 9x24	42 Spalten: 10x24 46 Spalten: 9x24
ANK: Schriftart C	48 Spalten: 8x16	52 Spalten: 8x16
ANK: Schriftart A Erweiterungsschriftart	32 Spalten: 12x24	35 Spalten: 12x24
ANK: Schriftart B Erweiterungsschriftart	38 Spalten: 10x24 42 Spalten: 9x24	42 Spalten: 10x24 46 Spalten: 9x24

Basisschrift ((Breite)x(Höhe) in Punkt)

	Papierbreite: 80 mm	
	42-Spalten-Druck	48-Spalten-Druck
ANK: Schriftart A	42 Spalten: 12x24	48 Spalten: 12x24
ANK: Schriftart B	51 Spalten: 10x24 56 Spalten: 9x24	57 Spalten: 10x24 64 Spalten: 9x24
ANK: Schriftart C	64 Spalten: 8x16	72 Spalten: 8x16
ANK: Schriftart A Erweiterungsschriftart	42 Spalten: 12x24	48 Spalten: 12x24
ANK: Schriftart B Erweiterungsschriftart	51 Spalten: 10x24 56 Spalten: 9x24	57 Spalten: 10x24 64 Spalten: 9x24

(5) Zeichensätze

- Alphanumerisches Zeichen (95)
- Internationales Zeichen (16 Sätze : Gothic)
- Vergrößerte Grafiken (128 x 20 Seiten : Gothic)
- Heruntergeladene Registrierung (96)
- Benutzerdefiniertes Kanji (94)

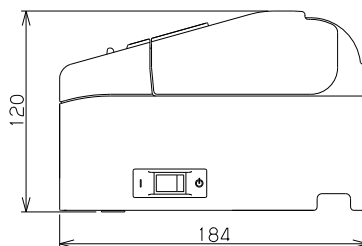
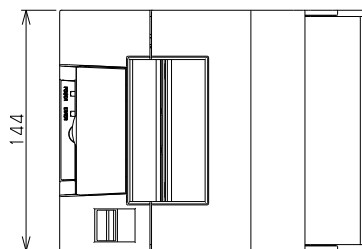
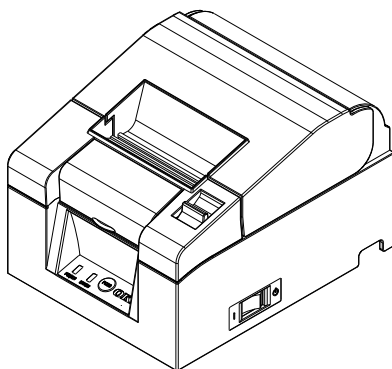
(6) Schriftgröße

	Basisschriftart		Letter-Schriftart	
	(Breite)x (Höhe) in Punkt	(Breite)x (Höhe) in mm	(Breite)x (Höhe) in Punkt	(Breite)x (Höhe) in mm
ANK: Schriftart A	12 x 24	1,5 x 3,0	11 x 22	1,375 x 2,75
ANK: Schriftart B	10 x 24 9 x 24	1,25 x 3,0 1,125 x 3,0	9 x 17 9 x 17	1,125 x 2,125 1,125 x 2,125
ANK: Schriftart C	8 x 16	1,0 x 2,0	8 x 13	1,0 x 1,625
ANK: Schriftart A Erweiterungs- schriftart	12 x 24	1,5 x 3,0	12 x 24	1,5 x 3,0
ANK: Schriftart B Erweiterungs- schriftart	10 x 24 9 x 24	1,25 x 3,0 1,125 x 3,0	9 x 22 9 x 22	1,125 x 2,75 1,125 x 2,75

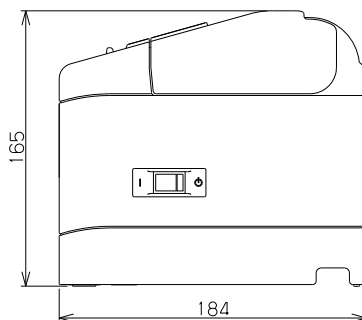
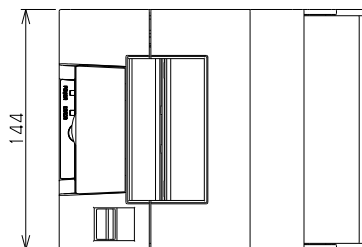
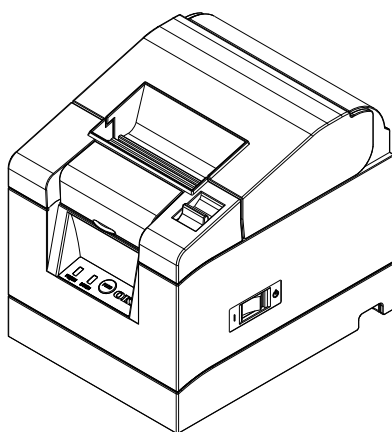
(Hinweis) Die Anzahl der gedruckten Spalten, die Schriftgröße und die verfügbaren Zeichensätze hängen vom Druckermodell und/oder der Region ab.

(7) Umrissdarstellung

Standardmodell



Modell mit integriertem Netzteil



12-2. Technische Daten - Schneidwerk

(1) Schnittmethode: Partieller Schnitt (Papier bleibt an einer Stelle verbunden)

⚠ Vorsicht: Verwenden Sie das Schneidwerk nicht konstant mit mehr als 10 Schnitten pro Minute (mehr als 1 Schnitt pro 6 Sekunden). Anderenfalls kann es zu Störungen kommen.

12-3. Technische Daten - Wechsel der Papierrollen

(1) Einlegemethode: Die Papierrollen werden manuell eingesetzt.

(2) Papier fast alle: Meldung, wenn das verbleibende Papier nicht ausreicht.

⚠ Vorsicht: Es wird ein Kerndurchmesser von 18 mm unterstützt.

12-4. Technische Daten - Schnittstelle

(1) Seriell (RS-232C)

(2) USB (USB 2.0 Full Speed)

(3) LAN (10BASE/100BASE-T)

12-5. Technische Daten - Umgebungsbedingungen

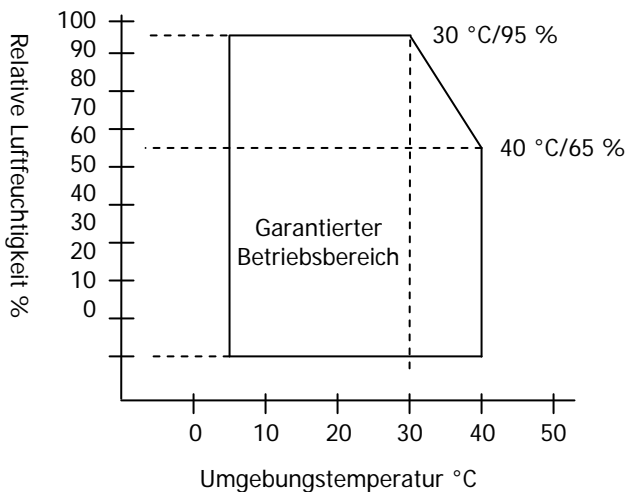
(1) Temperatur

In Betrieb	Betrieb gewährleistet bei:	0 °C-40 °C
	Druckqualität gewährleistet bei:	5 °C-35 °C
Außer Betrieb		-5 °C-60 °C
Transport oder Lagerung (Verpackung)		-20 °C-60 °C

(2) Luftfeuchtigkeit

In Betrieb	Betrieb gewährleistet bei:	10 %-95 % relativ (keine Kondensation)
	Druckqualität gewährleistet bei:	10 %-85 % relativ (keine Kondensation)
Außer Betrieb		8 %-95 % relativ (keine Kondensation)
Transport oder Lagerung (Verpackung)		5 %-95 % relativ (keine Kondensation)

(3) Maximale Feuchtkugeltemperatur 29 °C



12-6. Technische Daten - Lebensdauer

- (1) Lebensdauer Drucker 20 Millionen Zeilen
(bei Verwendung des empfohlenen 75- μ m-Papiers)
- (2) Lebensdauer Thermodruckkopf
Länge: 100 km
(bei Verwendung des empfohlenen 75- μ m-Papiers)
Impulse: 100 Millionen Impulse
(bei Verwendung des empfohlenen 75- μ m-Papiers)
- (3) Lebensdauer Schneidwerk
Papierdicke 75 μ m: 1,5 Millionen Schnitte
(bei Verwendung des empfohlenen 75- μ m-Papiers)
65 μ m/85 μ m: 1,0 Million Schnitte

Hinweis: Wenn Umstände der maximalen Druckengeschwindigkeit 220 mm/s sind.

13. Sicherheitshinweise zur Benutzung

13-1. Hinweise zum Umgang mit Thermopapier

- (1) Hohe Druckgeschwindigkeiten können zum Verwischen des Ausdrucks führen. Um ein Verwischen zu vermeiden, wählen Sie eine geeignete Druckgeschwindigkeit, oder wählen Sie eine geeignete Kombination aus Druckgeschwindigkeit und Druckdichte.
(Siehe Kap. 9 Spezialmodus: 9-2. Einrichtung ändern.)
- (2) Zeichen aus einem nicht standardmäßigen Zeichensatz erscheinen beim Ausdruck in einer Schrift mit dünnen Serifen o. ä. sehr blass. Verwenden Sie in diesem Fall eine fett ausgezeichnete, serifenlose Schrift.
- (3) Sie erreichen qualitativ hochwertige Ausdrücke mit gleichmäßigem Erscheinungsbild (ohne Dehnung oder Stauchung), wenn Sie das Papier vor dem nächsten Druckvorgang bzw. nach dem Abschneiden mindestens 1 mm (8 Rasterpunkte) verschieben.
- (4) Beim sequenziellen Drucken kann eine langsame Datenübertragung zu weißen Streifen auf dem Ausdruck führen, da Druckvorgang und Druckpausen wechselweise erfolgen. Drucken Sie daher im Batchmodus („Batch (COM IF)“, „Batch (COM IF)“), wenn die Druckqualität entscheidend ist.
(Siehe Kap. 9 Spezialmodus: 9-2. Einrichtung ändern.)
- (5) Mit einem Menübefehl kann der obere Papierrand auf 12 mm oder 3 mm eingestellt werden. Wenn der obere Rand auf 3 mm festgelegt ist, müssen Sie den Ausdruck jedes Mal entfernen, wenn der Druckvorgang mit dem Abschneiden des Papiers beendet wird, da das Papier vor dem nächsten Drucken zurückgezogen wird. Anderenfalls kann das teilweise geschnittene Papier einreißen oder die Schneidkante geknickt werden, was zum Papierstau führt. Verwenden Sie außerdem für jeden Druckvorgang mindestens 30 mm Papier.
- (6) Eine hoch eingestellte Druckdichte (110 % und mehr) kann bei niedrigen Temperaturen je nach Druckmuster ein verwischtes oder unregelmäßiges Ergebnis zur Folge haben. Reduzieren Sie daher die Druckgeschwindigkeit, wenn die Druckqualität entscheidend ist.
(Siehe Kap. 9 Spezialmodus: 9-2. Einrichtung ändern.)
- (7) Wechseln Sie während des Druckvorgangs nicht von schmalerem auf breiteres Papier (z. B. 58 mm auf 80 mm). Wenn Sie sehr schmales Papier verwenden, kann ein Teil des Thermodruckkopfes direkt mit der Druckwalze in Verbindung kommen. Dadurch verschleißt der Druckkopf schneller und die Druckqualität verschlechtert sich. Da die Klinge auch an Stellen ohne Papier schneidet, kann sie ab stumpfen und die Schnittleistung nachlassen. Wechseln Sie während des Druckvorgangs nicht auf Papier mit anderer Breite.

- (8) Wenn das Papier über längere Zeit im Drucker belassen wird, kann es sich wellen und das Druckergebnis blass erscheinen lassen. Ziehen Sie es daher vor dem nächsten Drucken 20-30 mm vor, wenn der letzte Druckvorgang schon länger zurückliegt.
- (9) Wenn andere als die empfohlenen Papiersorten verwendet werden, können die angegebene Druckqualität und/oder Lebensdauer des Thermodruckkopfes nicht zugesichert werden. Insbesondere Papiersorten, die Na⁺, K⁺ oder Cl⁻ enthalten, können die Lebensdauer des Thermodruckkopfes beträchtlich verkürzen.
- (10) Die Verwendung eines anderen als des empfohlenen Netzteils kann verwischte und/oder unregelmäßige Druckergebnisse zur Folge haben. Verwenden Sie daher nur das empfohlene Netzteil.
- (11) Beim Papierrollenwechsel oder Schließen der oberen Abdeckung kann das Papier verschmutzen oder einreißen. Ziehen Sie es daher vor dem Drucken um 20-30 mm vor.

13-2 Hinweise zum Umgang mit dem Schneidwerk

- (1) Verwenden Sie das Schneidwerk nicht konstant mit mehr als 10 Schnitten pro Minute (mehr als 1 Schnitt pro 6 Sekunden). Anderenfalls kann es zu Störungen kommen.
- (2) Entfernen Sie das Papier nicht während des Schneidvorgangs. Dies kann zu Störungen wie z. B. einem Papierstau führen.
- (3) Wenn der obere Rand mit 3 mm festgelegt ist, müssen Sie den Ausdruck jedes Mal entfernen, wenn der Druckvorgang mit dem Abschneiden des Papiers beendet wird, da das Papier vor dem nächsten Drucken zurückgezogen wird. Anderenfalls kann es zu Störungen wie z. B. einem Papierstau kommen.

13-3. Hinweise zum Druck von Strichcodes/2D-Codes

- (1) Bei der Verwendung von dickem Papier sollten die Druckgeschwindigkeit und die Druckdichte entsprechend angepasst werden. Prüfen Sie vor dem regulären Einsatz, ob der Druck zuverlässig erfolgt, da es je nach Einsatzumgebung und Luftfeuchtigkeit bei dickem Papier zu einem Verwischen des Ausdrucks kommen kann.
(Siehe Kap. 9 Spezialmodus: 9-2. Einrichtung ändern.)
- (2) Passen Sie bei 2D-Codes die Druckgeschwindigkeit und Druckdichte so an, dass eine gute Erkennungsleistung erzielt wird. Die Lesbarkeit unterscheidet sich je nach Modulbreite, Druckdichte, Umgebungstemperatur, Thermopapier und Leistung des Leseegeräts. Überprüfen Sie die korrekte Erkennung daher vor dem regulären Einsatz des Druckers.
(Siehe Kap. 9 Spezialmodus: 9-2. Einrichtung ändern.)

- (3) Wird ein Strichcode am oberen Ende des Papiers (beim ersten Einzug) oder am unteren Ende des Papiers (nach Abschluss des Einzugs) gedruckt, so sollte die Lesbarkeit überprüft werden, da die Präzision des Papiervorschubs eventuell nachlässt.

13-4. Hinweise zur Benutzung der USB-Schnittstelle

- (1) Schließen Sie den Drucker direkt an den Host an.
- (2) Schalten Sie den Drucker an, bevor Sie einen Druckvorgang auslösen.
- (3) Kommt es während des Druckens zu einem Fehler, beheben Sie ihn und starten Sie einen erneuten Druckversuch.
- (4) Schalten Sie während des Druckvorgangs den Drucker nicht aus und stecken Sie auch das USB-Kabel nicht aus. Schalten Sie den Host-Computer nach Möglichkeit nicht in einen Energiesparmodus (Standby, Ruhezustand o. ä.). Stecken Sie das USB-Kabel aus und wieder ein oder schalten Sie den Drucker aus und wieder ein, wenn er auch nach der Ausführung der oben beschriebenen Schritte nicht richtig funktioniert. Wenn der Drucker dann immer noch nicht richtig funktioniert, starten Sie den Host-Computer neu.

13-5. Hinweise zur Benutzung der LAN-Schnittstelle

- (1) Die Web-Einstellungen des Druckers sollten konfiguriert werden, wenn der Drucker keinen Druckvorgang durchführt.
Wenn Sie die Web-Einstellungen häufig ändern, während der Drucker einen Druckvorgang durchführt, wird das Papier möglicherweise nicht genau eingezogen, und es kann zu einem ungleichmäßigen Druck kommen.
- (2) Dieser Status Monitor kann mit dedizierten LAN-Ports verwendet werden.
Er unterstützt keine Windows-Standard-LAN-Ports.
- (3) Wenn Sie von einem einzelnen Computer mit mehreren Druckern drucken, wird der Druckvorgang abhängig von dem Standard-TCP/IP-Port des Betriebssystems möglicherweise nicht korrekt durchgeführt. Setzen Sie in diesem Fall die Funktion der bidirektionalen Kommunikation vor dem Drucken im Druckertreiber auf Deaktiviert.
- (4) Wenn der Drucker während des Druckvorgangs ausgeschaltet wird, wird der Druckvorgang beim Einschalten des Druckers möglicherweise nicht automatisch wiederaufgenommen.
Löschen Sie in diesem Fall die Druckauftragsdaten aus dem Druckerspöoler, und führen Sie den Druckvorgang dann erneut aus.

13-6. Hinweise zur Aufstellung

- (1) Verwenden Sie den Drucker nur in geschlossenen Räumen. Die Verwendung im Freien kann durch Staub und andere Faktoren zu Fehlfunktionen des Druckers führen.
- (2) Halten Sie den Drucker mit beiden Händen an den Seiten der mittleren Abdeckung fest, wenn Sie ein Kabel einstecken oder das Gerät verrücken wollen. Wenn Sie den Drucker an der oberen Abdeckung festhalten, kann diese sich öffnen.

13-7. Hinweise zur Benutzung eines Modularsteckers

- (1) Dieses Gerät ist mit einem speziellen Modularstecker für die Kassenschublade und das Kundendisplay ausgestattet. Verwenden Sie keine anderen Stecker wie zum Beispiel Telefonstecker.

Okı Kontaktdetails

Okı Systems (UK) Ltd

Blays House
Wick Road
Egham
Surrey
TW20 0HJ

Tel: +44 (0) 1784 274300
Fax: +44 (0) 1784 274301
http://www.oki.co.uk

Okı Systems Ireland Limited

The Square Industrial Complex
Tallaght
Dublin 14

Tel: +353 (0) 1 4049590
Fax: +353 (0) 1 4049591
http://www.oki.ie

Okı Systems Ireland Limited - Northern Ireland

19 Ferndale Avenue
Glengormley
BT36 5AL
Northern Ireland

Tel: +44 (0) 7767 271447
Fax: +44 (0) 1 404 9520
http://www.oki.ie

Technical Support for all Ireland:
Tel: +353 1 4049570
Fax: +353 1 4049555
E-mail: tech.support@oki.ie

Okı Systems (Czech and Slovak), s.r.o.

Futurama Business Park -
Sokolovská 651/136A
186 00 Praha 8
Czech Republic

Tel: +420 224 890158
Fax: +420 22 232 6621
Website: www.oki.cz, www.oki.sk

Okı Systems (Deutschland) GmbH

Hansaallee 187
40549 Düsseldorf

Tel: +49 (0) 211 / 5266-0
Fax: +49 (0) 211 59 33 45
Website: www.oki.deinfo@oki.de

Albania, Bosnia, Bulgaria, Croatia,
Cyprus, Estonia, Greece, Israel,
Latvia, Lithuania, Macedonia,
Romania, Serbia, Slovenia

CEE Export Group: Okı Systems (Poland) Ltd

ul. Domaniewska 42
02-672 Warsaw
Poland

Tel: +48 (0) 22 448 65 00
Fax: +48 (0) 22 448 65 0
E-mail: tech@oki.com.pl

Okı Systèmes (France) S.A.

Zone Silic - Immeuble Osaka
21 rue du Jura
CS 90277
94633 RUNGIS Cedex
Paris

Tél: Standard 0820 200 410
(0.09€/min depuis une ligne fixe*)
Hotline 01 76 54 21 50 (n° non
surtaxé)
Website: www.oki.fr

Okı Systems (Magyarország) Kft.

Capital Square
Tower 2
7th Floor
H-1133 Budapest,
Váci út 76
Hungary

Telefon: +36 1 814 8000
Telefax: +36 1 814 8009
Website: www.okihu.hu

Okı Systems (Italia) S.p.A.

via Milano, 11,
20084 Lacchiarella (MI)

Tel: +39 (0) 2 900261
Fax: +39 (0) 2 90026344
Website: www.oki.it

Okı Systems (Polska) Sp. z o.o

Platinum Business Park II, 3rd
Floor
ul. Domaniewska 42
02-672 Warsaw
Poland

Tel: +48 22 448 65 00
Fax: +48 22 448 65 01
Website: www.oki.com.pl
E-mail: oki@oki.com.pl
Hotline: 0800 120066
E-mail: tech@oki.com.pl

Okı Europe Limited, Sucursal em Portugal

Av. Quinta Grande 53
7° D Alfragide
2614-521 Amadora
Portugal

Tel: +351 21 470 4200
Fax: +351 21 470 4201
Website: www.oki.pt
E-mail : oki@oki.pt

Okı Service Serviço de apoio técnico ao Cliente

Tel: 214 727 660
E-mail : okiserv@oki.pt

Okı Systems Rus, LLC (Russia)

Sector B, 3rd Floor, Svyatogor-4
Business Center10/4, Letnikovskaya
str. 115114, Moscow

Tel: +7 495 276 5060
Fax: +7 495 258 6070
e-mail: info@oki.ru
Website: www.oki.ru

Technical support:
Tel: +7 495 564 8421
e-mail: tech@oki.ru

Okı Systems (Österreich)

Campus 21
Businesszentrum Wien Sued
Liebermannstrasse A02 603
22345 Brun am Gebirge

Tel: +43 223 6677 110
Service-Hotline:
+43 (0) 2236/677 110-501
Website: www.oki.at

Okı Europe Ltd. (Ukraine)

Raisy Opkinoy Street,8
Building B, 2nd Floor,
Kiev 02002
Ukraine

Tel: +380 44 537 5288
e-mail: event@oki.ua
Website: www.oki.ua

Okı Sistem ve Yazıcı Çözümleri Tic. Ltd. Şti.

Harman sok Duran Is Merkezi,
No:4, Kat:6,
34394, Levent
İstanbul

Tel: +90 212 279 2393
Faks: +90 212 279 2366
Web: www.oki.com.tr

Okı Systems (Belgium)

Medialaan 24
1800 Vilvoorde

Helpdesk: 02-2574620
Fax: 02 2531848
Website: www.oki.be

Okı Systems (Denmark) a-s

Herstedøstervej 27
2620 Albertslund
Danmark

Adm.: +45 43 66 65 00
Fax: +45 43 66 65 90
E-mail: saig@oki.dk /
support@oki.dk
Website: www.oki.dk

Oki Systems (Finland) Oy

Polaris Capella
Vänrikinkuja 3
02600 Espoo

Tel: +358 (0) 207 900 800
Fax: +358 (0) 207 900 809
Website: www.oki.fi

Oki Systems (Holland) b.v.

Neptunstraat 27-29
2132 JA Hoofddorp

Helpdesk: 0800 5667654
Tel: +31 (0) 23 55 63 740
Fax: +31 (0) 23 55 63 750
Website: www.oki.nl

Oki Systems (Norway) AS

Tevlingveien 23
N-1081 Oslo

Tel: +47 (0) 63 89 36 00
Telefax: +47 (0) 63 89 36 01
Website: www.oki.no

Var vänlig kontakta din
Återförsäljare i första hand, för
konsultation. I andra hand kontakta

Oki Systems (Sweden) AB

Borgafjordsgatan 7
Box 1193
164 26 Kista

Tel. +46 (0) 8 634 37 00
e-mail: info@oki.se
Website: www.oki.se

Oki Systems (Schweiz)

Baslerstrasse 15
CH-4310 Rheinfelden

Support deutsch +41 61 827 94 81
Support français +41 61 827 94 82
Support italiano +41 061 827 9473

Tel: +41 61 827 9494
Website: www.oki.ch

Oki Data Americas Inc. (United States • États-Unis)

2000 Bishops Gate Blvd.
Mt. Laurel, NJ 08054
USA

Tel: 1-800-654-3282
Fax: 1-856-222-5247
<http://WWW.OKIPRINTINGSOLUTIONS.COM>
<http://my.okidata.com>

Oki Data Americas Inc. (Canada • Canadá)

4140B Sladeview Crescent Unit 7 & 8
Mississauga, Ontario
Canada L5L 6A1

Tél: 1-905-608-5000
Télé: 1-905-608-5040
<http://WWW.OKIPRINTINGSOLUTIONS.COM>

Oki Data Americas Inc. (Amérique Latine (OTRO))

2000 Bishops Gate Blvd.
Mt. Laurel, NJ 08054
USA

Tel (Español): 1-856-222-7496
1-856-222-5276
Fax: 1-856-222-5260
Email: LASatisfaction@okidata.com

Oki Data de Mexico, S.A. de C.V.

Mariano Escobedo #748, Piso 8
Col. Nueva Anzures
C.P. 11590, México, D.F.

Tel: 52-555-263-8780
Fax: 52-555-250-3501
<http://WWW.OKIPRINTINGSOLUTIONS.COM>

Oki Data do Brasil Informática Ltda.

Av. Alfredo Egidio de Souza Aranha,
100 - 5º Andar - Bloco C
Chácara Santo Antonio - São Paulo,
SP - Brasil
CEP: 04726-170

Tel: 55-11-3543-5500 (Grande São Paulo)
0800-11-5577 (Demais localidades)
Fax: 55-11-3444-3501
email: okidata@okidata.com.br
HTTP: www.okiprintingsolutions.com

Argentina/Chile/Paraguay/Perú/Uruguay**Oki Data Americas, Inc.**

Sucursal Argentina
Ugarte 3610 Piso 4° (1605) Olivos
Buenos Aires, Argentina

TEL: +54 11 5288 7500
Fax: +54 11 5288 7599

Colombia/Ecuador/Venezuela/Centroamérica y Caribe Oki Data Americas, Inc.

Sucursal Colombia
Carrera 13 #97-51, Oficina 101
Bogotá Colombia

TEL: +57 1 704 5159

Oki Data (Singapore) Pte. Ltd.

438A Alexandra Road #02-11/12,
Lobby 3, Alexandra Technopark
Singapore(119967)

Tel: (65) 6221 3722
Fax: (65) 6594 0609
<http://www.okidata.com.sg>

Oki Systems (Thailand) Ltd.

1168/81-82 Lumpini Tower,
27th Floor Rama IV Road
Tungmahamek, Sathorn
Bangkok 10120

Tel: (662) 679 9235
Fax: (662) 679 9243/245
<http://www.okisysthai.com>

Oki Data(Australia) Pty Ltd.

Level1 67 Epping Road, Macquarie
Park
NSW 2113, Australia

Tel: +61 2 8071 0000
(Support Tel: 1800 807 472)
Fax: +61 2 8071 0010
<http://www.oki.com.au>

OKI Data New Zealand

8 Antares Place Rosedale,
Auckland, 0632 New Zealand

Tel: (64) 9 477 0500
Fax: (64) 9 477 0549
<http://www.oki.co.nz/>

Oki Data(S) P Ltd. Malaysia Rep Office

Suite 21.03, 21st Floor Menara IGB,
Mid Valley City,
Lingkaran Syed Pura 59200,
Kuala Lumpur, Malaysia

Tel: (60) 3 2287 1177
Fax: (60) 3 2287 1166

PT340/341**Guía del usuario**

PREFACIO

Se han realizado todos los esfuerzos posibles para garantizar que la información de este documento sea completa y exacta y esté actualizada. El fabricante no asume ninguna responsabilidad por los resultados de errores que estén fuera de su control. El fabricante tampoco puede garantizar que los cambios realizados por otros fabricantes en software y equipos a los que se hace referencia en este manual no afectarán a la vigencia de la información contenida en él. La mención de productos de software fabricados por otras compañías no constituye necesariamente la aprobación del fabricante.

Aunque se ha hecho todo lo posible para que este documento sea preciso y útil, no garantizamos en forma alguna, expresa o implícita, la precisión o integridad de la información contenida en el mismo.

Todos los derechos reservados por Oki Data Corporation. No debe realizar copias, transferencias, traducciones o acciones relacionadas no autorizadas. Debe obtener permiso escrito de Oki Data Corporation antes de hacer nada de lo descrito anteriormente.

© 2013 Oki Data Corporation

OKI es una marca registrada de Oki Electric Industry Co., Ltd.

Energy Star es una marca comercial de United States Environmental Protection Agency.

Microsoft, Windows, Windows Server y Windows Vista son marcas registradas de Microsoft Corporation.

Apple, Macintosh, Rosetta, Mac y Mac OS son marcas registradas de Apple Inc.

Otros nombres de productos y marcas mencionados son marcas registradas o marcas comerciales de sus respectivos propietarios.



Como participante del programa Energy Star, el fabricante ha determinado que este producto se ajusta a las directrices de eficiencia energética de Energy Star.



Este producto cumple los requerimientos de las Directivas del Consejo 2014/30/EU (EMC), 2014/35/EU (LVD), 2014/53/EU (RED) y 2011/65/EU (RoHS), según las enmiendas aplicables, relativas a la armonización de la legislación de los Estados miembros sobre la compatibilidad electromagnética, baja tensión, equipos terminales de radio y telecomunicaciones, y productos que utilizan energía, restricción sobre el uso de ciertas sustancias peligrosas en aparatos eléctricos y electrónicos.

Los cables siguientes fueron usados para evaluar este producto en conformidad con la directiva EMC 2014/30/EU y otras configuraciones podrían afectar dicha conformidad.

TIPO DE CABLE	LONGITUD (METROS)	NÚCLEO	FUNDA
Alimentación	2.0	×	×
USB	5.0	×	✓
Serie (25pin)	15.0	×	✓
Serie (9pin)	15.0	×	✓
LAN	5.0	×	×
Cajón	1.8	×	×

ADVERTENCIA: Este es un producto de Clase A, tal y como se define en EN55022. En un entorno doméstico, este producto podría provocar interferencias de radio, en cuyo caso el usuario deberá adoptar las medidas adecuadas.

FABRICANTE

Oki Data Corporation,
4-11-22 Shibaura, Minato-ku,
Tokio 108-8551,
Japón

Para todas las consultas de tipo general, de soporte y ventas, póngase en contacto con el distribuidor local.

IMPORTADOR PARA LA UE/REPRESENTANTE AUTORIZADO

OKI Europe Limited (que comercializa como Oki Printing Solutions)

Blays House
Wick Road
Egham
Surrey, TW20 OHJ
Reino Unido

Para todas las consultas de tipo general, de soporte y ventas, póngase en contacto con el distribuidor local.

INFORMACIÓN MEDIOAMBIENTAL



Following information is only for the province of Buenos Aires in Argentine:



La siguiente información es solo para Argentina
El uso de este símbolo indica que este producto no puede ser tratado como residuos domésticos.

Asegúrese que este producto se deseché correctamente, Usted ayudara a evitar posibles consecuencias negativas para el medio ambiente y la salud humana, que podrían derivarse de la incorrecta manipulación de este producto.

Para mas información sobre el reciclaje de este producto, consulte con nuestro.

Acerca del software de código abierto utilizado por la "PT340/PT341"

La "PT340/PT341" utiliza software de código abierto que se otorga bajo la licencia GNU GPL, LGPL, BSD y licencias similares.

El texto completo de las licencias que se aplican a este software está almacenado en la siguiente carpeta.

Nombre de la unidad : \Manual

License.txt

Descripción de los símbolos de seguridad que aparecen en el equipo



No.	Símbolo	Descripción
1		"ENCENDIDO" (alimentación) Para indicar la conexión a la red eléctrica, al menos para los interruptores o sus posiciones.
2		Modo en espera Para identificar el interruptor o la posición en la cual parte del equipo se enciende para llevarlo a la posición de modo en espera.
3		Alerta/precaución general Para identificar una alerta/precaución general.
4		Cuidado, superficie caliente Para indicar que el punto indicado puede estar caliente y no se debe tocar sin prestar atención.
5		Corriente directa Para indicar en la placa de características que el equipo es solo compatible con corriente directa; para identificar los terminales correspondientes.
6		Corriente alterna Para indicar en la placa de características que el equipo es solo compatible con corriente alterna; para identificar los terminales correspondientes.

Tabla de contenidos

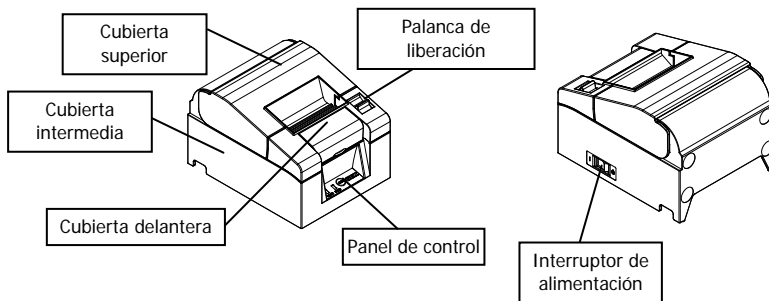
1. Apariencia y nombre de los componentes	5
1-1. Nombres de los componentes	5
1-2. Contenido del paquete	6
2. Adaptador de CA	7
3. Especificaciones del papel	8
3-1. Ancho del papel.....	8
3-2. Grosor del papel.....	8
3-3. Rollo de papel	8
3-4. Papel térmico recomendado.....	9
4. Preparación	10
4-1. Conexión del cable de interfaz (a la impresora)	11
4-2. Conexión del cable de interfaz (al PC).....	13
4-3. Conexión del cable de expulsión del cajón	15
4-4. Conexión del adaptador y el cable de CA	16
4-5. Extracción del adaptador de CA	19
4-6. Instalación de la impresora	20
4-7. Encendido.....	24
4-8. Instalación del software de la impresora.....	25
5. Colocación del papel.....	26
5-1. Apertura de la tapa superior	26
5-2. Valor de configuración del ancho del papel (Ancho: 58 mm/80 mm)	28
5-3. Colocación del papel.....	30
5-4. Cierre de la tapa superior.....	32
6. Panel de control	33
6-1. Panel de control	33
6-2. Indicaciones de error.....	34
7. Prevención y eliminación de atascos de papel.....	36
7-1. Prevención de atascos de papel	36
7-2. Eliminación de atascos de papel.....	36
7-3. Si la cubierta superior no se abre.....	37
8. Solución de problemas	40
8-1. Problemas en el encendido y otros errores	40
8-2. Problemas de la cuchilla	40
8-3. Problemas de impresión	41

9. Modo especial (Test Print, Setup Menu...)	42
9-1. Prueba de impresión	42
9-2. Cambio de la configuración	44
9-3. Setup Settings (Valores de configuración)	54
9-4. Valores de configuración de LAN (Impresoras con interfaces serie, USB y LAN)	60
9-5. Hex Dump (Volcado hexadecimal)	63
9-6. Command Trace	64
9-7. Sample Print (Impresión de muestra)	65
10. Limpieza periódica	70
10-1. Limpieza del soporte del papel y su recorrido	70
10-2. Limpieza del rodillo de la platina	71
10-3. Limpieza del cabezal térmico	72
11. Interfaz	73
11-1. Interfaz serie	73
11-2. Interfaz USB	76
11-3. Interfaz LAN	76
11-4. Conector de expulsión del cajón	77
11-5. Especificaciones de alimentación	79
12. Especificaciones	80
12-1. Especificaciones generales	80
12-2. Especificaciones de la cuchilla	83
12-3. Especificaciones de suministro del rollo de papel	83
12-4. Especificaciones de la interfaz	83
12-5. Especificaciones medioambientales	84
12-6. Especificaciones de fiabilidad	85
13. Precauciones de uso	86
13-1. Precauciones relacionadas con el papel	86
13-2. Precauciones relacionadas con la cuchilla	87
13-3. Precauciones de impresión de códigos de barras/códigos 2D	87
13-4. Precauciones de uso de la interfaz USB	88
13-5. Precauciones de uso de la interfaz LAN	88
13-6. Precauciones de instalación	89
13-7. Precauciones de uso del conector de tipo modular	89

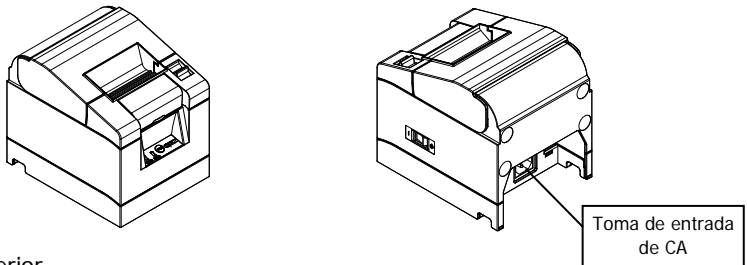
1. Apariencia y nombre de los componentes

1-1. Nombres de los componentes

Modelo estándar

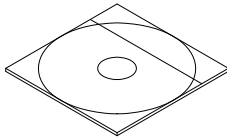


Modelo con fuente de alimentación incorporada

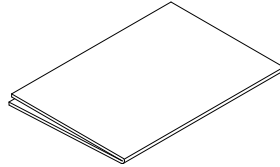


- Cubierta superior
Se abre para reponer el papel.
- Palanca de liberación
Se utiliza para abrir la cubierta superior.
- Interruptor de alimentación
Enciende o apaga la impresora.
- Panel de control
Contiene los interruptores de funcionamiento de la impresora y los testigos luminosos que indican el estado de la impresora.
- Cubierta delantera
Se puede quitar en caso de atascos de la cuchilla o cuando la tapa superior no se abre.
- Toma de entrada de CA
Conecte el cable de alimentación de CA aquí.

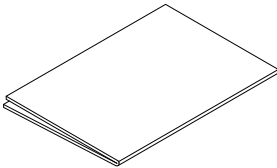
1-2. Contenido del paquete



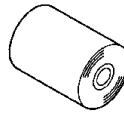
CD



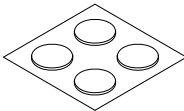
Hoja de instrucciones



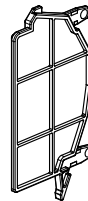
Hoja de garantía de seguridad



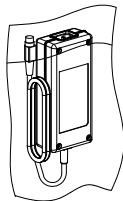
Papel térmico



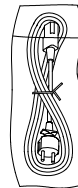
Pies de goma
(Para instalación vertical)



Separador de 58 mm



Adaptador de CA
(Modelo estándar)



Cable de alimentación

2. Adaptador de CA

Utilice únicamente el adaptador de CA que se especifica a continuación.

Artículo	N.º	Comentarios
Adaptador de CA	KA02951-0120	Entrada: De 100 a 240 V CA, 50-60Hz Salida: 24 V \pm 5%, 1,5 A

⚠ Precaución: Utilice únicamente adaptadores de CA autorizados.

⚠ Precaución: No utilice el adaptador de CA incluido con cualquier otro equipo eléctrico que no sea esta impresora.

3. Especificaciones del papel

Utilice únicamente el rollo de papel térmico que se especifica a continuación.

3-1. Ancho del papel

- Papel de 80 mm $80mm_{-1,0}^0$
- Papel de 58 mm $58mm_{-1,0}^0$

3-2. Grosor del papel

- 65 a 85 μm

3-3. Rollo de papel

- Diámetro exterior: $\varnothing 83$ mm o menos
- Diámetro interno: $\varnothing 12 \pm 0,5$ mm (interior) / $\varnothing 18 \pm 0,5$ mm (exterior)
- Superficie de impresión: Fuera del rollo
- Tratamiento del extremo del papel paper: El rollo de papel no debe estar pegado a la base.
El final del papel tampoco debe doblarse hacia atrás.

⚠ Precaución: No utilice rollos que tengan bordes desiguales ni bordes con pedazos de papel sobresaliendo. Este tipo de papel puede provocar problemas de inestabilidad en la alimentación, lo que a su vez supone problemas en la impresora.

3-4. Papel térmico recomendado

Fabricante	Nombre del producto	Característica de calidad	Grosor del papel	Densidad
Oji Paper Co., Ltd.	PD160R	Papel térmico monocromo (tipo de conservación de alta calidad)	75 µm	100%
	PD190R	Papel térmico monocromo (tipo de conservación de calidad media)	75 µm	100%
Nippon Paper Industries Co., Ltd.	TF60KS-E	Papel térmico monocromo (tipo normal)	75 µm	100%
	TP60KS-F1	Papel térmico monocromo (tipo de conservación de calidad media)	75 µm	100%
	TF50KS-E	Papel térmico monocromo (tipo normal)	65 µm	100%
	TF62KS-E	Papel térmico monocromo (tipo normal)	85 µm	100%

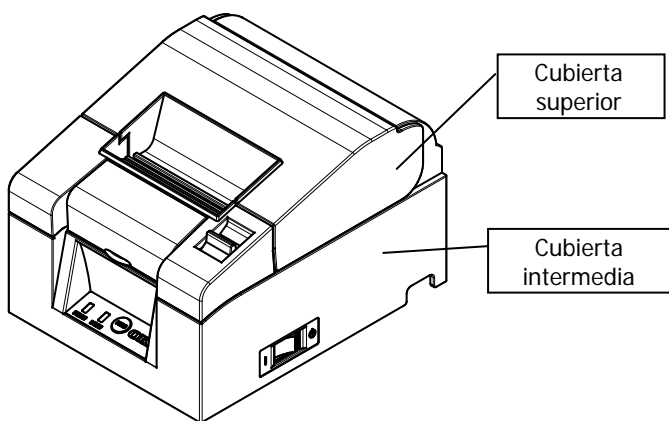
⚠ Precaución: El uso de papel no recomendado puede causar daños en el cabezal de la impresora, mala calidad de impresión, etc.

4. Preparación

No se suministra ningún cable de la impresora con el producto. Consiga un cable de impresora adecuado para la interfaz del producto. Si tiene alguna pregunta, consulte con su distribuidor. Antes de conectar o desconectar los cables, asegúrese de lo siguiente:

- (1) La alimentación eléctrica de la impresora y todos los dispositivos conectados a la impresora están apagados.
- (2) El cable de alimentación del adaptador de CA se ha desconectado de la toma.

⚠ Precaución: Cuando conecte los cables o desplace la impresora, sujete la parte central de la tapa de la impresora a ambos lados. Sujetar la cubierta superior puede provocar que se abra.



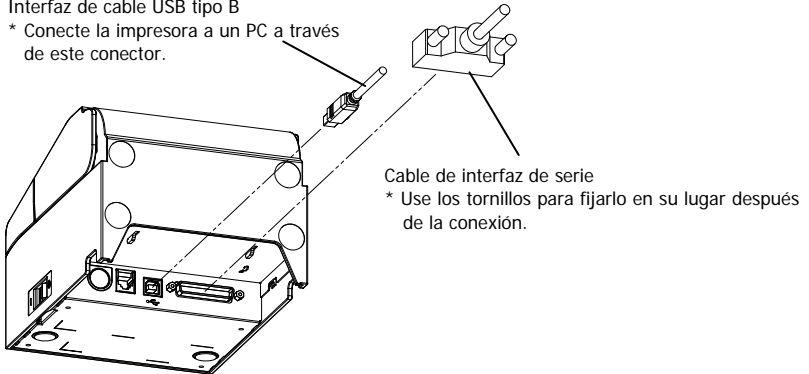
4-1. Conexión del cable de interfaz (a la impresora)

4-1-1 Impresoras con interfaces serie y USB

Modelo estándar

Interfaz de cable USB tipo B

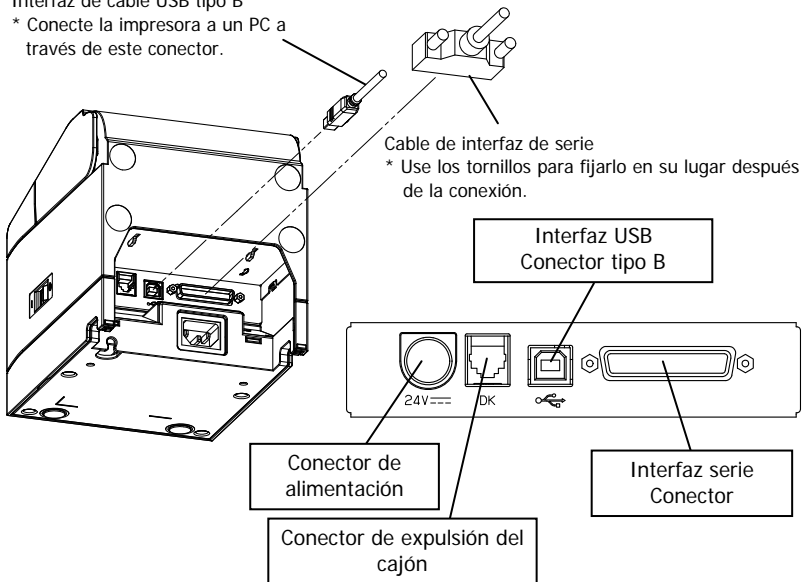
* Conecte la impresora a un PC a través de este conector.



Modelo con fuente de alimentación incorporada

Interfaz de cable USB tipo B

* Conecte la impresora a un PC a través de este conector.



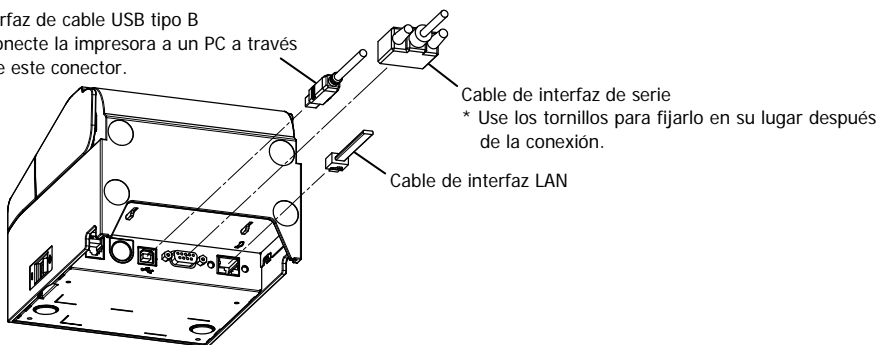
⚠ Precaución: No conecte las dos interfaces, la serie y la USB al mismo tiempo.

4-1-2 Impresoras con interfaces serie, USB y LAN

Modelo estándar

Interfaz de cable USB tipo B

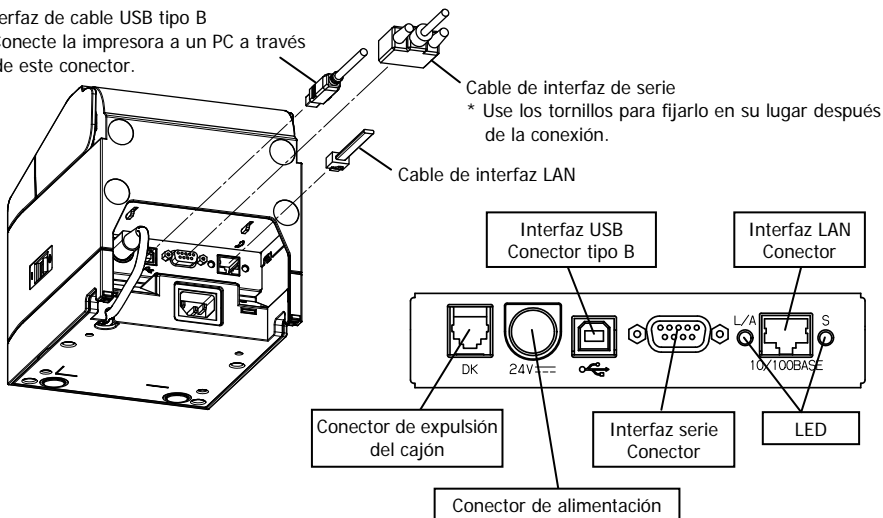
* Conecte la impresora a un PC a través de este conector.



Modelo con fuente de alimentación incorporada

Interfaz de cable USB tipo B

* Conecte la impresora a un PC a través de este conector.

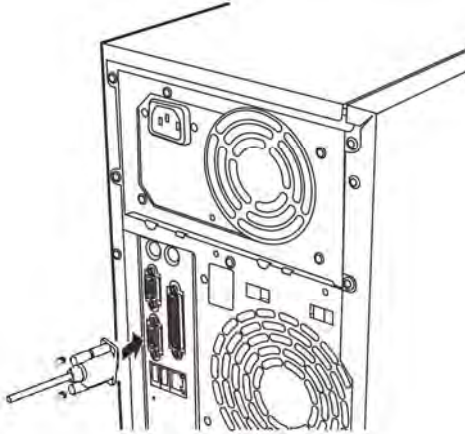


- ⚠ **Precaución:** No conectar las interfaces de múltiples al mismo tiempo.
- ⚠ **Precaución:** Aunque esta impresora admite 3 interfaces diferentes, se entrega de fábrica establecida en la Configuración de LAN; por tanto, si pretende utilizar las interfaces USB o serie, asegúrese de cambiar la configuración antes de su uso. Para obtener más información acerca de cómo cambiar los valores de configuración, consulte "9-4. Valores de configuración de LAN".

4-2. Conexión del cable de interfaz (al PC)

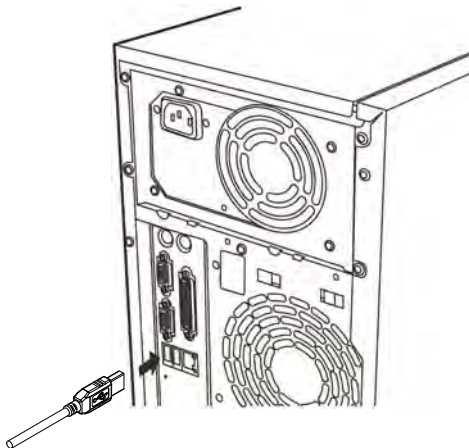
4-2-1 Interfaz serie

- (1) Conecte el conector del cable de interfaz serie al puerto serie del ordenador, como se muestra en la figura.



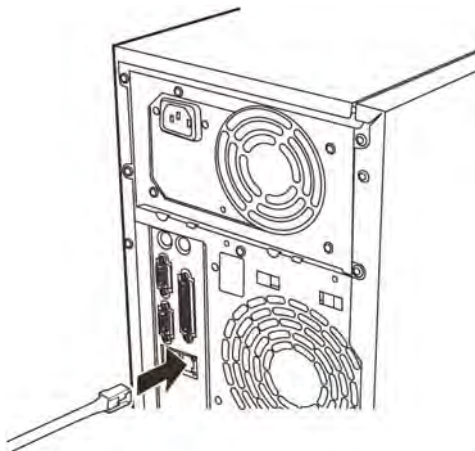
4-2-2 Interfaz USB

- (1) Conecte el conector del cable de interfaz USB al puerto USB del ordenador, como se muestra en la figura.



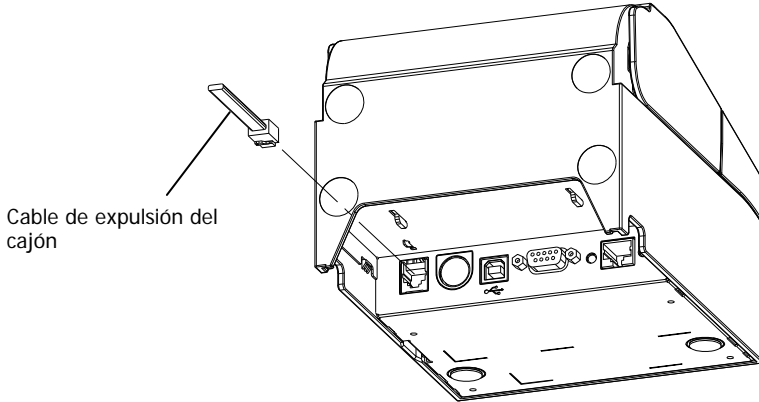
4-2-3 Interfaz LAN

- (1) Conecte el conector del cable de interfaz LAN al puerto LAN del ordenador, como se muestra en la figura.

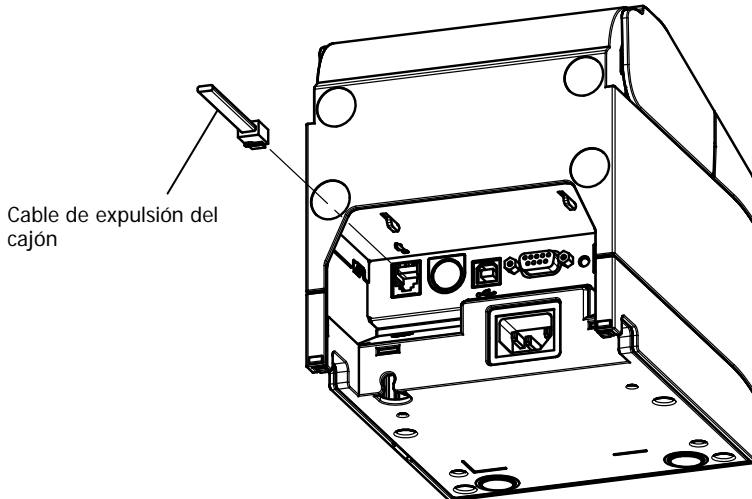


4-3. Conexión del cable de expulsión del cajón

Modelo estándar



Modelo con fuente de alimentación incorporada

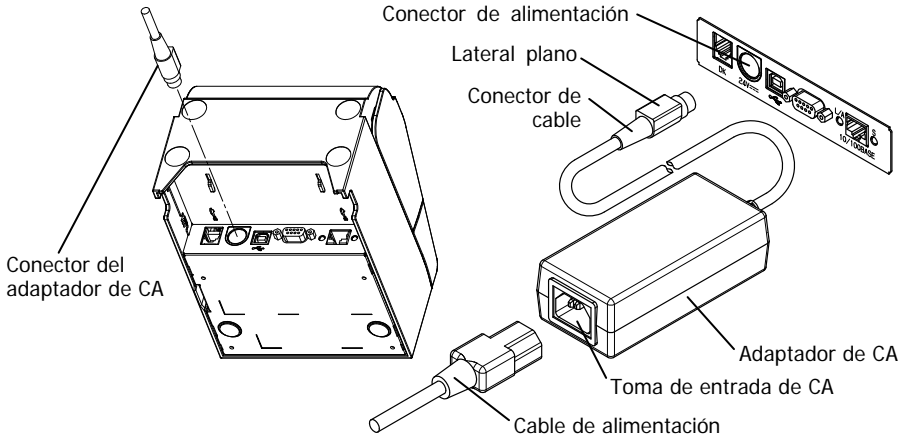


⚠ Precaución: Este producto utiliza un conector modular específico para la caja registradora. No trate de usar otros tipos de conectores como los conectores de telefonía.

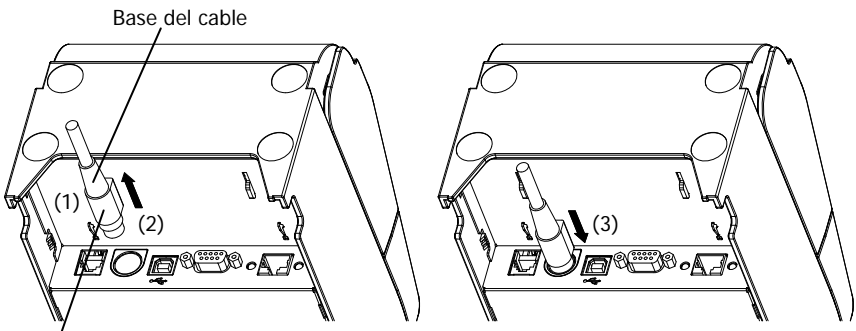
4-4. Conexión del adaptador y el cable de CA

Modelo estándar

(1) Enchufe el conector del cable del adaptador de CA al conector de alimentación.

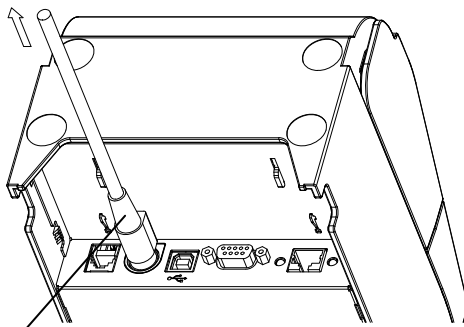


- ⚠ **Precaución:** Antes de conectar el adaptador de CA, apague los interruptores de alimentación de la impresora y todos los dispositivos conectados a la impresora. Además, quite el enchufe del cable de alimentación del adaptador de CA de la toma.
- ⚠ **Precaución:** Utilice el adaptador de CA especificado.
- ⚠ **Precaución:** Realice la conexión del adaptador con el dispositivo colocado verticalmente para facilitar la operación.
- ⚠ **Precaución:** Como el conector se recorta un poco después de la inserción para evitar que se caiga, cuando realice la inserción, (1) agarre la base del cable con una mano, (2) deslice hacia arriba la parte exterior del conector con la otra mano (3) y presione hasta que encaje en su lugar.



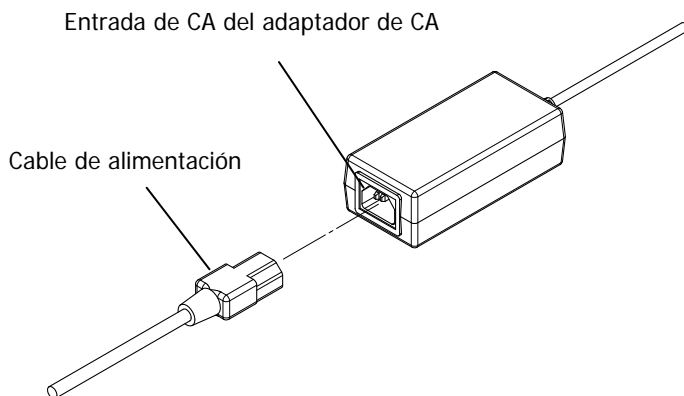
Sección exterior del conector

- (2) Confirme que el cable esté en su sitio tirando suavemente de la base del cable tras su conexión.



Sección de la base del cable

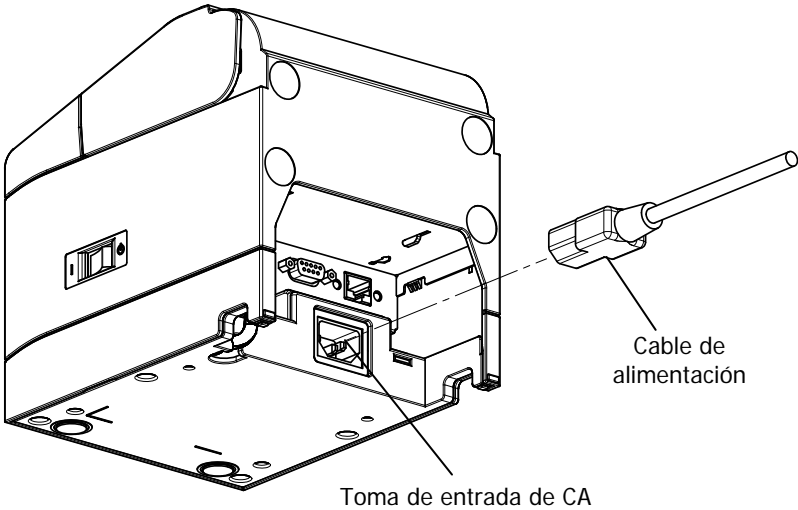
- (3) Enchufe el conector de alimentación a la toma de entrada de CA del adaptador de CA.



- (4) Inserte la clavija del cable de alimentación en la toma.

Modelo con fuente de alimentación incorporada

(1) Enchufe el conector de alimentación a la toma de CA.

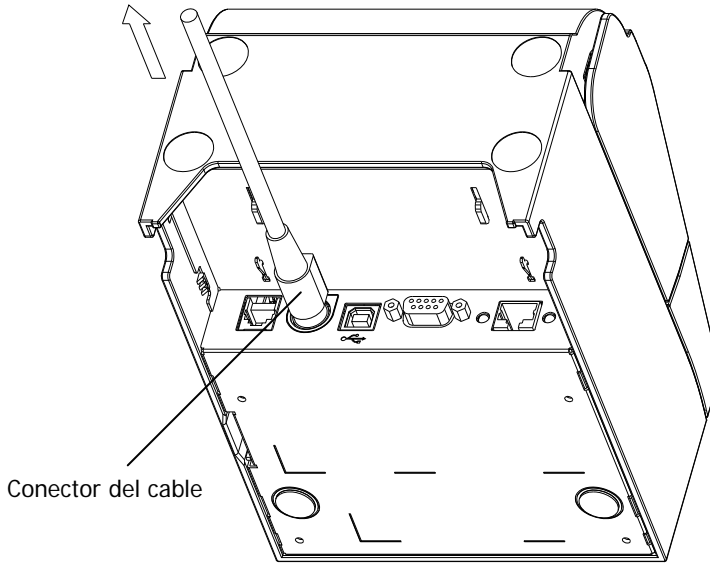


- ⚠ Precaución:** Antes de conectar el cable de alimentación, apague los interruptores de alimentación de la impresora y todos los dispositivos conectados a la misma. Además, extraiga de la toma el enchufe del cable de alimentación.
- ⚠ Precaución:** Realice la conexión del cable de alimentación con el dispositivo colocado verticalmente para facilitar la operación.
- ⚠ Precaución:** Si el dispositivo está instalado en posición vertical, utilice un cable de alimentación en ángulo recto.

(2) Inserte la clavija del cable de alimentación en la toma.

4-5. Extracción del adaptador de CA

Para quitar el cable del adaptador de CA, tire del mismo mientras sujeta la sección del conector en el lado del cable como se muestra en la siguiente figura. El bloqueo se libera, facilitando la extracción. Forzar el cable puede dañar la sección del conector.



- ⚠ **Precaución:** Antes de extraer el adaptador de CA, apague los interruptores de alimentación de la impresora y todos los dispositivos conectados a la misma. Además, quite el enchufe del cable de alimentación del adaptador de CA de la toma.
- ⚠ **Precaución:** Realice la extracción del adaptador con el dispositivo colocado verticalmente para facilitar la operación.

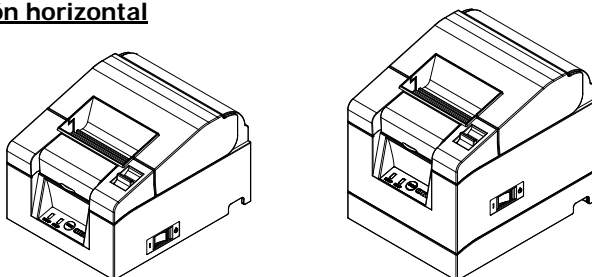
4-6. Instalación de la impresora

Se puede realizar tanto una instalación horizontal (la salida del papel se encuentra en la parte superior) como vertical (la salida del papel se encuentra en la parte frontal).

En el caso de instalación vertical, colocar la cubierta opcional a prueba de salpicaduras puede proteger la impresora de agua.

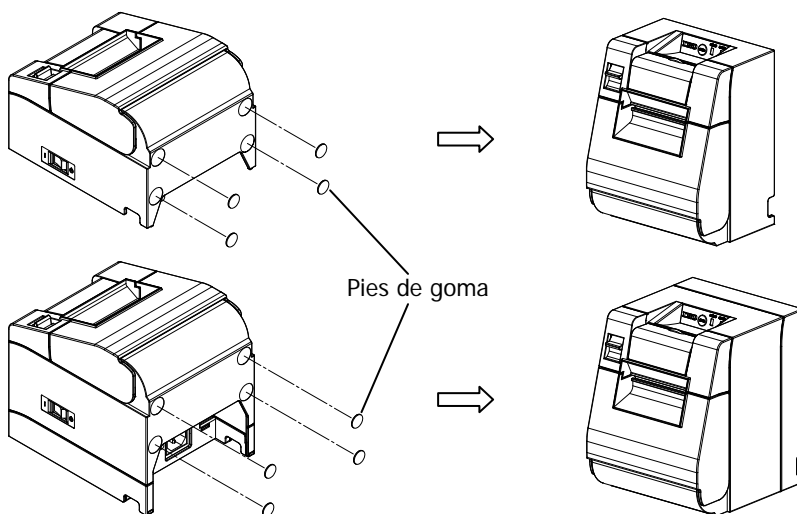
La impresora también puede fijarse a la pared utilizando el soporte opcional de instalación en pared.

Instalación horizontal



Instalación vertical

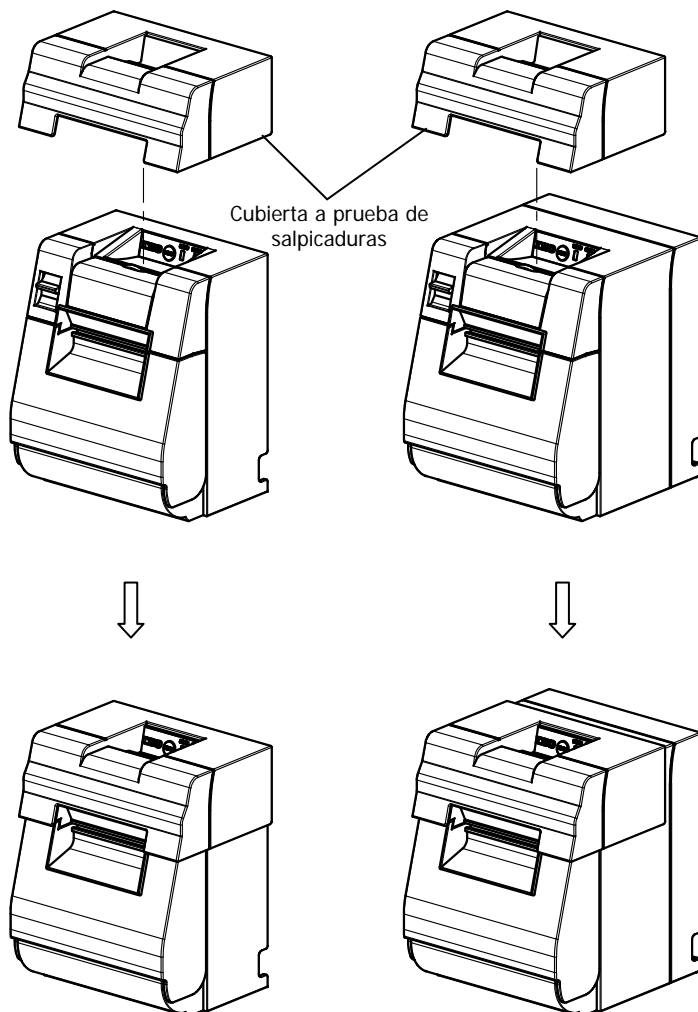
Si la impresora se instala verticalmente, pegue los pies de goma en los huecos redondos de la cubierta posterior de la impresora.



⚠ Precaución: Antes de pegar en los pies de goma, limpie la suciedad del interior de los huecos.

Cubierta a prueba de salpicaduras (opcional)

Monte la cubierta a prueba de salpicaduras en la parte superior cuando la impresora está instalada verticalmente.

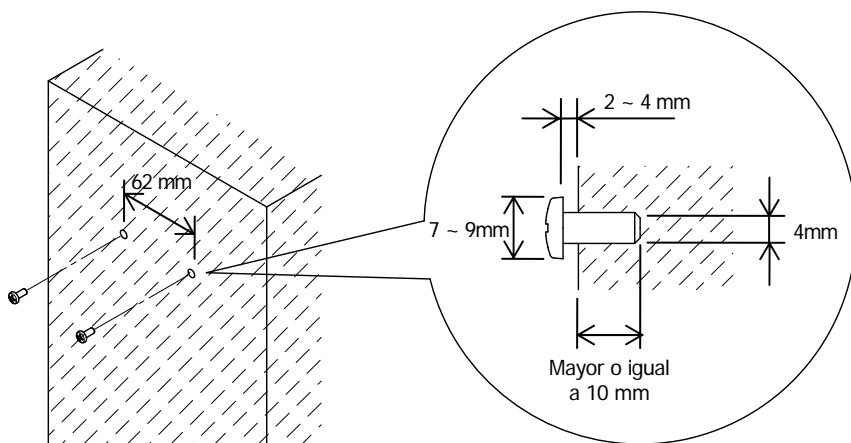


⚠ Precaución: La cubierta a prueba de salpicaduras sólo se utiliza para la instalación vertical.

Soporte de instalación en pared (opcional)

Para instalar la impresora en la pared, siga el procedimiento que se indica a continuación:

- (1) Monte dos tornillos metálicos (diámetro de rosca: \varnothing 4 mm, diámetro de cabeza: \varnothing 7 mm) en la pared, con 62 mm de separación entre sí en una línea horizontal, de tal manera que la longitud de cada tornillo de penetre en la pared sea al menos de 10 mm y la longitud que sobresalga por fuera sea de 2-4 mm.

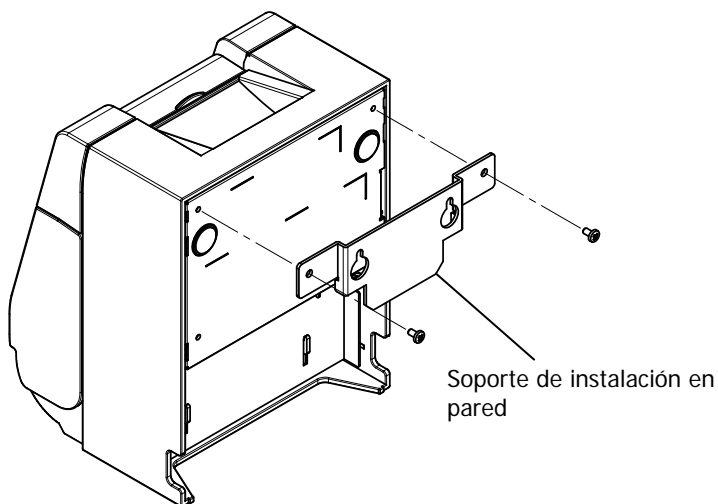


⚠ Precaución: Con el fin de fijar firmemente la impresora, instale el soporte para colgar en la pared en una pared de hormigón, madera o metal. Se recomienda que el espesor de la pared sea de 10 mm o más. Use tornillos metálicos.

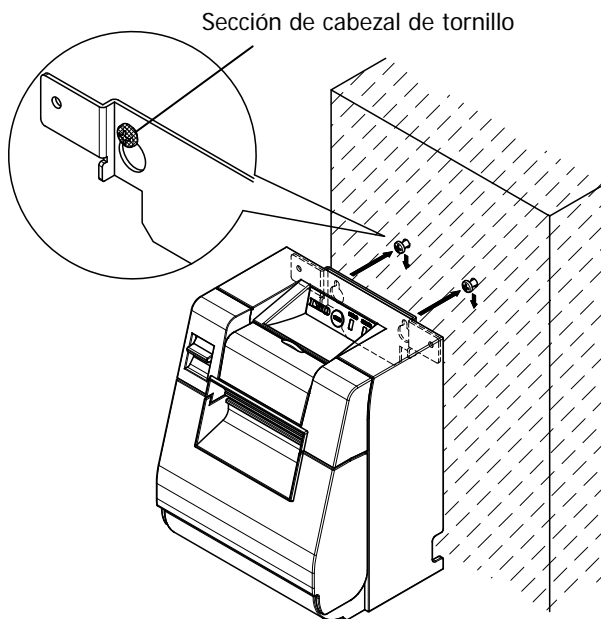
Es necesario que los tornillos de montaje en la pared tengan una fuerza de arranque de 150 N (15,3 kgf) o más.

⚠ Precaución: El soporte de instalación en pared puede utilizarse únicamente para impresoras que utilicen un adaptador de CA externo (modelo estándar).

- (2) Acople el soporte de instalación en pared a la impresora y fijelo bien con los tornillos incluidos.



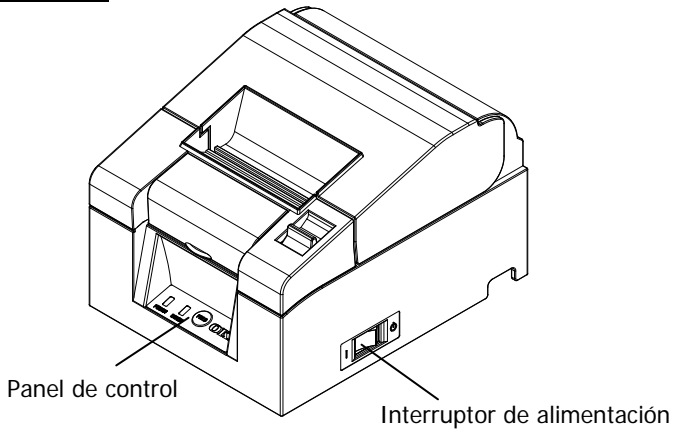
- (3) Alinee los agujeros del soporte de instalación en pared con los tornillos montados en la pared y cuelgue la impresora de forma segura.



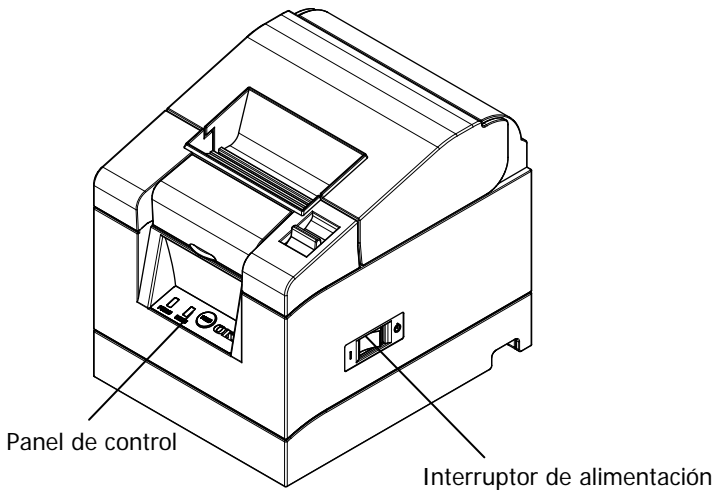
4-7. Encendido

- (1) Conecte el cable de alimentación según el apartado 4-4 previo.
- (2) Encienda el interruptor de alimentación en el lateral de la impresora.
Después de conectar la alimentación, el testigo luminoso POWER del panel de control se iluminará.

Modelo estándar



Modelo con fuente de alimentación incorporada



4-8. Instalación del software de la impresora

Consulte la "Installation Guide" (Guía de instalación) (*1) del CD incluido para obtener instrucciones sobre la instalación del driver de la impresora y el software.

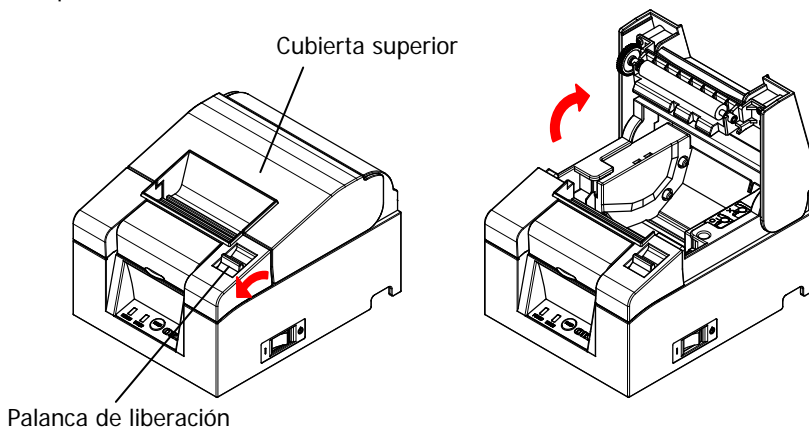
*1: \Manuals\PT340-341_InstallGuide_en.pdf

La guía "Installation Guide" (Guía de instalación) también puede consultarse cargando el CD en la unidad correspondiente del ordenador y seleccionando "Manuals" en la pantalla "Setup" que aparece.

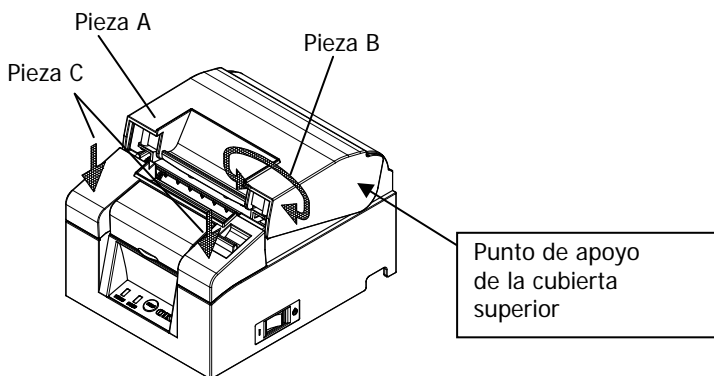
5. Colocación del papel

5-1. Apertura de la tapa superior

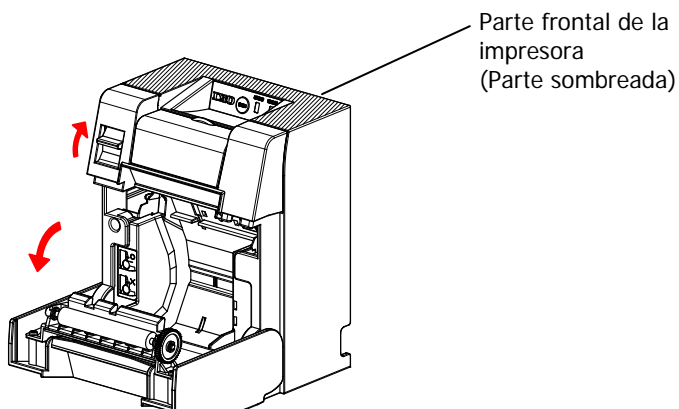
- (1) Tire de la palanca de liberación en la dirección de la flecha y luego abra la tapa superior.



- ⚠ Precaución:** Levante la cubierta hasta que esté en posición vertical para que se mantenga abierta.



- ⚠ Precaución:** Para abrir la tapa o cubierta, utilice cualquiera de los lados de la pieza C para mantener la impresora estable y la pieza A o B para levantar la tapa. Para evitar que los dedos queden atrapados, no toque la zona que rodea la bisagra de la tapa superior.



⚠ Precaución: Al usar la impresora en posición vertical, establezca la parte frontal de la impresora (la parte sombreada de la imagen de arriba) para abrir la cubierta superior.

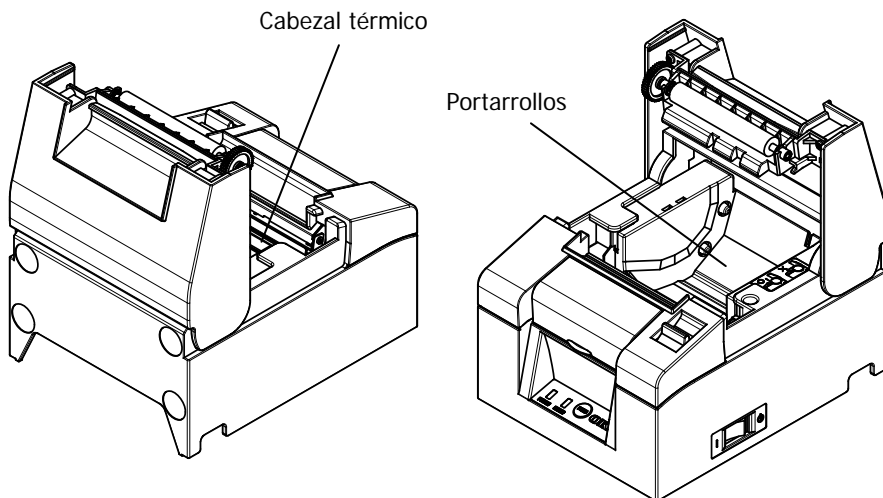
5-2. Valor de configuración del ancho del papel (Ancho: 58 mm/80 mm)

Como el valor de configuración de fábrica para el ancho de papel es de 80 mm, siga las instrucciones de "5-3. Colocación del papel" para reponer el rollo de papel cuando se usa papel de 80 mm.

Cuando utilice papel de 58 mm, acople en primer lugar el separador de acuerdo con las instrucciones de "5-2-1. Instalación del separador", y luego reponga el rollo de papel.

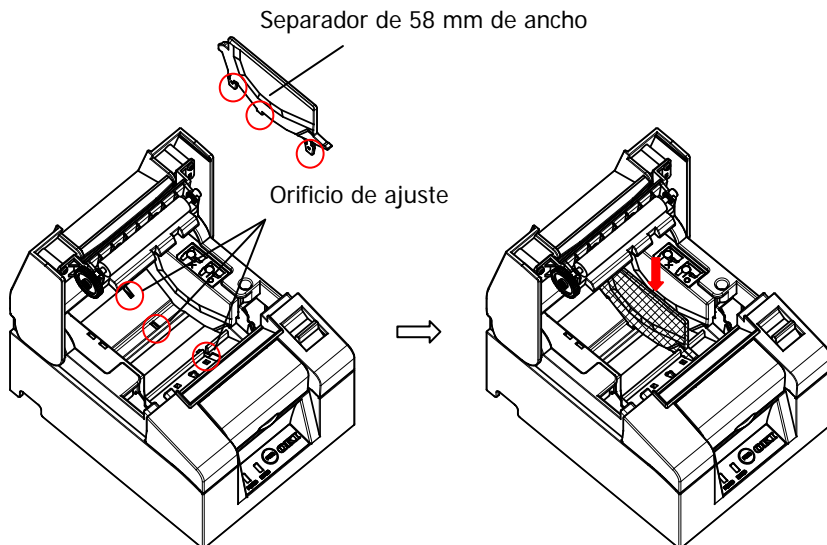
Además, siga las instrucciones de "9-2. Cambio de la configuración" para establecer el ancho del papel "Paper Width" en el valor de configuración de la impresora "58mm/35columns" o "58mm/32columns".

- ⚠ **Precaución:** No cambie el papel de 58 mm por papel de 80 mm durante el curso de la impresión. Cuando utilice papel estrecho, una parte del cabezal térmico puede entrar en contacto directo con el rodillo sin que haya papel. Esto provoca el desgaste del cabezal, lo que produce, a su vez, una calidad de impresión deficiente. Además, como la cuchilla también trabaja en los tramos sin papel, la cuchilla puede desgastarse, originando malos cortes.
- ⚠ **Precaución:** Como el cabezal térmico puede ser dañado por la electricidad estática, no toque el cabezal térmico, excepto para la limpieza.



5-2-1 Instalación del separador

- (1) Alinee las tres lengüetas del separador de 58 mm suministrado con los correspondientes orificios en el cuerpo de la impresora, a continuación, empuje hasta que encajen en su sitio.



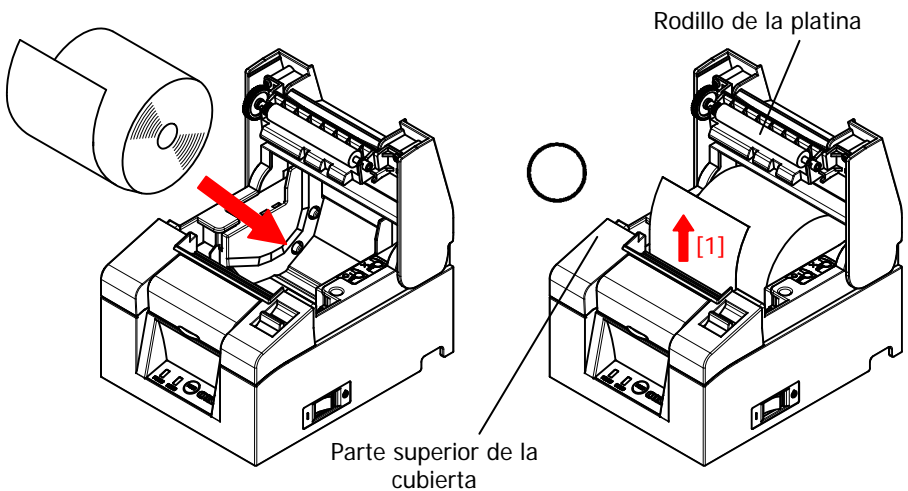
- ⚠ **Precaución:** Empuje la placa hasta que encaje con un clic y confirme que la parte superior del separador esté en horizontal.
- ⚠ **Precaución:** Al mover el separador, siga las instrucciones de la sección Modo especial para establecer la anchura del papel y alinearlos con el área de impresión. (Consulte el Modo especial 9: 9-2. Cambio de la configuración.)

5-3. Colocación del papel

- (1) Si se trata de un nuevo rollo de papel, quite la parte pegada y la cinta adhesiva. Cuando vuelva a colocar el rollo de papel, retire primero la base de papel viejo.

⚠ Precaución: Como la parte pegada del papel no se debe imprimir, extraiga alrededor de una vuelta (unos 30 cm) del principio del rollo de papel para garantizar que no quede pegamento. El adhesivo u otros restos de cola pueden adherirse al cabezal térmico y causar un problema, como espacios vacíos en las impresiones. Por lo tanto, no se olvide de quitar la parte pegada del papel.

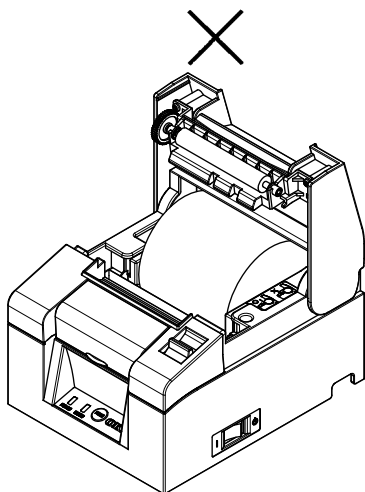
- (2) Después de insertar el nuevo rollo de papel con la orientación que se muestra, tire del extremo del papel en la dirección indicada por la flecha [1].



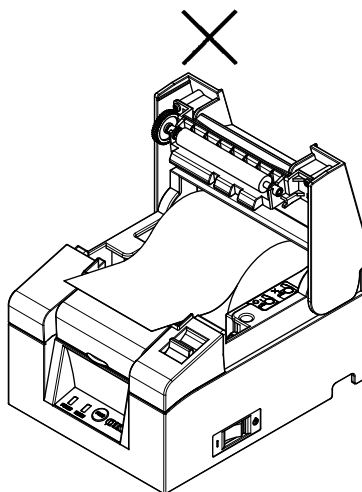
⚠ Precaución: Tire del extremo del papel para que pase por encima de la cubierta.

⚠ Precaución: No dañe ni abolle el rodillo de la platina. Las abolladuras del rodillo provocarán huecos en la impresión y/o fallos en el avance de la línea.

⚠ Precaución: Colocar el papel como se muestra en las figuras siguientes puede producir atascos de papel o de la impresión.



El papel no pasa por la parte superior de la cubierta.



El papel se ha colocado mal.

⚠ Precaución: No utilice el papel de un rollo deformado. El uso de rollos como los que aparecen a continuación puede causar problemas como atascos de papel o de la impresión.

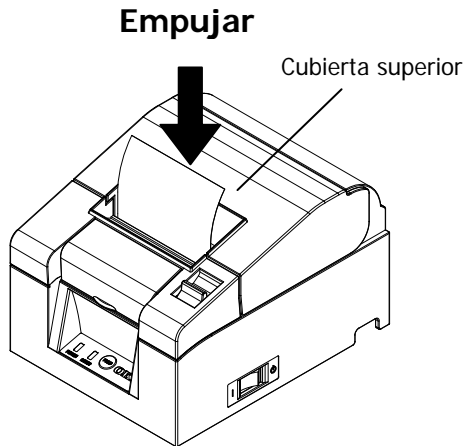


⚠ Precaución: Si el rollo de papel se suelta (se afloja), como se muestra a continuación, elimine la holgura antes de usar el rollo. El uso de papel flojo puede provocar atascos de papel o de la impresión, o un fallo en la detección de que el papel está próximo a acabarse.

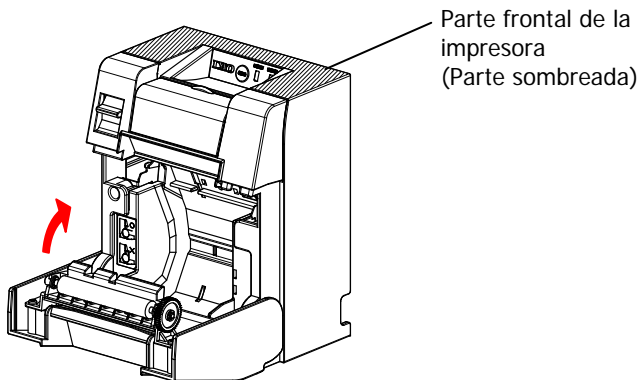


5-4. Cierre de la tapa superior

Coloque el papel correctamente y cierre con cuidado la cubierta superior.



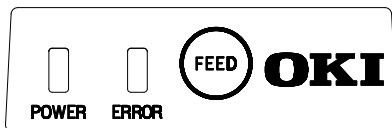
- ⚠ **Precaución:** Coloque el papel correctamente. El cierre de la cubierta superior con el papel torcido puede provocar un atasco de papel o una impresión sucia.
- ⚠ **Precaución:** Al cerrar la cubierta superior, ciérrela firmemente presionando en torno a la posición central (indicada por la flecha en la figura) hasta que escuche un sonido de clic. Si la tapa no ha encajado en su sitio, es posible que la impresora no funcione.



- ⚠ **Precaución:** Si la impresora se monta en posición vertical, establezca la parte frontal de la impresora (la parte sombreada de la imagen de arriba) cuando abra la cubierta superior.

6. Panel de control

6-1. Panel de control



Testigo POWER (●)

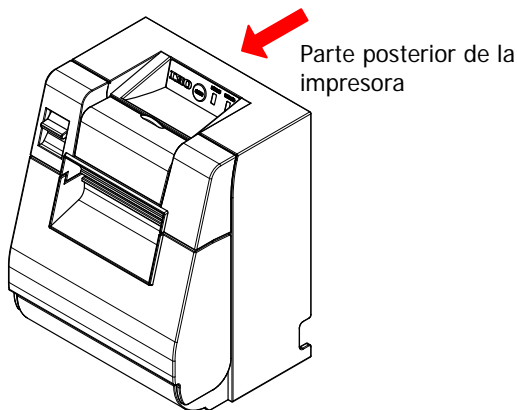
Este testigo se ilumina si el interruptor de alimentación está encendido y la impresora enchufada a la red eléctrica.

Testigo ERROR (●)

Esta luz se enciende o parpadea para indicar un error.

Botón FEED

Al pulsar este botón una vez, la impresora hace avanzar el papel una línea. Si se mantiene pulsado, el papel avanza de forma continua.



⚠ Precaución: Si la impresora está montada verticalmente, sostenga siempre la parte posterior de la impresora al pulsar el botón de alimentación FEED para mantener la impresora estable y evitar que se caiga.

6-2. Indicaciones de error

Errores recuperables

Estado de error	Testigo LED	Patrón de parpadeo
No hay papel	POWER (●)	Constantemente encendido
Final del papel	ERROR (●)	Constantemente encendido
Cubierta abierta	POWER (●)	Constantemente encendido
	ERROR (●)	Constantemente encendido
Atasco de cuchilla	POWER (●)	Constantemente encendido
	ERROR (●)	Constantemente encendido

Estado de error	Testigo LED	Patrón de parpadeo
Papel próximo al final	POWER (●)	Constantemente encendido
	ERROR (●)	
Cabezal caliente	POWER (●)	
	ERROR (●)	● Se mantiene sin cambios.

Errores irrecuperables

Estado de error	Testigo LED	Patrón de parpadeo
Error interno	POWER (●)	—●—●—
	ERROR (●)	●—————
		Repetición de dos parpadeos del testigo ● y un parpadeo del testigo ●
Cabezal sin instalar	POWER (●)	—●—●—●—
	ERROR (●)	●—————
		Repetición de tres parpadeos del testigo ● y un parpadeo del testigo ●
Baja tensión	POWER (●)	—●—●—●—●—
	ERROR (●)	●—————
		Repetición de cuatro parpadeos del testigo ● y un parpadeo del testigo ●
Sobretensión	POWER (●)	—●—●—●—●—●—
	ERROR (●)	●—————
		Repetición de cinco parpadeos del testigo ● y un parpadeo del ● testigo
Error del temporizador del mecanismo de vigilancia	POWER (●)	—●—●—●—●—●—●—●—
	ERROR (●)	●—————
		Repetición de ocho parpadeos del testigo ● y un parpadeo del ● testigo
Error de Flash ROM de SPI	POWER (●)	—●—●—●—●—●—●—●—●—
	ERROR (●)	●—————
		Repetición de nueve parpadeos del testigo ● y un parpadeo del testigo ●

7. Prevención y eliminación de atascos de papel

7-1. Prevención de atascos de papel

No toque el papel mientras esté saliendo o antes de completar el corte. Empujar o tirar del papel con la mano mientras está saliendo podría causar un atasco de papel, un mal corte o un avance de línea erróneo.

7-2. Eliminación de atascos de papel

En caso de un atasco de papel, retire el papel de la siguiente manera:

- (1) Apague el interruptor de alimentación para desconectar la impresora de la red eléctrica.
- (2) Tire de la palanca de liberación hacia usted y abra la cubierta superior. Si la tapa no se abre, consulte las instrucciones de "7-3. Si la cubierta superior no se abre" para eliminar el atasco de la cuchilla.
- (3) Presione la impresora y retire el papel atascado.

⚠ Precaución: Al retirar el papel, hágalo lentamente sin tirar de él con fuerza.

⚠ Precaución: Como el cabezal térmico puede ser dañado por la electricidad estática, no toque el cabezal térmico. Además, no toque el cabezal térmico, ya que aún puede estar caliente después de la impresión.

- (4) Coloque el papel correctamente y cierre con cuidado la tapa superior.

⚠ Precaución: Coloque el papel correctamente. El cierre de la cubierta superior con el papel torcido puede provocar un atasco de papel o una impresión sucia.

⚠ Precaución: Al cerrar la cubierta superior, ciérrela firmemente presionando en torno a la posición central hasta que escuche un sonido de clic. Si la tapa no ha encajado en su sitio, es posible que la impresora no funcione.

- (5) Encienda el interruptor de alimentación para conectar la impresora a la red eléctrica. Además, en este momento confirme que el testigo ERROR se haya apagado.

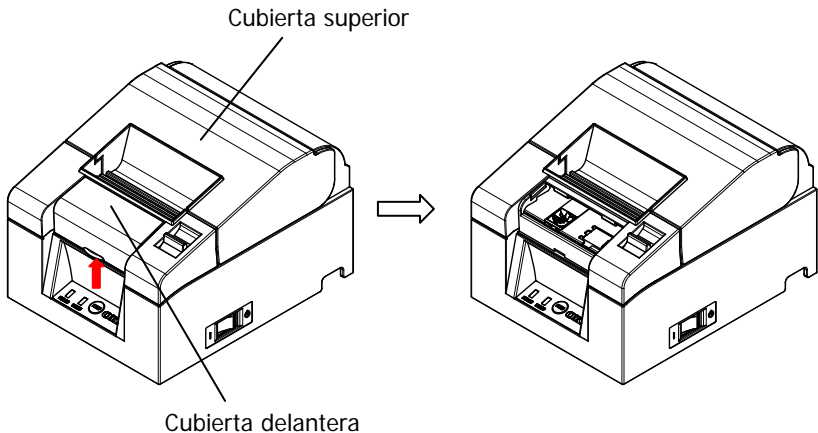
⚠ Precaución: Como los datos de impresión no se pueden recibir mientras el testigo de ERROR esté encendido, cierre bien la cubierta superior.

7-3. Si la cubierta superior no se abre

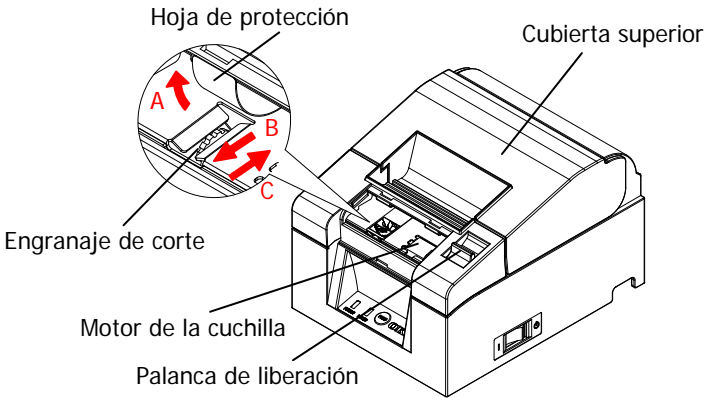
Cuando la impresora se ha detenido con la cuchilla expuesta debido a alguna anomalía, como un atasco de papel, la tapa no se abre.

En tal caso, en lugar de abrir a la fuerza, realice los pasos siguientes:

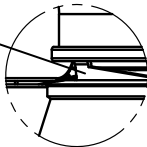
- (1) Apague el interruptor de alimentación para desconectar la impresora de la red eléctrica.
- (2) Encienda de nuevo la alimentación. Esto hace que la cuchilla funcione y pueda eliminar el atasco de papel.
- (3) Tire de la palanca de liberación hacia usted y compruebe que se abra la cubierta superior. Si es así, desconecte la alimentación de nuevo y siga las instrucciones del paso (6) para eliminar el atasco de papel.
Si la cubierta superior sigue sin poder abrirse después de conectar la alimentación eléctrica, apague de nuevo y siga las instrucciones desde el paso (4) para eliminar el atasco de papel.
- (4) Retire la cubierta frontal, levántela como indica la flecha.



- (5) Levante la hoja de protección según lo indicado por la flecha A y rote el engranaje de corte en la dirección indicada por la flecha B mientras tira de la palanca de liberación hacia usted.
- Si la hoja de la cuchilla automática no se mueve a pesar de haber girado el engranaje de corte y la cubierta superior sigue sin abrirse, tire de la palanca de liberación hacia usted y gire el engranaje de corte en la dirección opuesta (indicada por la flecha C) hasta que la cubierta superior pueda abrirse.

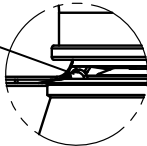


La hoja de la cuchilla automática sobresale

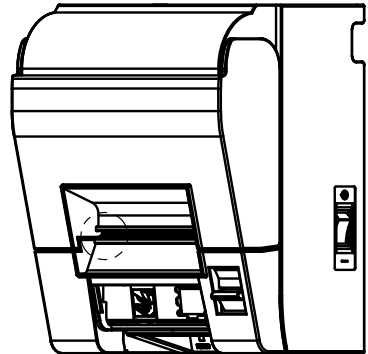


La cubierta superior no se puede abrir

La hoja de la cuchilla automática se retrae



La cubierta superior se puede abrir



- ⚠ **Precaución:** No toque el motor de la cuchilla, ya que aún puede estar caliente después de la impresión.
- ⚠ **Precaución:** No toque la cuchilla automática, ya que el extremo de la hoja está afilado y es peligroso.
- ⚠ **Precaución:** Si no puede abrir la cubierta superior mientras el engranaje de la cuchilla gira en cualquier dirección, llame al servicio de mantenimiento.

(6) Abra la cubierta superior y retire el papel atascado mientras mantiene la impresora estable.

⚠ Precaución: Al retirar el papel, hágalo lentamente sin tirar de él con fuerza.

⚠ Precaución: Como el cabezal térmico puede ser dañado por la electricidad estática, no toque el cabezal térmico. Además, no toque el cabezal térmico, ya que aún puede estar caliente después de la impresión.

(7) Coloque el papel correctamente y cierre con cuidado la tapa superior.

⚠ Precaución: Coloque el papel correctamente. El cierre de la cubierta superior con el papel torcido puede provocar un atasco de papel o una impresión sucia.

⚠ Precaución: Al cerrar la cubierta superior, ciérrela firmemente presionando en torno a la posición central hasta que escuche un sonido de clic. Si la tapa no ha encajado en su sitio, es posible que la impresora no funcione.

(8) Encienda el interruptor de alimentación y active la impresora. Además, en este momento confirme que el testigo ERROR se haya apagado.

⚠ Precaución: Como los datos de impresión no se pueden recibir mientras el testigo de ERROR esté encendido, cierre bien la cubierta superior.

8. Solución de problemas

En esta sección se ofrecen soluciones para fallos de funcionamiento de la impresora y problemas de calidad de impresión.

8-1. Problemas en el encendido y otros errores

Síntoma	Causa	Solución
Aunque esté activada la alimentación, el testigo POWER del panel de control no se enciende y la impresora no se inicia.	(1) El cable de alimentación está desconectado. (2) El adaptador de CA no está enchufado.	(1) Conecte el cable de alimentación. * Consulte el apartado 4-4. Conexión del adaptador y el cable de CA (2) Enchufe el conector del adaptador de CA. * Consulte el apartado 4-4. Conexión del adaptador y el cable de CA
El testigo de ERROR del panel de control se enciende y la impresora no funciona.	(1) El papel no está colocado. (2) La cubierta superior no está completamente cerrada. (3) El cabezal térmico está demasiado caliente.	(1) Coloque el papel. * Consulte el apartado 5. Colocación del papel (2) Cierre completamente la cubierta superior. * Consulte el apartado 5. Colocación del papel (3) Espere a que el cabezal térmico se enfríe.

8-2. Problemas de la cuchilla

Síntoma	Causa	Solución
El papel no se corta.	(1) La hoja de la cuchilla está dañada o desgastada. (2) Fragmentos de papel u otros cuerpos extraños se pegan alrededor de la cuchilla o de la sección de deslizamiento.	(1) Desconecte la alimentación y solicite asistencia técnica. (2) Retire los fragmentos de papel o cuerpos extraños.
La cuchilla no vuelve a su posición correcta.	Fragmentos de papel u otros cuerpos extraños se pegan alrededor de la cuchilla o de la sección de deslizamiento.	Retire los fragmentos de papel o cuerpos extraños.

8-3. Problemas de impresión

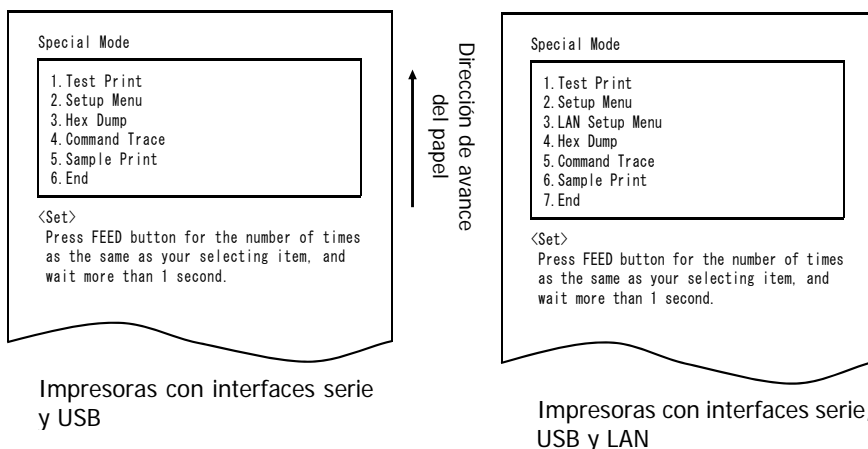
Sintoma	Causa	Solución
La impresora no imprime.	<p>(1) El cable de la interfaz está desconectado o roto.</p> <p>(2) La configuración de la impresora no es correcta.</p>	<p>(1) Conecte el cable de interfaz correctamente o sustitúyalo. * Consulte el apartado 4-1. Conexión del cable de interfaz</p> <p>(2) Corrija la configuración. Ejemplo: Desajuste en velocidad de transmisión * Consulte el apartado 9-2,9-4. Cambio de la configuración.</p>
La impresión es demasiado oscura o borrosa.	<p>(1) La configuración de la densidad de impresión no es correcta.</p> <p>(2) El cabezal térmico está dañado.</p>	<p>(1) Configure la impresora con la densidad y/o la velocidad de impresión adecuadas para el papel de impresión. * Consulte el apartado 9-2. Cambio de la configuración.</p> <p>(2) Desconecte la alimentación y solicite asistencia técnica.</p>
La impresión es demasiado débil.	<p>(1) La configuración de la densidad de impresión no es correcta.</p> <p>(2) El cabezal térmico está dañado.</p>	<p>(1) Configure la impresora con la densidad y/o la velocidad de impresión adecuadas para el papel de impresión. * Consulte el apartado 9-2. Cambio de la configuración.</p> <p>(2) Desconecte la alimentación y solicite asistencia técnica.</p>
La impresión es desigual.	<p>(1) Fragmentos de papel u otros cuerpos extraños se pegan en los elementos calientes del cabezal térmico.</p> <p>(2) La configuración de la impresora no es correcta.</p> <p>(3) Cuerpos extraños se pegan en el rodillo.</p> <p>(4) El cabezal térmico está dañado.</p>	<p>(1) Revise y limpie el cabezal térmico. * Consulte el apartado 10-3. Limpieza del cabezal térmico</p> <p>(2) Configure la impresora con la densidad y/o la velocidad de impresión adecuadas para el papel de impresión. Corrija la configuración. * Consulte el apartado 9-2. Cambio de la configuración.</p> <p>(3) Retire los cuerpos extraños del rodillo. * Consulte el apartado 10-2. Limpieza del rodillo de la platina</p> <p>(4) Desconecte la alimentación y solicite asistencia técnica.</p>
Aparecen marcas verticales en la impresión.	<p>(1) Hay cuerpos extraños pegados o caídos en el recorrido del papel.</p> <p>(2) Cuerpos extraños se pegan en el cabezal térmico.</p> <p>(3) El cabezal térmico está dañado.</p>	<p>(1) Limpie el recorrido del papel. * Consulte el apartado 10-1. Limpieza del soporte del papel y su recorrido</p> <p>(2) Limpie el cabezal térmico. * Consulte el apartado 10-3. Limpieza del cabezal térmico</p> <p>(3) Desconecte la alimentación y solicite asistencia técnica.</p>

9. Modo especial (Test Print, Setup Menu...)

9-1. Prueba de impresión

Asegúrese de que el papel se encuentre en la impresora. Apague el interruptor de alimentación de la impresora, a continuación, vuelva a encenderlo mientras presiona el botón FEED del panel de control. Esto genera la siguiente impresión.

⚠ Precaución: Pulse y mantenga pulsado el botón FEED hasta que la impresora comience a imprimir.



Al pulsar el botón FEED **una vez** (se selecciona 1. Test Print) se inicia una prueba de impresión.

Automáticamente, la impresora corta el papel y se detiene después de realizar una cantidad fija de impresión. Para terminar la prueba de impresión mientras está en curso, pulse el botón FEED. Esto corta el papel y termina la impresión.

Test Print (Ejemplo)

El número y versión de firmware varían según el modelo.
 "123456" es un número de serie de ejemplo.

```

PT340-341 Ver1.0
123456

Memory Switch 1
Power On Status      Enable
Receive Buffer        4KByte
Busy Condition        Bufferfull
Receive Error        ?Print
Auto LF              Disable
DSR(#6)Reset         Disable
INIT(#25)Reset       Disable
USB Soft Reset       Enable

Memory Switch 2
Cover Open Error     Auto Recovery
Error                Auto Recovery
Batch (COM IF)       Enable
Batch (Other IF)     Disable
Serial Number        Disable
ASB                  Enable
Font-B               Model

Print
Paper Width          80mm/48columns
Max Speed            220mm/s
Print Density        100%

Hardware
Error Alert          None
Buzzer Interval      Pattern 2
Buzzer Repetition    Three
Graph/User NV-MEM    384KB/192KB
Cut at CoverClose    Disable
PNE Detect            Enable

Interface
Baudrate             115200BPS
Format                8NONE1
Protocol              DSR/DTR
USB                   Printer

! " # $ % & ' ( ) * + , - . / 0 1 2 3 4
5 6 7 8 9 : ; < = > ? @ A B C D E F G H I
J K L M N O P Q R S T U V W X Y Z [ \ ] ^
_ ~ a b c d e f g h i j k l m n o p q r s
    
```

Impresoras con interfaces serie
y USB

Direccion de avance del papel

```

PT340-341 Ver2.0
123456

Memory Switch 1
Power On Status      Enable
Receive Buffer        4KByte
Busy Condition        Bufferfull
Receive Error        ?Print
Auto LF              Disable
DSR(#6)Reset         Disable
USB Soft Reset       Enable

Memory Switch 2
Cover Open Error     Auto Recovery
Error                Auto Recovery
Batch (COM IF)       Enable
Batch (Other IF)     Disable
Serial Number        Disable
ASB                  Enable
Font-B               Model

Print
Paper Width          80mm/48columns
Max Speed            220mm/s
Print Density        100%

Hardware
Error Alert          None
Buzzer Interval      Pattern 2
Buzzer Repetition    Three
Graph/User NV-MEM    384KB/192KB
Cut at CoverClose    Disable
PNE Detect            Enable

Interface
Baudrate             115200BPS
Format                8NONE1
Protocol              DSR/DTR
USB                   Printer

LAN
Mac Address           [xx:xx:xx:xx:xx:xx]
root Password         "*****"
Printer Name          "PT340-341"
DHCP                  Enable
IP Address            192.168. 1. 1
Subnet Mask           255.255.255. 0
Default Gateway       0. 0. 0. 0

SNMP
Authentic Community   "*****"
Trap Community        "public"
Trap Address(IP)      0. 0. 0. 0
SysContact            ""
SysName               ""
SysLocation           ""
EnableAuthenTrap      Disable(2)

! " # $ % & ' ( ) * + , - . / 0 1 2 3 4
5 6 7 8 9 : ; < = > ? @ A B C D E F G H I
J K L M N O P Q R S T U V W X Y Z [ \ ] ^
_ ~ a b c d e f g h i j k l m n o p q r s
    
```

Impresoras con interfaces serie, USB y LAN

9-2. Cambio de la configuración

En esta sección se explica cómo configurar la impresora sin necesidad de utilizar un PC.

Como alternativa, si la impresora está conectada a un PC con Windows, la configuración se puede cambiar con la utilidad del CD adjunto.

Para obtener instrucciones sobre cómo instalar y utilizar la utilidad, consulte las guías "Installation Guide" (Guía de instalación) y "Utility User's Guide" (Guía de usuario de Utility) que se encuentran en la carpeta "Manuals" del CD.

- Guía de instalación : PT340-341_InstallGuide_en.pdf
- Guía de usuario de Utility : PT340-341_UtilityGuide_en.pdf

Las guías "Installation Guide" (Guía de instalación) y "Utility User's Guide" (Guía de usuario de Utility) también pueden consultarse cargando el CD en la unidad correspondiente del ordenador y seleccionando "Manuals" en la pantalla "Setup" que aparezca.

Ejemplo de configuración Seleccione una densidad de impresión superior

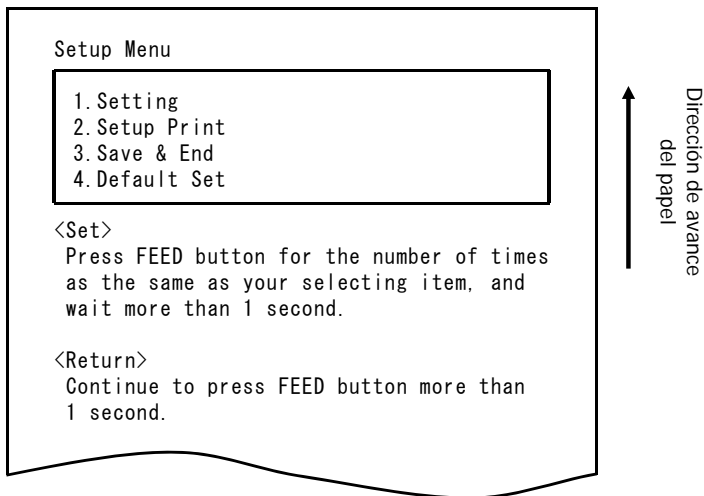
Densidad de impresión Cambiada del 100 al 130%

Realice la configuración de la siguiente manera:

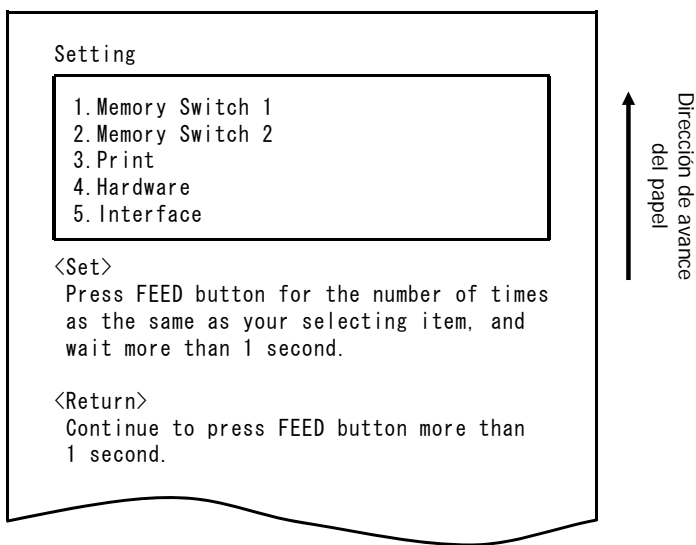
1. Compruebe el estado de la impresora antes de realizar el ajuste.
 - (1) La alimentación está desconectada.
 - (2) El rollo de papel está colocado.
 - (3) La tapa está cerrada.

2. Asegúrese de que el papel se encuentre en la impresora. Apague el interruptor de alimentación de la impresora, a continuación, vuelva a encenderlo mientras presiona el botón FEED del panel de control. Lo que genera la impresión que aparece en la sección 9-1.

Al pulsar el botón FEED **dos veces** (se selecciona 2. Setup Menu) se entra en el modo de configuración y se imprime el siguiente menú.



3. **Al pulsar** el botón FEED **una vez** (se selecciona 1. Setting) se entra en modo de ajuste y se imprimen los grupos de configuración siguientes.



4. **Al pulsar** el botón FEED **tres veces** (se selecciona 3. Print) se selecciona el grupo de impresión y se imprimen las siguientes opciones de configuración.

Print

1. Paper Width	80mm/48columns
2. Max Speed	220mm/s
3. Print Density	100%

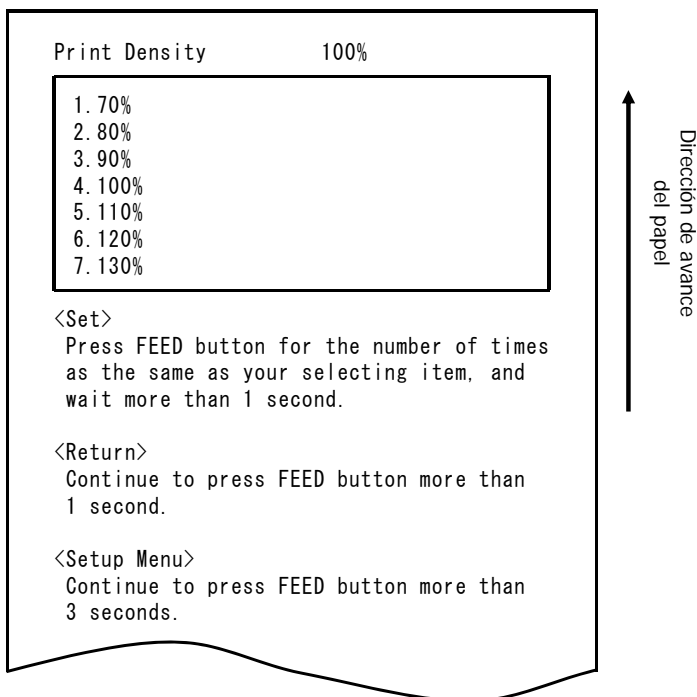
<Set>
Press FEED button for the number of times as the same as your selecting item, and wait more than 1 second.

<Return>
Continue to press FEED button more than 1 second.

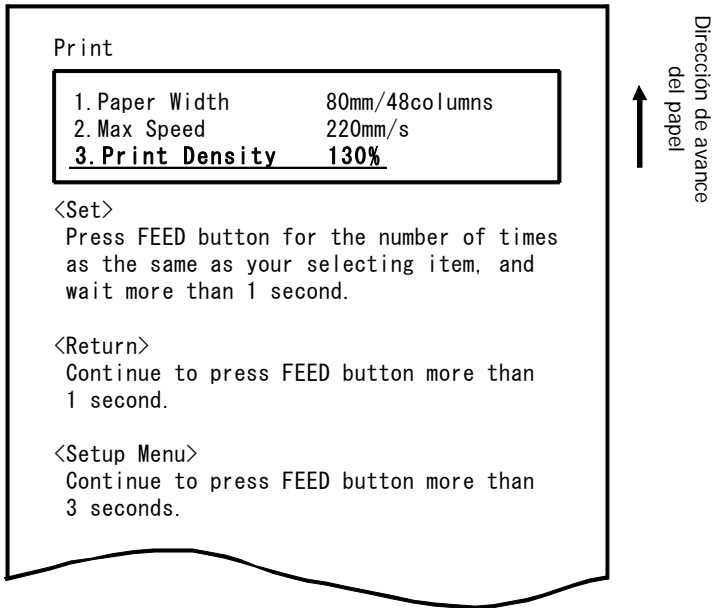
<Setup Menu>
Continue to press FEED button more than 3 seconds.

↑
Dirección de avance
del papel

5. **Al pulsar** el botón FEED **tres veces** (se selecciona 3.Print Density) se selecciona el ajuste de densidad de impresión y se imprimen los siguientes valores de configuración de la densidad de impresión.



6. **Al pulsar** el botón FEED **siete veces** (se selecciona 7. 130%) se vuelve al grupo de valores de configuración de impresión. Los valores cambiados aparecen en **negrita y subrayados**.



Para salir al nivel anterior (<Return>)

⇒ Vaya al apartado 7-1

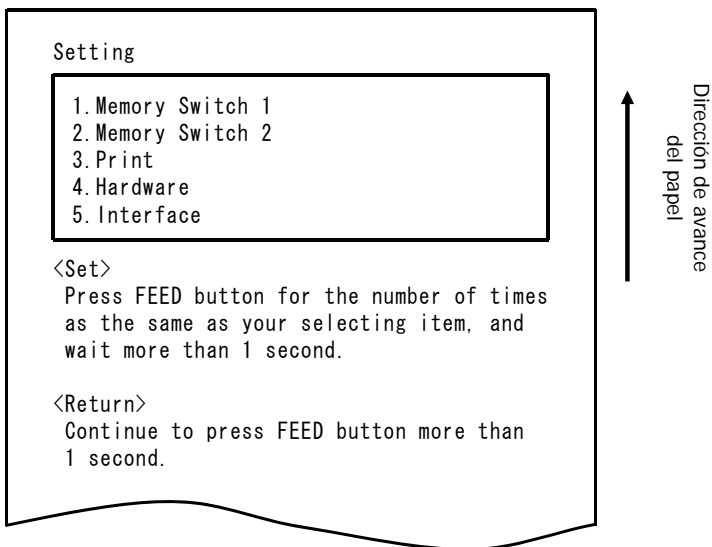
Para salir directamente al menú de configuración (<Setup Menu>)

⇒ Vaya al apartado 7-2

7-1. Salida al nivel anterior

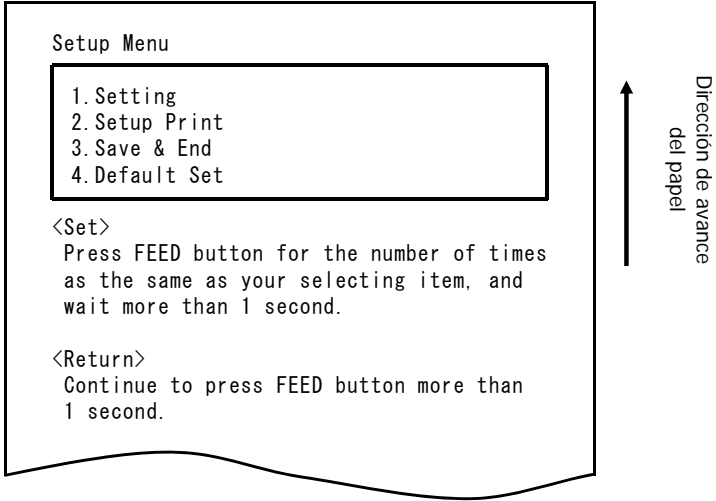
Pulse el botón FEED **1 segundo o más** hasta que el zumbador suene dos veces. Suelte el botón FEED después de la señal sonora.

Esto vuelve al nivel anterior y se imprime el grupo de opciones de configuración.



Pulse el botón FEED de nuevo **1 segundo o más** hasta que el zumbador suene dos veces. Suelte el botón FEED después de la señal sonora.

Esto vuelve al nivel anterior y se imprime el menú de configuración (Setup Menu).



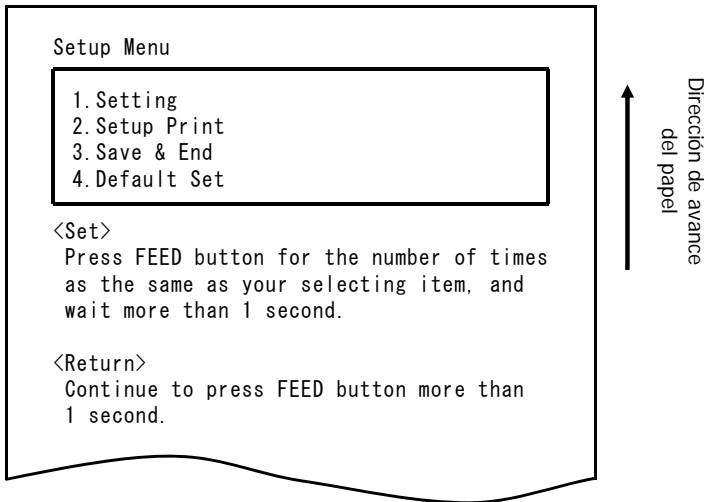
Continúe con el paso 8.

7-2. Salida directa al menú de configuración

Pulse el botón FEED **3 segundos o más** para volver al menú de configuración (Setup Menu).

Aunque pulsar el botón FEED mucho tiempo hace que el zumbador suene dos veces pasado el primer segundo, ignore esto y siga presionando el botón FEED.

Después de unos 3 segundos, el zumbador suena tres veces y se imprime el siguiente menú.



Continúe con el paso 8.

8. Al pulsar el botón FEED **tres veces** (se selecciona 3. Save & End) se guarda la configuración, se corta el papel y se sale del modo de configuración.

⚠ Precaución: **Si el interruptor de encendido de la impresora se apaga sin seleccionar "Save & End", los cambios realizados no se guardarán.**

- **Comprobación de los valores de configuración**
Para comprobar que se han aplicado los valores de configuración, siga las instrucciones del apartado 9.1 para llevar a cabo una prueba de impresión. La impresión de prueba incluye una lista de valores de configuración de la impresora. Utilicela para confirmar los cambios.

9-3. Setup Settings (Valores de configuración)

Grupos de valores de configuración

Grupo de valores de configuración		Descripción
1	Memory Switch 1	Valores de configuración del interruptor de memoria 1
2	Memory Switch 2	Valores de configuración del interruptor de memoria 2
3	Print	Valores de configuración de impresión
4	Hardware	Valores de configuración de hardware
5	Interface	Valores de configuración de la interfaz serie y USB (Este grupo no aparece en las impresoras con interfaz LAN.)

Elementos de configuración y detalles

(Nota) Los elementos de configuración y los valores predeterminados dependen del modelo de impresora y/o del área.

(1) Memory Switch 1 Group (Grupo Memory Switch 1)

Elemento		Descripción	Valor de configuración	
1	Power On Status	Especifica la notificación de encendido.	1 2	Enable (activado) Disable (desactivado)
2	Receive Buffer	Especifica el tamaño de búfer del receptor.	1 2	45bytes 4Kbytes
3	Busy Condition	Define la impresora como BUSY (ocupada) (recepción de datos no disponible).	1 2	Buffer full (búfer lleno) Offline/Buffer full (búfer lleno/fuera de línea)
4	Receive Error	Especifica qué hacer cuando se produce un error de recepción mediante la interfaz serie.	1 2	?Print (imprimir) Ignore (ignorar)
5	Auto LF	Especifica si el código CR genera un salto de línea automático.	1 2	Enable (activado) Disable (desactivado)
6	DSR(#6) Reset	Especifica si la recepción de DSR (#6) a través de la interfaz serie provoca un reinicio de hardware.	1 2	Enable (activado) Disable (desactivado)
7	INIT(#25) Reset *1	Especifica si la recepción de INIT (#25) a través de la interfaz serie provoca un reinicio de hardware.	1 2	Enable (activado) Disable (desactivado)

Elemento		Descripción	Valor de configuración	
8	USB Soft Reset	Especifica si un reinicio suave de USB desencadena un reinicio de hardware cuando se utiliza una impresora de clase USB.	1 2	Enable (activado) Disable (desactivado)

*1 " INIT(#25) Reset "

Únicamente impresoras con interfaces serie y USB

(2) Memory Switch 2 Group (Grupo Memory Switch 2)

Elemento		Descripción	Valor de configuración	
1	Cover Open Error	Método de recuperación del error de tapa abierta durante la impresión	1 2	Auto Recovery (recuperación automática) Recovery by CMND (recuperación mediante comando)
2	Error	Qué hacer en el encendido o después de la recuperación de errores "Auto Recovery": Lleve a cabo la recuperación automática para permitir la recepción de datos. "Recovery by CMND": Deseche todos los datos recibidos hasta la recepción de que un comando de reinicio.	1 2	Auto Recovery (recuperación automática) Recovery by CMND (recuperación mediante comando)
3	Batch (COM IF)	Especifica si desea utilizar la impresión por lotes para la interfaz serie	1 2	Enable (activado) Disable (desactivado)
4	Batch (Other IF)	Especifica si desea utilizar la impresión por lotes para la interfaz USB o LAN	1 2	Enable (activado) Disable (desactivado)
5	Serial Number	Especifica la notificación del número de serie para USB "Disable": Devuelve "0" como el número de serie. "Enable": Devuelve el número de serie de fabricación como número de serie.	1 2	Enable (activado) Disable (desactivado)
6	ASB	Especifica si se debe activar la función automática de transmisión del estado. (ASB: Automatic Status Back, Devolución automática del estado)	1 2	Enable (activado) Disable (desactivado)
7	Font-B	Especifica el número de columnas para la fuente B (horizontal x vertical) "Mode1" 10x24 "Mode2" 9x24	1 2	Mode1 (modo 1) Mode2 (modo 2)

(3) Print Group (Grupo Print)

Elemento		Descripción	Valor de configuración	
1	Paper Width	Ancho del papel y número de caracteres por línea	1	80mm/48columns (80 mm/48 columnas)
			2	80mm/42columns (80 mm/42 columnas)
			3	58mm/35columns (58 mm/35 columnas)
			4	58mm/32columns (58 mm/32 columnas)
2	Max Speed	Máxima velocidad de impresión El máximo para los códigos de barras de escala de impresión y los códigos de dos dimensiones es de 120 mm/s.	1	100mm/s
			2	110mm/s
			3	120mm/s
			4	130mm/s
			5	140mm/s
			6	150mm/s
			7	160mm/s
			8	170mm/s
			9	180mm/s
			10	190mm/s
			11	200mm/s
			12	210mm/s
			13	220mm/s
			14	250mm/s
			15	270mm/s
			16	300mm/s
3	Print Density	Densidad de impresión Cuanto menor sea el valor más baja será la densidad de impresión. Cuanto mayor sea el valor más alta será la densidad de impresión.	1	70%
			2	80%
			3	90%
			4	100%
			5	110%
			6	120%
			7	130%

(4) Hardware Group (Grupo Hardware)

Elemento		Descripción	Valor de configuración	
1	Error Alert *1	Para determinar si sonará o no un zumbido cuando se produzca un error: "None": no hay sonidos. "One Time": se emiten cuatro pitidos. "Continuous": suena continuamente.	1 2 3	None One Time Continuous
2	Buzzer Interval *2	El tono de zumbido que se utilizará durante la impresión. El zumbido suena en los siguientes casos durante la impresión: • Botón FEED pulsado mientras la tapa está abierta • Comando de zumbido recibido (ESC p 03h t1 t2 t3)	1 2 3 4 5	Pattern 1 (patrón 1) Pattern 2 (patrón 1) Pattern 3 (patrón 1) Pattern 4 (patrón 1) Pattern 5 (patrón 1)
3	Buzzer Repetition *2	Número de zumbidos durante la impresión Zero no especifica ningún zumbido. El zumbido suena en los siguientes casos durante la impresión: • Botón FEED pulsado mientras la tapa está abierta • Comando de zumbido recibido (ESC p 03h t1 t2 t3)	1 2 3 4 5 6	Zero (cero) One (uno) Two (dos) Three (tres) Four (cuatro) Five (cinco)
4	Graph/User NV-MEM	Tamaño de la memoria gráfica no volátil (NV) y tamaño de la memoria NV de usuario Especifica el tamaño del área de registro de imágenes de gráficos e imágenes de bit NV, y el tamaño de la zona para almacenar datos de usuario.	1 2 3 4	384KB/192KB 448KB/128KB 512KB/64KB 576KB/0B
5	Cut at Cover Close	Para activar o no la cuchilla si la tapa está cerrada.	1 2	Enable (activado) Disable (desactivado)
6	PNE Detect	Para notificar o no si se aproxima el final del papel.	1 2	Enable (activado) Disable (desactivado)

*1 "Error Alert"

Cuando el tono del zumbido es "continuous" el funcionamiento es el siguiente:

(Nota) Para detener el zumbido continuo, pulse el botón FEED.

- Error recuperable (excluyendo el papel que está a punto de acabarse)
Zumbido continuo de 500 milisegundos encendido/200 milisegundos apagado
- Error de hardware
Zumbido continuo de 1000 milisegundos encendido/500 milisegundos apagado

*2 "Buzzer Interval"

Los patrones de zumbido son los siguientes:

- Pattern 1 40msON / 120msOFF
- Pattern 2 140msON / 140msOFF
- Pattern 3 200msON / 200msOFF
- Pattern 4 10msON / 50msOFF
- Pattern 5 30msON / 50msOFF

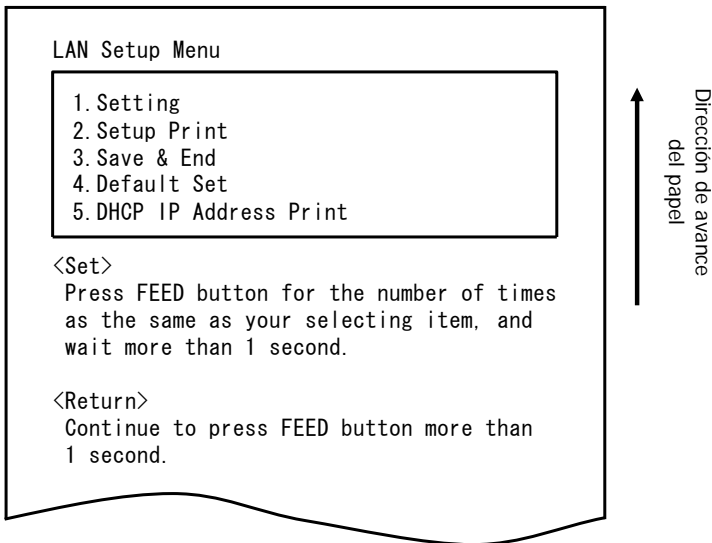
(5) Interface Group (Grupo Interface)

Elemento		Descripción	Valor de configuración	
1	Baud rate	Velocidad de transmisión de la interfaz serie	1	2400BPS
			2	4800BPS
			3	9600BPS
			4	19200BPS
			5	38400BPS
			6	57600BPS
			7	115200BPS
2	Format	Formato de datos de la interfaz serie	1	7EVEN1
			2	7ODD1
			3	8NONE1
			4	8ENEN1
			5	8ODD1
3	Protocol	Protocolo de control de búfer de la interfaz serie	1	DSR/DTR
			2	XON/XOFF
4	USB	Clase para interfaz USB	1	Printer (Impresora)
			2	V-COM

9-4. Valores de configuración de LAN(Impresoras con interfaces serie, USB y LAN)

Asegúrese de que el papel se encuentre en la impresora. Apague el interruptor de alimentación de la impresora, a continuación, vuelva a encenderlo mientras presiona el botón FEED del panel de control. Lo que genera la impresión que aparece en la sección 9-1.

Luego pulse el botón FEED **tres veces** (para seleccionar 3. LAN Setup Menu); la impresora pasará al modo de configuración e imprimirá el siguiente menú.



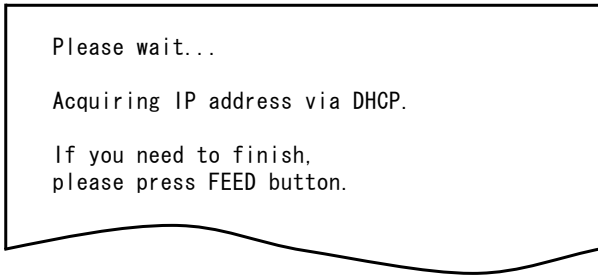
La configuración tiene el mismo método operativo que el que se describe en el apartado 9-2.

Elemento de configuración

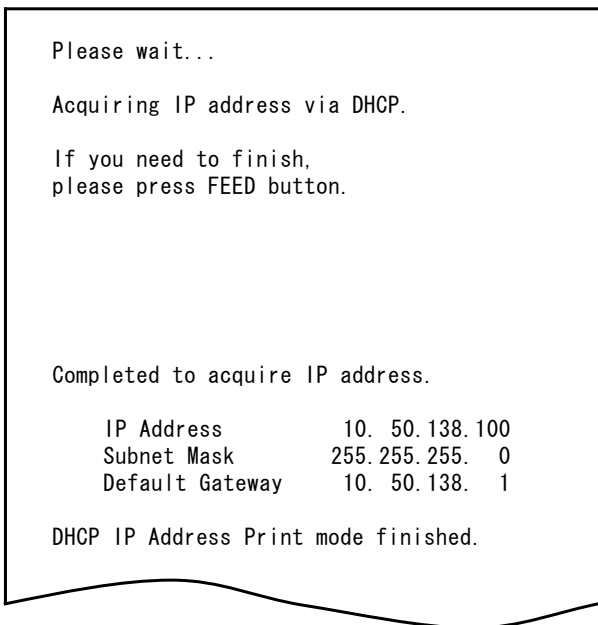
Elemento		Descripción	Valor de configuración	
1	LAN	<p>Especificar interface</p> <p>"Enable": Funciona en la interfaz LAN.</p> <p>"Disable": Funciona en la interfaz USB o serie. Si ambas interfaces, USB y serie, están conectadas, tendrá prioridad la interfaz USB.</p>	1 2	<p>Enable (activado)</p> <p>Disable (desactivado)</p>

DHCP IP Address Print

- 1) Seleccione “DHCP IP Address Print” para introducir el modo de impresión de la IP Address tal y como se muestra a continuación. Espere unas decenas de segundos.



- 2) Cuando IP Address, Subnet Mask, y Default Gateway hayan sido satisfactoriamente adquiridos, los valores adquiridos serán imprimidos y el modo de impresión se cerrará.



- 3) Si se pulsa el botón FEED mientras se están adquiriendo los valores, el modo de impresión se cerrará inmediatamente con el siguiente mensaje impreso:

“ DHCP IP Address Print mode finished. ”

9-5. Hex Dump (Volcado hexadecimal)

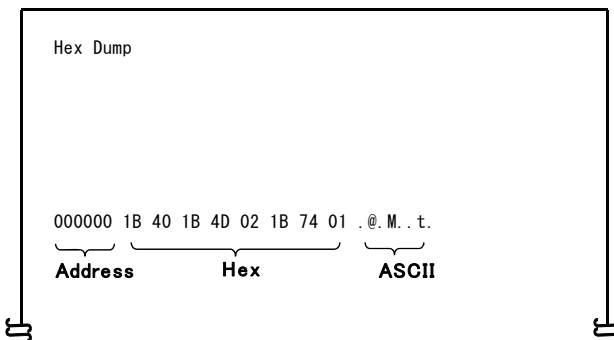
Asegúrese de que el papel se encuentre en la impresora. Apague el interruptor de alimentación de la impresora, a continuación, vuelva a encenderlo mientras presiona el botón FEED del panel de control. Lo que genera la impresión que aparece en la sección 9-1.

Al pulsar el botón FEED **tres veces** (Impresoras con interfaces serie y USB: se selecciona 3. Hex Dump) o **cuatro veces** (Impresoras con interfaces serie, USB y LAN: se selecciona 4. Hex Dump) se entra en el modo de volcado hexadecimal.

Este modo imprime todos los datos enviados a la impresora como código hexadecimal. Es útil para comprobar si los códigos de control que se envían a la impresora por medio del programa del PC son correctos.

Para eliminar este modo, apague el interruptor de encendido y vuelva a encenderlo.

Impresión de HEX Dump (Ejemplo)



9-6. Command Trace

Asegúrese de que el papel se encuentre en la impresora. Apague el interruptor de alimentación de la impresora, a continuación, vuelva a encenderlo mientras presiona el botón FEED del panel de control. Lo que genera la impresión que aparece en la sección 9-1.

Al pulsar el botón FEED **cuatro veces** (Impresoras con interfaces serie y USB: se selecciona 4. Command Trace) o **cinco veces** (Impresoras con interfaces serie, USB y LAN: se selecciona 5. Command Trace) se entra en el modo de seguimiento de comando.

Este modo imprime todos los datos enviados a la impresora en formato ASCII (con explicaciones de comandos ESC/POS). Se puede utilizar para analizar los comandos ESC/POS enviados a la impresora por el programa del PC. Para eliminar este modo, apague el interruptor de encendido y vuelva a encenderlo.

Impresión de Command Trace (Ejemplo)

```
Command Trace

<1B40:Initialize printer (ESC @)>
<1B4D02:Set ANK font G (ESC M n)>
<1B7480:Set character code table (ESC t n)>
<1D4200:Disable reverse printing (GS B n)>
<1B6102:Set justification RIGHT (ESC a n)>
<1C2E:Reset kanji mode (FS .)>
ABC
<0A:Print and line feed (LF)>
```

- Comandos indefinidos o comandos con parámetros anormales de comandos se tratan como errores y se imprimen con el fondo y el primer plano invertidos.
- Comandos absurdos e innecesarios se imprimen con un subrayado como una advertencia.
- Códigos de comandos se imprimen en negrita.

9-7. Sample Print (Impresión de muestra)

Asegúrese de que el papel se encuentre en la impresora. Apague el interruptor de alimentación de la impresora, a continuación, vuelva a encenderlo mientras presiona el botón FEED del panel de control. Lo que genera la impresión que aparece en la sección 9-1.

Al pulsar el botón FEED **cinco veces** (Impresoras con interfaces serie y USB: se selecciona 5. Sample Print) o **seis veces** (Impresoras con interfaces serie, USB y LAN: se selecciona 6. Sample Print) se entra en modo de impresión de muestra.

Este modo imprime una explicación del funcionamiento del botón FEED, realiza un corte de papel y luego imprime los patrones de muestra. (La explicación del botón FEED sólo se imprime la primera vez.)

" Pulse el botón FEED.
Corto : Patrón siguiente
Largo : Mismo patrón "

Después de la impresión, al pulsar brevemente el botón FEED (menos de un segundo) se imprimen los siguientes ejemplos, uno a la vez.

* " Recibo " → " Cupón " → " Código de barras " → " Recibo " por turno.
(Pausas de impresión después de cada muestra. Pulse el botón FEED para imprimir el siguiente ejemplo.)

Al pulsar el botón FEED más tiempo (un segundo o más) se imprime la muestra anterior de nuevo.

Para eliminar el modo de impresión de muestra, apague el interruptor de encendido y vuelva a encenderlo.

El modo de impresión de muestra realiza un corte después de la impresión de cada hoja.

El modo de impresión de muestra utiliza el patrón de 80 mm o 58 mm dependiendo del valor del ancho de papel en la configuración.

Si se produce un error recuperable, la impresión de muestra se reanuda después de la recuperación.

La página siguiente muestra ejemplos de impresiones.

<Resultado de la impresión de Sample Print, 80mm Pattern>

Modelo "Receipt" (Recibo)

Modelo "Coupon" (Cupón)

OKI

OKI Supermarket
Tel : 987-654-321

Banana	22.50	1	\$2.50
Beer 350ml	22.40	6	\$14.40
Cake	22.50	3	\$7.50
Slipper	23.80	5	\$19.00
Fairy lamp	2.50	2	\$1.00
Candy	2.11	10	\$1.10
Strawberry	22.45	4	\$9.80
Pie	235.00	1	\$35.00
Pizza	220.00	1	\$20.00
Socks	23.30	6	\$19.80
Aspirin	212.80	1	\$12.80
Wine	229.80	1	\$99.80
Sub total			\$242.70
Tax(5%)			\$12.10
Total			\$254.80

Receipt No. : 9202
Casher : XXXX

XX-XX-20XX



a 0 1 2 3 4 5 6 7 8 9 0 1 2 3 4 5 6 7 8 9 a

OKI

Coupon 20\$ OFF !!

Save 20 dollars on Grape Search of OKI company.

Issue date : XX.XX.20XX

[OKI will give a REAL LIFE to YOU]





a 0 1 2 3 4 5 6 7 8 9 0 1 2 3 4 5 6 7 8 9 a


NO. 1234567890


Modelo "Bar Code" (Código de barras)


**** BarCode ****


UPC-A

4 9 3 3 5 2 4 1 0 0 7


UPC-E
9 3 3 5 2 1



EAN8 (JAN8)
4 9 3 3 5 2 4 8

4 9 3 3 5 2 4 8

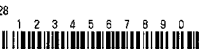
EAN13 (JAN13)


Codabar (NW-7)

a 1 2 3 4 6 a


ITF
1 2 3 4 5 6 7 8 9 0



Code39
* A B 1 2 3 4 5 *

* A B 1 2 3 4 5 *


Code93


Code128
1 2 3 4 5 6 7 8 9 0

1 2 3 4 5 6 7 8 9 0

**** Two-dimensional Code ****

URcode


PDF417


DataMatrix


<Resultado de la impresión de Sample Print, 58mm Pattern>


Modelo "Receipt" (Recibo) Modelo "Coupon" (Cupón)

OKI

OKI Supermarket
Tel : 987-654-321

Banana	\$2.50	1	\$2.50
Beer 350ml	\$2.40	6	\$14.40
Cake	\$2.50	3	\$7.50
Slimmer	\$5.80	5	\$19.00
Fairy lamp	\$1.50	2	\$1.00
Candy	\$1.10	10	\$1.10
Strawberry	\$2.45	4	\$9.80
Pie	\$35.00	1	\$35.00
Pizza	\$20.00	1	\$20.00
Socks	\$5.30	6	\$19.80
Aspirin	\$12.80	1	\$12.80
Wine	\$95.80	1	\$98.80
Sub total			\$242.70
Tax (5%)			\$12.10
Total			\$254.80

Receipt No. : 9202
Casher : XXXX
XX-XX-20XX



a 0 1 2 3 4 5 6 7 8 9 a

***** BarCode *****

UPC-A

4 9 3 3 5 2 4 1 0 0 7

UPC-E
9 3 3 5 2 1


EAN8(JAN8)
4 9 3 3 5 2 4 8

4 9 3 3 5 2 4 8

EAN13(JAN13)


Codabar (NN-7)

a 1 2 3 4 5 a

ITF
1 2 3 4 5 6 7 8 9 0


Code39
* A B 1 2 3 4 5 *

* A B 1 2 3 4 5 *

Code93


Code128
1 2 3 4 5 6 7 8 9 0

1 2 3 4 5 6 7 8 9 0

***** Two-dimensional Code *****

QRcode


PDF417


DataMatrix


OKI

Coupon 20\$ OFF!!

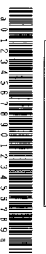
Save 20 dollars on every purchase of OKI cameras.

Issue date : XXXX-XX-XX

OKI will give a REAL LIFE to you!

9 0 1 2 3 4 5 6 7 8 9 0 1 2 3 4 5 6 7 8 9 0

NO. 1234567890



Modelo "Coupon" (Cupón)

10. Limpieza periódica

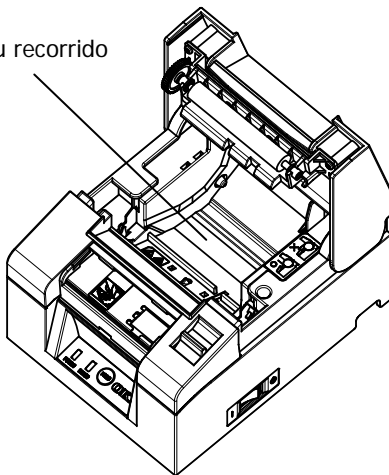
La calidad de impresión puede verse afectada por las partículas de papel, polvo u otro material. Para evitar este problema, elimine cualquier partícula de papel o polvo del soporte del papel, el recorrido del papel, el rodillo y el cabezal térmico, tal como se describe a continuación.

Realice la limpieza cada seis meses.

10-1. Limpieza del soporte del papel y su recorrido

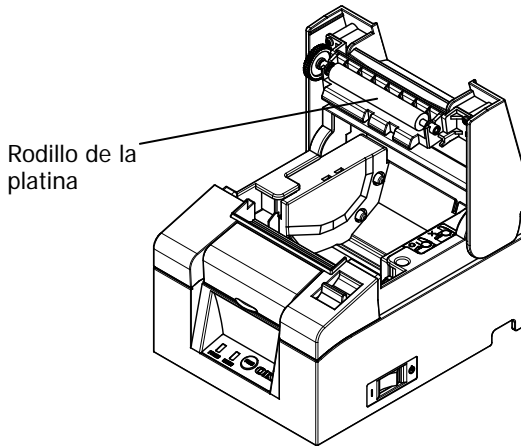
- (1) Asegúrese de apagar la alimentación de la impresora.
- (2) Cierre la cubierta superior.
- (3) Limpie el polvo, partículas de papel, pegamento u otro cuerpo extraño del soporte del papel y su recorrido con un paño seco y suave.

Soporte del papel y su recorrido



10-2. Limpieza del rodillo de la platina

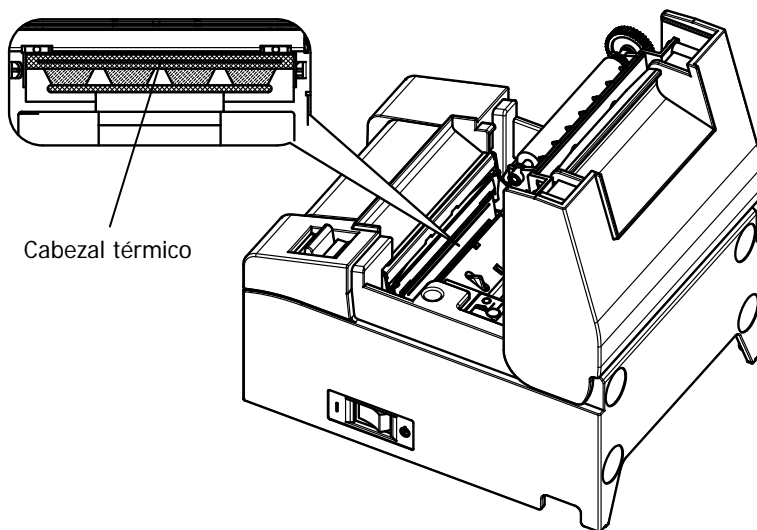
- (1) Asegúrese de apagar la alimentación de la impresora.
- (2) Cierre la cubierta superior.
- (3) Limpie el polvo, partículas de papel, pegamento u otro cuerpo extraño del rodillo con un paño seco y suave.



⚠ Precaución: No dañe ni abolle el rodillo de la platina. Las abolladuras del rodillo provocarán huecos en la impresión y/o fallos en el avance de la línea.

10-3. Limpieza del cabezal térmico

- (1) Asegúrese de apagar la alimentación de la impresora.
- (2) Cierre la cubierta superior.
- (3) Utilice una solución de alcohol, elimine las partículas negras de papel y otros residuos de la superficie del cabezal térmico.



- ⚠ **Precaución:** El cabezal térmico se puede dañar fácilmente. Límpielo con cuidado con un paño suave para evitar cualquier daño.
- ⚠ **Precaución:** El cabezal térmico está caliente inmediatamente después de la impresión. Deje que se enfríe unos diez minutos antes de limpiarlo.
- ⚠ **Precaución:** El cabezal térmico puede ser dañado por la electricidad estática. Tenga cuidado y evite su exposición a la electricidad estática.
- ⚠ **Precaución:** Espere hasta que el alcohol de la solución de limpieza se haya secado por completo antes de encender la impresora.
- ⚠ **Precaución:** Utilice únicamente disolventes de alcohol o de alcohol isopropílico.

11. Interfaz

11-1. Interfaz serie

(1) Especificaciones de la interfaz de transmisión

Método de transmisión	Asincrónico											
Tipo de línea	Doble completa											
Circuito de entrada/salida	Entrada: equivalente a MAX211 Salida: equivalente a MAX211											
Velocidad de transmisión	2400, 4800, 9600, 19200, 38400, 57600, 115200 BPS (Valores de configuración)											
Tipo de código de transmisión	7 u 8 bits											
Formato de código de transmisión	Bits de inicio: 1 bit Bits de parada: 1 bit Bits de datos: 7 u 8 bits (Valores de configuración) Paridad: NONE, ODD, EVEN (Valores de configuración) Marca (1) <table border="1" style="display: inline-table; vertical-align: middle;"> <tr> <td>ST</td> <td>b0</td> <td>b1</td> <td>b2</td> <td>b3</td> <td>b4</td> <td>b5</td> <td>b6</td> <td>b7</td> <td>PT</td> <td>SP</td> </tr> </table> Espacio(0)	ST	b0	b1	b2	b3	b4	b5	b6	b7	PT	SP
ST	b0	b1	b2	b3	b4	b5	b6	b7	PT	SP		
Secuencia de transmisión	LSB a MSB											
Código de transmisión	Código JIS											
Control de Errores	Comprobación de paridad (Valores de configuración)											
Longitud de la línea de conexión	Máx. 15 m: (Cuando la energía se suministra desde el conector de alimentación) Máx. 2m: (Cuando la energía se suministra desde el conector de la interfaz)											
Protocolo	DSR/DTR, XON/XOFF (Valores de configuración)											

(2) Conector de la interfaz serie (Impresoras con interfaces serie y USB)

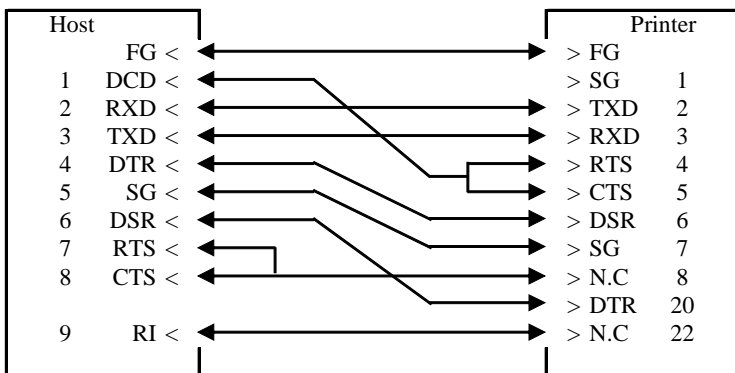
Clavija n.º	Nombre de la señal	Dirección	Nombre de la línea de señal
1	SG	-	Señal de tierra
2	TXD	Salida	Transmisión de datos
3	RXD	Entrada	Recepción de datos
4	RTS	Salida	Solicitud de envío
5	CTS	Entrada	Listo para enviar
6	DSR	Entrada	Conjunto de datos preparado
7	SG	-	Señal de tierra
8 ~ 19	N.C	-	Sin conexión
20	DTR	Salida	Terminal de datos preparado
21 ~ 24	N.C	-	Sin conexión
25	INIT	Entrada	Señal de reinicio forzoso

⚠ Precaución: Use un tornillo de seguridad con rosca imperial en el conector.

⚠ Precaución: Utilice un cable cruzado de 9-25 pines RS232C como cable de interfaz.

(3) Cable de conexión (Impresoras con interfaces serie y USB)

Se recomienda la configuración de la conexión que aparece en la figura siguiente.



⚠ Precaución: Está prohibido suministrar energía del conector de la interfaz.

(4) Conector de la interfaz serie (Impresoras con interfaces serie, USB y LAN)

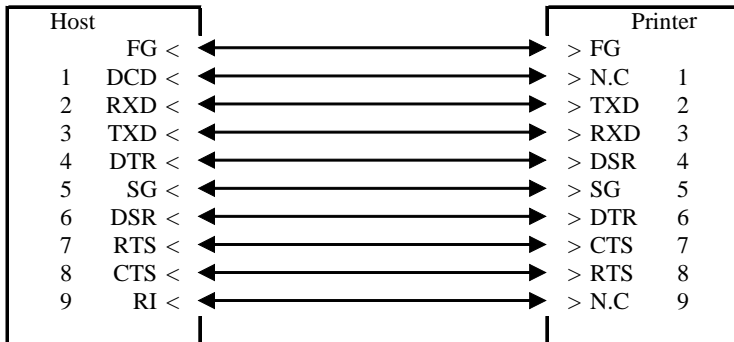
Clavija n.º	Nombre de la señal	Dirección	Nombre de la línea de señal
1	N.C	-	Sin conexión
2	TXD	Salida	Transmisión de datos
3	RXD	Entrada	Recepción de datos
4	DSR	Entrada	Conjunto de datos preparado
5	SG	-	Señal de tierra
6	DTR	Salida	Terminal de datos preparado
7	CTS	Entrada	Listo para enviar
8	RTS	Salida	Solicitud de envío
9	N.C	-	Sin conexión

⚠ Precaución: Use un tornillo de seguridad con rosca imperial en el conector.

⚠ Precaución: Utilice un cable recto de 9 pines RS232C como cable de interfaz.

(5) Cable de conexión (Impresoras con interfaces serie, USB y LAN)

Se recomienda la configuración de la conexión que aparece en la figura siguiente.



⚠ Precaución: Está prohibido suministrar energía del conector de la interfaz.

11-2. Interfaz USB

(1) Conector de tipo B: 4 clavijas

Clavija n.º	Nombre de la señal	Dirección	Nombre de la línea de señal
1	VBUS	Entrada	VBUS
2	D-inB	Entrada/salida	D-
3	D+inB	Entrada/salida	D+
4	SG	-	Señal de tierra

⚠ Precaución: Utilice un cable USB blindado.

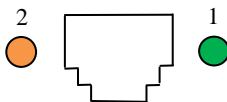
11-3. Interfaz LAN

(1) Conector de la interfaz LAN

Clavija n.º	Nombre de la señal	Dirección	Nombre de la línea de señal
1	TX+	Salida	Datos de salida
2	TX-	Salida	Datos de salida
3	RX+	Entrada	Datos de entrada
4	N.C	-	-
5	N.C	-	-
6	RX-	Entrada	Datos de entrada
7	N.C	-	-
8	N.C	-	-

⚠ Precaución: Utilice un cable de LAN recto para la interfaz y conéctelo a la red a través de un concentrador.

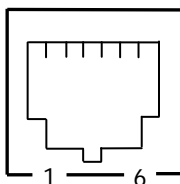
(2) LED



N.º	Significado	Descripción
1	S (Speed (Velocidad))	Se ilumina cuando la conexión es reconocida como 100BASE-TX Se apaga cuando no está conectado o cuando reconoce que está conectado a 10BASE-T
2	L/A (Link/Act (Enlace/Act.))	Se ilumina cuando se establece el enlace con 100BASE-TX o 10BASE-T Parpadea cuando se envían y reciben paquetes

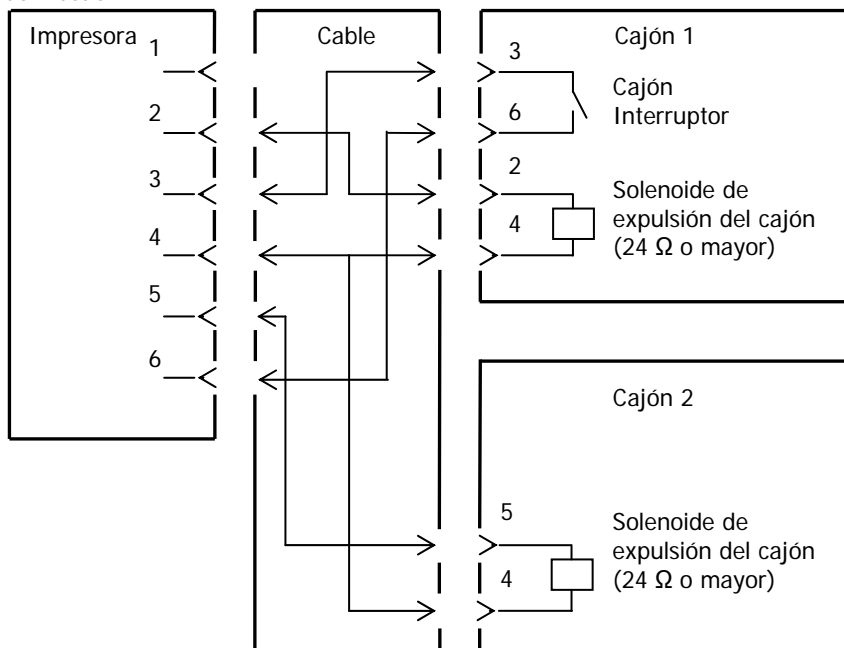
11-4. Conector de expulsión del cajón

Clavija n.º	Nombre de la señal	Dirección	Nombre de la línea de señal
1	FG	-	Tierra del chasis
2	*DRD1	Salida	Señal 1 de la unidad de expulsión del cajón
3	DRSNS1	Entrada	Señal 1 de detección de cajón
4	+24 V	-	Tensión del motor
5	*DRD2	Salida	Señal 2 de la unidad de expulsión del cajón
6	SG	-	Señal de tierra



<Lado de conexión>

<Connection>



- ⚠ **Precaución:** El cable de conexión del cajón debe ser del tipo blindado.
- ⚠ **Precaución:** Las dos unidades no pueden funcionar simultáneamente.
- ⚠ **Precaución:** Especifique el tiempo de encendido y apagado del cajón (t_1 y t_2) con el comando de generación de pulsos (ESC p m t_1 t_2).
- ⚠ **Precaución:** Defina el ciclo de trabajo del cajón de conformidad con la siguiente fórmula: $\text{Tiempo de encendido} / (\text{tiempo de encendido} + \text{tiempo de apagado}) \leq 0,2$
- ⚠ **Precaución:** Utilice siempre la energía de la impresora (clavija 4 del conector) para el cajón.
- ⚠ **Precaución:** Use un solenoide de expulsión del cajón con un valor de resistencia de al menos 24Ω . Si es inferior a 24Ω , el solenoide puede dañarse por exceso de corriente.
- ⚠ **Precaución:** Este producto utiliza un conector modular específico para la caja registradora y un conector para la pantalla de cliente. No trate de usar otros tipos de conectores como los conectores de telefonía.

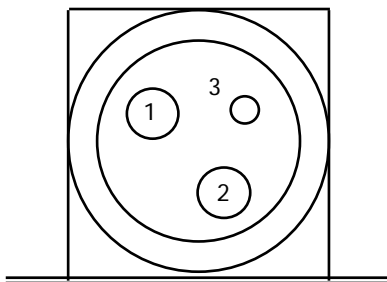
11-5. Especificaciones de alimentación

- (1) Tensión de entrada nominal: 100-240 V, 50-60Hz
- (2) Corriente de entrada nominal: 1,1 A
- (3) Tensión de funcionamiento: 24 V \pm 10%
- (4) Consumo eléctrico: En espera : 3,0 W o menos/0,1 A de media
En funcionamiento : Unos 38 W/1,5 A de media
(a 24 V, 25 °C, valor de la densidad de impresión en 100%, 80 mm de ancho del papel, factor de impresión 9%)

Nota: Corriente de la unidad de expulsión del cajón:
Máx. 1 A
Sin embargo, no accione dos expulsiones de cajón a la vez.

Asignación de clavijas del conector de alimentación

Clavija n.º	Nombre de la señal
1	+24 V
2	SG
3	N.C



- ⚠ Precaución:** Utilice nuestro adaptador de CA especificado para suministrar energía.
- ⚠ Precaución:** Si no se utiliza nuestro adaptador de CA (la fuente de alimentación es suministrada por el usuario), pueden producirse problemas como mala calidad de impresión, interferencias electromagnéticas o ruido del circuito. En tales casos, tome nota de los siguientes puntos:
- Utilice un adaptador de CA cuya capacidad se corresponda con la velocidad de impresión que se utilizará realmente.
 - Compruebe de antemano que no haya problemas, como electricidad estática, interferencias electromagnéticas, ruido en el circuito, etc.

12. Especificaciones

12-1. Especificaciones generales

- (1) Método de impresión: Impresión directa de línea térmica
- (2) Velocidad de impresión: Un máximo de 300 mm/s (sólo monocromo)
- (3) Resolución de impresión: 8 puntos/mm (0,125 mm)
- (4) Relación entre el número de columnas de impresión y el tamaño de la fuente

Estilo del cuerpo ((anchura) x (altura) punto)

	Anchura del papel 58mm	
	Impresión de 32 columnas	Impresión de 35 columnas
ANK: Fuente A	32 columnas: 12x24	35columnas: 12x24
ANK: Fuente B	38columnas: 10x24 42 columnas: 9x24	42 columnas: 10x24 46 columnas: 9x24
ANK: Fuente C	48 columnas: 8x16	52 columnas: 8x16
ANK: Fuente A Fuente de extensión	32 columnas: 12x24	35 columnas: 12x24
ANK: Fuente B Fuente de extensión	38 columnas: 10x24 42 columnas: 9x24	42 columnas: 10x24 46 columnas: 9x24

Estilo del cuerpo ((anchura) x (altura) punto)

	Anchura del papel 80 mm	
	Impresión de 42 columnas	Impresión de 48 columnas
ANK: Fuente A	42columnas: 12x24	48 columnas: 12x24
ANK: Fuente B	51 columnas: 10x24 56 columnas: 9x24	57 columnas: 10x24 64 columnas: 9x24
ANK: Fuente C	64 columnas: 8x16	72 columnas: 8x16
ANK: Fuente A Fuente de extensión	42 columnas: 12x24	48 columnas: 12x24
ANK: Fuente B Fuente de extensión	51 columnas: 10x24 56 columnas: 9x24	57 columnas: 10x24 64 columnas: 9x24

(5) Juegos de caracteres

Carácter alfanumérico (95)

Carácter internacional (16 conjuntos : Gothic)

Gráficos ampliados (128 x 20 páginas : Gothic)

Registro descargado (96)

Kanji definido por el usuario (94)

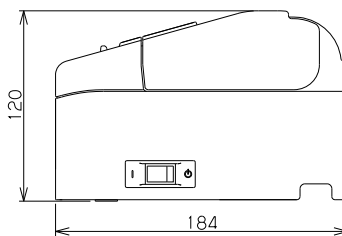
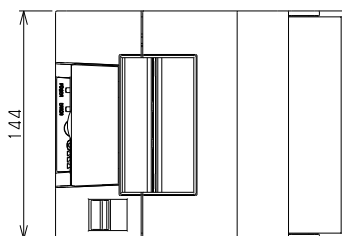
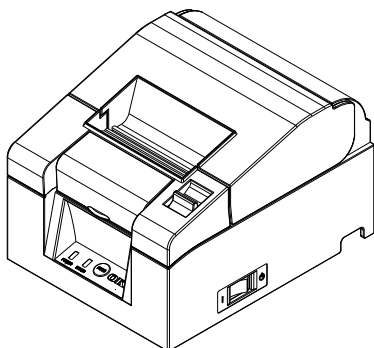
(6) Tamaño de caracteres

	Estilo del cuerpo		Estilo de letra	
	(Anchura) x (Altura) punto	(Anchura) x (Altura) mm	(Anchura) x (Altura) punto	(Anchura) x (Altura) mm
ANK: Fuente A	12 x 24	1,5 x 3,0	11 x 22	1,375 x 2,75
ANK: Fuente B	10 x 24 9 x 24	1,25 x 3,0 1,125 x 3,0	9 x 17 9 x 22	1,125 x 2,125 1,125 x 2,75
ANK: Fuente C	8 x 16	1,0 x 2,0	8 x 13	1,0 x 1,625
ANK: Fuente A Fuente de extensión	12 x 24	1,5 x 3,0	12 x 24	1,5 x 3,0
ANK: Fuente B Fuente de extensión	10 x 24 9 x 24	1,25 x 3,0 1,125 x 3,0	9 x 22 9 x 22	1,125 x 2,75 1,125 x 2,75

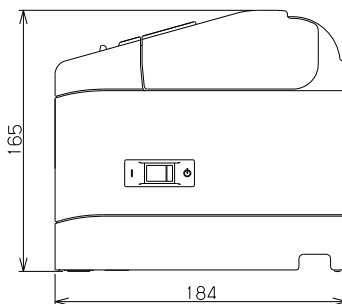
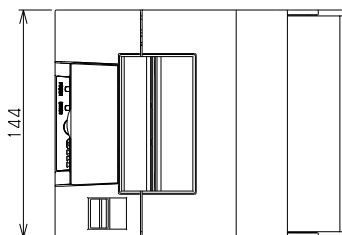
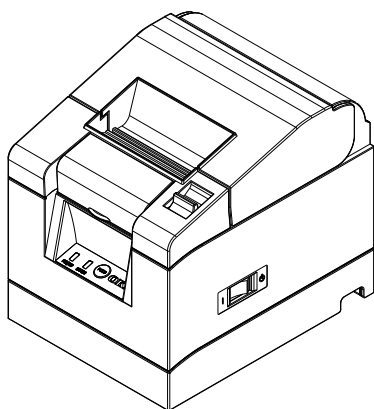
(Nota) Los valores de columna de impresión, tamaño de caracteres y juegos de caracteres dependen del modelo de impresora y/o del área.

(7) Vista del esquemática

Modelo estándar



Modelo con fuente de alimentación incorporada



12-2. Especificaciones de la cuchilla

(1) Método de corte: Corte parcial (el papel permanece conectado a un punto)

⚠ Precaución: No utilice la cuchilla de forma continua a un ritmo superior a 10 cortes por minuto (un corte cada 6 segundos o más). El uso excesivo puede provocar un mal funcionamiento.

12-3. Especificaciones de suministro del rollo de papel

(1) Método de carga: Los rollos se cargan manualmente.

(2) Papel próximo al final: Se detecta cuando la longitud de papel que queda es insuficiente.

⚠ Precaución: Se admite un diámetro interno de \varnothing 18 mm.

12-4. Especificaciones de la interfaz

(1) Serie (RS-232C)

(2) USB (USB 2.0 de alta velocidad)

(3) LAN (10BASE/100BASE-T)

12-5. Especificaciones medioambientales

(1) Temperatura

Funcionamiento	Funcionamiento garantizado:	Entre 0 y 40 °C
	Calidad de impresión garantizada:	Entre 5 y 35 °C
Sin funcionamiento		Entre -5 y 60 °C
Transporte o almacenamiento (embalaje)		Entre -20 y 60 °C

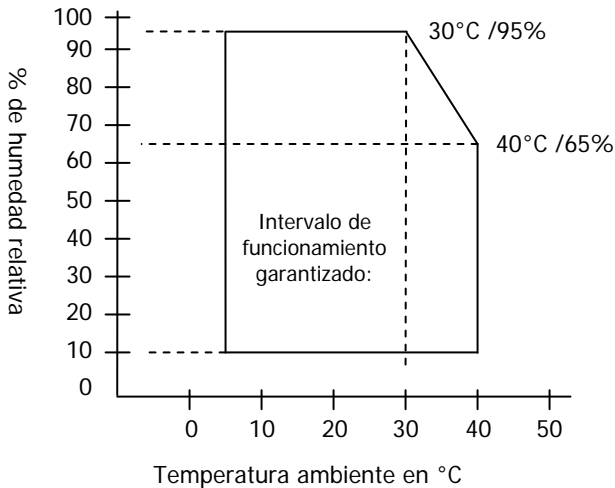
(2) Humedad

Funcionamiento Funcionamiento garantizado a:
Entre 10 y 95% de humedad relativa (sin condensación)

Calidad de impresión garantizada a:
Entre 10 y 85% de humedad relativa (sin condensación)

Sin funcionamiento Entre 8 y 95% de humedad relativa (sin condensación)
Transporte o almacenamiento (embalaje) Entre 5 y 95% de HR

(3) Máxima temperatura de bulbo húmedo 29 °C o menos



12-6. Especificaciones de fiabilidad

- (1) Vida útil de la impresora 20 millones de líneas
(Cuando se utiliza el papel recomendado de 75 μm)
- (2) Vida útil del cabezal Recorrido: 100km
(Cuando se utiliza el papel recomendado de 75 μm)
 Pulsos: 100 millones de pulsos
(Cuando se utiliza el papel recomendado de 75 μm)
- (3) Vida útil de la cuchilla
 Grosor del papel 75 μm : 1,5 millones de cortes
(Cuando se utiliza el papel recomendado de 75 μm)
 65 μm /85 μm : 1,0 millón de pulsos

Nota: Cuando una configuración de la velocidad de impresión máxima es 220mm/s.

13. Precauciones de uso

13-1. Precauciones relacionadas con el papel

- (1) Las velocidades de impresión altas pueden causar una impresión borrosa. Elija una velocidad de impresión adecuada para evitar el desenfoque. Por otra parte, configure una combinación adecuada de velocidad y densidad de impresión para evitar el desenfoque.
(Consulte en el apartado 9, Modo especial: 9-2. Cambio de la configuración.)
- (2) Los caracteres de impresión procedentes de conjuntos de caracteres no estándar en una fuente serif delgada o similar darán lugar a caracteres que parecen muy tenues. Utilice una fuente sans-serif negrita.
- (3) Para lograr una impresión de calidad sin irregularidades (expansión o contracción), avance el papel 1 mm (8 puntos) o más al reiniciar la impresión o después de cortar el papel.
- (4) En la impresión secuencial, la lenta transferencia de datos puede originar líneas blancas en la impresión, ya que la impresión y la pausa se repiten alternativamente. Si la calidad de impresión tiene prioridad, utilice el modo de impresión por lotes Batch Print ("Batch (COM IF)", "Batch (OTHER IF)").
(Consulte en el apartado 9, Modo especial: 9-2. Cambio de la configuración.)
- (5) El margen superior se puede establecer en 12 o 3 mm mediante un comando. Si el margen superior se establece en 3 mm, asegúrese de retirar el papel impreso cada vez que finalice la operación de impresión y corte, ya que el papel se recoge antes de la impresión. Si el papel impreso y cortado no se retira, la sección parcialmente cortada puede torcerse o la superficie cortada puede doblarse provocando un atasco de papel. Asimismo, utilice un mínimo de 30 mm de papel para cada transacción.
- (6) La definición de un alto valor para la densidad de impresión (110% o más) puede dar lugar a una impresión borrosa o desigual a bajas temperaturas, según el modelo de impresión. Si la calidad de impresión tiene prioridad, imprima a una velocidad inferior.
(Consulte en el apartado 9, Modo especial: 9-2. Cambio de la configuración.)
- (7) No cambie un papel estrecho por otro más ancho (por ejemplo, de 58 a 80 mm) cuando la impresión esté en curso. Cuando utilice papel estrecho, una parte del cabezal térmica puede entrar en contacto directo con el rodillo sin que haya papel. Esto provoca el desgaste del cabezal, lo que produce, a su vez, una calidad de impresión deficiente. Además, como la cuchilla también trabaja en los tramos sin papel, puede desgastarse, originando malos cortes. No cambie la anchura del papel con la impresión en curso.

- (8) Si el papel se ha dejado en la impresora mucho tiempo, puede deformarse y provocar impresiones muy tenues. Por lo tanto, si el papel se ha dejado mucho tiempo, haga avanzar el papel unos 20-30 mm antes de imprimir.
- (9) Si se emplea papel no recomendado, no se puede garantizar la calidad de impresión ni la vida útil del cabezal térmico. En particular, el uso de papel que contenga "Na+, K+ o Cl-" puede acortar significativamente la vida útil del cabezal térmico.
- (10) El uso de un adaptador de CA no recomendado puede provocar impresiones borrosas o irregulares, por lo que debe emplearse únicamente el adaptador recomendado.
- (11) El papel puede marcarse durante la operación de cambio o si la cubierta superior está cerrada, por tanto, haga avanzar el papel unos 20-30 mm antes de imprimir.

13-2. Precauciones relacionadas con la cuchilla

- (1) No utilice la cuchilla de forma continua a un ritmo superior a 10 cortes por minuto (un corte cada 6 segundos o más). El uso excesivo puede provocar un mal funcionamiento.
- (2) No retire el papel mientras está siendo cortado. Si lo hace, puede causar problemas como un atasco de papel.
- (3) Si el margen superior se establece en 3 mm, asegúrese de retirar el papel impreso cada vez que finalice la operación de impresión y corte, ya que el papel se recoge antes de la impresión. De lo contrario, puede causar problemas como un atasco de papel.

13-3. Precauciones de impresión de códigos de barras/ códigos 2D

- (1) Si utiliza papel grueso, la velocidad de impresión y la densidad deben ajustarse y hay que comprobar la legibilidad antes de utilizar la impresora, pues el papel grueso puede producir una impresión borrosa en función del entorno y la humedad.
(Consulte en el apartado 9, Modo especial: 9-2. Cambio de la configuración.)
- (2) Para los códigos 2D, ajuste la velocidad de impresión y la densidad para obtener una buena tasa de reconocimiento. Ya que la legibilidad varía en función de la anchura del módulo, la densidad de impresión, la temperatura ambiente, el tipo de papel térmico y el rendimiento del lector, compruebe todo esto antes de utilizar la impresora.
(Consulte en el apartado 9; Modo especial: 9-2. Cambio de la configuración.)

- (3) Si un código de barras se imprime en la parte superior del papel de la impresora la primera vez que se alimenta, o en el fondo cuando se haya completado la alimentación de papel, se debe comprobar la legibilidad porque la precisión en la alimentación de papel se puede volver inestable.

13-4. Precauciones de uso de la interfaz USB

- (1) Conecte la impresora directamente con el ordenador del host.
- (2) Asegúrese de encender la impresora antes de imprimir.
- (3) Si se produce un error durante la impresión, resuelva el error de la impresora y vuelva a intentar la impresión.
- (4) No apague la impresora o desconecte el cable USB mientras la impresión esté en curso. No se recomienda el uso del ordenador del host para configurar el modo Stand-by, el modo Sleep, el modo Suspend o el modo Pause. Si la impresora no funciona correctamente incluso después de la aplicación de lo anterior, intente volver a conectar el cable USB o encender la impresora de nuevo. Si la impresora sigue sin imprimir bien, reinicie el ordenador del host.

13-5. Precauciones de uso de la interfaz LAN

- (1) La configuración de internet de la impresora deberá configurarse cuando la impresora no esté imprimiendo.
Si cambia frecuentemente la configuración de internet mientras la impresora está imprimiendo, el papel podría no alimentarse bien y se podría producir una impresión irregular.
- (2) Este monitor de estado puede utilizarse con puertos de LAN dedicados.
No admite puertos de LAN estándar de Windows.
- (3) Cuando se imprima en múltiples impresoras desde un solo PC, la Impresión podría no funcionar correctamente, dependiendo del puerto de TCP/IP estándar del sistema operativo.
Si fuera éste el caso, establezca la función de comunicación bidireccional del controlador de impresora en desactivada antes de imprimir.
- (4) Si se apaga la impresora en mitad de la impresión, ésta podría no reanudarse automáticamente cuando se vuelva a encender la impresora.
Si ocurriera esto, elimine los datos del trabajo de impresión de la cola de la impresora y ejecute de nuevo la impresión.

13-6. Precauciones de instalación

- (1) Utilice la impresora solamente en interiores. El uso al aire libre puede provocar un mal funcionamiento de la impresora debido al polvo u otros factores.
- (2) Cuando conecte un cable a la impresora o la cambie de posición, lleve a cabo la operación mientras mantiene la cubierta intermedia de la impresora a los lados con las dos manos. Si se realiza la operación sujetando la cubierta superior, esta puede abrirse.

13-7. Precauciones de uso del conector de tipo modular

- (1) Este producto utiliza un conector modular específico para la caja registradora y un conector de pantalla para el cliente. No trate de usar otros tipos de conectores como los conectores de telefonía.

Okidata de contacto

Okidata Systems (UK) Ltd

Blays House
Wick Road
Egham
Surrey
TW20 0HJ

Tel: +44 (0) 1784 274300
Fax: +44 (0) 1784 274301
http://www.oki.co.uk

Okidata Systems Ireland Limited

The Square Industrial Complex
Tallaght
Dublin 14

Tel: +353 (0) 1 4049590
Fax: +353 (0) 1 4049591
http://www.oki.ie

Okidata Systems Ireland Limited - Northern Ireland

19 Ferndale Avenue
Glengormley
BT36 5AL
Northern Ireland

Tel: +44 (0) 7767 271447
Fax: +44 (0) 1 404 9520
http://www.oki.ie

Technical Support for all Ireland:

Tel: +353 1 4049570
Fax: +353 1 4049555
E-mail: tech.support@oki.ie

Okidata Systems (Czech and Slovak), s.r.o.

Futurama Business Park -
Sokolovská 651/136A
186 00 Praha 8
Czech Republic

Tel: +420 224 890158
Fax: +420 22 232 6621
Website: www.oki.cz, www.oki.sk

Okidata Systems (Deutschland) GmbH

Hansaallee 187
40549 Düsseldorf

Tel: +49 (0) 211 / 5266-0
Fax: +49 (0) 211 59 33 45
Website: www.oki.deinfo@oki.de

Albania, Bosnia, Bulgaria, Croatia,
Cyprus, Estonia, Greece, Israel,
Latvia, Lithuania, Macedonia,
Romania, Serbia, Slovenia

CEE Export Group: Okidata Systems (Poland) Ltd

ul. Domaniewska 42
02-672 Warsaw
Poland

Tel: +48 (0) 22 448 65 00
Fax: +48 (0) 22 448 65 0
E-mail: tech@oki.com.pl

Okidata Systèmes (France) S.A.

Zone Silic - Immeuble Osaka
21 rue du Jura
CS 90277
94633 RUNGIS Cedex
Paris

Tél: Standard 0820 200 410
(0.09€/min depuis une ligne fixe*)
Hotline 01 76 54 21 50 (n° non
surtaxé)
Website: www.oki.fr

Okidata Systems (Magyarország) Kft.

Capital Square
Tower 2
7th Floor
H-1133 Budapest,
Váci út 76
Hungary

Telefon: +36 1 814 8000
Telefax: +36 1 814 8009
Website: www.okihu.hu

Okidata Systems (Italia) S.p.A.

via Milano, 11,
20084 Lacchiarella (MI)

Tel: +39 (0) 2 900261
Fax: +39 (0) 2 90026344
Website: www.oki.it

Okidata Systems (Polska) Sp. z o.o.

Platinum Business Park II, 3rd
Floor
ul. Domaniewska 42
02-672 Warsaw
Poland

Tel: +48 22 448 65 00
Fax: +48 22 448 65 01
Website: www.oki.com.pl
E-mail: oki@oki.com.pl
Hotline: 0800 120066
E-mail: tech@oki.com.pl

Okidata Europe Limited, Sucursal em Portugal

Av. Quinta Grande 53
7° D Alfragide
2614-521 Amadora
Portugal

Tel: +351 21 470 4200
Fax: +351 21 470 4201
Website: www.oki.pt
E-mail : oki@oki.pt

Okidata Service Serviço de apoio técnico ao Cliente

Tel: 214 727 660
E-mail : okiserv@oki.pt

Okidata Systems Rus, LLC (Russia)

Sector B, 3rd Floor, Svyatogor-4
Business Center10/4, Letnikovskaya
str. 115114, Moscow

Tel: +7 495 276 5060
Fax: +7 495 258 6070
e-mail: info@oki.ru
Website: www.oki.ru

Technical support:
Tel: +7 495 564 8421
e-mail: tech@oki.ru

Okidata Systems (Österreich)

Campus 21
Businesszentrum Wien Sued
Liebermannstrasse A02 603
22345 Brun am Gebirge

Tel: +43 223 6677 110
Service-Hotline:
+43 (0) 2236/677 110-501
Website: www.oki.at

Okidata Europe Ltd. (Ukraine)

Raisy Opkinoy Street,8
Building B, 2nd Floor,
Kiev 02002
Ukraine

Tel: +380 44 537 5288
e-mail: event@oki.ua
Website: www.oki.ua

Okidata Sistem ve Yazıcı Çözümleri Tic. Ltd. Şti.

Harman sok Duran Is Merkezi,
No:4, Kat:6,
34394, Levent
İstanbul

Tel: +90 212 279 2393
Faks: +90 212 279 2366
Web: www.oki.com.tr

Okidata Systems (Belgium)

Medialaan 24
1800 Vilvoorde

Helpdesk: 02-2574620
Fax: 02 2531848
Website: www.oki.be

Okidata Systems (Denmark) a/s

Herstedøstervej 27
2620 Albertslund
Danmark

Adm.: +45 43 66 65 00
Fax: +45 43 66 65 90
E-mail: saig@oki.dk /
support@oki.dk
Website: www.oki.dk

Oki Systems (Finland) Oy

Polaris Capella
Vänrikinkuja 3
02600 Espoo

Tel: +358 (0) 207 900 800
Fax: +358 (0) 207 900 809
Website: www.oki.fi

Oki Systems (Holland) b.v.

Neptunstraat 27-29
2132 JA Hoofddorp

Helpdesk: 0800 5667654
Tel: +31 (0) 23 55 63 740
Fax: +31 (0) 23 55 63 750
Website: www.oki.nl

Oki Systems (Norway) AS

Tevlingveien 23
N-1081 Oslo

Tel: +47 (0) 63 89 36 00
Telefax: +47 (0) 63 89 36 01
Website: www.oki.no

Var vänlig kontakta din
Återförsäljare i första hand, för
konsultation. I andra hand kontakta

Oki Systems (Sweden) AB

Borgafjordsgatan 7
Box 1193
164 26 Kista

Tel. +46 (0) 8 634 37 00
e-mail: info@oki.se
Website: www.oki.se

Oki Systems (Schweiz)

Baslerstrasse 15
CH-4310 Rheinfelden

Support deutsch +41 61 827 94 81
Support français +41 61 827 94 82
Support italiano +41 061 827 9473

Tel: +41 61 827 9494
Website: www.oki.ch

Oki Data Americas Inc. (United States • États-Unis)

2000 Bishops Gate Blvd.
Mt. Laurel, NJ 08054
USA

Tel: 1-800-654-3282
Fax: 1-856-222-5247
<http://WWW.OKIPRINTINGSOLUTIONS.COM>
<http://my.okidata.com>

Oki Data Americas Inc. (Canada • Canadá)

4140B Sladeview Crescent Unit 7 & 8
Mississauga, Ontario
Canada L5L 6A1

Tél: 1-905-608-5000
Télé: 1-905-608-5040
<http://WWW.OKIPRINTINGSOLUTIONS.COM>

Oki Data Americas Inc. (Amérique Latine (OTRO))

2000 Bishops Gate Blvd.
Mt. Laurel, NJ 08054
USA

Tel (Español): 1-856-222-7496
1-856-222-5276
Fax: 1-856-222-5260
Email: LASatisfaction@okidata.com

Oki Data de Mexico, S.A. de C.V.

Mariano Escobedo #748, Piso 8
Col. Nueva Anzures
C.P. 11590, México, D.F.

Tel: 52-555-263-8780
Fax: 52-555-250-3501
<http://WWW.OKIPRINTINGSOLUTIONS.COM>

Oki Data do Brasil Informática Ltda.

Av. Alfredo Egidio de Souza Aranha,
100 - 5º Andar - Bloco C
Chácara Santo Antonio - São Paulo,
SP - Brasil
CEP: 04726-170

Tel: 55-11-3543-5500 (Grande São Paulo)
0800-11-5577 (Demais localidades)
Fax: 55-11-3444-3501
email: okidata@okidata.com.br
HTTP: www.okiprintingsolutions.com

Argentina/Chile/Paraguay/Perú/Uruguay**Oki Data Americas, Inc.**

Sucursal Argentina
Ugarte 3610 Piso 4° (1605) Olivos
Buenos Aires, Argentina

TEL: +54 11 5288 7500
Fax: +54 11 5288 7599

Colombia/Ecuador/Venezuela/Centroamérica y Caribe Oki Data Americas, Inc.

Sucursal Colombia
Carrera 13 #97-51, Oficina 101
Bogotá Colombia

TEL: +57 1 704 5159

Oki Data (Singapore) Pte. Ltd.

438A Alexandra Road #02-11/12,
Lobby 3, Alexandra Technopark
Singapore(119967)

Tel: (65) 6221 3722
Fax: (65) 6594 0609
<http://www.okidata.com.sg>

Oki Systems (Thailand) Ltd.

1168/81-82 Lumpini Tower,
27th Floor Rama IV Road
Tungmahamek, Sathorn
Bangkok 10120

Tel: (662) 679 9235
Fax: (662) 679 9243/245
<http://www.okisysthai.com>

Oki Data(Australia) Pty Ltd.

Level1 67 Epping Road, Macquarie
Park
NSW 2113, Australia

Tel: +61 2 8071 0000
(Support Tel: 1800 807 472)
Fax: +61 2 8071 0010
<http://www.oki.com.au>

OKI Data New Zealand

8 Antares Place Rosedale,
Auckland, 0632 New Zealand

Tel: (64) 9 477 0500
Fax: (64) 9 477 0549
<http://www.oki.co.nz/>

Oki Data(S) P Ltd. Malaysia Rep Office

Suite 21.03, 21st Floor Menara IGB,
Mid Valley City,
Lingkaran Syed Pura 59200,
Kuala Lumpur, Malaysia

Tel: (60) 3 2287 1177
Fax: (60) 3 2287 1166

OKI

PT340/341

Manual do utilizador

PREFÁCIO

Foram feitos todos os esforços, no sentido de garantir que a informação contida neste documento é completa, precisa e actualizada. O fabricante não assume qualquer responsabilidade pelo resultado dos erros fora do seu controlo. O fabricante também não pode garantir que alterações no software e no equipamento feitas por outros fabricantes e referidas neste manual não afectarão a aplicabilidade da informação contida nele. Menções a produtos de software fabricados por outras companhias não constituem necessariamente um aval da parte do fabricante.

Embora tenham sido envidados todos os esforços para tornar este manual o mais preciso e útil possível, não nos responsabilizamos, expressa ou implicitamente, pela exactidão ou integralidade da informação nele contida.

Todos os direitos são reservados pela Oki Data Corporation. Não pode efectuar cópia não autorizada, transferência, tradução, ou acções relacionadas. Tem que obter autorização escrita da Oki Data Corporation antes de efectuar qualquer das acções acima.

© 2013 Oki Data Corporation

OKI é uma marca registada de Oki Electric Industry Co., Ltd.

Energy Star é uma marca comercial da United States Environmental Protection Agency.

Microsoft, Windows, Windows Server e Windows Vista são marcas registadas de Microsoft Corporation.

Apple, Macintosh, Rosetta, Mac e Mac OS são marcas registadas de Apple Inc.

Outros nomes de produtos e marcas são marcas comerciais registadas ou marcas comerciais dos respectivos proprietários.



Como Participante no Programa Energy Star, o fabricante determinou que este produto cumpre com as directrizes de eficiência energética da Energy Star.



Este produto está de acordo com os requisitos do Council Directivas 2014/30/EU (EMC), 2014/35/EU (LVD), 2014/53/EU (RED) e 2011/65/EU RoHS, conforme emendado, onde aplicável, com vista à aproximação à legislação dos Estados-membros relativamente à Compatibilidade electromagnética, Baixa tensão, Equipamento terminal de rádio e telecomunicações, Produtos consumidores de energia e Restrição de utilização de determinadas substâncias perigosas em equipamentos eléctricos e electrónicos.

Os seguintes cabos foram utilizados para avaliar este produto de forma a atingir a conformidade com a directiva EMC observância 2014/30/EU e configurações que não esta poderão afectar essa observância.

TIPO DE CABO	COMPRIENTO (METROS)	NÚCLEO	BLINDAGEM
Alimentação	2.0	×	×
USB	5.0	×	✓
Serial (25pin)	15.0	×	✓
Serial (9pin)	15.0	×	✓
LAN	5.0	×	×
Gaveta	1.8	×	×

AVISO! Este é um produto de classe A, tal como definido em EN55022. Num ambiente doméstico, este produto poderá causar interferência de rádio. Se isso acontecer, o utilizador poderá ter de tomar medidas adequadas.

FABRICANTE

Oki Data Corporation,
4-11-22 Shibaura, Minato-ku,
Tóquio 108-8551,
Japão

Para informações sobre vendas, assistência ou questões gerais, contacte o seu distribuidor local.

IMPORTADOR PARA A UE/REPRESENTANTE AUTORIZADO

OKI Europe Limited (operando como OKI Printing Solutions)

Blays House
Wick Road
Egham
Surrey, TW20 0HJ
Reino Unido

Para informações sobre vendas, assistência ou questões gerais, contacte o seu distribuidor local.

INFORMAÇÃO AMBIENTAL



Informazioni sul software open source utilizzato dalla "PT340/PT341"






La "PT340/PT341" utilizza software open source concesso sotto licenze GNU GPL, LGPL, BSD License e simili.

Il testo completo delle licenze utilizzati in questo software è contenuto nella cartella seguente.

Nome unità : \Manual

License.txt

Descrição dos símbolos de segurança exibidos no equipamento

No.	Símbolo	Descrição
1		"LIG." (energia) Para indicar a conexão à rede elétrica, pelo menos para interruptores da rede elétrica ou suas posições.
2		Espera Para identificar o interruptor ou mudar a posição por meio do qual parte do equipamento é ligado, a fim de trazê-lo para a condição de Espera.
3		Aviso geral/cuidado Para identificar um aviso geral/cuidado.
4		Cuidado, superfície quente Para indicar que o item marcado pode estar quente e não deve ser tocado sem cuidado.
5		Corrente contínua Para indicar na placa de classificação que o equipamento é adequado apenas para corrente contínua; para identificar terminais relevantes.
6		Corrente alternada Para indicar na placa de classificação que o equipamento é adequado apenas para corrente alternada; para identificar terminais relevantes.

Índice

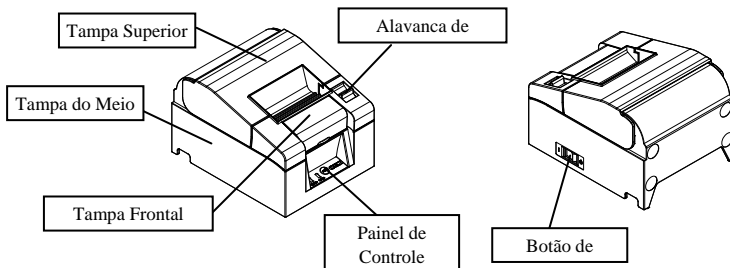
1. Aparência e Nome dos Componentes.....	5
1-1. Nomes dos Componentes.....	5
1-2. Conteúdos da Embalagem.....	6
2. Adaptador AC	7
3. Especificações do Papel.....	8
3-1. Largura do Papel.....	8
3-2. Espessura do Papel	8
3-3. Rolo de Papel.....	8
3-4. Papel Térmico Recomendado.....	9
4. Preparação	10
4-1. Conectando o Cabo de Interface (à impressora)	11
4-2. Conectando o Cabo da Interface (ao PC)	13
4-3. Conectando o Cabo Kick da Gaveta	15
4-4. Conectando o Adaptador AC e o Cabo.....	16
4-5. Removendo o adaptador AC.....	19
4-6. Instalando a Impressora.....	20
4-7. Força Ligada	24
4-8. Instalando o Software da Impressora.....	25
5. Inserindo Papel.....	26
5-1. Abrindo a Tampa Superior	26
5-2. Configuração da Largura do Papel (Largura: 58mm / 80mm) .	28
5-3. Configurando o Papel	30
5-4. Fechando a Tampa Superior.....	32
6. Painel de Controle	33
6-1. Painel de Controle.....	33
6-2. Indicações de Erro	34
7. Prevenção do Atolamento de Papel e Remoção.....	36
7-1. Prevenção de Atolamento de Papel.....	36
7-2. Remoção do Atolamento de Papel.....	36
7-3. Se a Tampa Superior Não Abrir	37
8. Resolução de Problemas.....	40
8-1. Problema para Ligar e Outros Erros	40
8-2. Problemas do Cortador	40
8-3. Problemas de Impressão	41
9. Modo Especial (Impressão de Teste, Menu de Configuração...)	42
9-1. Impressão de Teste.....	42
9-2. Alterando a Configuração.....	44
9-3. Configurações de Setup.....	54

9-4. HEX Dump	63
9-5. Linha de Comando	64
9-6. Impressão de Amostra	65
10. Limpeza Regular	70
10-1. Limpando o Suporte de Papel e o Transporte de Papel	70
10-2. Limpando o Rolo de Impressão	71
10-3. Limpando a Cabeça Térmica	72
11. Interface	73
11-1. Interface Serial	73
11-2. Interface USB	76
11-3. Interface LAN	76
11-4. Conector Kick da Gaveta	77
11-5. Especificações da Energia	79
12. Especificações	80
12-1. Especificações Gerais	80
12-2. Especificações do Cortador	83
12-3. Especificações do Fornecimento de Rolos de Papel	83
12-4. Especificações da Interface	83
12-5. Especificações do Meio-Ambiente	84
12-6. Especificações de Confiabilidade	85
13. Precauções de Uso	86
13-1. Precauções Relacionadas ao Papel	86
13-2. Precauções Relacionadas ao Cortador	87
13-3. Precauções da Impressão do Código de Barras/Código 2D	87
13-4. Precauções do Uso da Interface USB	88
13-5. Precauções da Instalação	89
13-6. Precauções de Uso do Conector do Tipo Modular	89

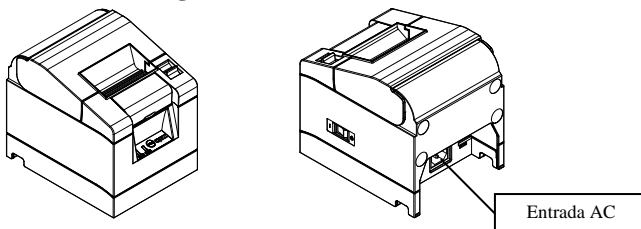
1. Aparência e Nome dos Componentes

1-1. Nomes dos Componentes

Modelo Padrão

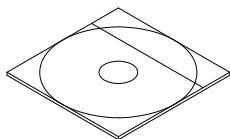


Modelo de Fornecimento de energia Embutido

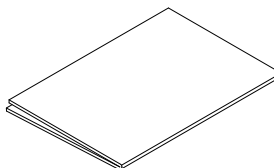


- Tampa Superior
Abra para substituir o papel.
- Alavanca de Liberação
Utilizada para abrir a tampa superior.
- Botão de Energia
Desligue e ligue a energia da impressora.
- Painel de Controle
Contém botões para operar a impressora e lâmpadas que indicam o status da impressora.
- Tampa Frontal
Isto pode ser removido em caso de atolamentos ou quando a tampa superior não abrir.
- Entrada AC
Ligue o cabo de fornecimento de energia AC aqui.

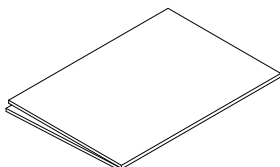
1-2. Conteúdos da Embalagem



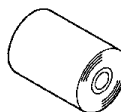
CD



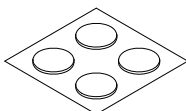
Folha de instrução



Folha de garantia de segurança



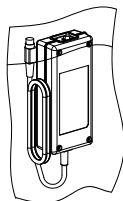
Papel Térmico



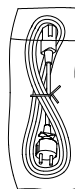
Pés de Borracha
(Para instalação vertical)



Separador de largura de 58mm



Adaptador AC
(Modelo Padrão)



Cabo de força

2. Adaptador AC

Utilize apenas o adaptador AC especificado abaixo.

Item	Nº	Observações
Adaptador AC	KA02951-0120	Entrada: 100 a 240V AC, 50-60Hz Saída: 24V $\pm 5\%$, 1.5A

⚠ Cuidado: Utilize apenas os adaptadores AC.

⚠ Cuidado: Não utilize o adaptador AC embalado para nenhum equipamento elétrico além desta impressora.

3. Especificações do Papel

Utilize apenas o rolo de papel térmico especificado abaixo.

3-1. Largura do Papel

- Papel de 80 mm $80mm_{-1.0}^0$
- Papel de 58 mm $58mm_{-1.0}^0$

3-2. Espessura do Papel

- 65 - 85 μ m

3-3. Rolo de Papel

- Diâmetro externo: $\phi 83$ mm ou menos
- Diâmetro do núcleo: $\phi 12 \pm 0,5$ mm (interno) / $\phi 18 \pm 0.5$ mm (externo)
- Superfície de impressão: Parte do rolo
- Tratamento de fim do papel: O rolo de papel não deve ser colado ao núcleo.
O fim do papel também não pode ser dobrado.

⚠ Cuidado: Não utilize rolos que possuem lados grossos ou lados pelos quais saem pedaços do papel. Tal papel pode causar alimentação instável do papel, resultando em problemas na impressão.

3-4. Papel Térmico Recomendado

Fabricante	Nome do produto	Característica de Qualidade	Espessura do Papel	Densidade
Oji Paper Co., Ltd.	PD160R	Papel térmico monocromático (tipo de preservação de alto-grau)	75µm	100%
	PD190R	Papel térmico monocromático (tipo de preservação de meio-grau)	75µm	100%
Nippon Paper Industries Co., Ltd.	TF60KS-E	Papel térmico monocromático (tipo normal)	75µm	100%
	TP60KS-F1	Papel térmico monocromático (tipo de preservação de meio-grau)	75µm	100%
	TF50KS-E	Papel térmico monocromático (tipo normal)	65µm	100%
	TF62KS-E	Papel térmico monocromático (tipo normal)	85µm	100%

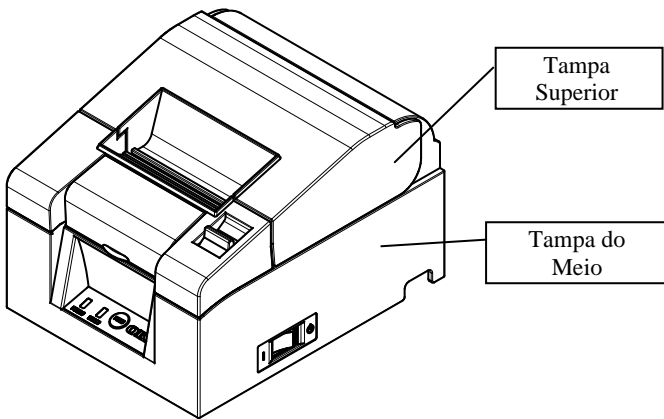
⚠ Cuidado: Utilizar papel não recomendado pode causar danos na cabeça de impressão, má-qualidade da impressão, etc.

4. Preparação

Nenhum cabo de impressão é fornecido com o produto. Obtenha um cabo de impressão adequado para a interface do produto. Caso você tenha alguma questão, consulte seu revendedor. Antes de conectar ou desconectar os cabos, certifique-se do seguinte:

- (1) A energia da impressora e todos os outros dispositivos conectados à impressora estão desligados.
- (2) O cabo de energia do adaptador AC foi desconectado da tomada.

⚠ Cuidado: Ao conectar os cabos ou mover a impressora, segure a parte do meio da tampa da impressora em ambos os lados. Segurar a tampa superior pode fazer com que ela se abra.



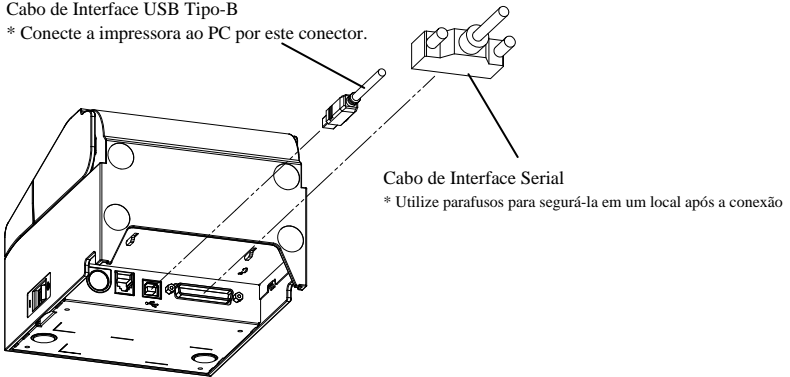
4-1. Conectando o Cabo de Interface (à impressora)

4-1-1 Impressoras com interfaces serial e USB

Modelo Padrão

Cabo de Interface USB Tipo-B

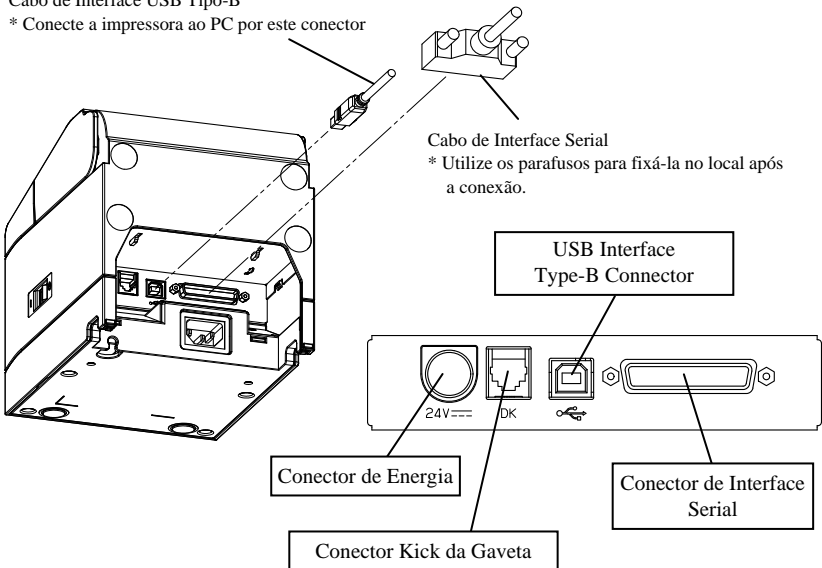
* Conecte a impressora ao PC por este conector.



Modelo de Fornecimento de Energia Embutido

Cabo de Interface USB Tipo-B

* Conecte a impressora ao PC por este conector



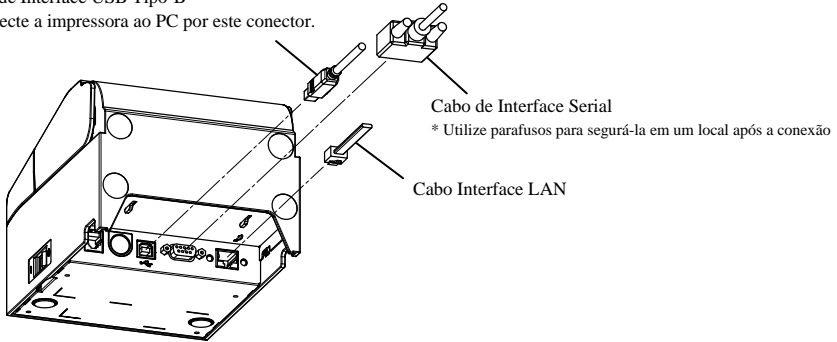
⚠ Cuidado: Não conecte ambas as interfaces serial e USB ao mesmo tempo.

4-1-2 Impressoras com interfaces serial, USB e LAN

Modelo Padrão

Cabo de Interface USB Tipo-B

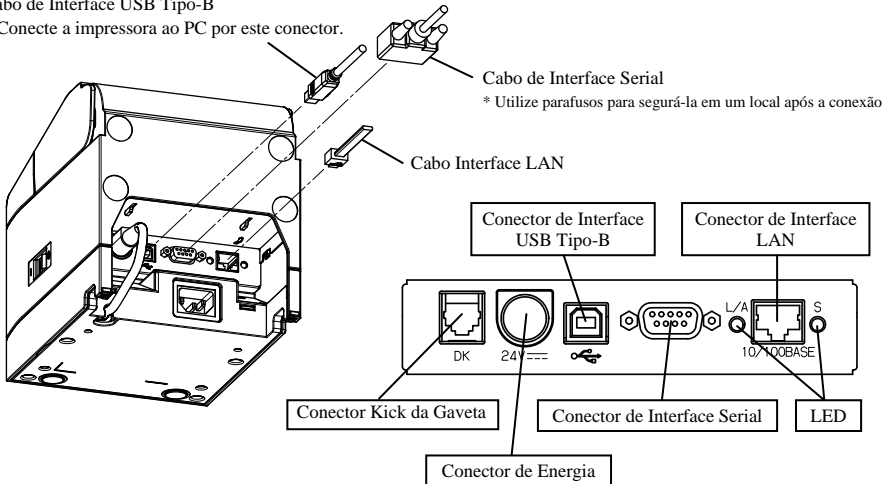
* Conecte a impressora ao PC por este conector.



Modelo de Fornecimento de Energia Embutido

Cabo de Interface USB Tipo-B

* Conecte a impressora ao PC por este conector.

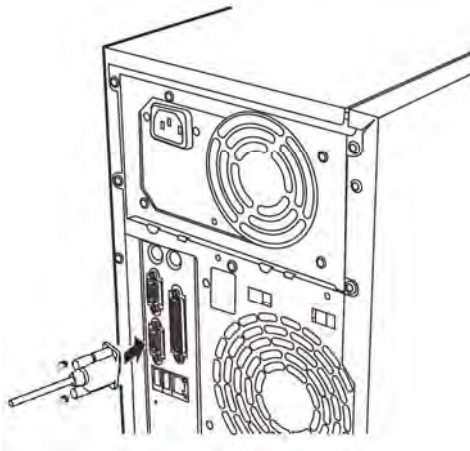


- ⚠ **Cuidado:** Interfaces múltiplas não podem ser conectadas simultaneamente.
- ⚠ **Cuidado:** Embora esta impressora suporte 3 interfaces diferentes, ela está configurada com as Definições de LAN no momento do envio. Por isso, se pretender usar as interfaces serial ou USB, certifique-se de alterar as definições antes de utilizar. Para mais detalhes sobre como mudar as definições de configuração, consulte “9-4. Definições de Configuração de LAN”.

4-2. Conectando o Cabo da Interface (ao PC)

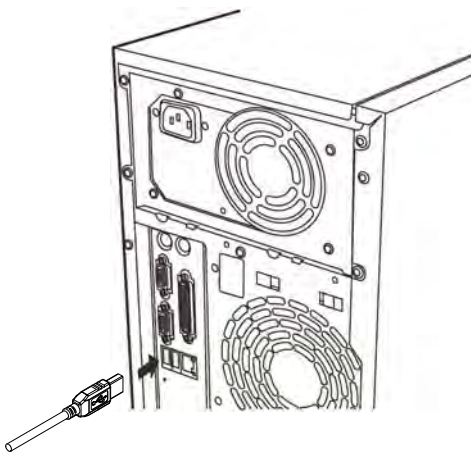
4-2-1 Interface Serial

- (1) Conecte o conector do cabo da interface serial à porta serial no computador, como mostrado na figura.



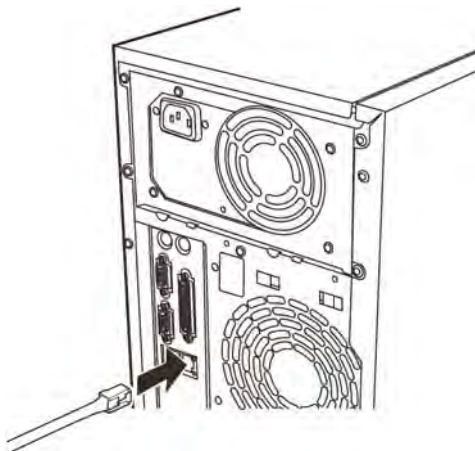
4-2-2 Interface USB

- (1) Conecte o conector do cabo da interface USB à porta USB no computador, como mostrado na figura.



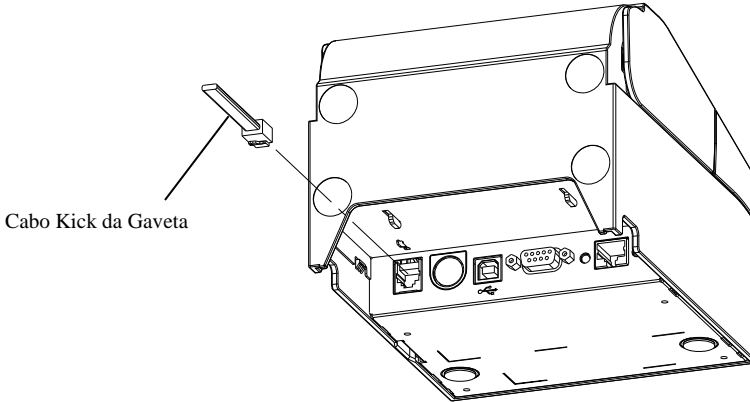
4-2-3 Interface LAN

- (1) Conecte o conector do cabo da interface LAN à porta LAN no computador, como mostrado na figura.

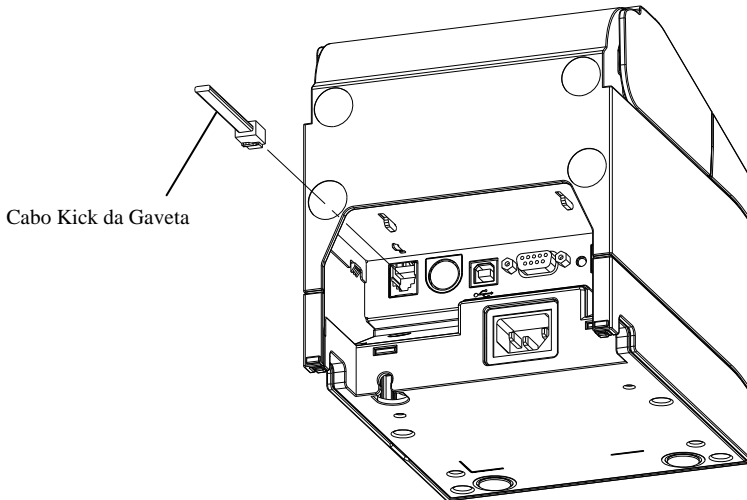


4-3. Conectando o Cabo Kick da Gaveta

Modelo Padrão



Modelo de Fornecimento de Energia Embutido

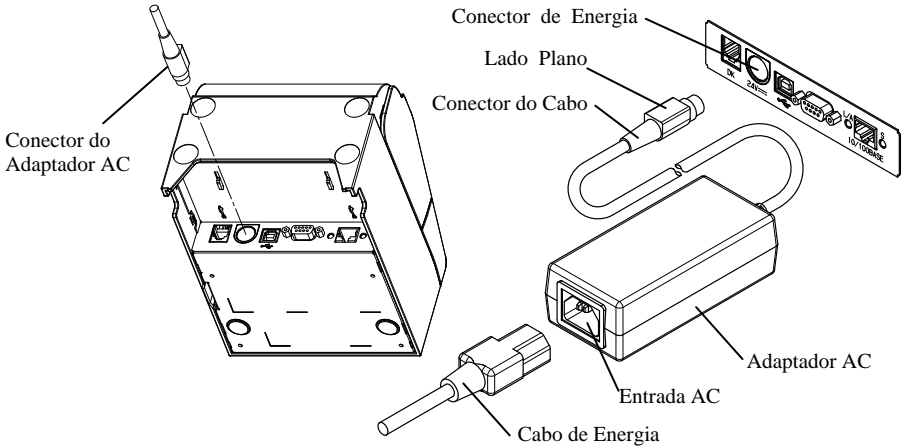


⚠ Cuidado: Este produto utiliza um conector modular de propósito especial para a gaveta de dinheiro. Não tente utilizar outros tipos de conectores como conectores de telefone público.

4-4. Conectando o Adaptador AC e o Cabo

Modelo Padrão

(1) Conecte o conector do cabo do adaptador AC ao conector de energia.

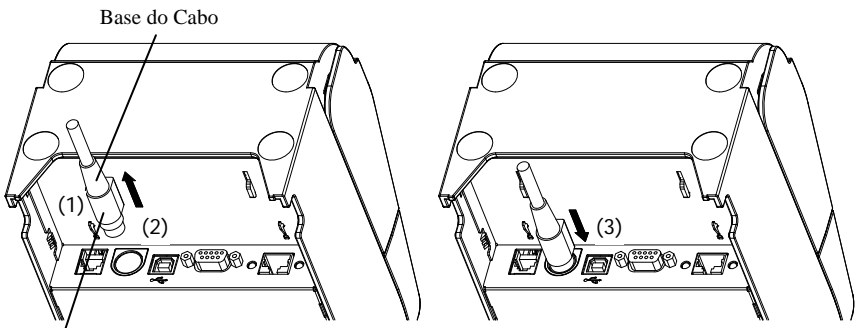


⚠ Cuidado: Antes de conectar o adaptador AC, desligue os botões de energia na impressora e de todos os dispositivos conectados à impressora. Também, remova o plugue do cabo de energia do adaptador AC da tomada.

⚠ Cuidado: Utilize os adaptadores AC especificados.

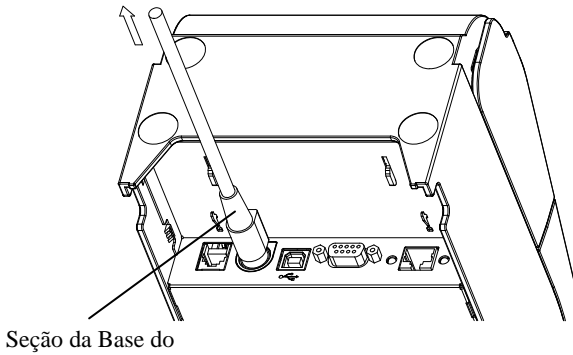
⚠ Cuidado: Realize a conexão do adaptador com o dispositivo colocado verticalmente para fácil operação.

⚠ Cuidado: Conforme o conector é anexado no local após a inserção para prevenir que ele caia, ao realizar a inserção, (1) prenda a base do cabo com uma mão, (2) desliza a parte externa do conector para cima com a outra mão (3) e empurre-o até que ele trave no local.

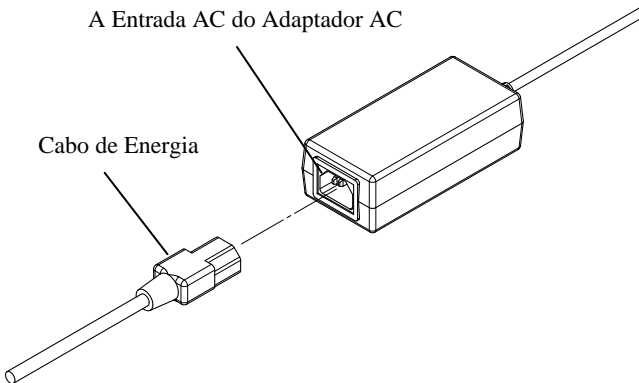


A Seção Externa do Conector

- (2) Confirme se o cabo está travado no local ao puxar gentilmente a base do cabo após a conexão.



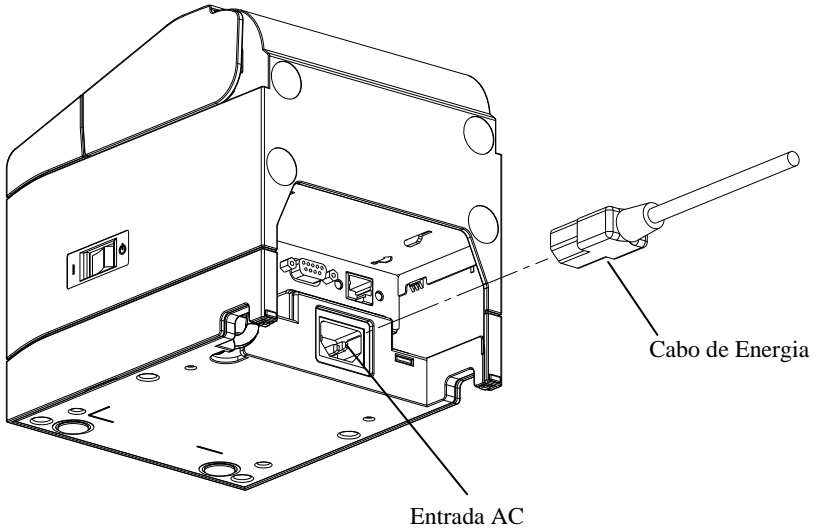
- (3) Conecte o conector de energia da entrada AC do adaptador AC.



- (4) Insira o plugue do cabo de energia na tomada.

Modelo de Fornecimento de Energia Embutido

- (1) Conecte o conector de energia à entrada AC.

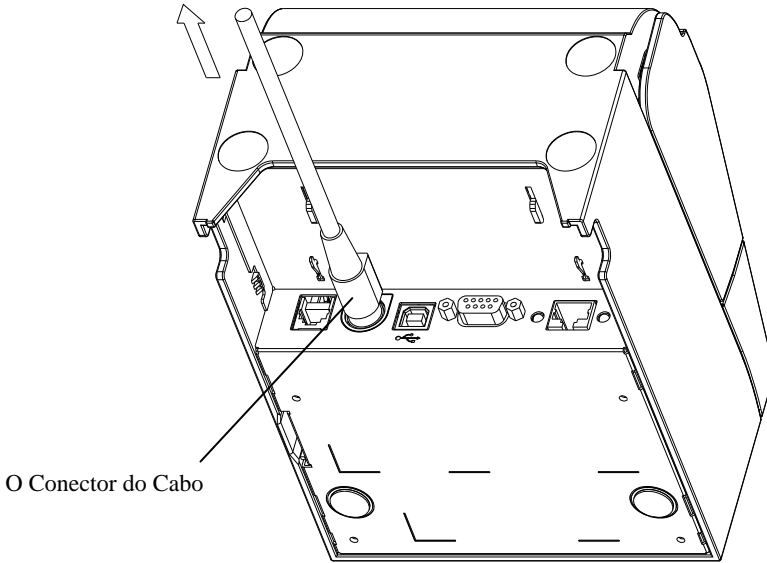


- ⚠ Cuidado:** Antes de conectar o cabo de energia, desligue os botões de energia na impressora e de todos os dispositivos conectados à impressora. Também, remova o plugue do cabo de energia da tomada.
- ⚠ Cuidado:** Realize a conexão do cabo de energia com o dispositivo colocado verticalmente para fácil operação.
- ⚠ Cuidado:** Se o dispositivo for instalado verticalmente, utilize um cabo de energia angulado para direita.

- (2) Insira o plugue do cabo de energia na tomada.

4-5. Removendo o adaptador AC

Para remover o cabo do adaptador AC, puxe-o enquanto prende a seção do conector no lado do cabo, conforme mostrado na figura a seguir. A trava é liberada, facilitando sua remoção. Puxar o cabo com força irá danificar a seção do conector.



- ⚠ **Cuidado:** Antes de remover o adaptador AC, desligue os botões de energia na impressora e de todos os dispositivos conectados à impressora. Também, remova o plugue do cabo de energia do adaptador AC da tomada.
- ⚠ **Cuidado:** Realize a remoção do adaptador com o dispositivo colocado verticalmente para fácil operação.

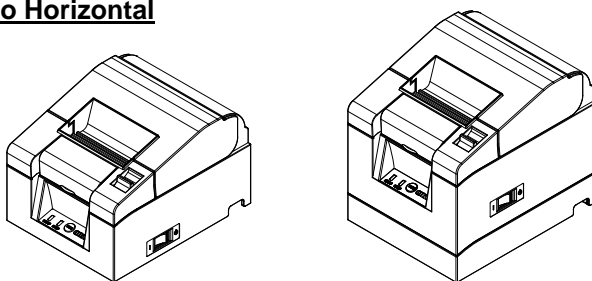
4-6. Instalando a Impressora

As orientações tanto para a instalação horizontal (a saída de papel está no lado superior) quanto para a instalação vertical (a saída de papel está no lado frontal) estão disponíveis.

No caso de instalação vertical, anexar a tampa à prova de respingos opcional pode proteger a impressora da água.

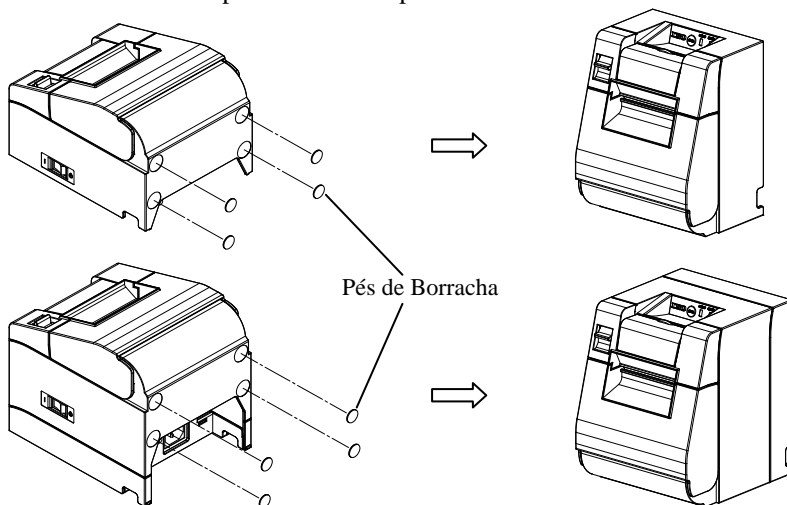
A impressora também pode ser afixada à parede utilizando o suporte de fixação na parede opcional.

Instalação Horizontal



Instalação Vertical

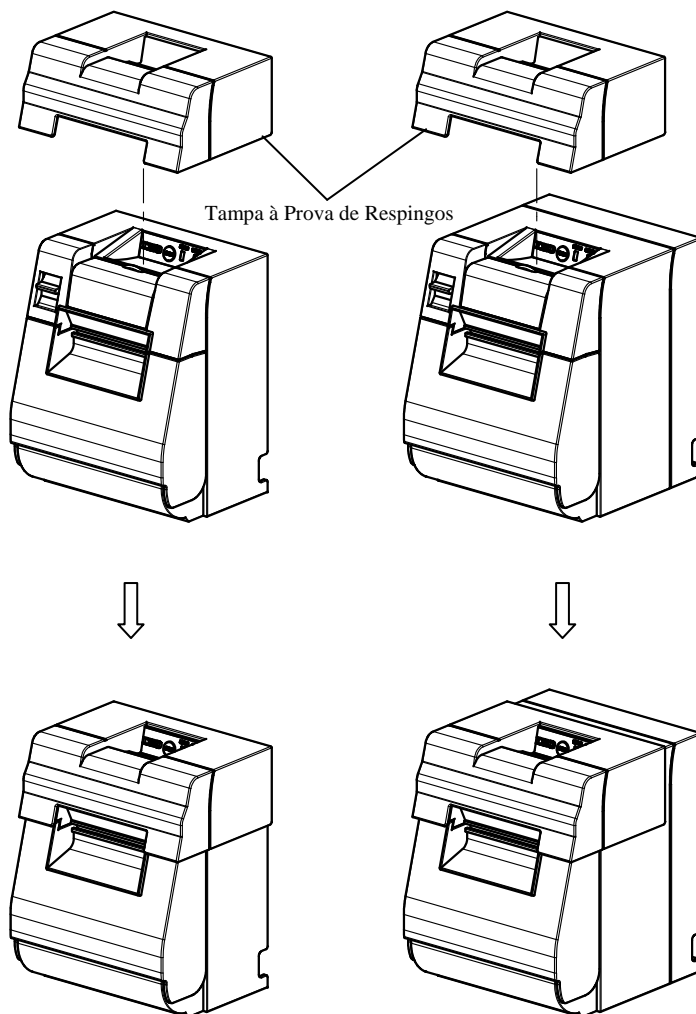
Se a impressora for instalada verticalmente, crave o pé de borracha anexado nas fissuras redondas na tampa traseira da impressora.



⚠ Cuidado: Antes de colocar os pés de borracha, limpe qualquer sujeira dentro das fissuras.

Tampa à Prova de Respingos (Opcional)

Monte a tampa à prova de respingos na parte superior quando a impressora for instalada verticalmente.

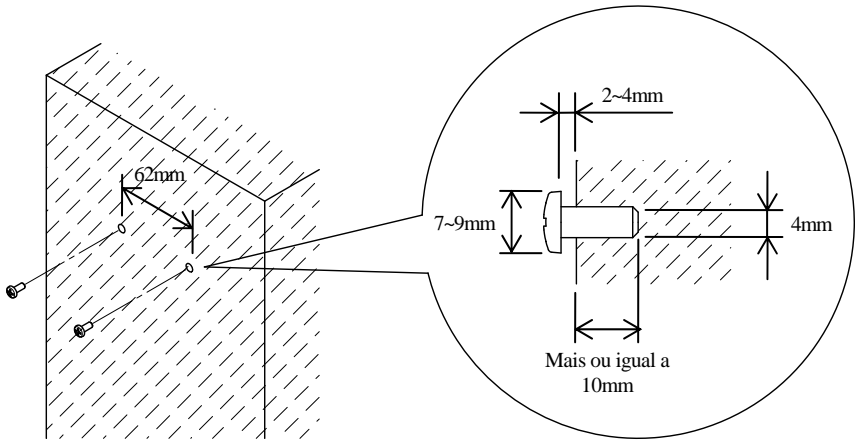


⚠ Cuidado: A tampa à prova de respingos é utilizada apenas para instalação vertical.

Suporte de Parede (Opcional)

Para fixar a impressora à uma parede, siga os procedimentos abaixo:

- (1) Monte dois parafusos de metal (diâmetro da rosca: $\Phi 4$, diâmetro da cabeça: $\Phi 7$) na parede, espaçado com 62 mm de distância em uma linha horizontal, de forma que o comprimento de cada parafuso entrando na parede tenha, no mínimo, 10 mm e o comprimento saliente externo seja de 2-4mm.



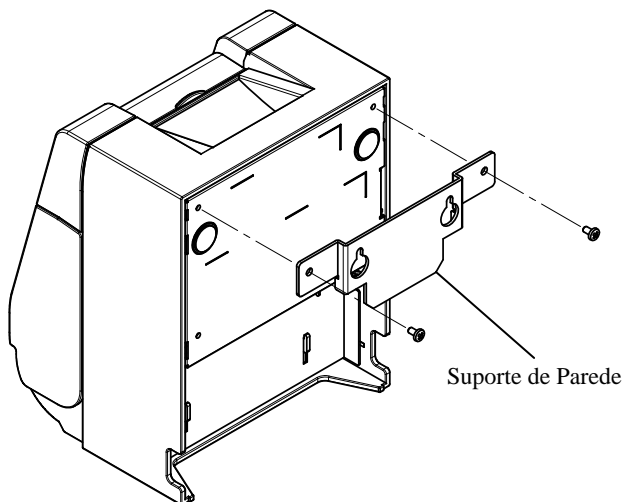
⚠ Cuidado: Para fixar a impressora firmemente, monte o suporte de parede em uma parede de madeira, concreto ou metal. Recomenda-se que a espessura da parede seja de 10 mm ou mais.

Utilize parafusos de metal.

É necessário que os parafusos colocados na parede tenham uma força de extração de 150N (15,3 kgf) ou mais.

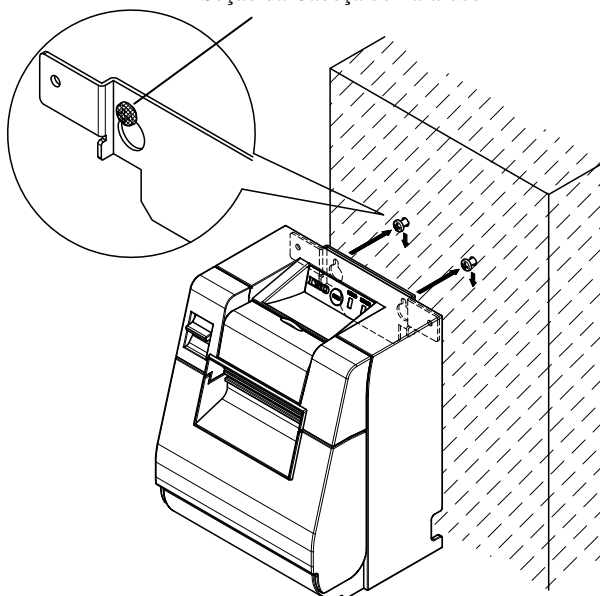
⚠ Cuidado: O suporte de parede pode ser utilizado apenas para impressoras que utilizam um adaptador AC externo (Modelo Padrão).

- (2) Anexe o suporte de parede à impressora e fixe-o de forma segura com os parafusos embutidos.



- (3) Alinhe os furos do suporte de parede com os parafusos colocados na parede e pendure a impressora de forma segura.

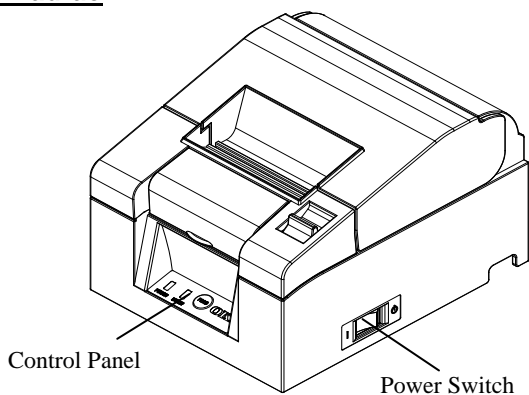
Seção da Cabeça de Parafuso



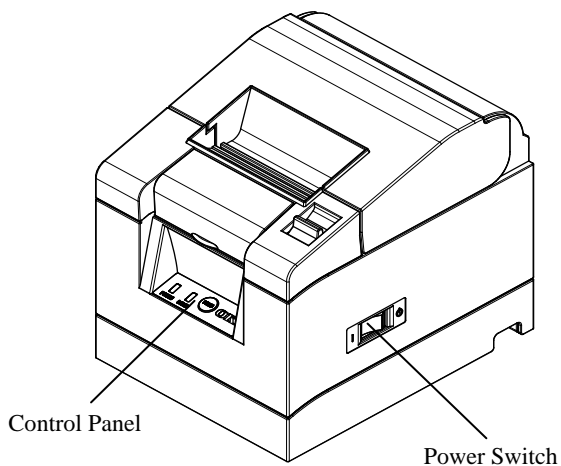
4-7. Força Ligada

- (1) Conecte o cabo de energia de acordo com 4-4 acima.
- (2) Ligue o botão de energia na lateral da impressora.
Após ligar a energia, a lâmpada POWER no painel de controle irá se acender.

Modelo Padrão



Modelo de Fornecimento de Energia Embutido



4-8. Instalando o Software da Impressora

Vide o “Installation Guide” (Guia de Instalação) (*1) no CD incluso para instruções sobre a instalação do driver da impressora e o software do utilitário.

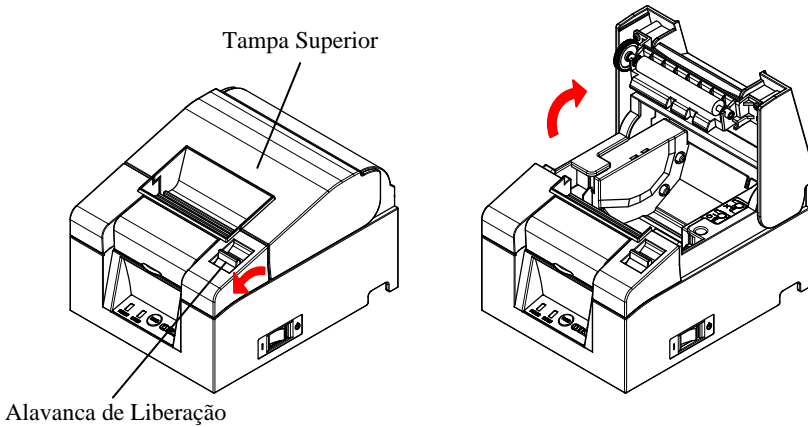
*1: \Manuals\PT340-341_InstallGuide_en.pdf

O “Installation Guide” (Guia de Instalação) também pode ser visualizado ao carregar o CD no drive de CD do seu PC e selecionando “Manuals” na tela “Setup” que aparece.

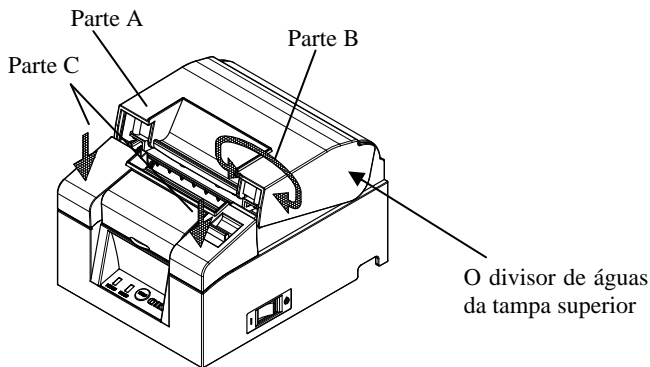
5. Inserindo Papel

5-1. Abrindo a Tampa Superior

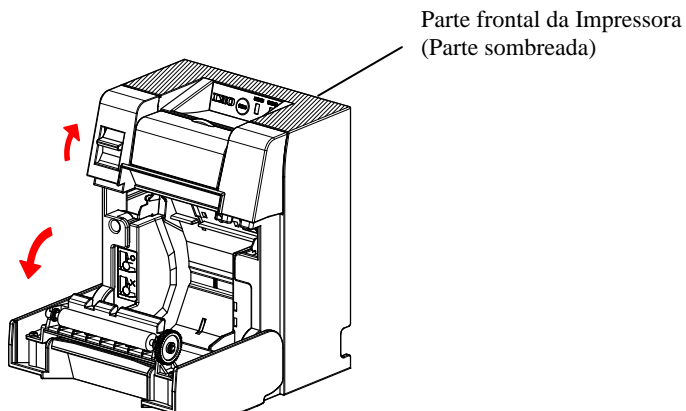
(1) Puxe a alavanca de liberação na direção da flecha e abra a tampa superior.



⚠ Cuidado: Levante a tampa até que ela fique na posição vertical, de forma a mantê-la aberta.



⚠ Cuidado: Para abrir a tampa, utilize qualquer lado da parte C para manter a impressora estável e utilize a parte A ou B para levantar a tampa. Para prevenir que seus dedos sejam espremidos, não toque na área ao redor da dobradiça da tampa superior.



⚠ Cuidado: Ao utilizar a impressora verticalmente, firme a parte frontal da impressora (parte escura na figura acima) para abrir a tampa superior.

5-2. Configuração da Largura do Papel (Largura: 58mm / 80mm)

Como a configuração padrão para a largura do papel é de 80 mm, siga as instruções em “5-3. Configurando o Papel” para ajustar o rolo de papel ao utilizar o papel de 80 mm.

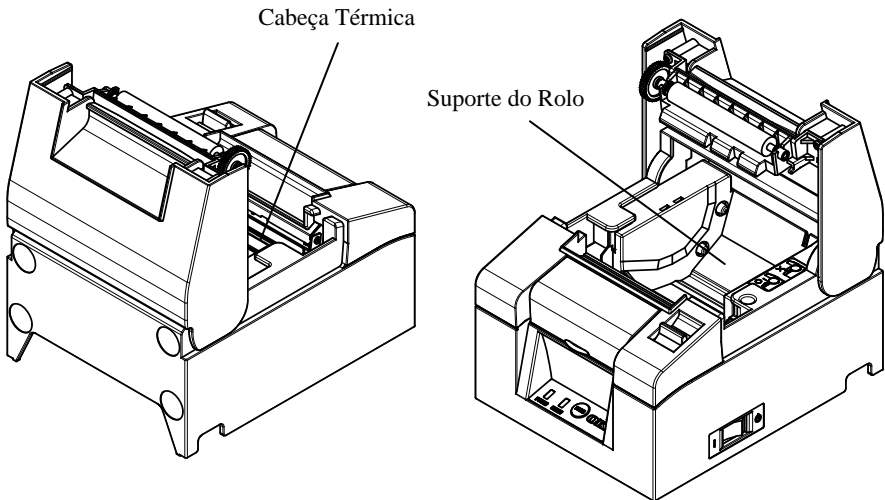
Ao utilizar o papel de 58 mm, primeiro anexe o separador de acordo com as instruções em “5-2-1. Anexando o Separador” e ajuste o rolo de papel.

Além disso, siga as instruções em “9-2. Mudando a Configuração” para ajustar a “Largura do Papel” no setup da impressora para “58 mm/35 colunas” ou “58 mm/32 colunas”.

⚠ Cuidado: Não altere da largura do papel 58 mm para largura do papel de 80 mm quando a impressão estiver em andamento. Ao utilizar o papel de largura estreita, uma parte da cabeça térmica pode entrar em contato direto com o rolo de impressão sem nenhum papel presente. Isso fará com que a cabeça se desgaste, resultando em má-qualidade da impressão.

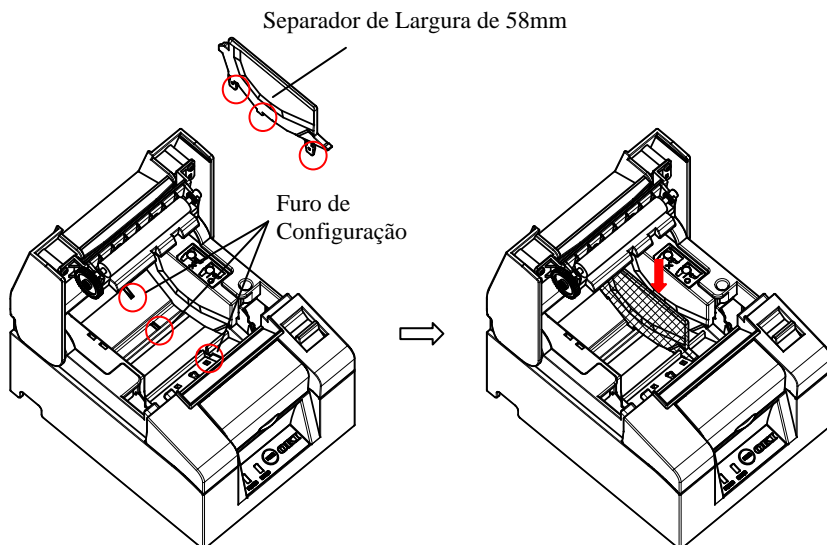
Além disso, conforme a lâmina de corte trabalha em seções sem papel, a lâmina de corte pode se desgastar, resultando em um corte ruim.

⚠ Cuidado: Posto que a cabeça térmica possa ser danificada pela eletricidade estática, não toque na cabeça térmica, exceto para limpeza.



5-2-1 Anexando o Separador

- (1) Alinhe as três garras do separador de largura de 58 mm fornecido com os furos correspondentes no corpo da impressora, e empurre-as no lugar.



- ⚠ **Cuidado:** Empurre a placa até que ela se trave, com um som de clique e confirme se o lado superior do separador está horizontal.
- ⚠ **Cuidado:** Ao mover o separador siga as instruções na seção Modo Especial para ajustar a largura do papel e alinhá-lo com a área de impressão.
(Vide 9. Modo Especial: 9-2. Alterando a Configuração)

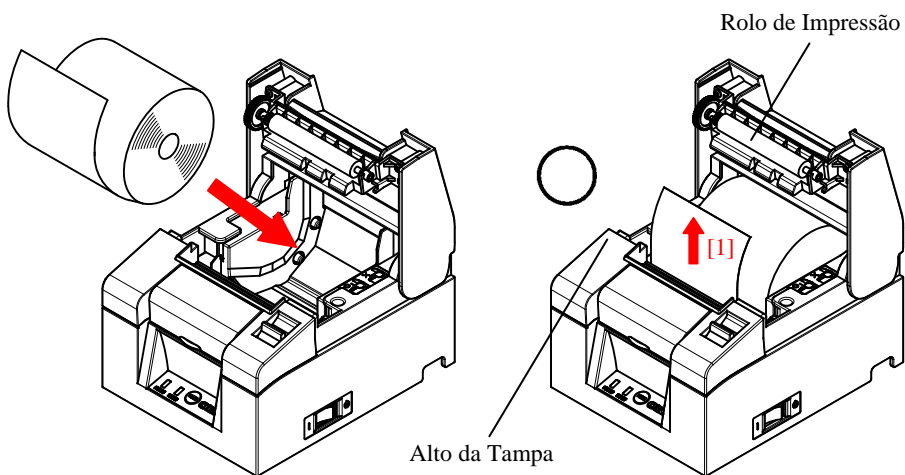
5-3. Configurando o Papel

- (1) No caso de um novo rolo de papel, remova a porção colada e a fita.
Ao substituir o rolo de papel, primeiro remova o antigo núcleo de papel.

⚠ Cuidado: Posto que a porção colada do papel não deva receber impressão, remova aproximadamente uma volta (cerca de 30 cm) do rolo de papel do início, para que o papel remanescente não contenha cola.

Qualquer adesivo ou outro material remanescente da cola pode aderir à cabeça térmica e causar um problemas, como vácuos nas impressões. Portanto, não se esqueça de remover a porção colada do papel.

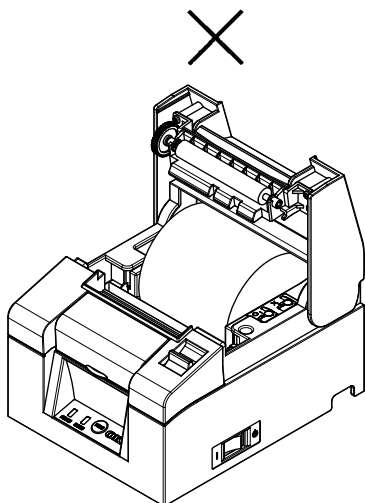
- (2) Após inserir o novo rolo de papel com a orientação mostrada, puxe o fim do papel na direção indicada pela flecha [1].



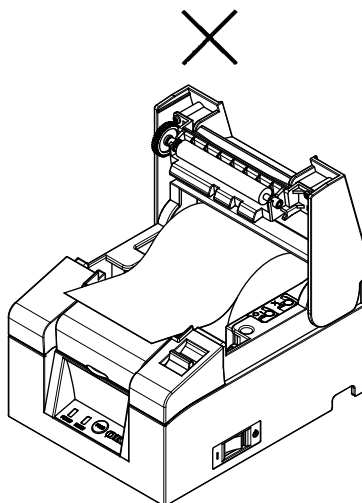
⚠ Cuidado: Puxe o fim do papel para que ele passe sobre a parte superior da tampa.

⚠ Cuidado: Não danifique ou amasse o rolo de impressão. Amassados no rolo de impressão irão causar lacunas na impressão e/ou falha de alimentação da linha.

⚠ Cuidado: Ajustar o papel conforme mostrado nas figuras a seguir pode causar atolamentos de papel ou impressão.

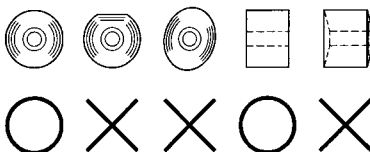


O papel não passa sobre o alto da impressora.



O papel foi ajustado de forma incorreta.

⚠ Cuidado: Não utiliza rolo de papel deformado. Utilizar rolos como estes mostrados abaixo pode causar problemas como atolamentos de papel ou impressão.

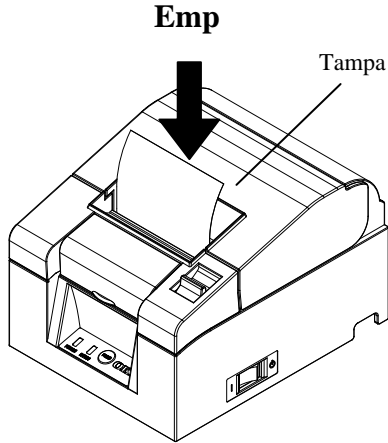


⚠ Cuidado: Se o rolo de papel estiver solto (frouxo) como mostrado abaixo, remova a frouxidão antes de utilizar o rolo. Utilizar sem remover a frouxidão pode causar atolamentos de papel ou impressão ou resultar em falha para detectar a condição de fim do papel próximo.

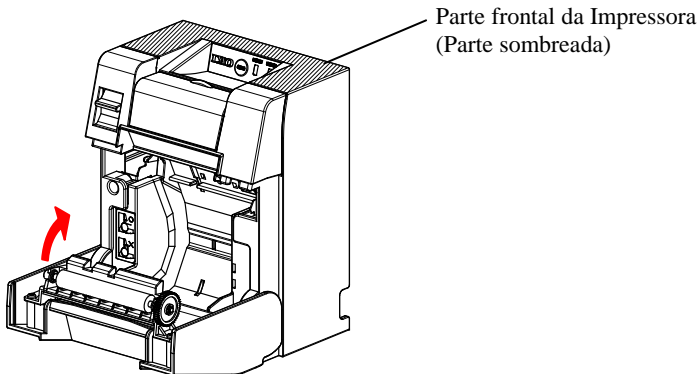


5-4. Fechando a Tampa Superior

Ajuste o papel corretamente e cuidadosamente feche a tampa superior.



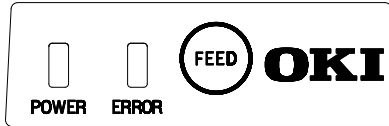
- ⚠ **Cuidado:** Ajuste o papel corretamente. Fechar a tampa superior enquanto o papel é enviesado pode causar um atolamento de papel ou impressão confusa.
- ⚠ **Cuidado:** Ao fechar a tampa superior, feche-a de forma segura pressionando ao redor da posição central (mostrado pela flecha na figura) até ouvir um som de clique. Se a tampa não for travada no local, a impressora pode não funcionar.



- ⚠ **Cuidado:** Quando a impressora é montada verticalmente, utilize a frente da impressora (parte escurecida na figura acima) para mantê-la estável ao abrir a tampa superior.

6. Painel de Controle

6-1. Painel de Controle



Lâmpada POWER (●)

Se o botão de energia estiver ligado e a impressora estiver recebendo energia, essa luz irá se acender.

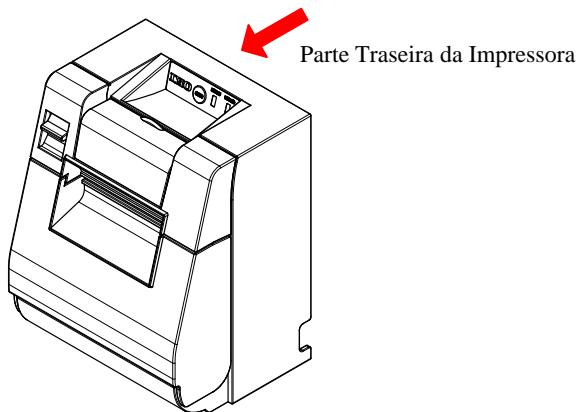
Lâmpada ERROR (●)

Essa lâmpada se acende ou pisca para indicar um erro.

Botão FEED

Apertar esse botão uma vez faz com que a impressora alimente o papel por uma quantidade equivalente a uma linha.

Segurá-lo alimenta o papel continuamente.


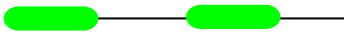


⚠ Cuidado: Quando a impressora é montada verticalmente, sempre segure a parte traseira da impressora quando você pressiona o botão FEED para manter a impressora estável e prevenir que ela caia.

6-2. Indicações de Erro

Erros Recuperáveis

Estado do Erro	Lâmpada LED	Padrão de Piscagem
Sem papel	POWER (●)	Constantemente ligada
Fim do papel	ERROR (●)	Constantemente ligada
Tampa aberta	POWER (●)	Constantemente ligada
	ERROR (●)	Constantemente ligada
Retenção da guilhotina	POWER (●)	Constantemente ligada
	ERROR (●)	Constantemente ligada

Estado do Erro	Lâmpada LED	Padrão de Piscagem
Papel próximo do fim	POWER (●)	Constantemente ligada
	ERROR (●)	
Cabeça quente	POWER (●)	
	ERROR (●)	● Permanece inalterado.

Erros irre recuperáveis

Estado do Erro	Lâmpada LED	Padrão de Piscagem
Erro interno	POWER(●)	—●—●—
	ERROR(●)	●————
		Repetição de duas piscadas da lâmpada ● e uma piscada da lâmpada ●
Cabeça não instalada	POWER(●)	—●—●—●—
	ERROR(●)	●————
		Repetição de três piscadas da lâmpada ● e uma piscada da lâmpada ●
Baixa voltagem	POWER(●)	—●—●—●—●—
	ERROR(●)	●————
		Repetição de quatro piscadas da lâmpada ● e uma piscada da lâmpada ●
Sobretensão	POWER(●)	—●—●—●—●—●—
	ERROR(●)	●————
		Repetição de cinco piscadas da lâmpada ● e uma piscada da lâmpada ●
Erro do marcador de tempo vigilante	POWER(●)	—●—●—●—●—●—●—●—
	ERROR(●)	●————
		Repetição de oito piscadas da lâmpada ● e uma piscada da lâmpada ●
Erro da ROM Flash SPI	POWER(●)	—●—●—●—●—●—●—●—●—
	ERROR(●)	●————
		Repetição de nove piscadas da lâmpada ● e uma piscada da lâmpada ●

7. Prevenção do Atolamento de Papel e Remoção

7-1. Prevenção de Atolamento de Papel

Não toque no papel enquanto ele estiver saindo, ou antes do corte ser concluído.

Empurrar ou puxar o papel com sua mão enquanto ele está saindo pode causar um atolamento de papel, corte ruim ou má alimentação da linha.

7-2. Remoção do Atolamento de Papel

Em caso de atolamento de papel, remova o papel como segue:

(1) Desligue o botão de energia para desconectar a impressora da energia.

(2) Puxe a alavanca de liberação na sua direção e abra a tampa superior.

Se a tampa não abrir, vide as instruções em “7-3. Se a Tampa Superior Não Abrir”, para remover o atolamento do papel.

(3) Aperte a impressora e remova o papel atolado.

⚠ Cuidado: Ao remover o papel, remova o papel devagar sem puxá-lo forçosamente.

⚠ Cuidado: Posto que a cabeça térmica possa ser danificada pela eletricidade estática, não toque na cabeça térmica. Também não toque na cabeça térmica, pois ela pode continuar quente após a impressão.

(4) Ajuste o papel corretamente e cuidadosamente feche a tampa superior.

⚠ Cuidado: Ajuste o papel corretamente. Fechar a tampa superior enquanto o papel é enviesado pode causar um atolamento de papel ou impressão confusa.

⚠ Cuidado: Ao fechar a tampa superior, feche-a de forma segura pressionando ao redor da posição central até ouvir um som de clique. Se a tampa não for travada no local, a impressora pode não funcionar.

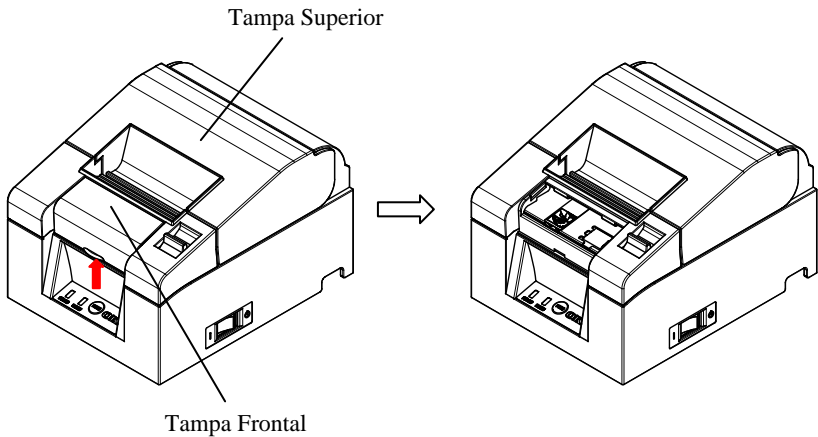
(5) Ligue o botão de energia para conectar a impressora à energia. Também, neste momento confirme se a lâmpada ERROR foi desligada.

⚠ Cuidado: Como os dados de impressão não podem ser recebidos enquanto a lâmpada ERROR está acesa, feche firmemente a tampa superior.

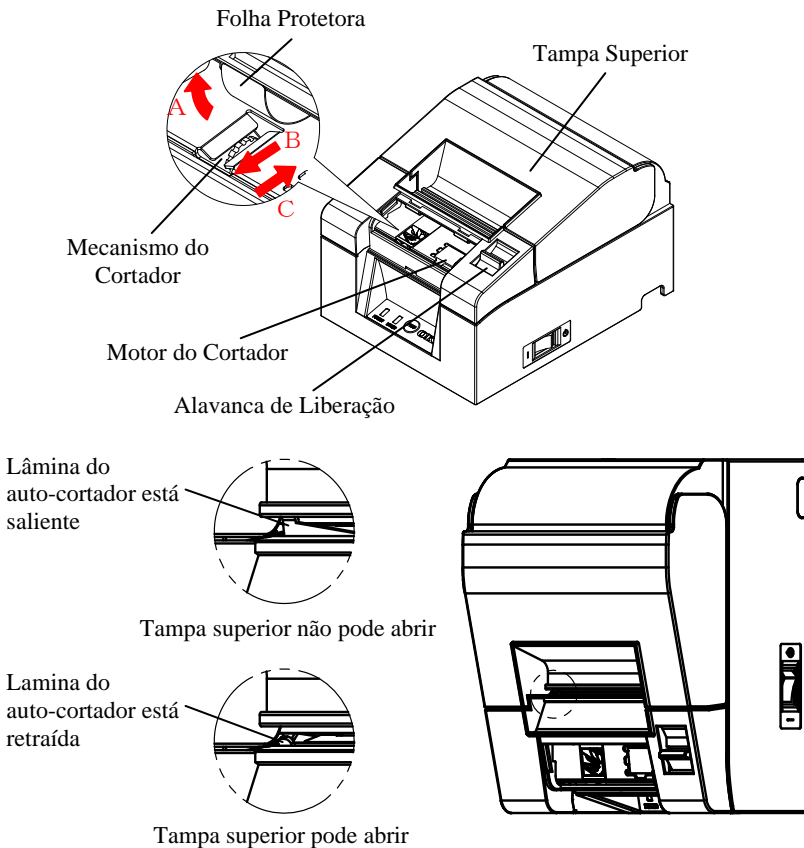
7-3. Se a Tampa Superior Não Abrir

Quando a impressora parar com a amina de corte exposta, devido a alguma anormalidade como atolamento de papel, a tampa superior não irá abrir. Neste caso, ao invés de abrir com força, realize as seguintes etapas:

- (1) Desligue o botão de energia para desconectar a impressora da energia.
- (2) Ligue a energia novamente. Isto fará com que o cortador opere e pode liberar o atolamento de papel.
- (3) Puxe a alavanca de liberação na sua direção para verificar se a tampa superior abre. Caso abra, desligue a energia novamente e siga as instruções da etapa (6) para liberar o atolamento de papel.
Se a tampa superior ainda não puder se abrir após a energia ser ligada, desligue a energia novamente e siga as instruções da etapa (4) para liberar o atolamento de papel.
- (4) Remova a tampa frontal levantando-a, conforme mostrado pela flecha.



- (5) Levante a folha protetora conforme indicado pela flecha A e faça a rotação do mecanismo do cortador na direção indicada pela flecha B, enquanto puxa a alavanca de liberação na sua direção.
- Se a lâmina do auto-cortador falhar em se mover, apesar da rotação do mecanismo do cortador e a tampa superior ainda não abrir, puxe a alavanca de liberação em sua direção e faça a rotação do mecanismo do cortador na direção oposta (indicada pela flecha C) até ser possível abrir a tampa superior.



⚠ Cuidado: Não toque no motor do cortador, pois ele pode continuar quente após a impressão.

⚠ Cuidado: Não toque no auto-cortador, pois sua extremidade da lâmina é afiada e perigosa.

(6) Abra a tampa superior e remova o papel atolado enquanto mantém a impressora estável.

⚠ Cuidado: Ao remover o papel, remova o papel devagar sem puxá-lo forçosamente.

⚠ Cuidado: Posto que a cabeça térmica possa ser danificada pela eletricidade estática, não toque na cabeça térmica. Também não toque na cabeça térmica, pois ela pode continuar quente após a impressão.

(7) Ajuste o papel corretamente e cuidadosamente feche a tampa superior.

⚠ Cuidado: Ajuste o papel corretamente. Fechar a tampa superior enquanto o papel é enviesado pode causar um atolamento de papel ou impressão confusa.

⚠ Cuidado: Ao fechar a tampa superior, feche-a de forma segura pressionando ao redor da posição central até ouvir um som de clique. Se a tampa não for travada no local, a impressora pode não funcionar.

(8) Ligue o botão de energia e ligue a energia da impressora. Também, neste momento confirme se a lâmpada ERROR foi desligada.

⚠ Cuidado: Como os dados de impressão não podem ser recebidos enquanto a lâmpada ERROR está acesa, feche firmemente a tampa superior.

8. Resolução de Problemas

Esta seção fornece soluções para funcionamento defeituoso da impressora e problemas com a qualidade da impressão.

8-1. Problema para Ligar e Outros Erros

Sintoma	Causa	Solução
Embora a energia tenha sido ligada, a lâmpada POWER no painel de controle não acende e a impressora não se inicia.	(1) O cabo de energia está desconectado. (2) O adaptador AC não está ligado na eletricidade.	(1) Conecte o cabo de energia. * Vide 4-4. Conectando o Adaptador AC e o Cabo (2) Conecte o conector do adaptador AC. * Vide 4-4. Conectando o Adaptador AC e o Cabo
A lâmpada ERROR no painel de controle acende e a impressora não funciona.	(1) O papel não está configurado. (2) A tampa superior não está completamente fechada. (3) A cabeça térmica está excessivamente quente.	(1) Ajuste o papel. * Vide 5. Inserindo Papel. (2) Feche a tampa superior completamente. * Vide 5. Inserindo Papel. (3) Aguarde a cabeça térmica esfriar.

8-2. Problemas do Cortador

Sintoma	Causa	Solução
O papel não é cortado.	(1) A lâmina do cortador está danificada ou desgastada. (2) Fragmentos de papel ou outro material estranho estão presos ao redor do cortador ou da seção corredeira.	(1) Desligue a energia e solicite reparo. (2) Remova os fragmentos de papel ou outro material estranho.
O cortador não volta para sua posição correta.	Fragmentos de papel ou outro material estranho estão presos ao redor do cortador ou da seção corredeira.	Remova os fragmentos de papel ou outro material estranho.

8-3. Problemas de Impressão

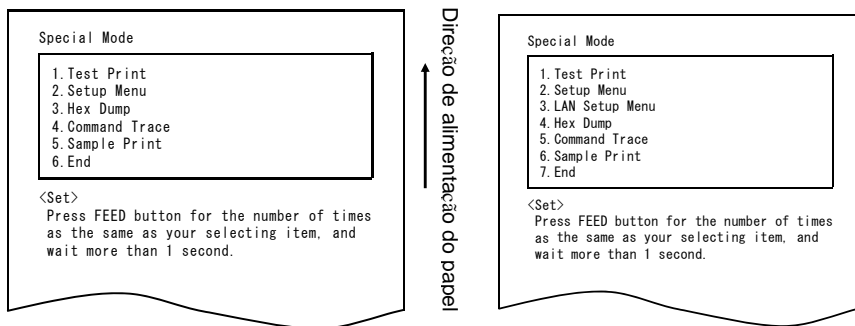
Sintoma	Causa	Solução
A impressora não imprime.	<ol style="list-style-type: none"> (1) O cabo da interface está desconectado ou quebrado. (2) A configuração da impressora não está correta. 	<ol style="list-style-type: none"> (1) Conecte o cabo da interface corretamente, ou substitua-o. * Vide 4-1. Conectando o Cabo da Interface (2) Altere a configuração. Exemplo: Divergência da taxa de Baud * Vide 9-2,9-4. Alterando a Configuração.
Impressão muito escura ou manchada.	<ol style="list-style-type: none"> (1) A configuração da densidade de impressão na impressora está incorreta. (2) A cabeça térmica está danificada. 	<ol style="list-style-type: none"> (1) Ajuste a impressora a uma densidade de impressão e/ou a velocidade de impressão para o papel de impressão. * Vide 9-2. Alterando a Configuração. (2) Desligue a energia e solicite reparo.
Impressão muito fraca.	<ol style="list-style-type: none"> (1) A configuração da densidade de impressão na impressora está incorreta. (2) A cabeça térmica está danificada. 	<ol style="list-style-type: none"> (1) Ajuste a impressora a uma densidade de impressão e/ou a velocidade de impressão para o papel de impressão. * Vide 9-2. Alterando a Configuração. (2) Desligue a energia e solicite reparo.
Impressão está irregular.	<ol style="list-style-type: none"> (1) Fragmentos de papel ou outros materiais estranhos estão presos aos elementos aquecedores da cabeça térmica. (2) A configuração do setup da impressora está incorreta. (3) Material estranho está preso no rolo de impressão. (4) A cabeça térmica está danificada. 	<ol style="list-style-type: none"> (1) Verifique e limpe a cabeça térmica. * Vide 10-3. Limpando a Cabeça Térmica. (2) Ajuste a impressora a uma densidade de impressão e/ou a velocidade de impressão para o papel de impressão. Altere a configuração. * Vide 9-2. Alterando a Configuração. (3) Remova o material estranho do rolo de impressão. * Vide 10-2. Limpando o Rolo de Impressão (4) Desligue a energia e solicite reparo.
Marcas verticais aparecem na impressão.	<ol style="list-style-type: none"> (1) Material estranho está preso ou foi derramado no transporte do papel. (2) Material estranho está preso na cabeça térmica. (3) A cabeça térmica está danificada. 	<ol style="list-style-type: none"> (1) Limpe o transporte de papel. * Vide 10-1. Limpando o Suporte de Papel e o Transporte de Papel (2) Limpe a cabeça térmica. * Vide 10-3. Limpando a Cabeça Térmica. (3) Desligue a energia e solicite reparo.

9. Modo Especial (Impressão de Teste, Menu de Configuração...)

9-1. Impressão de Teste

Garanta que o papel esteja ajustado na impressora. Desligue o botão de energia na impressora, depois ligue-o novamente enquanto pressiona o botão FEED no painel de controle. Isto resultará na impressão que segue.

⚠ Cuidado: Aperte e segure o botão FEED até a impressora começar a impressão.



Impressoras com interfaces
serial e USB

Impressoras com interfaces
serial, USB e LAN

Apertar o botão FEED **uma vez** (selecione 1. Test Print) inicia uma impressão de teste.

A impressora automaticamente corta o papel e para após realizar uma quantidade configurada de impressões. Para encerrar a impressão de teste enquanto estiver em andamento, aperte o botão FEED. Isso cortará o papel e encerrará a impressão.

Impressão de Teste (Exemplo)

O Número do Firmware e a Versão do Firmware variam de acordo com o modelo.
 "123456" é um exemplo de número de série.

```

PT340-341 Ver1.0
123456

Memory Switch 1
Power On Status      Enable
Receive Buffer        4KByte
Busy Condition        Bufferfull
Receive Error         ?Print
Auto LF               Disable
DSR (#6)Reset        Disable
INIT (#25)Reset      Disable
USB Soft Reset       Enable

Memory Switch 2
Cover Open Error     Auto Recovery
Error                 Auto Recovery
Batch (COM IF)       Enable
Batch (Other IF)     Disable
Serial Number        Disable
ASB                   Enable
Font-B                Model

Print
Paper Width           80mm/48columns
Max Speed              220mm/s
Print Density         100%

Hardware
Error Alert           None
Buzzer Interval       Pattern 2
Buzzer Repetition     Three
Graph/User NV-MEM    384KB/192KB
Cut at CoverClose    Disable
PNE Detect             Enable

Interface
Baudrate              115200BPS
Format                8NONE1
Protocol              DSR/DTR
USB                   Printer

! " # $ % & ' ( ) * + , - . / 0 1 2 3 4
5 6 7 8 9 : ; < = > ? @ A B C D E F G H I
J K L M N O P Q R S T U V W X Y Z [ \ ] ^
_ ~ a b c d e f g h i j k l m n o p q r s
    
```

Impressoras com interfaces serial e USB

Direção de alimentação do papel

```

PT340-341 Ver2.0
123456

Memory Switch 1
Power On Status      Enable
Receive Buffer        4KByte
Busy Condition        Bufferfull
Receive Error         ?Print
Auto LF               Disable
DSR (#6)Reset        Disable
USB Soft Reset       Enable

Memory Switch 2
Cover Open Error     Auto Recovery
Error                 Auto Recovery
Batch (COM IF)       Enable
Batch (Other IF)     Disable
Serial Number        Disable
ASB                   Enable
Font-B                Model

Print
Paper Width           80mm/48columns
Max Speed              220mm/s
Print Density         100%

Hardware
Error Alert           None
Buzzer Interval       Pattern 2
Buzzer Repetition     Three
Graph/User NV-MEM    384KB/192KB
Cut at CoverClose    Disable
PNE Detect             Enable

Interface
Baudrate              115200BPS
Format                8NONE1
Protocol              DSR/DTR
USB                   Printer

LAN
Mac Address           [xx:xx:xx:xx:xx:xx]
root Password         "*****"
Printer Name          "PT340-341"
DHCP                  Enable
IP Address            192.168. 1. 1
Subnet Mask           255.255.255. 0
Default Gateway       0. 0. 0. 0

SNMP
Authentic Community   "*****"
Trap Community        "public"
Trap Address(IP)      0. 0. 0. 0
SysContact            ""
SysName               ""
SysLocation           ""
EnableAuthenTrap     Disable(2)

! " # $ % & ' ( ) * + , - . / 0 1 2 3 4
5 6 7 8 9 : ; < = > ? @ A B C D E F G H I
J K L M N O P Q R S T U V W X Y Z [ \ ] ^
_ ~ a b c d e f g h i j k l m n o p q r s
    
```

Impressoras com interfaces serial, USB e LAN

9-2. Alterando a Configuração

Esta seção explica como configurar a impressora sem utilizar um PC. De forma alternativa, quando a impressora está conectada a um PC com Windows, as configurações podem ser alteradas utilizando o software do utilitário no CD incluso.

Para instruções sobre a instalação e utilização do software do utilitário, vide o “Installation Guide” (Guia de Instalação) e o “Utility User’s Guide” (Guia do Usuário do Utilitário), localizados na pasta “Manuals” do CD.

- Guia de Instalação : PT340-341_InstallGuide_en.pdf
- Guia do Usuário do Utilitário : PT340-341_UtilityGuide_en.pdf

O “Installation Guide” (Guia de Instalação) e o “Utility User’s Guide” (Guia do Usuário do Utilitário) também podem ser visualizados ao carregar o CD no drive de CD do seu PC e selecionando “Manuals” na tela “Setup” que aparece.

Exemplo de Configuração alta

Selecione uma densidade de impressão mais

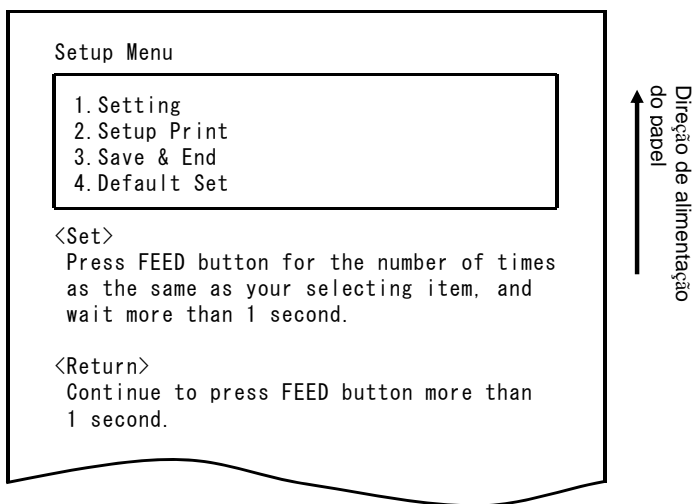
Densidade da Impressão Alterada de 100% a 130%

Realize a configuração da seguinte forma:

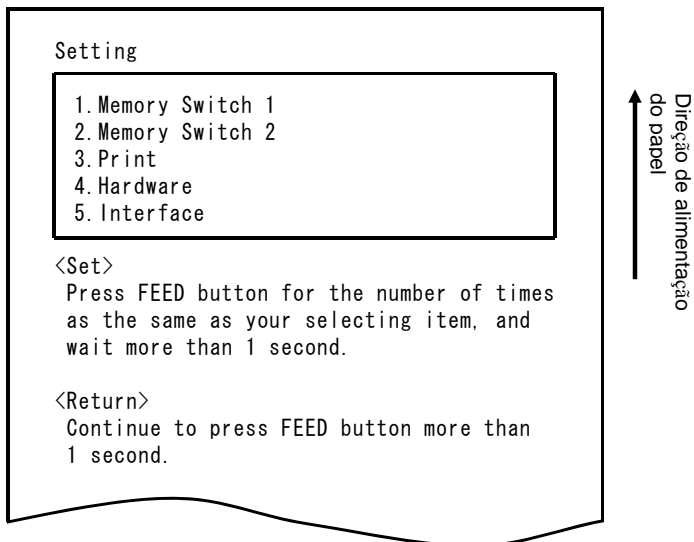
1. Verifique o estado da impressora antes da configuração.
 - (1) A energia está desligada.
 - (2) O rolo de papel está configurado.
 - (3) A tampa está fechada.

2. Garanta que o papel esteja ajustado na impressora. Desligue o botão de energia na impressora, depois ligue-o novamente enquanto pressiona o botão FEED no painel de controle. Isso resultará na impressão mostrada na seção 9-1.

Apertar o botão FEED **duas vezes** (para selecionar 2. Setup Menu) entra no modo de configuração e imprime o menu a seguir.



3. **Apertar** o botão FEED **uma vez** (para selecionar 1. Setting) entra no modo configuração e imprime os seguintes grupos de configuração.



4. **Apertar** o botão FEED **três vezes** (para selecionar 3. Print) seleciona o grupo Impressão e imprime as seguintes opções de configuração.

Print

1. Paper Width	80mm/48columns
2. Max Speed	220mm/s
3. Print Density	100%

<Set>
Press FEED button for the number of times as the same as your selecting item, and wait more than 1 second.

<Return>
Continue to press FEED button more than 1 second.

<Setup Menu>
Continue to press FEED button more than 3 seconds.

↑
Direção de alimentação do papel

5. **Apertar** o botão FEED **três vezes** (selecione 3. Print Density) seleciona a configuração da Densidade de Impressão e imprime as seguintes configurações de Densidade da Impressão.

Print Density 100%

- 1. 70%
- 2. 80%
- 3. 90%
- 4. 100%
- 5. 110%
- 6. 120%
- 7. 130%

<Set>
Press FEED button for the number of times as the same as your selecting item, and wait more than 1 second.

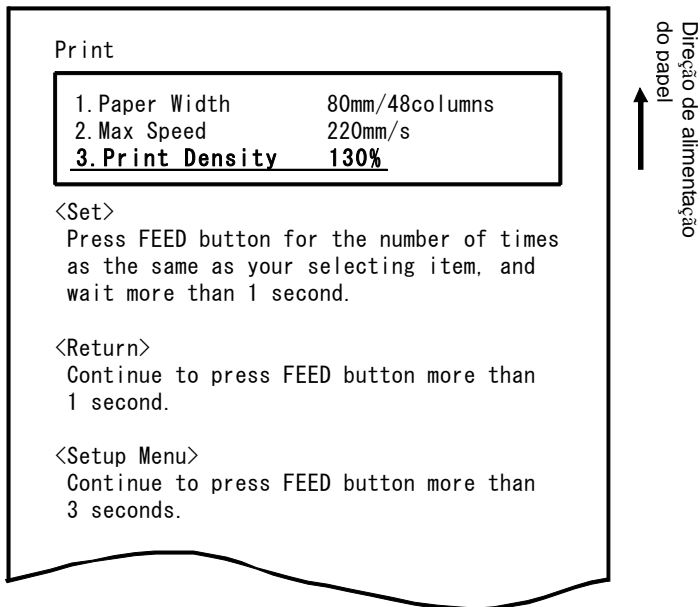
<Return>
Continue to press FEED button more than 1 second.

<Setup Menu>
Continue to press FEED button more than 3 seconds.

Direção de alimentação do papel

6. **Apertar** o botão FEED **sete vezes** (para selecionar 7. 130%) volta para o grupo de configurações de Impressão.

Os itens alterados são exibidos em **negrito e sublinhados**.



Para voltar ao nível anterior (<Return>)

⇒ Ir para 7-1

Para sair diretamente para o menu de configuração

(<Setup Menu>)

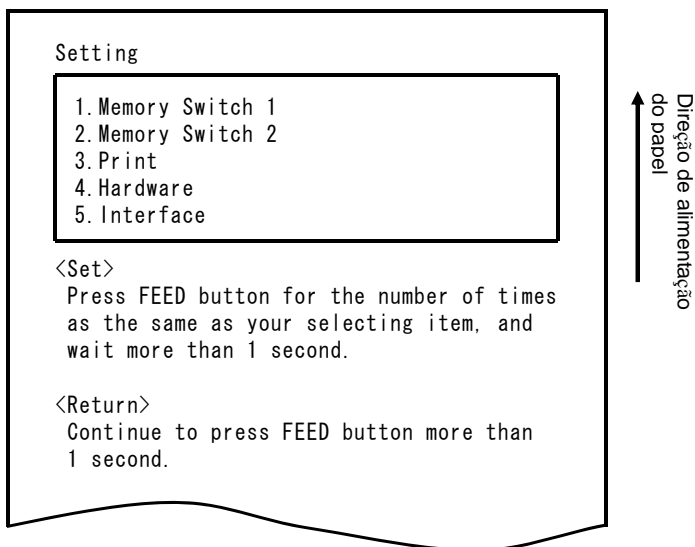
⇒ Ir para 7-2

7-1. Saindo para o Nível Anterior

Segure o botão FEED por **1 segundo ou mais** até que a campainha toque duas vezes.

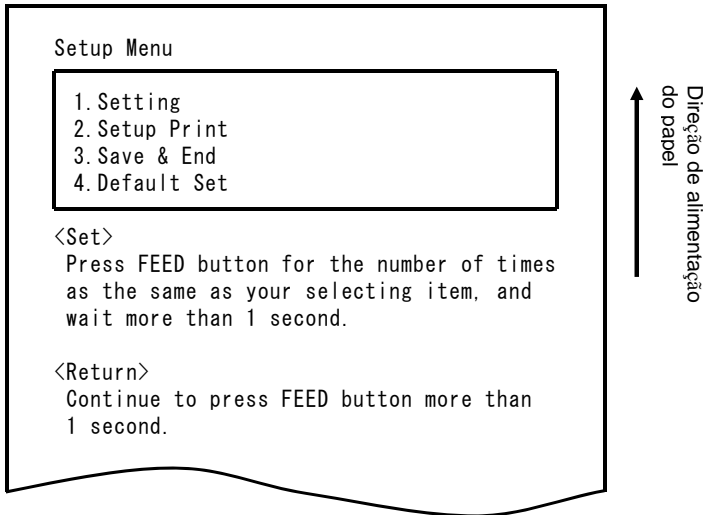
Solte o botão FEED após a campainha tocar.

Isso volta para o nível anterior e imprime as opções do grupo de Configuração.



Segure o botão FEED novamente por **1 segundo ou mais** até que a campainha toque duas vezes. Solte o botão FEED após a campainha tocar.

Isso volta para o nível anterior e imprime o Menu de Configuração.



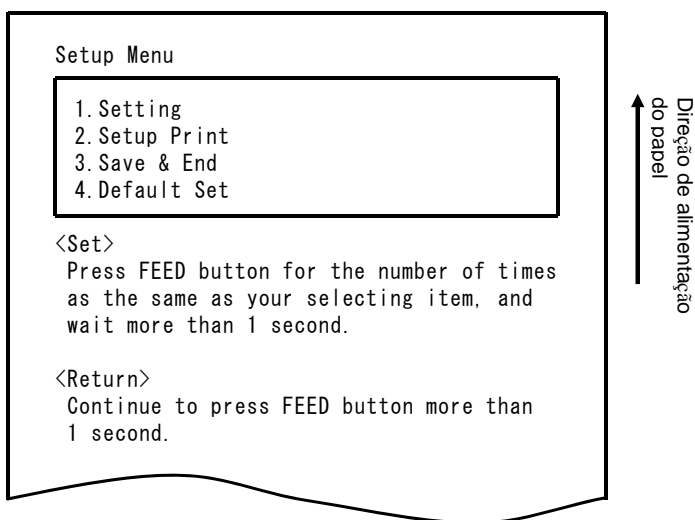
Siga para a etapa 8.

7-2. Saindo Diretamente para o Menu de Configuração

Segure o botão FEED por **3 segundos ou mais** para voltar ao Menu de Configuração.

Embora segurar o botão FEED por um tempo maior faça com que a campainha toque duas vezes após 1 segundo, ignore isso e continue a apertar o botão FEED.

Após aproximadamente 3 segundos, a campainha toca três vezes e o seguinte menu é impresso.



Siga para a etapa 8.

8. Apertar o botão FEED **três vezes** (para selecionar 3. Save & End) salva as configurações, corta o papel e sai do modo de configuração.

⚠ Cuidado: Se o botão de energia da impressora estiver desligado sem selecionar “Save & End”, nenhuma mudança feita será salva.

● Verificando as Configurações

Para verificar se as configurações foram aplicadas, siga as instruções na seção 9.1 para realizar uma impressão de teste.

A impressão de teste inclui uma lista das configurações da impressora. Utilize isso para confirmar suas alterações.

9-3. Configurações de Setup

Grupos de Configuração

Grupo de Configuração		Descrição
1	Memory Switch 1	Configurações do Botão de Memória 1
2	Memory Switch 2	Configurações do Botão de Memória 2
3	Print	Configurações de Impressão
4	Hardware	Configurações do hardware
5	Interface	Configurações da interface serial e USB (Esse grupo não é exibido em impressora com uma interface LAN).

Itens de Configuração e Itens de Configuração Detalhados

(Nota) Os itens de configuração e os valores padrão dependem da área e/ou modelo da impressora.

(1) Memory Switch 1 Group (Grupo do Botão de Memória 1)

Item		Descrição	Valor da Configuração	
1	Power On Status	Especifica a notificação de Energia LIGADA	1 2	Enable (Habilitar) Disable (Desabilitar)
2	Receive Buffer	Especifica o tamanho do buffer de recebimento.	1 2	45bytes 4Kbytes
3	Busy Condition	Ajusta a impressora como OCUPADA (recepção de dados indisponível).	1 2	Buffer full (Buffer cheio) Offline/Buffer full (Offline/Buffer cheio)
4	Receive Error	Especifica o que fazer quando um erro de recebimento ocorre utilizando uma interface serial.	1 2	? Print (Imprimir) Ignore (Ignorar)
5	Auto LF	Especifica se o código CR gera uma linha de alimentação automática.	1 2	Enable (Habilitar) Disable (Desabilitar)
6	DSR(#6) Reset	Especifica se receber um DSR (nº 6) via a interface serial inicia uma reinicialização do hardware.	1 2	Enable (Habilitar) Disable (Desabilitar)
7	INIT(#25) Reset *1	Especifica se receber um INIT (nº 25) via a interface serial inicia uma reinicialização do hardware.	1 2	Enable (Habilitar) Disable (Desabilitar)
8	USB Soft Reset	Especifica se um Reinício Flexível USB inicia uma reinicialização do hardware ao utilizar a classe USB da impressora.	1 2	Enable (Habilitar) Disable (Desabilitar)

*1 “INIT(#25) Reset”

Só impressoras com interfaces serial e USB.

(2) Memory Switch 2 Group (Grupo do Botão de Memória 2)

Item		Descrição	Valor da Configuração	
1	Cover Open Error	Método de recuperação para Erro de Tampa Aberta durante a impressão.	1 2	Auto Recovery (Auto Recuperação) Recovery by CMND (Recuperação por CMND)
2	Error	O que fazer ao ligar ou após a recuperação do erro “Auto Recovery”: Realize a auto recuperação para permitir a recepção de dados. “Recovery by CMND”: Descarte qualquer dado recebido até um comando de reinício ser recebido.	1 2	Auto Recovery (Auto Recuperação) Recovery by CMND (Recuperação por CMND)
3	Batch (COM IF)	Especifica se deve-se utilizar a impressão do lote para a interface serial	1 2	Enable (Habilitar) Disable (Desabilitar)
4	Batch (Other IF)	Especifica se deve-se utilizar a impressão do lote para a interface USB ou LAN	1 2	Enable (Habilitar) Disable (Desabilitar)
5	Serial Number	Especifica a notificação do Número de iSérie para USB “Disable”: Volta para “0” como Número de iSérie. “Enable”: Volta para o número de série de fabricação conforme o Número de iSérie	1 2	Enable (Habilitar) Disable (Desabilitar)
6	ASB	Especifica se deve-se habilitar a função de transmissão de status automática. (ASB: Status Automático de Volta)	1 2	Enable (Habilitar) Disable (Desabilitar)
7	Font-B	Especifica o número de colunas para fonte B (horizontal x vertical) “Mode1” 10x24 “Mode2” 9x24	1 2	Mode1 (Modo1) Mode2 (Modo2)

(3) Print Group (Grupo de Impressão)

Item		Descrição	Valor da Configuração	
1	Paper Width	Largura do papel e número de caracteres por linha	1	80mm/48colunas
			2	80mm/42colunas
			3	58mm/35colunas
			4	58mm/32colunas
2	Max Speed	Velocidade máxima da impressão O máximo para imprimir códigos de barras em escala e códigos bi-dimensionais é de 120 mm/s.	1	100mm/s
			2	110mm/s
			3	120mm/s
			4	130mm/s
			5	140mm/s
			6	150mm/s
			7	160mm/s
			8	170mm/s
			9	180mm/s
			10	190mm/s
			11	200mm/s
			12	210mm/s
			13	220mm/s
			14	250mm/s
			15	270mm/s
			16	300mm/s
3	Print Density	Densidade da Impressão Quanto menor o valor mais baixa a densidade da impressão. Quanto maior o valor mais alta a densidade da impressão.	1	70%
			2	80%
			3	90%
			4	100%
			5	110%
			6	120%
			7	130%

(4) Hardware Group (Grupo do Hardware)

Item		Descrição	Valor da Configuração	
1	Error Alert *1	Se uma campainha soa quando ocorre um erro “None”: Não toca. “One Time”: Toca quatro vezes. “Continuous”: Toca continuamente.	1 2 3	None (Nenhuma) One Time (Uma Vez) Continuous (Contínuo)
2	Buzzer Interval *2	O tom da campainha para utilizar durante a impressão A campainha toca nos seguintes casos durante a impressão: <ul style="list-style-type: none"> • Botão FEED pressionado enquanto a tampa está aberta • Comando da campainha recebido (ESC p03h t1 t2 t3) 	1 2 3 4 5	Pattern 1 (Padrão 1) Pattern 2 (Padrão 2) Pattern 3 (Padrão 3) Pattern 4 (Padrão 4) Pattern 5 (Padrão 5)
3	Buzzer Repetition *2	O número de toques da campainha durante a impressão. Zero especifica sem campainha. A campainha toca nos seguintes casos durante a impressão: <ul style="list-style-type: none"> • Botão FEED pressionado enquanto a tampa está aberta • Comando da campainha recebido (ESC p03h t1 t2 t3) 	1 2 3 4 5 6	Zero (Zero) One (Uma) Two (Duas) Three (Três) Four (Quatro) Five (Cinco)
4	Graph/User NV-MEM	Tamanho da memória do gráfico NV e tamanho da memória NV do usuário Especifica o tamanho da área de registro para imagens gráficas e imagens de bit NV, e o tamanho da área para armazenar quaisquer dados do usuário.	1 2 3 4	384KB/192KB 448KB/128KB 512KB/64KB 576KB/0B
5	Cut at Cover Close	Se deve-se iniciar o cortador quando a tampa está fechada.	1 2	Enable (Habilitar) Disable (Desabilitar)
6	PNE Detect	Se deve-se notificar quando o papel está próximo do fim	1 2	Enable (Habilitar) Disable (Desabilitar)

*1 “Error Alert”

A operação quando um tom de campainha “Continuous” é produzido é a seguinte:

(Nota) Para parar a campainha durante o toque contínuo, pressione o botão FEED.

- Erro Recuperável (excluindo Papel Próximo do Fim)
Toque contínuo de 500mSegLigado/200mSeg Desligado
- Erro de Hardware
Toque contínuo de 1000mSegLigado/500mSeg Desligado

*2 “Buzzer Interval”

Os padrões da campainha são os seguintes:

- Pattern 1 40msLIGADO / 120msDESLIGADO
- Pattern 2 140msLIGADO / 140msDESLIGADO
- Pattern 3 200msLIGADO / 200msDESLIGADO
- Pattern 4 10msLIGADO / 50msDESLIGADO
- Pattern 5 30msLIGADO / 50msDESLIGADO

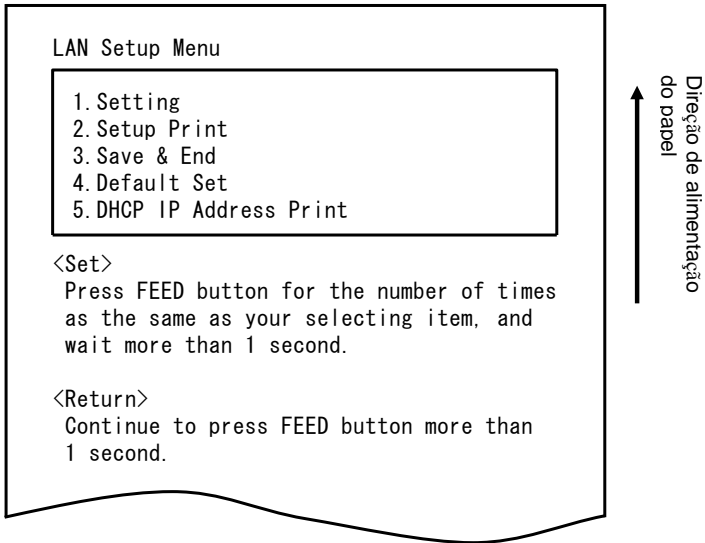
(5) Interface Group (Grupo de Interface)

Item		Descrição	Valor da Configuração	
1	Baud rate	Taxa de baud para a interface serial	1	2400BPS
			2	4800BPS
			3	9600BPS
			4	19200BPS
			5	38400BPS
			6	57600BPS
			7	115200BPS
2	Format	Formato de dados para a interface serial	1	7EVEN1
			2	7ODD1
			3	8NONE1
			4	8ENEN1
			5	8ODD1
3	Protocol	Protocolo de controle do buffer para a interface serial	1	DSR/DTR
			2	XON/XOFF
4	USB	Classe para interface USB	1	Printer(Impressora)
			2	V-COM

9-4. Definições de Configuração de LAN

Garanta que o papel esteja ajustado na impressora. Desligue o botão de energia na impressora, depois ligue-o novamente enquanto pressiona o botão FEED no painel de controle. Isso resultará na impressão mostrada na seção 9-1.

Então, pressione o botão FEED **três vezes** (para selecionar 3. LAN Setup Menu) entra no modo de configuração e imprime o menu a seguir..



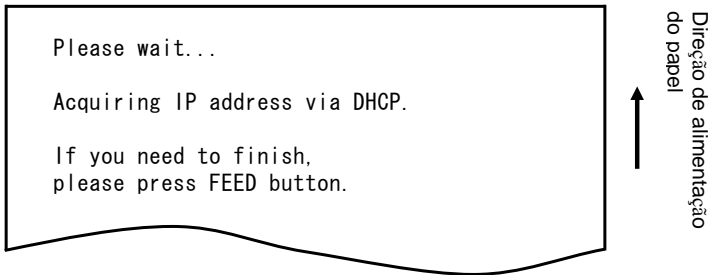
As definições têm o mesmo modo de funcionamento que é descrito no parágrafo 9-2.

Item de Configuração

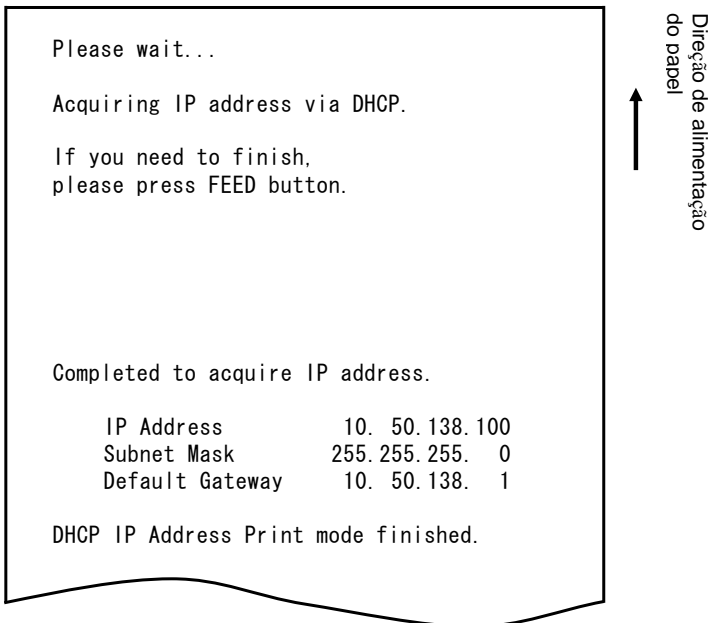
Item		Descrição	Valor da Configuração	
1	LAN	Especificar interface		
		“Enable”: Funciona com interface LAN.	1	Enable (Habilitar)
		“Disable”: Funciona com interface serial ou USB. Se ambos estiverem ligadas, o USB terá prioridade.	2	Disable (Desabilitar)

DHCP IP Address Print

- 1) Selecione “DHCP IP Address Print” para introduzir o Modo de Impressão de Endereço IP como mostrado abaixo. Espere várias dezenas de segundos.



- 2) Quando IP Address, Subnet Mask e Default Gateway tiverem sido adquiridos com sucesso, os valores adquiridos serão impressos e o Modo de Impressão será fechado.



- 3) Se o botão FEED for premido enquanto os valores estiverem a ser adquiridos, o Modo de Impressão será fechado imediatamente, sendo impressa a seguinte mensagem:

“ DHCP IP Address Print mode finished. ”

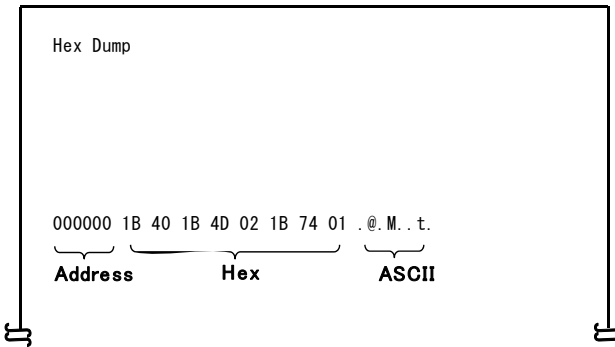
9-5. HEX Dump

Garanta que o papel esteja ajustado na impressora. Desligue o botão de energia na impressora, depois ligue-o novamente enquanto pressiona o botão FEED no painel de controle. Isso resultará na impressão mostrada na seção 9-1.

Apertar o botão FEED **três vezes** (Impressoras com interfaces serial e USB: selecione 3. Hex Dump) ou **quatro vezes** (Impressoras com interfaces serial, USB e LAN: selecione 4. Hex Dump) entra no modo HEX dump.

Este modo imprime todos os dados enviados para a impressora como código hexadecimal. É útil para verificar se os códigos de controle sendo enviados para a impressora pelo programa do computador estão corretos. Para liberar esse modo, desligue o botão de energia e ligue-o novamente.

Impressão HEX Dump (Exemplo)



9-6. Linha de Comando

Garanta que o papel esteja ajustado na impressora. Desligue o botão de energia na impressora, depois ligue-o novamente enquanto pressiona o botão FEED no painel de controle. Isso resultará na impressão mostrada na seção 9-1.

Apertar o botão FEED **quatro vezes** (Impressoras com interfaces serial e USB; selecione 4. Command Trace) ou **cinco vezes** (Impressoras com interfaces serial, USB e LAN; selecione 5. Command Trace) entra no modo linha de comando

Esse modo imprime todos os dados enviados para a impressora no formato ASCII (com explicações do comando ESC/POS). Ele pode ser utilizado para analisar os comandos ESC/POS enviados para a impressora pelo programa do PC.

Para liberar esse modo, desligue o botão de energia e ligue-o novamente.

Impressão da Linha de Comando (Exemplo)

```
Command Trace
<B40:Initialize printer (ESC @)>
<B402:Set ANK font C (ESC M n)>
<B7480:Set character code table (ESC t n)>
<D4200:Disable reverse printing (GS B n)>
<B6102:Set justification RIGHT (ESC a n)>
<C2E:Reset kanji mode (FS .)>
ABC
<0A:Print and line feed (LF)>
```

- Comandos indefinidos ou comandos com parâmetros de comando anormais são tratados como erros e impressos com verso e anverso revertidos.
- Comandos insignificantes e desnecessários são impressos com um grifo, como um aviso.
- Códigos de comando são impressos em negrito.

9-7. Impressão de Amostra

Garanta que o papel esteja ajustado na impressora. Desligue o botão de energia na impressora, depois ligue-o novamente enquanto pressiona o botão FEED no painel de controle. Isso resultará na impressão mostrada na seção 9-1.

Apertar o botão FEED **cinco vezes** (Impressoras com interfaces serial e USB: selecione 5. Sample Print) ou **seis vezes** (Impressoras com interfaces serial, USB e LAN: selecione 6. Sample Print) entra no modo de impressão de amostra.

Esse modo imprime uma explicação da operação do botão FEED, realiza um corte de papel e depois imprime padrões de amostra. (A explicação do botão FEED é impressa apenas na primeira vez).

" Press FEED button.

Short : Next pattern

Long : Same pattern"

Após a impressão, apertar o botão FEED rapidamente (menos que um segundo) imprime as seguintes amostras, uma de cada vez.

* “Recibo” → “Cupom” → “Código de Barras” → “Recibo” um por um.
(Pausas de impressão após cada amostra. Aperte o botão FEED para imprimir a próxima amostra).

Apertar o botão FEED por um longo tempo (um segundo ou mais) imprime a amostra anterior novamente.

Para liberar o modo de impressão de amostra, desligue o botão de energia e ligue-o novamente.

O modo de impressão de amostra realiza um corte após cada folha ser impressa.

O modo de impressão da amostra utiliza o padrão de 80 mm ou 58 mm, dependendo da configuração da largura do papel no setup.

Se um erro recuperável ocorrer, a impressão da amostra é retomada após a recuperação.

A página a seguir mostra exemplos de impressões.


<Imprimindo Resultados da Impressão de Amostra, Padrão de 80 mm>

Padrão "Recibo"

OKI
OKI Supermarket
Tel : 987-654-321

Banana	02,50	1	\$2,50
Beer 350ml	02,40	6	\$14,40
Cake	02,50	3	\$7,50
Slipper	03,80	5	\$19,00
Fairy lamp	0,50	2	\$1,00
Candy	0,11	10	\$1,10
Strawberry	02,45	4	\$9,80
Pie	035,00	1	\$35,00
Pizza	020,00	1	\$20,00
Socks	03,30	6	\$19,80
Aspirin	012,80	1	\$12,80
Wine	099,80	1	\$99,80
Sub total			\$242,70
Tax(5%)			\$12,10
Total			\$254,80

Receipt No. : 9202
Cashier : XXXX
XX-XX-20XX



a 0 1 2 3 4 5 6 7 8 9 0 1 2 3 4 5 6 7 8 9 a

Padrão "Cupom"

OKI
Coupon 20\$ OFF !!
Save 20 dollars on Grape Squash of OKI company.
Issue date : XX, XX, 20XX

OKI will give a REAL LIFE to you





a 0 1 2 3 4 5 6 7 8 9 0 1 2 3 4 5 6 7 8 9 a


NOI. 1234567890


Padrão “Código de Barras”


**** BarCode ****


UPC-A

4 9 3 3 5 2 4 1 0 0 7


UPC-E

9 3 3 5 2 1


EAN8 (JAN8)

4 9 3 3 5 2 4 8
4 9 3 3 5 2 4 8


EAN13 (JAN13)


Codabar (NW-7)

a 1 2 3 4 5 a


ITF

1 2 3 4 5 6 7 8 9 0


Code39

* A B 1 2 3 4 5 *
* A B 1 2 3 4 5 *


Code93


Code128

1 2 3 4 5 6 7 8 9 D
1 2 3 4 5 6 7 8 9 D

**** Two-dimensional Code ****

URcode


PDF417


DataMatrix


<Imprimindo Resultados da Impressão de Amostra, Padrão de 58 mm>

Padrão "Recibo"

OKI
OKI Supermarket
Tel : 997-554-321

Banana	22.50	1	\$2.50
Beer 350ml	22.40	6	\$14.40
Cake	22.50	3	\$7.50
Silencear	25.80	5	\$19.00
Fairy lamp	9.50	2	\$1.00
Candy	9.11	10	\$1.10
Strawberry	22.45	4	\$9.80
Pis	235.00	1	\$35.00
Pizza	220.00	1	\$20.00
Socks	95.50	5	\$19.80
Aspirin	112.80	1	\$12.80
Wine	299.80	1	\$99.80

Sub total \$242.70
Tax (5%) \$12.10
Total \$254.80

Receipt No. : 9202
Casher : XXXX
XX-KV-20XX

Padrão "Código de Barras"

***** BarCode *****
UPC-A

4 9 3 3 5 2 4 1 0 0 7
UPC-E
9 3 3 5 2 1

EAN8(JAN8)
4 9 3 3 5 2 4 8

4 9 3 3 5 2 4 8
EAN13(JAN13)

Codabar (NN-7)

a 1 2 3 4 5 a
ITF
1 2 3 4 5 6 7 8 9 0

Code93
* A B 1 2 3 4 5 *

* A B 1 2 3 4 5 *
Code93

Code128
1 2 3 4 5 6 7 8 9 0

1 2 3 4 5 6 7 8 9 0
***** Two-dimensional Code *****
QRcode

PDF417

DataMatrix

OKI
Coupon 20\$ OFF!!
Save 20 dollars on Fresh Smoothie or OKI Cinnamon.
Issue date : MM/YY
OKI will give a REAL LIFE to you!

NO.1234567890

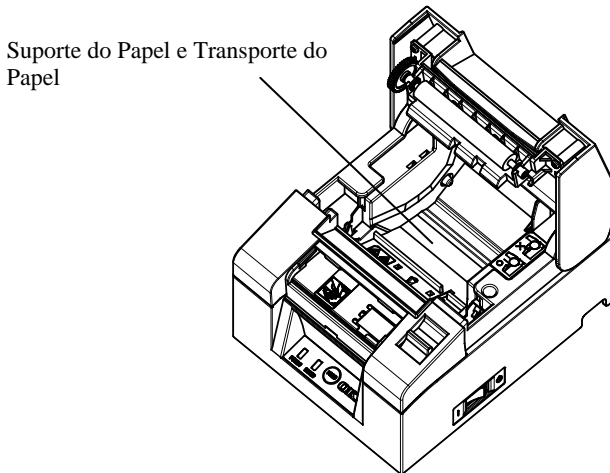
Padrão "Cupom"

10. Limpeza Regular

A qualidade da impressão pode ser prejudicada por partículas de papel, poeira ou outros materiais. Para evitar esse problema, remova quaisquer partículas de papel ou poeira do fixador de papel, transporte de papel, rolo de impressão e da cabeça térmica, conforme descrito abaixo. Realize a limpeza a cada seis meses.

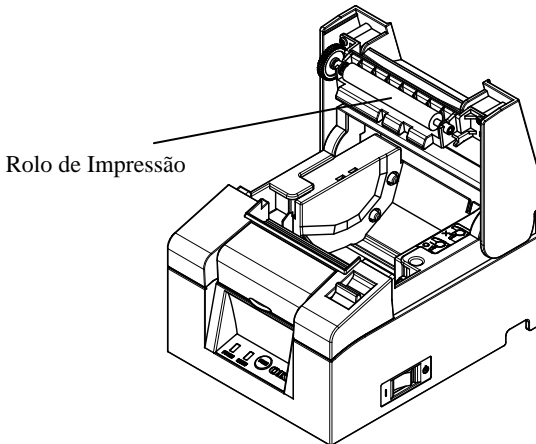
10-1. Limpando o Suporte de Papel e o Transporte de Papel

- (1) Certifique-se de desligar a energia da impressora.
- (2) Abra a tampa superior.
- (3) Limpe quaisquer poeiras, partículas de papel, cola ou outro material estranho do suporte do papel e do transporte do papel utilizando um pano macio e seco.



10-2. Limpando o Rolo de Impressão

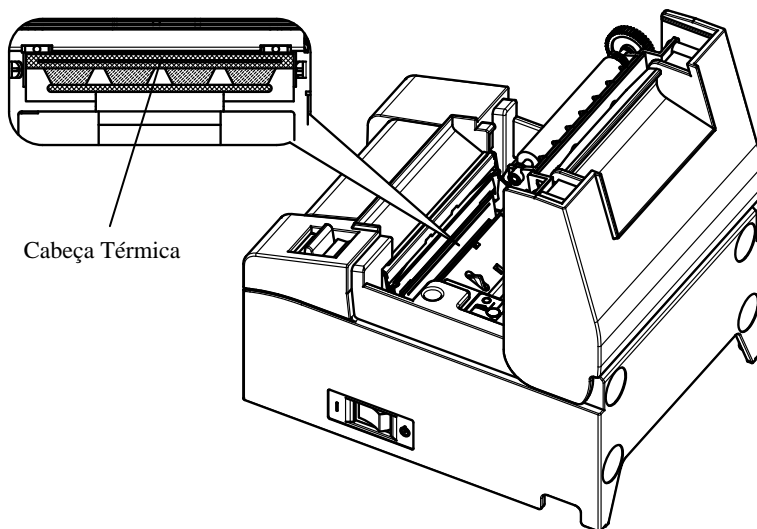
- (1) Certifique-se de desligar a energia da impressora.
- (2) Abra a tampa superior.
- (3) Limpe quaisquer poeiras, partículas de papel, cola ou outro material estranho do rolo de impressão utilizando um pano macio e seco.



⚠ Cuidado: Não danifique ou amasse o rolo de impressão. Amassados no rolo de impressão irão causar impressões incompletas e/ou falha de alimentação da linha.

10-3. Limpando a Cabeça Térmica

- (1) Certifique-se de desligar a energia da impressora.
- (2) Abra a tampa superior.
- (3) Utilizando um solvente de álcool, remova partículas de papel preto e outros resíduos da superfície da cabeça térmica.



- ⚠ **Cuidado:** A cabeça térmica pode facilmente ser danificada. Limpe-a com cuidado utilizando um pano macio para evitar danos.
- ⚠ **Cuidado:** A cabeça térmica continua quente imediatamente após a impressão. Deixe esfriar por cerca de 10 minutos antes de limpar.
- ⚠ **Cuidado:** A cabeça térmica pode ser danificada por eletricidade estática. Tome cuidado para evitar a exposição à eletricidade estática.
- ⚠ **Cuidado:** Aguarde até o álcool do solvente de limpeza estar totalmente seco antes de ligar a energia da impressora.
- ⚠ **Cuidado:** Utilize apenas solventes à base de álcool ou álcool isopropílico.

11. Interface

11-1. Interface Serial

(1) Especificações da Interface de Transmissão

Método de Transmissão	Assíncrono											
Tipo de Linha	Duplex total											
Circuito de Entrada/Saída	Entrada: MAX211 Equivalente Saída: MAX211 Equivalente											
Taxa de Baud	2400, 4800, 9600, 19200, 38400, 57600, 115200BPS (Configurações de Setup)											
Tipo do Código de Transmissão	7 ou 8 bits											
Formato do Código de Transmissão	Bits de partida: 1 bit Bits de parada: 1 bit Bits de Dados: 7 ou 8 bits (Configurações de Setup) Paridade: NENHUMA, PAR, ÍMPAR, (Configurações do Setup) Marca(1) <table border="1" style="display: inline-table; vertical-align: middle;"> <tr> <td style="width: 20px;">ST</td> <td style="width: 20px;">b0</td> <td style="width: 20px;">b1</td> <td style="width: 20px;">b2</td> <td style="width: 20px;">b3</td> <td style="width: 20px;">b4</td> <td style="width: 20px;">b5</td> <td style="width: 20px;">b6</td> <td style="width: 20px;">b7</td> <td style="width: 20px;">PT</td> <td style="width: 20px;">SP</td> </tr> </table> Espaço(0)	ST	b0	b1	b2	b3	b4	b5	b6	b7	PT	SP
ST	b0	b1	b2	b3	b4	b5	b6	b7	PT	SP		
Sequência de Transmissão	LSB para MSB											
Código de Transmissão	Código JIS											
Controle de Erro	Verificação de paridade (Configurações de Setup)											
Comprimento da Linha de Conexão	Máx. 15m: (Quando a energia é fornecida do conector de energia) Máx. 2m: (Quando a energia é fornecida do conector de interface)											
Protocolo	DSR/DTR, XON/XOFF (Configurações de Setup)											

(2) Conector da Interface Serial (Impressoras com interfaces serial e USB)

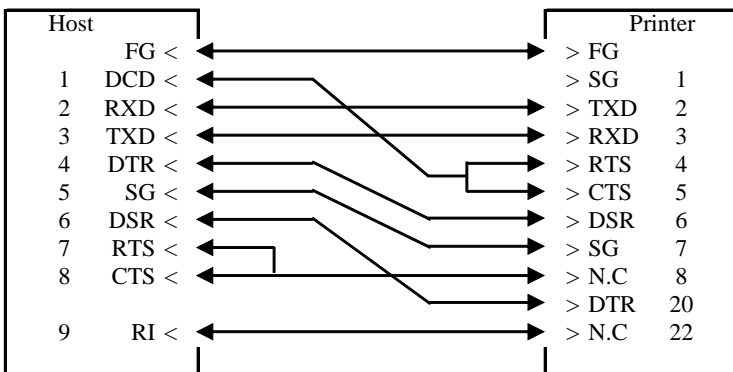
Nº Pin	Nome do Sinal	Direção	Nome da Linha do Sinal
1	SG	-	Sinal Terra
2	TXD	Saída	Transmitir Dados
3	RXD	Entrada	Receber Dados
4	RTS	Saída	Solicitação para Enviar
5	CTS	Entrada	Liberado para Enviar
6	DSR	Entrada	Configuração de Dados Pronta
7	SG	-	Sinal Terra
8~19	N.C	-	Sem Conexão
20	DTR	Saída	Terminal de Dados Pronto
21~24	N.C	-	Sem Conexão
25	INIT	Entrada	Sinal de Reinício Forçado

⚠ **Cuidado:** Utilize um parafuso de aperto com uma rosca imperial no conector.

⚠ **Cuidado:** Por favor, use um cabo cross Pin RS232C 9-25 para seu cabo de interface.

(3) Cabo de Conexão (Impressoras com interfaces serial e USB)

A configuração da conexão mostrada na figura a seguir é recomendada.



⚠ **Cuidado:** É proibido o fornecimento de energia a partir do conector da interface.

(4) Conector da Interface Serial (Impressoras com interfaces serial, USB e LAN)

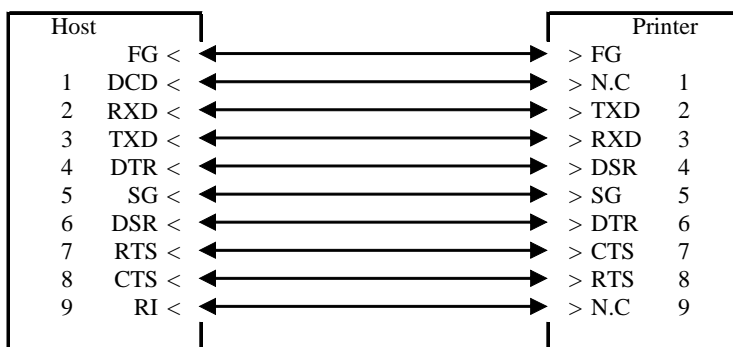
Nº Pin	Nome do Sinal	Direção	Nome da Linha do Sinal
1	N.C	-	Sem Conexão
2	TXD	Saída	Transmitir Dados
3	RXD	Entrada	Receber Dados
4	DSR	Entrada	Configuração de Dados Pronta
5	SG	-	Sinal Terra
6	DTR	Saída	Terminal de Dados Pronto
7	CTS	Entrada	Liberado para Enviar
8	RTS	Saída	Solicitação para Enviar
9	N.C	-	Sem Conexão

⚠ **Cuidado:** Utilize um parafuso de aperto com uma rosca imperial no conector.

⚠ **Cuidado:** Por favor, use um cabo direito Pin RS232C 9 para seu cabo de interface.

(5) Cabo de Conexão (Impressoras com interfaces serial, USB e LAN)

A configuração da conexão mostrada na figura a seguir é recomendada.



⚠ **Cuidado:** É proibido o fornecimento de energia a partir do conector da interface.

11-2. Interface USB

(1) Conector Tipo-B: 4 Pinos

Nº Pino	Nome do Sinal	Direção	Nome da Linha do Sinal
1	VBUS	Entrada	VBUS
2	D-inB	Entrada/Saída	D-
3	D+inB	Entrada/Saída	D+
4	SG	-	Sinal Terra

⚠ Cuidado: Utilize um cabo USB protegido.

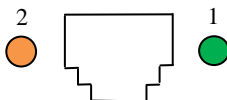
11-3. Interface LAN

(1) Conector da Interface LAN

Nº Pino	Nome do Sinal	Direção	Nome da Linha do Sinal
1	TX+	Saída	Dados de saída
2	TX-	Saída	Dados de saída
3	RX+	Entrada	Dados de entrada
4	N.C	-	-
5	N.C	-	-
6	RX-	Entrada	Dados de entrada
7	N.C	-	-
8	N.C	-	-

⚠ Cuidado: Use um cabo LAN reto para o cabo da interface e conecte-o à rede através de um HUB.

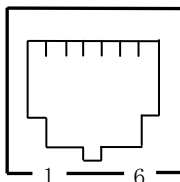
(2) LED



Nº	Significado	Descrição
1	S (Speed (Velocidade))	Acende quando a conexão é reconhecida como 100BASE-TX É desligado quando não está conectado ou quando reconhece que está conectado ao 10BASE-T
2	L/A (Link/Act)	Acende quando a conexão é estabelecida com o 100BASE-TX ou o 10BASE-T Pisca ao enviar e receber pacotes

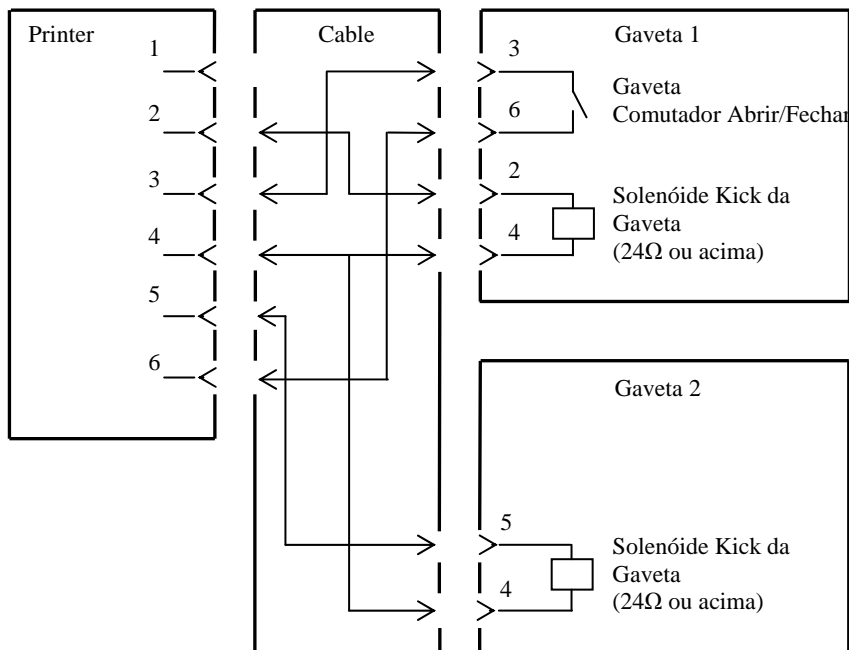
11-4. Conector Kick da Gaveta

Nº Pino	Nome do Sinal	Direção	Nome da Linha do Sinal
1	FG	-	Terra Estrutura
2	*DRD1	Saída	Sinal do Drive Kick da Gaveta 1
3	DRSNS1	Entrada	Sinal de Sentido da Gaveta 1
4	+24V	-	Energia do Drive
5	*DRD2	Saída	Sinal do Drive Kick da Gaveta 2
6	SG	-	Sinal Terra



<Lado de conexão>

<Conexão>



- ⚠ Cuidado: O cabo de conexão da gaveta deve ser do tipo protegido.
- ⚠ Cuidado: Drive simultâneo dos dois drives não está disponível.
- ⚠ Cuidado: Especificar o tempo LIGADO e o tempo DESLIGADO (t_1 e t_2) para a gaveta utilizando o comando de geração de pulsos (ESC p m t1 t2).
- ⚠ Cuidado: Ajuste o ciclo de obrigação do drive para a gaveta, de acordo com a seguinte fórmula: $\text{Tempo LIGADO}/(\text{tempo LIGADO} + \text{tempo DESLIGADO}) \leq 0,2$
- ⚠ Cuidado: Sempre utilize a energia da impressora (conector do pino 4) para a energia da gaveta.
- ⚠ Cuidado: Utilize um solenóide kick da gaveta com um valor de resistência de, no mínimo 24Ω . Se estiver abaixo de 24Ω , o solenóide pode ser danificado pela corrente em excesso.
- ⚠ Cuidado: Este produto utiliza um conector modular de propósito especial para a gaveta de dinheiro e conector de exibição do cliente. Não tente utilizar outros tipos de conectores como conectores de telefones públicos.

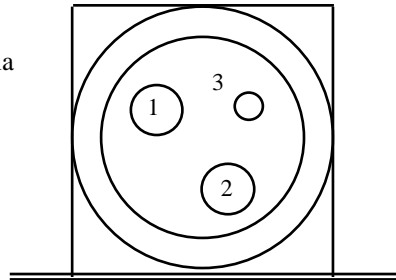
11-5. Especificações da Energia

- (1) Voltagem de Entrada Estabelecida: 100-240V, 50-60Hz,
- (2) Classificação da corrente de entrada: 1,1A
- (3) Voltagem de Operação: 24V \pm 10%
- (4) Consumo de Energia: Durante standby : 3.0W ou menos/0.1A em média
Durante a operação : Cerca de 38W/1.5A em média
(a 24V, 25°C, configuração da densidade de impressão 100%, largura do papel de 80mm, taxa de impressão 9%)

Nota: Corrente do Drive Kick da Gaveta: Máx. 1A
Entretanto, não opere dois kick de gaveta ao mesmo tempo.

Atribuição do Pino Conector de Energia

Nº do Pino	Nome do Sinal
1	+24V
2	SG
3	N.C



⚠ Cuidado: Utilize o nosso adaptador AC especificado para o fornecimento de energia.

⚠ Cuidado: Se nosso adaptador AC não for utilizado (fornecimento de energia é fornecido pelo usuário), problemas como má qualidade de impressão, interferência eletromagnética ou barulho no circuito, podem ocorrer. Nesses casos, tome nota dos seguintes pontos:

- Utilize um adaptador cuja capacidade corresponda à taxa de impressão que realmente será utilizada.
- Garanta antecipadamente que não há problemas como eletricidade estática, interferência eletromagnética, ruído no circuito, etc.

12. Especificações

12-1. Especificações Gerais

- (1) Método de Impressão: Impressão Térmica da Linha Direta
- (2) Velocidade da Impressão: Máximo 300mm/s (Apenas Monocromático)
- (3) Resolução da Impressão: 80dot/mm (0,125mm)
- (4) Relação entre o Número da Coluna de Impressão e Tamanho do Caractere
Face do corpo ((Largura)x(Altura) ponto)

	Largura do Papel: 58mm	
	Impressão de 32 colunas	Impressão de 35 colunas
ANK: Fonte A	32 colunas: 12x24	35 colunas: 12x24
ANK: Fonte B	38 colunas: 10x24 42 colunas: 9x24	42 colunas: 10x24 46 colunas: 9x24
ANK: Fonte C	48 colunas: 8x16	52 colunas: 8x16
ANK: Fonte A Fonte de Extensão	32 colunas: 12x24	35 colunas: 12x24
ANK: Fonte B Fonte de Extensão	38 colunas: 10x24 42 colunas: 9x24	42 colunas: 10x24 46 colunas: 9x24

Frente do corpo ((Largura)x(Altura) ponto)

	Largura do Papel: 80mm	
	Impressão de 42 colunas	Impressão de 48 colunas
ANK: Fonte A	42 colunas: 12x24	48 colunas: 12x24
ANK: Fonte B	51 colunas: 10x24 56 colunas: 9x24	57 colunas: 10x24 64 colunas: 9x24
ANK: Fonte C	64 colunas: 8x16	72 colunas: 8x16
ANK: Fonte A Fonte de Extensão	42 colunas: 12x24	48 colunas: 12x24
ANK: Fonte B Fonte de Extensão	51 colunas: 10x24 56 colunas: 9x24	57 colunas: 10x24 64 colunas: 9x24

(5) Ajustes dos Caracteres

Caractere alfanumérico (95)

Caractere internacional (16 conjuntos : Gothic)

Gráficos ampliados (128 x 20 páginas : Gothic)

Registro baixado (96)

Kanji definido pelo usuário (94)

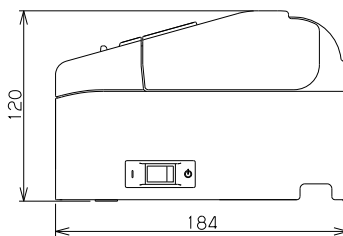
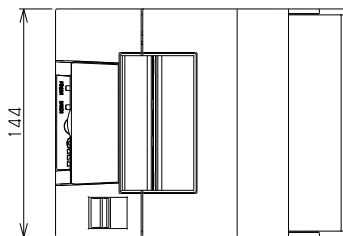
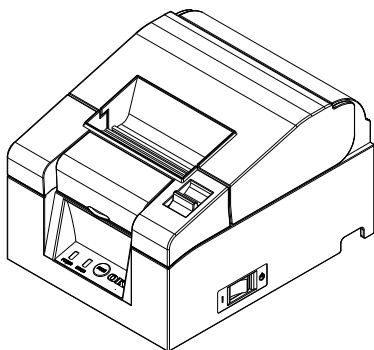
(6) Tamanho do Caractere

	Frente do corpo		Frente da carta	
	Ponto (Largura)x(Altura)	Mm (Largura)x(Altura)	Ponto (Largura)x(Altura)	Mm (Largura)x(Altura)
ANK: Fonte A	12 x 24	1.5 x 3.0	11 x 22	1.375 x 2.75
ANK: Fonte B	10 x 24 9 x 24	1.25 x 3.0 1.125 x 3.0	9 x 17 9 x 22	1.125 x 2.125 1.125 x 2.75
ANK: Fonte C	8 x 16	1.0 x 2.0	8 x 13	1.0 x 1.625
ANK: Fonte A Fonte de Extensão	12 x 24	1.5 x 3.0	12 x 24	1.5 x 3.0
ANK: Fonte B Fonte de Extensão	10 x 24 9 x 24	1.25 x 3.0 1.125 x 3.0	9 x 22 9 x 22	1.125 x 2.75 1.125 x 2.75

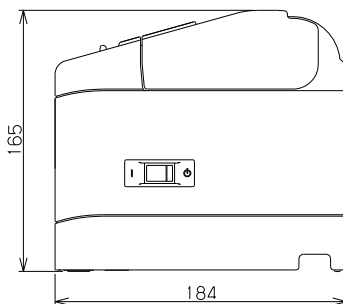
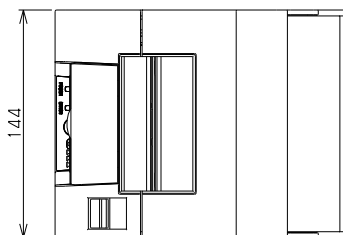
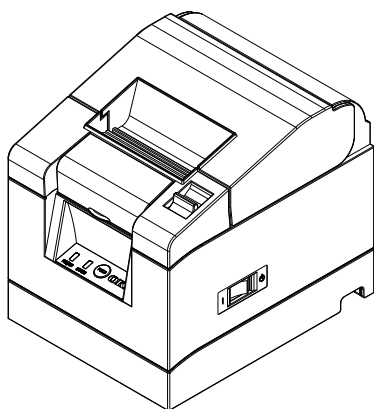
(Nota) A coluna de impressão, o tamanho dos caracteres e os conjuntos de caracteres dependem da área e/ou modelo da impressora.

(7) Visão do Desenho

Modelo Padrão



Modelo de Fornecimento de Energia Embutido



12-2. Especificações do Cortador

(1) Método de Corte: Corte parcial (o papel permanece conectado em um ponto)

⚠ Cuidado: Não utilize o cortador continuamente em uma taxa excedendo 10 cortes por minuto (1 corte a cada 6 segundos ou mais). O uso excessivo pode causar um mau funcionamento.

12-3. Especificações do Fornecimento de Rolos de Papel

(1) Método de Carregamento: Os rolos são carregados manualmente.

(2) Papel Próximo do Fim: Detectado quando o comprimento do papel remanescente é inadequado.

⚠ Cuidado: Diâmetro do núcleo ϕ 18mm é suportado.

12-4. Especificações da Interface

(1) Serial (RS-232C)

(2) USB (USB 2.0 Velocidade total)

(3) LAN (10BASE/100BASE-T)

12-5. Especificações do Meio-Ambiente

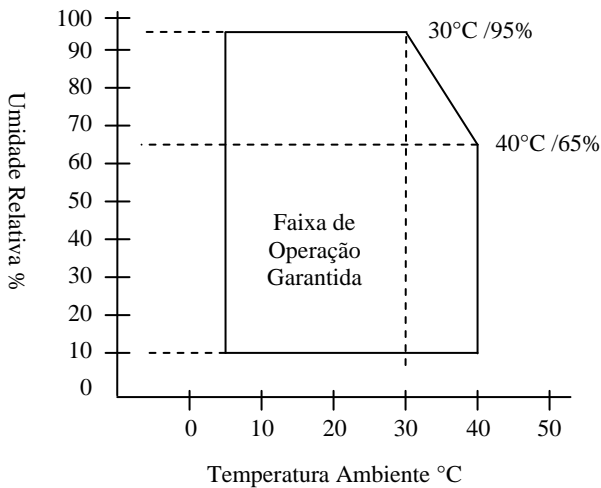
(1) Temperatura

Operação	Operação Garantida em:	0°C - 40°C
	Qualidade de Impressão Garantida em:	5°C - 35°C
Não-operacional		-5°C - 60°C
Transporte ou armazenamento (embalagem)		-20°C - 60°C

(2) Umidade

Operação	Operação Garantida em:	10%-95% UR (sem condensação)
	Qualidade de Impressão Garantida em:	10%-85% UR (sem condensação)
Não-operacional		8%-95% UR (sem condensação)
Transporte ou armazenamento (embalagem)		5%-95% UR (sem condensação)

(3) Temperatura de Bulbo Úmido Máxima 29°C ou menos



12-6. Especificações de Confiabilidade

- | | |
|------------------------|---|
| (1) Vida da Impressora | Linha de alimentação de 20 milhões
(Quando o papel recomendado de 75 μ m é utilizado) |
| (2) Vida da Cabeça | Vida de Operação: 100km
(Quando o papel recomendado de 75 μ m é utilizado)
Vida de Pulsos: 100 milhões de pulsações
(Quando o papel recomendado de 75 μ m é utilizado) |
| (3) Vida do Cortador | |
| Espessura do Papel | 75 μ m: 1,5 milhões de cortes
(Quando o papel recomendado de 75 μ m é utilizado) |
| 65 μ m/85 μ m: | 1,0 milhões de cortes |

Nota: Quando uma organização do máximo que imprime velocidade é 220 mm/s.

13. Precauções de Uso

13-1. Precauções Relacionadas ao Papel

- (1) Altas taxas de impressão podem causar impressão manchada. Escolha uma taxa de impressão adequada para evitar turvamentos. De forma alternativa, ajuste uma combinação adequada da velocidade de impressão e densidade de impressão para evitar turvamentos.
(Vide 9 Modo Especial: 9-2. Alterando a Configuração).
- (2) Imprimir caracteres de um ajuste de caractere não-padrão em uma serifa fina ou fonte semelhante resultará nos caracteres aparecendo bem fracamente. Utilize uma fonte negrito sem serifa.
- (3) Para atingir a impressão de qualidade sem pitch desigual (expansão ou contração), alimente o papel 1mm (8 pontos) ou mais quando reiniciar a impressão ou após cortar o papel.
- (4) Na impressão sequencial, a transferência lenta de dados pode fazer com que linhas brancas passem pela impressão, já que a impressão e a pausa são repetidas de forma alternativa. Se a qualidade da impressão for prioridade, utilize o modo Impressão de Lote (“Batch (COM IF)”, “Batch (OTHER IF)”).
(Vide 9 Modo Especial: 9-2. Alterando a Configuração).
- (5) A margem superior pode ser ajustada para 12 mm ou 3 mm por um comando. Se a margem superior for ajustada para 3 mm, certifique-se de remover o papel impresso cada vez que a impressão e a operação de corte for concluída, conforme a reversão do papel ocorre antes da impressão. Se o papel impresso e cortado não for removido, a seção do corte parcial pode ser rasgada ou a superfície do corte pode ser dobrada causando um atolamento de papel. Além disso, utilize no mínimo 30 mm de papel para cada transação.
- (6) Ajustar um valor alto para densidade da impressão (110% e mais) pode resultar em impressão manchada ou desigual em temperaturas baixas, dependendo do padrão de impressão. Se a qualidade de impressão for prioridade, imprima em uma velocidade mais baixa.
(Vide 9 Modo Especial: 9-2. Alterando a Configuração).
- (7) Não altere do papel mais fino para o papel mais grosso (ex., 58 mm para 80 mm) quando a impressão estiver em andamento. Ao utilizar o papel de largura fina, uma parte da cabeça térmica pode entrar em contato direto com o rolo de impressão sem nenhum papel presente. Isso fará com que a cabeça se desgaste, resultando em má qualidade da impressão. Além disso, como a lâmina do cortador também trabalha em seções sem papel, a lâmina do cortador pode se desgastar, resultando em um corte ruim. Não altere a largura do papel quando a impressão estiver em andamento.

- (8) Se o papel for deixado na impressora por um longo tempo, ele pode se deformar e provocar uma impressão fraca. Portanto, se o papel for deixado por um longo tempo, alimente o papel para frente por 20-30 mm antes da impressão.
- (9) Se papel não-recomendado for utilizado, a qualidade da impressão e/ou a vida da cabeça térmica não pode ser garantida. Em particular, o uso do papel contendo “Na+, K+ ou Cl-“ pode diminuir significativamente a expectativa de vida da cabeça térmica.
- (10) Utilizar um adaptador AC não-recomendado pode causar impressão manchada e/ou desigual, assim utilize apenas o adaptador recomendado.
- (11) O papel pode ficar marcado durante a mudança de papel ou quando a tampa superior for fechada, assim alimente o papel para frente por 20-30 mm antes da impressão.

13-2. Precauções Relacionadas ao Cortador

- (1) Não utilize o cortador continuamente em uma taxa excedendo 10 cortes por minuto (1 corte a cada 6 segundos ou mais). O uso excessivo pode causar um mau funcionamento.
- (2) Não remova o papel enquanto ele estiver sendo cortado. Fazer isso pode causar problemas como atolamento de papel.
- (3) Se a margem superior for ajustada em 3 mm, certifique-se de remover o papel impresso cada vez que a impressão e a operação de corte for concluída, pois a reversão da impressora ocorre antes da impressão. Não fazer isso pode causar problemas como atolamento de papel.

13-3. Precauções da Impressão do Código de Barras/Código 2D

- (1) Ao utilizar papel grosso, a velocidade da impressão e a densidade devem ser ajustadas e a legibilidade também deve ser verificada antes de utilizar a impressora, pois o papel grosso pode causar turvamentos dependendo do uso do meio-ambiente e da umidade.
(Vide 9 Modo Especial: 9-2. Alterando a Configuração).
- (2) Para códigos 2D, ajuste a velocidade de impressão e a densidade para obter uma boa taxa de reconhecimento. Conforme a legibilidade varia dependendo da largura do papel, densidade da impressão, temperatura ambiente, tipo de rolo de papel térmico e desempenho do leitor, verifique antes de utilizar a impressora.
(Vide 9 Modo Especial: 9-2. Alterando a Configuração).

- (3) Se um código de barras for impresso na parte superior do papel da impressora, quando ele é alimentado pela primeira vez, ou na parte inferior quando a alimentação do papel é concluída, a legibilidade deve ser verificada, conforme a exatidão na alimentação do papel pode se tornar instável.

13-4. Precauções do Uso da Interface USB

- (1) Conecte a impressora diretamente ao computador anfitrião.
- (2) Certifique-se de ligar a impressora antes da impressão.
- (3) Se um erro ocorrer durante a impressão, recupere a impressora do erro e depois tente a impressão novamente.
- (4) Não desligue a impressora ou desconecte o cabo USB enquanto a impressão estiver em andamento. Utilizar o computador anfitrião para ajustar o modo Stand-by, modo Sleep, modo Suspenso ou modo Pausa não é recomendado.

Se a impressora não trabalhar de forma correta mesmo após implantar o acima, tente re-conectar o cabo USB ou ligar a energia da impressora novamente. Se a impressora ainda não imprimir corretamente, reinicie o computador anfitrião.

13-5. Precauções do Uso da Interface LAN

- (1) As definições de web da impressora devem ser configuradas quando impressora não estiver imprimindo.
Se você alterar as definições de web com frequência enquanto a impressora estiver imprimindo, a alimentação do papel pode não ser suave e causar impressão irregular.
- (2) Este monitor de status pode ser usado com portas LAN dedicadas, mas não é compatível com portas LAN padrão Windows.
- (3) Quando imprimir em várias impressoras a partir de um único PC, a impressão poderá não funcionar corretamente dependendo da porta TCP/IP padrão do SO.
Se isto acontecer, defina a função de comunicação bidirecional do driver da impressora como desativada antes da impressão.
- (4) Se a impressora for desligada no meio da impressão, a impressão poderá não ser automaticamente reiniciada quando a impressora for ligada.
Caso isto aconteça, exclua o trabalho de impressão do spooler da impressora e execute novamente a impressão.

13-6. Precauções da Instalação

- (1) Utilize a impressora apenas em ambientes fechados. O uso externo pode causar o mau-funcionamento da impressora devido à sujeira e outros fatores.
- (2) Ao conectar um cabo à impressora ou alterar a posição da impressora, realize a operação enquanto segura a tampa do meio da impressora nas laterais utilizando ambas as mãos. Se você realizar a operação segurando a tampa superior, a tampa superior pode abrir.

13-7. Precauções de Uso do Conector do Tipo Modular

- (1) Este produto utiliza um conector modular de propósito especial para a gaveta de dinheiro e conector de exibição do cliente. Não tente utilizar outros tipos de conectores como conectores de telefones públicos.

Ok! informações de contato

Ok! Systems (UK) Ltd

Blays House
Wick Road
Egham
Surrey
TW20 0HJ

Tel: +44 (0) 1784 274300
Fax: +44 (0) 1784 274301
http://www.oki.co.uk

Ok! Systems Ireland Limited

The Square Industrial Complex
Tallaght
Dublin 14

Tel: +353 (0) 1 4049590
Fax: +353 (0) 1 4049591
http://www.oki.ie

Ok! Systems Ireland Limited - Northern Ireland

19 Ferndale Avenue
Glengormley
BT36 5AL
Northern Ireland

Tel: +44 (0) 7767 271447
Fax: +44 (0) 1 404 9520
http://www.oki.ie

Technical Support for all Ireland:

Tel: +353 1 4049570
Fax: +353 1 4049555
E-mail: tech.support@oki.ie

Ok! Systems (Czech and Slovak), s.r.o.

Futurama Business Park -
Sokolovská 651/136A
186 00 Praha 8
Czech Republic

Tel: +420 224 890158
Fax: +420 22 232 6621
Website: www.oki.cz, www.oki.sk

Ok! Systems (Deutschland) GmbH

Hansaallee 187
40549 Düsseldorf

Tel: +49 (0) 211 / 5266-0
Fax: +49 (0) 211 59 33 45
Website: www.oki.deinfo@oki.de

Albania, Bosnia, Bulgaria, Croatia,
Cyprus, Estonia, Greece, Israel,
Latvia, Lithuania, Macedonia,
Romania, Serbia, Slovenia

CEE Export Group: Ok! Systems (Poland) Ltd

ul. Domaniewska 42
02-672 Warsaw
Poland

Tel: +48 (0) 22 448 65 00
Fax: +48 (0) 22 448 65 0
E-mail: tech@oki.com.pl

Ok! Systèmes (France) S.A.

Zone Silic - Immeuble Osaka
21 rue du Jura
CS 90277
94633 RUNGIS Cedex
Paris

Tél: Standard 0820 200 410
(0.09€/min depuis une ligne fixe*)
Hotline 01 76 54 21 50 (n° non
surtaxé)
Website: www.oki.fr

Ok! Systems (Magyarország) Kft.

Capital Square
Tower 2
7th Floor
H-1133 Budapest,
Váci út 76
Hungary

Telefon: +36 1 814 8000
Telefax: +36 1 814 8009
Website: www.okihu.hu

Ok! Systems (Italia) S.p.A.

via Milano, 11,
20084 Lacchiarella (MI)

Tel: +39 (0) 2 900261
Fax: +39 (0) 2 90026344
Website: www.oki.it

Ok! Systems (Polska) Sp. z o.o

Platinum Business Park II, 3rd
Floor
ul. Domaniewska 42
02-672 Warsaw
Poland

Tel: +48 22 448 65 00
Fax: +48 22 448 65 01
Website: www.oki.com.pl
E-mail: oki@oki.com.pl
Hotline: 0800 120066
E-mail: tech@oki.com.pl

Ok! Europe Limited, Sucursal em Portugal

Av. Quinta Grande 53
7° D Alfragide
2614-521 Amadora
Portugal

Tel: +351 21 470 4200
Fax: +351 21 470 4201
Website: www.oki.pt
E-mail : oki@oki.pt

Ok! Service Serviço de apoio técnico ao Cliente

Tel: 214 727 660
E-mail : okiserv@oki.pt

Ok! Systems Rus, LLC (Russia)

Sector B, 3rd Floor, Svyatogor-4
Business Center10/4, Letnikovskaya
str. 115114, Moscow

Tel: +7 495 276 5060
Fax: +7 495 258 6070
e-mail: info@oki.ru
Website: www.oki.ru

Technical support:
Tel: +7 495 564 8421
e-mail: tech@oki.ru

Ok! Systems (Österreich)

Campus 21
Businesszentrum Wien Sued
Liebermannstrasse A02 603
22345 Brun am Gebirge

Tel: +43 223 6677 110
Service-Hotline:
+43 (0) 2236/677 110-501
Website: www.oki.at

Ok! Europe Ltd. (Ukraine)

Raisy Opkinoy Street,8
Building B, 2nd Floor,
Kiev 02002
Ukraine

Tel: +380 44 537 5288
e-mail: event@oki.ua
Website: www.oki.ua

Ok! Sistem ve Yazıcı Çözümleri Tic. Ltd. Şti.

Harman sok Duran Is Merkezi,
No:4, Kat:6,
34394, Levent
İstanbul

Tel: +90 212 279 2393
Faks: +90 212 279 2366
Web: www.oki.com.tr

Ok! Systems (Belgium)

Medialaan 24
1800 Vilvoorde

Helpdesk: 02-2574620
Fax: 02 2531848
Website: www.oki.be

Ok! Systems (Denmark) a-s

Herstedøstervej 27
2620 Albertslund
Danmark

Adm.: +45 43 66 65 00
Fax: +45 43 66 65 90
E-mail: saig@oki.dk /
support@oki.dk
Website: www.oki.dk

Oki Systems (Finland) Oy

Polaris Capella
Vänrikinkuja 3
02600 Espoo

Tel: +358 (0) 207 900 800
Fax: +358 (0) 207 900 809
Website: www.oki.fi

Oki Systems (Holland) b.v.

Neptunstraat 27-29
2132 JA Hoofddorp

Helpdesk: 0800 5667654
Tel: +31 (0) 23 55 63 740
Fax: +31 (0) 23 55 63 750
Website: www.oki.nl

Oki Systems (Norway) AS

Tevlingveien 23
N-1081 Oslo

Tel: +47 (0) 63 89 36 00
Telefax: +47 (0) 63 89 36 01
Website: www.oki.no

Var vänlig kontakta din
Återförsäljare i första hand, för
konsultation. I andra hand kontakta

Oki Systems (Sweden) AB

Borgafjordsgatan 7
Box 1193
164 26 Kista

Tel. +46 (0) 8 634 37 00
e-mail: info@oki.se
Website: www.oki.se

Oki Systems (Schweiz)

Baslerstrasse 15
CH-4310 Rheinfelden

Support deutsch +41 61 827 94 81
Support français +41 61 827 94 82
Support italiano +41 061 827 9473

Tel: +41 61 827 9494
Website: www.oki.ch

Oki Data Americas Inc. (United States • États-Unis)

2000 Bishops Gate Blvd.
Mt. Laurel, NJ 08054
USA

Tel: 1-800-654-3282
Fax: 1-856-222-5247
<http://WWW.OKIPRINTINGSOLUTIONS.COM>
<http://my.okidata.com>

Oki Data Americas Inc. (Canada • Canadá)

4140B Sladeview Crescent Unit 7 & 8
Mississauga, Ontario
Canada L5L 6A1

Tél: 1-905-608-5000
Télé: 1-905-608-5040
<http://WWW.OKIPRINTINGSOLUTIONS.COM>

Oki Data Americas Inc. (Amérique Latine (OTRO))

2000 Bishops Gate Blvd.
Mt. Laurel, NJ 08054
USA

Tel (Español): 1-856-222-7496
1-856-222-5276
Fax: 1-856-222-5260
Email: LASatisfaction@okidata.com

Oki Data de Mexico, S.A. de C.V.

Mariano Escobedo #748, Piso 8
Col. Nueva Anzures
C.P. 11590, México, D.F.

Tel: 52-555-263-8780
Fax: 52-555-250-3501
<http://WWW.OKIPRINTINGSOLUTIONS.COM>

Oki Data do Brasil Informática Ltda.

Av. Alfredo Egidio de Souza Aranha,
100 - 5º Andar - Bloco C
Chácara Santo Antonio - São Paulo,
SP - Brasil
CEP: 04726-170

Tel: 55-11-3543-5500 (Grande São Paulo)
0800-11-5577 (Demais localidades)
Fax: 55-11-3444-3501
email: okidata@okidata.com.br
HTTP: www.okiprintingsolutions.com

Argentina/Chile/Paraguay/Perú/Uruguay**Oki Data Americas, Inc.**

Sucursal Argentina
Ugarte 3610 Piso 4° (1605) Olivos
Buenos Aires, Argentina

TEL: +54 11 5288 7500
Fax: +54 11 5288 7599

Colombia/Ecuador/Venezuela/Centroamérica y Caribe Oki Data Americas, Inc.

Sucursal Colombia
Carrera 13 #97-51, Oficina 101
Bogotá Colombia

TEL: +57 1 704 5159

Oki Data (Singapore) Pte. Ltd.

438A Alexandra Road #02-11/12,
Lobby 3, Alexandra Technopark
Singapore(119967)

Tel: (65) 6221 3722
Fax: (65) 6594 0609
<http://www.okidata.com.sg>

Oki Systems (Thailand) Ltd.

1168/81-82 Lumpini Tower,
27th Floor Rama IV Road
Tungmahamek, Sathorn
Bangkok 10120

Tel: (662) 679 9235
Fax: (662) 679 9243/245
<http://www.okisysthai.com>

Oki Data(Australia) Pty Ltd.

Level1 67 Epping Road, Macquarie
Park
NSW 2113, Australia

Tel: +61 2 8071 0000
(Support Tel: 1800 807 472)
Fax: +61 2 8071 0010
<http://www.oki.com.au>

OKI Data New Zealand

8 Antares Place Rosedale,
Auckland, 0632 New Zealand

Tel: (64) 9 477 0500
Fax: (64) 9 477 0549
<http://www.oki.co.nz/>

Oki Data(S) P Ltd. Malaysia Rep Office

Suite 21.03, 21st Floor Menara IGB,
Mid Valley City,
Lingkaran Syed Pura 59200,
Kuala Lumpur, Malaysia

Tel: (60) 3 2287 1177
Fax: (60) 3 2287 1166

Oki Data Corporation
4-11-22 Shibaura, Minato-ku, Tokyo
108-8551, Japan

www.oki.com/printing

