

**B6250**

**OKI**  
PRINTING SOLUTIONS

Setup Guide  
Guide d'installation  
Guía de Instalación  
Guia de instalação

**59393501**

**[my.okidata.com](http://my.okidata.com)**

**Contents**

**English . . . . . 3**  
**Français. . . . . 12**  
**Español . . . . . 23**  
**Português . . . . . 34**

---

## Checking the package contents

---

Check that all items listed below are included in the printer packaging. If any items are missing or damaged, contact your dealer.

### NOTE

Retain the packaging material and box for future use if there is a possibility that the printer will be moved over long distances.

- Printer
- Drum-toner cartridge (for approximately 6,000 Letter pages at 5% coverage, i.e. 5% of the addressable print area is printed)
- 250-sheet Paper Tray
- Face Up (Rear) Tray
- Power cord
- Unpacking instructions and Quick Setup Guide
- Safety and Warranty Booklet
- CD-ROM
- The CD-ROM contains printer drivers, software and documentation designed to help you fully utilize your new printer. Oki has provided an interface, under MS Windows, to assist you in selecting the appropriate document or application.

---

## Installation and relocation procedure

---

The following sections guide you through the process of installing and setting up your printer right through to making a test print from an application. Complete the entire installation procedure to ensure a proper installation.

### Safety precautions

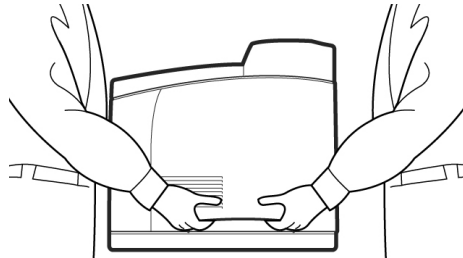
This printer is available in either of the following power specifications: 110V or 220 – 240V. The specifications that apply to your printer depend on your configuration. To prevent fire or shock hazards, connect the power plug only to a properly rated power outlet.

### Handling the printer

- The printer is very heavy and should always be lifted by two people. The printer with consumables weighs

22.6kg (50lb). Never attempt to lift the printer alone.

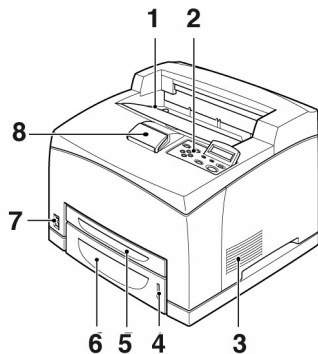
- To lift the printer, have two individuals facing each other from the front and rear of the printer grasp the recessed areas on each side of the printer. Do not lift the printer by grasping any area other than these recessed areas.



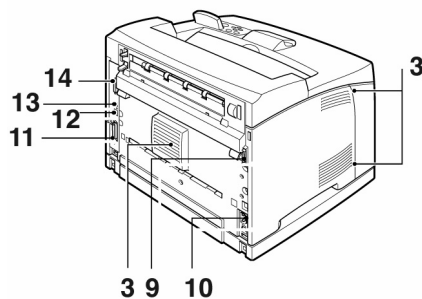
- When lifting the printer, maintain proper lifting posture to prevent injuries.
- Other safety information is contained in the Safety, Warranty and Regulatory Information booklet supplied with this product and should be read prior to setting up the printer.

## Locating parts of the printer

The main parts of the printer and a brief description of their functions are shown below:



- 1 Center output tray**  
Print jobs are output here with printed side facing down.
- 2 Control panel**  
Consists of the control buttons, indicators and display.  
For control panel details, refer to "The Control Panel and Menu system" on page 8.
- 3 Ventilation slots**  
Provide ventilation for the interior of the printer.
- 4 Paper level indicator**  
Indicates the level of the remaining paper in the 550-sheet paper tray.
- 5 Tray 1**  
Holds 150 sheets of paper.
- 6 Tray 2**  
Holds 550 sheets of paper.
- 7 Power switch**  
Switches the printer power on and off.
- 8 Extension output tray**  
Pull this tray out to print on paper larger than Letter.



### 9 Duplex unit connector

For connecting the duplex unit (option).

### 10 Power cord connector

For connecting the power cord.

### 11 Parallel connector

For connecting a parallel cable.

### 12 Network connector

For connecting the network cable when using the printer as a network printer. (The Network Software Kit option needs to have been installed to enable networking capability.)

### 13 USB connector

For connecting a USB cable.

### 14 Serial connector

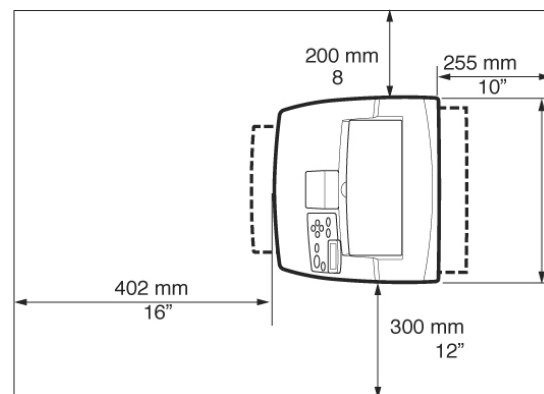
For connecting a serial cable.

## Preparing a location for the printer

Place the machine on a level and sturdy surface that can withstand the machine weight, 22.6 kg (50lb). If tilted, the machine may fall over and cause injuries.

### Space requirements

The printer has ventilation holes on the side and rear panels. Ensure that the printer is installed with a minimum clearance of 255mm (10in) from the rear vent to any wall, 200mm (8in) from the left vent to any wall, and 300mm (12in) from the right vent to any wall. A poorly ventilated machine can cause excessive internal heat and fire. The following diagram shows the minimum clearances required for normal operation, consumables replacement, and maintenance to ensure your machine operates at peak performance.



### Environment

Ensure that the installation location meets the following conditions:

- Do not place the printer in a hot, humid, dusty or poorly ventilated environment. Prolonged exposure to such adverse conditions can result in fire or electric shock.
- Temperature range 10 – 32 °C (50 – 89 °F), humidity range 15 – 85% (no condensation). Humidity should be 70% or below at 32 °C (89 °F), and temperature should be 28°C (82 °F) or below at 85% humidity.

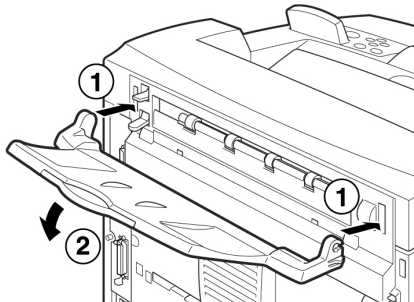
#### NOTE

Sudden temperature fluctuations can affect print quality. Rapid heating of a cold room or moving the printer from a location with low humidity/temperature to high humidity/temperature can cause condensation inside the printer, directly interfering with image transfer. When condensation occurs, leave the printer for at least 1 hour to acclimatize to the environment before using it.

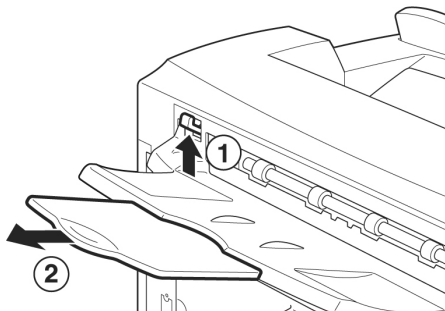
- Do not expose the printer to direct sunlight.
- Do not expose the printer to the direct draft of air-conditioning or heating.

## Installing the Face Up (Rear) Tray

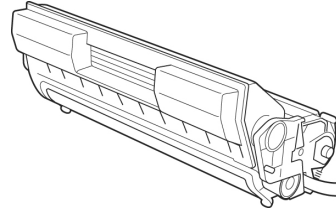
1. Insert the right and left tabs of the face up (rear) tray into the holes at the back of the printer (1), and lower the tray into position (2).



2. Push up the rear output tray lever as shown in the diagram (1) and pull out the extension tray (2).



## Installing the Drum-Toner Cartridge



#### NOTE

Your printer is supplied with a drum-toner cartridge with an approximate capacity of 6,000 Letter pages at 5% coverage. Replacement drum-toner cartridges are available with approximate capacities of 6,000 pages or 10,000 pages.

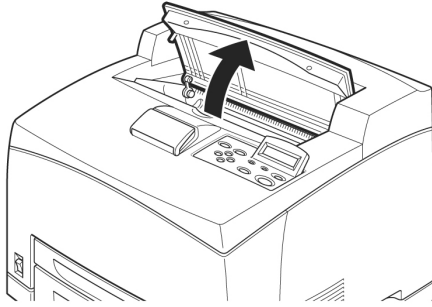
When handling the drum-toner cartridge, take note of the following points:

#### WARNING!

Never throw a drum-toner cartridge into an open flame as it can cause an explosion.

- Do not subject the drum-toner cartridge to direct sunlight or strong light.
- When installing the drum-toner cartridge, select a location not subject to strong light and try to finish the installation within 5 minutes.
- Do not touch the surface of the photosensitive drum. Do not let the drum-toner cartridge stand upside down or place it upside down as this may damage the drum.
- A drum shutter protects the photosensitive drum from light. Do not open the drum shutter.
- Although the toner is not harmful to the body, wash it off immediately with cold water if your hands or clothes are in contact with it.
- It is recommended to use up the drum-toner cartridge within one year of removing it from its packaging.
- Keep the drum-toner cartridge out of the reach of children.

1. Open the cover.



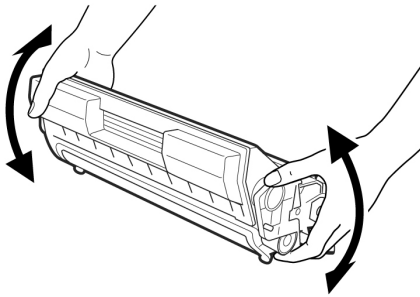
**NOTE**

When the optional offset catch tray is installed, fold the tray first before opening the cover.

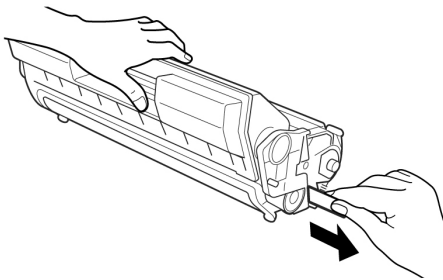
**WARNING!**

Do not touch any parts inside the printer.

2. Take the drum-toner cartridge out of the packaging box and shake it seven or eight times as shown in the diagram.



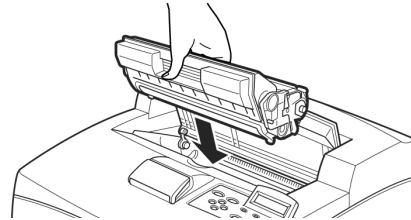
3. Place the drum-toner cartridge on a flat surface and pull out the seal horizontally.



**CAUTION!**

When pulling out the seal, pull it out horizontally. The tape might break if it is pulled out diagonally. After the seal has been pulled out, do not shake or bump the drum-toner cartridge.

4. Hold the drum-toner cartridge by the grip and insert it into the slot inside the printer.



**CAUTION!**

Do not touch any parts inside the printer. Ensure that the drum-toner cartridge is firmly located.

5. Close the cover securely.

**NOTE**

If the offset catch tray is folded as in Step 1, close the cover and then return the tray to its original position.

## Cables

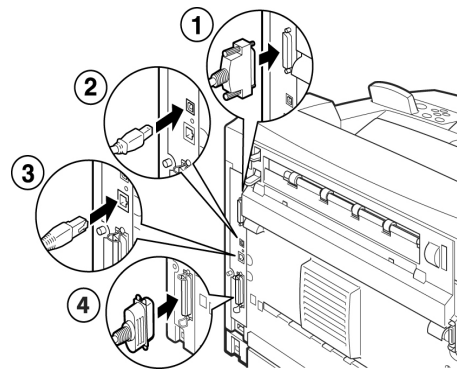
### Connecting an interface cable

Connect the interface cable to be used to the printer.

**NOTE**

Connect a USB cable only after the printer driver has been installed on the computer.

1. Connect the interface cable to the interface connector at the back of the printer: serial (1), USB (2), network (3), parallel (4). For a parallel cable, lift up the wire clip on both sides to secure it after it has been inserted into the connector.

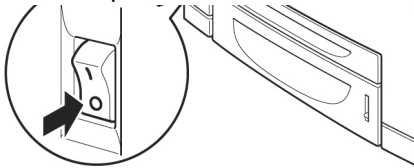


- For Parallel, USB, or Serial cables, connect the other end of the cable to the interface connector of the computer.

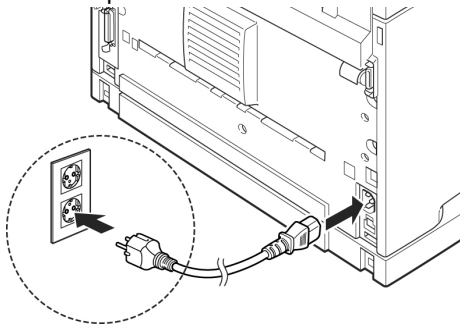
### Connecting the power cord

When connecting the power cord, take heed of the information given in "Safety precautions" on page 3.

- Ensure that the printer power switch is in the <O> position.

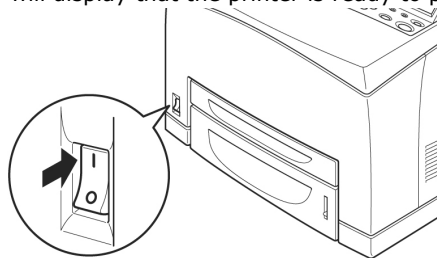


- Connect the power cord to the power cord connector at the back of the printer. Connect the other end of the power cord to the power outlet.



- Press the power switch of the printer to the <|> position.

The power will be applied and the control panel will display that the printer is ready to print.



#### NOTE

- > If "Found New Hardware" displays on your screen, click Cancel.
- > Depending on the network environment used, it may take some minutes before the printer is ready for printing.
- > If the message that the printer is ready to print but is unable to retrieve an IP Address is displayed, continue operating as normal.

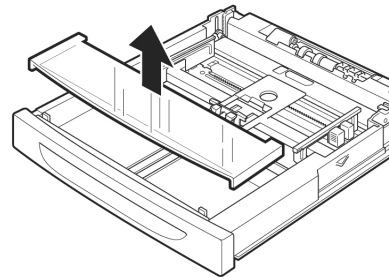
## Loading paper

This section explains how to load Letter size plain paper in portrait orientation in the paper tray.

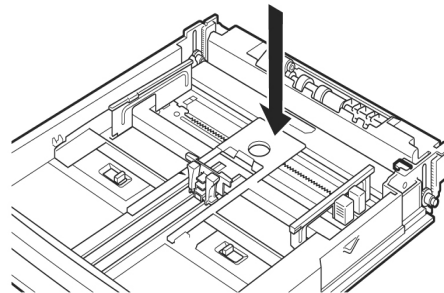
Portrait orientation



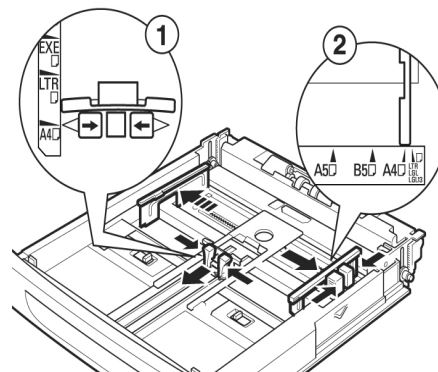
- Place the paper tray on a flat surface and remove the lid.



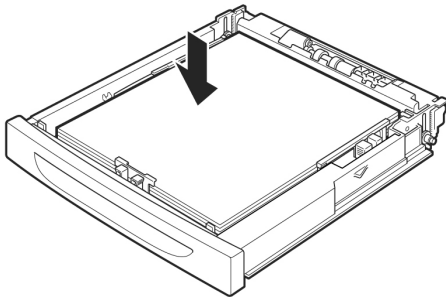
- If the base plate of the paper tray is raised, push it down.



- Squeeze the length guide and slide it to the desired paper size (1). Squeeze the right width guide and slide it to the desired paper size (2).



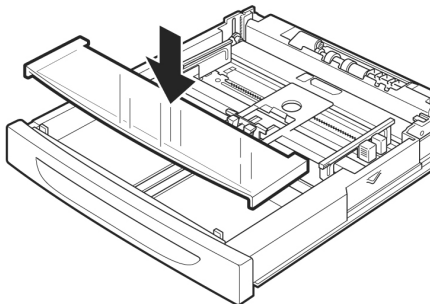
4. Load the paper with the side to be printed facing up and with all four corners aligned.



### CAUTION!

Do not place paper over the right width guide. Do not load paper exceeding the maximum fill line or the maximum capacity allowed. Align the right width guide with the paper width correctly. If the right width guide is not in place, the paper will not be properly fed and this may cause paper jams.

5. Close the lid of the paper tray and push the tray completely into the printer.



### CAUTION!

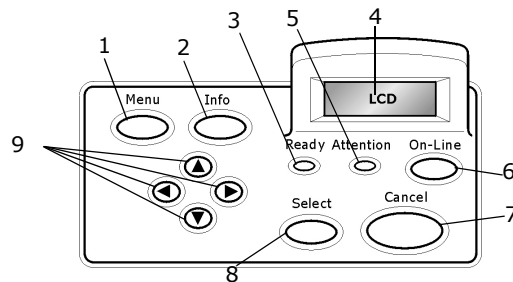
The lid of the tray must be firmly closed. If not, the paper may become misaligned.

6. Depending on the types and sizes of the loaded paper, you need to configure settings on the control panel. Change the paper type when non-plain paper such as recycled paper, heavyweight paper or transparencies is loaded. Configure the paper size when custom size paper is loaded.

## The Control Panel and Menu system

For full details on the control panel and menu structure, refer to the User's Guide.

The control panel components and their functions are described below:



- 1 **<MENU> button**  
Press to move to menu operation.
- 2 **<INFO> button**  
Press to print the menu map. The menu map (2pages) will print with all the current printer settings.
- 3 **<READY> indicator**  
When the light is on, the printer is ready to receive data from the computer.
- 4 **LCD display**  
Displays the setting items, machine status, and messages.
- 5 **<ATTENTION> indicator**  
When the light is on, there is a malfunction in the printer.
- 6 **<On-Line> button**  
Press to enter the off-line status. When in the off-line status, the machine cannot receive data or process printing. Press again to exit the off-line status and enter the on-line status (where the machine can receive data from the computer).
- 7 **<CANCEL> button**  
Press to cancel printing.  
Press to exit Menu Mode.
- 8 **<Select> button**  
Press to select the currently displayed menu on setting.
- 9 **<▲> <▼> <◀> <▶> buttons**  
Press these to move to the required menu, item and candidate value on the display.



## Navigating the control panel menus

Display/Close the Menu screen	<MENU> button
Switch between the menu levels	<▶> button (moves one level downwards) or <◀> button (moves one level upwards)
Switch between the menus or items in the same level	<▲> button (displays the previous menu or item) or <▼> button (displays the next menu or item)
Move the cursor (␣) of the setting value to the right or left	<▶> button (moves to the right) or <◀> button (moves to the left)
Confirm setting	<FEED/SELECT> button

When you press the MENU button on the control panel, you enter the printer's menu system. At that point, the first line of the display contains the text [Menu], indicating that you are in the menu system. The second line of the display lists the active menu, which you can change by pressing the <▲> or <▼> button.

Using these buttons repeatedly, you can cycle through the main menus in the following order: Print Language; Report/List; Meter Reading; Admin Menu; Display Language.

By using the arrow buttons as indicated above, you can navigate through the menu system to make any required settings. For example, to set the paper type in Tray 1 to accommodate recycled paper, navigate as follows: Admin Menu, Printer Settings, Paper Type, Tray 1, Recycled then press the <FEED/SELECT> button to record the setting and the <MENU> button to close the menu screen.

## Selecting the control panel language

English is the default language for all error and status messages; however, these messages are also available in many languages. Use the following procedure to change the display language.

### NOTE

Refer to the section "*The Control Panel and Menu system*" on page 8 for a brief overview of the control panel and its menus and sub-menus.

1. Press the <MENU> button to display the Menu screen.
2. Press the <▲> or <▼> button until [Display Language] is displayed, then press the <▶> button.

3. Press the <▲> or <▼> button until the required language is displayed, then press the <FEED/SELECT> button.
4. Press the <MENU> button to complete the language setting.

## Printing a configuration summary

To check whether the printer is correctly installed, use the control panel to print the [System Settings List].

### NOTE

If you have made a mistake when operating the control panel, press the <MENU> button to restart. For details on how to operate the control panel, refer to "*The Control Panel and Menu system*" on page 8.

1. Press the <MENU> button to display the Menu screen.
2. Press the <▲> or <▼> button until [Report/List] is displayed, then press the <▶> button.
3. Press the <▲> or <▼> button until [System Settings] is displayed, then press the <▶> button.
4. Press the <FEED/SELECT> button. The [System Settings List] will be printed.
5. Press the <MENU> button when printing has completed.

### NOTE

- > The layout of the [System Settings List] may differ depending on the configuration and settings of the printer.
- > [Rear Output Tray] is displayed in the column for Output Device even when the rear tray is not installed.
- > Reports/lists cannot be output to the face up (rear) tray. When the face up (rear) tray is installed, lower the face up (rear) tray output lever.

## Setting printer configurations via a Web page

If you are working in a TCP/IP-enabled environment, you can use a web browser to display the printer or job printing status and to change the settings.

Among the printer settings that are made on the control panel, settings for the system and network ports can be configured under

[Printer], [Network] and Maintenance] on the web page.

#### NOTE

- > The web page facility is only available when the printer is connected to the network.
- > Refer to the Network User's Guide if the web page does not appear after carrying out the steps 1 and 2 below.
- > You can also use Telnet to set the printer configuration. For details on the settings, refer to the NIC Configuration Guide.

1. Boot your computer, and start the web browser.
2. Enter the printer's IP address or URL in the address input column on the web browser and press the <Enter> key.

#### Using Online Help

For details regarding the items that can be set in each screen, click the [Help] button to display the Online Help.

---

## Printing a test document

---

After completing the installation procedure, verify that the printer is working correctly by printing a document from an application.

---

## Windows

---

### Network Setup

#### Print the Configuration Sheets

1. Turn the Printer ON and wait for the print server status light (2) to stop blinking.
2. Press the TEST button (3) on the print server to print the *Network Information* configuration sheets. Keep these sheets handy: they contain information you need to set up the printer on your network.

#### Load the CD

1. Insert the CD in the CD-ROM drive. The CD will autorun. *If it doesn't, click Start → Run → Browse. Browse to your CD-ROM drive, double-click Install.exe. Click OK.*
2. Select your language.
3. Accept the License Agreement.
4. The Installer screen appears.

### Install the Driver

5. Click Install Driver.
6. Select network printer.
7. Follow the on-screen instructions.
8. When prompted, select printer emulation (PS or PCL).

You may be required to enter the IP address for the printer. The IP address can be found on the Configuration Sheet

### Test the Printer Driver Installation

To make sure the printer driver is correctly installed, print a page from any program. Reinstall the driver if the installation failed.

### Using a Web Browser (Optional)

Use your web browser to configure print server and printer menu settings on an embedded web page.

*Note:* For more details, see the *Network User's Guide on the CD supplied.*

1. Activate your web browser (Microsoft Explorer or Netscape Navigator 4.0 or higher).
2. Enter the IP Address for the printer. Find the address on the network *Configuration Sheet.*

Click on a tab to see a particular category.

### Install Utilities and Downloads

*Note:* You must be connected to the internet to download utilities.

1. Select Optional Utilities or Internet Downloads from the CD installer menu bar.
2. Click the utilities and downloads you want to install and follow the instructions.

### Activate Optional Accessories

*Note:* If your printer has an optional second paper tray or Hard Disk Drive installed, you must enter the driver and activate it.

3. Click Start → Settings → Printers (and Faxes) on the Windows taskbar.
4. Right click the printer icon.
5. Click Properties.
6. Click the device Option tab.
7. Click Available Tray and select your paper tray from the drop-down menu

## Windows USB Connection

### Install the Driver

*Note: Install the driver before connecting the USB cable to the printer.*

1. Turn the printer OFF.
2. Insert the CD, in the CD-ROM drive. The CD will autorun. *If it doesn't, click Start → Run → Browse. Browse to your CD-ROM drive, double-click Setup. Click OK.*
3. Select your language. Accept the license agreement.
4. Click Install Driver.
5. Select local printer. Follow the on-screen instructions.
6. When prompted, select printer emulation (PS or PCL).
7. When prompted, connect the USB cable and switch the printer ON.

### Test the Printer Driver Installation

To make sure the printer driver is correctly installed, print a page from any program. Reinstall the driver if the installation failed.

### Install Utilities and Downloads

*Note: You must be connected to the internet to download utilities.*

1. Select Optional Utilities or Internet Downloads from the CD installer menu bar.
2. Click the utilities and downloads you want to install and follow the instructions.

### Activate Optional Accessories

*Note: If your printer has an optional second paper tray or Hard Disk Drive installed, you must enter the driver and activate it.*

3. Click Start → Settings → Printers (and Faxes) on the Windows taskbar.
4. Right click the printer icon.
5. Click Properties.
6. Click the device Option tab.

*Click the option you want to activate. For a second tray, click Available Tray and select from the drop-down menu.*

---

## Macintosh

---

### Install Printer Driver

1. Turn on the printer, then turn on the computer.
2. Place the CD supplied with the printer in the CD-ROM drive.
3. Double-click the CD icon that appears on the desktop.
4. Open the MAC folder (OSX or OS9).
5. Double-click the Mac B6250 Installer icon. The Installer displays with the driver pre-selected.
6. Select any utilities you want to install. Click Install.

### Add the Printer

1. Run the Print Center or Print Setup Utility. Click Add.
2. Click More Printers.
3. Select OKI USB, OKI TCP/IP, or Rendezvous/Bonjour from the drop-down menu.

*Note: If you are using USB, select OKI USB and disregard step 4.*

4. Enter the printer's IP address.
5. Select the printer model. Click Add.
6. Quit the Print Center.

---

## Vérification du contenu de la boîte

---

Vérifiez que tous les articles ci-dessous se trouvent dans l'emballage de l'imprimante. Contactez votre revendeur en cas d'élément manquant ou endommagé.

### NOTE

Conservez l'emballage et la boîte si vous pensez devoir transporter l'imprimante dans le futur.

- Imprimante
- Cartouche tambour-toner (pour environ 6 000 pages de format lettre avec couverture à 5%, c'est-à-dire que 5% de la zone d'impression est utilisée)
- Bac de papier 250 feuilles
- Bac (arrière) face dessus
- Cordon d'alimentation
- Instructions relatives au déballage et Quick Setup Guide (Guide de démarrage rapide)
- Safety and Warranty Booklet (Informations sur la garantie et la réglementation)
- CD-ROM
- Le CD-ROM contient les pilotes d'imprimante, logiciel et documentation qui vous aideront à utiliser au mieux votre nouvelle imprimante. Oki a créé une interface sous MS Windows, qui vous aide à sélectionner le document ou l'application approprié.

---

## Procédure d'installation et de déplacement

---

Les sections suivantes contiennent des informations qui vous guideront dans le processus d'installation et de configuration de votre imprimante, jusqu'à l'impression d'une page de test depuis une application. Procédez à l'installation dans sa totalité afin d'assurer une installation correcte.

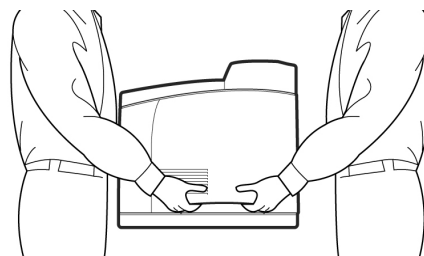
### Mesures de sécurité

L'imprimante est disponible en 110 V et 220 – 240 V. Les spécifications électriques qui s'appliquent à votre imprimante dépendent de votre configuration. Pour éviter les risques d'incendie ou de choc, branchez uniquement

la fiche d'alimentation électrique à une prise de courant correspondant à sa puissance.

### Manipulation de l'imprimante

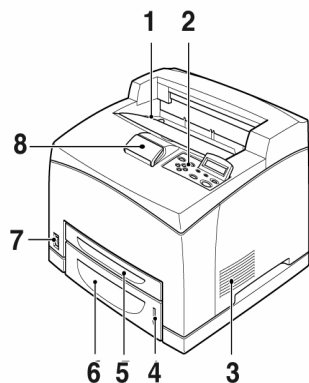
- L'imprimante est très lourde et doit toujours être soulevée par deux personnes. L'imprimante (consommables compris) pèse 22,6 kg.(50lb). N'essayez jamais de soulever seul l'imprimante.
- Pour soulever l'imprimante, les deux personnes doivent être face à face, à l'avant et à l'arrière de l'imprimante, et saisir l'imprimante par les zones en retrait situées de chaque côté. Ne soulevez pas l'imprimante en saisissant une autre partie que ces zones en retrait.



- Lorsque vous soulevez l'imprimante, adoptez une position correcte afin d'éviter toute blessure.
- Vous trouverez d'autres informations relatives à la sécurité dans les brochures Informations de sécurité, de garantie, et de réglementation fournies avec ce produit. Vous devez prendre connaissance de ces informations avant de configurer l'imprimante.

## Éléments de l'imprimante

La liste ci-dessous répertorie les éléments principaux de l'imprimante et donne une brève description de leurs fonctions :



### 1 Bac de sortie central

Les travaux d'impression sortent ici, le côté imprimé vers le bas.

### 2 Panneau de configuration

Comporte les boutons de contrôle, les indicateurs et l'affichage.

Pour plus de détails sur le panneau de configuration, reportez-vous à "Panneau de configuration et Système du menu" on page 15.

### 3 Orifices de ventilation

Assurent l'aération de l'intérieur de l'imprimante.

### 4 Jauge à papier

Indique le niveau du papier restant dans le bac de papier de 550 feuilles.

### 5 Bac 1

Contient 150 feuilles de papier.

### 6 Bac 2

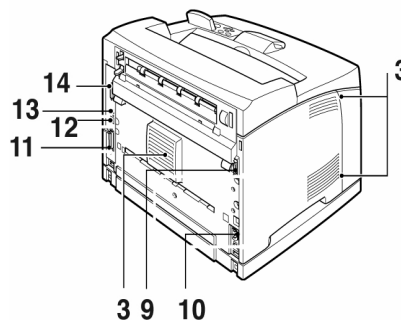
550 feuilles de papier.

### 7 Interrupteur d'alimentation

Allume ou éteint l'imprimante.

### 8 Bac de sortie extensible

Tirez ce bac lorsque vous imprimez sur un format de papier supérieur au format lettre.



### 9 Connecteur d'unité duplex

Pour connecter l'unité duplex

### 10 Connecteur de cordon d'alimentation

Pour connecter le cordon d'alimentation.

### 11 Connecteur parallèle

Pour connecter un câble parallèle.

### 12 Connecteur réseau

Pour connecter le câble réseau lorsque vous utilisez l'imprimante en tant qu'imprimante réseau (le kit logiciel réseau doit être installé pour activer la capacité de mise en réseau.)

### 13 Connecteur USB

Pour connecter un câble USB.

### 14 Connecteur série

Pour connecter un câble série.

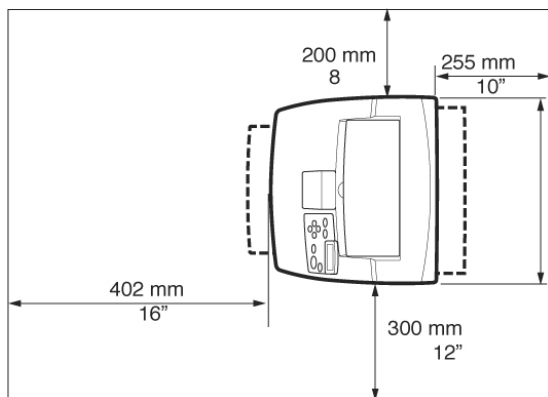
## Préparation d'un emplacement pour l'imprimante

Placez l'imprimante sur une surface plane et solide pouvant supporter le poids de l'appareil : 22,6 kg (50lb). Si la surface est inclinée, l'imprimante peut tomber et causer des dommages.

### Espace requis

L'imprimante possède des orifices de ventilation sur les panneaux latéraux et arrière. Assurez-vous que la fente arrière se trouve à au moins 255 mm (10 in) du mur, à 200 mm (8 in) pour la fente de gauche et à 300 mm (12 in) pour celle de droite. Une imprimante mal ventilée peut être source de chaleur interne excessive et causer un incendie. L'illustration suivante indique les distances d'isolement minimum requises pour le fonctionnement normal, le remplacement des consommables et l'entretien dans le but

d'assurer un fonctionnement optimal de votre imprimante.



### Environnement

Assurez-vous que l'emplacement d'installation remplit les conditions suivantes :

- Ne placez pas l'imprimante dans un endroit chaud, humide, poussiéreux ou mal ventilé. Une exposition prolongée à de telles conditions peut provoquer un incendie ou un choc électrique.
- Température : entre 10 et 32°C (50-89°F), humidité : entre 15 et 85 % (pas de condensation). Le taux d'humidité doit être inférieur ou égal à 70 % à 32°C (89°F), et la température doit être inférieure ou égale à 28°C (82°F) avec un taux d'humidité de 85 %.

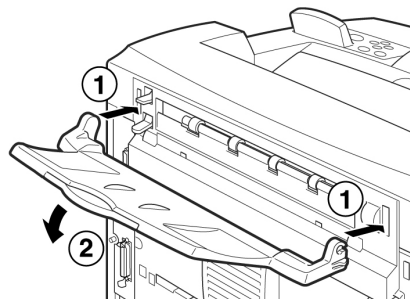
### NOTE

Les changements brusques de température peuvent affecter la qualité de l'impression. Le réchauffement rapide d'une pièce froide, ou le déplacement de l'imprimante d'un endroit à taux d'humidité/température bas vers un endroit à taux d'humidité/température élevés peut provoquer de la condensation à l'intérieur de l'imprimante, ce qui affecte directement le transfert d'image. En cas de condensation, laissez l'imprimante s'adapter à son nouvel environnement pendant au moins une heure avant de l'utiliser.

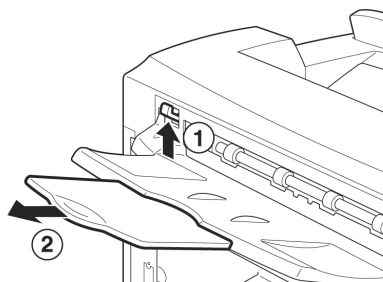
- N'exposez pas directement l'imprimante aux rayons du soleil.
- N'exposez pas directement l'imprimante à l'air conditionné ou au chauffage.

## Installation du bac (arrière) face dessus

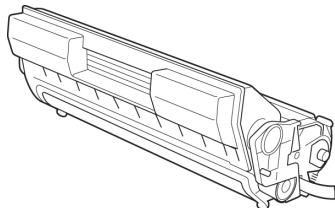
1. Insérez les loquets de gauche et de droite du bac (arrière) face dessus dans les fentes qui se trouvent à l'arrière de l'imprimante et positionnez le bac (2).



2. Poussez le levier du bac de sortie vers le haut comme le montre l'illustration (1) et tirez le bac extensible (2).



## Installation de la cartouche de toner



### NOTE

Une cartouche de toner est fournie avec votre imprimante. Elle a une capacité de environ 6 000 feuilles de format Lettre à 5 % de couverture. Il existe des cartouches de toner de rechange ayant une capacité de environ 6,000 ou 10,000 pages.

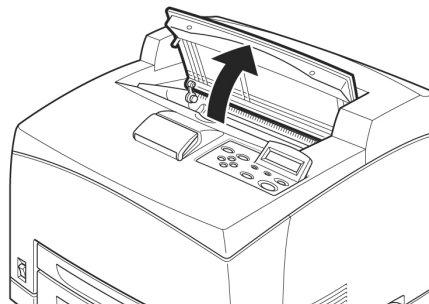
Prenez les éléments suivants en considération lorsque vous manipulez la cartouche de toner :

### AVERTISSEMENT !

N'exposez jamais une cartouche de toner à une flamme nue : ceci pourrait provoquer une explosion.

- N'exposez pas la cartouche de toner à une lumière forte ou aux rayons directs du soleil.
- Lors de l'installation de la cartouche de toner, sélectionnez un emplacement n'étant pas soumis à une lumière forte et essayez de terminer l'installation dans les 5 minutes qui suivent.
- Ne touchez pas la surface du tambour photosensible. Ne positionnez pas la cartouche de toner la tête en bas pour éviter d'endommager le tambour.
- Un obturateur protège le tambour photosensible de la lumière. N'ouvrez pas cet obturateur.
- Malgré que le toner ne représente pas de danger pour le corps humain, lavez immédiatement les mains ou tout vêtement contaminé avec de l'eau froide.
- Nous vous conseillons d'utiliser la cartouche de toner (une fois sortie de son emballage) avant un an.

- Gardez la cartouche de toner hors de la portée des enfants.
3. Ouvrez le capot.



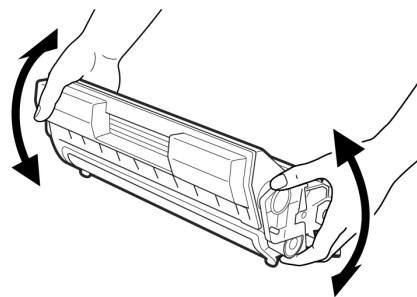
### NOTE

Une fois le bac de sortie Offset (optionnel) installé, repliez-le avant d'ouvrir le capot.

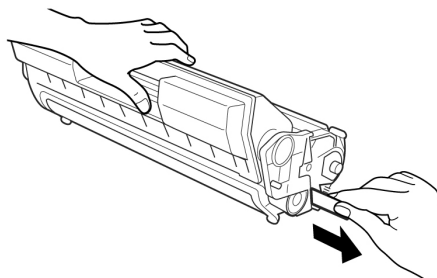
### AVERTISSEMENT !

Ne touchez pas aux parties internes de l'imprimante.

4. Sortez la cartouche de toner de la boîte et secouez-la sept ou huit fois comme illustré ci-dessous.



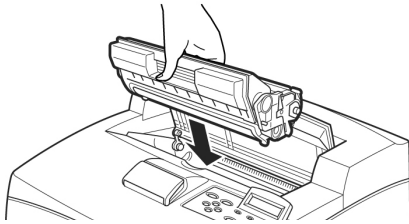
5. Placez la cartouche de toner sur une surface plane et retirez horizontalement l'emballage scellé.



### ATTENTION !

Retirez l'emballage scellé de façon horizontale. Le ruban adhésif pourrait se casser si vous le tirez en diagonale. Une fois l'emballage scellé enlevé, ne secouez pas ou ne cognez pas la cartouche de toner.

6. Maintenez la cartouche par la poignée et insérez-la dans l'imprimante.



### ATTENTION !

Ne touchez pas aux parties internes de l'imprimante. Vérifiez que la cartouche de toner est solidement en place.

7. Fermez le capot avec précaution.

### NOTE

Si le bac de sortie Offset est replié comme le demande l'étape 1, refermez le capot puis remettez le bac dans sa position originale.

## Câbles

### Connexion d'un câble d'interface

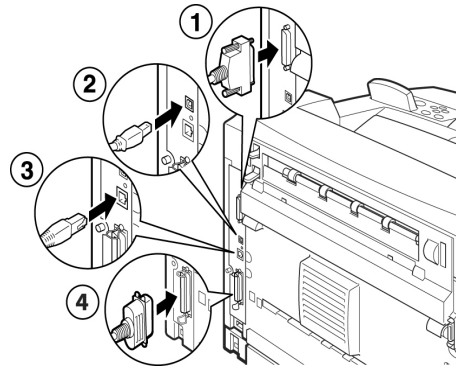
Connectez le câble d'interface à utiliser avec l'imprimante.

### NOTE

Ne connectez un câble USB qu'après avoir installé le pilote d'imprimante sur l'ordinateur.

1. Connectez le câble d'interface au connecteur d'interface qui se trouve à l'arrière de l'imprimante : série (1), USB (2), réseau (3), parallèle (4). Si vous utilisez un câble parallèle, soulevez les pinces situées de chaque

côté afin de le fixer une fois que vous l'avez inséré dans le connecteur.



2. Pour les câbles parallèle, USB ou série, connectez l'autre extrémité du câble au connecteur d'interface de l'ordinateur.

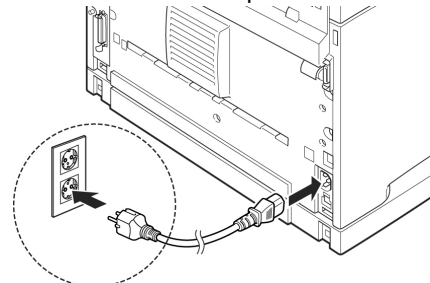
### Connexion du cordon d'alimentation

Lorsque vous connectez le cordon d'alimentation, tenez compte des informations fournies dans "Mesures de sécurité" à la page 12.

1. Assurez-vous que l'interrupteur d'alimentation de l'imprimante est sur la position <O>.



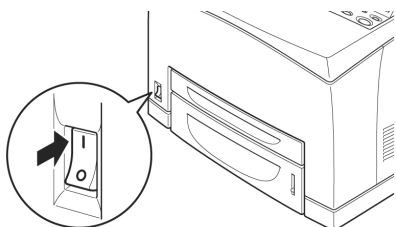
2. Connectez le cordon d'alimentation au connecteur du cordon d'alimentation situé à l'arrière de l'imprimante. Connectez l'autre extrémité du cordon d'alimentation à la prise de courant.



3. Mettez l'interrupteur de l'imprimante sur la position <|>. L'imprimante se met en marche et le



panneau de contrôle affiche que l'imprimante est prête à imprimer.



#### NOTE

- > Si «Found New Hardware» (Windows a découvert un nouveau matériel) s'affiche, cliquez sur **Cancel** (Annuler).
- > Selon l'environnement réseau utilisé, quelques minutes peuvent s'écouler avant que l'imprimante soit prête à imprimer.
- > Si un message s'affiche indiquant que l'imprimante est prête à imprimer mais n'arrive pas à extraire d'adresse IP, poursuivez l'opération.

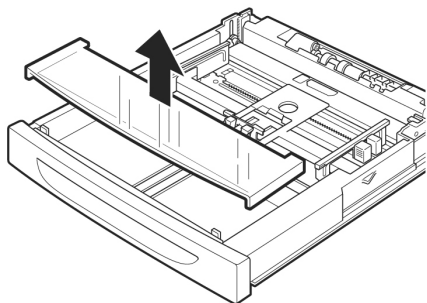
## Chargement du papier

Cette section explique comment charger du papier ordinaire de format lettre, en orientation portrait, dans le bac à papier.

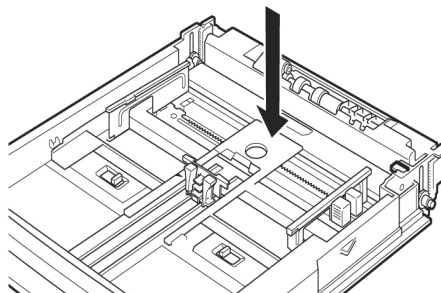
Orientation  
portrait



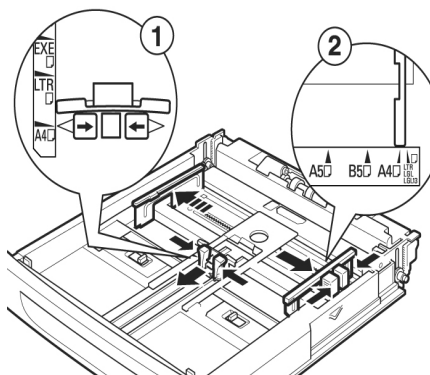
1. Placez le bac de papier sur une surface plane et retirez le capot.



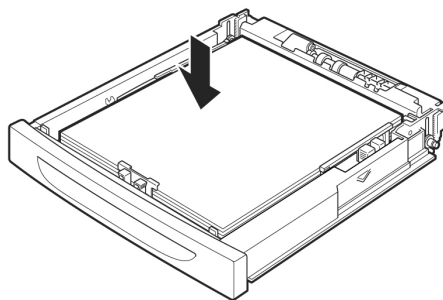
2. Si le plateau de la base du bac de papier est levé, baissez-le.



3. Réglez le guide de longueur sur la taille de papier désirée (1). Réglez le guide de largeur de droite sur la taille de papier désirée (2).



4. Chargez le papier en plaçant le côté à imprimer vers le haut et en alignant les quatre coins.



### ATTENTION !

- > Ne placez pas de papier sur le guide de longueur de droite.
- > Veillez à ce que le papier ne dépasse pas la ligne de remplissage maximum ou la capacité maximum autorisée.
- > Alignez correctement le guide de largeur de droite et la largeur du papier. Si le guide de largeur de droite n'est pas en place, l'alimentation de papier ne se fera pas correctement, ce qui peut provoquer des bourrages papier.

5. Refermez le capot du bac de papier et poussez complètement le bac dans l'imprimante.

### ATTENTION !

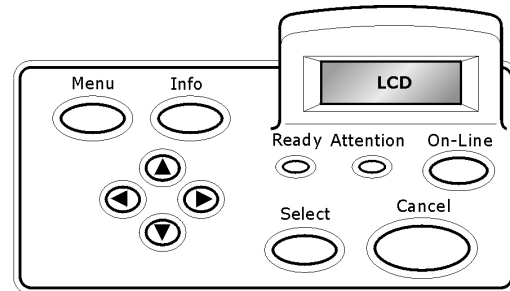
Le capot du bac doit être solidement fermé. Sinon, le papier peut être mal aligné.

6. Selon le type et la taille du papier chargé, vous devez configurer les paramètres du panneau de configuration.
- Changez le type de papier lorsque vous chargez du papier non-ordinaire tel que du papier recyclé, du papier à fort grammage ou des transparents.
- Configurez la taille du papier lorsque vous chargez du papier de taille personnalisée.

## Panneau de configuration et Système du menu

Reportez-vous au Reference Guide (Guide de référence) pour en savoir plus sur la structure du panneau de configuration et du menu.

Les composants du panneau de configuration et leurs fonctions sont décrites ci-dessous :



Désignation	Description
Bouton <MENU>	Appuyez pour passer à la fonction de menu. Une fois dans la fonction de menu, vous pouvez appuyer à plusieurs reprises sur les boutons de menu pour faire défiler la liste.
Bouton <INFO>	Appuyez pour imprimer la carte des menus. La carte des menus (2 pages) s'imprime avec tous les paramètres actuels de l'imprimante.
Voyant <READY>	Lorsqu'il est allumé, l'imprimante est prête à recevoir des données de l'ordinateur.
Affichage à ACL	Affiche les paramètres, l'état de la machine et des messages.
Voyant <ATTENTION >	Lorsqu'il est allumé, il y a une anomalie dans le fonctionnement de l'imprimante.
Bouton/ témoin <On-Line>	Appuyez pour mettre l'imprimante hors ligne. Lorsqu'elle est hors ligne, la machine ne peut pas recevoir de données ou imprimer de document. Appuyez de nouveau pour quitter l'état hors ligne et revenir en ligne (où la machine peut recevoir des données de l'ordinateur).
Bouton <CANCEL>	Appuyez pour annuler l'impression. Appuyez pour quitter le mode de menu.
Bouton <Select>	Appuyez pour activer le paramètre affiché. Lorsque vous modifiez les valeurs disponibles, appuyer sur <Select> exécute l'activité affichée ou enregistre la valeur disponible actuelle.
Boutons <▲> <▼> <◀> <▶>	Appuyez sur ces boutons pour vous déplacer au menu, à l'élément ou au réglage voulu dans l'affichage.

## Navigation dans les menus du panneau de configuration

Affichage/fermeture du menu Écran	Bouton <MENU>
Passer d'un niveau de menu à l'autre	Bouton <▶> (passe au niveau supérieur) ou bouton <◀> (passe au niveau inférieur)
Passer d'un menu ou d'un élément à un autre dans le même niveau.	Bouton <▲> (affiche le menu ou l'élément précédent) ou bouton <▼> (affiche le menu ou l'élément suivant)
Déplacer le curseur ( ) de la valeur de définition vers la gauche ou vers la droite	Bouton <▶▶> (déplacement vers la droite) ou bouton <◀◀> (déplacement vers la gauche)
Confirmation des paramètres	Bouton <FEED/SELECT> (ALIMENTATION/SÉLECTION)

Lorsque vous appuyez sur le bouton MENU du panneau de configuration, vous entrez dans le système du menu de l'imprimante. La première ligne de l'affichage contient le texte [Menu] indiquant que vous vous trouvez dans le système du menu. La seconde ligne de l'affichage indique le menu actif, que vous pouvez changer en appuyant sur le bouton <▲> ou sur le bouton <▼>.

En appuyant plusieurs fois sur ces boutons, vous pouvez naviguer dans les menus principaux, dans l'ordre indiqué ci-dessous : Print Language (Langue d'impression), Report/List (Rapport/Liste), Meter Reading (Lecture des compteurs), Admin Menu (Menu Admin), Display Language (Langue d'affichage).

En utilisant les boutons de direction comme mentionné ci-dessus, vous pouvez naviguer dans le système du menu pour effectuer les réglages désirés. Par exemple, pour définir le type de papier dans le Bac 1 sur Papier recyclé, naviguez comme suit : Admin Menu (Menu Admin), Printer Settings (Paramètres de l'imprimante), Type de papier, Bac 1, Recyclé, puis appuyez sur le bouton <FEED/SELECT> (ALIMENTATION/SÉLECTION) pour enregistrer le paramètre et sur le bouton <MENU> pour fermer l'écran de menu.

## Sélection de la langue du panneau de configuration

La langue par défaut de tous les messages d'erreur et de statut est l'anglais. Cependant,

ces messages sont également disponibles dans de nombreuses autres langues. Suivez la procédure ci-après pour modifier la langue d'affichage.

### NOTE

Reportez-vous à la section "*Panneau de configuration et Système du menu*" à la page 18 pour une brève présentation du panneau de configuration ainsi que ses menus et sous-menus.

1. Appuyez sur le bouton <MENU> pour afficher l'écran de Menu.
2. Appuyez sur le bouton <▲> ou <▼> jusqu'à ce que [Display Language] (Langue d'affichage) s'affiche, puis appuyez sur le bouton <▶>.
3. Appuyez sur le bouton <▲> ou <▼> jusqu'à ce que la langue d'affichage requise soit affichée, puis appuyez sur le bouton <FEED/SELECT> (ALIMENTATION/SÉLECTION).
4. Appuyez sur le bouton <MENU> pour terminer le paramétrage de la langue.

## Impression d'un récapitulatif de configuration

Pour vérifier que l'imprimante est correctement installée, utilisez le panneau de configuration pour imprimer [la liste des paramètres système].

### NOTE

Si vous avez fait une erreur lors de l'utilisation du panneau de configuration, appuyez sur le bouton <MENU> pour redémarrer. Reportez-vous au "*Panneau de configuration et Système du menu*" à la page 18 pour obtenir de plus amples détails sur l'utilisation du panneau de configuration.

1. Appuyez sur le bouton <MENU> pour afficher l'écran de Menu.
2. Appuyez sur le bouton <▲> ou <▼> jusqu'à ce que [Report/List] (Rapport/Liste) s'affiche, puis appuyez sur le bouton <▶>.
3. Appuyez sur le bouton <▲> ou <▼> jusqu'à ce que [System Settings] (Paramètres système) s'affiche, puis appuyez sur le bouton <▶>.
4. Appuyez sur le bouton <FEED/SELECT> (ALIMENTATION/SÉLECTION)

La [System Settings List] (Liste des paramètres système) sera imprimée.

- Appuyez sur le bouton <MENU> une fois l'impression terminée.

#### NOTE

- > La présentation de cette liste peut différer selon la configuration et les paramètres de l'imprimante.
- > [Rear Output Tray] (Bac de sortie arrière) s'affiche dans la colonne Output Device (Périphérique de sortie), même si le bac arrière n'est pas installé.
- > La sortie des rapports et des listes ne peuvent pas se faire sur le bac (arrière) face dessus. Lorsque le bac (arrière) face dessus est installé, abaissez le levier de sortie du bac (arrière) face dessus.

### Paramétrage de la configuration de l'imprimante via une page Web

Par le biais d'une page Web, vous pouvez utiliser un navigateur dans un environnement TCP/IP pour afficher l'imprimante ou l'état de l'impression d'un travail et modifier les paramètres.

Parmi les paramètres d'imprimante que vous pouvez définir dans le panneau de configuration, les paramètres du système et des ports réseau peuvent être configurés sur la page Web sous [Imprimante], [Réseau] et [Maintenance].

#### NOTE

- > La page Web n'est disponible que si l'imprimante est connectée au réseau.
- > Reportez-vous au Guide de l'utilisateur réseau si la page Web n'apparaît pas après que vous ayez suivi les étapes 1 et 2 indiquées ci-dessous.
- > Vous pouvez également utiliser Telnet pour définir la configuration de l'imprimante. Reportez-vous au NIC Configuration Guide (Guide de configuration NIC) pour plus de détails sur les paramètres.

- Redémarrez votre ordinateur et démarrez le navigateur Web.
- Entrez l'adresse IP ou l'URL de l'imprimante dans le champ d'adresse du navigateur, puis appuyez sur <Entrée>.

#### Utilisation de l'aide en ligne

Cliquez sur le bouton [Aide] pour afficher l'aide en ligne si vous souhaitez de plus

amples renseignements sur les éléments pouvant être définis dans chaque écran.

## Impression d'un document test

Après avoir terminé la procédure d'installation, assurez-vous que l'imprimante fonctionne correctement en imprimant un document depuis une application.

## Windows

### Installation réseau

#### Imprimer les feuilles de configuration

- Allumez l'imprimante et attendez que le témoin d'état du serveur d'impression (2) arrête de clignoter.
- Appuyez sur le bouton TEST (3) sur le serveur d'impression pour imprimer les feuilles de configuration Network Information (Informations réseau). Conservez ces feuilles sous la main : elles contiennent des informations dont vous aurez besoin pour configurer l'imprimante sur le réseau.

#### Chargez le CD

- Introduisez le CD dans le lecteur de CD-ROM.  
*Le CD est lancé automatiquement. Si le CD n'est pas lancé automatiquement, cliquez sur Start (Démarrer) → Run (Exécuter) → Browse (Parcourir). Accédez à l'unité de CD-ROM. Double-cliquez sur Install.exe. Cliquez sur OK.*
- Sélectionnez la langue d'installation.
- Acceptez le contrat de licence.
- L'écran Installer (Installateur) s'affiche.

#### Installation du pilote

- Cliquez sur Install Driver [Installer le pilote].
- Sélectionnez Network Printer (Imprimante réseau).
- Observez les directives affichées à l'écran.
- À l'invite, sélectionnez émulation d'imprimante (PS ou PCL).

Il pourrait être nécessaire d'entrer l'adresse IP de l'imprimante. L'adresse IP se trouve sur la feuille de configuration.

## Test d'installation des pilotes d'imprimante

Pour vérifier que le logiciel est correctement installé, Imprimez une page à partir d'un programme quelconque. Réinstallez le logiciel, en cas d'échec de l'installation.

## Utilisation d'un navigateur Web (Optionnelle)

Utilisez votre fureteur Web pour configurer le serveur d'imprimante et les paramètres de menu d'imprimante dans une page Web incorporée.

*Note:* Pour plus de détails, consultez le Guide de l'utilisateur réseau sur le CD fourni avec l'imprimante.

1. Lancez le navigateur Web (Microsoft Explorer ou Netscape Navigator version 4.0 ou supérieure).
2. Entrez l'adresse IP de l'imprimante. Celle-ci est indiquée sur les feuilles de Configuration Network Information.

Cliquez sur l'onglet pour voir une catégorie particulière.

## Installer les utilitaires et les téléchargements

*Note:* Vous devez être connecté à Internet pour télécharger les utilitaires.

1. Choisissez Optional Utilities (Utilitaires en option) ou Internet Downloads (Téléchargements par Internet) dans la barre de menu du CD d'installation.
2. Cliquez sur les utilitaires et les téléchargements que vous voulez installer et suivez les instructions.

## Activer les accessoires optionnels

*Note:* Si votre imprimante est munie du deuxième bac à papier optionnels ou du disque dur, vous devez accéder au pilote et les activer.

3. Cliquez sur Start (Demarrer) → Settings (Paramètres) → Printers (Imprimantes) [and Faxes (et télécopieurs)] dans la barre de tâches Windows.
4. Cliquez avec le bouton droit de la souris sur l'icône de l'imprimante.
5. Cliquez sur Propriétés.
6. Cliquez sur l'onglet Device Option (Options du périphérique).
7. Cliquez sur Available Tray (bac disponible) et sélectionnez votre bac de papier dans le menu défilant.

## Windows connexion USB

### Installation du pilote

*Note:* Installez le logiciel avant de connecter le câble USB à l'imprimante.

1. Éteignez l'imprimante.
2. Introduisez le CD dans le lecteur de CD-ROM.

*Le CD est lancé automatiquement. Si le CD n'est pas lancé automatiquement, cliquez sur Start (Démarrer) → Run (Exécuter) → Browse (Parcourir). Accédez à l'unité de CD-ROM. Double-cliquez sur Install.exe. Cliquez sur OK.*

3. Sélectionnez la langue d'installation.
4. Acceptez le contrat de licence.
5. Cliquez sur Install Driver [Installer le pilote].
6. Cliquez sur Local printer (Imprimante locale). Observez les directives affichées à l'écran.
7. À l'invite, sélectionnez émulation d'imprimante (PS ou PCL).
8. Lorsque indiqué, connectez le câble USB et mettez l'imprimante sous tension.

### Test d'installation des pilotes d'imprimante

Pour vérifier que le logiciel est correctement installé, Imprimez une page à partir d'un programme quelconque. Réinstallez le logiciel, en cas d'échec de l'installation.

### Installer les utilitaires et les téléchargements

*Note:* Vous devez être connecté à Internet pour télécharger les utilitaires.

1. Choisissez Optional Utilities (Utilitaires en option) ou Internet Downloads (Téléchargements par Internet) dans la barre de menu du CD d'installation.
2. Cliquez sur les utilitaires et les téléchargements que vous voulez installer et suivez les instructions.

### Activer les accessoires optionnels

*Note:* Si votre imprimante est munie du deuxième bac à papier optionnels ou du disque dur, vous devez accéder au pilote et les activer.

3. Cliquez sur Start (Demarrer) → Settings (Paramètres) → Printers (Imprimantes) [and Faxes (et télécopieurs)] dans la barre de tâches Windows.

4. Cliquez avec le bouton droit de la souris sur l'icône de l'imprimante.
5. Cliquez sur « Propriétés ».
6. Cliquez sur l'onglet Device Option (Options du périphérique).

*Cliquez sur l'option que vous voulez activer. Pour le deuxième bac à papier, cliquez sur Available Tray (bac disponible) et sélectionnez votre bac de papier dans le menu défilant.*

---

## Macintosh

---

### Installez le pilote d'imprimante

1. Allumez l'imprimante, puis allumez l'ordinateur.
2. Insérez le CD fourni avec l'imprimante dans l'unité de CD-ROM.
3. Double-cliquez sur l'icône de CD qui figure sur le bureau.
4. Ouvrez le dossier MAC (OSX ou OS9).
5. Double-cliquez sur l'icône MAC B6250 Installer. L'installateur affiche le pilote présélectionné.
6. Sélectionnez tous les utilitaires que vous voulez installer. Cliquez sur Install (Installer).

### Ajoutez l'imprimante

1. Lancer l'utilitaire Printer Setup (Configuration de l'imprimante) ou Print Setup Utility (Utilitaire de configuration d'impression). Cliquez sur Add (Ajouter).
2. Cliquez sur More Printers.
3. Sélectionnez OKI USB, OKI TCP/IP, ou Rendezvous/Bonjour dans le menu défilant.

*Note: Si vous utilisez USB, sélectionnez OKI USB et ignorez le étape 4.*

4. Entrez l'adresse IP de l'imprimante.
5. Sélectionnez le modèle d'imprimante. Cliquez sur « Add ».
6. Quittez le Centre d'impression.

---

## Comprobación del contenido del embalaje

---

Compruebe que todos los elementos enumerados a continuación están incluidos en el embalaje de la impresora. Si falta algún elemento o está dañado, póngase en contacto con el distribuidor.

### NOTA

Conserve el material de embalaje y la caja para utilizarlos más adelante si hay posibilidades de que la impresora se traslade a una larga distancia.

- Impresora
- Cartucho de tóner cilindro (con capacidad para imprimir 6.000 hojas tamaño carta con una cobertura de 5%, esto es, una impresión de 5% del área imprimible)
- Bandeja de papel de 250 hojas
- Bandeja de salida boca arriba
- Cables de alimentación
- Instrucciones de desembalaje y Quick Setup Guide (Guía de configuración rápida)
- Folleto de seguridad y garantía
- CD-ROM
- El CD-ROM contiene controladores de impresora, software y documentación diseñados para ayudarle a aprovechar completamente su nueva impresora. Oki suministra una interfaz, en MS Windows, para ayudarle a seleccionar el documento o la aplicación adecuados.

---

## Instalación y procedimiento de cambio de ubicación

---

Las siguientes secciones le guiarán inmediatamente por el proceso de instalación y configuración de la impresora para realizar una impresión de prueba desde una aplicación. Realice todo el procedimiento para garantizar una instalación correcta.

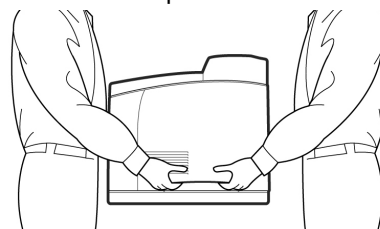
### Precauciones de seguridad

La impresora está disponible en cualquiera de las siguientes especificaciones de alimentación: 110 V y 220 – 240 V. Las especificaciones que se apliquen a la impresora dependen de la configuración. Para

evitar incendios o descargas eléctricas, conecte la clavija de alimentación únicamente a una toma de alimentación con la tensión nominal correcta.

### Manejo de la impresora

- La impresora es muy pesada y siempre deben levantarla dos personas. La impresora con los consumibles pesa 22,6 kg (50 libras). Nunca intente levantar la impresora sin ayuda.
- Para levantar la impresora, las dos personas deben colocarse una enfrente de la otra desde la parte frontal y posterior de la impresora, y sujetar las áreas hundidas a cada lado de la misma. No levante la impresora sujetándola por ninguna otra área que no sean las que están hundidas.



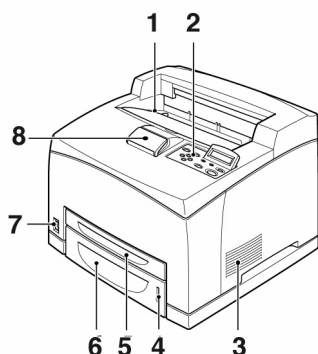
- Al levantar la impresora, mantenga una posición de elevación adecuada con el fin de evitar lesiones.
- En el folleto Información sobre seguridad, garantía, y regulaciones con este producto encontrará información de seguridad y se debe consultar antes de instalar la impresora.

---

## Ubicación de las partes de la impresora

---

A continuación, se muestran las partes principales de la impresora y una breve descripción de sus funciones:



### 1 Bandeja de salida central

Los trabajos de impresión se envían aquí con la cara impresa boca abajo.

### 2 Panel de control

Consta de botones de control, indicadores y pantalla.

Para obtener información sobre el panel de control, consulte "Panel de control y sistema de menús" en la página 20.

### 3 Ranuras de ventilación

Proporcionan ventilación al interior de la impresora.

### 4 Indicador de nivel de papel

Indica el nivel de papel que queda en la bandeja de papel de 550 hojas.

### 5 Bandeja 1

Contiene 150 hojas de papel.

### 6 Bandeja 2

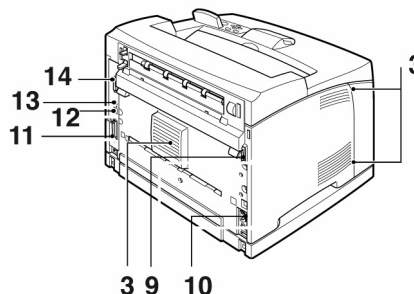
550 hojas de papel.

### 7 Interruptor de corriente

Enciende y apaga la impresora.

### 8 Bandeja de salida de extensión

Extraiga esta bandeja cuando imprima en papel de tamaño superior al tipo Letter.



### 9 Conector de la unidad duplex

Para conectar la unidad dúplex.

### 10 Conector del cable de alimentación

Para conectar el cable de alimentación.

### 11 Conector paralelo

Para conectar un cable paralelo.

### 12 Conector de red

Para conectar el cable de red cuando la impresora se utiliza en red. (Tiene que estar instalada la opción de kit de software de red para activar las funciones de red.)

### 13 Conector USB

Para conectar un cable USB.

### 14 Conector serie

Para conectar un cable serie.

---

## Preparación de una ubicación para la impresora

---

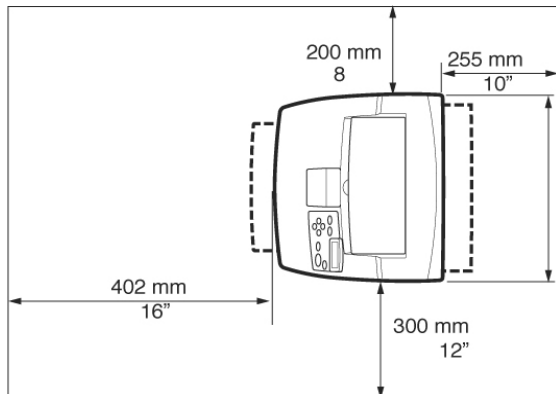
Coloque la máquina en una superficie nivelada y firme que pueda soportar el peso de la misma: 22,6 kg (50 libras). Si está inclinada, la máquina se puede caer y provocar lesiones.

### Requisitos de espacio

La impresora dispone de orificios de ventilación en los paneles laterales y posterior. Asegúrese de que la impresora se instala con una distancia mínima de 255 mm (10 pulgadas) desde la ranura de ventilación posterior a la pared, 200 mm (8 pulgadas) desde la ranura de ventilación izquierda a la pared y 300 mm (12 pulgadas) desde la ranura de ventilación derecha a la pared. Una máquina con una ventilación deficiente puede provocar un calor interno excesivo e incendios. En el siguiente diagrama se muestran las distancias mínimas necesarias para el funcionamiento normal, la sustitución de consumibles y el mantenimiento con el fin



de garantizar que la máquina funciona con un rendimiento óptimo.



### Entorno

Asegúrese de que la ubicación de instalación cumple las siguientes condiciones:

- No coloque la impresora en un entorno expuesto a altas temperaturas, con humedad, expuesto al polvo o con una ventilación deficiente. La exposición prolongada a dichas condiciones adversas puede provocar incendios o descargas eléctricas.
- Intervalo de temperaturas: 10 – 32 °C (50-89° F), intervalo de humedad: 15 – 85% (sin condensación). La humedad debe ser del 70% o inferior a 32 °C (89° F) y la temperatura debe ser 28 °C (82° F) o inferior al 85% de humedad.

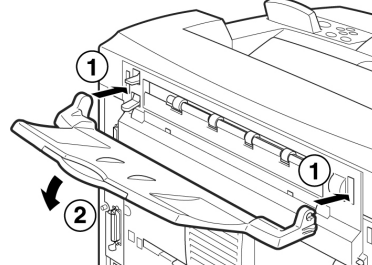
### NOTA

Los cambios de temperatura repentinos pueden afectar a la calidad de impresión. El calentamiento rápido de una sala fría o el traslado de la impresora de una ubicación con una humedad o temperatura baja a otra con una humedad o temperatura alta puede provocar condensación dentro de la impresora e interferir directamente en la transferencia de imagen. Si se produce condensación, deje que la impresora se aclimate al entorno durante 1 hora como mínimo antes de utilizarla.

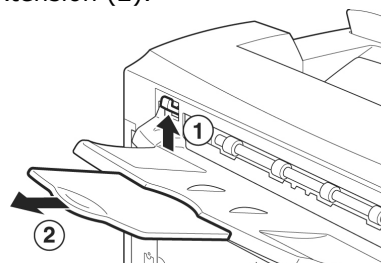
- No exponga la impresora a la luz solar directa.
- No exponga la impresora a la corriente directa del aire acondicionado o la calefacción.

## Instalación de la bandeja de salida boca arriba (posterior)

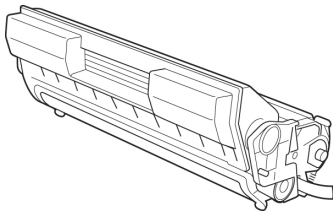
1. Inserte las lengüetas izquierda y derecha de la bandeja de salida boca arriba (posterior) en los orificios de la parte posterior de la impresora (1) y baje la bandeja hasta su posición (2).



2. Levante la palanca de la bandeja de salida posterior tal como se muestra en el diagrama (1) y extraiga la bandeja de extensión (2).



## Instalación del cartucho de tóner del tambor



### NOTA

La impresora se suministra con un cartucho de tóner del tambor con una capacidad de aproximadamente 6.000 páginas de tamaño Letter con un 5% de cobertura. Hay disponibles cartuchos de tóner del tambor de repuesto con capacidad de aproximadamente 6.000 o 10,000 páginas.

Cuando maneje el cartucho de tóner del tambor, tenga en cuenta las siguientes cuestiones:

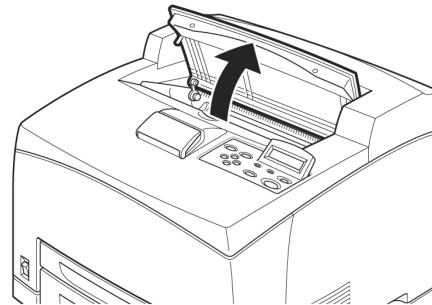
### ¡ADVERTENCIA!

Nunca tire un cartucho de tóner del tambor al fuego ya que puede provocar una explosión.

- No exponga el cartucho de tóner del tambor a la luz solar directa o a una luz intensa.
- Cuando instale el cartucho de tóner del tambor, seleccione una ubicación que no esté expuesta a una luz intensa e intente finalizar la instalación en 5 minutos.
- No toque la superficie del tambor fotosensible. No deje el cartucho de tóner del tambor boca abajo ni lo coloque boca abajo ya que se podría dañar el tambor.
- Aunque el tóner no es dañino para el cuerpo, lávese inmediatamente con agua fría si le cae tóner en las manos o en la ropa.
- Aunque el tóner no es perjudicial para el cuerpo, lávese inmediatamente las manos o la ropa si han estado en contacto con él.
- Se recomienda utilizar el cartucho de tóner del tambor en el período de un año después de extraerlo de su embalaje.

- Mantenga el cartucho de tóner del tambor fuera del alcance de los niños.

1. Abra la cubierta.



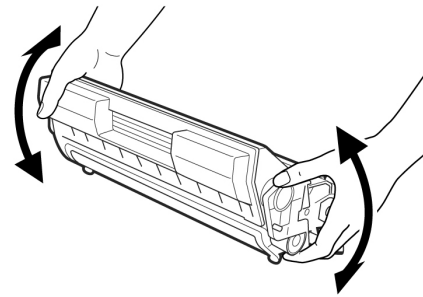
### NOTA

Si está instalada la bandeja de captura de separación opcional, pliéguela antes de abrir la cubierta.

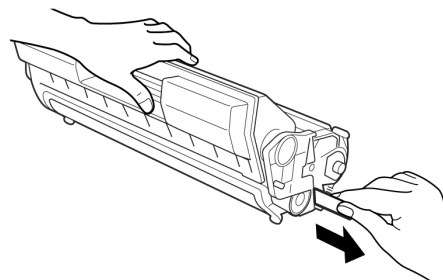
### ¡ADVERTENCIA!

No toque ninguna pieza del interior de la impresora.

2. Extraiga el cartucho de tóner del tambor del embalaje y sacúdalo siete u ocho veces tal como se muestra en el diagrama.



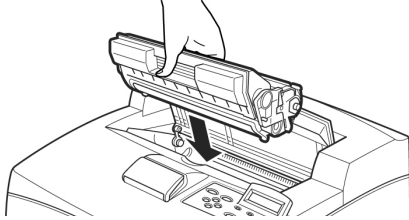
3. Coloque el cartucho de tóner del tambor en una superficie plana y extraiga el sello horizontalmente.



### ¡PRECAUCION!

- > Al extraer el sello, hágalo horizontalmente. Si se extrae en diagonal, la cinta se puede romper.
- > Después de extraer el sello, no sacuda ni golpee el cartucho de tóner del tambor.

4. Sujete el cartucho de tóner del tambor por el asa e insértelo en la ranura del interior de la impresora.



### ¡PRECAUCION!

- > No toque ninguna pieza del interior de la impresora.
- > Asegúrese de que el cartucho de tóner del tambor está colocado firmemente.

5. Cierre la cubierta de forma segura.

### NOTA

Si en el paso 1 se ha plegado la bandeja de captura de separación, cierre la cubierta y devuelva la bandeja a su posición original.

## Cables

### Conexión de un cable de interfaz

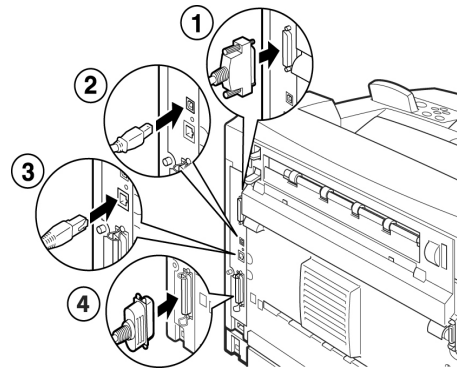
Conecte el cable de interfaz que se utilizará a la impresora.

### NOTA

Conecte un cable USB sólo después de haber instalado el controlador de impresora en el ordenador.

1. Conecte el cable de interfaz en el conector de interfaz de la parte posterior de la impresora: serie (1), USB (2), red (3), paralelo (4).  
En el caso de un cable paralelo, levante el clip de cable de ambos lados para

fijarlo después de insertarlo en el conector.

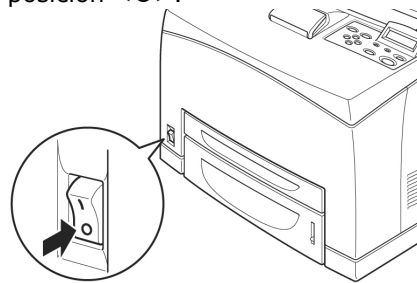


2. En el caso de los cables paralelo, USB o serie, conecte el otro extremo del cable en el conector de interfaz del ordenador.

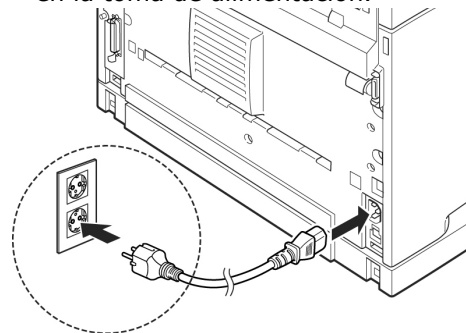
### Conexión del cable de alimentación

Cuando conecte el cable de alimentación, tenga en cuenta la información indicada en "Precauciones de seguridad" en la página 23.

1. Asegúrese de que el interruptor de corriente de la impresora está en la posición <O>.

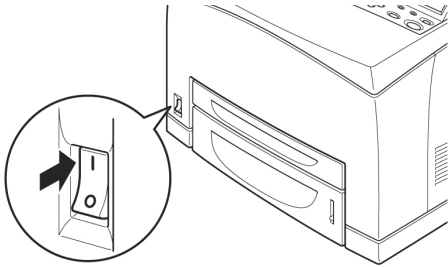


2. Conecte el cable de alimentación en el conector del cable de alimentación de la parte posterior de la impresora. Conecte el otro extremo del cable de alimentación en la toma de alimentación.



3. Cambie el interruptor de corriente de la impresora a la posición <I>.  
Se suministrará alimentación y el panel

de control mostrará que la impresora está preparada para imprimir.



#### NOTA

- > Si el mensaje "Nuevo Hardware encontrado" aparece en la pantalla, haga clic en Cancelar.
- > Según el entorno de red utilizado, pueden transcurrir algunos minutos antes de que la impresora esté preparada para imprimir.
- > Si aparece el mensaje de que la impresora está preparada para imprimir pero no puede recuperar una dirección IP, prosiga del modo habitual.

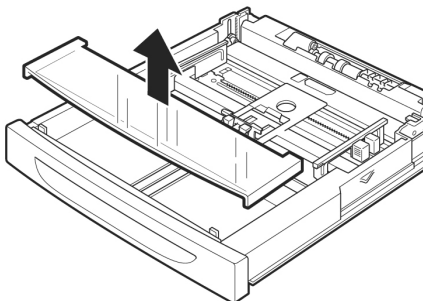
## Carga del papel

Esta sección se explica cómo cargar papel normal de tamaño carta con una orientación vertical en la bandeja de papel.

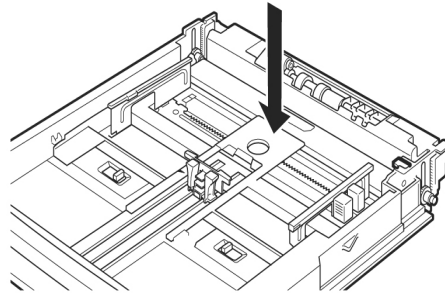
Orientación  
vertical



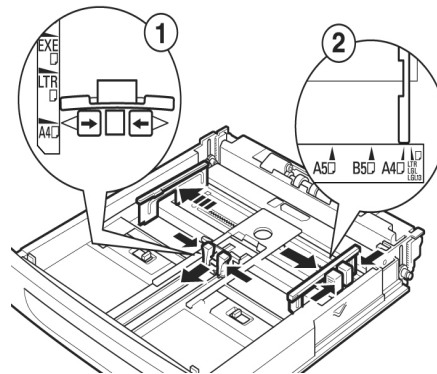
1. Coloque la bandeja de papel en una superficie plana y extraiga la tapa.



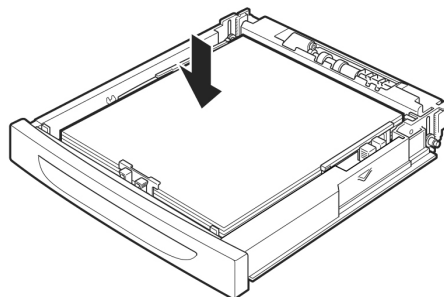
2. Si la placa base de la bandeja de papel está levantada, empújela para que se quede abajo.



3. Presione la guía de longitud y deslícela al tamaño de papel que desee (1). Presione la guía de anchura derecha y deslícela al tamaño de papel que desee (2).



4. Cargue el papel con la cara que se imprimirá boca arriba y con las cuatro esquinas alineadas.



### ¡PRECAUCION!

- > No coloque papel sobre la guía de anchura derecha.
- > No cargue papel por encima de la línea de llenado máximo ni supere la capacidad máxima permitida.
- > Alinee la guía de anchura derecha con la anchura del papel correctamente. Si la guía de anchura derecha no está en su posición, el papel no se cargará correctamente y se podrán producir atascos de papel.

5. Cierre la tapa de la bandeja de papel y empuje la bandeja completamente en la impresora.

### ¡PRECAUCION!

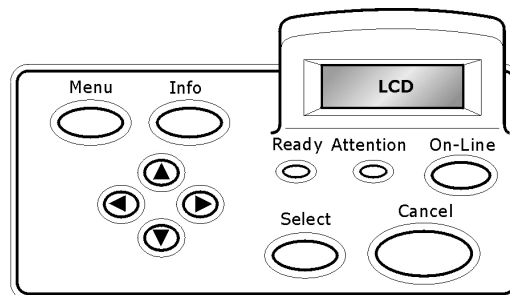
La tapa de la bandeja debe estar cerrada firmemente. Si no es así, el papel se puede alinear incorrectamente.

6. Según los tipos y tamaños del papel cargado, tendrá que configurar los ajustes del panel de control. Cambie el tipo de papel cuando cargue papel que no sea normal, como papel reciclado, papel de mucho gramaje o transparencias. Configure el tamaño de papel cuando cargue papel de tamaño personalizado.

## Panel de control y sistema de menús

Para obtener información detallada sobre el panel de control y la estructura de menús, consulte la Guía de referencia.

Los componentes del panel de control y sus funciones se describen a continuación:



Name	Nombre
Botón <MENU>	Presionar para entrar en el menú. Una vez dentro del menú puede presionar el botón varias veces para deslizarse en la lista del menú.
Botón <INFO>	Presionar para imprimir Menu Map (Información del menú) El Menu Map (2 páginas) se imprime e indica todas las configuraciones vigentes de la impresora.
Indicador <READY>	Cuando está encendido, la impresora está lista para recibir datos de la computadora.
Pantalla LCD	Muestra los ítems configurables, el estado de la impresora y los mensajes.
Indicador <ATTENTION>	Si está encendido indica que la impresora no está funcionando bien.
Botón/indicador <On-Line>	Presionar para colocar la impresora fuera de línea. Cuando está en modo fuera de línea, la impresora no puede recibir datos ni procesar tareas de impresión. Presione el botón otra vez para colocar la impresora en línea (de manera que pueda recibir datos de la computadora).
Botón <CANCEL>	Presionar para cancelar la impresión. Presionar para salir del modo menú.
Botón <Select>	Presionar para activar la configuración en el panel. Cuando está cambiando los valores seleccionados, al presionar el botón Select aparece el valor vigente o guarda el valor seleccionado en el panel.
<▲> <▼> <◀> <▶> Botones	Presionarlos para alcanzar el menú, ítem o valor necesario que aparece en la pantalla.

## Desplazamiento por los menús del panel de control

Mostrar o cerrar la pantalla de menú	Botón <MENU (Menú)>
Cambiar de nivel de menú	Botón <▶> (baja un nivel) o botón <◀> (sube un nivel)
Cambiar de menú o elemento en el mismo nivel	Botón <▲> (muestra el menú o elemento anterior) o botón <▼> (muestra el menú o elemento siguiente)
Mover el cursor ( ) del valor de ajuste a la derecha o a la izquierda	Botón <▶> (mueve a la derecha) o botón <◀> (mueve a la izquierda)
Confirmar ajuste	Botón <FEED/SELECT (Cargar/Seleccionar)>

Al pulsar el botón MENU (Menú) en el panel de control, se accede al sistema de menús de la impresora. La primera línea de la pantalla contiene el texto [Menu] (Menú), lo que indica que se encuentra en el sistema de menús. La segunda línea de la pantalla muestra el menú activo, que puede cambiar pulsando el botón <▲> o <▼>.

Si pulsa estos botones varias veces, puede recorrer los menús principales en el siguiente orden: Print Language (Lenguaje de impresión), Report/List (Informe/Lista), Meter Reading (Contador), Admin Menu (Menú de administración), Display Language (Idioma).

Si utiliza los botones de flecha como se ha indicado anteriormente, puede desplazarse por el sistema de menús para realizar cualquier ajuste necesario. Por ejemplo, para definir el tipo de papel de la bandeja 1 de modo que admita papel reciclado, desplácese del siguiente modo: Admin Menu (Menú de administración), Printer Settings (Ajustes de impresora), Paper Type (Tipo de papel), Tray 1 (Bandeja 1), Recycled (Reciclado) y, a continuación, pulse el botón <FEED/SELECT (Cargar/Seleccionar)> para registrar el ajuste y el botón <MENU (Menú)> para cerrar la pantalla de menú.

## Selección del idioma del panel de control

El idioma predeterminado para todos los mensajes de error y de estado es el inglés; sin embargo, estos mensajes también están disponibles en muchos idiomas. Realice el

procedimiento siguiente para cambiar el idioma.

### NOTA

Consulte la sección "Panel de control y sistema de menús" en la página 29 para obtener una breve descripción del panel de control y de sus menús y submenús.

1. Pulse el botón <MENU (Menú)> para mostrar la pantalla de menú.
2. Pulse el botón <▲> o <▼> hasta que se muestre [Display Language] (Idioma) y, a continuación, pulse el botón <▶>.
3. Pulse el botón <▲> o <▼> hasta que se muestre el idioma que desee y, a continuación, pulse el botón <FEED/SELECT (Cargar/Seleccionar)>.
4. Pulse el botón <MENU (Menú)> para completar el ajuste de idioma.

## Impresión de un resumen de la configuración

Para comprobar si la impresora está instalada correctamente, utilice el panel de control para imprimir [System Settings List] (Lista de ajustes del sistema).

### NOTA

Si ha cometido un error al utilizar el panel de control, pulse el botón <MENU (Menú)> para reiniciar. Para obtener información sobre cómo utilizar el panel de control, consulte "Panel de control y sistema de menús" en la página 29.

1. Pulse el botón <MENU (Menú)> para mostrar la pantalla de menú.
2. Pulse el botón <▲> o <▼> hasta que se muestre [Report/List] (Informe/Lista) y, a continuación, pulse el botón <▶>.
3. Pulse el botón <▲> o <▼> hasta que se muestre [System Settings] (Ajustes del sistema) y, a continuación, pulse el botón <▶>.
4. Pulse el botón <FEED/SELECT (Cargar/Seleccionar)>. Se imprimirá [System Settings List] (Lista de ajustes del sistema).

5. Pulse el botón <MENU (Menú)> cuando haya terminado la impresión.

#### NOTA

- > El diseño de [System Settings List] (Lista de ajustes del sistema) puede variar según la configuración y los ajustes de la impresora.
- > Se muestra [Rear Output Tray] (Bandeja de salida posterior) en la columna de dispositivo de salida aunque no esté instalada la bandeja posterior.
- > Los informes o listas no se pueden enviar a la bandeja de salida boca arriba (posterior). Si está instalada la bandeja de salida boca arriba (posterior), baje la palanca de dicha bandeja.

### Definición de configuraciones de la impresora mediante una página Web

Mediante una función de página Web puede utilizar un explorador Web en un entorno con funciones TCP/IP para mostrar el estado de la impresora o de impresión de trabajos y cambiar los ajustes.

Entre los ajustes de impresora que se realizan en el panel de control, se pueden configurar los ajustes de sistema y de puertos de red en [Printer] (Impresora), [Network] (Red) y [Maintenance] (Mantenimiento) de la página Web.

#### NOTA

- > La función de página Web sólo está disponible cuando la impresora está conectada a la red.
- > Consulte la Guía del Usuario de Redes si la página Web no aparece después de realizar los pasos 1 y 2 indicados a continuación.
- > También puede utilizar Telnet para definir la configuración de la impresora. Para obtener más información sobre los ajustes, consulte la guía de configuración de la NIC.

1. Inicie el ordenador y el explorador Web.
2. Introduzca la dirección IP o la URL de la impresora en la columna de entrada de direcciones en el explorador Web y pulse la tecla <Intro>.

#### Uso de la ayuda en línea

Para obtener más información relacionada con los elementos que se pueden definir en cada pantalla, haga clic en el botón [Help] (Ayuda) para mostrar la ayuda en línea.

## Imprima una página de prueba

Después de finalizar el procedimiento de instalación, verifique que la impresora funciona correctamente mediante la impresión de un documento desde una aplicación.

## Windows

### Configuración de red

#### Imprimir las hojas de configuración

1. Encienda la impresora y espere a que la luz de estado del servidor (2) deje de centellear.
2. Presione el botón TEST (3) en el Servidor de impresión para imprimir las hojas de configuración Network Information (Información de red). Tenga a la mano estas hojas: contienen la información que necesita para configurar la impresora en la red.

#### Inserte el CD

1. *Inserte el CD en su unidad CD-ROM. El CD se ejecuta automáticamente. Si el CD no se ejecuta, haga clic en Start (Inicio) → Run (Ejecutar) → Browse (Examinar). Busque la unidad CD-ROM. Doble clic en Install.exe. Haga clic en OK (Aceptar).*
2. Seleccione su idioma.
3. Acepte el Contrato de licencia.
4. Aparece la ventana de Installer (Instalador).

#### Instale el controlador

5. Haga clic en Install Driver [Instalar controlador].
6. Seleccione Network Printer (Impresora en red).
7. Siga las instrucciones en pantalla.
8. Cuando se le indica, seleccione la emulación de la impresora (PS o PCL).

Puede que tenga que entrar la dirección IP de su impresora. La dirección IP se encuentra en la Hoja de Configuración.

#### Haga una prueba de instalación de controladores de la impresora

Para asegurarse de que el software se instaló correctamente, imprima una página desde cualquier programa. Instale de nuevo el software si la instalación falla.

## Cómo utilizar un explorador Web (Opcional)

Utilice su navegador Web para configurar el servidor de impresión y para tener acceso al menú de la impresora en una página Web designada.

*Nota:* Para obtener más detalles, consulte la *Guía del Usuario de Redes en el CD que vino con su impresora.*

1. Abra su explorador Web (Microsoft Explorer o Netscape Navigator 4.0 o más reciente).
2. Entrar la dirección IP de su impresora. La dirección IP se encuentra en la Hoja de Configuración.

Haga clic en la ficha para ver una Categoría en particular.

## Instalar utilidades y descargas

*Nota:* Debe estar conectado a la Internet para descargar utilities (utilidades).

1. Seleccione Optional Utilities (Utilidades opcionales) o Internet Downloads (Descargas de Internet) de la barra del menú de instalación del CD.
2. Haga clic en las utilidades o descargas que desea instalar y siga las instrucciones.

## Activar los accesorios opcionales

*Nota:* Si su impresora tiene instalada una segunda bandeja de papel opcional o Unidad de Disco Duro, debe usar el controlador para activarlos.

3. Haga clic en Start (Inicio) → Settings (Configuración) → Printers (Impresoras) [and Faxes (y Faxes)] en la barra de tareas de Windows.
4. Haga clic con el botón derecho en el icono de impresora.
5. Haga clic en Properties (Propiedades).
6. Haga clic en la ficha Device Option (Opciones de dispositivo).
7. Haga clic en Available Tray (Bandeja disponible) y seleccione su bandeja de papel del menú desplegable.

## Conexión Windows USB

### Instalar el controlador

*Nota:* Instalar el controlador antes de conectar el cable USB a la impresora.

1. Apague la impresora.
2. Inserte el CD en su unidad CD-ROM. El CD se ejecuta automáticamente. Si el CD no se ejecuta, haga clic en Start (Inicio)

→ Run (Ejecutar) → Browse (Examinar). Busque la unidad CD-ROM. Doble clic en Install.exe. Haga clic en OK (Aceptar).

3. Seleccione su idioma.
4. Acepte el Contrato de licencia.
5. Haga clic en Install Driver [Instalar controlador].
6. Haga clic en Local printer (Impresora local). Siga las instrucciones en pantalla.
7. Cuando se le indica, seleccione la emulación de la impresora (PS o PCL).
8. Cuando se le indica, conecte el cable USB y encienda la impresora.

## Haga una prueba de instalación de controladores de la impresora

Para asegurarse de que el software se instaló correctamente, imprima una página desde cualquier programa. Instale de nuevo el software si la instalación falla.

## Instalar utilidades y descargas

*Nota:* Debe estar conectado a la Internet para descargar utilities (utilidades).

1. Seleccione Optional Utilities (Utilidades opcionales) o Internet Downloads (Descargas de Internet) de la barra del menú de instalación del CD.
2. Haga clic en las utilidades o descargas que desea instalar y siga las instrucciones.

## Activar los accesorios opcionales

*Nota:* Si su impresora tiene instalada una segunda bandeja de papel opcional o Unidad de Disco Duro, debe usar el controlador para activarlos.

3. Haga clic en Start (Inicio) → Settings (Configuración) → Printers (Impresoras) [and Faxes (y Faxes)] en la barra de tareas de Windows.
4. Haga clic con el botón derecho en el icono de impresora.
5. Haga clic en Properties (Propiedades).
6. Haga clic en la ficha Device Option (Opciones de dispositivo).

Haga clic en la opción que desea activar. Para la Segunda Bandeja de Papel, haga clic en Available Tray (Bandeja disponible) y seleccione su bandeja de papel del menú desplegable.



---

## Macintosh

---

### Instale los controladores de la impresora

1. Encienda la impresora, luego encienda la computadora.
2. Coloque el CD que vino con la impresora, en la unidad CD-ROM.
3. Haga doble clic en el icono del CD que aparece en su escritorio.
4. Abra la carpeta MAC (OSX o OS9).
5. Haga doble clic en el icono MAC B6250 Installer. Aparece Installer (Instalador) con el controlador preseleccionado.
6. Seleccione las utilidades que desea instalar. Haga clic en Install (Instalar).

### Agregue la impresora

1. Ejecute Print Center (Centro de impresión) o Print Setup Utility (Utilidad de Instalación de Impresión). Haga clic en Add (Agregar).
2. Haga clic en More Printers (Más impresoras).
3. Seleccione OKI USB, OKI TCP/IP, Rendezvous/Bonjour o del menú desplegable.

*Nota: Si está utilizando USB, seleccione OKI USB e ignore el paso 4.*

4. Entre la dirección IP de la impresora.
5. Seleccione el modelo de su impresora. Haga clic en Add (Agregar).
6. Cierre Print Center (Centro de impresión).

---

## Verificação do conteúdo do pacote

---

Verifique se todos os itens relacionados abaixo estão incluídos no pacote da impressora. Se alguns itens estiverem ausentes ou danificados, entre em contato com o fornecedor.

### NOTA

Guarde o material da embalagem e a caixa para utilização futura, se houver necessidade de mover a impressora para lugares distantes.

- Impressora
- Cilindro/Cartucho de toner com (para aproximadamente 6.000 páginas de papel carta com 5% de cobertura, ou seja, 5% da área destinada à impressão é impressa)
- Bandeja de papel para 250 folhas
- Bandeja de face para cima (posterior)
- Cabo(s) de alimentação
- Instruções para desembalar a impressora e Guia de instalação rápida
- Folheto de segurança e de garantia
- CD-ROM
- O CD-ROM contém os drivers da impressora, o software e a documentação que o ajudarão a utilizar todos os recursos da impressora. A Oki fornece uma interface, no MS Windows, para ajudá-lo na seleção de documentos ou aplicativos adequados.

---

## Procedimento de instalação e realocação

---

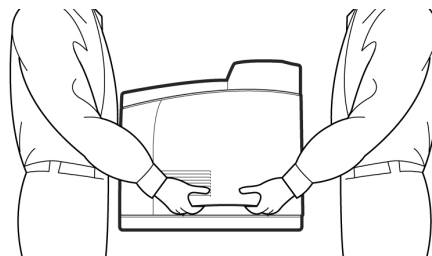
As seções a seguir orientam o processo de instalação e configuração da impressora para fazer um teste de impressão a partir de um aplicativo. Conclua todo o procedimento de instalação para obter uma instalação adequada.

### Precauções de segurança

Essa impressora está disponível para as seguintes especificações de energia: 110V e 220 – 240V. As especificações da impressora dependem de sua instalação local. Para evitar risco de incêndio ou choque, conecte o cabo de energia somente a uma tomada com a tensão correta.

### Manuseio da impressora

- A impressora é muito pesada e deve ser levantada sempre por duas pessoas. Ela pesa, com os materiais de consumo, 22,6kg (50lb). Não tente levantá-la sozinho.
- Para levantar a impressora, são necessárias duas pessoas uma de frente para a outra, na parte anterior e posterior, segurando as áreas de encaixe nas laterais da impressora. Não levante a impressora segurando em outras áreas diferentes dessas áreas de encaixe.



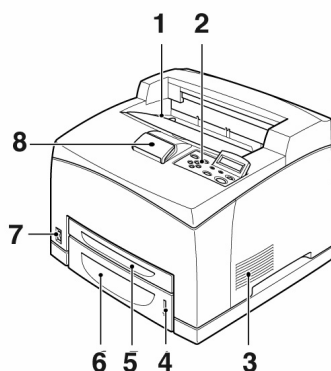
- Ao levantar a impressora, mantenha a postura adequada para evitar danos.
- O folheto Safety, Warranty and Regulatory Information (Informações sobre segurança, garantia, e normativas, fornecido com este produto, apresenta mais informações sobre segurança, que devem ser lidas antes de configurar a impressora.

---

## Localização das partes da impressora

---

As principais partes da impressora e uma breve descrição de suas funções são exibidas a seguir:



### 1 Bandeja de saída central

Os trabalhos de impressão são colocados aqui com o lado impresso voltado para baixo.

### 2 Painel de controle

Consiste nos botões de controle, indicadores e visor.

Para obter detalhes sobre o painel de controle, consulte "Painel de controle e sistema de menu" na página 40.

### 3 Aberturas de ventilação

Fornecem ventilação para o interior da impressora

### 4 Indicador de nível de papel

Indica o nível de papel restante na bandeja para 550 folhas.

### 5 Bandeja 1

Tem capacidade para 150 folhas de papel.

### 6 Bandeja 2

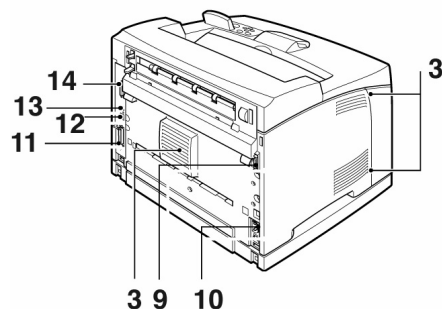
550 folhas de papel.

### 7 Interruptor

Liga e desliga a impressora.

### 8 Extensão da bandeja de saída

Estende a bandeja ao imprimir em papel maior que A4.



### 9 Conector de unidade duplex

Para conectar a unidade duplex.

### 10 Conector do cabo de alimentação

Para conectar o cabo de alimentação.

### 11 Conector paralelo

Para conectar um cabo paralelo.

### 12 Conector de rede

Para conectar o cabo de rede ao usar a impressora em rede. (O Kit de software de rede (opcional) deve estar instalado para ativar os recursos de rede.)

### 13 Conector USB

Para conectar um cabo USB.

### 14 Conector serial

Para conectar um cabo serial.

---

## Preparação do local da impressora

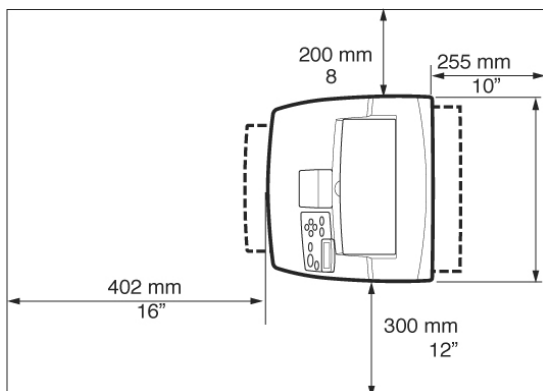
---

Coloque a impressora em uma superfície plana e firme que possa suportar seu peso – 22,6 kg (50lb). Se a superfície estiver inclinada, a impressora pode cair e causar prejuízos.

### Requisitos de espaço

A impressora possui orifícios de ventilação nos painéis laterais e posterior. Certifique-se de que a impressora esteja instalada com o espaço mínimo de 255mm (10 pol.) entre a abertura de ventilação posterior e uma parede, 200mm (8 pol.) entre a abertura de ventilação esquerda e uma parede e 300mm (12 pol.) entre a abertura de ventilação direita e uma parede. Uma impressora mal ventilada pode causar superaquecimento interno e provocar incêndio. A figura a seguir mostra os espaços mínimos exigidos para a operação normal, a substituição de materiais de consumo e a manutenção para garantir

que a impressora funcione com o máximo de desempenho.



### Ambiente

Certifique-se de que o local de instalação atende às seguintes condições:

- Não coloque a impressora em um ambiente quente, úmido, empoeirado ou mal ventilado. A exposição prolongada a tais condições adversas pode resultar em incêndio ou em choque elétrico.
- Variação de temperatura de 10 a 32 °C (50 a 89° F), variação de umidade de 15 a 85% (sem condensação). A umidade deve ser de 70% ou inferior, a 32 °C (89° F) a temperatura deve ser de 28 °C (82° F) ou inferior com umidade de 85%.

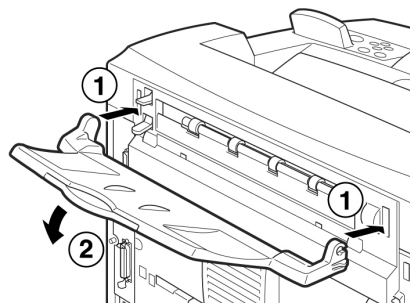
### NOTA

A variação brusca de temperatura pode afetar a qualidade da impressão. O aquecimento rápido de uma sala fria ou mover a impressora de um local com umidade/temperatura baixa para um local com umidade/temperatura alta pode causar condensação dentro da impressora, interferindo diretamente na transferência de imagem. Quando ocorrer condensação, deixe a impressora pelo menos uma hora no ambiente antes de usá-la para que ela se adapte à temperatura e à umidade.

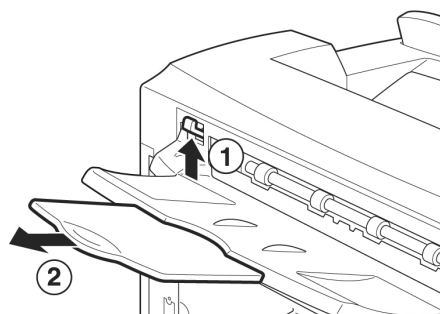
- Não exponha a impressora à luz solar.
- Não exponha a impressora diretamente à corrente de ar condicionado ou aquecido.

## Instalação da bandeja de face para cima (posterior)

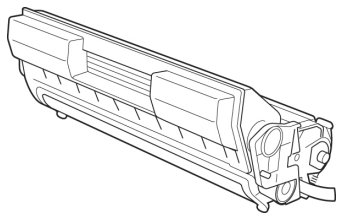
1. Insira as guias direita e esquerda da bandeja de face para cima (posterior) nos orifícios na parte posterior da impressora (1) e abaixe a bandeja até a posição (2).



2. Empurre a alavanca da bandeja de saída posterior, como mostra a figura (1), e puxe a extensão da bandeja (2).



## Instalação do cartucho de toner com cilindro



### NOTA

A impressora é fornecida com um cartucho de toner com cilindro com capacidade para imprimir aproximadamente 6.000 páginas tamanho carta com 5% de cobertura. Os cartuchos de toner com cilindro de substituição estão disponíveis com capacidade para imprimir aproximadamente 6,000 ou 10.000 páginas.

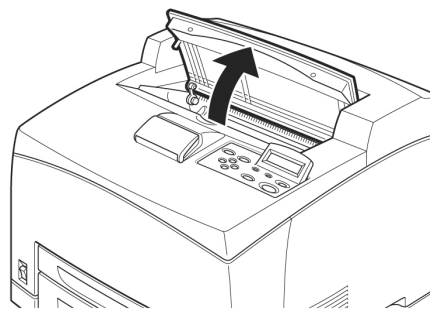
Preste atenção nos seguintes pontos ao manusear o cartucho de toner com cilindro:

### AVISO!

Nunca jogue o cartucho de toner com cilindro ao fogo; isso pode causar uma explosão.

- Não exponha o cartucho de toner com cilindro diretamente à luz solar ou luz de alta intensidade.
- Ao instalar o cartucho de toner com cilindro, escolha um local que não esteja sujeito à luz de alta intensidade e tente finalizar a instalação em 5 minutos.
- Não toque a superfície do cilindro fotossensível. Não deixe o cartucho de toner com cilindro de cabeça para baixo nem o coloque nessa posição, pois isso pode danificá-lo.
- Uma capa protege o cilindro fotossensível contra a luz. Não abra a capa do cilindro.
- Apesar de o toner não ser nocivo, lave imediatamente as suas mãos ou roupas com água fria se entrarem em contato com ele.
- É recomendado usar o cartucho de toner com cilindro em um ano, após retirá-lo de sua embalagem.
- Mantenha o cartucho de toner com cilindro longe do alcance das crianças.

1. Abra a tampa.



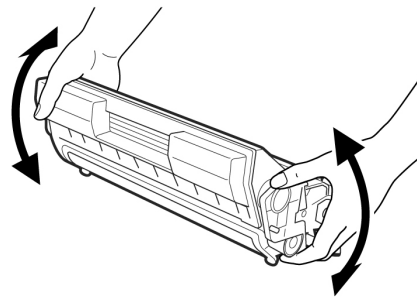
### NOTA

Quando a bandeja para impressão em offset (opcional) estiver instalada, feche a bandeja antes de abrir a tampa.

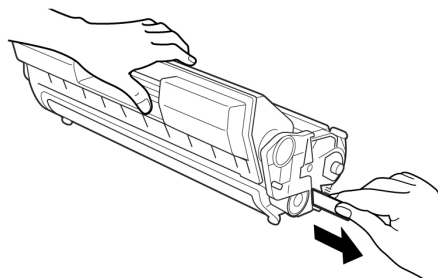
### AVISO!

Não toque nenhuma peça interna da impressora.

2. Retire o cartucho de toner com cilindro da embalagem e agite-o sete ou oito vezes, como mostra a figura.



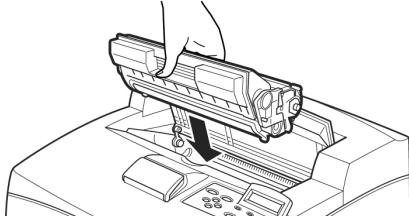
3. Coloque o cartucho de toner com cilindro em uma superfície plana e retire a vedação horizontalmente.



### CUIDADO!

Retire a vedação horizontalmente. A fita poderá partir se ela for retirada na diagonal. Depois de retirar a vedação, não agite nem bata no cartucho de toner com cilindro.

4. Segure-o pela alça e encaixe-o na abertura interna da impressora.



### CUIDADO!

Não toque nenhuma peça interna da impressora. Certifique-se de que o cartucho de toner com cilindro esteja encaixado firmemente.

5. Feche a tampa com segurança.

### NOTA

Se a bandeja para impressão em offset estiver aberta, como na Etapa 1, feche a tampa e então coloque a bandeja na posição original.

## Cabos

### Conexão do cabo de interface

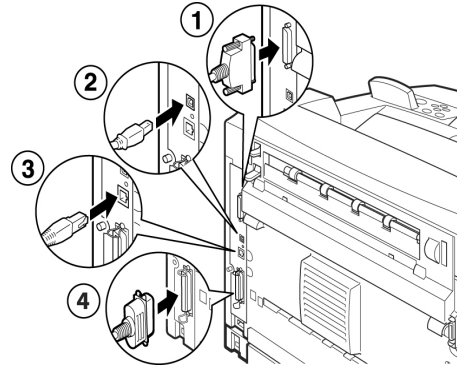
Conecte o cabo de interface a ser usado para a impressora.

### NOTA

Conecte um cabo USB somente após a instalação do driver de impressora no computador.

1. Conecte o cabo de interface ao conector de interface na parte posterior da impressora: serial (1), USB (2), rede (3), paralelo (4). Para um cabo paralelo, levante o prendedor do fio nos dois lados para

segurá-lo depois que ele for encaixado no conector.

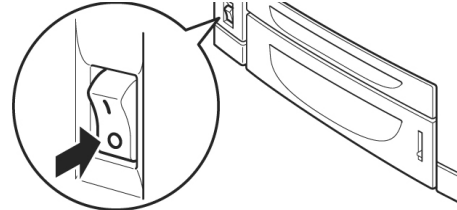


2. Para o cabo paralelo, USB ou serial, conecte a outra extremidade do cabo ao conector de interface do computador.

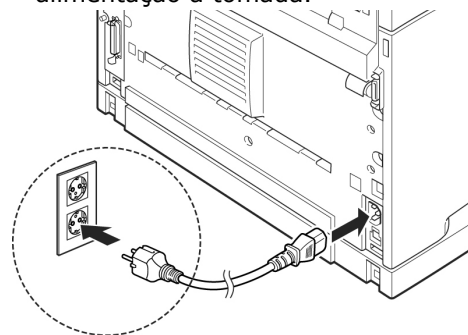
### Conexão do cabo de alimentação

Ao conectar o cabo de alimentação, leia as informações fornecidas em "Precauções de segurança" na página 34.

1. Certifique-se de que o interruptor da impressora esteja na posição <O>.

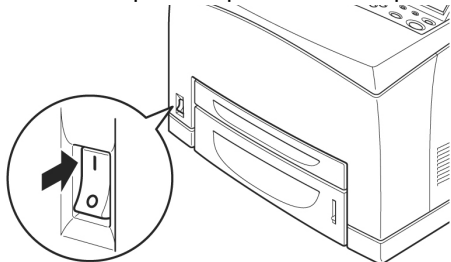


2. Conecte o cabo de alimentação ao conector do cabo de alimentação na parte posterior da impressora. Conecte a outra extremidade do cabo de alimentação à tomada.



3. Coloque o interruptor da impressora na posição <I>. A energia será aplicada e o painel de

controle mostrará uma mensagem dizendo que a impressora está pronta.



#### NOTA

- > Se a mensagem "Novo hardware encontrado" aparecer na tela, clique em Cancelar.
- > Dependendo do ambiente de rede usado, pode demorar alguns minutos até que a impressora esteja pronta.
- > Se uma mensagem, dizendo que a impressora está pronta mas que não é possível recuperar um endereço IP, for exibida, continue a operação normalmente.

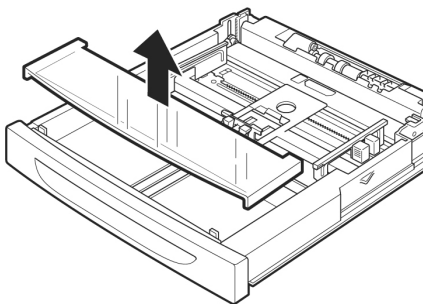
## Colocação de papel

Esta seção explica como colocar papel carta comum, na orientação retrato, na bandeja de papel.

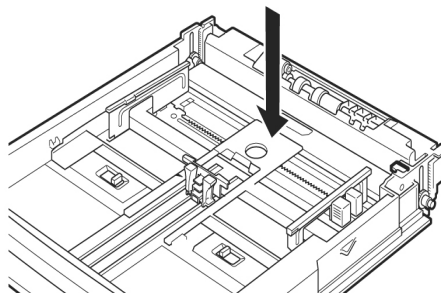
Orientação  
retrato



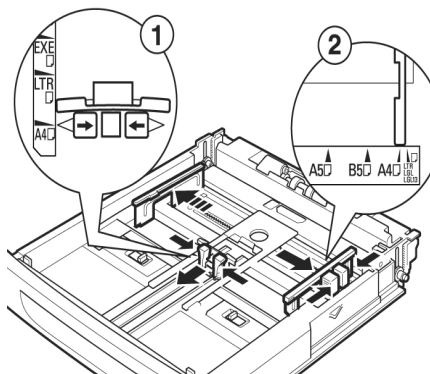
1. Coloque a bandeja em uma superfície plana e remova a tampa.



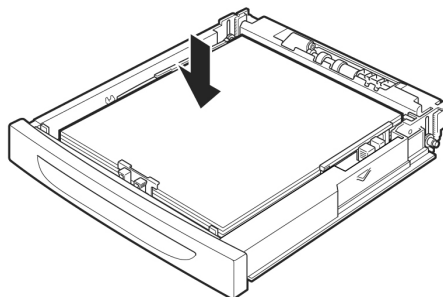
2. Se a placa de base da bandeja de papel estiver levantada, abaixe-a.



3. Aperte a guia de comprimento e deslize-a até o tamanho desejado do papel (1). Aperte a guia de largura da direita e deslize-a até o tamanho desejado do papel (2).



4. Coloque o papel com o lado a ser impresso para cima e com os quatro cantos alinhados.



### CUIDADO!

- > Não coloque papel além da guia de largura da direita.
- > Não coloque papel além da linha de preenchimento máximo ou acima da capacidade máxima permitida.
- > Alinhe a guia de largura da direita à largura do papel, de forma correta. Se a guia de largura da direita não estiver no lugar, o papel não será alimentado adequadamente, podendo causar atolamento de papel.

5. Feche a tampa da bandeja de papel e encaixe-a totalmente na impressora.

### CUIDADO!

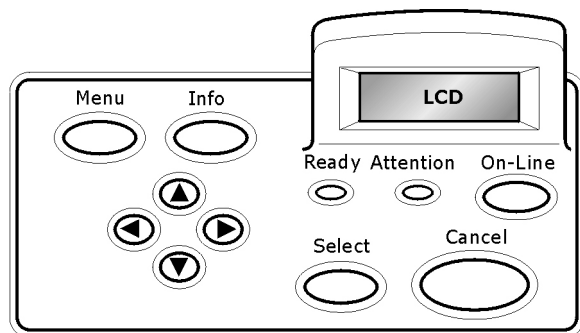
A tampa da bandeja deve estar bem fechada. Caso contrário, o papel pode se desalinhar.

6. Dependendo do tipo e do tamanho do papel colocado, será necessário definir as configurações no painel de controle. Altere o tipo do papel quando usar papéis diferentes do liso, como papel reciclado, papel mais pesado ou transparências. Configure o tamanho do papel quando um papel de tamanho personalizado for usado.

## Painel de controle e sistema de menu

Para obter todos os detalhes sobre o painel de controle e a estrutura de menu, consulte o Guia de referência.

Os componentes do painel de controle e suas funções são descritos abaixo:



Nome	Descrição
Botão <MENU>	Pressione-o para comandar a impressora por meio de menus. Assim que entrar no modo de operação por menus, pressione repetidamente o botão <Menu> para acessar a lista de menus.
Botão <INFO>	Pressione-o para imprimir a estrutura dos menus. A estrutura dos menus (2 páginas) será impressa com todas as configurações atuais da impressora.
Indicador <READY>	Quando a luz está acesa, a impressora está pronta para receber dados do computador.
Display de cristal líquido	Exibe os itens de configuração, o estado do equipamento e mensagens.
Indicador <ATTENTION>	Quando a luz está acesa, indica que há um problema de funcionamento na impressora.
Botão/indicador <On-Line>	Pressione-o para entrar no modo off-line. Quando está no modo off-line, a impressora não consegue receber dados nem processar trabalhos de impressão. Pressione-o novamente para sair do modo off-line e entrar no modo on-line (que permite que a impressora receba dados do computador).
Botão <CANCEL>	Pressione-o para cancelar a impressão. Pressione-o para sair do modo Menu.
Botão <Select>	Pressione-o para ativar a configuração exibida. Quando se está alterando os valores desejados, pressione o botão <Select> para executar a atividade exibida no momento ou salvar os valores exibidos.
Botões <▲> <▼> <◀> <▶>	Pressione-os para acessar o menu, item e valor desejado no display.



## Navegação nos menus do painel de controle

Exibir/Fechar a tela de Menu	Botão <MENU>
Alternar entre os níveis de menu	Botão <▶> (move para um nível abaixo) ou botão <◀>(move para um nível acima)
Alternar entre os menus ou itens no mesmo nível	Botão <▲> (exibe o menu ou o item anterior) ou botão <▼> (exibe o próximo menu ou item)
Mover o cursor ( ) do valor da configuração para a direita ou esquerda	Botão <▶> (move para a direita) ou botão <◀> (move para a esquerda)
Confirmar configuração	Botão <FEED/SELECT (ALIMENTAR/SELECIONAR)>

Ao pressionar o botão MENU no painel de controle, você entra no sistema de menus da impressora. Nesse ponto, a primeira linha do visor contém o texto [Menu], indicando que você está no sistema de menus. A segunda linha do visor relaciona o menu ativo, que pode ser alterado pressionando o botão <▲> ou <▼>.

Ao usar esses botões várias vezes, será possível navegar nos principais menus na seguinte ordem: Print Language (Idioma de impressão); Report/List (Relatório/Lista); Meter Reading (Leitura de registro); Admin Menu (Menu admin); Display Language (Idioma de exibição).

Usando os botões de seta, como indicado acima, será possível navegar pelo sistema de menus para fazer quaisquer configurações necessárias. Por exemplo, para definir o tipo de papel na Bandeja 1 para acomodar papel reciclado, faça o seguinte: Admin Menu (Menu admin), Printer Settings (Configurações da impressora), Paper Type (Tipo de papel), Tray 1 (Bandeja 1), Recycled (Reciclado) e, em seguida, pressione o botão <FEED/SELECT (ALIMENTAR/SELECIONAR)> para gravar a configuração e o botão <MENU> para fechar a tela de menu.

## Seleção do idioma do painel de controle

O inglês é o idioma padrão para todas as mensagens de erro e de status; contudo, essas mensagens também podem estar disponíveis em outros idiomas. Siga o

procedimento abaixo para alterar o idioma de exibição.

### NOTA

Consulte a seção "*Painel de controle e sistema de menu*" na página 40 para obter uma breve visão geral do painel de controle e de seus menus e submenus.

1. Pressione o botão <MENU> para exibir a tela de Menu.
2. Pressione o botão <▲> ou <▼> até que a opção [Display Language (Idioma de exibição)] seja exibida e, em seguida, pressione o botão <▶>.
3. Pressione o botão <▲> ou <▼> até que o idioma desejado seja exibido e, em seguida, pressione o botão <FEED/SELECT (ALIMENTAR/SELECIONAR)>.
4. Pressione o botão <MENU> para concluir a configuração do idioma.

## Impressão do resumo de configuração

Para verificar se a impressora está corretamente instalada, use o painel de controle para imprimir a [Lista de configurações do sistema]

### NOTA

Se você cometer um erro ao operar o painel de controle, pressione o botão <MENU> para reiniciar. Para obter detalhes sobre como operar o painel de controle, consulte "*Painel de controle e sistema de menu*" na página 40.

1. Pressione o botão <MENU> para exibir a tela de Menu.
2. Pressione o botão <▲> ou <▼> até que a opção [Report/List (Relatório/Lista)] seja exibida e, em seguida, pressione o botão <▶>.
3. Pressione o botão <▲> ou <▼> até que a opção [System Settings (Configurações do sistema)] seja exibida e, em seguida, pressione o botão <▶>.
4. Pressione o botão <FEED/SELECT (ALIMENTAR/SELECIONAR)>. A opção [System Settings List (Lista de configurações do sistema)] será exibida.

5. Pressione o botão <MENU> quando a impressão for concluída.

#### NOTA

- > O layout da opção [System Settings List (Lista de configurações do sistema)] pode ser diferente, de acordo com a configuração e as definições da impressora.
- > A opção [Rear Output Tray (Bandeja de saída posterior)] será exibida na coluna Output Device (Dispositivo de saída) mesmo quando a bandeja posterior não estiver instalada.
- > Relatórios/listas não podem ser colocados na bandeja de face para cima (posterior). Quando a bandeja de face para cima (posterior) estiver instalada, abaixe a alavanca de saída dessa bandeja.

### Configuração da impressora por meio de uma página da Web

Com o recurso de uma página da Web, é possível usar um navegador da Web em um ambiente habilitado por TCP/IP para exibir o status da impressora ou do trabalho de impressão e para alterar as configurações.

Entre as configurações da impressora, feitas no painel de controle, as configurações para as portas do sistema e da rede podem ser definidas em [Printer (Impressora)], [Network (Rede)] e [Maintenance (Manutenção)] na página da Web.

#### NOTA

- > O recurso da página da Web estará disponível somente quando a impressora estiver conectada à rede.
- > Consulte o Guia do Usuário de Rede se a página da Web não for exibida depois de executar as etapas 1 e 2 abaixo.
- > Também é possível usar o Telnet para definir a configuração da impressora. Para obter detalhes sobre as configurações, consulte o Guia de configuração NIC.

1. Inicie o computador e abra o navegador da Web.
2. Digite o endereço IP da impressora ou a URL na coluna de entrada de endereço no navegador da Web e pressione a tecla <Enter>.

### Utilização da ajuda online

Para obter detalhes sobre os itens que podem ser definidos em cada tela, clique no botão [Help (Ajuda)] para exibir a Ajuda online.

### Imprima uma página de teste

Depois de concluir o procedimento de instalação, verifique se a impressora está funcionando corretamente, imprimindo um documento de um aplicativo.

### Windows

#### Configuração de Rede

##### Imprima folhas de configuração

1. Ligue a impressora e aguarde até que a luz de status do servidor da impressora (2) pare de piscar.
2. Pressione o botão de Teste (3) no servidor da impressora para imprimir as folhas de configuração com as informações da rede. Guarde estas folhas para consulta: elas contêm informações necessárias para configurar a impressora na rede.

##### Insira o CD

1. Coloque o CD de instalação do software na unidade de CD-ROM. O CD será executado automaticamente.

*Se isto não acontecer, clique em Start (Iniciar) → Run (Executar) → Browse (Procurar).  
Selecione a unidade de CD-ROM.  
Clique duas vezes no arquivo  
Install.exe. Clique em OK.*

2. Selecione o idioma.
3. Aceite o contrato de licença.
4. A tela de Installer [Programa de Instalação] será exibida.

##### Instalação do driver

5. Clique em Install Driver [Instalação do driver].
6. Selecione Network Printer [Impressora de rede].
7. Siga as instruções exibidas na tela.
8. Quando solicitado, selecione Printer Emulation (Emulação da Impressora) [PS ou PCL].

Pode ser que seja necessário especificar o endereço IP da impressora. O endereço IP pode ser encontrado na Folha de Configuração.

### **Teste a instalação do driver da impressora**

Para confirmar se o driver da impressora está instalado corretamente, envie um trabalho de impressão de qualquer programa. Reinstale o driver se a impressão falhar.

### **Configuração com um navegador da Internet (opcional)**

Use o navegador para configurar o servidor de impressão e as configurações do menu da impressora em uma página da web embutida.

*Nota:* Para obter mais detalhes, consulte o Manual do Usuário de Rede contido no CD fornecido.

1. Lance o programa de navegação (Microsoft Explorer versão 4.0 ou superior, ou Netscape Navigator).
2. Digite o endereço IP da impressora. Encontrado nas folhas de configuração com as Informações da rede.

Clique em uma guia para exibir uma categoria específica.

### **Instalação dos utilitários e downloads**

*Nota:* Você deve estar conectado à Internet para fazer o download dos utilitários.

1. Selecione Optional Utilities (Utilitários opcionais) ou Internet Downloads (Downloads da Internet) na barra de menus do Programa de Instalação no CD.
2. Clique nos utilitários e downloads que deseja instalar e siga as instruções.

### **Ativação dos acessórios opcionais**

*Nota:* Se a impressora tiver uma segunda bandeja para papel opcional ou um disco rígido instalada, é necessário ativá-las no driver.

3. Clique em Start (Iniciar) → Settings (Configurações) → Printers (& Faxes) [Impressoras (e faxes)] na barra de tarefas do Windows.
4. Clique com o botão direito do mouse no ícone da impressora.
5. Clique em Propriedades.
6. Clique na guia Device Option (Opções do dispositivo).
7. Clique em Available Tray (Bandeja disponível) e selecione a bandeja de papel desejada no menu suspenso.

## **Windows conexão USB**

### **Instalação do driver**

*Nota:* Instale o driver primeiro antes de ligar o cabo USB ao impressora.

1. Desligue a impressora.
2. Coloque o CD de instalação do software na unidade de CD-ROM. O CD será executado automaticamente.

*Se isto não acontecer, clique em Start (Iniciar) → Run (Executar) → Browse (Procurar). Selecione a unidade de CD-ROM. Clique duas vezes no arquivo Install.exe. Clique em OK.*

3. Selecione o idioma.
4. Aceite o contrato de licença.
5. Clique em Install Driver [Instalação do driver].
6. Selecione Local printer [Impressora local]. Siga as instruções exibidas na tela.
7. Quando solicitado, selecione Printer Emulation (Emulação da Impressora) [PS ou PCL].
8. Quando solicitado, conecte o cabo USB e ligue a impressora.

### **Teste a instalação do driver da impressora**

Para confirmar se o driver da impressora está instalado corretamente, envie um trabalho de impressão de qualquer programa. Reinstale o driver se a impressão falhar.

### **Instalação dos utilitários e downloads**

*Nota:* Você deve estar conectado à Internet para fazer o download dos utilitários.

1. Selecione Optional Utilities (Utilitários opcionais) ou Internet Downloads (Downloads da Internet) na barra de menus do Programa de Instalação no CD.
2. Clique nos utilitários e downloads que deseja instalar e siga as instruções.

### **Ativação dos acessórios opcionais**

*Nota:* Se a impressora tiver uma segunda bandeja para papel opcional ou um disco rígido instalada, é necessário ativá-las no driver.

3. Clique em Start (Iniciar) → Settings (Configurações) → Printers (& Faxes) [Impressoras (e faxes)] na barra de tarefas do Windows.

4. Clique com o botão direito do mouse no ícone da impressora.
5. Clique em Propriedades.
6. Clique na guia Device Option (Opções do dispositivo).

*Clique na opção que você deseja ativar.  
Para a segunda bandeja, clique em  
Available Tray (Bandeja disponível) e  
selecione a bandeja de papel desejada  
no menu suspenso.*

---

## Macintosh

---

### Instale do driver da impressora

1. Ligue a impressora e, em seguida, ligue o computador.
2. Coloque o CD fornecido com a impressora na unidade de CD-ROM.
3. Clique duas vezes no ícone do CD exibido na área de trabalho.
4. Abra a pasta MAC (OSX ou OS9).
5. Clique duas vezes no ícone do Mac B6500 Installer [Programa de Instalação MAC B6500]  
O Programa de Instalação será exibido com o driver pré-selecionado.
6. Selecione os utilitários que deseja instalar. Clique em Install (Instalar).

### Adicione a impressora

1. Execute o Print Center [Centro de impressão] ou Print Setup Utility [Utilitário de configuração de impressão]. Clique em Add [Adicionar].
2. Clique em More Printers (Mais impressoras).
3. Selecione OKI USB, OKI TCP/IP, ou Rendezvous/Bonjour no menu suspenso.

*Nota: Se estiver usando USB, selecione USB e ignore as etapa 4.*

4. Digite o endereço IP da impressora.
5. Selecione o modelo da impressora a ser instalada. Clique em Add [Adicionar].
6. Saia do Print Center (Centro de Impressão).