



User's Guide



# PREFACE

Every effort has been made to ensure that the information in this document is complete, accurate, and up-to-date. Oki Printing Solutions assumes no responsibility for the results of errors beyond its control. Oki Printing Solutions also cannot guarantee that changes in software and equipment made by other manufacturers and referred to in this guide will not affect the applicability of the information in it. Mention of software products manufactured by other companies does not necessarily constitute endorsement by Oki Printing Solutions.

While all reasonable efforts have been made to make this document as accurate and helpful as possible, we make no warranty of any kind, expressed or implied, as to the accuracy or completeness of the information contained herein.

The most up-to-date drivers are available at:

**<http://www.okiexecutiveseries.com>**

Copyright © 2007 Oki Europe Ltd..

Oki, Oki Printing Solutions and Microline are registered trademarks of Oki Electric Industry Company, Ltd.

Energy Star is a trademark of the United States Environmental Protection Agency.

Microsoft, MS-DOS and Windows are registered trademarks of Microsoft Corporation.

Other product names and brand names are registered trademarks or trademarks of their proprietors.



As an Energy Star Program Participant, the manufacturer has determined that this product meets the Energy Star guidelines for energy efficiency.



This product complies with the requirements of the Council Directives 89/336/EEC (EMC), 2006/95/EC (LVD) and 1999/5/EC (R&TTE) as amended where applicable on the approximation of the laws of the member states relating to electromagnetic compatibility, low voltage and radio & telecommunications terminal equipment.

## EMERGENCY FIRST AID



**Take care with toner powder:**

**If swallowed, induce vomiting and seek medical attention. Never attempt to induce vomiting if person is unconscious.**

**If inhaled, move the person to an open area for fresh air. Seek medical attention.**

**If it gets into the eyes, flush with large amounts of water for at least 15 minutes keeping eyelids open. Seek medical attention.**

**Spillages should be treated with cold water and soap to help reduce risk of staining skin or clothing.**

## MANUFACTURER

Oki Data Corporation,  
4-11-22 Shibaura, Minato-ku,  
Tokyo 108-8551,  
Japan

## IMPORTER TO THE EU/AUTHORISED REPRESENTATIVE

Oki Europe Limited (trading as OKI Printing Solutions)

Central House  
Balfour Road  
Hounslow  
TW3 1HY  
United Kingdom

For all sales, support and general enquiries contact your local distributor.

# CONTENTS

<b>Preface</b> .....	<b>2</b>
<b>Emergency first aid</b> .....	<b>3</b>
<b>Manufacturer</b> .....	<b>3</b>
<b>Importer to the EU/authorised representative</b> .....	<b>3</b>
<b>Contents</b> .....	<b>4</b>
<b>Notes, cautions and warnings</b> .....	<b>9</b>
<b>Introduction</b> .....	<b>10</b>
About this guide .....	13
On-line usage .....	14
Printing pages .....	15
<b>MFP overview</b> .....	<b>16</b>
Front view .....	16
Rear view .....	17
The control panel .....	18
Copy and dialling area .....	18
LCD and function area .....	18
Start and other keys .....	19
Changing the display language .....	19
<b>Getting started</b> .....	<b>20</b>
Installing MFP drivers and utilities .....	20
Twain and printer drivers .....	20
MFP network setup tool .....	21
Paper recommendations .....	22
Cassette tray .....	23
Multi purpose tray .....	23
Face down stacker .....	24
Face up stacker .....	24
Duplex unit .....	24
<b>Loading paper</b> .....	<b>25</b>
Cassette tray .....	25
Multi purpose tray .....	28
<b>Configuring your machine.....</b> .....	<b>30</b>
Minimum configuration requirements .....	30
Pre-configuration information .....	30
General .....	30
Fax set up .....	30
Network set up .....	31
Internet communication features .....	34



Configuration . . . . .	35
....from the web page . . . . .	36
....From the management utility . . . . .	37
....from the scanner control panel . . . . .	38
Specifying the administrative settings. . . . .	44
Contents of each printer menu. . . . .	45
Explanation of filing protocols . . . . .	61
Setting the fax facility . . . . .	66
Initial set up . . . . .	66
Advanced set up . . . . .	67
<b>Print settings and security . . . . .</b>	<b>75</b>
PCL or postscript? . . . . .	75
Printing preferences in windows applications . . . . .	75
Postscript emulation . . . . .	76
PCL emulation . . . . .	77
Secure printing. . . . .	78
Sending the document . . . . .	78
Printing the document . . . . .	80
Deleting a secure print document. . . . .	81
Store to hard disk. . . . .	82
Sending the document . . . . .	83
Printing the document . . . . .	83
Deleting a stored document. . . . .	83
Encrypted secure printing . . . . .	84
Sending the document . . . . .	84
Printing the document . . . . .	86
<b>Operation . . . . .</b>	<b>87</b>
Loading document(s) for copying . . . . .	87
Placing document(s) in the ADF . . . . .	87
Placing document(s) on the glass . . . . .	89
Sending document(s) via e-mail. . . . .	89
Basic operation . . . . .	89
Advanced operation . . . . .	91
Sending document(s) to a file server . . . . .	93
Copying. . . . .	94
Basic operation . . . . .	94
Advanced operation . . . . .	94
Faxing. . . . .	101
Basic operation . . . . .	101
Advanced operation . . . . .	103
Cancel fax jobs . . . . .	108
Fax job reports . . . . .	109

Scanning . . . . .	110
Scanner operation . . . . .	110
A look at the user interface . . . . .	111
Using the basic features . . . . .	112
Other tools . . . . .	119
<b>Maintenance . . . . .</b>	<b>120</b>
Consumable order details . . . . .	121
Replacing consumable items . . . . .	122
Toner cartridge replacement . . . . .	122
Image drum replacement . . . . .	128
Transfer belt replacement . . . . .	133
Fuser replacement . . . . .	137
Cleaning . . . . .	141
...the ADF . . . . .	141
...the document glass . . . . .	142
...the LED head. . . . .	143
<b>Installing upgrades. . . . .</b>	<b>145</b>
Order codes . . . . .	145
Memory upgrade . . . . .	146
Hard disk drive. . . . .	149
Additional paper tray. . . . .	151
Storage cabinet . . . . .	151
Adjusting windows printer drivers. . . . .	152
PCL driver . . . . .	152
Postscript driver. . . . .	153
<b>Troubleshooting . . . . .</b>	<b>154</b>
Clearing paper jams . . . . .	154
In the ADF..... . . . .	154
In the printer..... . . . .	155
Fax problem checklist . . . . .	164
LCD message list . . . . .	167
Information and warning messages . . . . .	167
Error messages . . . . .	171
Error messages during Networking. . . . .	180
Error messages during E-mailing . . . . .	180
Error messages during Filing . . . . .	183
<b>A guide to printing . . . . .</b>	<b>186</b>
How to access the driver screens . . . . .	186
Changing the driver defaults . . . . .	187
Windows XP/2000/Server 2003 . . . . .	187
Changing the application's driver settings . . . . .	187

PCL saved driver settings . . . . .	187
Saving a set of driver settings . . . . .	187
Recalling saved driver settings . . . . .	188
Setting the driver device options . . . . .	188
Blacks and greys (black overprint) . . . . .	189
Black printing (black generation) . . . . .	190
Composite black . . . . .	190
True (pure) black . . . . .	190
Fine lines enhancement . . . . .	192
Greyscale printing . . . . .	192
Colour matching . . . . .	194
Basics . . . . .	194
What this guide describes . . . . .	195
Printer colour management . . . . .	196
About RGB and CMYK colour . . . . .	197
About the printer drivers . . . . .	197
Office colour . . . . .	198
Office colour - RGB options . . . . .	199
Customising RGB office colour with the colour correct utility . . . . .	200
Graphic pro . . . . .	200
Matching mfp colour to an RGB input device . . . . .	201
Printer simulation . . . . .	201
CMYK ink simulation . . . . .	201
More accurate mfp colour . . . . .	201
Types of ICC profile supported . . . . .	202
Graphic pro workflow – overview . . . . .	202
Step 1 - Gather or create the ICC profiles . . . . .	203
Step 2 - Down loading ICC profiles to the hard disk . . . . .	203
Step 3 - Select ICC profiles in the printer driver . . . . .	204
Matching the colour of a monitor, scanner or camera . . . . .	205
Simulating another printer - RGB source data . . . . .	207
CMYK ink simulations - CMYK source data . . . . .	210
Rendering intents . . . . .	212
Perceptual . . . . .	212
Saturation . . . . .	212
Relative colorimetric . . . . .	212
Absolute colorimetric . . . . .	213
Pure black text / graphics . . . . .	213
Colour match precision . . . . .	213

Printer driver settings for ICC profile creation or no colour matching . . . . .	.213
Finishing options . . . . .	.214
Booklet printing (imposition) . . . . .	.215
Collating . . . . .	.218
Colour separation. . . . .	.219
Separating queued print jobs. . . . .	.220
Cover print . . . . .	.221
Custom page size. . . . .	.222
Duplex (double-sided) printing. . . . .	.225
Printing multiple pages on one sheet (N-up) . . . .	.227
Poster printing . . . . .	.228
Scale to page. . . . .	.230
Watermarks. . . . .	.230
<b>Specifications . . . . .</b>	<b>233</b>
<b>Index. . . . .</b>	<b>239</b>

## NOTES, CAUTIONS AND WARNINGS

---

### *NOTE*

*A note provides additional information to supplement the main text.*

---

### **CAUTION!**

**A caution provides additional information which, if ignored, may result in equipment malfunction or damage.**

### **WARNING!**

**A warning provides additional information which, if ignored, may result in a risk of personal injury.**

For the protection of your product, and in order to ensure that you benefit from its full functionality, this model has been designed to operate only with genuine Oki Printing Solutions toner cartridges. These can be identified by the Oki Printing Solutions trademark. Any other toner cartridge may not operate at all, even if it is described as "compatible", and if it does work, your product's performance and print quality may be degraded.

Specifications subject to change without notice. All trademarks acknowledged.

# INTRODUCTION

Congratulations on choosing this Oki Printing Solutions Multi Function Product (MFP). It is designed with advanced features, to give you clear, vibrant colour prints and crisp black and white pages at high speed on a range of office print media.

With this MFP, you can instantly scan paper-based documents and deliver the electronic image to various destinations including e-mail addresses, printers, ftp servers or someone else's computer on the network. This MFP also has a "walk-up" fax facility allowing you to send your documents to a destination fax number instantly.

Your MFP includes these features:

- > ProQ2400 multi-level technology produces subtler tones and smoother gradations of colour to lend photographic quality to your documents.
- > Up to 20 pages per minute in full colour for fast printing of high impact colour presentations and other documents.  
Up to 10 copies per minute (at 300 dpi) in full colour for fast copying.
- > Up to 32 pages per minute in black and white for fast and efficient printing of all general purpose documents not requiring colour.  
Up to 16 copies per minute (at 300 dpi) in black and white for fast and efficient copying of all general purpose documents not requiring colour.
- > Automatic two-sided (duplex) printing for economical use of paper and compact printing of larger documents.
- > 1200 x 600dpi (dots per inch) and ProQ2400 print resolution for high quality image production showing the finest detail.
- > 600 x 600dpi (dots per inch) copy resolution.
- > Single Pass Colour Digital LED technology for high speed processing of your printed pages.
- > New Profile Assistant utility allows you to download ICC profiles to the hard disk (Hard Disk Drive required).

- > Photo Enhance mode to improve printouts of photographic images (Windows PCL driver only).
- > High speed USB 2.0 interface.
- > Template Manager 2006 utility for Windows enables the design and print of business cards, banners, labels with ease.
- > Scan to E-mail - Connected to an Ethernet network and a SMTP server, this MFP allows you to transmit document(s) over the internet via e-mail. With a touch of the e-mail key and the selection of your recipients' e-mail addresses, the document(s) is/are first scanned and converted into an image file, and then transmitted to remote recipients within minutes.
- > Scan to FTP - Allows you to send scanned documents to a server or a personal computer's file folder over an intranet with FTP (File Transfer Protocol), HTTP (Hypertext Transfer Protocol), CIFS (Common Internet File System) protocol. The scan to filing feature removes the need for the mail server to handle large attachments.
- > Digital Copying - An intuitive control panel, makes digital copying fast and easy.
- > Network/PC Printing - When connected to a network, the MFP is able to perform network or PC printing (available in "Scan-to Mode").
- > Multiple Pages Sending - With the Auto Document Feeder (ADF), the MFP allows a stack of up to 50 page document(s) to be continuously scanned.
- > Faxing - An intuitive control panel, makes direct faxing fast and easy.
- > Advanced fax transmission and reception, including delayed transmissions, sending to multiple locations, confidential transmission and reception, and polling.
- > Address Book/Phone Book/Profiles Managing - This provides a convenient way to manage all the e-mail addresses, fax numbers and profiles (filing destinations). Simply typing the machine's IP address in the URL field of your browser will prompt the MFP web page. This web page allows you to create up to 300 e-mail addresses, 200

fax numbers and several filing destinations to manage your document.

The following optional features are available:

- > Internal hard disk drive for storage of overlays, macros and downloadable fonts, and automatic collation of multiple copies of multi page documents.
- > Additional memory, to allow printing of more complex pages.
- > Additional paper tray for loading a further 530 sheets to minimise operator intervention, or different paper stocks for letterhead stationery, alternative paper sizes or other print media.
- > Storage cabinet.



## ABOUT THIS GUIDE

---

### *NOTE*

*Images used in this manual may include optional features that your MFP does not have installed.*

---

This manual is your user's guide for your MFP and forms part of the overall user support listed below:

- > **Installation Safety booklet:** to provide information for safe use of the MFP.

This is a paper document that is packaged with the MFP and should be read before setting up your MFP.

- > **Set-up guide:** to describe how to unpack, connect and turn on your MFP.

This is a paper document that is packaged with the MFP.

- > This **User's Guide:** to help you to become familiar with your MFP and make the best use of its many features. Also included are guidelines for troubleshooting and maintenance to ensure that it performs at its best. Additionally, information is provided for adding optional accessories as your printing needs evolve.

This is an electronic document stored on the manuals CD.

- > **Installation Guides:** accompany consumable items and optional accessories to describe how to install them.

These are paper documents that are packaged with the consumables and optional accessories.

- > **On-line Help:** on-line information accessible from the printer driver and utility software.

## **ON-LINE USAGE**

This guide is intended to be read on screen using an Adobe Reader. Use the navigation and viewing tools provided in Adobe Reader.

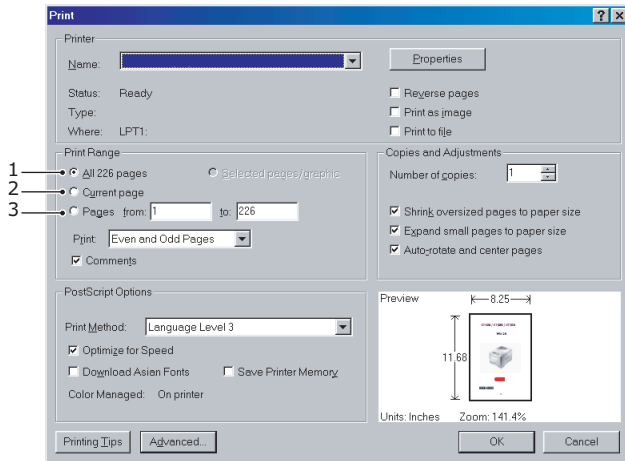
You can access specific information in two ways:

- > In the list of bookmarks down the left hand side of your screen, click on the topic of interest to jump to the required topic. (If the bookmarks are not available, use the ["Contents" on page 4.](#))
- > In the list of bookmarks, click on Index to jump to the Index. (If the bookmarks are not available, use the ["Contents" on page 4.](#)) Find the term of interest in the alphabetically arranged index and click on the associated page number to jump to the page containing the term.

## PRINTING PAGES

The whole manual, individual pages, or sections may be printed. The procedure is:

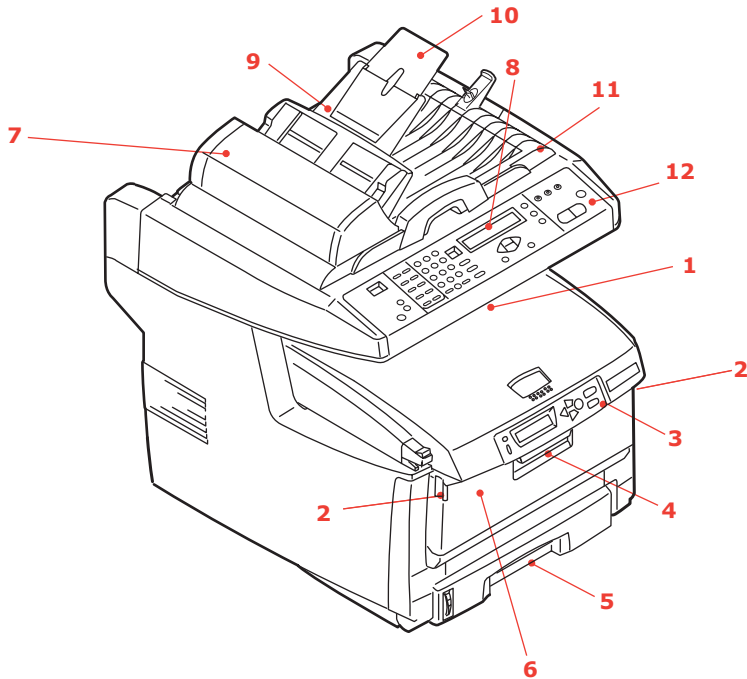
1. From the toolbar, select **File > Print** (or press the Ctrl + P keys).
2. Choose which pages you wish to print:
  - (a) [All pages], (1), for the entire manual.
  - (b) [Current page], (2), for the page at which you are looking.
  - (c) [Pages from] and [to], (3), for the range of pages you specify by entering their page numbers.



- (c) [Pages from] and [to], (3), for the range of pages you specify by entering their page numbers.
3. Click **OK**.

# MFP OVERVIEW

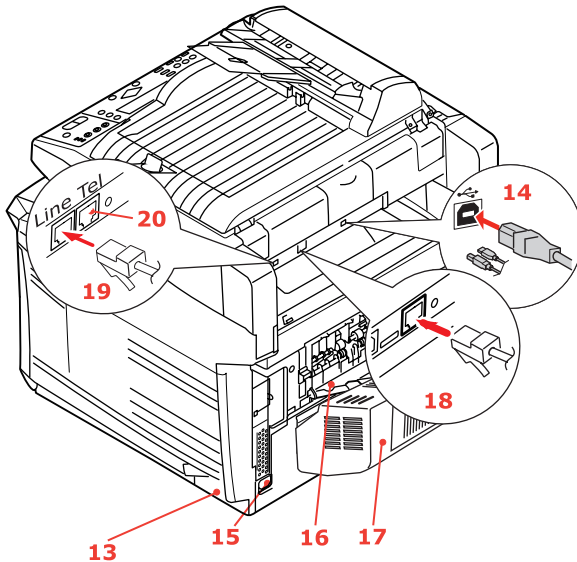
## FRONT VIEW



<p>1. Output stacker, face down. Standard printed copy delivery point. Holds up to 250 sheets at 80g/m<sup>2</sup>.</p> <p>2. Multi purpose tray release buttons (press).</p> <p>3. Operator Panel with LCD display. Status LEDs and operator buttons.</p> <p>4. Front Cover release (lift).</p> <p>5. Paper tray. Standard blank paper tray. Holds up to 300 sheets of 80g/m<sup>2</sup> paper.</p>	<p>6. Multi purpose feeder (shown closed). Used for feeding heavier paper stocks, envelopes and other special media. Also for manual feeding of single sheets when required.</p> <p>7. Automatic Document Feeder (ADF) Unit.</p> <p>8. LCD Display.</p> <p>9. ADF Paper Tray.</p> <p>10. ADF Paper Support.</p> <p>11. Document Cover.</p> <p>12. Control Panel.</p>
--	--

## REAR VIEW

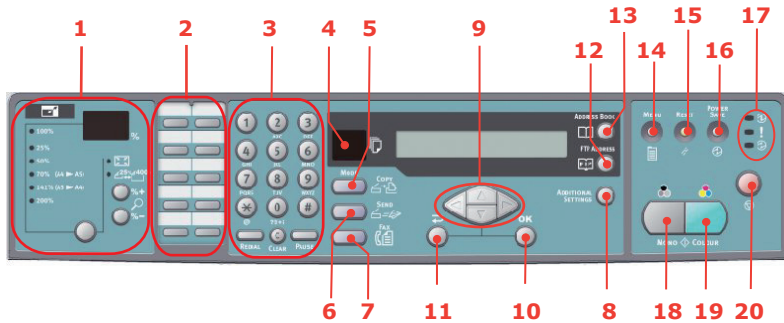
This view shows the connection panel and the rear output stacker.



<p>13. ON/OFF Power switch.</p> <p>14. USB interface.</p> <p>15. AC power socket.</p> <p>16. Rear, face up, 100 sheet stacker.</p> <p>17. Duplex unit.</p>	<p>18. Network Connector.</p> <p>19. Line connection. Socket for connecting the fax machine to the telephone line.</p> <p>20. Tel connection. Socket for connecting a telephone handset (if required).</p>
--	--

When the rear paper stacker is folded down, paper exits through the rear of the MFP and is stacked here face up. This is mainly used for heavy print media. When used in conjunction with the multi purpose feed tray, the paper path through the MFP is essentially straight. This avoids bending the paper around curves in the paper path and enables feeding of up to 203g/m<sup>2</sup> media.

## THE CONTROL PANEL

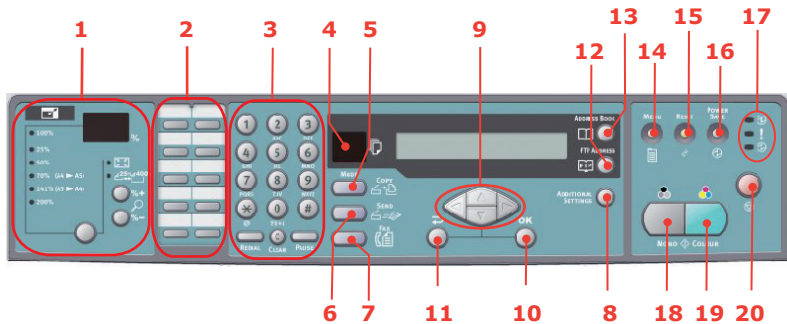


### COPY AND DIALLING AREA

1. Zoom                                      Used to increase or decrease scaling in 1% increments up to 400% and down to -25%.  
A further choice of scaling can be made from preset percentages.
2. One-touch keypad                      Provides one-touch dialling of your most often used or favourite fax numbers.
3. Keypad                                    **Alpha/numerical keys:** used to enter copy quantity, fax number or e-mail address.  
**Redial key:** used to manually resend a fax.  
**Clear key:** used to delete entry from the LCD panel.  
**Pause key:** used to insert a "-" within a fax number if dialling an extension.

### LCD AND FUNCTION AREA

4. Copy Count                                Indicates the number of copies selected.
5. Copy Mode                                Used to select Copy mode (also the default working mode).
6. Send Mode                                Used to select Send mode.
7. Fax Mode                                 Used to select Fax mode.
8. Additional Settings                      Used to execute additional settings of "Copy" and "Send" modes. (The settings are available only for three minutes. After three minutes, the settings will automatically return to the default value).
9. Up/Down/Left/Right Keys            Used to move the cursor in the LCD up/down/left/right. The up/down keys are used to switch function indication.
10. OK                                         Used to select and confirm current setting selections.
11. Return                                    Used to cancel selections and go back to the top level of the setting. The key is also used to cancel any previous input.



- |                  |  |
|------------------|--|
| 12. FTP Address  | Used to indicate the stored FTP address for the "Send" function. This key is only available in the "Send" mode.  |
| 13. Address book | Used to indicate the stored E-mail addresses for the Send function.<br><br>Also used to indicate the stored Fax numbers for the fax function. Press once to view speed dial numbers, press twice to view group dial numbers. |

## START AND OTHER KEYS

- |                |  |
|----------------|--|
| 14. Menu       | Select to access the menu to set up the MFP.   |
| 15. Reset      | Select to change the scanner to the factory default settings.  |
| 16. Power save | Press once to go to "sleep" mode (continuous press is invalid).  |
| 17. Power LEDs |  |
| Power          | Illuminates to indicate "power on and ready".  |
| Alarm          | Illuminates to indicate error condition.   |
| Sleep          | Illuminates to indicate power save mode.   |
| 18. Mono       | Select to send or copy document(s) in monochrome.  |
| 19. Colour     | Select to send or copy in colour.  |
| 20. Stop       | Select to stop all operation (LCD indication shifts to stand-by screen for each function). Does not effect settings. |

## CHANGING THE DISPLAY LANGUAGE

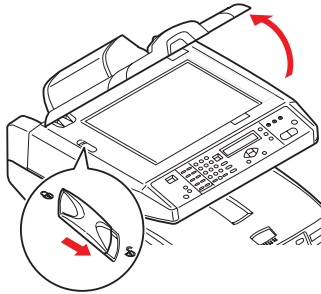
The default language used by your MFP for display messages and for report printing is English. If required, this can be changed using the MFP Network Setup Tool or web page, refer to ["Configuration" on page 35](#).

# GETTING STARTED

## CAUTION!

**Make sure the scanner is in the UNLOCKED position before operating.**

1. Open the document cover.
2. Move scan lock lever to UNLOCKED position.



## INSTALLING MFP DRIVERS AND UTILITIES

### TWAIN AND PRINTER DRIVERS

## CAUTION!

**To ensure the scan function works properly, install the TWAIN driver FIRST then the printer driver.**

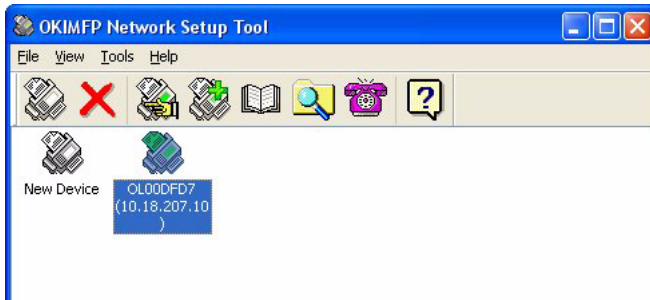
1. Start Microsoft Windows.
2. Insert the CD-ROM supplied into your CD ROM drive.
3. The CD-ROM will auto launch on most systems. However, if your system does not support auto launching CD-ROMs, press the Start button, choose RUN, type d:\setup.exe (d: the CD-ROM drive in use), and then click **OK**.
4. Follow the on-screen instructions to complete the driver installation.



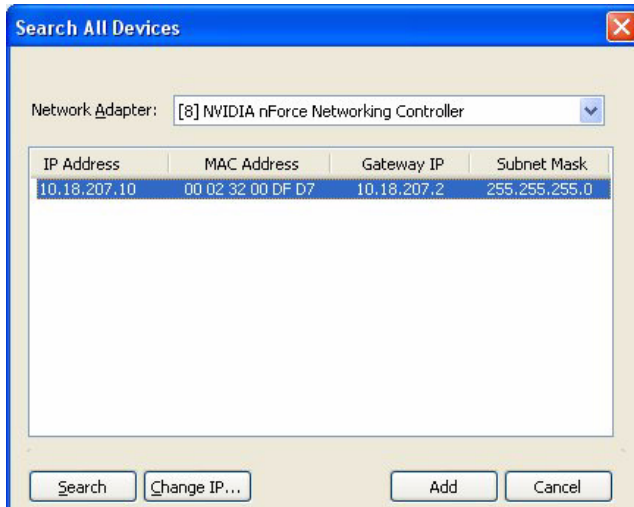
## MFP NETWORK SETUP TOOL

The MFP network setup utility can be found on the Networking/Utilities CD in the Utilities folder. Follow the on-screen instructions to complete the setup tool installation.

The MFP network setup tool can discover ES2032MFP devices over network connections.



1. To search and install, select **File > Search All Devices...**
2. Click **Search**.



3. Highlight the required search result and click **Add**.

The MFP network setup tool allows you to configure your MFP. Refer to ["Pre-configuration information" on page 30](#) for detailed instructions.

## PAPER RECOMMENDATIONS

Your MFP will handle a variety of print media, including a range of paper weights and sizes, transparencies and envelopes. This section provides general advice on choice of media, and explains how to use each type.

The best performance will be obtained when using standard 75~90g/m<sup>2</sup> paper designed for use in copiers and laser printers. A suitable type is Colour Copy by Neusiedler.

Use of heavily embossed or very rough textured paper is not recommended.

Pre-printed stationery can be used, but the ink must not offset when exposed to the high fuser temperatures used in the printing process.

Envelopes should be free from twist, curl or other deformations. They should also be of the rectangular flap type, with glue that remains intact when subjected to hot roll pressure fusing used in this type of MFP. Window envelopes are not suitable.

Transparencies should be of the type designed for use in copiers and laser printers. We strongly recommend Oki transparencies (Order No. 01074101). In particular, avoid office transparencies designed for use by hand with marker pens. These will melt in the fuser and cause damage.

Labels should also be of the type recommended for use in copiers and laser printers, in which the base carrier page is entirely covered by labels. Other types of label stock may damage the printer due to the labels peeling off during the printing process. A suitable type is Avery White Laser Label types 7162, 7664, 7666 (A4), or 5161 (Letter).

Business cards recommended are produced by Oki (Order No. 09002985).

## CASSETTE TRAY

The cassette tray can handle paper weights of 64g/m<sup>2</sup> to 120g/m<sup>2</sup>. The cassette tray is ideal for printing A4 documents of more than 1 page in length.

SIZE	DIMENSIONS	WEIGHT (G/M <sup>2</sup> )
A6	105 x 148mm	Light64-74g/m <sup>2</sup> Medium75-104g/m <sup>2</sup> Heavy 105-120g/m <sup>2</sup>
A5	148 x 210mm	
B5	182 x 257mm	
Executive	184.2 x 266.7mm	
A4	210 x 297mm	
Letter	215.9 x 279.4mm	
Legal 13in.	216 x 330mm	
Legal 13.5in.	216 x 343mm	
Legal 14in.	216 x 356mm	

If you have identical paper stock loaded in the multi purpose tray, you can have the MFP automatically switch to the other tray when the current tray runs out of paper. When printing from Windows applications, this function is enabled in the driver settings. When printing from other systems, this function is enabled in the Print Menu.

## MULTI PURPOSE TRAY

The multi purpose tray can handle the same media sizes as the cassette trays but in weights of 75g/m<sup>2</sup> to 203g/m<sup>2</sup>. For very heavy paper stock, use the face up (rear) paper stacker. This ensures that the paper path through the MFP is almost straight.

The multi purpose tray can feed paper widths as small as 105mm and lengths up to 1200mm (banner printing).

For paper lengths exceeding 356mm (Legal 14in.) use paper stock between 90g/m<sup>2</sup> and 128g/m<sup>2</sup> and the face up (rear) paper stacker.

Use the multi purpose tray for printing on envelopes and transparencies. Up to 50 sheets of transparencies or 10

envelopes can be loaded at one time, subject to a maximum stacking depth of 10mm.

Watermarked or headed paper should be loaded print side up and top edge into the MFP.

## **FACE DOWN STACKER**

The face down stacker on the top of the MFP can hold up to 250 sheets of 80g/m<sup>2</sup> standard paper and can handle paper stocks up to 120g/m<sup>2</sup>. Pages printed in reading order (page 1 first) will be sorted in reading order (last page on top, facing down).

## **FACE UP STACKER**

The face up stacker at the rear of the MFP should be opened and the tray extension pulled out when required for use. In this condition paper will exit via this path, regardless of driver settings.

The face up stacker can hold up to 100 sheets of 80g/m<sup>2</sup> standard paper, and can handle stocks up to 203g/m<sup>2</sup>.

Always use this stacker and the multi purpose feeder for paper stocks heavier than 120g/m<sup>2</sup>.

## **DUPLEX UNIT**

The duplex unit adds the function of two-sided printing, using less paper and making large documents easier to handle. It also enables booklet printing, which uses even less paper and makes large documents even easier to handle.

---

### *NOTE*

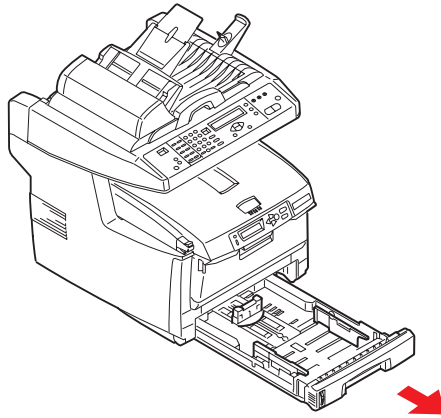
*Check that the duplex unit is enabled in the printer driver. See ["Adjusting windows printer drivers" on page 152.](#)*

---

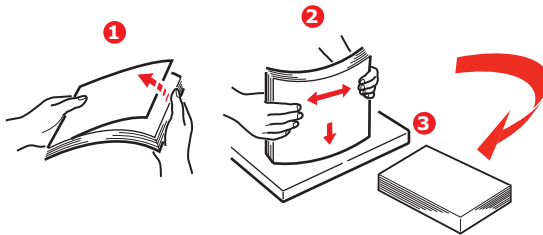
# LOADING PAPER

## CASSETTE TRAY

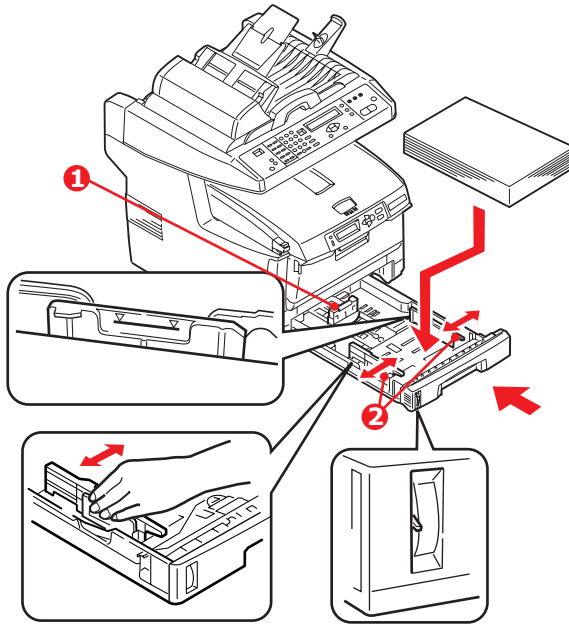
1. Remove the paper tray from the MFP.



2. Fan the paper to be loaded at the edges (1) and in the middle (2) to ensure that all sheets are properly separated, then tap the edges of the stack on a flat surface to make it flush again (3).



3. Load the paper (for letter headed paper load face down with top edge towards the front of the MFP).



4. Adjust the rear stopper (1) and paper guides (2) to the size of paper being used.

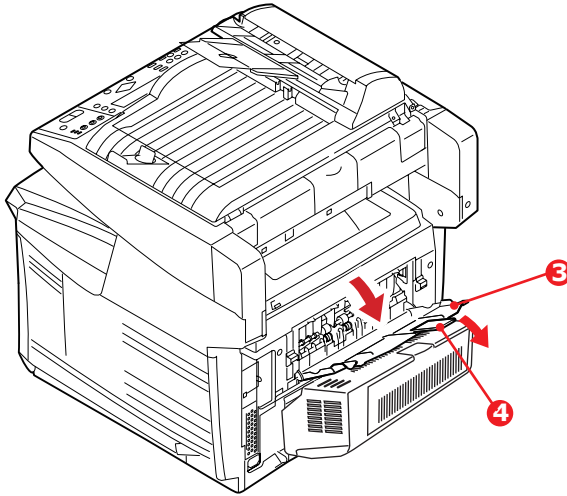
To prevent paper jams:

- > Do not leave space between the paper and the guides and rear stopper.
- > Do not overfill the paper tray. Capacity depends on the type of paper stock.
- > Do not load damaged paper.
- > Do not load paper of different sizes or types at the same time.
- > Do not pull the paper tray out during printing.
- > Close the paper tray gently.

5. For face down printing, make sure the face up (rear) stacker (3) is closed (the paper exits from the top of the

MFP). Stacking capacity is approximately 250 sheets, depending on paper weight.

6. For face up printing, make sure the face up (rear) stacker (3) is open and the paper support (4) is extended. Paper is stacked in reverse order and tray capacity is approximately 100 sheets, depending on paper weight.
7. Always use the face up (rear) stacker for heavy paper (card stock, etc.).

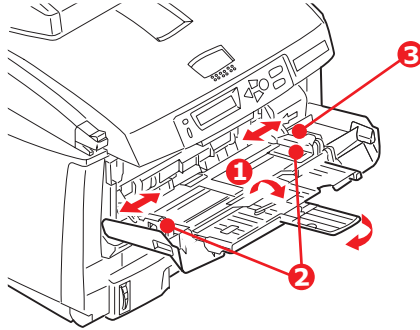


## CAUTION!

**Do not open or close the rear paper exit while printing as it may result in a paper jam.**

## MULTI PURPOSE TRAY

1. Open the multi purpose tray and press gently down on the paper platform (1) to ensure it is latched down.



2. Load the paper and adjust the paper guides (2) to the size of paper being used.
  - > When printing on headed paper load the paper into the multi purpose tray with pre-printed side up and top edge into the MFP.
  - > Envelopes should be loaded face up with top edge to the left and short edge into the MFP.
  - > Do not exceed the paper capacity of about 50 sheets or 10 envelopes. Maximum stacking depth is 10mm.
3. Press the tray latch button (3) inwards to release the paper platform, so that the paper is lifted and gripped in place.

---

### NOTE

*Before closing the multi purpose tray, paper platform (1) must be latched down.*

---

4. Set the correct paper size for the multi purpose tray in either the Media Menu (printer menu settings) or Print



Menu (scanner menu settings). See ["Configuration" on page 35](#) for details.

---

*NOTE*

*You only need to update one menu; the scanner and printer menus automatically synchronise to ensure the information is consistent.*

---

# CONFIGURING YOUR MACHINE....

## MINIMUM CONFIGURATION REQUIREMENTS

To make the best of this MFP, the following configuration is required:

### To send faxes:

A PSTN telephone line connection.

### To send e-mails:

- > TCP/IP network.
- > A SMTP and an optional POP3 server.

### To file document(s) via intranet

- > FTP, HTTP, or CIFS Protocol environment.
- > Windows 2000, Windows XP, HTTP or FTP server.

## PRE-CONFIGURATION INFORMATION

### GENERAL

There are no factory default PIN or passwords, these should be set initially by the system administrator.

### FAX SET UP

Your MFP has to be set up properly to allow faxing from the machine. The following parameters **must** be set before using the fax function:

- > Date and time
- > Country code
- > Station ID and number

[See "Initial set up" on page 66](#) for details.

## NETWORK SET UP

The MFP must also be set up properly on your network to perform scan to e-mail and scan to FTP functions. In order for other network devices to find the MFP on the network, the following network parameters have to be set.

1. DHCP enable:
2. IP Address: . . . .
3. Subnet mask:. . . .
4. Gateway IP:. . . .
5. DNS server:. . . .
6. SMTP server:. . . .
7. SMTP port:25
8. POP3 server: . . . .
9. POP3 Port:110

### Explanation:

1. DHCP Enable:  
Choose Yes to obtain IP/subnet/gateway addresses automatically from DHCP server. After changing setting from Disable to Enable, switch scanner module power OFF then ON.
2. IP Address:  
The Internet Protocol (IP) address assigned to your machine by your network administrator.
3. Subnet Mask:  
The net mask address assigned by your network administrator.
4. Gateway IP:  
The gateway IP address assigned by your network administrator.

**5.** SMTP Server:

The IP address of your SMTP Mail Server assigned by your network administrator.

**6.** SMTP Port:

The port number of your SMTP Mail Server.

**7.** DNS server:

The IP address of DNS Server assigned by your network administrator.

**8.** POP3 Server:

The IP address of your POP3 server.

**9.** POP3 Port

The port number of your POP3 Server.

Enter the DNS name, or IP and port number of your POP3 server if your mail server requires POP3 authentication, before sending e-mails from the machine.

---

*NOTE*

*You must also set up the "Define from" details to allow e-mail sending.*

---

---

**NOTE**

- 1.** *DHCP server: With DHCP (Dynamic Host Configuration Protocol), a host can automatically be given a unique IP address each time it connects to a network-making IP address management an easier task for network administrators. If the DHCP server is available from your network, you do not need to enter TCP/IP, subnet mask, gateway, and DNS information. Instead, this information will be automatically given for the MFP.*
  - 2.** *IP Address: An IP (Internet Protocol) address uniquely identifies a host connection to an IP network. System administrator or network designer assigns the IP address. The IP address consists of two parts, one identifying the network and the one identifying your node. The IP address is usually written as four numbers separated by periods. Each number can be zero to 255. For example, 10.1.30.186 could be an IP address.*
  - 3.** *SMTP: (Simple Mail Transfer Protocol) is the main communication protocol used to send and receive e-mail on the Internet.*
  - 4.** *DNS: (Domain Name System). The DNS server identifies hosts via names instead of IP addresses. If the DNS server is available on your network, you can enter the domain name instead of digits for your SMTP or POP3 servers, such as Pegasus.com.tw instead of 120.3.2.23.*
  - 5.** *POP3: POP3 is the latest Post Office Protocol 3, this is a service that stores and serves e-mails for various client machines that are not connected to the Internet 24 hours a day. E-mails are held in POP3 until you log on.*
-

## **INTERNET COMMUNICATION FEATURES**

### **Scan to e-mail**

The MFP allows you to deliver your scanned document to e-mail addresses on the network. The document is first scanned and converted to a standard PDF, JPEG, TIFF, or MTIF (Multi-page TIFF) file format and then transmitted to remote recipients simultaneously as an e-mail attachment.

When you send an e-mail to someone using this MFP it uses Simple Mail Transfer Protocol (SMTP) to transfer your outgoing e-mails to your SMTP mail server, and then send these e-mails to your recipients through the internet.

### **Scan to FTP**

Via the intranet with FTP (File Transfer Protocol), HTTP (Hypertext Transfer Protocol), or CIFS (Common Internet File System). The MFP allows you to save scanned documents directly to a designated server or a personal computer on the network in a standard PDF, JPEG, TIFF, or MTIFF file format.

CIFS is the sharing system of Microsoft Windows. What is unique about this filing function is that it allows all corporate users to share one machine to send documents to each file folder on a designated server or individual computer.

The following settings or destinations must be defined by the system administrator before the MFP can be used to distribute any scanned document(s) on the network.

- > **Network and E-mail parameters:** Defines the parameters for TCP/IP, SMTP, and POP3 protocols to send your scanned document to e-mail addresses.
- > **Filing destinations:** Defines the protocols and destinations to send your scanned document to FTP servers, web, or any personal computers on the network.

For more information on filing protocols refer to ["Explanation of filing protocols"](#) on page 61.

---

*NOTE*

- 1. If the system administrator has chosen DHCP, then the IP address of TCP/IP, gateway, subnet mask, and DNS server will be automatically given.*
  - 2. When installing the MFP for the first time, it is recommended that the Administrator retain the default system settings. The settings can be customized at a later date, once you are familiar with the operation and functionality.*
- 

## **CONFIGURATION**

There are a number of configuration options available which allow you to change the scanner, fax and printer settings to suit your own needs. There are three methods of configuring your MFP:

- 1.** From the MFP's web page.
  - 2.** From the MFP's Management Utility (please refer to the user's manual of the Network Setup Tool on the CD-ROM supplied).
- 

*NOTE*

*In order to maintain data integrity and ensure the MFP configuration is consistent, when you access a menu item via the MFP Network Setup Tool you are directed to the corresponding section of the MFP web page.*

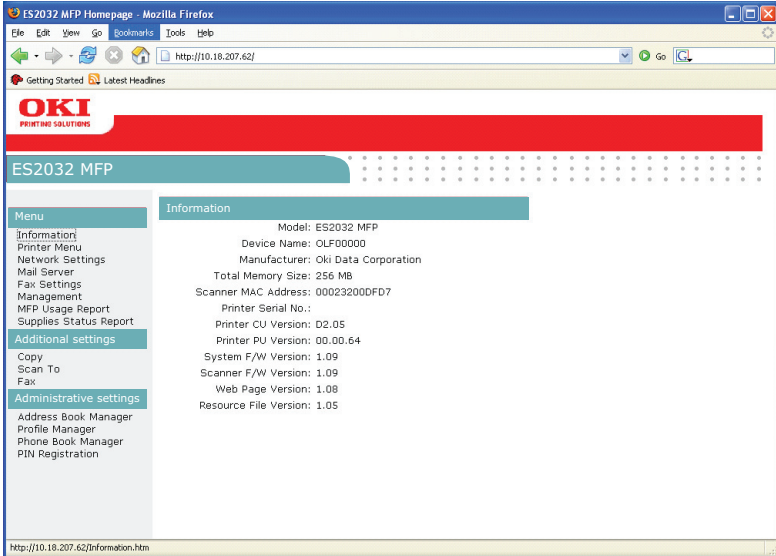
---

- 3.** From the MFP scanner control panel.

For illustration purposes only, the configuration menu options shown are as accessed via the scanner control panel.

## ....FROM THE WEB PAGE

Type the IP address of the MFP in the URL field of your browser and then press **Enter**. The MFP web page appears. For example: <http://10.18.207.62>



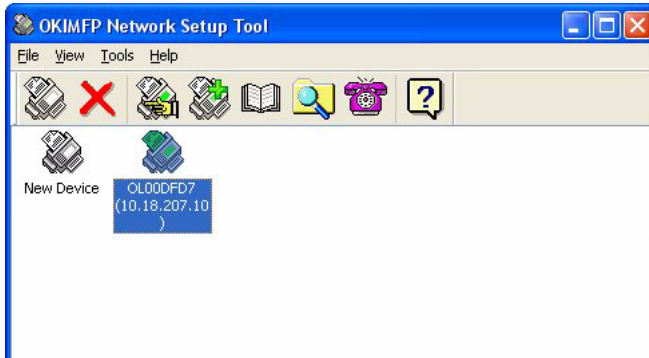
### NOTE

*The Administrative Settings are blocked by a password. It is recommended that the system administrator creates a new one since the machine is shipped without a specific password.*



## ....FROM THE MANAGEMENT UTILITY

If you have not already done so, install the MFP Network Setup Tool as described in "MFP network setup tool" on page 21.



---

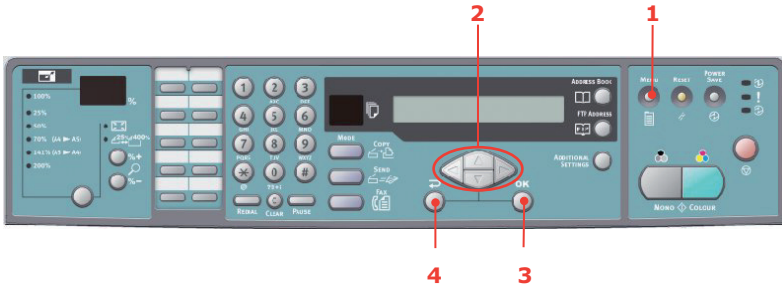
### *NOTE*

*The Administrative Settings are blocked by a password. It is recommended that the system administrator creates a new one since the machine is shipped without a specific password.*

---

## ....FROM THE SCANNER CONTROL PANEL

Press **Menu** (1) on the scanner control panel. Use the **UP** and **DOWN** arrow keys (2) to navigate, **OK** (3) to select, and **Return** (4) to cancel the selection or exit the menu item.



## Information

ITEM	DESCRIPTION OR CHOICE
Model	Displays the model name.
Device name	Displays the device name.
Scanner MAC address	Displays the scanner MAC address.
Printer Serial No.	Displays serial number.
F/W version	Displays firmware versions: 1.Printer CU version 2.Printer PU version 3.System F/W version 4.Scanner F/W version 5.Web page version 6.Resource file version

## Printer menu

ITEM	DESCRIPTION OR CHOICE
Tray 1 Paper Size	<b>A4</b> , A5, A6, B5, Legal, Legal 135, Legal 13, Letter, Executive, Custom.
Tray 2 Paper Size	<b>A4</b> , A5, B5, Legal, Legal 135, Legal 13, Letter, Executive, Custom.
MP Paper Size	<b>A4</b> , A5, A6, B5, Legal, Legal 135, Legal 13, Letter, Executive, Custom, COM9, COM10, Monarch, DL, C5.
Tray 1 Media Weight	Light, <b>Medium</b> , Heavy.
Tray 2 Media Weight	Light, <b>Medium</b> , Heavy.
MP Media Weight	<b>Medium</b> , Heavy, Ultra Heavy.
Tray 1 Media Type	<b>Plain</b> , LTRhead, Bond, Recycled, Rough.
Tray 2 Media Type	<b>Plain</b> , LTRhead, Transparency, Bond, Recycled, CardStock, Rough.
MP Media Type	<b>Plain</b> , Letterhead, Transparency, Labels, Bond, Recycled, CardStock, Rough.
Density Control	<b>Auto</b> /Manual.
Adjust Density*	Select to perform Density Adjustment.
Adjust Registration*	Select to perform Auto Colour Registration.

\* Menu options only available on the scanner control panel.

## Network settings

ITEM	DESCRIPTION OR CHOICE
IP Address	The IP address of the MFP.
Subnet Mask	The IP address of your subnet mask.
Gateway IP	The IP address of your gateway.
DNS Server	The IP address of your DNS server.
DHCP Enable	ON/ <b>OFF</b> . Select ON if you wish to enable DHCP.
Device Name	Displays the device name.

## Mail server

ITEM	DESCRIPTION OR CHOICE
SMTP Server	The IP address of your SMTP server.
SMTP Port	The port number of your SMPT server.
POP3 Server	The IP address of your POP3 server.
POP3 Port	The port number of your POP3 server.
Authentication Method	<b>No</b> , SMTP, POP3.
Login Name	User's choice.
Password	User's choice.
Def. Subject	Default text for the Subject field in e-mail messages from the MFP. Up to 64 characters are allowed. The default subject is used only when users did not enter anything in the Subject field in e-mail message from the MFP.
Def. From	Default From field in e-mail and fax messages from the MFP. Up to 64 characters are allowed.
Scan Size Limit	The limitation for the attachment to be sent from the MFP. Choice: 1MB, 3MB, 5MB, 10MB, 30MB, <b>No limit</b> .

## Fax settings

ITEM	DESCRIPTION OR CHOICE
Phone Book	Edit speed dial! Edit group dial! Delete speed dial! Delete group dial! Delete All! Append phone #: <b>OFF</b> /On
<b>REPORTS:</b> Activity Report Transmission Report Transmission Report Broadcast Report	Select to print activity report. Select to print transmission report. <b>Yes</b> / Error Only / No. Select to print broadcast report.
Cancel Fax Jobs	Select to cancel fax jobs stored in the MFP's memory.
<b>SET UP FAX:</b> Station ID Fit to page Detect dial tone* Detect busy tone* Re-dial* Redial interval* Ring response Dial prefix Manual receive ECM mode Speaker volume	Id #: Enter MFP ID number. Station #: Enter MFP telephone number. <b>Enable</b> / Disable. Enable / <b>Disable</b> . <b>Enable</b> / Disable. <b>0</b> , 1, 2, 3, 4, 5, 6, 7, 8, 9, 10. 0, <b>1min</b> , 2min, 3min, 4min, 5min, 6min. <b>1 ring</b> , 5secs, 10secs, 15secs, 20secs. If connecting via a PBX line, enter the access number to obtain an external line. Enable / <b>Disable</b> . <b>Enable</b> / Disable. <b>0</b> , 1, 2, 3.

\* Country code dependant.

## Report print

ITEM	DESCRIPTION OR CHOICE
Menu Map	Select to print menu map.
Printer Demo Page	Select to print a sample page.
MFP Usage report	Select to print usage information.
Supplies Status Report	Select to print information on the consumables remaining.

## Management

---

### NOTE

- 1. The Management selection is blocked by a password. Since the machine is shipped without a specific password, it is recommended that the administrator create a new password to ensure security.*
- 2. Security settings by default are set to "Off". You can enable the following security settings:*
  - > **Copy:** restricts the use of the copy function only.*
  - > **Copy+Scan to:** restricts the use of the copy and scan functions.*
  - > **Fax:** restricts the use of the fax function only.*
  - > **Fax+Copy:** restricts the use of the fax and copy functions.*
  - > **Fax+Copy+Scan to:** restricts the use of the fax, copy and scan functions.*

*It is recommended that the administrator create a new 4 to 6 digit PIN. When the security feature is enabled the user will be prompted to enter the PIN.*

---

ITEM	DESCRIPTION OR CHOICE
Date/Time	Enter the current date and time.
Password	Enter new password if the administrator wishes to change the password. (Up to 8 alphabetical or numerical digits are allowed to be entered in this field. When entering alphabetical digits, note that they are case-sensitive.)

ITEM	DESCRIPTION OR CHOICE
Add "To" Address	<p>If "On" is selected, when finishing sending an e-mail, there will be a dialogue box inquiring whether the user wishes to add the new e-mail address to the machine's address book.</p> <p>Choice: <b>On</b>, Off.</p>
Pin Setting	<p>Choice: <b>Off</b>, Copy, Copy + Scan to, Fax, Fax+Copy, Fax+Copy+Scan to.</p> <p>Note: The PIN ID input screen is indicated at the time of "PIN Setting=Enable".</p> <p>Enter four to six digits for your pin ID. A PIN ID under four digits will be denied.</p>
Power Save	<b>Enable</b> / Disable.
Power Save Time	<p>Select to enter power saving mode after the machine has stopped using for a specific period.</p> <p>Choice: 5, 15, 30, <b>60</b>, 240 minutes.</p>
Default Mode	Scan to, <b>Copy</b> , Fax.
Stand-by Timer	20, 40, <b>60</b> , 120, 180 seconds.
Country Code*	<p>Select the country in which the MFP is situated.</p> <p>Choice: Japan/<b>International</b>/Denmark/Austria/Italian/Latin America/Great Britain/Germany/Belgium/Greece/Mexico/Ireland/Hungary/Holland/Australia/China/Norway/Czech Republic/France/New Zealand/Russia/Sweden/Poland/Portugal/Singapore/Taiwan.</p>
Language	<p>Default set to English.</p> <p>Language setting can be changed from the web page and MFP Network Setup Tool.</p>
Scan to Log Report	Select to print all the "Scan to" jobs.

\* Additional country code options available from the web page and MFP Network Setup Tool.

## SPECIFYING THE ADMINISTRATIVE SETTINGS

---

### NOTE

The settings can **only** be done through the web page or the Network Setup Tool. It can not be set up on the Control Panel.

The Administrative settings are blocked by a password. Since the machine is shipped without a specific password, it is recommended that the administrator create a new password to ensure security.

---

ITEM	DESCRIPTION OR CHOICE
Address Book Manager	Set up a list of e-mail addresses and groups to which to send your scanned images.
Profile Manager	Create profiles of the filing destinations in which the scanned image can be placed.
Phone Book Manager	Set up a list of fax numbers and groups to which to send your fax messages. <b>Note:</b> Phone Book Manager can also be accessed from the scanner control panel.
PIN registration	Create and delete PIN registrations assigning access rights for users.



## CONTENTS OF EACH PRINTER MENU

The printer control panel offers some additional menu options.

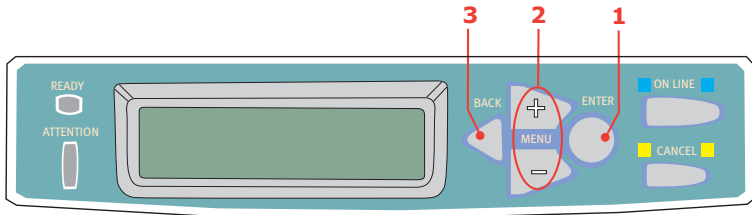
---

### NOTE

*The scanner retrieves the latest information from the printer, ensuring both menu sets are always synchronised.*

---

Press **Enter** (1) on the printer control panel. Use the **+** and **-** keys (2) to navigate, **Enter** (1) to select, and **Back** (3) to cancel the selection or exit the menu item.



### Information menu

ITEM	ACTION	DESCRIPTION
Print Menu Map	Execute	Prints complete menu listing with current MFP settings shown.
Print File List	Execute	Prints a list of overlays, macros, fonts and other files stored on the MFP's hard disk drive (if installed).
Print PCL Font	Execute	Prints complete list of all internal PCL fonts plus those stored in ROM (slot 0), flash memory and in hard disk (if installed).
Print PSE Font	Execute	Prints complete list of all internal PostScript emulation fonts.
Print PPR Font	Execute	Prints complete list of all internal IBM ProPrinter III XL emulation fonts, including any downloaded to flash memory or hard disk.
Print FX Font	Execute	Prints complete list of all internal Epson FX emulation fonts, including any downloaded to flash memory or hard disk.

ITEM	ACTION	DESCRIPTION
Demo 1	Execute	Prints demonstration page containing graphics and text in colour and monochrome.
Print Error Log	Execute	Prints a list of errors encountered by the MFP.
Color Prof List	Execute	Prints a list of the resident colour profiles.

### Shutdown menu

This menu only appears if the hard disk drive is installed.

---

*NOTE*

*This item should always be selected before switching the printer off, to ensure that no hard disk data is lost.*

---

ITEM	ACTION	DESCRIPTION
Shutdown Start	Execute	Performs controlled shutdown of the MFP, ensuring that all files on the internal hard disk are closed before power is turned off. Only power the MFP off when the display indicates that shutdown is complete.

## Print menu

ITEM	CHOICE	DESCRIPTION
Copies	<b>1-999</b>	Enter the number of copies of a document to be printed from 1 to 999.
Duplex	ON/OFF	Turns the duplex (2-sided) printing function on or off if this feature is installed.
Paper Feed	<b>TRAY1</b> TRAY 2 MP TRAY	Selects the default tray for paper feed, Tray 1 (upper), Tray 2 (lower, if installed) or MP Tray (multi purpose tray).
Auto Tray Switch	<b>ON/OFF</b>	If two trays contain identical paper, the MFP can switch to an alternative source when the current tray runs out in the middle of a print job.
Tray Sequence	<b>DOWN</b> UP PAPER FEED TRAY	Determines tray sequence order when automatically switching.
MP Tray Usage	<b>DO NOT USE</b> WHEN MISMATCH	If a document to be printed demands a paper size not installed in the selected tray, the MFP can automatically feed from the multi purpose tray instead. If this function is not enabled, the MFP will stop and request the correct size of paper to be loaded.
Media Check	<b>ENABLE</b> DISABLE	Determines whether the MFP check the size of paper loaded matches that required for the document sent to print.
Resolution	<b>600x1200DPI</b> 600DPI M- Level 600DPI	Sets the default resolution for printing (dots per inch). 600x1200DPI uses more memory and requires more time to process, but prints at a higher quality.
Toner Save Mode	<b>OFF/ON</b>	Reduces the amount of toner used for imaging. Toner saving gives lighter prints but is more economical.

ITEM	CHOICE	DESCRIPTION
Mono-Print Speed	<p><b>AUTO SPEED</b></p> <p>MONO 32PPM</p> <p>COLOR SPEED</p> <p>MIXED SPEED</p>	<p>If the first page of a print job is black and white, the MFP runs at 32ppm (pages per minute). When a colour page is detected the MFP slows down to 20ppm for the rest of that job.</p> <p>This setting operates in the same way as AUTO SPEED, except that the MFP runs at 32ppm until a colour page is detected. To achieve this speed the MFP requires an additional 10 – 20 seconds to warm up and 30 –60 seconds to cool down when switching to 20ppm for colour pages. This setting is therefore most appropriate when the majority of print jobs are entirely black and white.</p> <p>The MFP runs at 20ppm for all print jobs. This setting is most appropriate when the majority of print jobs are in colour.</p> <p>The MFP automatically switches between 20ppm for each colour page and 32ppm for each black and white page. When black and white pages are printed, the 3 colour drums are automatically lifted to maximize their working life. This operation imposes delay each time the MFP switches between colour and black and white printing. However, the 30 –60 second cool down delay described for MONO 32ppm is avoided by limiting mono speed to 20ppm. This setting may be preferred for mostly black and white printing with some colour pages, or where most print jobs are entirely colour or entirely black and white.</p>
Orientation	<p><b>PORTRAIT</b></p> <p>LANDSCAPE</p>	<p>Selects default page orientation between portrait (tall) and landscape (wide).</p>
Lines Per Page	<p>5-<b>64</b>-128</p>	<p>Sets the number of lines of text per page when raw text is received from systems other than Windows. The default for A4 portrait is 65, and for Letter is 60.</p>

ITEM	CHOICE	DESCRIPTION
Edit Size	<b>CASSETTE SIZE</b> LETTER EXECUTIVE LEGAL14 LEGAL13.5 LEGAL13 A4 / A5 / A6 / B5 CUSTOM COM-9 ENVELOPE COM-10 ENVELOPE MONARCH ENV DL ENVELOPE C5 ENVELOPE	Sets the size of the printable page area to match the size of paper in use. This is not the same as the physical paper size, which is always slightly larger. For dimensions of physical page sizes. See <a href="#">"Paper recommendations" on page 22.</a>

### Media menu

ITEM	CHOICE	DESCRIPTION
Tray1 Papersize	<b>A4 / A5 / A6 / B5</b> LEGAL14 LEGAL13.5 LEGAL13 LETTER EXECUTIVE CUSTOM	Selects the size of paper loaded in Tray 1 (upper tray if both trays installed). For CUSTOM setting see X-DIMENSION and Y-DIMENSION later in this table.
Tray1 Mediatype	<b>PLAIN</b> LETTERHEAD BOND RECYCLED ROUGH	Selects the type of media loaded in this tray. This will help the MFP to adjust its internal operating parameters, such as engine speed and fusing temperature, to better accommodate the media to be fed. For example, letterhead may benefit from a slightly lower fusing temperature to ensure that its ink does not offset.
Tray1 Mediaweight	LIGHT (64~74g/m <sup>2</sup> ) <b>MEDIUM</b> (75~104g/m <sup>2</sup> ) HEAVY (105~120g/m <sup>2</sup> )	Adjusts the MFP for the weight of paper stock loaded in this tray.

ITEM	CHOICE	DESCRIPTION
Tray2 Papersize	<b>A4</b> / A5 / B5 / LEGAL14 LEGAL13.5 LEGAL13 LETTER EXECUTIVE CUSTOM	Selects the size of paper loaded in Tray 2 (lower) if installed. For CUSTOM setting see X-DIMENSION and Y-DIMENSION later in this table.
Tray2 Mediatype	<b>PLAIN</b> LETTERHEAD TRANSPARENCY BOND RECYCLED CARDSTOCK ROUGH	Selects the type of media loaded in this tray (if installed).
Tray2 Mediaweight	LIGHT (64-74g/m <sup>2</sup> ) <b>MEDIUM (75-90g/m<sup>2</sup>)</b> HEAVY (91-176g/m <sup>2</sup> )	Adjusts the MFP for the weight of paper stock loaded in this tray (if installed).
MPT Papersize	<b>A4</b> / A5 / A6 / B5 LEGAL14 LEGAL13.5 LEGAL13 LETTER EXECUTIVE CUSTOM COM-9 ENVELOPE COM-10 ENVELOPE MONARCH ENV DL ENVELOPE C5 ENVELOPE	Selects the size of paper to be fed from the multi purpose tray. For CUSTOM setting see X-DIMENSION and Y-DIMENSION later in this table.
MPT Mediatype	<b>PLAIN</b> LETTERHEAD TRANSPARENCY LABELS BOND RECYCLED CARD STOCK ROUGH	Selects the type of media to be fed from the multi purpose tray so that the MFP can adjust its internal parameters to better accommodate the selected type of media.
MPT Mediaweight	<b>MEDIUM</b> (75-90g/m <sup>2</sup> ) HEAVY (91-120g/m <sup>2</sup> ) ULTRA HEAVY (121-203g/m <sup>2</sup> )	Selects the media weight to be fed from the multi purpose tray.

ITEM	CHOICE	DESCRIPTION
Unit Of Measure	<b>MILLIMETRE</b> INCH	Selects the unit of measure for the next two items.
X-Dimension	100- <b>210</b> -216 MILLIMETRE	Selects the width of paper defined by the "CUSTOM" settings referred to in the foregoing PAPER SIZE settings.
Y-Dimension	148- <b>297</b> -1200 MILLIMETRE	Selects the length of paper defined by the "Custom" settings referred to in the foregoing PAPER SIZE settings. Note that media of up to 1200mm in length can be fed from the multi purpose tray for banner printing.

## Colour menu

ITEM	CHOICE	DESCRIPTION
Density Control	<b>AUTO</b> MANUAL	If set to AUTO, image density will be automatically adjusted at power on, when a new image drum or toner cartridge is installed, and at intervals of 100, 300 and 500 drum counts. If a 500 drum count interval occurs during a print job it will occur at the end of that job, and will take up to 55 seconds. If set to manual, this adjustment will only be performed when initiated by the next menu item.
Adjust Density	EXECUTE	Selecting this will perform the auto density set up immediately.
Colour Tuning	PRINT PATTERN	Selecting this item prints the colour tuning pattern to help you adjust the colour balance.
C Highlight C Mid-Tone C Dark M Highlight M Mid-Tone M Dark Y Highlight Y Mid-Tone Y Dark K Highlight K Mid-Tone K Dark	-3~ <b>0</b> ~+3 -3~ <b>0</b> ~+3 -3~ <b>0</b> ~+3 -3~ <b>0</b> ~+3 -3~ <b>0</b> ~+3 -3~ <b>0</b> ~+3 -3~ <b>0</b> ~+3 -3~ <b>0</b> ~+3 -3~ <b>0</b> ~+3 -3~ <b>0</b> ~+3 -3~ <b>0</b> ~+3	Adjusts image density for each colour component (cyan, magenta, yellow and black). Normal setting is 0.
C Darkness M Darkness Y Darkness K Darkness	-3~ <b>0</b> ~+3 -3~ <b>0</b> ~+3 -3~ <b>0</b> ~+3 -3~ <b>0</b> ~+3	Adjusts darkness of each colour component (cyan, magenta, yellow and black). Normal setting is 0.
Ajst Registration	EXECUTE	Performs automatic colour registration adjustment. Normally this is done on power on and when the top cover is opened and then closed. This process accurately aligns the cyan, magenta and yellow images to the black image.
C Reg Fine Ajst M Reg Fine Ajst Y Reg Fine Ajst	-3~ <b>0</b> ~+3 -3~ <b>0</b> ~+3 -3~ <b>0</b> ~+3	Performs fine adjustment of image timing in relation to the black image component.



ITEM	CHOICE	DESCRIPTION
Ink Simulation	<b>OFF</b> SWOP EUROSCALE JAPAN	Selects from a range of industry standard colour swatches.
UCR	<b>LOW</b> MEDIUM HIGH	
CMY 100% Density	<b>DISABLE</b> ENABLE	When enabled, black areas are produced using 100% C, M, and Y instead of black. This results in a glossier finish.
CMYK Conversion	<b>ON/OFF</b>	

## System configuration menu

ITEM	CHOICE	DESCRIPTION
Pow Save Time	5 15 30 <b>60</b> 240	Adjusts the idling time before the printer automatically switches into power saving mode. In this mode power consumption is reduced to a low level required to just keep the printer operating and ready to receive data. When a job is sent the MFP will require a warm-up time of up to 1 minute before printing can begin.
Personality	<b>AUTO EMULATION</b> PCL IBM PPR III XL EPSON FX PS3 EMULATION	This item selects which industry standard emulation your MFP should use. When set to AUTO, incoming data is examined and the correct emulation is automatically selected each time a print job is received.
USB PS Protocol	<b>RAW</b> ASCII	Selects PostScript data format for USB port.
Cirable Warning	<b>ONLINE</b> JOB	When ONLINE, non-critical warnings, such as requests for a different paper size, can be cleared by pressing the ON LINE button. When set to JOB, they are cleared when the print job resumes.
Auto Continue	ON/ <b>OFF</b>	Determines whether or not the MFP will automatically recover from a memory overflow condition.
Manual Timeout	OFF 30 sec <b>60 sec</b>	Specifies how many seconds the MFP will wait for paper to be fed before cancelling the job.
Wait Timeout	5~ <b>40</b> ~300 OFF	Specifies how many seconds the MFP will wait when received data pauses before forcing a page eject. In PostScript Emulation mode the job will be cancelled if timeout occurs.
Low Toner	<b>CONTINUE</b> STOP	Specifies whether the MFP should continue printing even after a low toner condition is detected.
Jam Recovery	<b>ON</b> /OFF	Specifies whether the MFP should perform jam recovery after a paper jam has occurred. If ON, the MFP will attempt to print again any pages lost due to a paper jam once the jam has been cleared.

ITEM	CHOICE	DESCRIPTION
Error Report	<b>ON/OFF</b>	If ON, the MFP will print error details when a PostScript Emulation error occurs.

## PCL emulation

ITEM	CHOICE	DESCRIPTION
Font Source	<b>RESIDENT</b> / RESIDENT 2	Specifies the location of the PCL default font. Normally this will be INTERNAL unless additional fonts are installed in the expansion ROM slot or additional fonts have been downloaded to RAM as permanent fonts.
Font No.	<b>10</b> ~I89	Sets the current default font number from the currently selected source, which could be internal (I), ROM slot (C) or downloaded (S).
Font Pitch	0.44 CPI~ <b>10.00</b> <b>CPI</b> ~99.99 CPI	Point size of selected default font.
Symbol Set	<b>PC-8</b>	PCL symbol set. If the font source and number are changed to one which does not support the selected symbol set, this must be changed to an available symbol set for that font.
A4 Print Width	<b>78 COLUMN</b> 80 COLUMN	Sets the number of columns subject to Auto LF with A4 paper in PCL. This is the value when Auto CR/LF Mode is set to OFF with the 10CPI character.
White Page Skip	<b>OFF/ON</b>	Selects whether blank pages are printed or not.
CR Function	<b>CR</b> / CR+LF	Selects whether a received carriage return character (0Dh) also causes a line feed.
LF Function	<b>LF</b> / LF+CR	Selects whether a received line feed character (0Ah) also causes a carriage return.
Print Margin	<b>NORMAL</b> 1/5 INCH 1/6 INCH	Sets the non-printable page area. NORMAL is PCL compatible.

ITEM	CHOICE	DESCRIPTION
True Black	<b>OFF/ON</b>	Selects whether black image data is printed using black toner (ON) or 100% CMY (OFF). (Valid in PCL emulation mode only.)
Pen Width Adjust	<b>ON/OFF</b>	
Tray ID# MP Tray	1~ <b>4</b> ~59	

### PPR emulation

ITEM	CHOICE	DESCRIPTION
Character Pitch	<b>10 CPI</b> ; 12 CPI; 17 CPI; 20 CPI; PROPORTIONAL	Specifies character pitch in IBM PPR emulation.
Font Condense	<b>12CPI - 20CPI</b> ; 12CPI - 12CPI	Specifies 12CPI pitch for Condense Mode.
Character Set	SET 1; <b>SET 2</b>	Specifies a character set.
Symbol Set	IBM 437	Specifies a symbol set.
Letter 0 Style	<b>DISABLE</b> ENABLE	Specifies the style that replaces 9BH with letter o and 9DH with a zero
Zero Character	<b>NORMAL</b> SLASHED	Sets the zero to be slashed or unslashed.
Line Pitch	<b>6 LPI</b> ; 8 LPI	Specifies the line spacing.
White Page Skip	<b>OFF/ON</b>	Selects whether blank pages are printed or not.
CR Function	<b>CR</b> / CR+LF	Selects whether a received carriage return character (0Dh) also causes a line feed.
LF Function	<b>LF</b> / LF+CR	Selects whether a received line feed character (0Ah) also causes a carriage return.
Line Length	<b>80 COLUMN</b> / 136 COLUMN	Specifies the number of characters per line.
Form Length	11 Inch / <b>11.7 Inch</b> / 12 Inch	Specifies the length of paper.

ITEM	CHOICE	DESCRIPTION
TOF Position	<b>0.0 Inch</b> - 1.0 Inch	Specifies the distance of print from the top edge of the paper.
Left Margin	<b>0.0 Inch</b> - 1.0 Inch	Specifies the distance of print from the left hand edge of the paper.
Fit To Letter	<b>DISABLE</b> ENABLE	Sets the printing mode that can fit print data, equivalent to 11 inches (66 lines), in the LETTER-size printable area.
Text Height	<b>SAME</b> / DIFF	Sets the height of a character. SAME: Regardless of CPI, same height DIFF: As CPI, character heights vary.

### FX emulation

ITEM	CHOICE	DESCRIPTION
Character Pitch	<b>10 CPI</b> ; 12 CPI; 17 CPI; 20 CPI; PROPORTIONAL	Specifies character pitch in this emulation.
Character Set	SET 1 / <b>SET 2</b>	Specifies a character set.
Symbol Set	IBM 437	Specifies a symbol set.
Letter 0 Style	<b>DISABLE</b> ENABLE	Specifies the style that replaces 9BH with letter o and 9DH with a zero
Zero Character	<b>NORMAL</b> SLASHED	Sets the zero to be slashed or unslashed.
Line Pitch	<b>6 LPI</b> / 8 LPI	Specifies the line spacing.
White Page Skip	<b>OFF/ON</b>	Selects whether blank pages are printed or not.
CR Function	<b>CR</b> / CR+LF	Selects whether a received carriage return character (0Dh) also causes a line feed.
Line Length	<b>80 COLUMN</b> / 136 COLUMN	Specifies the number of characters per line.
Form Length	11 inch / <b>11.7 inch</b> / 12 inch	Specifies the length of paper.
TOF Position	<b>0.0 inch</b> - 1.0 inch	Specifies the distance of print from the top edge of the paper.

ITEM	CHOICE	DESCRIPTION
Left Margin	<b>0.0 inch</b> - 1.0 inch	Specifies the distance of print from the left hand edge of the paper.
Fit To Letter	<b>DISABLE</b> ENABLE	Sets the printing mode that can fit print data, equivalent to 11 inches (66 lines), in the LETTER-size printable area.
Text Height	<b>SAME</b> / DIFF	Sets the height of a character. SAME: Regardless of CPI, same height. DIFF: As CPI, character heights vary.

### USB menu

ITEM	CHOICE	DESCRIPTION
Soft Reset	ENABLE <b>DISABLE</b>	Enables or disables the SOFT RESET command.
Speed	12 / <b>480</b> Mbps	Selects the interface speed
Offline Receive	ENABLE <b>DISABLE</b>	
Serial Number	<b>ENABLE</b> DISABLE	

### Maintenance menu

ITEM	CHOICE	DESCRIPTION
Menu Reset	EXECUTE	Resets menus to default settings.
Save Menu	EXECUTE	Saves current menu settings as default values. At confirmation prompt, press <b>ENTER</b> to confirm save, or <b>CANCEL</b> to cancel.
Power Save	<b>ENABLE</b> DISABLE	Enables or disables automatic power save mode. Delay before entering this mode is set in the system configuration menu.

ITEM	CHOICE	DESCRIPTION
Paper Black Setting	-2~0~+2	Used for small adjustment when you experience faded print or light specks / streaking in monochrome printing on white paper. Select a higher value to reduce fading, or a lower value to reduce specks or streaking in high density print areas.
Paper Color Setting	-2~0~+2	As above, but for colour printing.
Transpr Black Setting	-2~0~+2	As above but for mono printing on transparencies.
Transpr Color Setting	-2~0~+2	As above but for colour printing on transparencies.
SMR Setting	-3~0~+3	
BG Setting	-3~0~+3	

### Usage menu

ITEM	DESCRIPTION
Tray n Page Count	The total number of pages fed from tray n.
MPT Page Count	The total number of pages fed from the multi purpose tray.
Colour Page Count	The total number of pages printed in colour.
Mono Page Count	The total number of pages printed in monochrome.
K Drum Life Remaining C Drum Life Remaining M Drum Life Remaining Y Drum Life Remaining	Percentage of life remaining in these consumable items.
Belt Life Remaining	Percentage of belt life remaining.
Fuser Life Remaining	Percentage of fuser life remaining.
K Toner C Toner M Toner Y Toner	Cartridge size and current toner level.

## Job log menu

---

*NOTE*

*Access to this menu is password restricted.*

---

ITEM	CHOICE	DESCRIPTION
Job Log	<b>ENABLE</b> DISABLE	Prints a list of jobs carried out on this MFP.



## **EXPLANATION OF FILING PROTOCOLS**

### **FTP**

FTP stands for "File Transfer Protocol." It is a common method of transferring files via the Internet from one computer to another. FTP use RFC 959[FTP] as their protocol. Therefore, ensure you have a legal FTP account with the privilege of writing under the directory to save the files and password before using FTP to save documents. To add a sub-directory from the MFP, you need to have the privilege of adding a new directory.

### **HTTP**

HTTP use RFC 2616[HTTP 1.1] as their protocol, and the default Port is usually 80. If you are not using the HTTP port to save files, you must change the MFP HTTP Port to the port for the Web Server.

Generally speaking, a Hyper Text Transfer Protocol (HTTP) Web Server will use an anonymous account for authentication, so that the user can link directly to the web page without entering the user name and password first. Therefore, if the HTTP Server does use an anonymous account for authentication when you use this MFP to save files, there is no need for setting any text in the field of Login name and Password for the MFP.

On the other hand, if the HTTP server does not allow an anonymous account for authentication of connection to the web page, the user will be prompted to enter a user name and password first when connecting to the web site. In this mode, the file saving feature is available only when entering the user name and password permitted by the server in the Login name and Password field for the MFP.

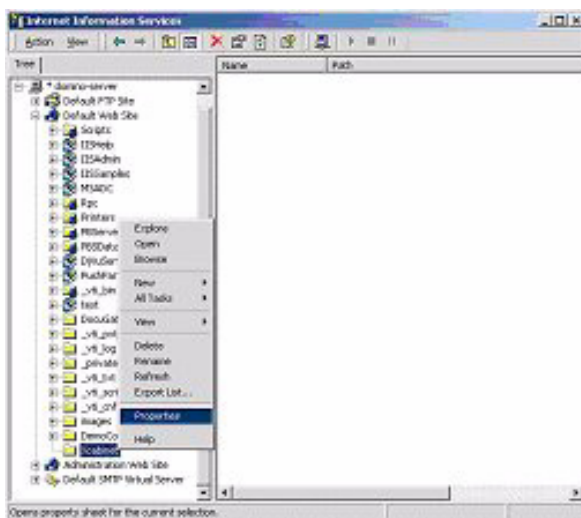
Therefore, make sure of the mode that your Web Server allows before using HTTP for file saving. If anonymous access mode is not allowed, you must have a legal HTTP account and password.

Since this MFP will check whether the directory for file saving really exists before proceeding to file saving and writing after scanning to the specified directory, you have to set the directory for files saving as "browse" and allow for writing in the Web Server; otherwise the MFP will not be able to write the file into the directory.

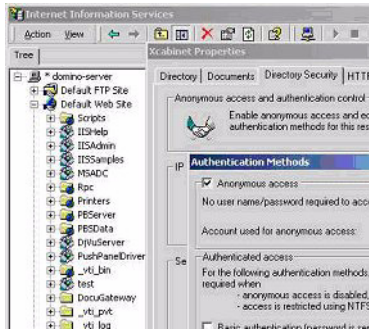
If you wish to use the MFP to save files, in addition to making some settings in Web Server, you will have to confirm that the account has writing privilege for connecting to the Web Server. If not, the MFP will not be able to "write" the scanned file in the file system.

### Setting IIS anonymous access:

1. Start Internet service manager in "Control Panel".
2. Select Default Web site and right click C:\Inetpub\wwwroot\X cabinet.
3. Select Properties.



4. In the X cabinet dialogue box, select the Directory security tab, and click Edit for "Anonymous Access and Authentication Control". Make sure " Anonymous Access" is selected in the "Authentication Methods" dialogue box.



5. Click Edit to open "Account for anonymous access".



---

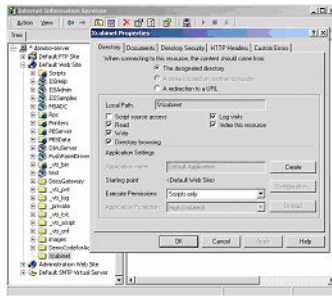
**NOTE**

*Make sure that the account stored in your computer system, in the "username" file, has sufficient privilege to access the file system.*

---

## Setting IIS privileged access:

1. As in "Setting IIS anonymous access", start "Internet service manager" and select Default Web site. Right click C:\Inetpub\wwwroot\X cabinet, and select Properties.
2. Select the Directory tab on the Properties page. Ensure the privileges for "Read", "Write" and "Directory Browsing" are selected.



---

### NOTE

*If the file management system on your server is NTFS, in order to allow IIS to use an anonymous account to access the files in the directory of C:\Inetpub\wwwroot\X cabinet\Files, you have to make sure the anonymous account has the correct privileges. You should make the following settings:*

1. *Select C:\Inetpub\wwwroot\X cabinet\Files directory in Windows Explorer, and right click to select Properties.*
  2. *Select the Security tab in the File dialogue box, and then Everyone.*
  3. *Select the privileges for Read and Execute, Folder Properties List, Read and Write.*
-

After that every user has the privilege to manage all files in the directory for saving files.

---

**NOTE**

- 1. For security of the scanned files, "Everyone" should not be allowed to have full privileges of the file directory. Therefore, when setting the access privilege for your file system, it is recommended that you set the privilege of the directory for saving files to IIS anonymous account, or users and groups that can use that directory only.*
  - 2. Please note that HTTP cannot add a server sub-directory from this MFP.*
- 

When using Apache as HTTP server, according to their documentation, it must have SCRIPT to run the HTTP PUT method. Although the document is attached with a Perl example, you will need to modify it before applying it, since this MFP uses Transfer-encoding of Chunked. In addition, the Apache will have to be set to accept this MFP. For more information refer to the relevant Apache documentation.

**CIFS**

CIFS (Windows Network Share) is a file saving protocol generally used for "resource sharing" of a network in Microsoft Windows systems. Set up the "shared directory" as per the network settings for sharing in MS Windows. Under the User level mode of Windows 2000, use the account and password with the privilege of "write" as the login name and Password for the MFP folder.

## SETTING THE FAX FACILITY

### INITIAL SET UP

The following parameters **must** be set before using the fax function on your MFP:

- > Date and time
- > Country code
- > Station ID and number

There are other parameters that can be adjusted to suit your personal preferences later if required, refer to fax set up table for details (See "[Fax settings](#)" on page 41).

To set fax parameters:

1. Press the **Menu** button to prompt the menu settings screen.
2. Using the **UP** arrow key, navigate to Management and press **OK**.
3. When prompted, enter the password and press **OK**.
4. Press **OK** to select Date/Time.
5. Enter today's date and the correct time, then press **OK** to confirm.
6. Using the **UP** arrow key, navigate to Country Code and press **OK**.
7. Select the country in which the MFP is situated and press **OK**.
8. Press **Return** to go back to the main menu settings screen.
9. Using the **UP** arrow key, navigate to Fax Settings and press **OK**.
10. Using the **UP** arrow key, navigate to Setup Fax and press **OK**.
11. Press **OK** to select Station ID.
12. Enter the ID number and telephone number, then press **OK** to confirm.

13. Press **Return** to update selections and exit the menu.

---

*NOTE*

*If connecting the machine through a private branch exchange (PBX) line, you must also specify a dial prefix to allow the machine to obtain an external line before dialling. Refer to "Connecting to a PBX" on page 71.*

---

## **ADVANCED SET UP**

Your machine offers a multitude of features which reduce the time required for manual operation and make fax communications more efficient.

### **Adding a speed dial entry to the phone book**

The machine can hold up to 200 numbers in the phone book, the first 10 numbers will be assigned as "one-touch" speed dial entries. To add a new speed dial number to the phone book:

1. Press the **Menu** button on the control panel.
2. Using the **UP** arrow key, navigate to Fax Settings and press **OK**.
3. Press **OK** to select Phone Book.
4. Press **OK** to select Edit Speed Dial!, then press **OK**.
5. Using the **UP/DOWN** arrow keys, navigate to the desired speed dial entry location (index number), then press **OK**.
6. Press **OK**, enter the name of the fax recipient using the alpha/numeric keypad, and press **OK**.
7. Using the **DOWN** arrow key, navigate to the number field then press **OK**.

8. Enter the new destination fax number and press **OK**.
- 

*NOTE*

1. The maximum length of name is 32 characters.  
The maximum length of number is 32 digits.
  2. If the destination fax number has an "extension number", press the **Pause** button to input a "-" between numbers. The machine will insert a one second pause when dialling.
- 

### **Adding a group dial entry to the phone book**

The machine can hold up to 20 group dial settings, each group can have up to 50 entries. To add a new group dial number to the phone book:

1. Press the **Menu** button on the control panel.
  2. Using the **UP** arrow key, navigate to Fax Settings and press **OK**.
  3. Press **OK** to select Phone Book.
  4. Using the **DOWN** arrow key, navigate to Edit Group Dial! then press **OK**.
  5. Using the **UP/DOWN** arrow keys, navigate to the desired group dial entry location (index number), then press **OK**.
  6. Press **OK**, enter the new group name using the alpha/numeric keypad, and press **OK**.
- 

*NOTE*

*The maximum length of name is 32 characters.*

---

7. If multiple numbers are required, repeat step 6 to add other entries to the group.
- 

*NOTE*

*Each group can have a maximum of 50 entries.*

---



### **Deleting a speed dial entry from the phone book**

To delete a speed dial number from the phone book:

- 1.** Press the **Menu** button on the control panel.
- 2.** Using the **UP** arrow key, navigate to Fax Settings and press **OK**.
- 3.** Press **OK** to select Phone Book.
- 4.** Using the **DOWN** arrow key, navigate to Delete Speed Dial! then press **OK**.
- 5.** Using the **UP/DOWN** arrows keys, scroll through the speed dial entries and press **OK** to select the required fax number.

This can be repeated if multiple deletions are required. The selected row(s) will be marked with an "\*".

- 6.** Press **Return** to finish selecting and return to the previous screen. The LCD display will confirm the quantity of fax numbers selected.
- 7.** Press **OK** to confirm deletion, or press **Stop** to cancel the deletions.

### **Deleting a group dial entry from the phone book**

To delete a group dial entry from the phone book:

- 1.** Press the **Menu** button on the control panel.
- 2.** Using the **UP** arrow key, navigate to Fax Settings and press **OK**.
- 3.** Press **OK** to select Phone Book.
- 4.** Using the **DOWN** arrow key, navigate to Delete Group Dial! then press **OK**.
- 5.** Using the **UP/DOWN** arrows keys, scroll through the group dial entries and press **OK** to select the required group ID.

This can be repeated if multiple deletions are required. The selected row(s) will be marked with an "\*".

6. Press **Return** to finish selecting and return to the previous screen. The LCD display will confirm the quantity of group entries selected.
7. Press **OK** to confirm deletion, or press **Stop** to cancel the deletions.

### **Deleting all phone book entries**

To delete the entire contents of the phone book:

1. Press the **Menu** button on the control panel.
2. Using the **UP** arrow key, navigate to Fax Settings and press **OK**.
3. Press **OK** to select Phone Book.
4. Using the **DOWN** arrow key, navigate to Delete All! then press **OK**.
5. At the prompt, select "Yes" to confirm deletions or "No" to cancel the operation.

### **Appending the phone number after transmission**

You can set your machine to prompt you to append any new fax numbers to the phone book after transmission:

1. Press the **Menu** button on the control panel.
2. Using the **UP** arrow key, navigate to Fax Settings and press **OK**.
3. Press **OK** to select Phone Book.
4. Using the **UP** arrow key, navigate to Append Phone #: then press **OK**.
5. Select "Yes" to confirm or "No" to cancel the operation.

Once set, when you send a fax to a new destination number the following prompt is displayed:

Add to phonebook? Yes/No

Select "Yes" to confirm addition or "No" to cancel the operation.

## Connecting to a PBX

Private Branch Exchanges (PBXs) are private telephone systems used to route calls internally, for example, in a company. When dialling a telephone number, if a prefix (access) number is required to open an outside line, the line is connected to a PBX. If this MFP is going to be connected to a PBX, please make the following changes to enable it to recognise the prefix digits in the telephone numbers used to obtain access to the outside line. After dialling the prefix digits, the MFP will wait until the outside line is available (secondary dial tone detected) before dialling the rest of the number.

1. Press the **Menu** button on the control panel.
2. Using the **UP** arrow key, navigate to Fax Settings and press **OK**.
3. Using the **UP** arrow key, navigate to Setup Fax and press **OK**.
4. Using the **UP** arrow key, navigate to dial prefix and press **OK**.
5. Enter your dialling prefix, then press **OK** to confirm.
6. Press **Return** to go back to the main menu settings screen.

## Automatic redial

You can set the fax to automatically redial if the initial fax transmission fails. The machine will redial on:

- > Line busy
- > No answer
- > Communication error

To set auto-redial:

1. Press the **Menu** button to prompt the menu settings screen.
2. Using the **UP** arrow key, navigate to Fax Settings and press **OK**.
3. Using the **UP** arrow key, navigate to Setup Fax and press **OK**.

4. Using the **DOWN** arrow key, navigate to Re-dial and press **OK**.
5. Select the required number of redial attempts (between 0 and 10), then press **OK**.
6. Using the **DOWN** arrow key, navigate to Redial Interval and press **OK**.
7. Select the required redial interval (between 1 and 6 minutes), then press **OK**.
8. Press **Return** to store the new configuration settings and exit the menu.

### **Manual receive**

Upon receiving an incoming call, the MFP will ring until you press the **Start** button to receive the fax.

To enable the manual receive option:

1. Press the **Menu** button to prompt the menu settings screen.
2. Using the **UP** arrow key, navigate to Fax Settings and press **OK**.
3. Using the **UP** arrow key, navigate to Setup Fax and press **OK**.
4. Using the **DOWN** arrow key, navigate to Manual Receive and press **OK**.
5. Press **Return** to store the new configuration settings and exit the menu.

## Adding a telephone handset

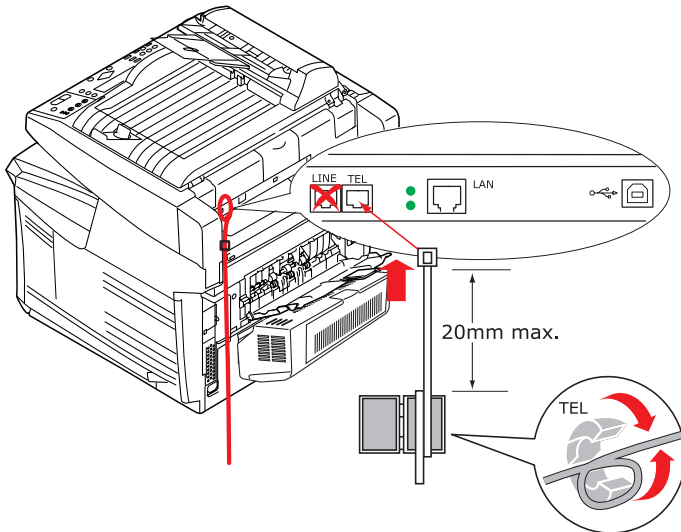
If you want to add a telephone handset to your MFP, connect the line to the Tel socket (in certain countries it may be necessary to use a telephone plug adaptor).

---

### NOTE

Loop the telephone line round the ferrite once as shown.

---



You will also need to update the telephone settings to set the ring response:

1. Press the **Menu** button on the control panel.
2. Using the **UP** arrow key, navigate to Fax Settings and press **OK**.
3. Using the **UP** arrow key, navigate to Setup Fax then press **OK**.
4. Using the **UP/DOWN** arrows keys, navigate to Ring Response and press **OK**.
5. Select the required response setting and press **OK**.

6. Press **Return** to store the new configuration setting and exit the menu.

---

*NOTE*

*Manual receive must also be activated. See "Manual receive" on page 72.*

---

## PRINT SETTINGS AND SECURITY

Your MFP's operator panel menus provide access to many options. The Windows printer driver also contains settings for many of these items. Where items in the printer driver are the same as those in the operator panel menus, and you print documents from Windows, the settings in the Windows printer driver will override those items in the operator panel menus.

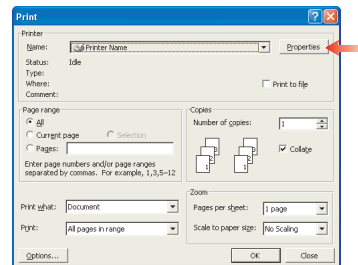
The illustrations in this chapter show Windows XP. Other Windows versions may appear slightly different, but the principles are the same.

### PCL OR POSTSCRIPT?

Three printer drivers are supplied with your MFP: one for PCL5c emulation, one for PCL6 emulation, and the other for PostScript 3 emulation. If you print mainly from general "Office" applications choose one of the PCL drivers. For faster printing of PDF documents, choose PostScript. If you print mainly from professional DTP and graphics applications, choose PostScript.

### PRINTING PREFERENCES IN WINDOWS APPLICATIONS

When you choose to print your document from a Windows application program a print dialogue box appears. This dialogue usually specifies the name of the machine on which you will print your document. Next to the printer name is a **Properties** button.

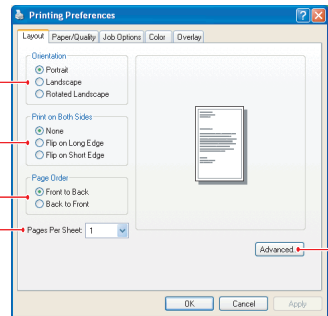


When you click **Properties** a new window opens which contains a short list of the printer settings available in the driver, which you can choose for this document.

The window which opens when you click **Properties** depends on which printer driver has been installed. The PostScript driver offers different choices to the PCL driver.

## POSTSCRIPT EMULATION

1. Page orientation sets portrait (tall) or landscape (wide) page orientation. The “rotated” rotates the paper through 90 degrees anti-clockwise.
2. When printing double sided pages (duplex unit required). You can flip the paper either on its long edge or short edge.
3. Pages can be printed in forward or reverse order. If using the face down (top) paper stacker, forward order is usually appropriate to ensure that pages are stacked in numerical order. If using the face up (rear) paper stacker, reverse order would normally stack your pages in numerical order.
4. You can specify how many pages to print on a sheet. Pages will be scaled to fit the number you choose. If you choose booklet printing (requires duplex unit) two pages will automatically be set, and pages will be printed with the correct pages opposite one another so that folding the stacked printout produces a booklet.
5. Advanced options are also available, such as how to download TrueType fonts, and whether advanced options such as booklet printing are available.



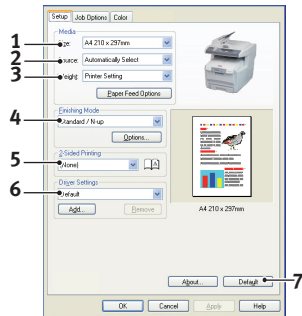
The printer driver contains extensive on-line help for these items to help you make the most appropriate choices.



## PCL EMULATION

When you click the **Properties** button from your application's Print dialogue, the driver window opens to allow you to specify your printing preferences for this document.

1. Paper size should be the same as the page size of your document (unless you wish to scale the printout to fit another size), and should also be the same as the size of paper you will feed into the MFP.
2. You can choose the source of the paper to feed, which may be Tray 1 (the standard paper tray), Tray 2 (if you have the optional 2nd paper tray installed) or the multi purpose feeder. You can also click on the appropriate part of the screen graphic to select your preferred tray.
3. The setting for paper weight should match the type of paper on which you intend to print.
4. A variety of document finishing options can be selected, such as normal one page per sheet, or N-up (where N can be any number up to 16) for printing scaled down pages at more than one page per sheet. Booklet printing prints two pages per sheet on each side of the paper so that when folded they make up a booklet. Booklet printing requires the duplex unit to be installed in your MFP. Poster printing will print large pages as tiles spread over multiple sheets.
5. For two-sided printing, you can choose to flip the page by the long edge or the short edge. Of course, this requires that a duplex unit be installed in your MFP.
6. If you have changed some printing preferences before and saved them as a set, you can recall them to avoid having to set them individually each time you need them.
7. A single on-screen button restores the default settings.



## SECURE PRINTING

Secure printing allows you to print confidential documents on MFPs that are shared with other users in a network environment.

The document does not print until a PIN (Personal Identification Number) is entered through the printer control panel. You must go to the MFP and enter the PIN.

This feature requires the hard disk drive in your MFP, this device must be enabled in the printer driver. (See ["Adjusting windows printer drivers" on page 152.](#))

If there is not enough hard disk space for the spooled data, a "Disk Full" message displays, and only one copy prints.

The secure printing feature may not be available from within some PC applications.

If your application software has a collate print option, turn it off. Otherwise secure printing will not work.

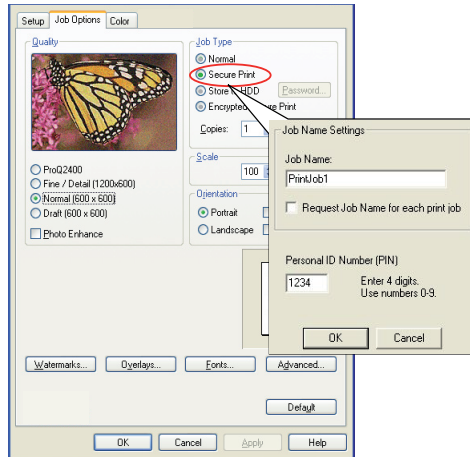
There are three parts in secure printing:

- > Sending the document to the MFP ([page 78](#))
- > Printing the document ([page 80](#))
- > Deleting the document when it is not required ([page 81](#))

## SENDING THE DOCUMENT

1. If using the PCL driver, in the [Setup] tab choose any saved driver settings you wish to use. See ["Recalling saved driver settings" on page 188.](#)
2. In the driver's [Job Options] tab, click [Secure Print].

The Job PIN (Personal Identification Number) window opens.

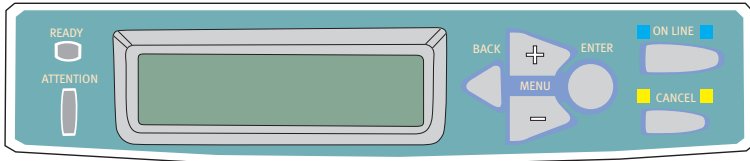


3. If the PIN window does not open, click the [PIN] button.
4. In the Job PIN window, enter a [name] for this print job:  
The name may be up to 16 alpha-numeric characters. If you have more than one print job stored on the MFP when you come to print, you will need a distinctive name to distinguish between each of your print jobs.
5. If you would like a prompt at the MFP for the job name, click the [Request...] checkbox below the name entry.
6. Enter a number from 0000 to 9999 in the [PIN] box.  
Your PIN must be unique on this MFP. Each user should be allocated a PIN by the system administrator.
7. Click [OK] to accept your changes.
8. Click [OK] to close the Printer Properties window.
9. Print your document.

The print job will be sent to the MFP, but will not print at this time.

## PRINTING THE DOCUMENT

Your secure print job is printed using the printer control panel on the front of the MFP.



1. When the MFP is idle ("ONLINE" indicated in the display), use the +/- buttons to select the PRINT JOB menu, then press [ENTER].
2. Select "ENCRYPTED/STORED JOB".
3. Use the +/- buttons to input your PIN. Press [ENTER] after each digit.  
If you have more than one stored document, a list appears in the display.
4. Use the +/- buttons to select the name of the print job you wish to print, and press [ENTER] to select it.
5. If necessary, use the +/- buttons to highlight the PRINT option.
6. Press [ENTER] to confirm you wish to print the document.
7. Use the +/- buttons to select the number of collated copies you require.
8. Press [ENTER] to print your document.

When all required copies have been printed your document is automatically deleted from the MFP's hard disk.

---

### NOTE

*It is also possible to print and delete secure documents remotely from your PC using the Storage Device Manager utility.*

---

## **DELETING A SECURE PRINT DOCUMENT**

If you change your mind about printing a secure document, you can delete it from the MFP's hard disk without printing it first.

- 1.** Follow Steps 1 to 4 in the above procedure for printing the document.
- 2.** Use the +/- buttons to highlight the DELETE option and press [ENTER].
- 3.** If necessary, use the +/- buttons to highlight the YES choice, and press [ENTER] to confirm the deletion.

Your document is deleted from the MFP's hard disk without printing.

## STORE TO HARD DISK

This feature allows print jobs to be created on the PC and stored on the MFP's hard disk for printing on demand. This is good for forms, generic memos, letterhead, stationery, etc.

If you use this feature for standard forms, for example, you can walk up to the MFP at any time and print off your forms without having to re-send them from the PC.

This feature works in exactly the same way as the secure printing feature described earlier in this Chapter. The difference with job spooling is that the document is not automatically deleted from the MFP's hard disk after printing. It remains there for future use until you delete it from the printer control panel or from your PC with the Storage Device Manager utility.

---

### NOTE

*If this choice does not appear in the driver screens, or if it is greyed out, check to ensure that the hard disk is enabled in the printer driver. (See "[Adjusting windows printer drivers](#)" on page 152.)*

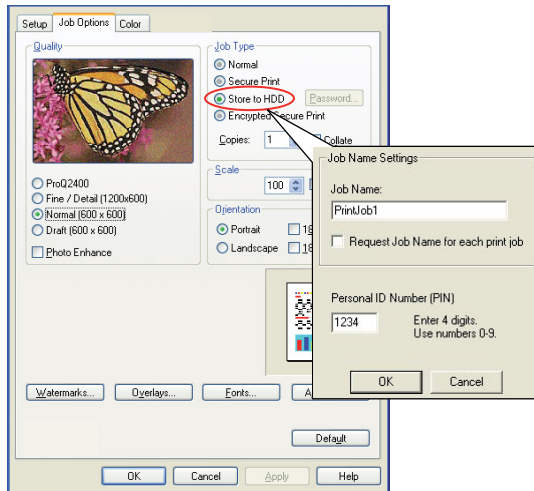
---

Like the secure printing feature, there are three parts in job spooling:

1. Sending the document
2. Printing the document
3. Deleting a stored document

## SENDING THE DOCUMENT

Follow the same procedures as described in the section [“Sending the document” on page 78](#) for sending a secure document, except that on the [Job Options] tab in step 2, click [Store to HDD].



## PRINTING THE DOCUMENT

Follow the same procedures as described in the section [“Printing the document” on page 80](#) for printing a secure document. In this case the document will not be deleted from the hard disk after it has been printed.

## DELETING A STORED DOCUMENT

Follow the procedure as described in [“Deleting a secure print document” on page 81](#) for deleting a secure print document.

Like secure print documents, any other documents stored on the printer's hard disk can also be deleted remotely from the PC using the Storage Device Manager utility.

## ENCRYPTED SECURE PRINTING

Security over the network is an increasing concern for some organisations. Encrypted secure printing allows you to send, store and print confidential documents on MFPs that are shared with other users in a network environment.

Encrypting your documents before sending them to your MFP will prevent unauthorised personnel accessing confidential or sensitive information.

Print jobs are encrypted immediately before transmission to the MFP, where they are stored in an encrypted format on the hard disk drive. The documents will remain stored and unprinted until an authorised user authenticates the print job; decryption only happens when the job is actually printing.

This feature requires the hard disk drive in your MFP, this device must be enabled in the printer driver. (See ["Adjusting windows printer drivers" on page 152.](#))

The encrypted secure printing feature may not be available from within some PC applications.

If your application software has a collate print option, turn it off. Otherwise secure printing may not work.

There are two parts in encrypted secure printing:

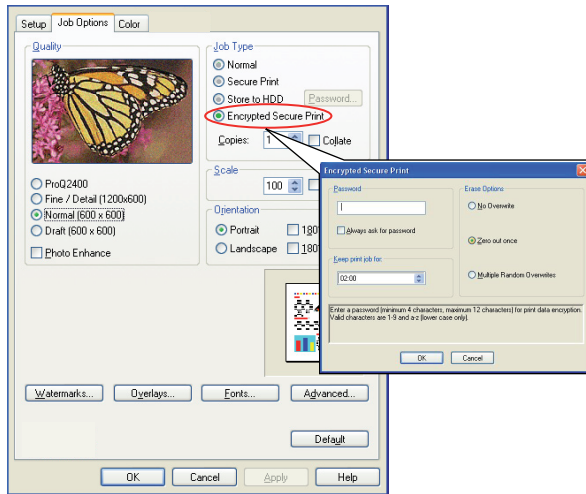
- > Sending the document
- > Printing the document

### SENDING THE DOCUMENT

1. If using the PCL driver, in the [Setup] tab choose any saved driver settings you wish to use. See ["Recalling saved driver settings" on page 188.](#)
2. In the driver's [Job Options] tab, click [Encrypted Secure Print].



The Encrypted Secure Print window opens.



3. In the Encrypted Secure Print window, enter a [Password] for this print job:

The password must be between 4 and 12 alpha-numeric characters. Numbers 1 to 9 and letters a to z are all valid.

4. If you would like a prompt at the MFP for the job password, click the [Always ask for password] checkbox below the password entry.
5. Select the required erase option for your print job:
  - > **No overwrite:** simply erases a print job without overwriting the job with data. This erase method poses a risk of the print job being reconstructed.
  - > **Zero out once:** erases a print job after overwriting it with data once. This erase method is safer than the "No overwrite" option however it still poses a risk of the print job being reconstructed.
  - > **Multiple Random Overwrites:** erases a print job after overwriting it with data three times. This is the safest method of erasing a print job however it takes longer to complete the job.

6. Select the Auto Erase Time-out period.

Specify a period of time (hours:minutes) during which the print job is stored in the MFP's HDD. When this period expires, the print job is automatically erased from the HDD.

7. Click [OK] to accept your changes.
8. Click [OK] to close the Printer Properties window.
9. Print your document.

### **PRINTING THE DOCUMENT**

Follow the same procedures as described in the section "[Printing the document](#)" on [page 80](#) for printing a secure document. In this case you will enter your password, and the document will be erased from the hard disk depending on the options you specified when sending the document to print.

# OPERATION

With its intuitive control panel, this Multi Function Product (MFP) is designed to be easy to use. After the machine has been configured, operating is quite straight forward.

---

*NOTE*

*If PIN restriction has been enabled for any or all of the MFP functions, you will first have to enter your PIN.*

---

The following sections describe how to make a copy of your scanned document, how to distribute your document on the internet, and how to send it via fax.

## LOADING DOCUMENT(S) FOR COPYING

This MFP can scan/copy/send/fax document(s) either in the ADF (Automatic Document Feeder) or on the glass. If you need to send multiple pages, load your papers in the ADF. The ADF can hold up to 50 pages at one time.

If you need to scan/copy/send/fax pages from books, newspaper clippings, or paper with wrinkles or curls, place them on the glass.

## PLACING DOCUMENT(S) IN THE ADF

Before using the ADF, please make sure that your paper meets the following specifications:

- > Document(s) can range in size from 4.5 x 5.5 inches (114.3 x 139.7mm) to 8.5 x 14 inches (215.9 x 355.6mm).
- > Document(s) can range in weight from 16 to 28 lbs (0.002" to 0.006").
- > Document(s) should be square or rectangular and in good condition (not fragile or worn).
- > Document(s) should be free of curl, wrinkle, tears, wet ink, or punch holes.
- > Document(s) should be free of staples, paper clips, paper sticky notes.

- > Keep the glass clean and without any documents left on it.

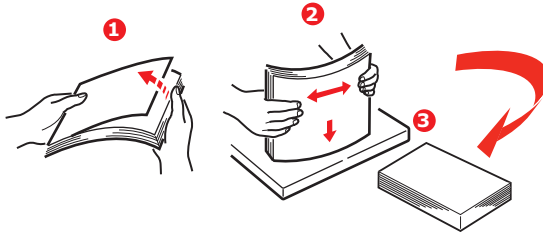
---

**NOTE**

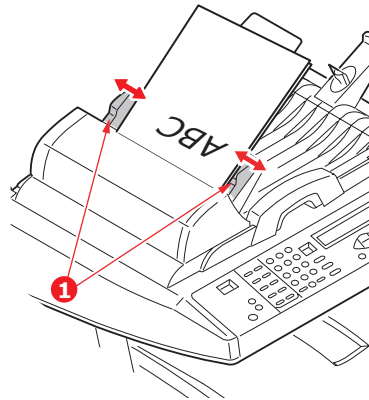
*To transmit irregular types of document(s), place the document(s) on the glass or make a copy first and then transmit the copy instead.*

---

- 1.** If you have multiple pages, fan the pages to avoid paper jams. The ADF holds up to 50 pages at one time.

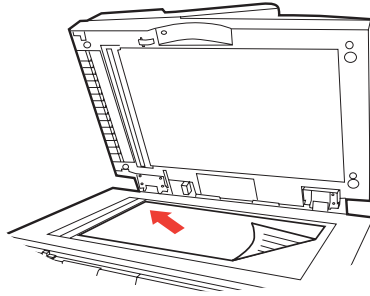


- 2.** Place the document with the text face UP in the ADF and make sure that the top of each page is fed in first.
- 3.** Adjust the Paper Guides (1) to centre the document in the ADF.



## PLACING DOCUMENT(S) ON THE GLASS

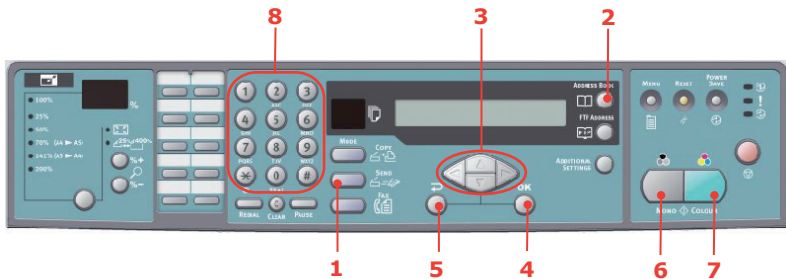
1. Open the document cover.
2. Place your document with the text face **DOWN** on the glass and align it to the upper-left corner.



3. Close the document cover.

## SENDING DOCUMENT(S) VIA E-MAIL

### BASIC OPERATION



1. Place your document(s) with text face **UP** in the ADF or face **DOWN** on the glass (as described above).
2. Press **Send Mode** (1) on the control panel. The e-mail screen will appear.
3. In the "To" field, enter the destination e-mail address from the Address Book by pressing **Address Book** (2). Use the **UP** and **DOWN** arrows (3) to select multiple e-mail addresses and press the **OK** button (4). Or for a fast operation, you may simply type the initial letter of the e-

mail address using the keypad (8). Press **Return** (5) to return to the e-mail main screen.

4. Enter the subject of your e-mail. If not entered, "Default Subj." will be displayed.
5. Enter or select CC and BCC address(es), if necessary.
6. Press the **Mono** button (6) to send your document(s) in black and white, or the **Colour** button (7) to send your document(s) in colour.

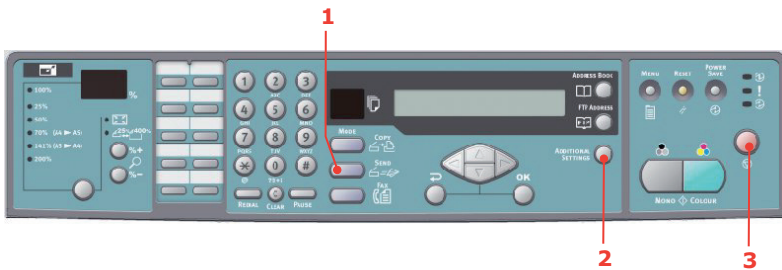
## ADVANCED OPERATION

If you are not satisfied with the scanned image, you can use the advanced features to enhance it.

### NOTE

For illustration purposes only, the advanced features shown are as accessed from the scanner control panel, they can also be accessed from the web page and the MFP Network Setup Tool.

To use the advanced features, press the **Send Mode** button (1) on the control panel and then the **Additional Settings** button (2) to prompt the Additional settings screen.



Refer to the following table to modify the scanner settings.

MENU ITEM	DESCRIPTION
Attachment	The file name of the scanned document. Up to 64 characters can be entered in this field.
From	Enter your "From" address. If an e-mail can not be sent, notification is returned to this address. This is also the "From" address in your e-mail when you receive an e-mail from the MFP. Up to 64 characters can be entered in this field.
Reply To Address	Enter a "Reply To Address" address if you wish to specify a reply address which is different from the "From" address. Up to 64 characters can be entered in the field.
Color output format	Choose the output format for the document to be scanned in colours from PDF, TIF, JPEG, and MTIF. Also select the compression rate from Low, Medium, High.

MENU ITEM	DESCRIPTION
B&W output format	Turn the multi-level B&W - Grey On or Off. Choose the output format for the document to be scanned in B&W from PDF, TIF, and MTIF. Also select the compression rate from Low, Medium, High.
Resolution	Choose the scanning resolution for the scanned document from a selection of 75, 100, 150, 200, 300, 400, 600 dpi. A higher resolution reproduces the image with greater detail, but requires more disk space.
Manual Feed	Multi-batch document scanning can be enabled. Enable Manual Feed when loading more than 50 pages on the ADF or more than one page on the flatbed.
Document Size	<b>A4</b> , Letter, Legal
Density	-2, -1, <b>0</b> , 1, 2

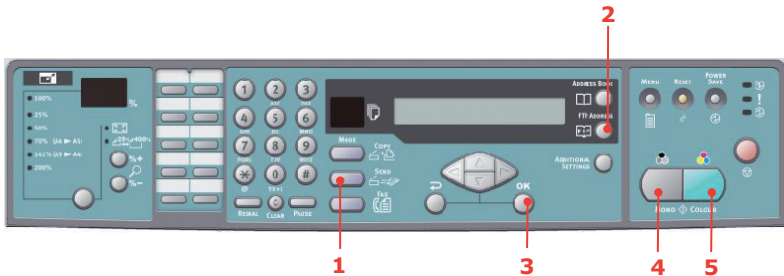
**NOTE**

- > *If you make a mistake during the process, press **Stop** (3) on the control panel to cancel the operation.*
- > *If you stop typing in the From, Subject, To, CC, or BCC fields for three minutes, the LCD-display automatically clears what you have typed.*
- > *This machine allows you to send scanned document(s) to multiple e-mail addresses. Simply add a comma between each address.*
- > *Up to 64 characters can be entered in the "Attachment", "To", "From", "CC", "BCC", and the "Def. Subject" field.*
- > *If you wish to scan a multi-page document and convert it to a single image file, choose your output file format to be MTIF or PDF.*
- > *If the administrator has set the SMTP or POP3 authentication, after sending your scanned document to e-mail addresses, and if no more transmission is required, press **Return** on the control panel to log out of the system. This is to prevent misuse of the user's e-mail account for sending e-mails. If there is no other operation within 3 minutes, the system will log out automatically.*



## SENDING DOCUMENT(S) TO A FILE SERVER

Before sending your document to a file server, profiles should be set up first to speed up the process. A profile contains a list of filing parameters such as your filing protocol, directory, file name and other scanning parameters. Add a new profile by either entering the machine's web page or installing and starting the Network Setup Tool on the CD-ROM supplied.



1. Place your document(s) with text face UP in the ADF or face DOWN on the glass.
2. Press **Send Mode** (1) and **FTP Address** (2) buttons on the control panel. The LCD-display prompts the Filing screen. For example,  
Profile 1  
Profile 2
3. Choose the required profile (filing destination) and press **OK** (3).
4. Press **Mono** (4) to send your document(s) in black and white, or **Colour** (5) to send your document(s) in colour.

---

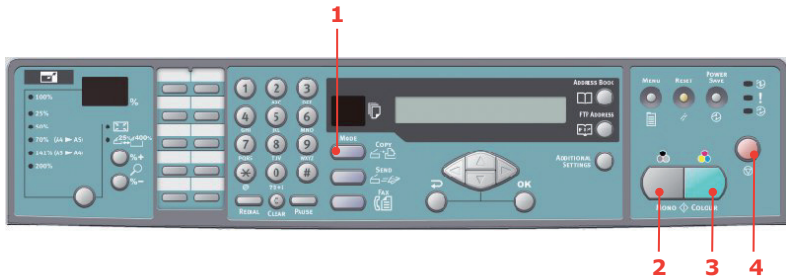
### NOTE

You can create up to 40 filing profiles from the machine's web site or from the Network Setup Tool.

---

# COPYING

## BASIC OPERATION



1. Place your document(s) with text face UP in the ADF or face DOWN on the glass.
2. If required, press the **Copy** Mode button (1) on the control panel to prompt the Copy screen.

---

### NOTE

Factory default setting is Copy mode.

- 
3. Press **Mono** (2) to copy your document(s) in black and white, or **Colour** (3) to copy your document(s) in colour.

---

### NOTE

If you wish to cancel the copy process, press **Stop** (4) to abort the operation.

---

## ADVANCED OPERATION

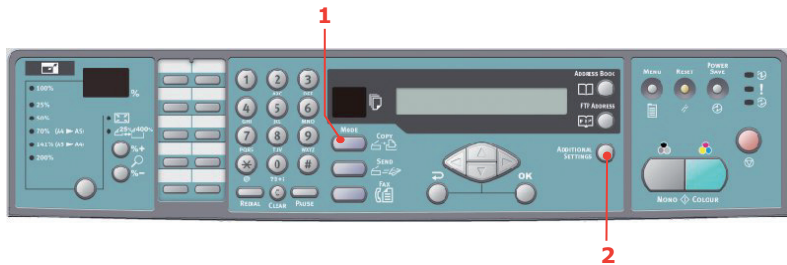
Set up the Printer Options and Media Type (See “Contents of each printer menu” on page 45, and the instructions following).

## Accessing additional settings

### NOTE

For illustration purposes only, the advanced features shown are as accessed from the scanner control panel, they can also be accessed from the web page and the MFP Network Setup Tool.

To use the advanced features, press the **Copy** Mode button (1) on the control panel and then the **Additional Settings** button (2) to prompt the Additional settings screen.



Below is the menu for the “Additional Settings” when all printer options are installed (if there are any changes in the option condition, the settings will return to the these factory default settings).

FUNCTION	DEFAULT SETTING
Density	0
Quality	Speed
Collate	OFF
Duplex	OFF
N-up	1in1
Edge erase	0
Margin shift (R)	0
Margin shift (B)	0
Paper supply	A4
Input tray	Auto

## Quality

- > Speed
- > Text
- > Photo

## Density

- > -2, -1, 0, 1, 2

## Collation:

- > ON - The collate function is always enabled
- > OFF - The collate function is always disabled.

---

### *NOTE*

*When "Collate" is set, the items "N-Up" and "Duplex" are not displayed.*

---

## Duplex:

- > Off
- > Short Edge
- > Long Edge

---

### *NOTE*

*Long edge and Short edge are only available when "Scaling = 100%" and "Quality = Speed".*

---

## N-Up (Paper Save)

- > 1 in 1
- > 4 in 1 (Horizontal)
- > 4 in 1 (Vertical)

---

### *NOTE*

*When "N-Up" is set to other than "1 in 1", the "Collate" item is not displayed.*

---

## Edge Erase

- > 0/6/13/19/25 (mm)

### Margin Shift

- > Right 0/6/13/19/25 (mm)
- > Bottom 0/6/13/19/25 (mm)

### Paper Supply

- > Legal
- > Letter
- > A4
- > A5

### Input Tray

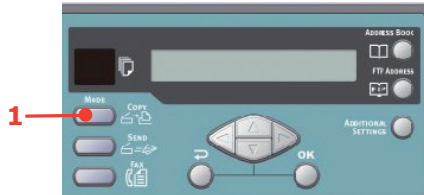
- > Auto
- > Tray 1
- > Tray 2 (Optional)
- > MP

## Changing scaling

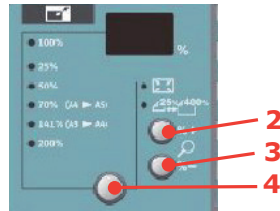
The machine is preset to 100% scaling. If you wish to reduce or enlarge your original, you can apply this feature to enlarge up to 400% or reduce down to 25%.

To reduce or enlarge the original document:

1. Press **Copy** Mode (1) on the Control panel to prompt the Copy screen.



2. Press the **Select** (4) button to choose a preset value from 100%, 25%, 50%, 70%, 141%, 200% and 98% (fit to page).



3. Alternatively, continue to press the **Select** (4) button until the 25%-> 400% LED is illuminated, then press the **%+** (2) or **%-** (3) button to enlarge or reduce your document in 1% increments.

---

### NOTE

1. Press and hold the **%+** or **%-** button to enlarge or reduce your document in 10% increments.
  2. After you have completed copying the machine will automatically return to the preset scale.
-

## Improving copy quality

The machine is preset to "Speed". If required, you can change to "Text" or "Photo" to improve the copy quality.

To change copy quality:

1. Press the **Copy** Mode button on the control panel to prompt the Copy screen.
2. **Press the** Additional Settings button.
3. Using the **UP** arrow, navigate to the Quality setting and press **OK**.
4. Select "Text" or "Photo" and press **OK**.

---

### *NOTE*

*After you have completed your copying, the machine will automatically return to the preset document quality.*

---

## Adjusting density

The machine is preset to the "Normal" level of density. If your original document comes with a lighter or darker contrast, you can improve the quality by using the Adjusting Density feature.

To change density:

1. Press the **Copy** Mode button on the panel to prompt the Copy screen.
2. Press the **Additional Settings** button.
3. Using the **UP** arrow, navigate to the Density setting and press **OK**.
4. Select the required density and press **OK**.

---

### *NOTE*

*After you have completed your copying, the machine will automatically return to the preset value.*

---

## **Increasing copy count**

The machine is preset to a copy count of 1. If you wish to increase the number of copies, select the number of copies with the numeric keypad.

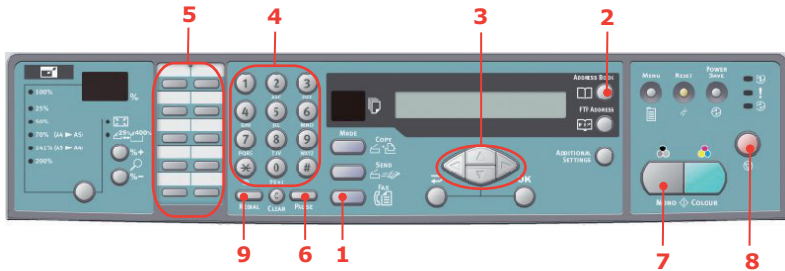
To increase the copy count:

- 1.** Press the **Copy** Mode button on the control panel to prompt the Copy screen.
- 2.** Enter number of copies required with the numeric keypad. The LCD display will confirm the copy count selected.



# FAXING

## BASIC OPERATION



### Searching the phone book

To search the contents of the phone book:

1. Press the **Fax Mode** button (1) on the control panel to prompt the Fax screen.
2. Press the **Address Book** button (2):
  - > once to search in the speed dial entries
  - > twice to search in the group dial entries
3. You can search for specific entries by index number or alphabetically:
  - > press # and enter the first digit of the index number (for example, #2)
  - > enter the first letter of the "Name"
4. Using the **UP/DOWN** arrow keys (3) navigate through the resulting list, and press **OK** to select an entry.
5. Press **Return** to finish selecting and return to the previous screen.

### Sending a fax to a single location

1. Place your document(s) with text face UP in the ADF or face DOWN on the glass.

2. Press the **Fax** Mode button (1) on the control panel to prompt the Fax screen.
  3. Enter the destination fax number by either:
    - > typing in the number using the numeric keypad (4)
    - > pressing the required speed dial button (5)
    - > selecting an entry from the phone book ([See "Searching the phone book" on page 101](#))
- 

*NOTE*

*If the destination fax number has an "extension number", press the **Pause** button (6) to input a "-" between numbers. The machine will insert a 1 second pause when dialling.*

---

4. If required, press **Return** to go back to the fax screen.
  5. Press the **Mono** button (7) to send your document(s).
- 

*NOTE*

1. Fax transmissions are sent in black and white only.
  2. If you make a mistake during the transmission process, press the **STOP** button (8) to cancel the operation.
- 

## **Manual redial**

Press the **Redial** button (9) on the control panel to display the fax number of the last transmission (successful or not), then press the **Mono** button (6) to send a fax to this number.

## **Receiving a Fax**

Your MFP is set to receive faxes automatically, if you wish to change this to manual receive refer to ["Manual receive" on page 72](#) for details.

---

*NOTE*

*If the MFP is sending a fax, then any incoming faxes will be rejected.*

*During other functional operations, for example copying, filing, e-mailing, etc., then any incoming faxes will be stored and printed out when the MFP is available.*

---

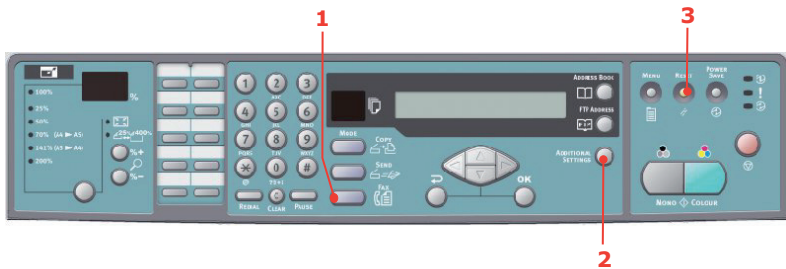
## ADVANCED OPERATION

### Accessing additional settings

**NOTE**

For illustration purposes only, the advanced features shown are as accessed from the scanner control panel, they can also be accessed from the web page and the MFP Network Setup Tool.

To use the advanced features, press the **Fax Mode** button (1) on the control panel and then the **Additional Settings** button (2) to prompt the Additional settings screen.



Below is the menu for the "Additional Settings". If there are any changes made, the settings will return to these factory default settings when you press the **Reset** button (3).

FUNCTION	DEFAULT SETTINGS
Quality	Fine
Density	0
Doc size	A4
Delayed time	Real time
Manual feed	Off
Poll to receive	Off
Overseas Mode	Off

## Changing fax quality

The machine is preset to "Fine". If required, you can select "ExtraFine" or "Photo" to improve the fax quality or you can reduce the fax quality by selecting "Standard".

To change fax quality:

1. Press the **Fax** Mode button on the control panel to prompt the fax screen.
2. Press the **Additional Settings** button and press **OK**.
3. Select the appropriate quality setting and press **OK**.
4. Press **Return** to exit the menu and return to the fax screen.

---

### *NOTE*

*After you have completed your fax operation, the machine will automatically return to the preset quality.*

---

## Adjusting density

The machine is preset to the "Normal" level of density. If your original document comes with a lighter or darker contrast, you can improve the quality by using the Adjusting Density feature.

To change density:

1. Press the **Fax** Mode button on the control panel to prompt the Fax screen.
2. Press the **Additional Settings** button.
3. Using the **DOWN** arrow key, navigate to the Density setting and press **OK**.
4. Select the required density and press **OK**.
5. Press **Return** to exit the menu and return to the fax screen.

---

### *NOTE*

*After you have completed your fax operation, the machine will automatically return to the preset value.*

---

## Document size

The machine is preset to "A4" size.

To change document size:

1. Press the **Fax** Mode button on the control panel to prompt the Fax screen.
2. Press the **Additional Settings** button.
3. Using the **DOWN** arrow key, navigate to the Doc Size setting and press **OK**.
4. Select the required size setting and press **OK**.
5. Press **Return** to exit the menu and return to the fax screen.

---

### *NOTE*

*After you have completed your fax operation, the machine will automatically return to the preset value.*

---

## Delayed send

The delayed send function allows you to fax documents at a specific date and time.

To set the fax to delay send:

1. Place your document(s) with text face UP in the ADF or face DOWN on the glass.
2. Press the **Fax** Mode button on the control panel to prompt the Fax screen.
3. Press the **Additional Settings** button.
4. Using the **DOWN** arrow key, navigate to the Delayed Send setting and press **OK**.
5. Enter the required send date and time and press **OK**.
6. Press **Return** to exit the menu and return to the fax screen.
7. Press **Mono** to scan and store your document ready for sending at the specified time.

## Manual feed

If you need to send multiple sets of documents from the ADF or flatbed, enable the "Manual Feed" option.

To set the fax to manual feed:

1. Place your document(s) with text face UP in the ADF or face DOWN on the glass.
2. Press the **Fax** Mode button on the control panel to prompt the Fax screen.
3. Press the **Additional Settings** button.
4. Using the **DOWN** arrow key, navigate to the Manual Feed setting and press **OK**.
5. Select "ON" and press **OK**.
6. Press **Return** to exit the menu and return to the fax screen.
7. Press **Mono** to start scanning the first document.

Once the current scanning operation is complete, the LCD will display "To scan another page press select/OK". If you have further documents to scan press **OK** to continue scanning or press **Mono** to continue sending the fax.

## Polling receive

Polling is a process in which documents are loaded into a machine, and the machine is then set to wait for a call from a remote location before faxing. If the remote machine is set to hold data in memory for transmission to a local machine when contacted, the procedure is called "polling receive".

To set the fax to poll receive:

1. Press the **Fax** Mode button on the control panel to prompt the Fax screen.
2. Press the **Additional Settings** button.
3. Using the **DOWN** arrow key, navigate to the Polling Receive setting and press **OK**.
4. Select "ON" and press **OK**.

5. Press **Return** to exit the menu and return to the fax screen.
6. Enter the desired location using the Speed Dial keys or the numeric keypad.
7. Press **Mono** to begin polling.

### **Overseas mode**

To avoid transmission problems when faxing overseas, set the fax to overseas mode:

1. Place your document(s) with text face UP in the ADF or face DOWN on the glass.
2. Press the **Fax** Mode button on the control panel to prompt the Fax screen.
3. Press the **Additional Settings** button.
4. Using the **DOWN** arrow key, navigate to the Overseas Mode setting and press **OK**.
5. Select "ON" and press **OK**.
6. Press **Return** to exit the menu and return to the fax screen.
7. Press **Mono** to start sending the document(s).

---

#### *NOTE*

*After you have completed your fax operation, the machine will automatically return to the preset value.*

---

### **Broadcasting**

You can send a fax to multiple locations at the same time:

1. Place your document(s) with text face UP in the ADF or face DOWN on the glass.
2. Press the **Fax** Mode button on the control panel to prompt the Fax screen.
3. Enter the destination fax numbers by either:
  - > typing in the number using the numeric keypad
  - > pressing the required speed and/or group dial buttons

- > selecting entries from the phone book (See "Searching the phone book" on page 101)

Press **OK** after entering each fax number.

---

*NOTE*

*You can send to a maximum 100 different locations.*

*If a destination fax number has an "extension number", press the **Pause** button to input a "-" between numbers. The machine will insert a 1 second pause when dialling.*

---

4. Press **Return** to exit the menu and return to the fax screen.
  5. Press **Mono** to start sending the document(s).
- 

*NOTE*

*If you make a mistake during the transmission process, press the **STOP** button to cancel the operation.*

---

## **CANCEL FAX JOBS**

If you no longer require a stored fax job, you can cancel and remove it from your MFP's memory.

---

*NOTE*

*Requires an Administrator password to perform this function.*

---

1. Press the **Menu** button on the control panel to prompt the menu settings screen.
2. Using the **UP** arrow key, navigate to Fax Settings and press **OK**.
3. Using the **UP** arrow key, navigate to the Cancel Fax Jobs and press **OK**.
4. At the prompt, enter the admin password and press **OK**.
5. Using the **UP/DOWN** arrow keys, navigate through the list of fax jobs.
6. Press **OK** to select the required job(s) for deletion.  
The selected row(s) will be marked with an "\*".



7. Press **Return** to finish selection and return to the upper screen.
8. Press **OK** to confirm deletion of fax jobs or press **Stop** to cancel the operation.

### **FAX JOB REPORTS**

1. Press the **Menu** button on the control panel to prompt the menu settings screen.
2. Using the **UP** arrow key, navigate to Fax Settings and press **OK**.
3. Using the **UP** arrow key, navigate to the Reports and press **OK**.
4. Select required report and press **OK** to print:

- > Activity report
- > Transmission report

The transmission report can be modified with the following options available: **Yes** / Error Only / Off.

- > Broadcast report

# SCANNING

## SCANNER OPERATION

1. Start your scanning application.
2. Select the **File** menu and choose **Select Source**.

If the Select Source command is not available on the File menu, see your application's user's guide to determine how the TWAIN link is used. A dialogue box with a list of scanning sources appears.

3. Select "ES2032 MFP".

You need to select the source only once, unless you want to choose another scanner.

4. Place the document face **DOWN** on the document glass or face **UP** in the ADF.

5. Select the **File** menu and choose **Acquire**.

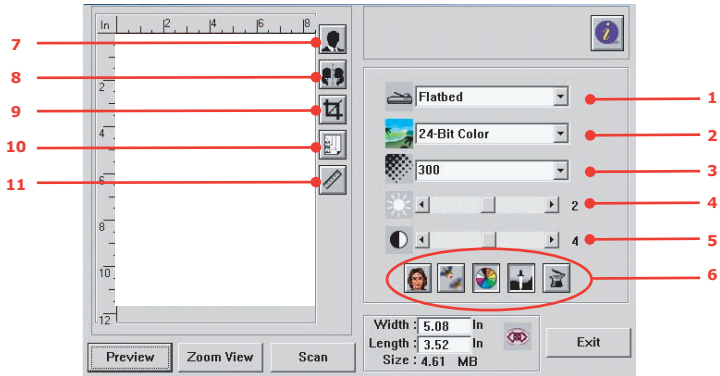
A dialogue box containing scanning features appears.



6. Select the scanning method you want to use from the **Scan Method** (1) drop-down menu.
7. Select the mode you want to use for your scans from the **Image Type** (2) drop-down menu.
8. Select a scanning resolution from the **Resolution** (3) drop-down menu.

9. Select the setting for the scanning features (e.g. Sharpen, Descreen, etc.) that you want to use (see “enhancing your image” later in this Chapter).
10. Click on the **Preview** or **Scan** button to preview or scan you documents.

## A LOOK AT THE USER INTERFACE



- |                         |   |
|-------------------------|---|
| 1. Scan Method          | Choice: ADF/Multi-page, Flatbed.  |
| 2. Image type           | Choice: Black & White, 8-Bit Grey, 24-Bit Color, Half tone.   |
| 3. Resolution           | Choice: 50, 72, 100, 144, 150, 200, 300, 600, 1200, 2400, 4800 (dpi).   |
| 4. Brightness           | Adjust the brightness level from -100 to +100.  |
| 5. Contrast             | Adjust the contrast level from -100 to +100.  |
| 6. Further tools        | Descreen, Sharpen, Colour Adjustment, Auto Level, Advanced Settings.  |
| 7. Invert               | Reverse the colour of the scanned image.  |
| 8. Mirror Function      | Flip the image.   |
| 9. Preview Auto Area    | Resize the scanned area.  |
| 10. Paper Size          | Select the paper size from Card 4" x 2.5", Photo 5" x 3.5", Photo 3.5" x 5", Photo 4" x 6", Photo 6" x 4", A5, B5, A4, Letter, Legal, or scanner maximum. |
| 11. Unit of Measurement | Choice: cm, Inch, and Pixel.  |

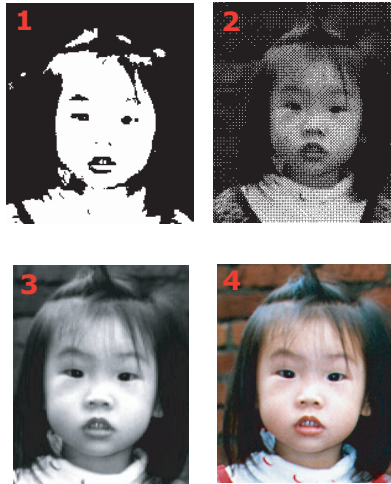
## USING THE BASIC FEATURES

### Scan method

Choice:

- > Flatbed: Select this setting if you need to scan photo, or newspaper clippings.
- > ADF/Multipage: Select this setting if you need to scan multi-page document from the automatic document feeder (ADF).

### Image type



1. Choose B&W if your original contains only B&W text, pencil or ink sketch.
2. Halftones are the reproduction of an image that gives the illusion of grey. An example of a halftone image would be the pictures you see in newspapers.
3. 8-Bit Grey images contain actual shades of grey.
4. Choose 24-Bit Color (input) if you wish to scan a colour image.

## **Resolution**

The correct resolution will reproduce a clear image with good details. The resolution is measured in dots per inch (dpi).

---

### *NOTE*

*An A4 size color image scanned at 300 dpi at True Color mode consumes approximately 25 MB of disk space. A higher resolution (usually means over 600 dpi) is only recommended when you need to scan a small area in True Color mode.*

---

## **Adjusting the brightness and contrast**

### **1. Brightness**

Adjusts the lightness or darkness of an image. The higher the value, the brighter the image.

### **2. Contrast**

Adjusts the range between the darkest and the lightest shades in the image. The higher the contrast, the larger the greyscale.

## **Enlarging previewed image (zoom)**

Enlarge your previewed image to the maximum of the preview window.

---

### *NOTE*

*This function only enlarges your preview image. This does not enlarge the actual image.*

---

## **Inverting and selecting your image**

### **1. Invert**

The invert command reverses the brightness and the color in the image. For color images, each pixel will be changed into its complementary color when inverted.

### **2. Mirror function**

Horizontally reverses the image.

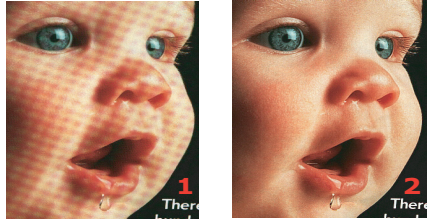
### 3. Auto select image

Automatically set the whole image as your scan area. (Or you may resize the area by diagonal "drag and drop".)

#### Enhancing the image

##### 1. Descreen

Eliminates the moire\* patterns commonly found in printed matter. (1) Before; (2) After.



\* Moire pattern: An undesirable pattern in a color printing resulting from incorrect screen angle of overprinting halftone.

##### 2. Sharpen

Sharpen the scanned image. (1) Before; (2) After.



##### 3. Colour adjustment

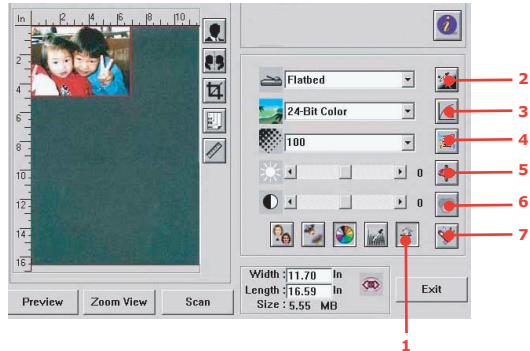


Adjusts the colour quality of the image so that it comes close to the original. This function uses default parameters to adjust the image. (1) Before; (2) After.

##### 4. Auto level

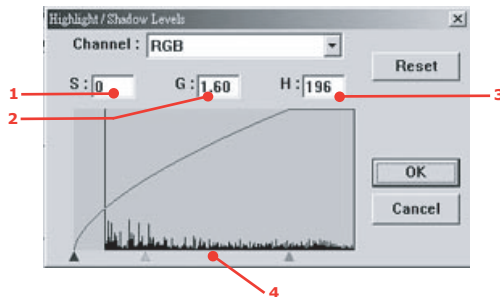
Automatically adjusts the highlight and shadow areas of the scanned image to optimise the following:

## Using the advanced features



1. Click the Switch button (1) to select the Advanced Settings bar (2 to 7). Advanced settings include Highlight/Shadow, Hue/Saturation/Lightness, Curve, Color Balance, Color Drop-out.

## 2. Highlight/shadow levels



Highlight refers to the lightest point in a scanned image while shadow refers to the darkest point. Using Highlight and Shadow tools together allows you to extend the range of colour and reveal more details in a gray or colour image.

**Shadow** (1): The darkest point of an image.

**Gamma** (2): The middle tones of the image.

**Highlight** (3): The lightest point of an image.

**Pointer** (4): Move to change the value.

When the value of gamma changes, the image changes as shown below.



1. Gamma value: 1.0;
2. Gamma Value: 1.4;
3. Gamma Value: 2.0

When the value of highlight and shadow change, the image changes as shown below.

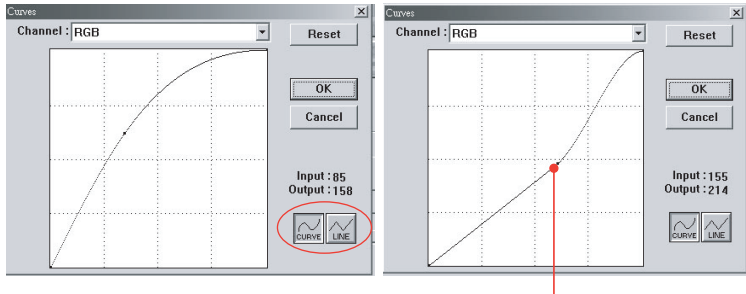


1. Highlight: 255/Shadow: 0(Normal);
2. Highlight: 210/Shadow: 10;
3. Highlight: 200/Shadow: 0;
4. Highlight: 255/Shadow: 50



### 3. Adjusting the curve

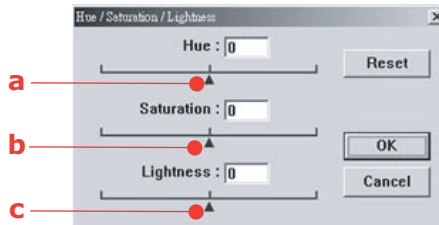
Adjusts the midtones of the image without dramatically altering their lightest and darkest areas.



When the curve is moved up or down, the image will become darker or lighter.

### 4. Colour hue/saturation/lightness

Improve an image by changing the level of hue/saturation/lightness.



#### (a) Hue

Adjust the hue by moving the triangle to the right or left. (Note the level of colour intensity will change simultaneously when the hue adjustment is made).

#### (b) Saturation

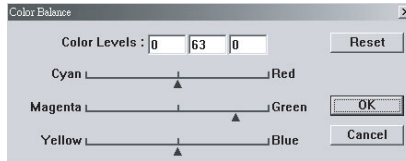
Move the triangle to the right to increase the saturation level or to the left to decrease the level. The level of saturation determines whether the colour is pale or rich.

#### (c) Lightness

Increase the lightness by moving the triangle to the right or to the left to decrease the lightness.

## 5. Using colour balance

The Colour Balance control allows you to set optimal image colour quality.

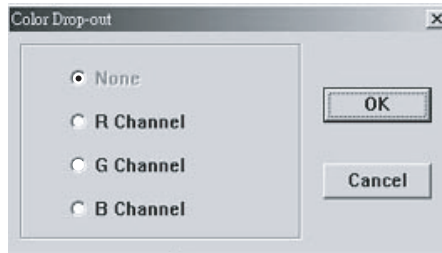


You can either move the relevant pointer toward a colour (in the above example 63% green has been selected) or, if known, enter the figure in the box at the top.

The first box refers to the Cyan/Red percentage content, the second to Magenta/Green and the third to Yellow/Blue.

## 6. Colour drop-out

Click the button and the dialogue box below will be displayed. This allows you to remove one of the R (Red), G (Green), or B (Blue) colour channels. This function is particularly useful when converting to text using OCR software.



---

### NOTE

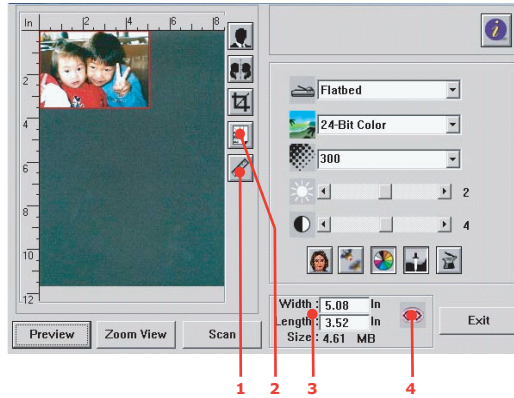
*This function supports only black/white and grey images.*

---

## 7. Using custom settings

Click on the Custom Settings button to access a dialogue box where you can save your scan and configuration settings. There are two tabs: Scan Settings and Configuration Settings.

## OTHER TOOLS



- 1.** Measuring Unit: Indicates the measuring system in use. By clicking the button, you can change the measuring unit.  
Choice: Inch, cm, Pixel.
- 2.** Paper Size Choice: Card 4" x 2.5", Photo 5" x 3.5", Photo 3.5" x 5", Photo 4" x 6", Photo 6" x 4", B5, A5, A4, Letter and Scanner Maximum.
- 3.** Image Size: Display image size for the scanned area.
- 4.** Lock Image: Fix the output width and height.

# MAINTENANCE

## CONSUMABLE LIFE EXPECTANCY

As a guide, the life expectancy of these items is:

> **Toner**

Starter cartridge:

The machine is shipped with sufficient black, cyan, magenta and yellow toner for 2,250 A4 pages, of which 750 A4 pages of toner are used to charge the image drum (1,500 A4 pages remaining).

Replacement cartridge:

A4 PAGE COVERAGE (OF THIS COLOUR)	2.5%	5.0%	10%
Black	12,000	6,000	3,000
Cyan	10,000	5,000	2,500
Magenta	10,000	5,000	2,500
Yellow	10,000	5,000	2,500

---

**NOTE:**

*When the LCD display indicates TONER LOW, or if print appears faded, first open the top cover and try tapping the cartridge a few times to evenly distribute the toner powder. This will enable you to obtain the best "yield" from your toner cartridge.*

---

> **Image drum:** Approximately 20,000 pages (calculated on typical office usage where 20% of printing is 1 page only, 30% is 3 page documents and 50% is print runs of 15 pages or more).

> **Transfer belt:** Approximately 60,000 A4 pages.

> **Fuser:** Approximately 60,000 A4 pages.

## CONSUMABLE ORDER DETAILS

ITEM	LIFE	ORDER NO.
Toner, black	6,000 A4 @ 5%*	43324432
Toner, cyan	5,000 A4 @ 5%*	43324431
Toner, magenta	5,000 A4 @ 5%*	43324430
Toner, yellow	5,000 A4 @ 5%*	43324429
Image drum, black	20,000 A4 pages*	01186904
Image drum, cyan	20,000 A4 pages*	01186903
Image drum, magenta	20,000 A4 pages*	01186902
Image drum, yellow	20,000 A4 pages*	01186901
Fuser	60,000 A4 pages*	01186201
Transport belt	60,000 A4 @ 3/job	01186301

\* Average life: 20% pages at continuous print, 50% pages at 3 pages per job and 30% pages at 1 page per job.

Only use genuine Oki Original consumables to ensure the best quality and performance from your hardware. Non Oki Original products may adversely affect your printer's performance and invalidate your warranty.

## REPLACING CONSUMABLE ITEMS

### TONER CARTRIDGE REPLACEMENT

#### CAUTION!

**To avoid toner wastage and possible toner sensor errors, do not change the toner cartridge(s) until "TONER EMPTY" is displayed.**

The toner used in this machine is a very fine dry powder. It is contained in four cartridges: one each for cyan, magenta, yellow and black.

Have a sheet of paper handy so that you have somewhere to place the used cartridge while you install the new one.

Dispose of the old cartridge responsibly, inside the pack that the new one came in. Follow any regulations, recommendations, etc., which may be in force concerning waste recycling.

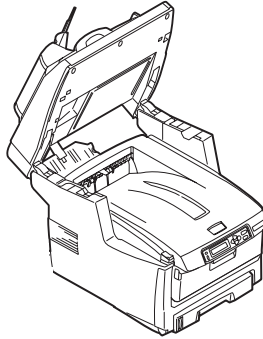
If you do spill any toner powder, lightly brush it off. If this is not enough, use a cool, damp cloth to remove any residue.

Do not use hot water, and never use solvents of any kind. They will make stains permanent.

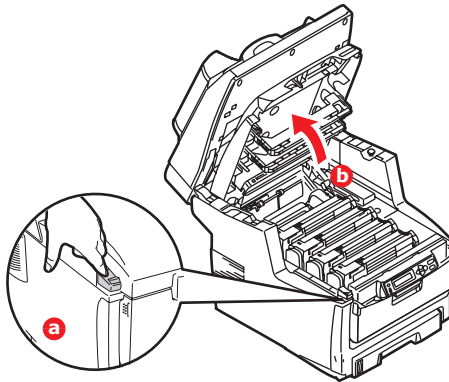
#### WARNING!

**If you inhale any toner or get it in your eyes, drink a little water or bathe your eyes liberally in cold water. Seek medical attention immediately.**

1. Gently raise the scanner.



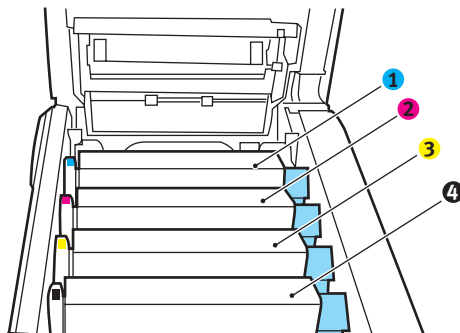
2. Press the cover release (a) and open the MFP's top cover (b) fully.



## **WARNING!**

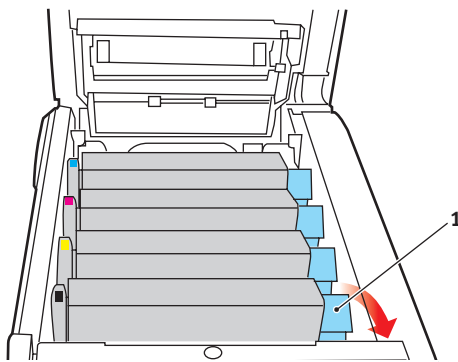
**If the MFP has been powered on, the fuser may be hot. This area is clearly labelled. Do not touch.**

**3.** Note the positions of the four cartridges.



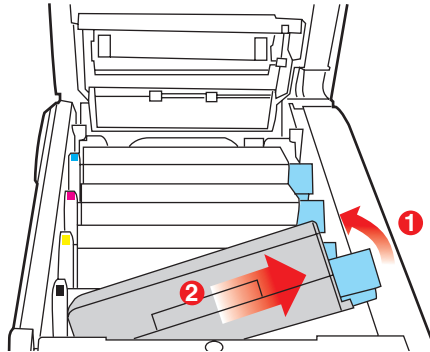
- |                     |                      |
|---------------------|----------------------|
| 1. Cyan cartridge   | 2. Magenta cartridge |
| 3. Yellow cartridge | 4. Black cartridge   |

- (a) Pull the coloured toner release lever (1) on the cartridge to be replaced fully towards the front of the MFP.





4. Lift the right-hand end of the cartridge and then draw the cartridge to the right to release the left-hand end as shown, and withdraw the toner cartridge out of the MFP.



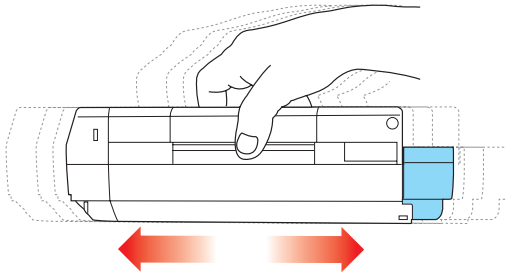
5. Put the cartridge down gently onto a piece of paper to prevent toner from marking your furniture.

### CAUTION!

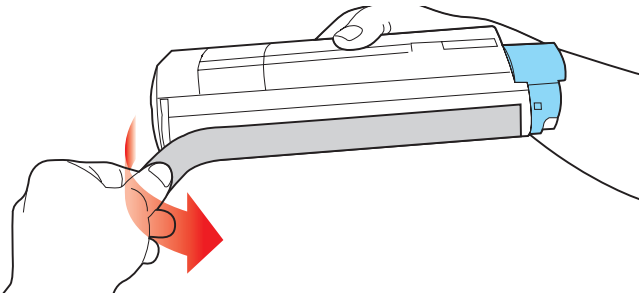
**The green image drum surface is very delicate and light sensitive. Do not touch it and do not expose it to normal room light for more than 5 minutes. If the toner cartridges need to be out of the MFP for longer than this, please lower the top cover. Never expose the drum to direct sunlight or very bright room lighting.**

6. Remove the new cartridge from its box but leave its wrapping material in place for the moment.

7. Gently shake the new cartridge from end to end several times to loosen and distribute the toner evenly inside the cartridge.

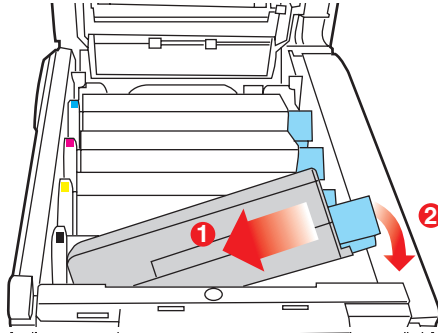


8. Remove the wrapping material and peel off the adhesive tape from the underside of the cartridge.

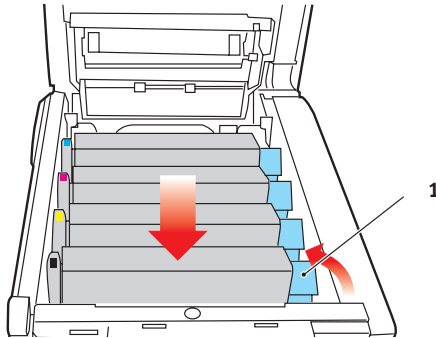


9. Holding the cartridge by its top centre with the coloured lever to the right, lower it into the printer over the image drum unit from which the old cartridge was removed.

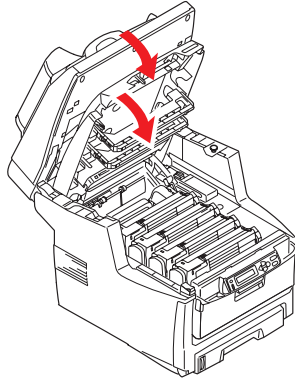
- 10.** Insert the left end of the cartridge into the top of the image drum unit first, pushing it against the spring on the drum unit, then lower the right end of the cartridge down onto the image drum unit.



- 11.** Pressing gently down on the cartridge to ensure that it is firmly seated, push the coloured lever (1) towards the rear of the MFP. This will lock the cartridge into place and release toner into the image drum unit.



12. Close the top cover and press down firmly at both sides so that the cover latches closed.
13. Gently lower the scanner.



## IMAGE DRUM REPLACEMENT

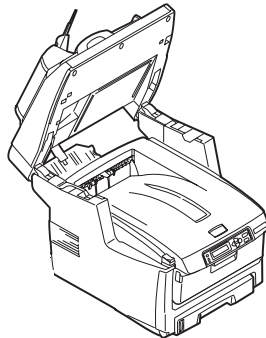
### CAUTION!



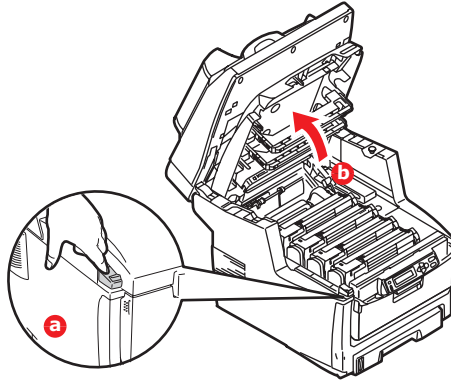
**Static sensitive devices, handle with care.**

The MFP contains four image drums: cyan, magenta, yellow and black.

1. Gently raise the scanner.



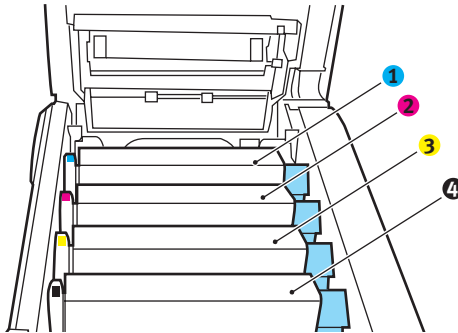
2. Press the cover release (a) and open the MFP's top cover (b) fully.



## WARNING!

**If the MFP has been powered on, the fuser will be hot. This area is clearly labelled. Do not touch.**

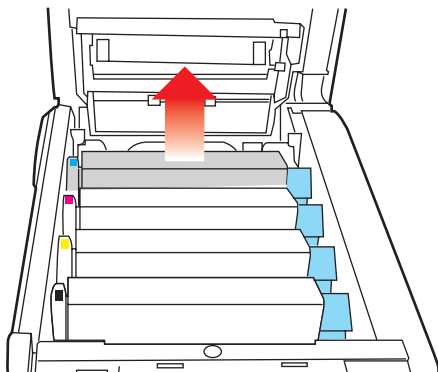
3. Note the positions of the four cartridges.



1. Cyan cartridge  
3. Yellow cartridge

2. Magenta cartridge  
4. Black cartridge

4. Holding it by its top centre, lift the image drum, complete with its toner cartridge, up and out of the MFP.

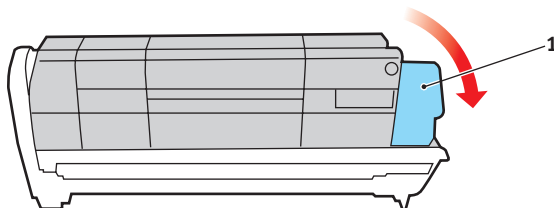


5. Put the cartridge down gently onto a piece of paper to prevent toner from marking your furniture and to avoid damaging the green drum surface.

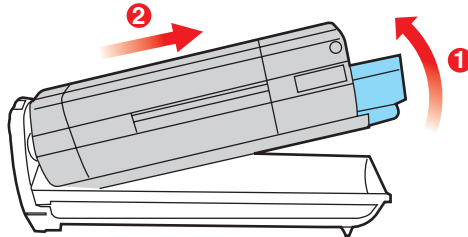
### CAUTION!

**The green image drum surface at the base of the cartridge is very delicate and light sensitive. Do not touch it and do not expose it to normal room light for more than 5 minutes. If the drum unit needs to be out of the MFP for longer than this, please wrap the cartridge inside a black plastic bag to keep it away from light. Never expose the drum to direct sunlight or very bright room lighting.**

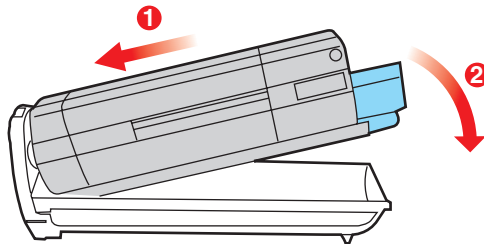
6. With the coloured toner release lever (1) to the right, pull the lever towards you. This will release the bond between the toner cartridge and the image drum cartridge.



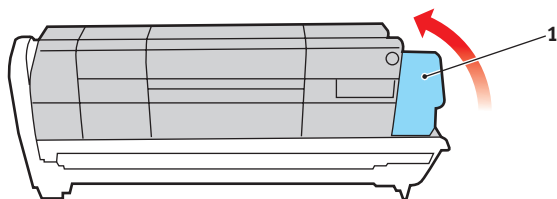
7. Lift the right-hand end of the cartridge and then draw the cartridge to the right to release the left-hand end as shown, and withdraw the toner cartridge out of the image drum cartridge. Place the cartridge on a piece of paper to avoid marking your furniture.



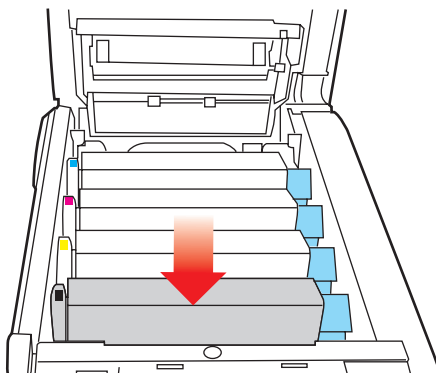
8. Take the new image drum cartridge out of its packaging and place it on the piece of paper where the old cartridge was placed. Keep it the same way round as the old unit. Pack the old cartridge inside the packaging material for disposal.
9. Place the toner cartridge onto the new image drum cartridge as shown. Push the left end in first, and then lower the right end in. (It is not necessary to fit a new toner cartridge at this time unless the remaining toner level is very low.)



- 10.** Push the coloured release lever (1) away from you to lock the toner cartridge onto the new image drum unit and release toner into it.



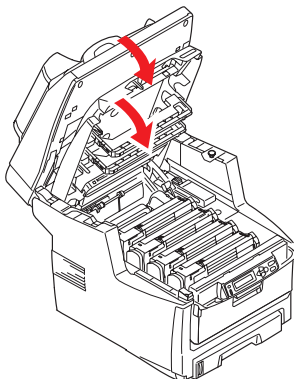
- 11.** Holding the complete assembly by its top centre, lower it into place in the MFP, locating the pegs at each end into their slots in the sides of the MFP cavity.



- 12.** Close the top cover and press down firmly at both sides so that the cover latches closed.



13. Gently lower the scanner.



---

**NOTE**

*If you need to return or transport this product for any reason, please make sure you remove the image drum unit beforehand and place in the bag provided. This is to avoid toner spillage.*

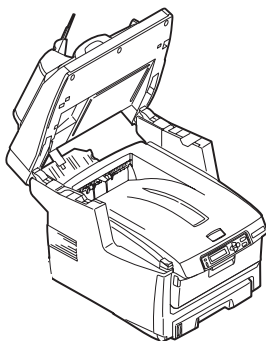
---

## **TRANSFER BELT REPLACEMENT**

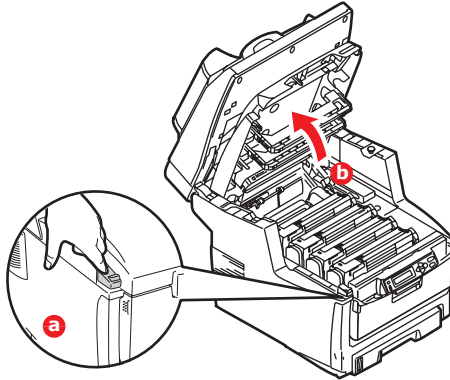
The belt unit is located under the four image drums. This unit requires replacement approximately every 60,000 pages.

Switch off the MFP and allow the fuser to cool for about 10 minutes before opening the cover.

1. Gently raise the scanner.



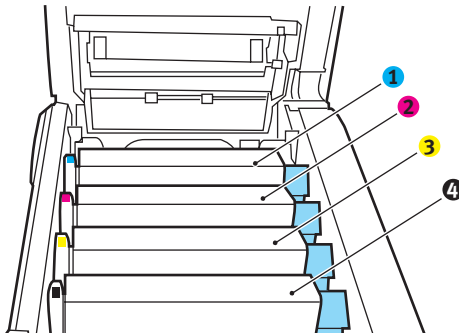
2. Press the cover release (a) and open the MFP's top cover (b) fully.



## WARNING!

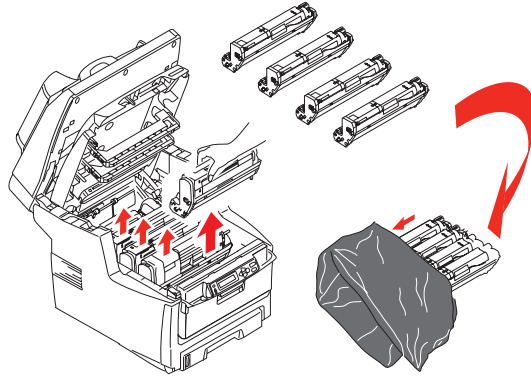
**If the MFP has been powered on, the fuser will be hot. This area is clearly labelled. Do not touch.**

3. Note the positions of the four cartridges. It is essential that they go back in the same order



- |                     |                      |
|---------------------|----------------------|
| 1. Cyan cartridge   | 2. Magenta cartridge |
| 3. Yellow cartridge | 4. Black cartridge   |

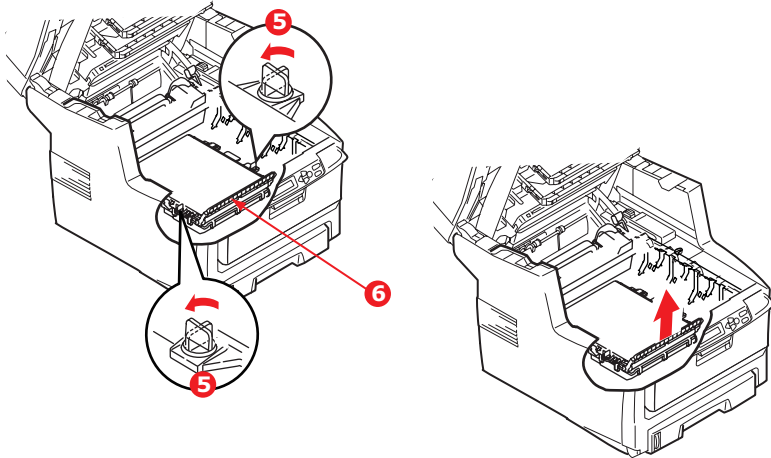
4. Lift each of the image drum units out of the MFP and place them in a safe place away from direct sources of heat and light.



### CAUTION!

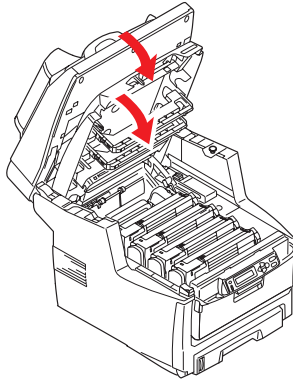
**The green image drum surface at the base of each cartridge is very delicate and light sensitive. Do not touch it and do not expose it to normal room light for more than 5 minutes. If the drum unit needs to be out of the MFP for longer than this, please wrap the cartridge inside a black plastic bag to keep it away from light. Never expose the drum to direct sunlight or very bright room lighting.**

5. Locate the two fasteners (5) at each side of the belt and the lifting bar (6) at the front end.



6. Turn the two fasteners 90° to the left. This will release the belt from the MFP chassis.
7. Pull the lifting bar (6) upwards so that belt tilts up towards the front, and withdraw the belt unit from the MFP.
8. Lower the new belt unit into place, with the lifting bar at the front and the drive gear towards the rear of the MFP. Locate the drive gear into the gear inside the printer by the rear left corner of the unit, and lower the belt unit flat inside the MFP.
9. Turn the two fasteners (5) 90° to the right until they lock. This will secure the belt unit in place.
10. Replace the four image drums, complete with their toner cartridges, into the printer in the same sequence as they came out: cyan (nearest the rear), magenta, yellow and black (nearest the front).

11. Close the top cover and press down firmly at both sides so that the cover latches closed.
12. Gently lower the scanner.



## FUSER REPLACEMENT

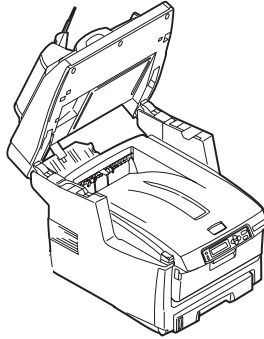
The fuser is located inside the MFP just behind the four image drum units.

### **WARNING!**

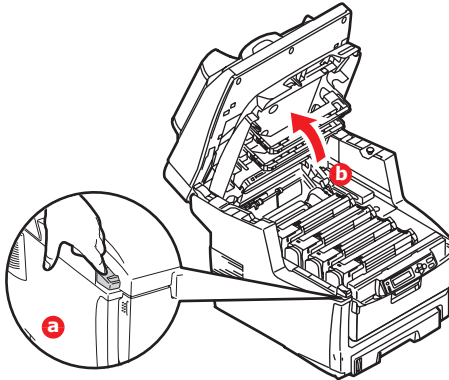
**If the MFP has recently been powered on, some fuser components will be very hot. Handle the fuser with extreme care, holding it only by its handle, which will only be mildly warm to the touch. A warning label clearly indicates the area.**

Switch off the MFP and allow the fuser to cool for about 10 minutes before opening the cover.

1. Gently raise the scanner.

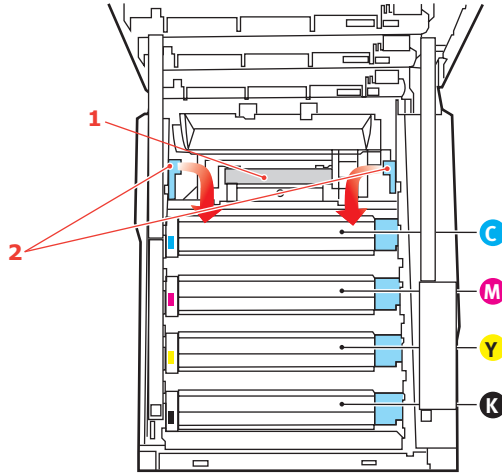


2. Press the cover release (a) and open the MFP's top cover (b) fully.

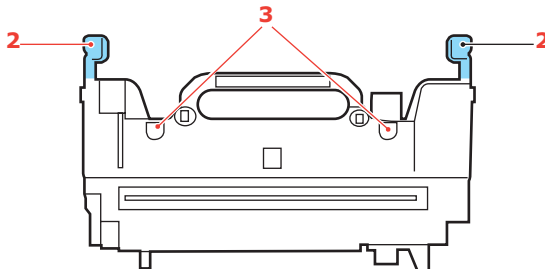


3. Identify the fuser handle (1) on the top of the fuser unit.

4. Pull the two fuser retaining levers (2) towards the front of the printer so that they are fully upright.

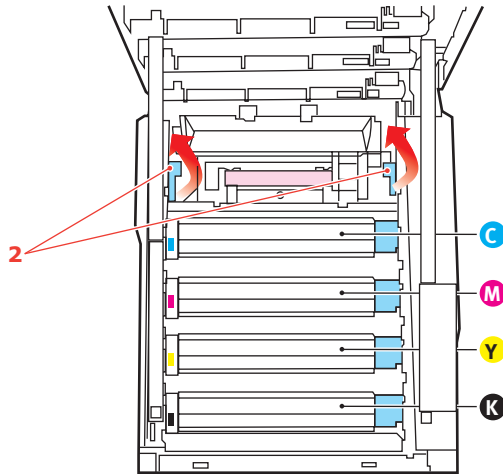


5. Holding the fuser by its handle (1), lift the fuser straight up and out of the MFP. If the fuser is still warm, place it on a flat surface which will not be damaged by heat.
6. Remove the new fuser from its packaging and remove the transit material.
7. Holding the new fuser by its handle, make sure that it is the correct way round. The retaining levers (2) should be fully upright, and the two locating lugs (3) should be towards you.

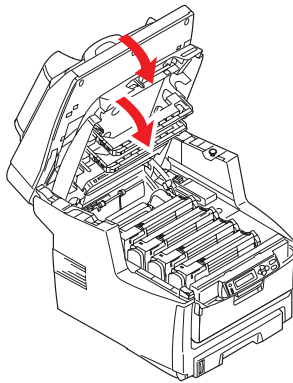


8. Lower the fuser into the MFP, locating the two lugs (3) into their slots in the metal partition which separates the fuser area from the image drums.

9. Push the two retaining levers (2) towards the rear of the MFP to lock the fuser in place.



10. Close the top cover and press down firmly at both sides so that the cover latches closed.
11. Gently lower the scanner.



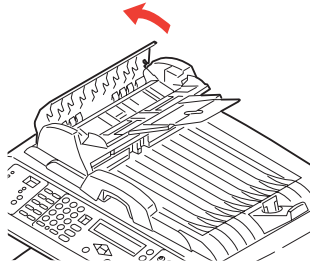


## CLEANING

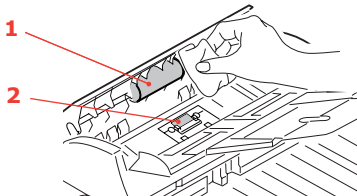
### ....THE ADF

From time to time the pad assembly and feed rollers may become contaminated with ink, toner particles or paper dust. In this case the scan module may not feed documents smoothly. If this occurs, follow the cleaning procedure below.

1. Moisten a cotton swab with isopropyl alcohol (95%).
2. Carefully pull open the ADF front cover.



3. Wipe the feed roller (1) by moving the swab from side to side.



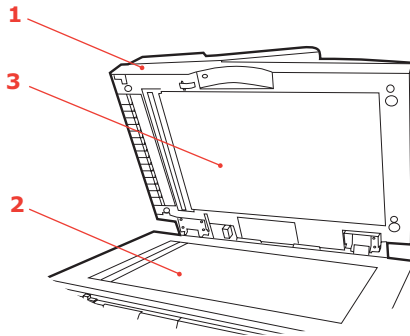
4. Rotate the roller forward with your finger and repeat step 3 until the roller is clean. Be careful not to snag or damage the springs near the pad (2).
5. Wipe the pad (2) from top to bottom, being careful not to hook the springs.
6. Close the ADF front cover.

## ....THE DOCUMENT GLASS

The document glass needs to be cleaned occasionally to ensure optimum image quality and performance.

Clean the glass as follows.

1. Open the document cover (1).



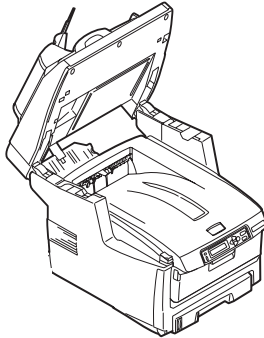
2. Moisten a soft, clean cloth with isopropyl alcohol (95%).
3. Gently wipe the document glass (2) and the white sheet (3) on the under side of the document cover to remove dust or any toner particles.
4. Close the document cover (1).

## ....THE LED HEAD

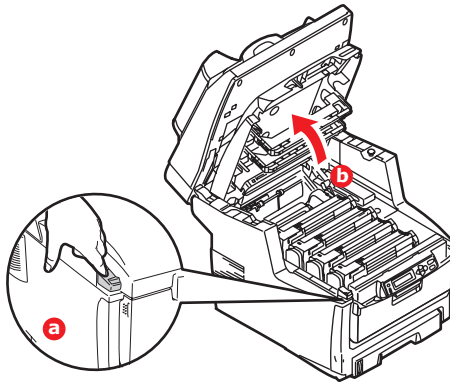
Clean the LED head when printing does not come out clearly, has white lines or when text is blurred.

There is no need to switch the MFP off to clean the lens.

1. Gently raise the scanner.



2. Press the cover release (a) and open the MFP's top cover (b) fully.



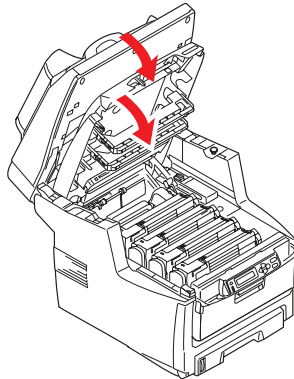
3. Gently wipe the LED head surface with LED lens cleaner or soft tissue.



### CAUTION!

**Do not use methyl alcohol or other solvents on the LED head as damage to the lens surface will occur.**

4. Close the top cover and press down firmly at both sides so that the cover latches closed.
5. Gently lower the scanner.



## INSTALLING UPGRADES

This section explains how to install optional equipment into your MFP. This includes:

- > additional RAM memory
- > 40GB hard disk drive
- > additional paper tray
- > storage cabinet

### ORDER CODES

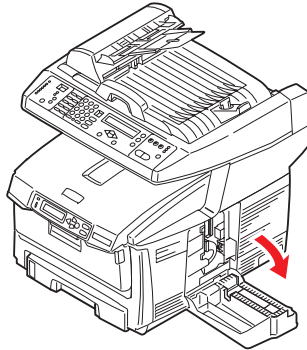
OPTION	ORDER CODE
RAM memory: 256Mb	01182903
40GB HDD	01186001
Additional paper tray	01208601
Storage cabinet	09004619

## MEMORY UPGRADE

This section explains how to install additional RAM memory into your MFP as a memory upgrade.

The model comes equipped with 256MB of main memory. This can be upgraded with an additional memory board containing 256MB, giving a total memory capacity of 512MB.

1. Switch the MFP off and disconnect the AC power cable.
2. Pull open the access panel on the side of the machine.

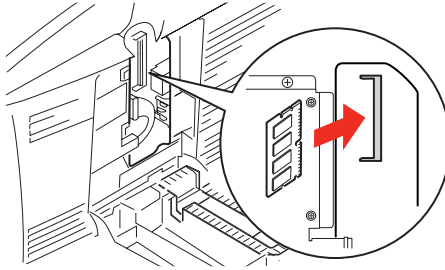


3. Carefully remove the new memory board from its wrapping. Try to handle the board only by its short edges, avoiding contact with any metal parts as far as possible. In particular, avoid touching the edge connector.
4. Notice that the memory board has a small cutout in the edge connector, which is closer to one end than the other.

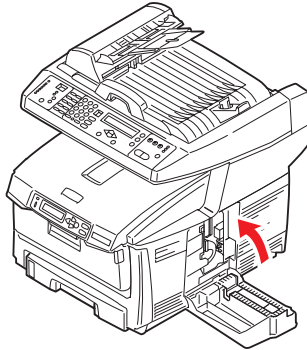


5. Identify the RAM expansion slot (1) in the machine.
6. Hold the new memory board by its short edges, so that the edge connector faces in towards the RAM expansion slot, and the small cutout is closer to the bottom of the machine.

7. Gently push the board into the RAM expansion slot until it latches in and will not go any further.

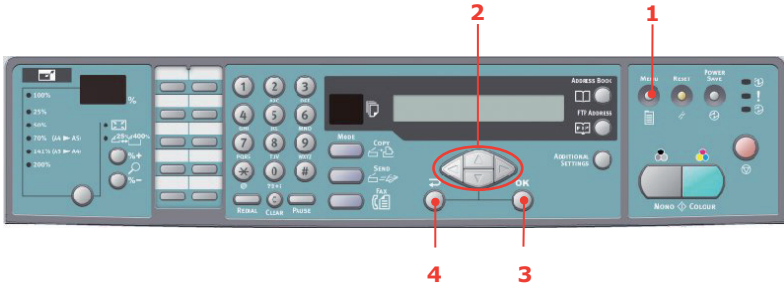


8. Close the access panel, pressing firmly at top to latch it closed.



9. Reconnect the AC power cable and switch the MFP on.

**10.** When the MFP is ready, print a menu map as follows:



- (a) Press **Menu** (1) on the scanner control panel.
- (b) Using the **UP/DOWN** arrow keys (2), navigate to the Report Print menu and press **OK** (3) once for the menu map.
- (c) Press **OK** (3) again to print the menu map.
- (d) When the menu map is printed, press **Return** (4) to exit the menu system.

**11.** Examine the first page of the menu map.

Near the top of the page, between the two horizontal lines, you will see the current MFP configuration. This list contains the figure for total memory size.

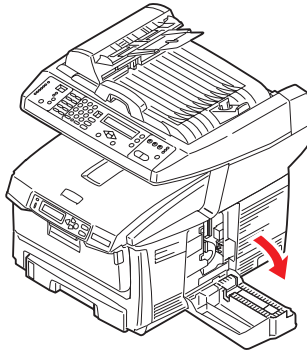
This should indicate the total memory now installed, which should be the size of memory board you have installed plus 256MB.



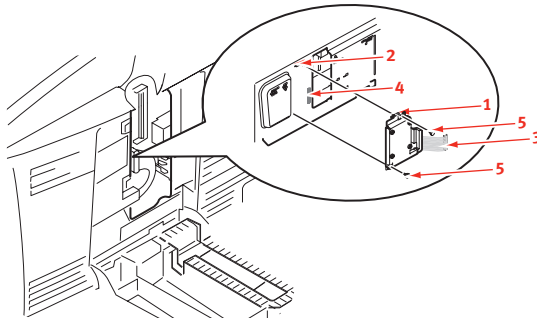
## HARD DISK DRIVE

The optional 40GB internal hard disk drive (HDD) enables collating of printed pages and can be used to store overlays and macros, fonts, and secure or proof documents waiting to be printed.

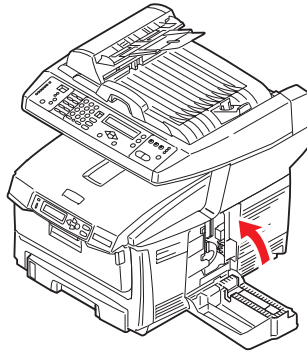
1. Switch the MFP off and disconnect the AC power cable.
2. Pull open the access panel on the side of the machine.



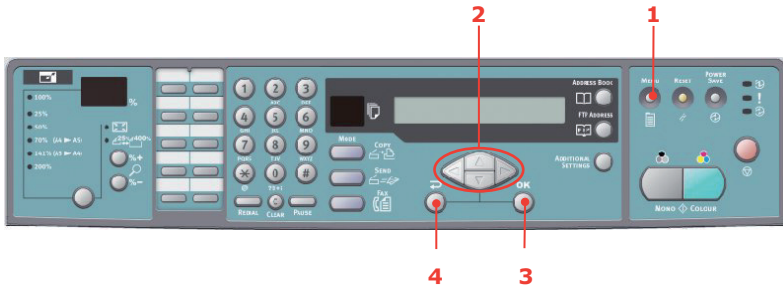
3. Locate the clip (1) on the top of the disk unit into the slot (2) in the printer.
4. Plug the end of the connecting cable (3) into the disk unit connector (4) in the printer.
5. Tighten the two thumbscrews (5).



6. Close the access panel, pressing firmly at the top to latch it closed.



7. Reconnect the AC power cable and switch the MFP on.
8. When the MFP is ready, print a menu map as follows:



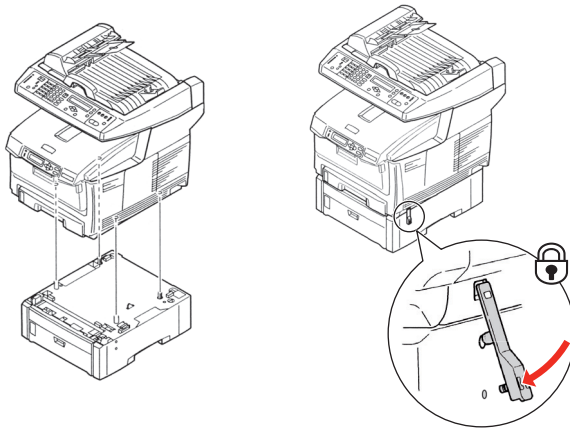
- (a) Press **Menu** (1) on the scanner control panel.
  - (b) Using the **UP/DOWN** arrow keys (2), navigate to the Report Print menu and press **OK** (3) once for the menu map.
  - (c) Press **OK** (3) again to print the menu map.
  - (d) When the menu map is printed, press **Return** (4) to exit the menu system.
9. Examine the first page of the menu map.

Near the top of the page, between the two horizontal lines, you will see the current MFP configuration. This should now indicate that the hard disk unit is installed.

All that remains is to configure the Windows printer driver so that it knows the hard disk unit has been fitted, and the additional features can be made available immediately. See ["Adjusting windows printer drivers"](#) on page 152.

## ADDITIONAL PAPER TRAY

1. Switch the MFP off and disconnect the AC power cable.
2. Place additional paper tray on desired location.
3. Observing safety rules for lifting and, using locating guides, place MFP on top of the additional paper tray.



4. Locate securing clip, press down and lock into position.
5. Re-connect the AC power cable and switch the MFP ON.

---

### NOTE

*If you need to transport this product, make sure you unlock the securing clip and remove the additional paper tray beforehand.*

---

## STORAGE CABINET

Refer to manufacturers instructions.

## ADJUSTING WINDOWS PRINTER DRIVERS

Once your new upgrade has been installed, you may need to update the Windows printer driver so that the additional features are available to your Windows applications.

Remember that if your MFP is shared between users on different computers, the driver must be adjusted on each user's machine.

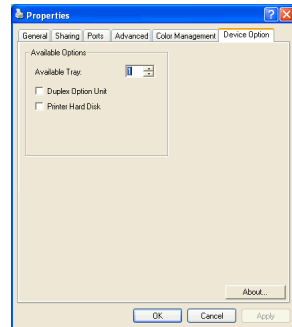
The illustrations shown here are for Windows XP. Other Windows versions may appear slightly different, but the principles are the same.

### PCL DRIVER

If you have installed a memory upgrade it is not necessary to change the PCL printer driver, and you can ignore this section.

If you have installed a duplex unit or hard disk, proceed as follows:

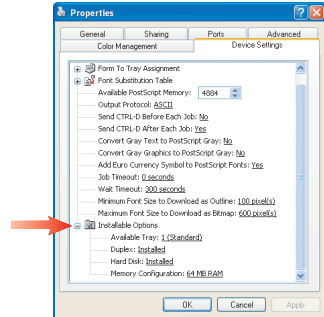
1. Open the Printers window (called "Printers and Faxes" in Windows XP) via the Start Menu or from the Windows Control Panel.
2. Right-click the printer icon for this printer, and choose Properties from the pop-up menu.
3. On the Device Options tab, check the box for the upgrade you have just installed.
4. Click **OK** to close the properties window, and then close the Printers window.



## POSTSCRIPT DRIVER

This driver must be adjusted for any upgrade just installed.

1. Open the Printers window (called "Printers and Faxes" in Windows XP) via the Start Menu or from the Windows Control Panel.
2. Right-click the printer icon for this printer, and choose Properties from the pop-up menu.
3. On the Device Settings tab, locate the list of installable options. Change those settings to indicate the new features you have just installed.
4. Click **OK** to close the properties window, and then close the Printers window.



# TROUBLESHOOTING

## CLEARING PAPER JAMS

Provided that you follow the recommendations in this guide on use of print media, and you keep the media in good condition prior to use, your MFP should give years of reliable service. However, paper jams occasionally do occur, and this section explains how to clear them quickly and simply.

Jams can occur due to paper misfeeding from a paper tray or at any point on the paper path through the MFP. When a jam occurs, the printer immediately stops, and the Alert LED on the status panel informs you of the event. If printing multiple pages (or copies), do not assume that, having cleared an obvious sheet, others will not also be stopped somewhere along the path. These must also be removed in order to clear the jam fully and restore normal operation.

### IN THE ADF.....

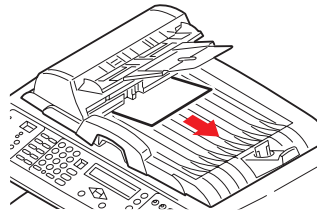
In the event of a paper jam, follow the procedures below to remove the paper:

1. If a sheet is well advanced out of the ADF, simply grip it and pull gently to draw it fully out.

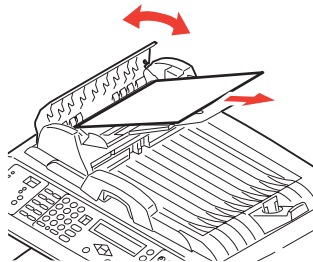
---

*NOTE*  
If it does not remove easily, do not use excessive force.

---

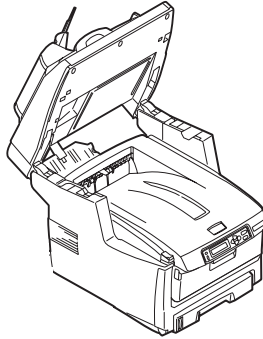


2. Gently open the ADF front cover to the left.
3. Carefully pull the paper out of the ADF unit.
4. Close the ADF front cover.

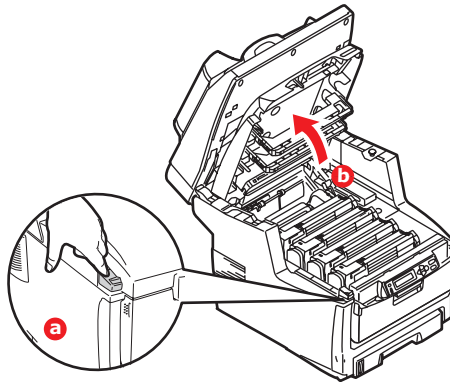


## IN THE PRINTER.....

1. If a sheet is well advanced out of the top of the printer, simply grip it and pull gently to draw it fully out. If it does not remove easily, do not use excessive force. It can be removed from the rear later.
2. Raise the scanner gently.



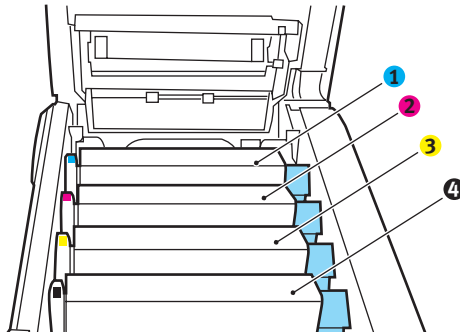
3. Press the cover release (a) and open the MFP's top cover (b) fully.



## WARNING!

**If the MFP has been powered on, the fuser will be hot. This area is clearly labelled. Do not touch.**

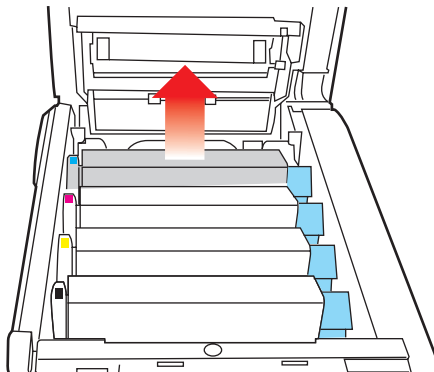
- 4.** Note the positions of the four cartridges.



- |                     |                      |
|---------------------|----------------------|
| 1. Cyan cartridge   | 2. Magenta cartridge |
| 3. Yellow cartridge | 4. Black cartridge   |

It will be necessary to remove the four image drums to gain access to the paper path.

- 5.** Holding it by its top centre, lift the cyan image drum, complete with its toner cartridge, up and out of the printer.



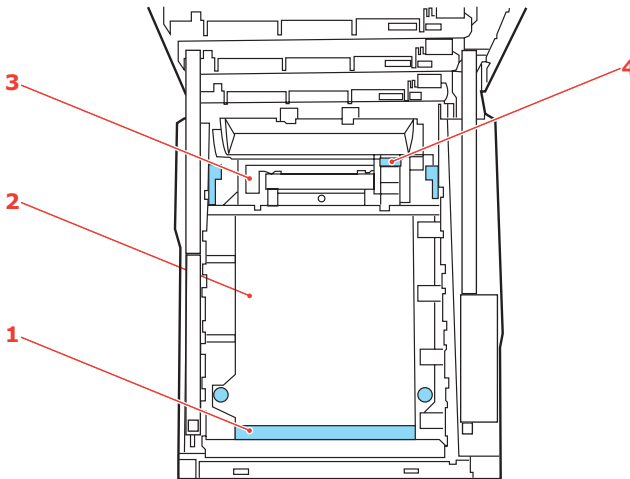


- Put the cartridge down gently onto a piece of paper to prevent toner from marking your furniture and to avoid damaging the green drum surface.

### CAUTION!

**The green image drum surface at the base of the cartridge is very delicate and light sensitive. Do not touch it and do not expose it to normal room light for more than 5 minutes.**

- Repeat this removal procedure for each of the remaining image drum units.
- Look into the MFP to check whether any sheets of paper are visible on any part of the belt unit.



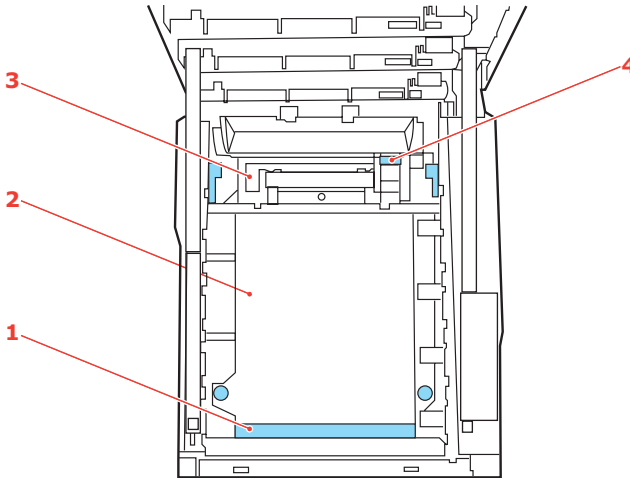
- (a) To remove a sheet with its leading edge at the front of the belt (1), carefully lift the sheet from the belt

and pull it forwards into the internal drum cavity and withdraw the sheet.

## CAUTION!

**Do not use any sharp or abrasive objects to separate sheets from the belt. This may damage the belt surface.**

- (b) To remove a sheet from the central area of the belt (2), carefully separate the sheet from the belt surface and withdraw the sheet.



- (c) To remove a sheet just entering the fuser (3), separate the trailing edge of the sheet from the belt, push the fuser pressure release lever (4) towards the front and down to release the fuser's grip on the sheet, and withdraw the sheet through the drum

cavity area. Then allow the pressure release lever to rise again.

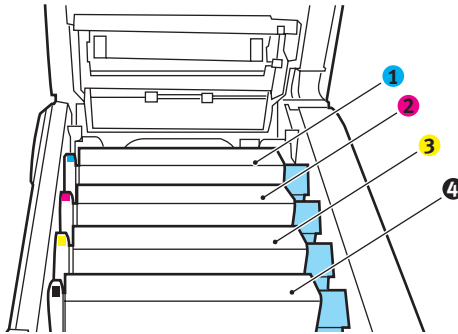
---

**NOTE**

*If the sheet is well advanced into the fuser (only a short length is still visible), do not attempt to pull it back. Follow the next step to remove it from the rear of the MFP.*

---

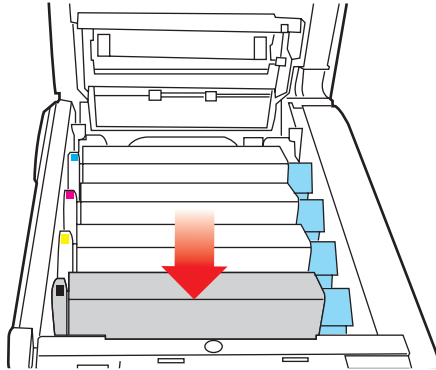
- 9.** Starting with the cyan image drum unit nearest the fuser, replace the four image drums into the drum cavity, making sure to locate them in the correct order.



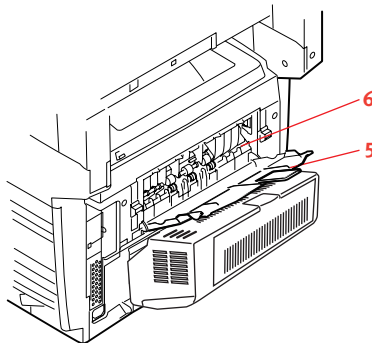
1. Cyan cartridge  
3. Yellow cartridge

2. Magenta cartridge  
4. Black cartridge

Holding the complete assembly by its top centre, lower it into place in the MFP, locating the pegs at each end into their slots in the sides of the MFP cavity.



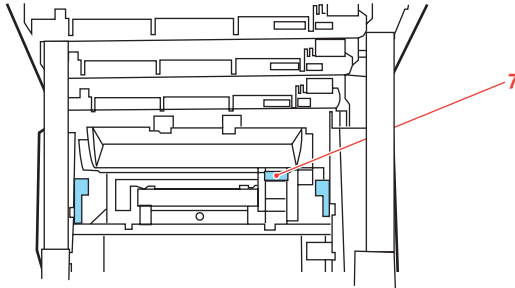
- 10.** Lower the top cover but do not press down to latch it closed yet. This will protect the drums from excessive exposure to room lighting while you check the remaining areas for jammed sheets.
- 11.** Open the rear exit tray (5) and check for a sheet of paper in the rear path area (6).



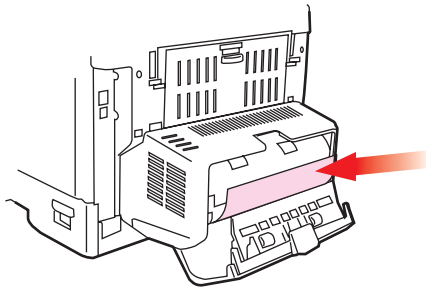
Pull out any sheets found in this area.

If the sheet is low down in this area and difficult to remove, it is probably still gripped by the fuser. In this case raise

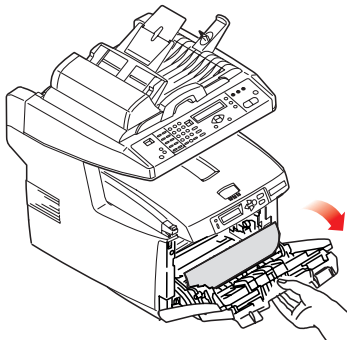
the top cover, reach around and press down on the fuser pressure release lever (7).



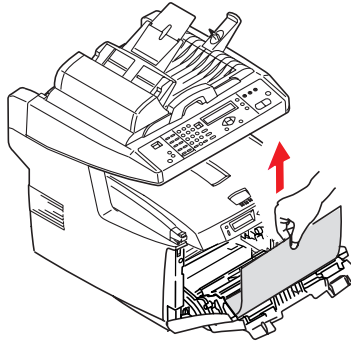
- 12.** If you are not using the rear exit tray, close it once paper has been removed from this area.
- 13.** If your MFP has a duplex unit installed, press the cover release at the centre of the unit, open the cover and remove any sheets in this area, then close the cover.



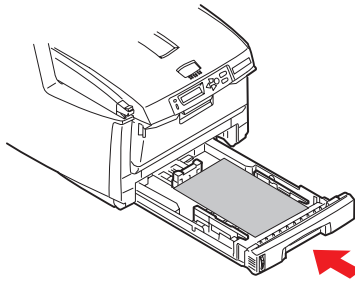
- 14.** Lift the front cover release and pull open the front cover.



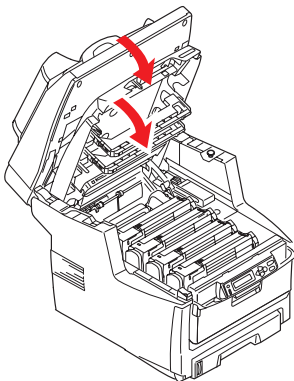
- 15.** Check inside the cover for sheets in this area and remove any that you find, then close the cover.



- 16.** Pull out the paper tray and ensure that all paper is stacked properly, is undamaged, and that the paper guides are properly positioned against the edges of the paper stack. When satisfied, replace the tray.



- 17.** Close the top cover and press down firmly at both sides so that the cover latches closed.
- 18.** Gently lower the scanner.



When the jam has been cleared, if Jam Recovery is set to ON in the System Configuration Menu, the MFP will attempt to reprint any pages lost due to paper jams.

## FAX PROBLEM CHECKLIST

If a problem occurs, read through the list of problems and solutions before calling for service.

**The MFP will not dial a telephone number.** Check the power cable and wall outlet. Make sure that the telephone line (not external telephone or handset) is connected to the LINE socket on the back of the machine. If an external telephone is installed, lift the handset and check for a dial tone. If there is no dial tone, there may be a problem with the telephone line. If there is a dial tone, the MFP may be using the wrong dialling method (pulse or tone) for the region. If alternating tones are heard instead of dialling pulses and the region uses pulse dialling, change the call parameters (See ["Initial set up" on page 66](#)).

The display shows a communications error. This indicates any of a number of problems:

- > The MFP may be incompatible with the remote machine, or the remote machine may not be able to perform the function requested of it such as polling or confidential faxing.
- > The remote machine may also be out of paper or experiencing a paper jam.
- > Bad telephone line conditions can also cause communication errors. Try sending the fax again and check to make sure that the correct telephone number is being dialled.
- > If a prefix number must be dialled to get an outside line, or if the call is to an international destination, a pause may need to be entered (use the Pause key) after the dial prefix or international dialling code to tell the machine to wait for a dial tone. If there are frequent problems communicating with a particular remote machine, try programming the telephone number into a speed dial key, and then change the parameters for that key (See ["Advanced set up" on page 67](#)).
- > Lastly, either the local or remote machine may require servicing. Try sending a fax to another location to check the local MFP.



**Faxing is possible but the image of the document printed by the remote machine is very poor.** If the faxed document has small type, complex illustrations, photos, or is very light or very dark, try changing the fax quality and density settings (See [“Advanced operation” on page 103](#)). Copy the document on the machine to determine how it will transmit. The problem may be caused by telephone line interference. Try sending the document again later.

**Fax sent but received message was completely blank.** Make sure that the document is loaded correctly before faxing; with text face UP in the ADF or face DOWN on the glass.

**Image of received fax is very poor.** Try making a copy of a document on the local machine to make sure it is working properly. If there is still a problem, contact the person sending the fax and ask them to change their fax quality and density settings. Ask the person to make a copy of the document on their machine to ensure that it is working properly. Then ask them to send the fax again.

**Dialling was tried with a Speed Dial number but nothing happened.** Make sure that the Speed Dial number being used is programmed correctly.

**Local MFP will not answer the telephone or receive faxes.** First check to see that the power cord is connected properly. Also check the reception mode setting of the machine. This MFP will not receive faxes automatically if the manual receive mode is enabled (See [“Manual receive” on page 72](#)).

**Documents received are light or have vertical streaks on them, and MFP is not out of toner.** Gently wipe the lens surface of the MFP's LED array, and then check to see if the machine is working properly (See [“...the LED head” on page 143](#)). If the MFP still does not work properly, remove the image drum (See [“Image drum replacement” on page 128](#)), tap the toner cartridge, and slowly swing it 20 to 30 degrees vertically several times. Be careful not to let the toner leak from the cartridge. If this does not work, the image drum unit may need to be replaced. Contact your supplier to get a replacement.

**MFP is set for delayed transmission but it did not send.** Check the display to make sure that the MFP is set to the correct time and date (See [“Initial set up” on page 66](#)).

**MFP will not poll a remote machine.** Call the person at the remote machine and make sure that they have loaded documents and that their machine is set to polling transmission mode.

**MFP is connected to a PBX but it is not possible to dial out.**

Be certain that the dial prefix is entered before the telephone number for each number dialed or programmed into the MFP (See ["Connecting to a PBX" on page 71](#)).

**MFP always answers before its possible to use the external telephone.** If an external telephone is connected, change the MFP's ring response setting (See ["Advanced set up" on page 67](#)).

**Faxes received sometimes look distorted.** If the document received is wider or longer than the paper loaded in the paper tray, the machine automatically reduces the width or length of the document so that it will fit on the paper. This type of problem could also be communication related.

## LCD MESSAGE LIST

---

**NOTE**

1. <%color%> = Y, M, C or K.
  2. <%tray%> = Tray 1, Tray 2 or MP Tray.
  3. <%job\_cancel%> = Log buffer full, job rejected invalid ID or job rejected.
  4. mmm = the setup of "paper supply".
  5. ppp = the setup of "media type".
- 

### INFORMATION AND WARNING MESSAGES

STATUS / CODE	MESSAGE	MEANING / ACTION
Initializing	Check Data Rec data error <%DLCODE%>	<%DLCODE%> 1.Size error. 2.Check SUM error. 3.Printer model No. error. 4.DModule I/F version error. 5.FAT version error. Restart the machine. (Turn it off and on again). If the code still appears, contact your dealer.
Initializing	Check Data Data write error <%DLCODE%>	An error occurs when writing NIC download data has: <%DLCODE%> 1.Memory allocation error. 2.Download file error. 3.Device free space acquirement error. 4.Device free area shortage error. 5.File write error. 6.CU-F/W mismatch error. Restart the machine. (Turn it off and on again). If the code still appears, contact your dealer.

STATUS / CODE	MESSAGE	MEANING / ACTION
Initializing	PU flash error	Restart the machine. (Turn it off and on again). If the code still appears, contact your dealer.
Normal	Cancelling job (Jam)	Indicates a jam occurring when "jam recovery" set to "Off". Remove the paper and resend the print job. (See " <a href="#">Clearing paper jams</a> "). If the code still appears, contact your dealer.
Normal	Cancelling job (User denied)	Indicates a job being cancelled due to no print permit: 1.A job received from a user who is denied printing. 2.A colour job received from a user who is denied colour printing. Contact your network administrator for help.
Normal	Cancelling job (Buffer full)	Indicates that a job is being cancelled because the printer area where the logs are stored has been used up and also "Cancel job" is specified as an operation at the time of Log Full. Contact your network administrator for help.
Warning	Order <%color2%> toner	Toner low, order replacement cartridge(s).
Warning	<%color%> waste toner full. Replace toner	Waste toner will fill up the box. Toner replacement is necessary (Y, M or C). As long as this warning is being displayed, a waste toner full error occurs, the printer shifts to Off-line and stops each time it has printed about 50 copies.
Warning	Non OEM <%color%> toner detected	It shows the toner cartridge of authorized 3rd party.
Warning	<%color%> toner regional mismatch	The region ID of toner cartridge is not proper to the distribution channel.

STATUS / CODE	MESSAGE	MEANING / ACTION
Warning	Non genuine <%color%> toner	Toner cartridge RFID chip is not compatible.
Warning	Order <%color%> image drum	Indicates image drum is near the end of it's life. Order replacement image drum(s).
Warning	Order fuser	Indicates fuser is near the end of it's life. Order replacement fuser.
Warning	Order belt	Indicates transfer belt is near the end of it's life. Order replacement transfer belt.
Warning	Fuser life	Notifies the life of the fuser. This is a warning only.
Warning	Belt life	Notifies the life of the belt. This is a warning only.
Warning	<%color%> toner empty	Toner empty. Warning status takes effect at Cover Open/Close. Allows printing approx. 50 pages (A4 5% duty, density 5%).
Warning	<%color%> toner not installed	Notifies that the toner cartridge is not installed.
Warning	<%color%> drum life	Notifies the life of the drum. This is a warning only. This warning appears when the cover is opened and closed just after the drum life error occurred.
Warning	<%tray%> empty	Tray empty. Treated as a warning until printing from that particular tray is required.
Warning	Hard disk full	HDD is full or not enough available memory to complete job. This is a temporary warning, it remains until the end of the job then disappears.

STATUS / CODE	MESSAGE	MEANING / ACTION
Warning	Disk write disabled	An attempt to write in a read-only file. This is a temporary warning, it remains until the end of the job then disappears.
Warning	Collate fail	Memory overflow occurred in the collate copy. Press the Online key to remove message from the LCD.
Warning	<%job_cancel%> Invalid ID. Job rejected	User not permitted to print, job has been cancelled. Contact your network administrator for help. Press the Online key to remove message from the LCD.
Warning	<%job_cancel%> Log buffer full. Job rejected	Buffer is full, job has been cancelled. Contact your network administrator for help Press the Online key to remove message from the LCD.
Warning	File erasing	
Warning	Deleting encrypted job	
Warning	Erased data full	
Warning	Expired secure job	Indicates that an applicable job has been automatically deleted as the retention period for authentication printing has expired.

STATUS / CODE	MESSAGE	MEANING / ACTION
Warning	Disk use failed <%FE_ERR%>	A disk error has occurred. %FS_ERR%: 0 - General error 1 - Volume not found 3 - File not found 4 - No free file descriptors 5 - Invalid number of bytes 6 - File already exists 7 - Illegal name 8 - Can not del root 9 - Not file 10 - Not directory 11 - Not same volume 12 - Read only 13 - Root dir full 14 - Dir not empty 15 - Bad disk 16 - No label 17 - Invalid parameter 18 - No contig space 19 - Can not change root 20 - FD obsolete 21 - Deleted 22 - No block device 23 - Bad seek 24 - Internal error 25 - Write only
Warning	PU flash error	

## ERROR MESSAGES

STATUS / CODE	MESSAGE	MEANING / ACTION
Error (online)	Load %MEDIA_SIZE% in MP tray and press on-line switch	Manual paper feed is required. Manually insert the paper shown by %MEDIA_SIZE%.

STATUS / CODE	MESSAGE	MEANING / ACTION
Error (online)	%TRAY% Duplex request	Paper feeding is recommended because the print of back sides (odd number pages) is finished during the manual duplex print.
Error 460	Load %MEDIA_SIZE%/ %MEDIA_TYPE% and press %ERRCODE%:%TRAY% media mismatch	The media size or both media size and type in the MP tray does not match the print data. Load <b>mmm/ppp</b> paper in tray.
Error 461 462	Load %MEDIA_SIZE%/ %MEDIA_TYPE% and press %ERRCODE%:%TRAY% media mismatch	The media size or both media size and media type in the tray does not match the print data. Load <b>mmm/ppp</b> paper in tray. Error 461: Tray 1 Error 462: Tray 2
Error (online)	Download message Processing	Indicates that message data to be updated is being processed.
Error (online)	Download message Writing	Indicates that message data to be updated is being written.
Error (online)	Download message Success	Indicates that message data to be updated has been written successfully.
Error (online)	Download message Failed %CODE%	Indicates that writing of message data to be uploaded has been failed. %CODE%: 1.FAIL: Other errors. 2.DATA_ERROR: Hash check error in data reading/writing, or abnormal FLASH 3.OVERFLOW: Down loading failure due to FLASH memory full at starting or during writing in a language file 4.MEMORYFULL: Memory reservation failure 5.UNSUPPORTED_DATA: Down loading data unsupported on the printer
Error (online)	Network config writing	Appears during the NIC configuration data is storing in the flash memory, as the setting was changed.



STATUS / CODE	MESSAGE	MEANING / ACTION
Error (online)	Wait a moment network initial	Appears when the NIC initialisation occurs, as the setting is changed.
Error 491 492	Load %MEDIA_SIZE% %ERRCODE%:%TRAY% empty	Printing request is issued to an empty tray. Error 491: Tray 1 Error 492: Tray 2 Load media into tray to allow printing.
Error 490	Load %MEDIA_SIZE% and press on-line	Printing request is issued to an empty MP tray. Load media into tray to allow printing.
Error 440	Install paper cassette %ERRCODE%:%TRAY% open	Paper tray has been removed. Reinstall tray to allow printing.
Error 430 431	Install paper cassette %ERRCODE%:%TRAY% missing	Paper tray has been removed. Reinstall tray to allow printing.
Error 420	Add more memory %ERRCODE%: memory overflow	Memory capacity overflow. Press the on-line key to continue printing. Install expansion RAM or decrease data size.
Error 414 415 416	Replace toner %ERRCODE%:%COLOR% waste toner full	Waste toner box is full and needs to be replaced. Warning status takes effect at cover open/close and printing of about 50 copies becomes available. Error 414: Y Error 415: M Error 416: C
Error 410 411 412 413	Replace toner %ERRCODE%:%COLOR% toner empty	Toner empty. Warning status takes effect at cover open/close. Error 410: Y Error 411: M Error 412: C Error 413: K

STATUS / CODE	MESSAGE	MEANING / ACTION
Error 554 555 556 557	Replace toner % <i>ERRCODE</i> :% <i>COLOR</i> % toner regional	OKI regional mismatch: Incorrect toner cartridge fitted (incorrect signature ID; correct distribution channel group). Replace with genuine toner cartridge. Error 554: Y Error 555: M Error 556: C Error 557: K
Error 614 615 616 617	Replace toner % <i>ERRCODE</i> :% incompatible % <i>COLOR</i> % toner	OEM channel mismatch: Incompatible toner cartridge fitted (incorrect signature ID; incorrect distribution channel group). Replace with genuine toner cartridge. Error 614: Y Error 615: M Error 616: C Error 617: K
Error 620 621 622 623	Replace toner % <i>ERRCODE</i> :% incompatible % <i>COLOR</i> % toner	OEM mismatch: Incompatible toner cartridge fitted (protected signature ID; incorrect distribution channel group). Replace with genuine toner cartridge. Error 620: Y Error 621: M Error 622: C Error 623: K
Error 550 551 552 553	Genuine toner is recommended % <i>ERRCODE</i> :% non genuine % <i>COLOR</i> % toner	Unauthorised 3rd party: Incompatible toner cartridge fitted (signature ID can not be recognised). Replace with genuine toner cartridge. Error 550: Y Error 551: M Error 552: C Error 553: K

STATUS / CODE	MESSAGE	MEANING / ACTION
Error 610 611 612 613	Install toner %ERRCODE%:%COLOR% toner missing	Toner cartridge is not fitted. Install genuine toner cartridge. Error 610: Y Error 611: M Error 612: C Error 613: K
Error 540 541 542 543	Check toner cartridge %ERRCODE%:%COLOR% toner sensor error	If the code appears, contact your dealer.
Error 401	Open upper cover %ERRCODE%: paper multi feed	Inappropriate long paper was fed from a tray. Check whether multi feed has happened (See <a href="#">"Clearing paper jams"</a> ). Open and close the cover to perform recovery printing, and continue.
Error 400	Open front cover %ERRCODE%: paper size error	Inappropriate size paper was fed from a tray. Check the paper in the tray or check for multi feed (See <a href="#">"Clearing paper jams"</a> ). Open and close the cover to perform recovery printing, and continue.
Error 390	Check %TRAY% %ERRCODE%: paper jam	Paper jam occurred during paper feeding from MP tray. <a href="#">See "Clearing paper jams"</a> . If the code still appears, contact your dealer.
Error 391 392	Open front cover %ERRCODE%: paper jam	Open the front cover, remove the paper and close the cover. Error 391: Tray 1 Error 392: Tray 2 <a href="#">See "Clearing paper jams"</a> . If the code still appears, contact your dealer.

STATUS / CODE	MESSAGE	MEANING / ACTION
Error 380	Open front cover %ERRCODE%: paper jam	Open the front cover, remove the paper and close the cover. <a href="#">See "Clearing paper jams"</a> . If the code still appears, contact your dealer.
Error 381 382 383 385 389	Open top cover %ERRCODE%: paper jam	Open the top cover, remove the paper and close the cover. Error 381: Transport Error 382: Exit Error 383: Duplex entry Error 385: Around fuser unit Error 389: Printing page lost <a href="#">See "Clearing paper jams"</a> . If the code still appears, contact your dealer.
Error 370 371 373	Open duplex cover %ERRCODE%: paper jam	Open the duplex cover, remove the paper and close the cover. Error 370: Duplex reversal Error 371: Duplex input Error 373: Multi-feed into duplex (duplex remain jam) <a href="#">See "Clearing paper jams"</a> . If the code still appears, contact your dealer.
Error 372	Open front cover %ERRCODE%: paper jam	Misfeed from duplex. Open the front cover, remove the paper and close the cover. <a href="#">See "Clearing paper jams"</a> . If the code still appears, contact your dealer.
Error 360	Install duplex unit %ERRCODE%: duplex unit open	Duplex unit is open (removed). When this error is detected, printing stops.
Error 350 351 352 353	Replace image drum %ERRCODE%:%COLOR% drum life	The image drum has reached the end of its life (alarm). Error 350: Y Error 351: M Error 352: C Error 353: K  Warning status takes effect at cover open/close.

STATUS / CODE	MESSAGE	MEANING / ACTION
Error 560 561 562 563	Replace image drum %ERRCODE%:%COLOR% drum life	The error occurs after the image drum has reached the end of its life. Error 560: Y Error 561: M Error 562: C Error 563: K Message is displayed until the image drum is replaced.
Error 354	Replace fuser %ERRCODE%: fuser life	The fuser has reached the end of its life and printing will stop. Warning status takes effect at cover open/close. Replace fuser.
Error 355	Replace belt %ERRCODE%: belt life	The transfer belt has reached the end of its life and printing will stop. Warning status takes effect at cover open/close. Replace transfer belt.
Error 348	Check fuser %ERRCODE%: fuser missing	Open the top cover, check the fuser is installed correctly and close the cover. If the code still appears, replace the fuser.
Error 544 545 546 547	Check toner cartridge %ERRCODE%:%COLOR% improper lock lever	Toner cartridge lever has not been locked. Lock into place securely.
Error 340 341 342	Check image drum %ERRCODE%:%COLOR% drum missing	Image drum not installed correctly. Fit image drum.
Error 343	Check image drum & belt lock %ERRCODE%: K drum missing	Indicates that the belt is unlocked or the black image drum is not installed properly. Check and secure belt and/or image drum.

STATUS / CODE	MESSAGE	MEANING / ACTION
Error 320	Check fuser %ERRCODE%: fuser missing	Fuser unit is not installed correctly. Fit fuser unit.
Error 330	Check belt %ERRCODE%: belt missing	Belt unit is not installed correctly. Fit belt unit.
Error 310 311	Close cover %ERRCODE%: cover open	Close the cover. Error 310: Top cover Error 311: Front cover If the code still appears, contact your dealer.
Error 316	Close cover %ERRCODE%: duplex cover open	Close the duplex cover. If the code still appears, contact your dealer.
Error 362	Wait a moment Data receive	Your printer's network card firmware is being reprogrammed.
Error 362	Wait a moment Data received OK	Your printer's network card firmware is being reprogrammed.
Error 362	Check data Rec data error <%DLCODE%>	An error has occurred while your printer's network card firmware is being reprogrammed. 1.File size error. 2.Check-sum error. 3.Invalid printer model number 4.Invalid module I/F version 5.Invalid FAT version
Error 362	Wait a moment Data writing	Your printer's network card firmware is being reprogrammed.
Error 362	Power OFF/ON Data written OK	Your printer's network card firmware has been reprogrammed successfully.

STATUS / CODE	MESSAGE	MEANING / ACTION
Error 362	Check data Data write error <%DLCODE%>	An error has occurred while your printer's network card firmware is being reprogrammed. 1.Memory allocation error 2.Download file error 3.Device allocation error 4.No device space 5.File writing failure 6.CU-F/W mismatch
Error 300	Power OFF/ON %ERRCODE%: network error	Your printer's network card has an error. Restart the machine (turn it off and on again). If the code still appears, contact your dealer.
Error 364	Rebooting %CODE%	Controller unit is rebooting. %CODE%: 0 ... Reboot due to a reason other than the following. 1 ... Reboot due to PJLCommand. 2 ... Reboot in accordance with a menu change. 3 ... Reboot due to quit operator of PostScript Language. 4 ... reboot by Network Utility (including Web).
Error	Shutting down	
Error	Shutdown	
Error	Please pow OFF Shutdown comp	
Fatal	%FATAL1% %FATAL2%	If a fatal code appears, contact your dealer.

## ERROR MESSAGES DURING NETWORKING

MESSAGE	ACTION
Connection failed Check network settings	<p>Ping the IP address of the MFP from another PC in DOS prompt. For example, type "Ping 10.1.20.144" in DOS prompt. If the MFP does not respond, then perform the following steps.</p> <p>Check that the RJ-45 connector is firmly plugged-in.</p> <p>Check the Ethernet cable.</p> <p>Check the MFP IP address.</p> <p>Check the destination IP address.</p> <p>Check Subnet Mask.</p> <p>Check Gateway IP.</p>
Address is invalid Check network settings	
Network is down Check network settings	
Network is unreachable. Check network settings	
Connection aborted by server Check network settings	
Connection reset by server Check network settings	
Connection timed out. Check network settings	
Connection failure Check network settings	
Host is not able to reach Check network settings	
Fail to connect E-mail server Check network environment	

## ERROR MESSAGES DURING E-MAILING

MESSAGE	ACTION
Device internal failure. Reboot the scanner	Reboot the machine, and try again. If the error is still there, contact your nearest dealer.
Fail to connect Mail server. Contact network administrator	Contact your network administrator for further help.



MESSAGE	ACTION
Fail to get Mail server response. Contact network administrator	Turn on Log File option in [ADMIN / MANAGEMENT/ Service mode] to record and observe network actions and contact your network administrator or nearest dealer for further help.
Unpredicted error. Contact network administrator	
Service unavailable Contact network administrator	Service not available, closing transmission channel. The Server is going to shut down.  Contact your network administrator for further help.
No support SMTP login extension Contact network administrator	Mail server doesn't support SMFP login extension. Contact your network administrator for further help.
No support SMTP login authentication Contact network administrator	Contact your Mail server administrator to turn on SMTP LOGIN option.
SMTP login error Check user name	Check your login user name.
Mailbox unavailable Check "To" address	Requested mail action not taken. Check "To" address.
Processing error Contact network administrator	Requested action aborted. Contact your network administrator for further help.
Insufficient system storage Contact network administrator	Contact your network administrator for further help.
Temporary authentication failure Contact network administrator	Contact your network administrator for further help on mail server's authentication mechanism.  Choose SMTP authentication for E-mail security or turn off the mail server's authentication and try again.
Command error Restart scanner	Reboot the machine, and try again. If the error is still there, contact your nearest dealer.

MESSAGE	ACTION
Parameters or argument error Check network settings	Check if the Device Name is valid. The Device Name can be found in Menu/General. Check "From" address. Check "To" address. Contact your network administrator for further help.
Sequence error Restart scanner	Reboot the machine, and try later. If the error is still there, contact your nearest dealer.
Command parameters not implemented Check network settings	Check if the Device Name is valid. The Device Name can be found in Menu/General.
Authentication required Contact network administrator	Contact your network administrator for further help on mail server's authentication mechanism. Choose SMTP authentication for Email security or turn off the mail server's authentication and try again.
Action not taken Check "To" address	Requested action not taken: mailbox name not allowed. Check "To" address.
User not local Check "To" address	Check "To" address. Please try again.
Exceeded storage allocation Check "To" address	Requested action not taken. Check "To" address. Check mailbox storage allocation. Contact your network administrator for further help.
Mailbox name not allowed Check "To" address	Requested action not taken: mailbox name not allowed. Check "To" address.
Transaction failed Contact network administrator	Contact your network administrator for further help.
Connection error Check network environment	Check network environment. Check if email attachment size is larger than the mailbox quota.
File size is too large	File size is larger than the "scan size limit" allowable. Please reduce file size and retry sending.

## ERROR MESSAGES DURING FILING

MESSAGE	ACTION
Fail to connect FTP server Contact server administrator	Make sure the FTP server is not shut down and port number is correct. If the error is still there, contact your FTP server administrator.
Unpredicted error Contact server administrator	Contact your server administrator for help.
FTP login error Check login name	Check your login name and try again.
FTP password error Check password in folder	Check your password and try again.
Can't enter directory Make sure privilege	Make sure you have the privilege to enter this directory.
Can't check file Make sure privilege	FTP can't check file existed or not. Make sure you have the privilege to browse this directory.
Can't change data transfer type Contact server administrator	Contact your server administrator for help.
Store file error Make sure privilege	Make sure you have the privilege to store files in this position (server/directory).
Insufficient storage space in system Contact server administrator	Check FTP server free storage space and contact your server administrator.
File name not allowed Change file name	Change file name to meet naming convention of FTP server's OS.
Can't create directory Make sure privilege	Make sure you have the privilege to create this directory.
Network share name incorrect Check directory in folder	CIFS Network share name incorrect. Check directory in profile and make sure it follows UNC, such as \\Computer\Share\directory.
CIFS fail to connect Check that server supports CIFS	Check that server supports CIFS(SMB) connection.
Computer name error. Make sure computer name in directory	CIFS Computer name error. Make sure computer name in directory is correct.

MESSAGE	ACTION
CIFS dialect negotiation fail Contact server administrator	This CIFS may not support PC NETWORK PROGRAM 1.0 dialect.
CIFS login fail Check ID & password	CIFS (User level) login fail. Check login name and password you typed and try again.
Can't make subdirectory Check the account	CIFS (User level) can not make subdirectory. This account has not right to create new subdirectory.
CIFS fail to create file Make sure you have full control privilege	Make sure you have full control privilege on this network share.
CIFS send data error.	
HTTP fail to connect Check IP & HTTP port	Check Server IP and HTTP port. Make sure they are correct. Or, check whether that server supports HTTP connection.
HTTP Unauthorized Make sure your account has authorization	This HTTP server needs authorization. Make sure your account has correct authorization.
HTTP Forbidden This action is forbidden	This action is forbidden in this server. This is not unauthorized but forbidden.
Unpredicted error.	Turn on Log File option in [ADMIN / MANAGEMENT/ log action] to log and observe device actions and contact your server administrator or nearest dealer for further help.
MKCOL method not allowed Contact server administrator	Contact server administrator to change permission on this privilege.
MKCOL method not implemented Contact server administrator	HTTP server does not support MKCOL to create directory. Give up creating new directory or create directory at server in advance.
HTTP PUT method not allowed Contact server administrator	Contact server administrator to change permission on this privilege.
HTTP internal server error Contact server administrator	Contact your server administrator for help.
PUT method not implemented Contact server administrator	That server does not implement HTTP PUT method. MFP can't store file on this server, contact your system administrator for help.

MESSAGE	ACTION
HTTP service unavailable Contact server administrator	Contact your server administrator for help.
HTTP no support That server does not support HTTP	That server does not support HTTP version 1.1, contact your server administrator for help.
Resource not found Contact server administrator	That server can't save the files, contact your server administrator for help.

# A GUIDE TO PRINTING

This Chapter provides a convenient on-screen reference to the many features of the driver software supplied with your MFP.

## HOW TO ACCESS THE DRIVER SCREENS

Most of the features described are accessed via the printer driver screens. How you access them depends on your computer and its operating system.

The driver windows are tabbed dialogue boxes, offering a wide range choices about how you want to print your documents.

There are two ways to access the driver features from within Windows:

1. Directly from the Windows "Printers" folder ("Printers and Faxes" folder in Windows XP).

If you choose this method any changes you make will become the **driver defaults**. This means they will remain active for all your applications unless you specifically change them from within the application's Print dialogue.

2. From your application's Print dialogue.

If you choose this method any changes you make will usually only last for as long as the particular application is running, or until you change them again. In most cases, once you quit the application the driver defaults will return.

---

### NOTES

1. *Settings made from the MFP's own control panel are the **printer defaults**. They determine how your MFP will behave unless you specify otherwise from your computer.*
  2. *The **driver defaults** override the MFP defaults.*
  3. ***Application Print settings** override both the MFP defaults and the driver defaults.*
-

## **CHANGING THE DRIVER DEFAULTS**

### **WINDOWS XP/2000/SERVER 2003**

1. Click [Start] > [Printers and Faxes] to open the Printers and Faxes window.
2. In the Printers and Faxes window, right-click on the appropriate printer driver icon, and choose [Printing Preferences] from the context menu.

## **CHANGING THE APPLICATION'S DRIVER SETTINGS**

1. In your application, open the file you want to print.
2. On the [File] menu, choose [Print...].
3. In the application's Print dialogue, make sure the machine shown is the appropriate one, and click [Properties].

## **PCL SAVED DRIVER SETTINGS**

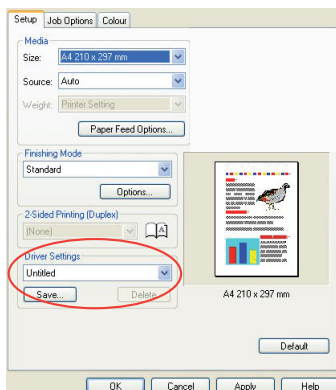
This feature, unique to the Windows PCL drivers, allows you to save the printer driver settings and reuse them later. This could be useful if you frequently print many different types of document that require different printer driver settings.

Recalling saved settings in the PCL drivers is a simple task that must be done first, before any job-specific changes are made. Rather than repeat the procedure throughout this manual, it is described here.

## **SAVING A SET OF DRIVER SETTINGS**

1. Make any changes to the driver settings you want, as described in the relevant section of this manual.

2. In the driver's [Setup] tab, click [Save...].



3. Enter a meaningful name for the settings you are saving, and click [OK].

## RECALLING SAVED DRIVER SETTINGS

1. In the driver's [Setup] tab, choose any previously saved [driver settings] you need.
2. Proceed to make any other adjustments for this job, as described in the relevant section in this manual.

## SETTING THE DRIVER DEVICE OPTIONS

This section explains how to ensure that your printer driver can utilize all of the hardware features installed in your MFP.

Accessories such as hard disk, duplex unit (two sided printing), additional paper trays, etc., will only be usable if the printer driver on your computer knows they are there.

In some cases the hardware configuration of your MFP is automatically detected when the driver is installed. However, it is advisable to at least check whether all of the available hardware features are listed in the driver.

This procedure is essential if you subsequently add extra hardware features to your MFP after the drivers have been installed and set up.

1. Access the driver's [Properties] window. (See ["Changing the driver defaults"](#) on page 187.)



2. Select the [Device Options] tab.  
In the Windows XP PostScript driver the tab may be called "Device Settings".
3. Set the options for any devices you have installed, including the correct number of paper trays, high capacity feeder, duplex unit, etc.
4. Click [OK] to close the window and save your changes.

## **BLACKS AND GREYS (BLACK OVERPRINT)**

Black overprint eliminates the white edge between the printed fonts and the coloured background.

Black overprint can only be used when printing 100 percent black text over a background colour.

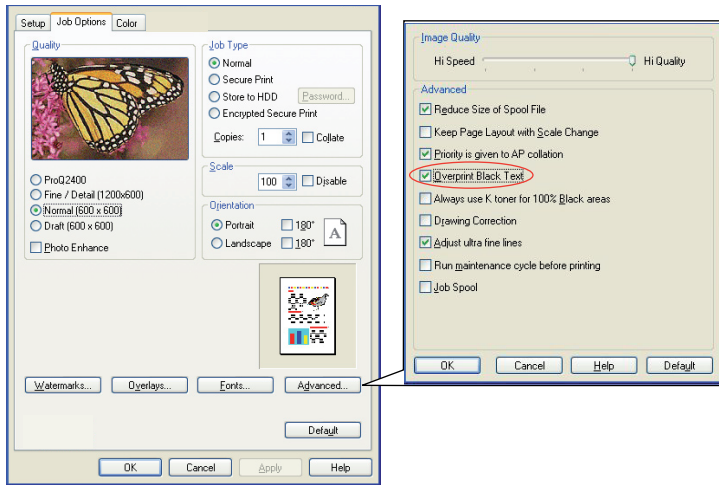
Black Overprint may not be available with some software applications.

---

### *NOTES*

1. *The Black Overprint feature is not included in the Windows PCL 6 driver.*
  2. *When the background colour is very dark, the toner may not fuse correctly. Change the background to a lighter colour.*
-

1. On the [Job Options] tab, click [Advanced].



2. Check [Black Overprint].

## BLACK PRINTING (BLACK GENERATION)

To use Black Generation, Office Colour or Graphic Pro must be the selected Print Mode.

Your MFP prints the colour black in one of two ways: **Composite Black** or **True Black**.

### COMPOSITE BLACK

The cyan, magenta, yellow, and black toners are *combined* to create composite black.

This will sometimes give a glossier finish, due to the increased amount of toner. It can also sometimes appear as a slightly brownish black.

Use composite black when printing photographs.

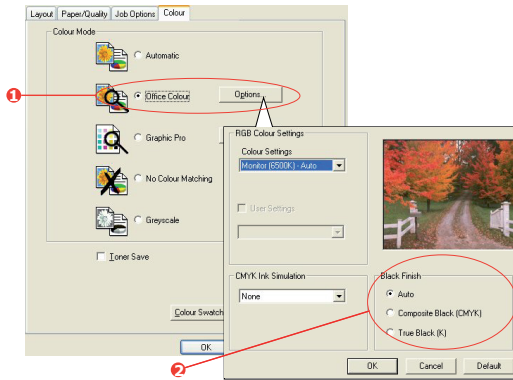
### TRUE (PURE) BLACK

**Only** black toner is used to print true black.

Use True Black when printing a combination of text and graphics. If you use True Black to print photographs, dark sections of the photos may appear black.

## Office colour

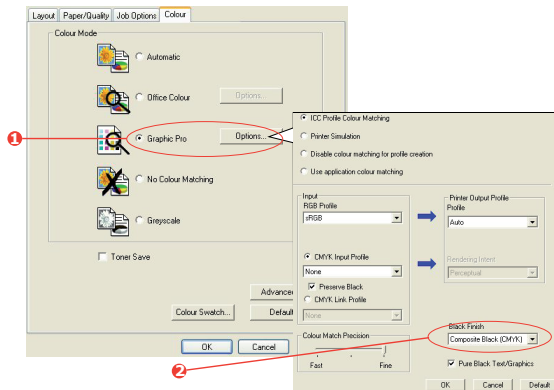
1. On the driver's [Colour] tab, select [Office Colour] (1) and click the [Options] button.



2. On [Black Finish] (2), make your selection: [Auto] (allow printer to choose the best method depending on page content), [True Black] or [Composite Black].

## Graphic pro

1. On the driver's [Colour] tab, select [Graphic Pro] (1) and click the [Options] button.



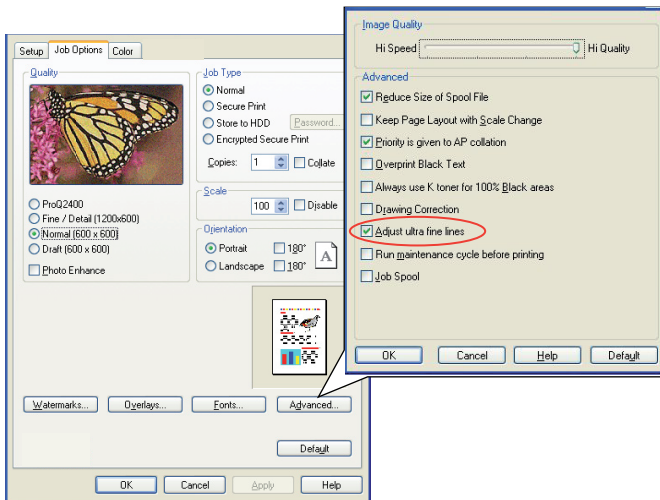
2. From the [Black Finish] menu (2), choose your preferred setting.

## FINE LINES ENHANCEMENT

This feature can be used to emphasize the pen width of very fine lines (minimum line width).

With some software applications, if this feature is turned ON, the spaces in bar codes may become too narrow. If this happens, turn [Adjust Ultra Fine Lines] OFF.

1. In the driver's [Job Options] tab, click [Advanced].



2. Click the checkbox to turn on [Adjust Ultra Fine Lines].  
If the option is turned on, a check mark appears in the box.

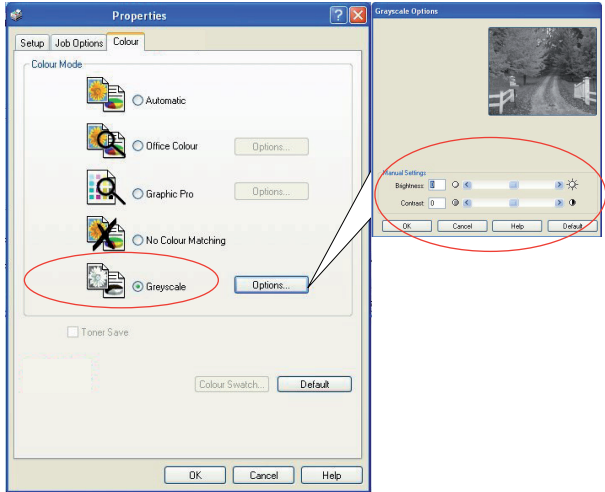
## GREYSCALE PRINTING

If you select Greyscale, the MFP converts all colours into shades of grey, and prints using only black toner.

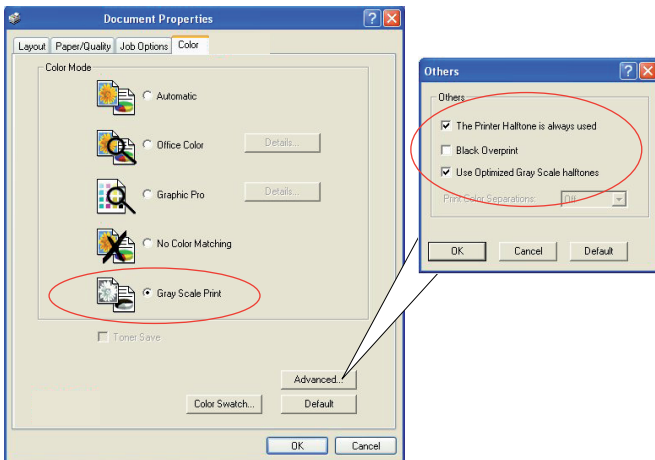
Use Greyscale to speed up printing of proof copies or when you do not need to print a colour document in colour.

1. If using the PCL driver, in the driver's [Setup] tab, choose any previously saved [driver settings] you need. See ["Recalling saved driver settings" on page 188](#)

2. On the driver's [Colour] tab, click [Greyscale], then click [Options].



3. If using the PS driver, on the [Colour] tab, click [Greyscale], and then click [Advanced] if you want to adjust brightness and contrast.



Some applications will attempt to set the halftone screen information for the MFP. If the option to [use printer

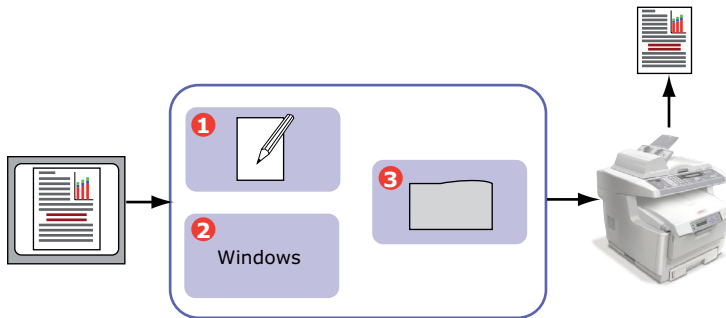
halftones] is left at ON, the MFP will set its own halftone screen value, giving a smoother result. It is recommended to leave this option on.

[Optimised greyscale halftones] may take slightly longer to print but will give best quality.

## COLOUR MATCHING

### BASICS

There are three methods by which your document's colour can be managed and adjusted:



#### 1. Application Colour Management (1).

Some graphics and desktop publishing programs such as Adobe Photoshop, Adobe Illustrator, and Quark Xpress have their own built-in colour management systems. See ["Printer driver settings for ICC profile creation or no colour matching" on page 213.](#)

Most applications do not have these colour management features and rely instead on the MFP or operating system.

#### 2. Operating System Colour Management (2).

### 3. Printer Colour Management (3).

When you print your document and modify settings in the printer driver, the MFP performs colour adjustments.

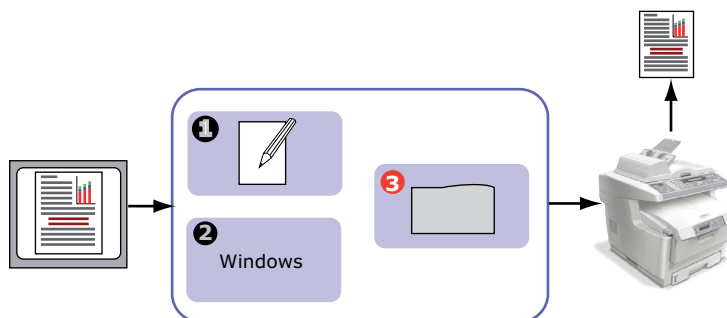
---

#### NOTES

1. Only use one colour management system if you want the best results from your MFP.
  2. If you wish to use your MFP's colour management system, ensure that your application or operating system colour management is switched off.
  3. Applying colour management in multiple places will give unpredictable results.
- 

### WHAT THIS GUIDE DESCRIBES

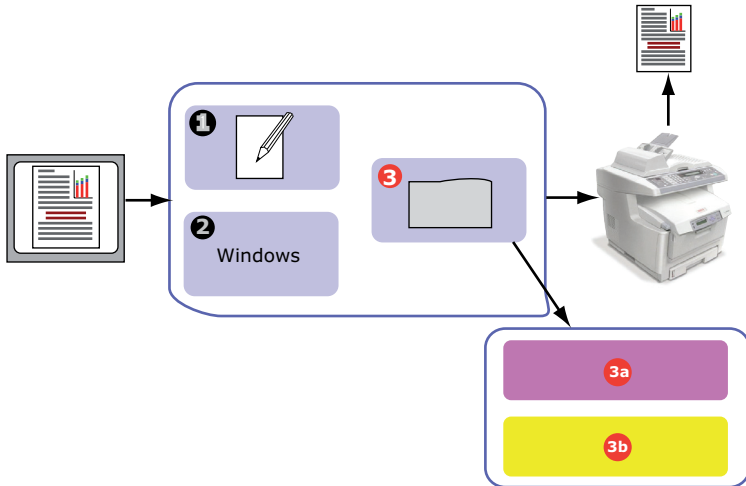
This Chapter only discusses the **printer** colour management system.



If you wish to learn more about your application program or operating system colour management, please see the documentation that was supplied with your application software or computer.

## PRINTER COLOUR MANAGEMENT

Your printer has two separate colour management systems – Office Colour and Graphic Pro.



- > Office Colour (3a) – [“Office colour” on page 198](#)
- > This is a simpler colour management system designed for ease of use. Office Colour is recommended for users who are not experts in colour but want good results when printing from programs such as Microsoft Office.
- > Graphic Pro (3b) – [“Graphic pro” on page 200](#)

This is a powerful colour management system based on ICC colour profiles.

Profiles can be down loaded to the MFP hard disk using a special utility, and then colour matching can be applied to all incoming print jobs.

The Graphic Pro colour management system is recommended for users who are already familiar with ICC profile-based colour matching and require more control over colour.



## ABOUT RGB AND CMYK COLOUR

Some application programs give you the choice to create and edit documents using either RGB colour or CMYK colour. Typically, only professional graphics and desktop publishing software support CMYK colour. Most application programs only support RGB colour, for example Microsoft Office programs or web browsers.

If your application program does not give you the choice of RGB or CMYK colour, you should assume that it only supports RGB.

The RGB colour model is based on the three primary colours of light; **Red**, **Green** and **Blue**. This model is used by scanners, digital cameras and computer monitors.

The CMYK colour model is based on **Cyan**, **Magenta**, **Yellow** and **Black** printer inks or toners.

## ABOUT THE PRINTER DRIVERS

Depending on your operating system, you may have the choice of different drivers to use with your MFP. You may wish to select a printer driver based on whether it supports CMYK data.

	SUPPORT FOR RGB DATA	SUPPORT FOR CMYK DATA
PCL 5c driver	✓	✗
PCL 6 driver	✓	✗
PostScript driver	✓	✓

## OFFICE COLOUR

This section describes the features in the printer driver for “Office Colour” printer colour management.

There are two different sets of options in Office Colour:

RGB OPTIONS	CMYK OPTIONS (POSTSCRIPT ONLY)
Monitor (6500K) – Auto	SWOP
Monitor (6500K) – Perceptual	Euroscale
Monitor (6500K) – Vivid	Japan Color
Monitor (9300K)	
Digital Camera	
sRGB	

---

### NOTE

*The options for CMYK data are not present in the Windows PCL 5c or PCL 6 printer drivers. These printer drivers only support RGB colour data.*

---

Although the Office Colour options contain controls for CMYK data, it is strongly recommended that you use the Graphic Pro options instead. If you are printing CMYK data, the Graphic Pro options provide more power and flexibility.

## OFFICE COLOUR - RGB OPTIONS

Office Colour provides a collection of several different colour matching presets for RGB data.

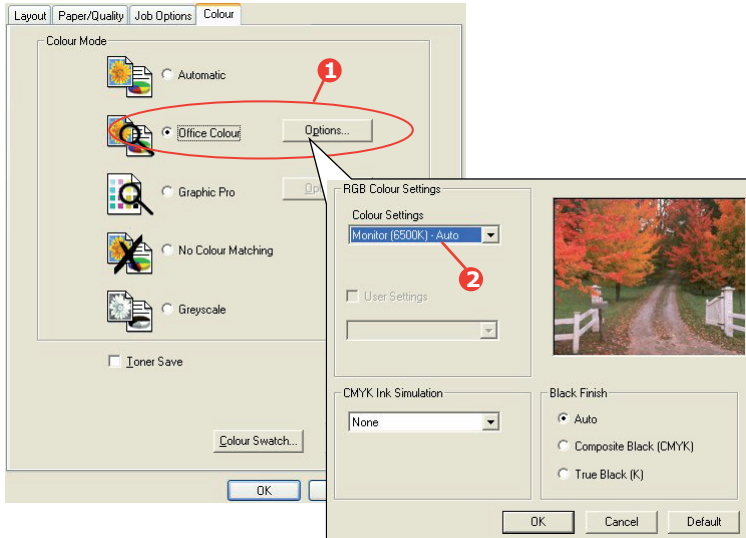
These presets each change the colour of your print in a slightly different way.

These RGB colour matching options are available in all printer drivers.

PRESET	EXPLANATION
Monitor (6500K) – Auto	The best colour match preset will be selected based on the type of document. 6500K - Perceptual will be selected if printing photographs. 6500K - Vivid will be selected if printing graphics and text.
Monitor (6500K) – Perceptual	Optimized for printing photographs. Colours are printed with emphasis on saturation.
Monitor (6500K) – Vivid	Optimized for printing photographs and for office graphics. The MFP uses even more saturation than the Monitor (6500k) Perceptual setting.
Monitor (9300K)	Colours are printed with emphasis on Lightness. Use this setting if you are having problems achieving the correct colour when printing from Microsoft Office applications.
Digital Camera	Optimized for printing photos taken with a digital camera. Your results will vary depending on the subject and the conditions under which the photograph was taken.
sRGB	The MFP will try to reproduce the sRGB colour space. This may be useful if colour matching from an sRGB input device such as a scanner or digital camera.

This information applies to the Windows PCL 5c, PCL 6 and PostScript drivers.

1. On the printer driver [Colour] tab, select [Office Colour] (1) and click the [Options] button.



2. Select a preset from [Colour matching options] (2).

## **CUSTOMISING RGB OFFICE COLOUR WITH THE COLOUR CORRECT UTILITY**

If the Office Colour presets are not sufficient for your needs, the Colour Correct utility provides a means of further adjustment. The Colour Correct utility provides two methods for adjusting the Office Colour settings:

1. You can adjust the overall appearance of the print by modifying Hue, Saturation and Gamma.
2. You can adjust the specific palette colours used in Microsoft Office applications. These adjustments only affect one specific palette colour at a time.

## **GRAPHIC PRO**

This section describes the colour matching options available for Graphic Pro.

The Graphic Pro colour matching system is based around ICC profiles. These profiles are down loaded to the MFP using the

Profile Assistant utility and then selected in the printer driver. When a job is sent to the MFP, the ICC profiles are applied to the print job on the MFP.

---

#### *NOTES*

- 1. Some features of Graphic Pro colour matching can only be used if your MFP is fitted with a hard disk. The MFP hard disk is required if you wish to download and use your own ICC profiles to the MFP.*
  - 2. The MFP's internal hard disk is an optional accessory.*
  - 3. If your MFP does not have a hard disk fitted, you will only be able to select the factory default profiles that are built-in to the MFP.*
- 

## **WHAT CAN YOU DO WITH GRAPHIC PRO COLOUR MATCHING?**

The Graphic Pro colour matching system is both powerful and flexible. Here are some examples of how the Graphic Pro colour matching system can be used:

### **MATCHING MFP COLOUR TO AN RGB INPUT DEVICE**

By using the ICC profiles of a scanner, digital camera or monitor, the MFP's colour can be matched to the input device.

### **PRINTER SIMULATION**

Your MFP can be used to simulate the colour output of another printer, even when printing RGB documents. For best results, use CMYK documents when simulating the colour output of other printers.

### **CMYK INK SIMULATION**

Your MFP can be used to simulate the colour output of a commercial printing press (SWOP, Euroscale or Japan Color inks).

### **MORE ACCURATE MFP COLOUR**

If you have created your own profiles with third-party ICC profile creation software, these can be download to the MFP and used when printing.

## TYPES OF ICC PROFILE SUPPORTED

There are four classes of ICC profile supported by the Graphic Pro colour matching system:

PROFILE TYPES	DESCRIPTION
RGB Source (RGB Input)	These profiles describe the device that was used to capture RGB data (e.g. scanner or digital camera). The RGB Input Profile may also be your monitor profile if you are trying to match to your screen.
CMYK Simulation (CMYK input)	These profiles describe the CMYK device whose colours you are trying to simulate. Typically this would be another manufacturer's printer or an offset printing press. Profiles are already built-in to the MFP for commercial printing press inks such as SWOP or Euroscale.
Printer (CMYK Output)	This profile describes the colour characteristics of your own MFP. The MFP already has factory default profiles built-in, but you can replace these profiles with your own if required.
Link Profile	This is a special type of ICC profile that converts directly from CMYK to CMYK. For example, a link profile could convert directly from the CMYK space of another printer to the CMYK space of your MFP.

## GRAPHIC PRO WORKFLOW – OVERVIEW

There are three steps to using the Graphic Pro colour matching system:

1. Gather or create ICC profiles (see below)
2. Download ICC profiles to the MFP hard disk ([page 203](#))
3. Select the ICC profiles in the printer driver when printing ([page 204](#))

## STEP 1 - GATHER OR CREATE THE ICC PROFILES

Where can I get the profiles I need?

PROFILE TYPE	WHERE TO GET PROFILES
RGB Source (RGB Input)	Obtain your RGB source profiles from your scanner, camera or monitor manufacturer.
CMYK Simulation (CMYK input)	Obtain the simulation profile from the manufacturer of the printer you wish to simulate.
Printer (CMYK Output)	The factory default profiles for your MFP are built-in. If you need greater accuracy, you should create your own MFP profile using third-party ICC profile creation software.
Link Profile	You can create Link profiles using third-party ICC profile creation software. Note that not all ICC profile creation software can create Link profiles.

## STEP 2 - DOWN LOADING ICC PROFILES TO THE HARD DISK

You can download profiles to the MFP hard disk using the Profile Assistant utility.

1. Launch Profile Assistant
2. Select an MFP

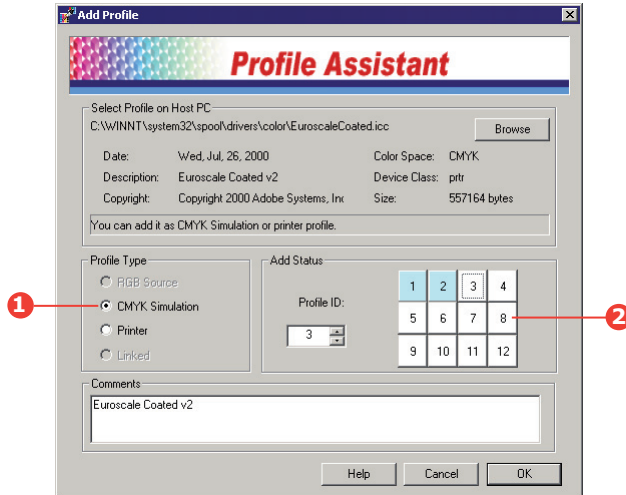
If this is the first time you have used Profile Assistant, you should allow the utility to search for compatible machines.

Select the connection type "Network (TCP/IP)", and click **Start** to begin searching.

If you know the MFP's IP address, you can enter it manually.

3. The main screen of Profile Assistant displays the profiles resident on the selected MFP's hard disk. To download a new profile to the MFP:
  - (a) Click **Add**.
  - (b) Select an ICC profile from your computer's hard disk.

- (c) Once you have selected a profile, you can add it to the MFP as one of the 4 profile types - RGB Source, CMYK Simulation, Printer or Linked.
- (d) The options available will depend on which ICC profile you have selected. For example, if you have selected a CMYK profile, you may only be able to add this to the printer as a CMYK Simulation or Printer output profile.
- (e) Select a number from 1 to 12. This number is used to identify the profile in the printer driver.



- (f) Click [OK] to download the ICC profile to the MFP.

### STEP 3 - SELECT ICC PROFILES IN THE PRINTER DRIVER

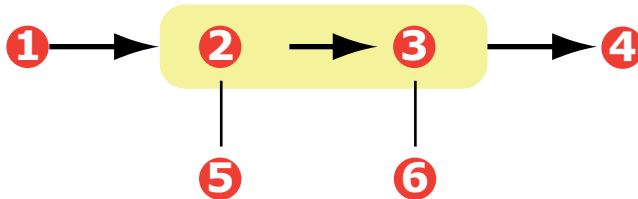
What you select in the printer driver depends on the colour matching task that you wish to perform.

Examples of selecting ICC profiles for different colour matching tasks are shown in the next sections of this guide.



## MATCHING THE COLOUR OF A MONITOR, SCANNER OR CAMERA

The Graphic Pro colour matching system can be used to match the printer colour to an RGB input device such as a monitor, scanner or digital camera.



1. RGB data

2. RGB source profile

3. Printer output profile

4. Printed document

5. Scanner, monitor, camera, etc.

6. Leave on Auto or select your custom profile.

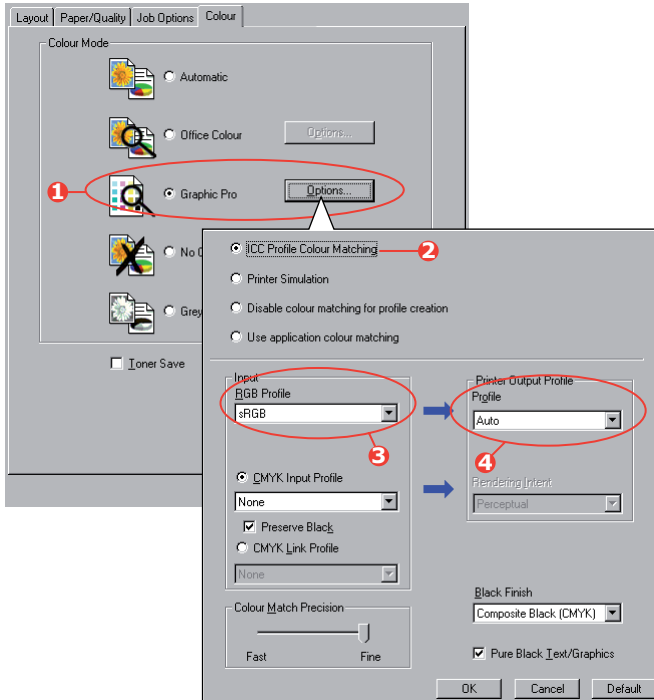
To match an RGB input device, first download the RGB source profile and printer profile (optional) to the MFP hard disk using Profile Assistant. [See "Step 2 - Down loading ICC profiles to the hard disk" on page 203.](#)

Once the profile(s) have been down loaded, make the appropriate selections in the printer driver, as described below.

This information applies to the Windows PCL 5c, PCL 6 and PostScript drivers.

To match the colour of an input RGB device such as a monitor, scanner or digital camera, make the following selections in the printer driver:

1. On the printer driver [Colour] tab, select [Graphic Pro] (1) and click [Options].



2. Select [ICC Profile Colour Matching] (2).
3. Select the ICC profile that corresponds to the device you are trying to match such as your monitor, scanner or digital camera (3).

Remember that the names "RGB Source 1", "RGB Source 2" and so on relate to the number assigned to the profile using Profile Assistant. See ["Step 2 - Down loading ICC profiles to the hard disk"](#) on page 203.

4. Select a Printer Output Profile (4).

If [Auto] is selected, the factory default profiles that are embedded in the MFP will be used. If you have created a

MFP profile yourself using profile creation software, select it here.

---

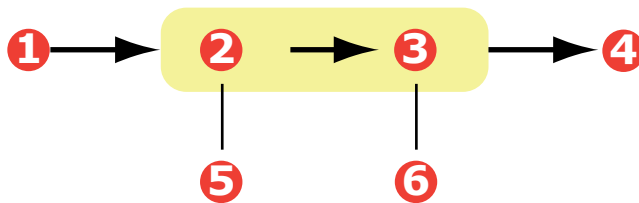
**NOTE**

*If you have selected your own output profile (4), you will also be able to adjust the rendering intent. See ["Rendering intents"](#) on page 212.*

---

## **SIMULATING ANOTHER PRINTER - RGB SOURCE DATA**

The Graphic Pro colour matching system can be used to simulate the colour output of another printer.



- |                           |   |
|---------------------------|---|
| 1. RGB data               | 4. Printed document                             |
| 2. RGB source profile     | 5. Scanner, monitor, camera, etc.               |
| 3. Printer output profile | 6. Leave on Auto or select your custom profile. |
- 

**NOTES**

- 1.** *Be aware that if the device you are trying to simulate has different colour capabilities from your own MFP, exact colour simulation will not be possible. For example, it may be difficult to reproduce the exact colours of an ink jet printer on a toner-based printer.*
  - 2.** *Additionally, differences in the range of printable colours between different devices can make simulation using RGB source data inaccurate. To achieve best results when simulating the colour output of other printers, you are strongly advised to use CMYK data as a source. See ["CMYK ink simulations - CMYK source data"](#) on page 210.*
-

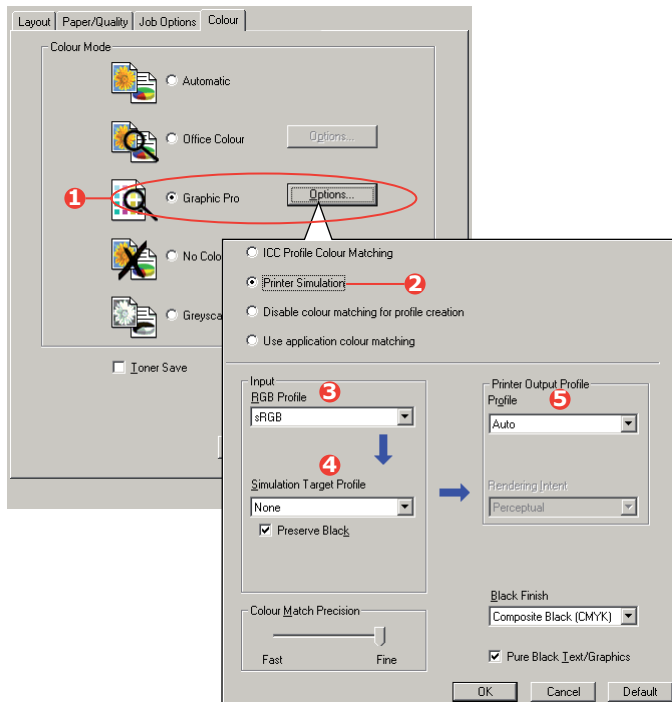
To simulate the output of another printer, you need to download at least 2 profiles to your MFP using Profile Assistant:

- > RGB Source Profile
- > Simulation Target Profile
- > Printer Output Profile (optional)

Once the profile(s) have been down loaded, make the appropriate selections in the printer driver, as described below.

If you are using a source RGB document, simulate the output of another printer by making the following selections in the printer driver:

1. On the printer driver [Colour] tab, select [Graphic Pro] (1) and click [Options].



2. Select [Printer Simulation] (2).

- 3.** Select the ICC profile that corresponds to the device used to capture or display your source document - this could be a monitor, scanner or digital camera (3).
- 4.** Remember that the names "RGB Source 1", "RGB Source 2" and so on relate to the number assigned to the profile using Profile Assistant. See ["Step 2 - Down loading ICC profiles to the hard disk" on page 203.](#)
- 5.** Select a Simulation Target Profile (4).
- 6.** This profile corresponds to the printer you want to simulate.
- 7.** If you wish to produce black and grey colours that are printed using only black toner, enable the [Preserve Black] option. Although this produces a better quality print, the black and grey colours will not be simulated accurately.
- 8.** Select your output profile (5).
- 9.** If [Auto] is selected, the factory default profiles that are embedded in the MFP will be used. If you have created a profile yourself using profile creation software, select it here and choose a rendering intent. See ["Rendering intents" on page 212.](#)

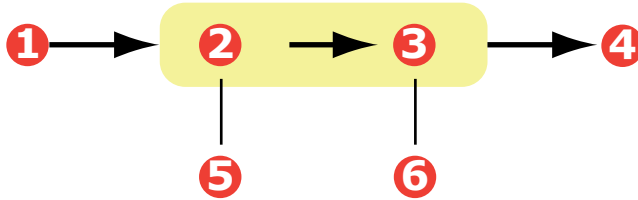
## CMYK INK SIMULATIONS - CMYK SOURCE DATA

The ICC-based colour matching system can be used to simulate the output on commercial printing presses.

You can select from the ink types most commonly used in different regions of the world:

- > Euroscale – Europe
- > Swop – North America
- > Toyo – Japan

To print CMYK Ink Simulations, you must use PostScript printer driver supplied.



- |                           |   |
|---------------------------|---|
| 1. CMYK data              | 4. Printed document                                   |
| 2. CMYK input profile     | 5. CMYK device you wish to simulate (e.g. SWOP press) |
| 3. Printer output profile | 6. Leave on Auto or select your custom profile        |

Although it is possible to perform CMYK ink simulations using the Office Colour options in the printer driver, we recommend that you use the Graphic Pro colour matching system to perform CMYK ink simulations, as this provides additional controls, such as using the "Preserve Black" feature, or specifying an alternative printer output profile.

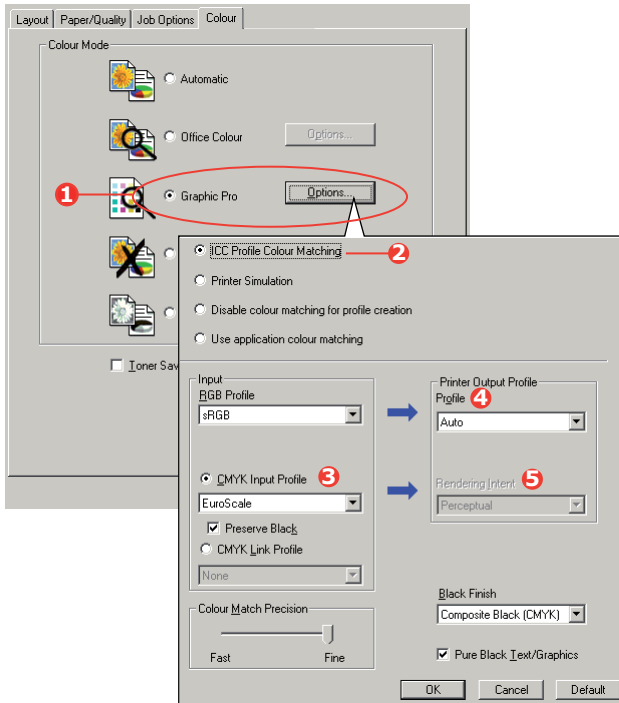
---

### NOTE

*This information applies to the Windows PostScript driver only.*

---

If you are using a source CMYK document, use the following printer driver settings to perform a CMYK Ink Simulation:



1. On the printer driver [Colour] tab, select [Graphic Pro] (1) and click [Options].
2. Select [ICC Profile Colour Matching] (2).
3. Select the [CMYK Input profile] (3) that corresponds to the device you are trying to match such as a SWOP or EuroScale Press. If you have another CMYK Ink profile that you wish to use, select it here as the appropriate "CMYK Source x" profile.

Remember that the names "CMYK Source 1", "CMYK Source 2" and so on relate to the number assigned to the profile using Profile Assistant. See ["Step 2 - Down loading ICC profiles to the hard disk"](#) on page 203.

Use the [Preserve Black] option to keep the original grey component (K channel) information. If [Preserve Black] is

disabled, the grey components may be printed using a mixture of CMYK toner, instead of just K (black) toner.

**4.** Select a Printer Output Profile (4).

If [Auto] is selected, the factory default profiles that are embedded in the MFP will be used. If you have created a profile yourself using profile creation software, select it here.

If you have selected a profile other than [Auto], select the [Rendering Intent] (5). (See "[Rendering intents](#)" on [page 212](#).)

## **RENDERING INTENTS**

When selecting the Printer Output Profile, if you select any other profile apart from [Auto], you can select the Rendering Intent. The rendering intents are essentially a set of rules that determine how colours that fall outside of the printable colours are treated.

Select the rendering intent that best suits the document you are printing.

### **PERCEPTUAL**

This option is recommended for printing photographs.

Typically, perceptual rendering desaturates all the colours when printing. This brings unprintable colours into the printer's range, whilst keeping the relationships between the colours the same.

### **SATURATION**

This option is recommended for printing business graphics if you want vivid colours. This will not necessarily produce accurate colour, as the emphasis is on maintaining saturation.

### **RELATIVE COLORIMETRIC**

This option is best for printing solid colours and tints. Use Relative Colorimetric when printing from a drawing program such as Adobe Illustrator, or Macromedia Freehand.



## **ABSOLUTE COLORIMETRIC**

This option is recommended if you are proofing images on your MFP that are intended for final output on a printing press. This may result in a visible colour cast on your print as it will also try to simulate the paper white of the target device.

## **PURE BLACK TEXT / GRAPHICS**

When your document is printed, often the pure black colours will not be printed using 100% black toner. Instead, these pure black colours are sometimes converted and printed using a mixture of CMYK toner.

Using the Pure Black Text / Graphics feature ensures that 100% black text or graphics in your document is printed using pure black toner.

This means that the following colours in your documents will be printed using only 100% black toner:

RGB      Red = 0, Green = 0, Blue = 0

CMYK     Cyan = 0%, Yellow = 0%, Magenta = 0%,  
          Black = 100%

## **COLOUR MATCH PRECISION**

When the MFP performs colour matching, it must do many calculations to convert between different colour formats (RGB, CMYK, etc.). These calculations can take time to process.

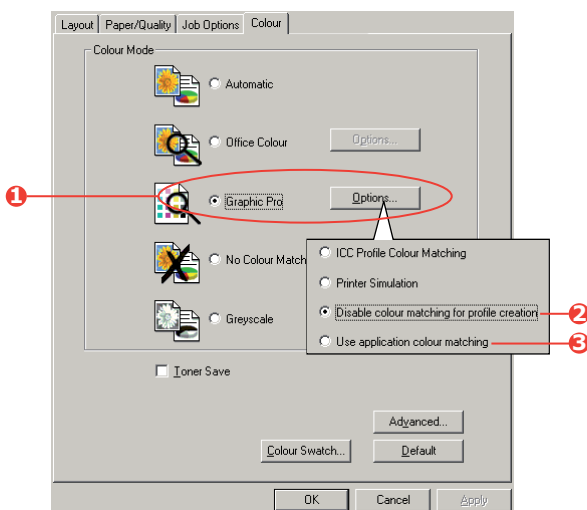
The [Colour Match Precision] option allows you to choose between higher quality colour matching (more time consuming) or faster but less accurate colour matching.

## **PRINTER DRIVER SETTINGS FOR ICC PROFILE CREATION OR NO COLOUR MATCHING**

If you are creating ICC profiles using third-party software, select [Disable Colour Matching for ICC Profile Creation]. This option switches off all printer colour management and also prevents the MFP from restricting toner layer thickness.

If you are using your application colour matching, select [Use Application Colour Matching]. This option switches off all printer colour management.

1. On the PCL printer driver [Colour] tab, select [Graphic Pro] (1) and click [Options].
2. Select [Disable Colour Matching for Profile Creation] (2) if you are creating an ICC profile using third-party profile creation software. Select [Use Application Colour Matching] (3) if you wish to switch off all printer colour management and use your application's colour matching.



## FINISHING OPTIONS

Your MFP offers a wide selection of document finishing options that help you to control the final form of your printed document.

Depending on the hardware fitted, either as optional upgrades or included as standard and on which model you have, your system can offer a number of choices.

For detailed information on these options see:

- > ["Booklet printing \(imposition\)" on page 215](#)
- > ["Collating" on page 218](#)
- > ["Colour separation" on page 219](#)
- > ["Separating queued print jobs" on page 220](#)
- > ["Cover print" on page 221](#)

- > "Custom page size" on page 222
- > "Duplex (double-sided) printing" on page 225
- > "Printing multiple pages on one sheet (N-up)" on page 227
- > "Poster printing" on page 228
- > "Scale to page" on page 230
- > "Watermarks" on page 230

## **BOOKLET PRINTING (IMPOSITION)**

Booklet printing in the Windows drivers printing allows printing of multi-page documents with their pages ordered and arranged so that final printed output can be folded into a booklet. Typically, A4 pages would be reduced to A5 and printed side by side on both sides of A4 paper, so that the paper can be folded into a booklet.

Since this feature prints on both sides of the page, it requires a duplex unit to be installed in the MFP, and at least 256MB of additional memory (512MB in total).

---

### *NOTES*

- 1. To find out how much memory currently installed, print out a menu map from the control panel.*
- 2. A few applications do not support booklet printing, but most do.*

---

When using the PostScript driver, if you plan to print a long document, more than about 16 pages, consider printing it in sections of 8 or 16 at a time. This is called the "signature," and will avoid having too thick a stack of paper to fold to make your booklet. Your document will then be printed in a series of booklets which can be stacked one above the other. This is usually a neater arrangement.

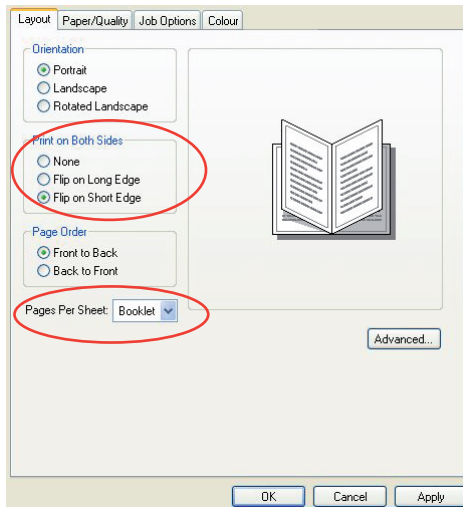
The above considerations do not matter when using the PCL driver as the signature can be set within the driver, and a long document can be printed directly as a series of booklets.

Note that the number of pages in a booklet is always a multiple of four, since two pages are printed on each side of each sheet of paper. If your document is not a multiple of four pages long, the last one, two or three pages in your folded booklet will be blank.

## Windows PostScript

(Windows 2000/XP/Server 2003 only)

1. In the driver's [Layout] tab, choose [Booklet] from the [Pages Per Sheet] drop-down list.



2. Check that the duplex option is set to [Flip on Short Edge].

---

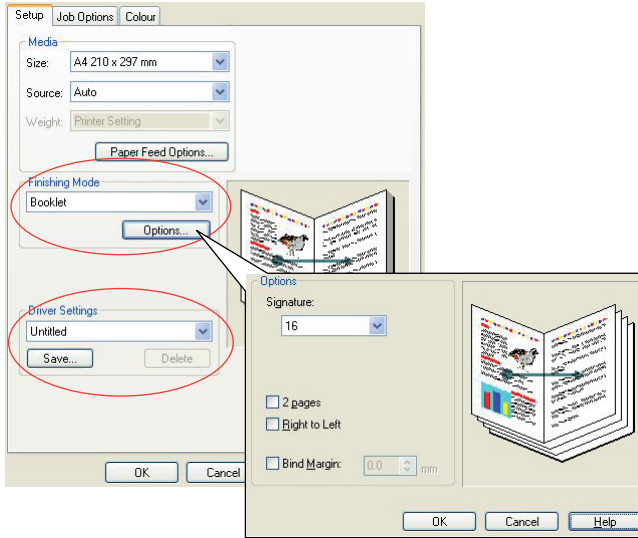
### NOTE

If the Booklet choice is not shown, check that the Duplex option is enabled in the driver. ("[Setting the driver device options](#)" on page 188)

---

## Windows PCL

1. In the driver's [Setup] tab, recall any saved [driver settings] you may wish to use.



2. Choose [Booklet] from the [Finishing Mode] drop-down list, then click [Options].
3. In the Options window you can set the [signature] size, the number of [pages] per side of paper and the [binding margin] if your document is going to be thick. The graphic in this window shows the effect of each choice you make.

---

### NOTE

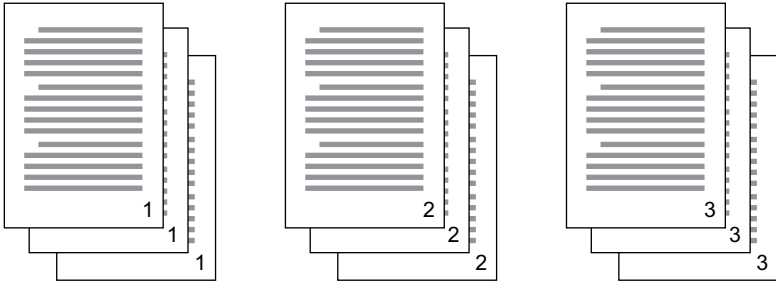
If the Booklet choice is not shown, check that the Duplex option is enabled in the driver. (See "[Setting the driver device options](#)" on page 188.)

---

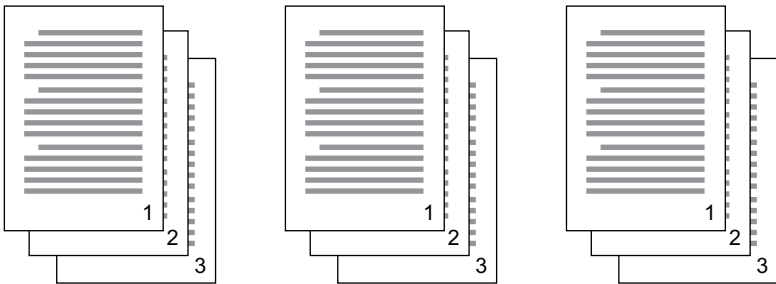
## COLLATING

This feature allows multiple copies of a multi-page document to be printed with the pages of each copy in sequence.

Uncollated pages print like this



Collated pages print like this

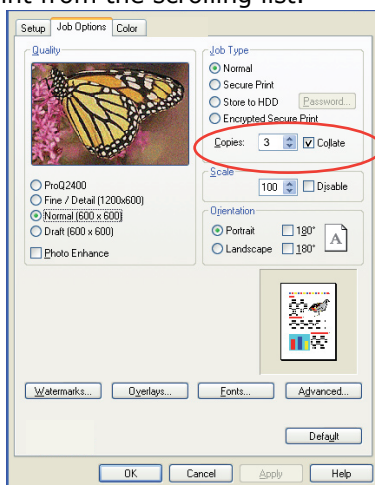


**Application collate**—Some application programs have a collate feature in their print options. In this case the application performs the document collation and may send the job multiple times to the MFP. Generally, this method is slower but can be more reliable.

**Printer collate**—This section describes the collate function built into the printer driver. In this case the job is stored temporarily in MFP memory or on the MFP's hard disk (if installed), and the MFP performs collation. This method is normally faster, but may not work from all applications.

If you experience problems using MFP collate, use the collate option in your application's print options instead.

1. If using the PCL driver, on the [Setup] tab first choose any saved [driver settings] that you wish to use. See ["Recalling saved driver settings" on page 188.](#)
2. In the [Job Options] tab, choose how many [copies] you want to print from the scrolling list.

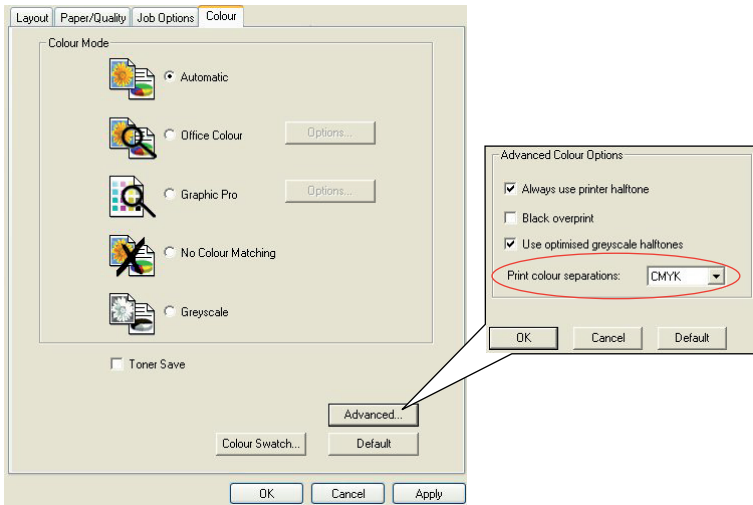


3. Click the [Collate] checkbox.

## COLOUR SEPARATION

The colour separation feature prints each of four primary colours as separate greyscale images. This is a proofing facility that indicates the relative densities of each of the four toner colours in your print document. The darker an area appears, the more of the corresponding toner colour will be used when printing in full colour.

1. In the postscript driver's [Colour] tab, click [Advanced].

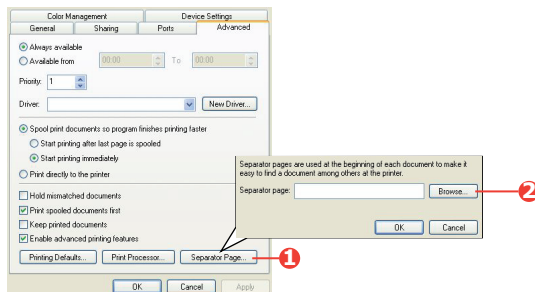


2. Select which [separations] you want to print from the drop-down list.

## SEPARATING QUEUED PRINT JOBS

When you share an MFP with other users it can be useful to print a special page between print jobs to help locate each user's job in a paper stack at the MFP. In Windows this page is called a "separator page".

The separator page is set from the printer driver's default properties window. Access to this is directly from Windows, not from within your application program. See ["Changing the driver defaults" on page 187](#)





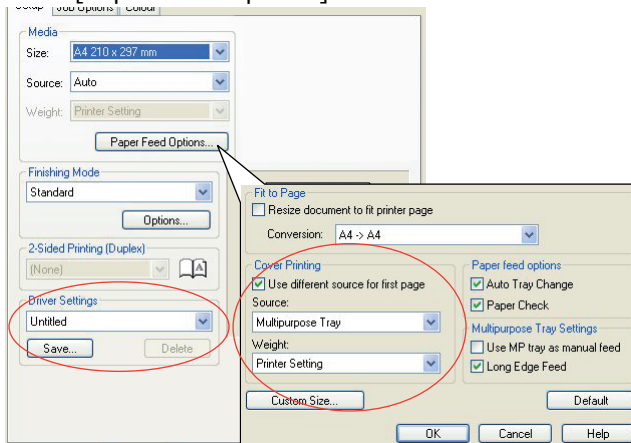
1. In the driver's Advanced tab click the [Separator Page...] button (1).
2. Click [Browse] (2) and navigate to a file containing an image of the separator page you wish to use, then click [OK].

## COVER PRINT

Cover print is when the first page (cover) of a print job is fed from one paper tray, and the remaining pages of the print job are fed from another paper tray.

This feature is not available in the Windows postScript drivers.

1. In the Setup tab, choose any saved driver settings you wish to use. See ["Recalling saved driver settings" on page 188](#)
2. Click [Paper Feed Options].



3. Check the [Use different source for first page] checkbox.
4. Choose the tray you want to feed the cover page from and the paper type in the [Source ->] and [Weight] drop-down lists.

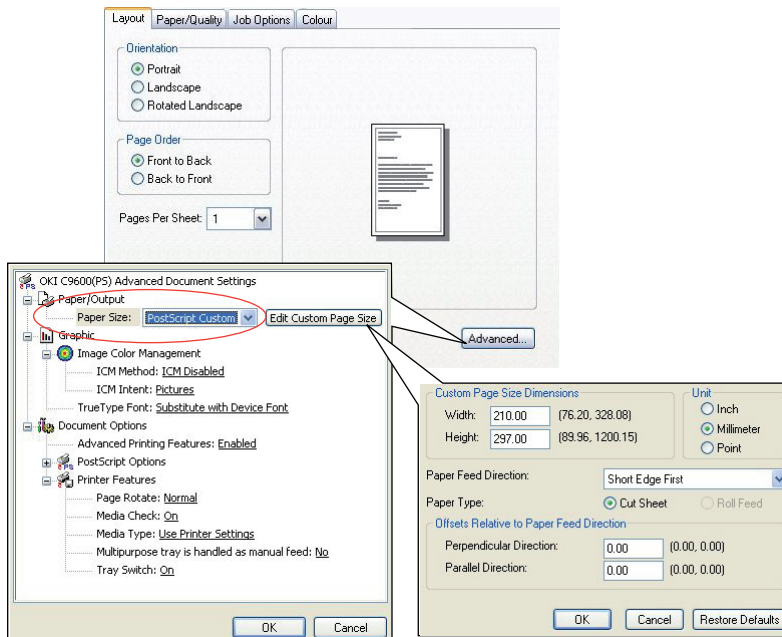
## CUSTOM PAGE SIZE

This feature enables printing on non-standard sized print media. The multipurpose tray is used for feeding non-standard media sizes. Print media width can be from approximately 76mm to 328mm, and its length can be from 90mm to 1200mm. Actual limits vary slightly depending on which printer driver you use and your computer's operating system.

Some applications software may not produce the desired results with non-standard print media sizes, and some experimentation may be required to obtain the results you want.

### Windows XP/2000 PostScript

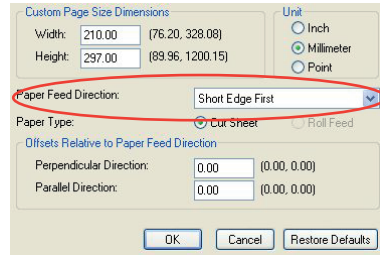
1. In the driver's [Layout] tab, click [Advanced].



2. In the Advanced Options window, under [Paper/Output], choose [PostScript Custom Page Size] from the [Paper Size] drop-down list.

3. In the PostScript Custom Page Size Definition window, Choose your [paper feed direction] from the drop-down list.

The available choices are:



Short edge first	The page is portrait (tall) format and you will feed the top of the page into the MFP.
Long edge first	The page is landscape (wide) format and you will feed the top of the page into the MFP.
Short edge first flipped	The page is portrait (tall) format and you will feed the bottom of the page into the MFP.
Long edge first flipped	The page is landscape (wide) format and you will feed the bottom of the page into the MFP.

Notice that the size ranges available swap places when you change the paper feed direction between a portrait and a landscape choice.

Remember that the width of the multipurpose tray is limited to the long edge of an A4 sheet (297mm), so, if your paper is longer than this, you will have to feed it short edge first.

4. You can also position the page image on the paper to avoid printing too close to the edge by choosing an [Offset].

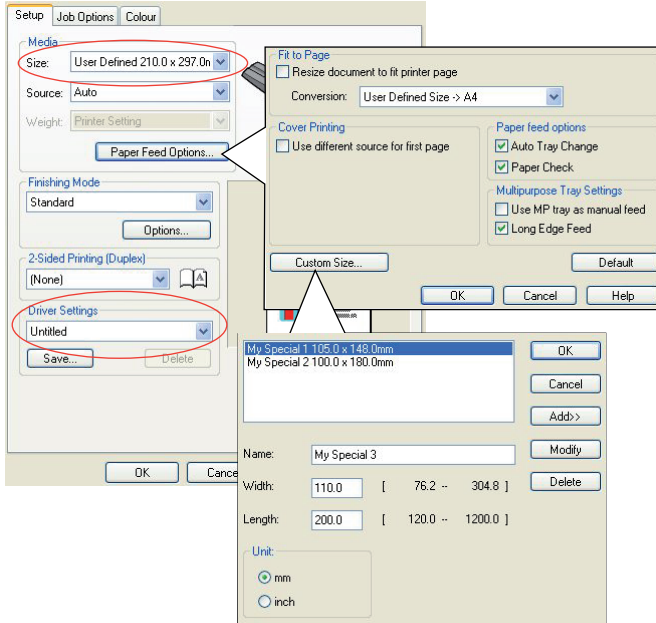
Offset relative to [perpendicular] direction adds to your left margin.

Offset relative to [parallel] direction adds to your top margin (normal feed) or bottom margin (flipped feed).

5. Click [OK] to close the PostScript Custom Page Size Definition window.
6. Click [OK] to close the Advanced Options window.
7. In the driver's window, choose the [Multipurpose Tray] as the [Paper Source].

## Windows PCL

1. In the driver's [Setup] tab, select any previously saved settings you wish to use.



2. Click the [Paper Feed Options] button.
3. In the Paper Feed Options window, click [Custom Size].
4. If you have previously saved any special custom sizes they will be listed in the Custom Size window.
5. To use a previously saved custom size, click its name in the list.

To create a new custom size:

- (a) Enter its dimensions in the [Width] and [Length] boxes.
  - (b) Enter a name for the new size in the [Name] box, and click [Add] to save it in the list.
6. Click [OK] to accept your chosen size and close the Custom Size window.

7. If this is the size of your document but you want to scale it to fit a standard size of paper, click [Resize document to fit printer page] in the Paper Feed Options window, and choose the MFP's actual paper size from the [Conversion] drop-down list.

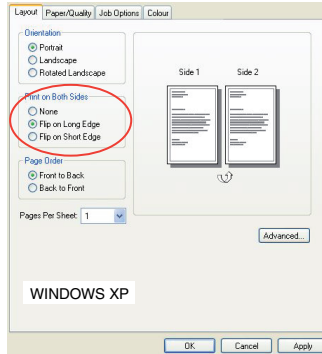
## **DUPLEX (DOUBLE-SIDED) PRINTING**

If your MFP has a duplex unit installed you can print on both sides of the paper, to save paper, weight, bulk and cost.

- > Only paper can be used for duplex printing, not transparencies or other media.
- > Use paper stock of 75–120 g/m<sup>2</sup>. If you experience excessive curling with 75–90 g/m<sup>2</sup> paper, use 105 g/m<sup>2</sup>.
- > Use standard sized paper stock only, e.g. A4, A3, Letter, etc.
- > Load the paper print side up. Ream wrappers are usually marked with an arrow, indicating which is the print side.
- > Paper can be fed from standard paper trays, including the high capacity feeder if you have one, but not from the multipurpose tray.
- > Do not set the paper weight to Ultra Heavy.
- > Do not enable the White Page Skip function.

## Windows PostScript

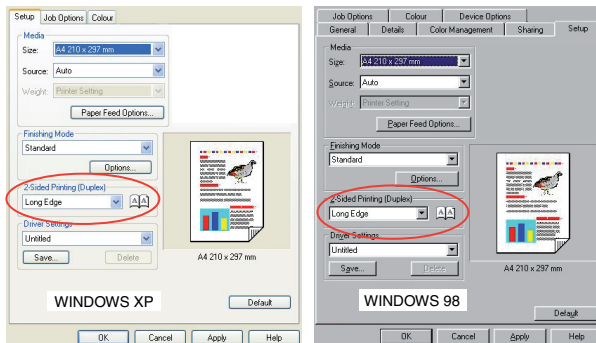
1. In the driver's Layout tab, under [2-Sided Printing], select the binding edge you want.



For portrait (tall) page layout the usual choice is [Long Edge]. For landscape (wide) page layout the usual choice is [Short Edge]. Choosing [Off] turns off duplex printing and your document will be printed single-sided.

## Windows PCL

1. In the driver's Setup tab, under [2-Sided Printing], select the binding edge you want.



For portrait (tall) page layout the usual choice is [Long Edge]. For landscape (wide) page layout the usual choice is [Short Edge].

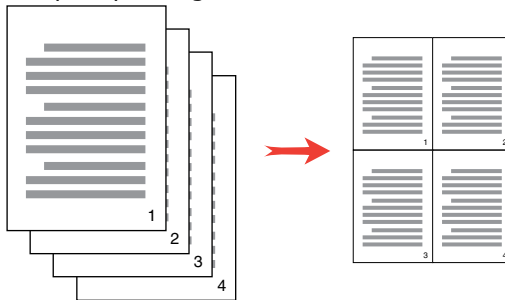
Choosing [Off] turns off duplex printing and your document will be printed single-sided.

## PRINTING MULTIPLE PAGES ON ONE SHEET (N-UP)

This feature scales the page size of your document for printing and reproduces several pages per sheet.

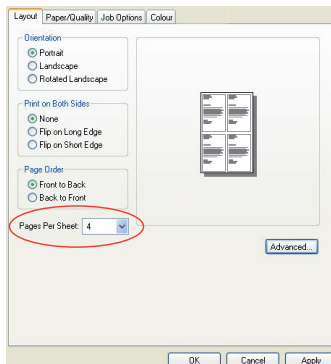
This is useful when you simply want to proof your page layout, or distribute your document in a more compact format. It saves paper, bulk, weight and cost.

If you have a duplex unit installed, you can even combine this feature with duplex printing to save even more.



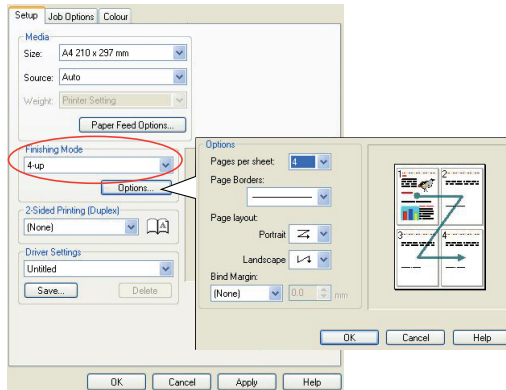
## Windows PostScript

1. In the driver's Layout tab, choose the number of pages ("N-up") you want to print on each sheet. 1-up is normal, 16-up is maximum.



## Windows PCL

1. In the driver's Setup tab, choose the number of pages ("N-up") you want to print on each sheet. 1-up is normal, 16-up is maximum.



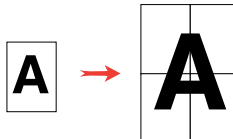
2. Click [Options] to choose from the available options for this feature.

From here you can choose the page printing order, the page layout, whether you want printed page borders, and a binding margin if you need it.

## POSTER PRINTING

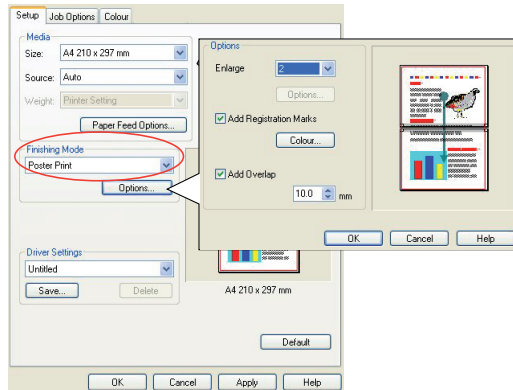
This option allows you to print posters by dividing a single document page into multiple pieces (sometimes called "tiles"). Each piece prints, enlarged, on a separate sheet. Then, you combine the separate sheets to create a poster.

Poster Print is only available with the Windows PCL printer drivers.





1. In the driver's Setup tab, under [Finishing Mode], choose [Poster Print].



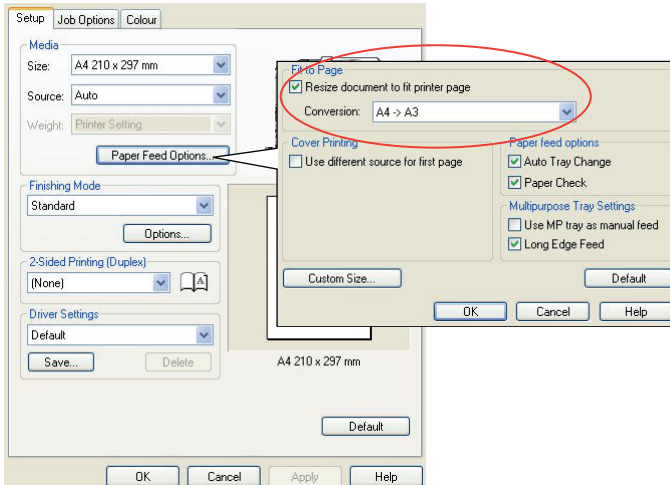
2. Click [Options] to open the Options window.
  - (a) Choose the [enlargement] required for your document to fill the poster.
  - (b) [Registration marks] can be printed if required so that your printed pages (tiles) can be trimmed exactly to the edge of the image.
  - (c) An [overlap] may help you to match adjacent tiles when making up your final poster.

## SCALE TO PAGE

Scale to Page allows you to print data formatted for one size page onto a different size page, without modifying the print data.

This feature is only available with the Windows PCL drivers.

1. In the driver's Setup tab, click the [Options] button.



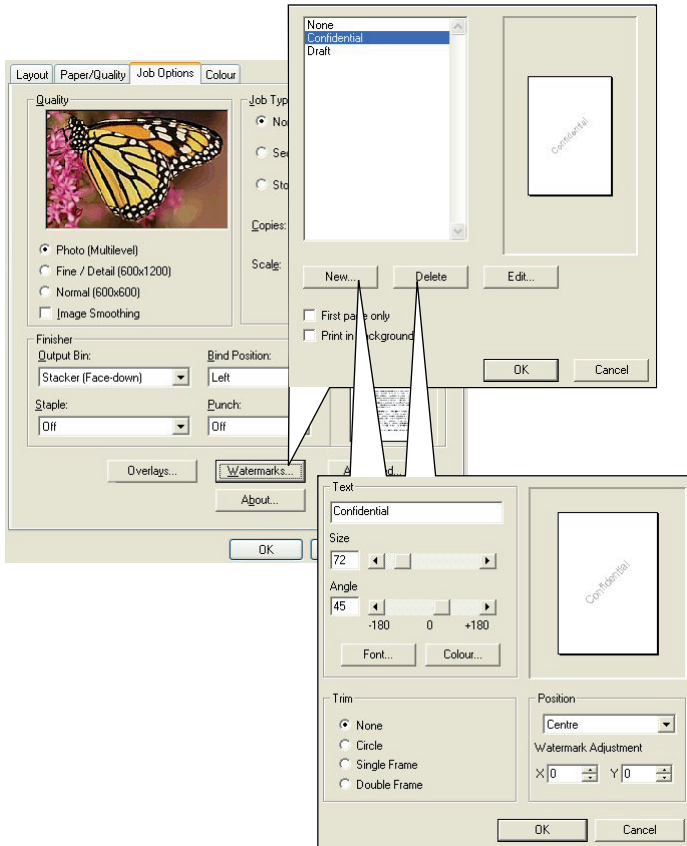
2. Check the [Fit to Page] checkbox.
3. Choose the scaling factor you need from the [Conversions] drop-down list.

## WATERMARKS

A watermark is typically faint text that is superimposed on a printed document. This can be used to indicate that the document is "Draft", or perhaps "Confidential".

The illustration below shows the Windows PostScript driver. The PCL driver is very similar.

The Watermarks Feature is found in the driver's [Job Options] tab. Click the [Watermarks] button.



### To create a new watermark

1. In the Watermarks window, click [New...].
2. Enter the text you want for your watermark.
3. Adjust your watermark's font, size, colour, angle, position and border (trim) as required.
4. Click [OK] to accept your changes.

### **To choose a previously created watermark**

In the Watermarks window, click the watermark in the list.

### **To edit an existing watermark**

- 1.** In the Watermarks window, click the watermark's name in the list.
- 2.** Click [Edit...].
- 3.** Make any adjustments you wish, and click [OK] to accept your changes.

### **To print using a watermark**

- 1.** In the Watermarks window, click the watermark's name in the list.
- 2.** Click [OK] to close the Watermarks window.
- 3.** Click [OK] to close the Printer Properties window.
- 4.** Print your document.

# SPECIFICATIONS

**ES2032 N31174B**

	ITEM	SPECIFICATION
General		
	Dimensions	500 x 600 x 670mm (W x D x H)
	Weight	37Kg approximately
	Power source	Input: 220 to 240VAC, 50 to 60Hz
	Power consumption	Max. operating: 1200W Normal operating: 490W Stand-by: 110W Power save mode: <27W
	Environmental: Noise Temperature Humidity	<70dBA 10°C to 32°C 20% to 80% RH
Scanning		
	Image sensor	Colour CCD
	Light source	Cold Cathode Fluorescent Lamp
	Optical resolution	1200 x 1200 dpi
	Output quality	Input: 48 bit colour Output: 24 bit colour 8 bit Greyscale 4 bit CMYK 1 bit Monochrome
	LCD size	Text, 24 x 2, mono
	LED indications	Power saving Warning Power
	External connections	RJ45 (Network) USB 2.0 (Computer) ADF port
	Network	10/100 Mbit

	ITEM	SPECIFICATION
	Network workgroup solution for:	Stand-alone copy E-mail (via Internet/Intranet) Filing Direct faxing
	Output format	PDF, JPEG, TIFF
	Interface USB 2.0 Host USB 2.0 Device Ethernet 10/100 Mb	Copy Scan E-mail, Scan to file, Print
ADF		
	Document size	114 x 140 to 216 x 355mm
	Document weight/ thickness	60 to 105 g/m <sup>2</sup>
	Paper feed	Face up
	Capacity	50 sheets of Xerox4024 DP 9.07Kg paper
	ADF life	240,000 scans or more, or 5 years
	Recommended daily scans	Up to 1000 pages a day
	Recommended pad replacement	50,000 scans
	Recommended roller replacement	200,000 scans
Copy Specification		
	Emulation	PostScript 3 PCL 5c, HP-GL, PCL XL, PCL 6e Epson FX IBM Pro Printer III XL
	Interface	USB 2.0
	Number of copies	Up to 99
	Resolution	600 x 600dpi
	Media type	Plain paper, Ultra Heavy, Transparency
	Quality	Speed, Text, Photo

	ITEM	SPECIFICATION
	Density control	5 levels
	Enlarge/reduce	Whole page (98%) 25% to 400% in 1% and 10% increments Preset Scaling
	Input tray	Tray 1/Tray 2 (optional)/MP Tray
	Paper supply	Letter SEF (Short Edge Feeding) Legal SEF A4 SEF A5 SEF
	Edge erase	0 to 25mm
	Margin shift	0 to 25mm
	Paper saving (N-up)	1 in 1 4 in 1 (Horizontal) 4 in 1 (Vertical)
	Collate	ON/Off
	Job counting	Copy, Scan, Print, Fax Enable/Disable
Network Specification		
	Connectivity	Ethernet 10BaseT/100BaseTX auto-negotiation with RJ-45 connector
	Communications protocol	TCP/IP, SMTP, HTTP, MIME, FTP, CIFS, DHCP, DNS, LDAP
	Supported browsers	Microsoft IE 4.1 or higher Netscape Navigator 4.0 to 4.78
	Configuration requirement	IP address Subnet mask Gateway SMTP server/POP3 server FTP server Web server
Fax Specification		
	Circuits	PSTN, PBX line
	Colour fax	No

	ITEM	SPECIFICATION
	Compatibility	ITU-T G3 (Super G3)
	Modem speed	33.6Kbps
	Line interface	Dual RJ-11C (Line and TEL)
	Line input level range	19dB to -43dB
	Coding	MH, MR, MMR, JBIG
	Receiving memory	1.5 Mb
	Resolution: Standard Fine Photo Extra fine	200 x 100dpi 200 x 200dpi 200 x 200dpi 200 x 400dpi
	Speed dials	200
	One-touch dial	10
	Group dial	20 (up to 50 entries per group)
	Auto redial	Yes
	Manual redial	Yes
	Broadcast	Yes (max. 100 station)
	Sender ID	Yes (max. 32 characters)
E-mail Specification		
	Communication protocol	SMTP, MIME, POP3
	File formats: B&W Grey/Colour	PDF, TIFF, MTIFF PDF, TIFF, MTIFF, JPEG
	Default file format	PDF
	Separation limit	1MB, 3 MB, 5MB, 10 MB, 30MB, No limit
	Resolution	75, 100, 150, 200, 300, 400, 600 dpi
	Default resolution: B&W Grey/Colour	200 dpi 150 dpi



	ITEM	SPECIFICATION
	Address book volume: Max. addresses Group No. of addresses in each group	300 20 50
	Multiple recipients allow	Yes
	Security check	Yes
	Mail server authentication	SMTP, POP3
	Supported mail server application	Lotus Mail Server 5.0 MS Exchange Server 2000 RedHat 7.0 SendMail
	Supported LDAP server	Windows 2000 Active Directory Windows NT 4.0 + MS Exchange 5.5 Lotus Notes R5
	Supported mail application	Microsoft Outlook 2000 Microsoft Outlook Express 5.0 Microsoft Outlook Express 6.0 Netscape Messenger 4.7 Netscape Messenger 4.73 Eudora 4.3.2J Lotus Notes R5
<b>Filing Specification</b>		
	Communication protocol	FTP, HTTP, CIFS
	File formats: B&W Grey/colour	PDF, TIFF, MTIFF PDF, TIFF, MTIFF, JPEG
	Default file format	PDF
	Resolution	75, 100, 150, 200, 300, 400, 600 dpi
	Default resolution: B&W Grey/Colour	200 dpi 150 dpi

	ITEM	SPECIFICATION
	Max. number of profiles	40
Printing		
	Speed	20 pages per minute colour/32 pages per minute monochrome
	Resolution	600 x 600dpi 600 x 1200dpi Optical: 600x600dpi
	Auto features	Auto registration Auto density adjustment Auto consumable counter reset
	Memory	256MB standard, upgradeable to 512MB
	Paper capacity at 80g/m <sup>2</sup>	300 sheets in main tray 100 sheets in multi purpose tray 530 sheets in optional 2nd tray
	Paper weight	64 ~ 120g/m <sup>2</sup> in main tray 75 ~ 203g/m <sup>2</sup> in multi purpose tray 64 ~ 176g/m <sup>2</sup> in optional 2nd tray
	Paper output	250 sheets in face down (top) stacker @ <80g/m <sup>2</sup> 100 sheets in face up (rear) stacker @ <80g/m <sup>2</sup>
	Printer life	420,000 pages or 5 years
	Duty cycle	50,000 pages per month max., 4,000 pages per month average
	Toner life	Black: 6,000 pages at 5% coverage CMY: 5,000 pages at 5% coverage
	Image drum life	20,000 pages (typical office usage)
	Belt life	60,000 A4 pages at 3 pages per job
	Fuser life	60,000 A4 pages

# INDEX

## A

About RGB and CMYK colour ..... 197

## B

Belt

    how to replace ..... 133  
    life expectancy ..... 120  
    life remaining ..... 59

Black printing (black generation) ..... 190

Blacks and Greys ..... 189

Booklet printing

    PCL emulation ..... 77  
    PostScript emulation ..... 76

Booklets, printing

    Windows PS ..... 216

## C

Cassette tray ..... 23

Changing the application's driver

    settings ..... 187  
    Changing the driver defaults ..... 187

Clearing paper jams ..... 154

    In the ADF ..... 154

    In the printer ..... 155

CMYK ink simulations - CMYK source

    data ..... 210

Collating

    Windows ..... 218

Colour

    adjusting ..... 52

Colour match precision ..... 213

Colour matching ..... 194

    application ..... 194

    basics ..... 194

    Graphic Pro ..... 196

    Graphics Pro ..... 200

    ICC profiles ..... 202

    operating system ..... 194

    printer ..... 195, 196

    RGB ..... 197

Configuration ..... 35

Configuring Your machine ..... 30

Configuring your machine...

    ...from the Control Panel ..... 38

    ...from the Web Page ..... 38

Cover page ..... 220

    Windows PCL ..... 221

Custom page size

    Windows XP/2000 PCL ..... 224

    Windows XP/2000 PS ..... 222

Customising RGB office colour ..... 200

## D

Duplex

    selecting in Windows ..... 76, 77

## E

Envelopes

    loading ..... 28

Explanation of filing protocols ..... 61

    FTP ..... 61

    HTTP ..... 61

## F

Face down stacker ..... 24

Face up stacker ..... 24

Fine lines enhancement ..... 192

Finishing options ..... 214

    Collating ..... 218

    Cover print ..... 221

    Custom page size ..... 222

    Duplex (double-sided)

        printing ..... 225

    Poster printing ..... 228

    Printing multiple pages on one sheet

        (N-up) ..... 227

    Scale to page ..... 230

    Watermarks ..... 230

Fonts

    printing a list ..... 45

Fuser

    how to replace ..... 137

    life expectancy ..... 120

    life remaining ..... 59

## G

Graphic pro ..... 200

Graphic pro workflow -

    overview ..... 202

Greyscale printing ..... 192

## H

Hard disk drive

    how to install ..... 149

How to access the driver

    screens ..... 186

## I

ICC profiles ..... 202

    where to obtain ..... 203

Image drum

    how to replace ..... 128

    life expectancy ..... 120

Image drums

    current usage state ..... 59

Information Codes/messages ..... 167

    during E-mailing ..... 180

during Filing .....	183
during Networking.....	180
during scanning and copying .....	167, 171
Installing MFP drivers and Utilities	
MFP Setup tool .....	21
Twain and Printer Drivers .....	20
Internet Communication Features ...	34
Scan to E-mail .....	34
Scan to FTP .....	34
<b>J</b>	
Job Log Menu.....	60
<b>L</b>	
Loading Paper .....	25
Cassette tray.....	25
Multi purpose tray .....	28
<b>M</b>	
Matching the colour of a monitor, scanner or camera.....	205
Memory installing upgrade.....	146
Menus	
FX emulation .....	57
Maintenance menu .....	58
menu map .....	45
resetting .....	58
saving current settings .....	58
System configuration menu .....	54
Usage menu .....	59
MFP overview .....	16
Minimum Configuration Requirements .....	30
Multi purpose tray .....	23
how to use .....	28
paper metrics .....	23
<b>O</b>	
Office colour - RGB options .....	199
Operation .....	87
Adjusting Density .....	99, 104
Changing Scaling .....	98
Collation .....	96
Copy Quality.....	99
Copying .....	94
Edge Erase.....	96
Input Tray.....	97
Loading Document(s) for copying .....	87
Margin Shift .....	97
N-Up (Paper Save) .....	96
Paper Supply .....	97
Placing Document(s) on the Glass.....	89
Scanning.....	110
Sending Document(s) to a File Server.....	93
Sending Document(s) via E-mail .....	89
Overlays printing a list.....	45
<b>P</b>	
Page orientation portrait or landscape .....	76
Paper	
jam clearing .....	154
loading cassette tray .....	25
loading letterhead .....	26
recommended types .....	22
supported sheet sizes .....	23
weight selection in Windows .....	77
weights and sizes.....	49
Paper recommendations	
Business cards.....	22
Envelopes .....	22
Labels .....	22
Pre-printed stationery.....	22
Transparencies .....	22
PBX dialling .....	71
Poster printing .....	77
Power saving	
delay time.....	54
enabling or disabling .....	58
PPR emulation.....	56
Pre-Installation Information .....	30
DHCP Enable .....	31
DNS server .....	32
Gateway IP .....	31
IP Address .....	31
POP3 Port .....	32
POP3 Server.....	32
SMTP Port .....	32
SMTP Server .....	32
Subnet Mask .....	31
Print order	
face down stacker .....	26
face up stacker .....	27
face up/down stacker .....	76
Print quality adjusting .....	59
Print settings how to save .....	77
Printer colour management.....	196
Problem checklist .....	164
Pure black text / graphics .....	213
<b>R</b>	
Rendering intents .....	212

## **S**

Secure documents	
printing.....	80
Secure printing.....	78
Separator page .....	220
Setting the driver device	
options .....	188
Simulating another printer - RGB source	
data .....	207
Specifications.....	233
ADF.....	234
Copy .....	234
E-mail .....	236
Filing .....	237
Printing.....	238
Scanning.....	233
Store to hard disk.....	82
Switching off correctly.....	46

## **T**

Toner	
current usage state .....	59
how to replace.....	122
life expectancy.....	120
Types of ICC profile supported.....	202

## **U**

Upgrades	
duplex unit.....	24
user guide	
list .....	13
printing.....	15

**OKI EUROPE LIMITED**

Central House

Balfour Road

Hounslow TW3 1HY

United Kingdom

Tel: +44 (0) 208 219 2190

Fax: +44 (0) 208 219 2199

**[WWW.OKIEXECUTIVESERIES.COM](http://WWW.OKIEXECUTIVESERIES.COM)**

