

OKI

ML5100FB eco

User's Guide



PREFACE

Every effort has been made to ensure that the information in this document is complete, accurate, and up-to-date. The manufacturer assumes no responsibility for the results of errors beyond its control. The manufacturer also cannot guarantee that changes in software and equipment made by other manufacturers and referred to in this guide will not affect the applicability of the information in it. Mention of software products manufactured by other companies does not necessarily constitute endorsement by the manufacturer.

While all reasonable efforts have been made to make this document as accurate and helpful as possible, we make no warranty of any kind, expressed or implied, as to the accuracy or completeness of the information contained herein.

The most up-to-date drivers and manuals are available from:

www.okiprintingsolutions.com

Copyright © 2012 Oki Data Corporation. All rights reserved.

OKI is a registered trademark of Oki Electric Industry Co., Ltd.

Oki Printing Solutions is a trademark of Oki Data Corporation.

Hewlett-Packard, HP, and LaserJet are registered trademarks of Hewlett-Packard Company.

Microsoft, MS-DOS and Windows are registered trademarks of Microsoft Corporation.

ENERGY STAR is a trademark of the United States Environmental Protection Agency.

Apple, Macintosh, Mac and Mac OS are trademarks of Apple Inc.

Other product names and brand names are registered trademarks or trademarks of their proprietors.



As an ENERGY STAR Program Participant, the manufacturer has determined that this product meets the ENERGY STAR guidelines for energy efficiency.



This product complies with the requirements of the Council Directives 2004/108/EC(EMC), 2006/95/EC(LVD) and 2011/65/EU(ROHS) as amended where applicable, on the approximation of the laws of the member states relating to electromagnetic compatibility, low voltage and restriction of hazardous substances.

The following cables were used to evaluate this product to achieve EMC directive 2004/108/EC compliance and configurations other than this may affect that compliance.

CABLE TYPE	LENGTH (METRE)	CORE	SHIELD
Power	1.8	✘	✘
USB	5	✘	✓
Parallel	2	✘	✓
LAN	2	✘	✓

MANUFACTURER

Oki Data Corporation,
4-11-22 Shibaura, Minato-ku,
Tokyo 108-8551,
Japan

IMPORTER TO THE EU/AUTHORISED REPRESENTATIVE

Oki Europe Limited
Blays House
Wick Road
Egham
Surrey TW20 OHJ
United Kingdom

For all sales, support and general enquiries contact your local distributor.

ENVIRONMENTAL INFORMATION



CONTENTS

Preface	2
Manufacturer	3
Importer to the EU/authorised representative	3
Environmental Information	3
Contents	4
Notes, cautions and warnings	6
Introduction	7
About this guide	7
On-line usage	7
Printing pages	8
Getting started	9
Retaining packing materials	9
Identifying component parts	9
Front view	9
Rear view	10
Locating your printer	10
Powering on your printer	11
Producing a test print	12
Connecting to a computer	13
Interconnecting printer and computer	13
Interfaces	13
Interconnection	13
Installing the printer driver	14
Printing a test page	14
Printing from a computer	15
Paper handling	16
Loading cut sheet paper	16
Ejecting cut sheet paper	17
Loading continuous forms	18
Setting up continuous forms	18
Feeding continuous forms	18
Tearing off continuous forms	20
Aligning the tear-off perforations	21
Removing continuous forms	21
Setting the Paper Thickness lever	22
Operating instructions	24
Operator panel	24
Indicators	24
Button switches	25
Setting menu values	26
Confirming current settings	26
Menu setting	26
Menu items and settings	27
Initialising menu settings	33
Adjusting TOF position	33
Printer settings	34
Printer impact mode	34
Troubleshooting	35
Clearing paper jams	35
Cut sheet paper jammed in printer	35
Continuous forms jammed in printer	37
Responding to alarm conditions	38

Responding to general problems38
Cleaning your printer43
Printer exterior43
Printer interior43
Consumables and accessories45
Consumables45
Changing a ribbon cartridge45
Specifications49
Index50
Oki contact details51

NOTES, CAUTIONS AND WARNINGS

NOTE

A note provides additional information to supplement the main text.

CAUTION!

A caution provides additional information which, if ignored, may result in equipment malfunction or damage.

WARNING!

A warning provides additional information which, if ignored, may result in a risk of personal injury.

For the protection of your product, and in order to ensure that you benefit from its full functionality, this model has been designed to operate only with genuine original ribbon cartridges. Any other ribbon cartridge may not operate at all, even if it is described as "compatible", and if it does work, your product's performance and print quality may be degraded.

Specifications subject to change without notice. All trademarks acknowledged.

INTRODUCTION

Congratulations on purchasing this printer!

The ML5100FB eco is designed to provide highly reliable letter quality printing and high resolution graphics for the desktop/office printing environment. It combines state-of-the-art, 24-pin, serial impact dot matrix printing technology with advanced materials and superior construction to provide high performance and versatility in a desktop sized unit. Careful attention to ergonomics and application needs provides user friendly operation for operators of varying technical capabilities.

ABOUT THIS GUIDE

This manual is your user's guide (check the web site, www.okiprintingsolutions.com, for the most up-to-date version) for your printer and forms part of the overall user support listed below:

- > **Installation Safety booklet:** provides information as to safe use of the printer.
This is a paper document that is packaged with the printer and should be read before setting up your printer.
- > **Set-up guide:** to describe how to unpack, connect and turn on your printer.
This is a paper document that is packaged with the printer.
- > This **User's Guide:** to help you to become familiar with your printer and make the best use of its many features. Also included are guidelines for troubleshooting and maintenance to ensure that it performs at its best.
This is an electronic document stored on the manuals CD.
- > **Technical Reference Guide:** to provide detailed technical information for programmers and more technical users.
This is an electronic document available on the web site www.okiprintingsolutions.com.
- > **On-line Help:** on-line information accessible from the printer driver and utility software.

ON-LINE USAGE

This guide is intended to be read on screen using an Adobe Acrobat Reader. Use the navigation and viewing tools provided in Acrobat.

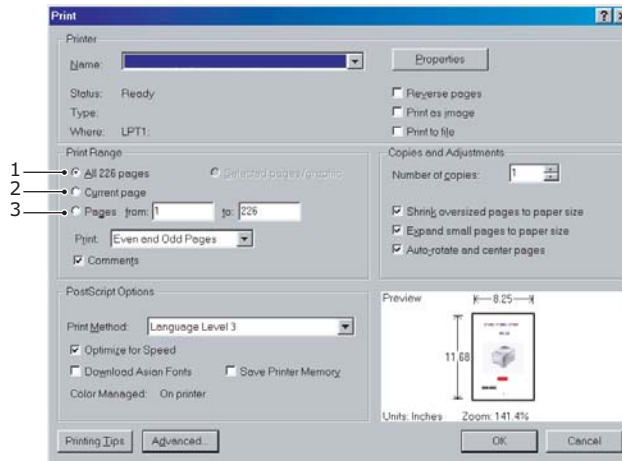
You can access specific information in two ways:

- > In the list of bookmarks down the left hand side of your screen, click on the topic of interest to jump to the required topic. (If the bookmarks are not available, use the "Contents" on page 4.)
- > In the list of bookmarks, click on Index to jump to the Index. (If the bookmarks are not available, use the "Contents" on page 4.) Find the term of interest in the alphabetically arranged index and click on the associated page number to jump to the page containing the term.

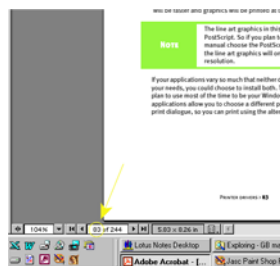
PRINTING PAGES

The whole manual, individual pages, or sections may be printed. The procedure is:

1. From the toolbar, select **File**, then **Print** (or press the **Ctrl + P keys**).
2. Choose which pages you wish to print:
 - (a) **All pages**, (1), for the entire manual.
 - (b) **Current page**, (2), for the page at which you are looking.
 - (c) **Pages from and to**, (3), for the range of pages you specify by entering their page numbers.



- (c) **Pages from and to**, (3), for the range of pages you specify by entering their page numbers.



3. Click on **OK**.

GETTING STARTED

WARNING!

If you have not already done so, familiarise yourself with the content of the Installation Safety booklet supplied with your printer.

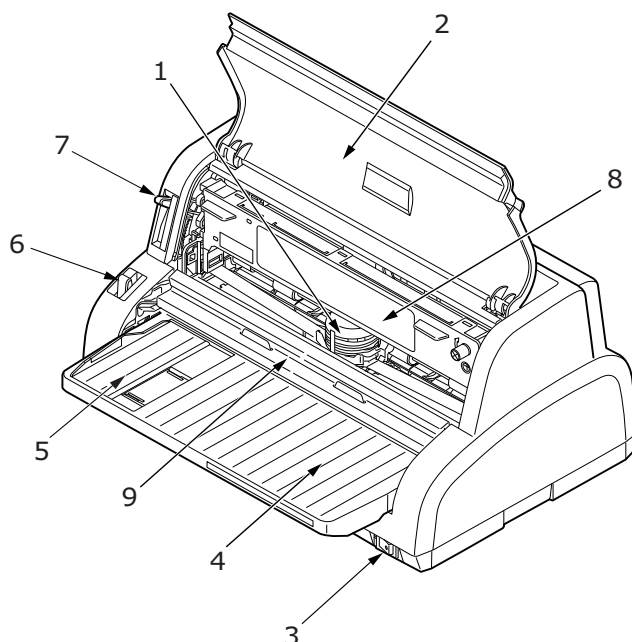
RETAINING PACKING MATERIALS

After setting up your printer according to the instructions in the Set-up Guide, retain your packing materials and container in case you ever need to ship or transport your printer.

IDENTIFYING COMPONENT PARTS

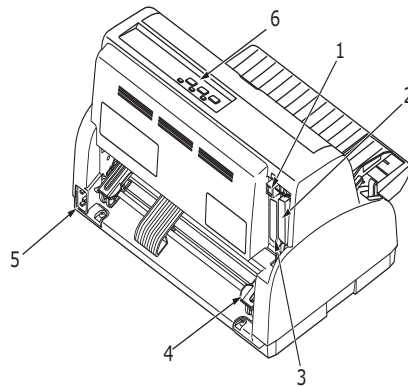
The main parts of your printer are identified and briefly explained below.

FRONT VIEW



- 1.** Print Head: prints the characters on the paper.
- 2.** Top Cover: open and close for access, for example when changing a ribbon cartridge. Keep closed for noise reduction.
- 3.** Power Switch: to turn the printer power ON/OFF.
- 4.** Paper Tray: to hold cut sheet paper for use by the printer (one sheet at a time).
- 5.** Paper Guide: can be adjusted as required to locate the left edge of cut sheet paper.
- 6.** Paper Type Lever: set according to the type of paper used – cut sheet or continuous forms.
- 7.** Paper Thickness Lever: set according to the thickness of the paper.
- 8.** Ribbon Cartridge: holds the printer ribbon.
- 9.** Paper Feed Guide: lift and slide to access print head.

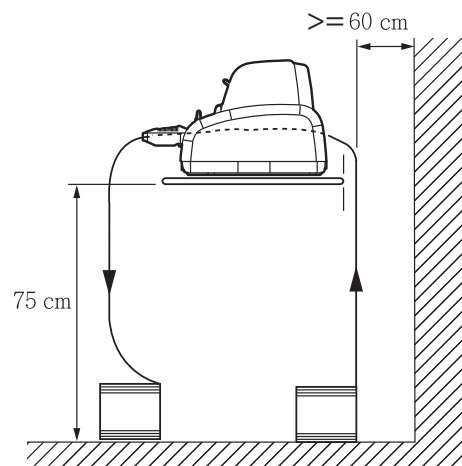
REAR VIEW



1. USB connector: connect to USB interface cable.
2. Parallel connector: connect to parallel interface connector.
3. Serial connector: connect to serial interface cable.
4. Pin Tractor: to load and feed continuous forms.
5. Power connector: connect to printer power cable.
6. Operator Panel: contains button switches and indicators (described in detail later) that allow you to operate the printer.

LOCATING YOUR PRINTER

- > Select a firm, solid surface on which to site your printer.
- > Allow enough space around your printer (e.g. at least 60 cm from any wall) for easy access to the paper feed paths.



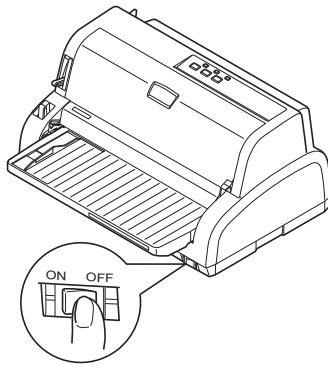
- > Make sure a grounded power outlet is available nearby.

POWERING ON YOUR PRINTER

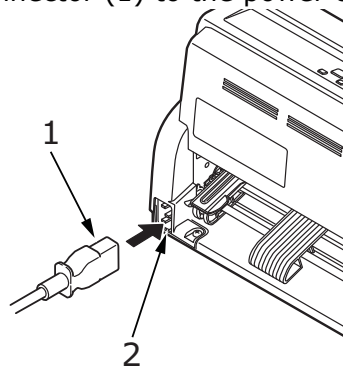
WARNING!

Operations of this equipment are not warranted when the equipment is connected to UPS (Uninterruptible Power Supply) and/or inverter. Doing so may result in damage of this equipment. Do not use an UPS and/or inverter.

1. Ensure that your printer Power Switch is set to OFF.



2. Connect the power cable connector (1) to the power connector (2) on the printer.



3. Connect the power cable to a 220/240 V AC power outlet and switch on the outlet power.
4. Turn the printer Power Switch to ON.



5. Check that the POWER and SEL indicator on the control panel illuminates.

PRODUCING A TEST PRINT

To check that your printer is operational, produce a test print on a sheet of 80 gsm A4 paper (for example) as follows:

CAUTION!

- > **Allow at least 5 seconds between turning the printer ON after turning it OFF. A shorter time interval between turning ON/OFF operations may cause printer power failure.**
- > **Do not turn the printer OFF while it is printing as this may result in damage to the print head.**

1. Turn the printer Power Switch to OFF.
2. Set the Paper Type Lever to cut sheet and set the Paper Thickness Lever to position 1.
3. Press and hold the LF/FF button and turn the Power Switch to ON. The alarm indicator should be illuminated to indicate that there is no paper in the printer.
4. With the long side of the paper against the paper guide, insert the paper carefully into the printer. The printer will automatically grip the paper and start the test print.

NOTE

If required, you can pause the test print by pressing the SEL button and then resume the test print by again pressing the SEL button.

5. When the test print has completed, the paper is automatically ejected.

NOTE

If you want to abort the test print for any reason, press the SEL button followed by the LOAD/PARK button to eject the paper and then turn the printer Power Switch to OFF.

CONNECTING TO A COMPUTER

In this section you will interconnect your printer and computer, install the printer driver in your computer and print a test page.

INTERCONNECTING PRINTER AND COMPUTER

INTERFACES

Your printer is equipped with three data interfaces:

CAUTION!

Do not use more than one of the following data interface methods to connect to your PC.

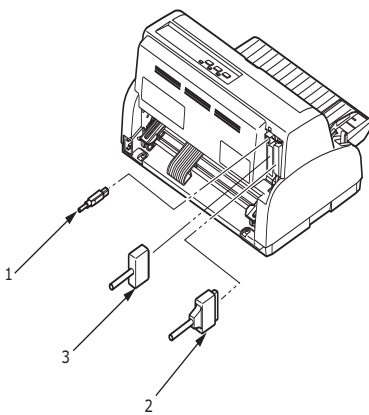
- > Parallel: for direct connection to a PC. This port requires a bi-directional (IEEE 1284 compliant) parallel cable.
- > USB: for connection to a PC running Windows 2000 or above. This port requires a shielded cable 3m long conforming to USB version 2.0.
- > Serial: for direct connection to a PC. This port requires a bi-directional RS232C serial interface cable.

NOTE

Interface cables are not supplied with your printer.

INTERCONNECTION

1. Ensure that both printer and computer are turned OFF.
2. Connect the required interface cable, USB (1) or parallel (2), or serial (3) to the printer and then to the computer (3).



3. Turn ON the printer and then turn ON the computer.

INSTALLING THE PRINTER DRIVER

Insert the Drivers CD into your computer and follow the on-screen instructions to install the printer driver for use with your printer.

PRINTING A TEST PAGE

As an example, using Windows XP:

- 1.** Use **Start > Printers and Faxes** to show the Printers and Faxes window.
- 2.** Highlight the driver for your printer.
- 3.** Use **File > Properties** to show the Properties window.
- 4.** On the **General** tab, click the **Print Test Page** button.
- 5.** Ensure that a test page has printed, verifying your printer – computer setup.

PRINTING FROM A COMPUTER

When printing to your printer from, for example, a Windows application on your computer, make your printing selections from the driver windows that appear on screen. These driver windows have been designed to be easy to use and intuitive while supplementary on-line help is available by clicking each window Help button.

PAPER HANDLING

This section describes how to use cut sheet paper and continuous forms in your printer.

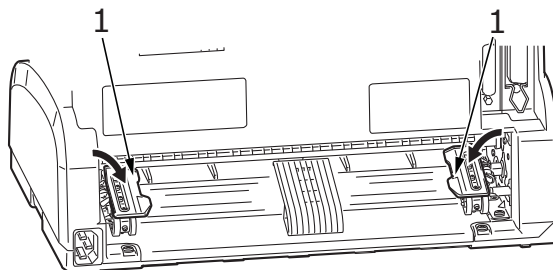
LOADING CUT SHEET PAPER

1. Ensure that the printer is turned ON.

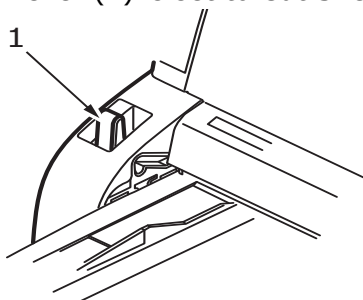
NOTE

If there are any continuous forms in the printer, eject them as described in "Removing continuous forms" on page 21.

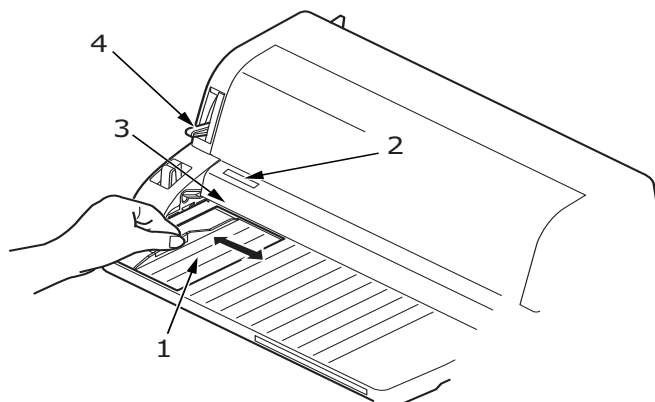
2. Ensure that the Pin Tractor covers (1) are closed to avoid the possibility of paper jams.



3. Ensure the Paper Type Lever (1) is set to Cut Sheet. 



4. Set the left margin of the paper by adjusting the Paper Guide (1) along the scale (2) relative to the start of printed line marker arrow (3).

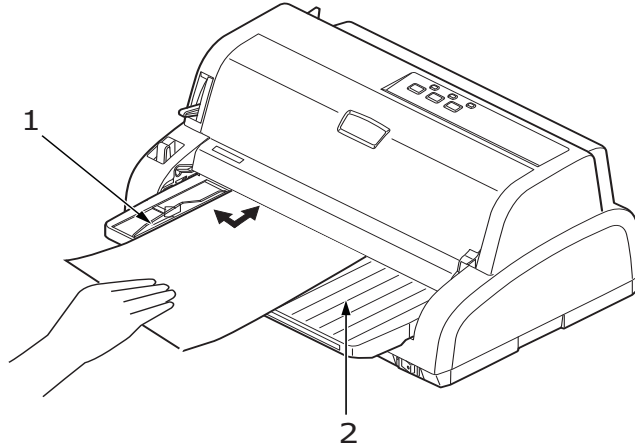


5. Adjust the Paper Thickness Lever (4) to suit the paper. See "Setting the Paper Thickness lever" on page 22.

NOTE

If the Paper Thickness Lever setting does not match the paper being used, paper feeding and printing may not work properly.

6. With the printing side upwards and the left edge aligned with the Paper Guide (1), carefully insert the paper on the Paper Tray (2) into the printer until it is gripped.



NOTE

- > *Ensure that the paper is accurately aligned along the Paper Guide to avoid the possibility of skew printing.*
 - > *When printing an envelope, do not fold up the flap. A flap aligned along the Paper Guide can lead to skew printing.*
-

EJECTING CUT SHEET PAPER

When the printer reaches the end of the cut sheet page it automatically ejects the page. If required, add another sheet for the printer to continue printing from where it left off.

To eject a cut sheet left in the printer, carry out the following:

1. Press the SEL button to put the printer off-line.
2. Press the LOAD/PARK button and the paper is ejected to the Paper Tray.

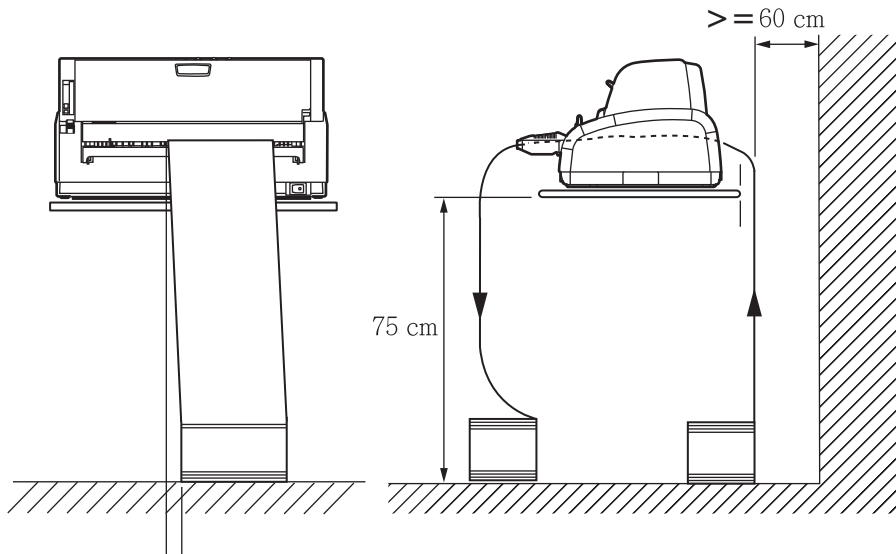
NOTE

Paper longer than A4 length (297 mm) may overlap and possibly fall off the Paper Tray.

LOADING CONTINUOUS FORMS

SETTING UP CONTINUOUS FORMS

To avoid paper feeding problems, carry out the following:




1. Check your printer is on a surface approximately 75 cm above the floor.
2. Position the continuous forms supply directly below the printer, no more than 3 cm left or right of the printer paper path.
3. Ensure the rear of the printer is close to and parallel with the edge of the surface and at least 60 cm from any wall.

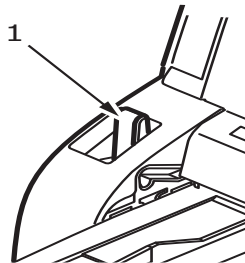
FEEDING CONTINUOUS FORMS

1. Ensure that the printer is turned ON.

NOTE

If there is a cut sheet in the printer, eject it as described in ["Ejecting cut sheet paper" on page 17](#).

2. Ensure the Paper Type Lever (1) is set to Continuous Forms. 

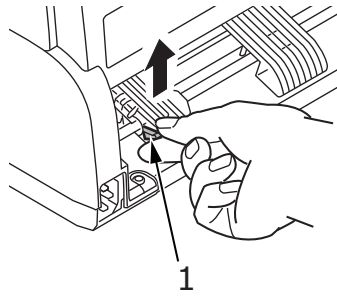


3. Adjust the Paper Thickness Lever to suit the paper. See ["Setting the Paper Thickness lever" on page 22](#).

NOTE

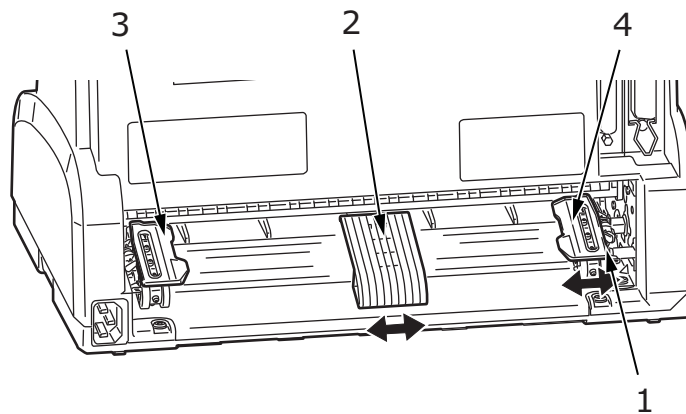
If the Paper Thickness Lever setting does not match the paper being used, paper feeding and printing may not work properly.

4. Lift the locking lever (1) of the left Pin Tractor and slide the Pin Tractor as required to adjust the paper position relative to the first horizontal character centre mark.

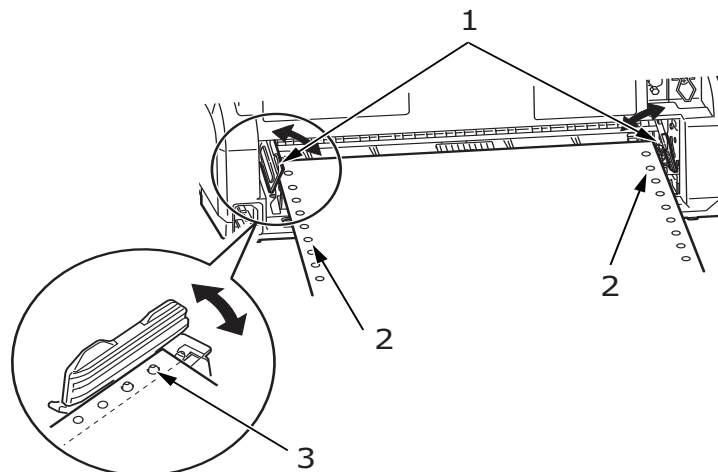


Press the locking lever back down to lock the Pin Tractor in the desired position.

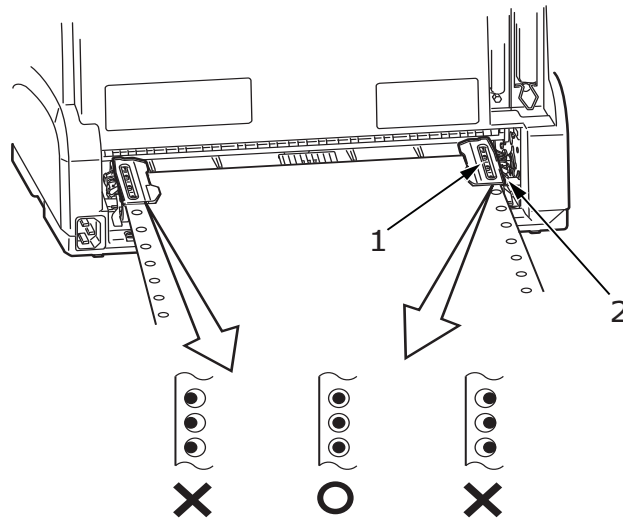
5. Lift the locking lever (1) of the right Pin Tractor and slide the Pin Tractor to the required position to accommodate the width of the continuous forms to be used. Move the rear paper guide (2) to midway between the left (3) and right (4) Pin Tractors.



6. Open the left and right Pin Tractor covers (1) and feed the continuous forms in the direction of the arrows, locating the sprocket holes (2) in the forms onto the sprocket pins (3), then close the covers.



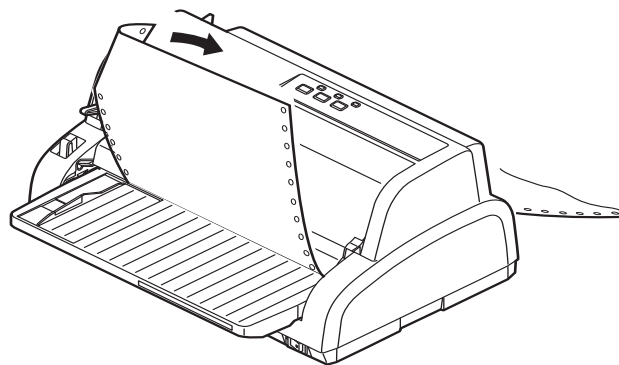
- Adjust the right Pin Tractor (1) to accommodate the width of the continuous forms, taking care that the forms are held neither too loosely nor too tightly between the Pin Tractors. Press the locking lever (2) down to lock the right Pin Tractor in the desired position.



- Press the LOAD/PARK button. The continuous forms will be taken into the printer and positioned at the first line print position and the SEL indicator will illuminate.

TEARING OFF CONTINUOUS FORMS

- With the SEL indicator illuminated, press the LOAD/PARK button to feed the continuous forms to the tear-off position.
- Carefully tear off the forms along the tear-off perforations in the direction shown. Using excessive force may result in tearing at a position other than the tear-off perforations.

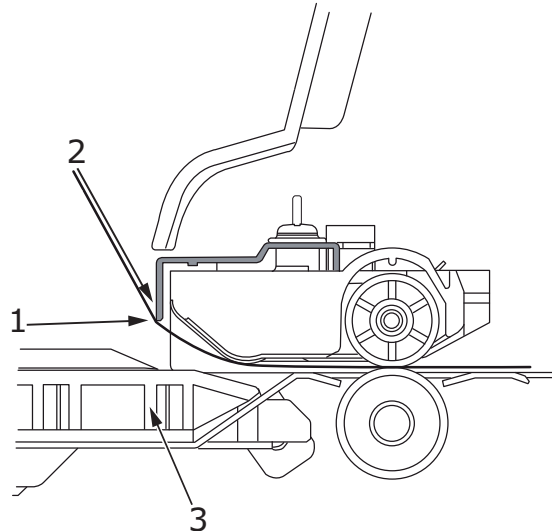


- With the SEL indicator illuminated, press the LOAD/PARK button to reposition the continuous forms in the printer back to the first line print position.

ALIGNING THE TEAR-OFF PERFORATIONS

If the tear-off perforations are not aligned with the paper cutter on the Top Cover, align them as follows:

1. With the SEL indicator illuminated, press and hold the LOAD/PARK button to move the tear-off perforations to the paper cutter on the Top Cover.
2. Check the position of the tear-off perforations (1) relative to the paper cutter (2). (Paper Tray (3) is shown for clarity.)



- (a) To advance the forms, hold down the LOAD/PARK button and press the SEL button.
- (b) To retract the forms, hold down the LOAD/PARK button and press the LF/FF button.

NOTE

- > Do not release the LOAD/PARK button while performing steps 1 and 2.
- > When making adjustment (2a) or (2b), the ALARM indicator will be on. If a movement greater than $\pm 7/90$ in is specified, the ALARM indicator blinks and the above adjustment cannot be made.

-
3. Release the buttons after the tear-off perforations have been aligned with the paper cutter.

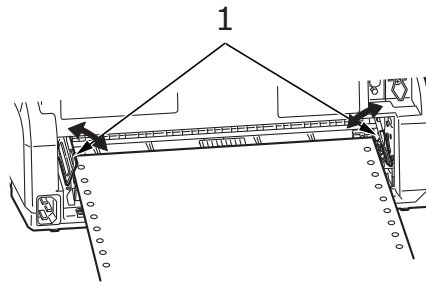
REMOVING CONTINUOUS FORMS

1. Tear off the continuous forms. See ["Tearing off continuous forms"](#) on page 20.
2. Press the SEL button to set the printer off-line and reposition the continuous forms in the printer.
3. Press the LOAD/PARK button to move the front edge of the continuous forms backwards to the Pin Tractors.

NOTE

- > The ALARM indicator illuminates to indicate there is no paper present.
 - > If sprocket holes of the last page of the forms disengage from the sprocket pins, do not attempt to eject the paper to avoid the possibility of a paper jam.
-

4. Lift the Pin Tractor covers (1) and remove the forms.



5. Close the Pin Tractor covers

SETTING THE PAPER THICKNESS LEVER

There are 9 lever positions, the first 9 for printing purposes and the ninth to also facilitate ribbon replacement.

Set the Paper Thickness lever for different paper types as follows:

PAPER TYPE	LEVER POSITION				
	1	2	3	4	5 - 9
Cut sheet paper					See below
52 - 81 gsm	X				
81 - 128 gsm		X			
128 - 156 gsm		X			
Postcard			X		
Envelope				X	
Continuous paper					See Below
52 - 81 gsm	X				
81 - 128 gsm		X			
Carbon paper or Pressure-sensitive paper (40 gsm)					See below
2 part		X			
3 part		X			
4 part			X		
5 part			X	X	

Set the Paper Thickness lever for overall paper thickness as follows:

OVERALL PAPER THICKNESS	LEVER POSITION
0.06 – 0.12 mm	1
0.13 – 0.21 mm	2
0.22 – 0.30 mm	3
0.31 – 0.39 mm	4
0.40 – 0.48 mm	5
0.49 – 0.57 mm	6
0.58 – 0.66 mm	7
0.67 – 0.75 mm	8
0.76 – 0.84 mm	9

NOTE

- > *Printing with lever positions 5 – 9 is not guaranteed.*
 - > *If the lever position does not suit the paper thickness, paper feeding and printing may not work properly.*
 - > *Do not print bankbooks to avoid possible pin breakage/ribbon snagging.*
 - > *Printing can be carried out with the lever position set to 4 for paper thickness up to 0.325mm.*
 - > *When lever positions 5 - 9 are selected, printing quality for carbon paper may decline resulting in illegible characters for example.*
-

OPERATING INSTRUCTIONS

OPERATOR PANEL



The status/alarm indicators and button switches on the operator panel allow you to check printer status and control the printer.

INDICATORS

INDICATOR	STATUS	MEANING
SEL	ON	Printer is on-line i.e. is available to print.
	OFF	Printer is off-line i.e. is not available to print.
	Flashing	When flashing together with the ALARM indicator, printing cannot be resumed at this stage. Turn the power OFF, verify that the carriage moves properly, then turn the power ON again. If the problem is still there after you turn the power ON again, contact your dealer.
		High temperature alarm status.
ALARM	ON	Paper end status i.e. no paper present.
	OFF	Paper present status.
	Flashing	Paper jam alarm status.
		Media switch alarm status.
When flashing together with the SEL indicator, printing cannot be resumed at this stage. Turn the power OFF, verify that the carriage moves properly, then turn the power ON again. If the problem is still there after you turn the power ON again, contact your dealer.		
POWER	ON	Printer power is ON.
	OFF	Printer power is OFF.
	Flashing	Low power consumption mode.

BUTTON SWITCHES

SWITCH	STATUS	FUNCTION
SEL	On-line	Sets the printer to off-line.
	Off-line	Sets the printer to on-line and disalarms the printer.
LF/FF	Cut sheet manual mode On-line	Ineffective.
	Off-line	Feeds paper by one line. Holding the button down ejects the cut sheet.
	Continuous Forms mode Online	Ineffective.
	Offline	Holding the button down results in continuous form being fed until first line of next page.
LOAD/PARK	Continuous Forms mode On-line	Delivers the continuous form to the cut position. If the button is pressed again or data is received, the original form position is restored.
	Off-line	If the continuous form is in position, press to retract the form to the Pin Tractors. (If the sprocket holes of the last page of the form disengage from the sprocket pins, do not attempt to eject the paper as a paper jam may result.)
LOAD/PARK + POWER ON Switch		Enters menu mode.
LOAD/PARK + LF/FF	On-line	Ineffective.
	Off-line	Microfeed (0.14 mm step) down Hold this button combination down for continuous feeding or ejecting of paper.
LOAD/PARK + SEL	On-line	Ineffective.
	Off-line	Microfeed (0.14 mm step) up Hold this button combination down for continuous feeding or ejecting of paper.
SEL + LF/FF	On-line	Ineffective.
	Off-line	Saves the set paper start position (first line print position).
SEL + LOAD/PARK	On-line	Ineffective.
	Off-line	Ineffective.

SETTING MENU VALUES

The following information explains the printer settings and how you can change them. Printer items and their values are printed for reference.

CONFIRMING CURRENT SETTINGS

To print the current menu settings, use a cut sheet of A4 paper or continuous forms of width at least 254 mm. In this example, a sheet of A4 paper is used.

1. Set the Paper Type lever to cut sheet mode.
2. To activate menu mode:
 - (a) Ensure that the printer is powered OFF.
 - (b) While holding down the LOAD/PARK button set the printer Power Switch to ON.
3. Place the cut sheet on the Paper Tray.
4. Press the LF/FF button and the printer prints out all the menu items currently selected and their corresponding settings.
5. Exit or proceed to change menu settings:
 - (a) To exit menu settings confirmation, save the current settings and eject the paper, press and hold the LOAD/PARK button, then press the LF/FF and the SEL buttons together.
 - (b) To change menu settings, see ["Menu setting" on page 26](#).

MENU SETTING

NOTE

Before changing menu settings, you may wish to print the current menu settings as in ["Confirming current settings" on page 26](#).

Set menu item values (printed out for reference as you proceed) as follows:

1. Press LOAD/PARK button and turn the Power ON, to enter the menu mode.
2. Place the cut sheet on the Paper Tray.
3. Press SEL to step forward, and hold LOAD/PARK and press SEL to step backward through the menu items to the required item.
4. To change the setting for a selected item, press LF/FF to step forward, and press LOAD/PARK + LF/FF to step backward through the setting values to the required setting.
5. Repeat steps 3 and 4 as required to change settings for other items.
6. To exit menu setting, press and hold the LOAD/PARK button, then press SEL and LF/FF together to save the new settings and exit menu setting mode.

NOTE

Switching the printer OFF does not save the new settings.

MENU ITEMS AND SETTINGS

In the menu settings tables below, factory default settings are shown emboldened.

ITEM	FUNCTION	SETTING
Emulation Mode	Select EPSON LQ mode, IBM PPR mode, or IBM X24 AGM mode.	IBM PPR IBM AGM EPSON LQ
Print Mode	Select quality of ANK characters.	LQ Courier LQ Roman LQ Swiss LQ Swiss Bold LQ Orator LQ Gothic LQ Prestige LQ OCR-A LQ OCR-B Utility HSD
Pitch	Select character pitch.	10 CPI , 12 CPI, 15 CPI, 17.1 CPI, 20 CPI
Proportional Spacing	Select whether to use proportional spacing or not.	Yes No
Style	Select either font style.	Normal , Italics
Size	Select the character scale size.	Single , Double
Character Set	Select either ANK character code table.	Set I Set II
Language Set	Select a language character set.	ASCII , French, German, English, Danish I, Swedish I, Italian, Spanish I, Japanese, Norwegian, Danish II, Spanish II, Latin American, French Canadian, Dutch, Swedish II, Swedish III, Swedish IV, Turkish, Swiss I, Swiss II, Publisher
Zero Character	Select either print font pattern to receive a zero character located at 30H in ANK code.	Unslashed Slashed

ITEM	FUNCTION	SETTING
Code Page	Select a code page.	USA Canada French Multilingual Portugal Norway Turkey Greek_437 Greek_869 Greek_928 Grk_437 CYPRUS Polska Mazovia Serbo Croatic I Serbo Croatic II ECMA-94 Hungarian CWI Windows Greek Windows East Europe Windows Cyrillic East Europe Latin II-852 Cyrillic I-855 Cyrillic II-866 Kamenicky(MJK) ISO Latin 2 Hebrew NC (862) Hebrew OC Turkey_857 Latin 5 (Windows Turkey) Windows Hebrew Ukrainian Bulgarian ISO Latin 6 (8859/10) Windows Baltic Baltic_774 KBL-Lithuanian Cyrillic Latvian Roman-8 Icelandic-861 Multilingual 858 ISO 8859-15 Greek_737 Asmo449+ Asom708 Arabic864 Windows Arabic POL1 Macedonian
Slashed Letter 0	Set whether to convert slashed 0 located at 9BH and 9DH in USA code page or not.	Yes No
Multi Pass	Select the printing direction when double-height print data exists in a line.	Bi-directional Uni-directional
Rcv Buffer	Select size of the received buffer.	0, 32 K, 64 K
Print Suppress Effective	Set whether to enable or disable a print suppress setup command.	Yes No
Auto LF	Select whether to perform auto LF operation or not upon receiving a CR code.	Yes No

ITEM	FUNCTION	SETTING
Auto CR *IBM PPR only	Select whether to perform auto CR operation upon receiving a carriage return command.	Yes No
SI Select Pitch (10CPI) *IBM PPR/AGM only	Set how to handle an SI command received in 10 CPI mode.	15 CPI 17.1 CPI
SI Select Pitch (12CPI) *IBM PPR/AGM only	Set how to handle an SI command received in 12 CPI mode.	12 CPI 20 CPI
Reset Inhibit	Set whether to enable or disable an initial command.	No Yes
Select Language Set *EPSON only	Set whether to enable or disable a combination of the code page setting and the language setting by menu.	Combined Code Page Only
Impact Mode	Select print mode on power on. (This item is referred to on initialisation only by I-PRIME or power on but not by an initialisation command.)	Normal Quiet Hi Copy
Print Direction Command	Select the validity of a one-way print setup command.	Valid Invalid
Print Speed Command	Select the validity of a print speed setup command.	Valid Invalid
Page Length Command	Select the validity of a page length command.	Valid Invalid
LF Pitch Command	Select the validity of a linefeed pitch command.	Valid Invalid
Font Command	Select the validity of a font command.	Valid Invalid
Pitch Command	Select the validity of a character pitch command.	Valid Invalid
Power Save Time	Set idle time to enter power save mode.	5 min , 10 min, 15 min, 30 min, 60 min
PE Detection	Select whether to detect paper end or not.	OFF ON
Table Print	Set whether to divide a path or not to print on occasions when printing by the same headpin continues for 3 in or more in the same print block.	Standard Special
Carriage Position when cut sheet Gap 1	Selects the carriage position for cut sheet paper fed (paper thickness level 1).	Left Middle Right
Carriage Position when cut sheet Gap > 1	Selects the carriage position for cut sheet paper fed (paper thickness level 2 or more).	Left Middle Right

ITEM	FUNCTION	SETTING
Paper width mode	Selects continuous form paper width used. Select Mode1 when using paper ≥ 8 inches wide, Mode2 when using paper > 5 but < 8 inches wide, and Mode3 when using paper less than < 5 inches wide.	Mode1 Mode2 Mode3
Continuous paper top LF adjust Gap1	Selects top LF correction amount for continuous form paper, when paper thickness level is 1 (Gap 1). The positive range adds correction amounts to the LF, and the negative range reduces the correction amounts to the LF. The amount of LF is in 1/360 inch increments.	-3 - -1 0 +3 - +1
Continuous paper top LF adjust Gap2	Selects top LF correction amount for continuous form paper, when paper thickness level is 2 (Gap 2). The positive range adds correction amounts to the LF, and the negative range reduces the correction amounts to the LF. The amount of LF is in 1/360 inch increments.	-3 - -1 0 +3 - +1
Continuous paper top LF adjust Gap3	Selects top LF correction amount for continuous form paper, when paper thickness level is 3 (Gap 3). The positive range adds correction amounts to the LF, and the negative range reduces the correction amounts to the LF. The amount of LF is in 1/360 inch increments.	-3 - -1 0 +3 - +1
Continuous paper top LF adjust Gap4	Selects top LF correction amount for continuous form paper, when paper thickness level is 4 (Gap 4). The positive range adds correction amounts to the LF, and the negative range reduces the correction amounts to the LF. The amount of LF is in 1/360 inch increments.	-3 - -1 0 +3 - +1
Line Spacing	Select line feed pitch.	6 LPI 8 LPI
Form Tear-Off	Select manual or auto as the method to advance a continuous form to the form tear-off position.	Off 500 ms 1 sec 2 sec
Skip Over Perforation	Select whether to skip over perforation or not. (When a skip over perforation setup command is received, the received command is given priority.)	Yes No

ITEM	FUNCTION	SETTING
Page Length (Continuous)	Select the length of a continuous form.	3.5 in, 4 in, 5.5 in, 6 in, 7 in, 8 in, 8.5 in, 11 in, 11 2/3 in, 12 in , 14 in, 17 in, 5 in, 3 in, 3.25 in
TOF (Continuous)	Select the reference position for the TOF position when auto loading continuous form paper from the rear of the printer. (Up to the mid-section of characters in the first line.)	2.12 mm (1/12 in) 4.23 mm (1/6 in) 6.35 mm (1/4 in) 8.47 mm (1/3 in) 10.58 mm (5/12 in) 12.7 mm (1/2 in) 14.82 mm (7/12 in) 16.93 mm (2/3 in) 19.05 mm (3/4 in) 21.17 mm (5/6 in) 23.28 mm (11/12 in) 25.4 mm (1 in) 27.52 mm (13/12 in) 1Chr. Set Pos.
Initial Position	This is the position of the paper when the paper is already loaded at power on. (For continuous form mode only.)	Print Tear OFF
Auto Eject Position	Select a printable area at the bottom of cut sheets of paper in cut-paper mode (the character centre position).	6.35 mm (1/4 in) 14.8 mm
Page Length (Cut Sheet)	Select the page length of cut-paper.	3.5 in, 4 in, 5.5 in, 6 in, 7 in, 8 in, 8.5 in, 11 in, 11 2/3 in , 12 in, 14 in, 16.57 in, 5 in, 3 in, 3.25 in
TOF (Cut Sheet)	Select the reference position for the TOF position when feeding cut-paper in manual mode. (Up to the mid-section of characters in the first line.)	2.12 mm (1/12 in) 4.23 mm (1/6 in) 6.35 mm (1/4 in) 8.47 mm (1/3 in) 10.58 mm (5/12 in) 12.7 mm (1/2 in) 14.82 mm (7/12 in) 16.93 mm (2/3 in) 19.05 mm (3/4 in) 21.17 mm (5/6 in) 23.28 mm (11/12 in) 25.4 mm (1 in) 27.52 mm (13/12 in) 1Chr. Set Pos.
Wait Time	Select the waiting time between setting paper on the tray and feeding it while the printer is waiting for paper to be fed in cut-paper manual feed mode.	500 ms 1 sec 2 sec
FF Function *EPSON only	Set feeding operation upon receiving an FF code after cut-paper is fed.	Eject Form Feed
I-Prime	Select whether to print or clear buffer contents upon initialisation by receiving I-PRIME.	Invalid Buffer Clear Buffer Print
Auto Feed XT *EPSON only	Set the validity of an Auto Feed XT signal.	Valid Invalid

ITEM	FUNCTION	SETTING
I/F Bi-Direction	Set whether to return a device ID or not in accordance with IEEE1284.	Enable Disable
Parity	None: Absence of parity bit Odd: Odd parity Even: Even parity Ignore: Do not convert the character to ox40 in case of parity error.	None Odd Even Ignore
Serial Bits	Select the data bit length.	7 Bits 8 Bits
Protocol	Select an I/F Busy control method. Ready/Busy: Busy control by a DTR signal X-ON/X-OFF: Busy control by a DC3/DC1 code DTR X-ON/X-OFF: Busy control DTR Signal and DC3/DC1 control.	Ready/Busy X-On/X-OFF DTR X-ON/X-OFF
Diagnostic Test	Select to perform input/output diagnosis of RS-232C interface signals.	No YES
Baud Rate	Select to set the Baud rate.	300bps 600bps 1200bps 2400bps 4800bps 9600bps 19,200 bps
DTR Signal	Set a method to switch a DTR signal of a serial interface.	Ready on Power UP Ready on Select
Busy Time	Set the minimum time between BUSY to READY.	0.2 sec 1 sec
TOF Adjustment (Cut Sheet)	Select an adjustment value for the reference position in regard to the TOF position of cut-paper/passbooks. The position moves to the rear of the form by [+] and to the top of the form by [-] in 1/60 in increments.	-7 - -1 0 +7 - +1
Rear Load Adjustment	Select an adjustment value for the reference position in regard to the TOF position of a continuous form. The position moves to the rear of the form by [+] and to the top of the form by [-] in 1/60 in increments.	-7 - -1 0 +7 - +1
Cut Position Adjust	Select an adjustment value for the position to cut the end of a continuous form. (In 1/90 in increments)	-7 - -1 0 +7 - +1

ITEM	FUNCTION	SETTING
Registration Low	Adjust the print starting position on printing in the reverse direction. (The position moves to the right or left in 1/720 in increments.)	-10 – -1 0 +10 – +1
Registration Normal	Adjust the print starting position on printing in the reverse direction. (The position moves to the right or left in 1/720 in increments.)	-10 – -1 0 +10 – +1
Registration High1	Adjust the print starting position on printing in the reverse direction. (The position moves to the right or left in 1/720 in increments.)	-10 – -1 0 +10 – +1
Registration High2	Adjust the print starting position on printing in the reverse direction. (The position moves to the right or left in 1/720 in increments.)	-10 – -1 0 +10 – +1
LF Revise (Cut Sheet)	Adjust a line feed amount in cut-paper mode.	-14 – -1 0 +14 – +1

INITIALISING MENU SETTINGS

To restore the menu settings to their initial values, carry out the steps below.

NOTE

The values adjusted by the Adjustment menus are not initialised by the following procedure.

1. Set the Power Switch to OFF.
2. Press and hold down the SEL and LOAD/PARK buttons together then set the Power Switch to ON.

ADJUSTING TOF POSITION

Use the following procedure to set TOF to accord with the reference position (6.35 mm (0.25 in)). The reference position refers to the first line of the paper i.e. the position to which the printer feeds the paper when automatically loading the paper.

NOTE

Adjusting of TOF can be done in cut sheet mode or continuous forms mode.

1. Print out the menu settings of the printer as in ["Confirming current settings" on page 26](#) and confirm that the TOF (in cut sheet mode or continuous forms mode) is 6.35 mm (0.25 in).
2. Set the Paper Type lever to the required paper type.
3. When continuous forms are used, place the paper on the Pin Tractor.
For cut sheet mode, do not insert the paper at this stage.
4. In continuous forms mode, press the LOAD/PARK button.
In cut sheet manual feeding mode, press the LOAD/PARK button and place the paper on the Paper Tray.

After the paper has started to be taken into the printer, continue to press the LOAD/PARK button and the paper is taken into the 6.35 mm (0.25 in) position.

5. Align the paper with the first print line position as follows:

In off-line mode, press the following buttons to adjust the first printing line:

To feed the paper forward by a small amount, hold down the LOAD/PARK button and then press the SEL button.

To feed the paper backward by a small amount, hold down the LOAD/PARK button and press the LF/FF button.

NOTE

If the specified correction range is more than $\pm 7/60$ in, the ALARM indicator flashes and the paper cannot be moved.

6. When the paper is positioned at the required TOF, release the buttons in Step 5 above.
To save this position as the TOF, press and hold the SEL button and then press the LF/FF button.

PRINTER SETTINGS

PRINTER IMPACT MODE

When switched ON, the printer enters the impact mode selected in the menu. You can change this to normal speed, quiet printing or Emphasis printing.

Emphasis printing

CAUTION!

Do not use emphasis printing if performing horizontal tab character printing on this paper as the paper may become damaged.

Use this for printing multipart forms.

You have to set emphasis printing by using the menus to set Impact Mode to Hi Copy as described in ["Menu setting" on page 26](#).

NOTE

- > *If the paper on top is so thick that duplication on the paper below it fails, use emphasis printing.*
 - > *In emphasis printing mode, printing is carried out twice.*
 - > *The print may become blurred if high density characters and graphics are printed using a new ribbon.*
 - > *In emphasis mode, ensure that the paper is flat to avoid possible printing errors.*
-

TROUBLESHOOTING

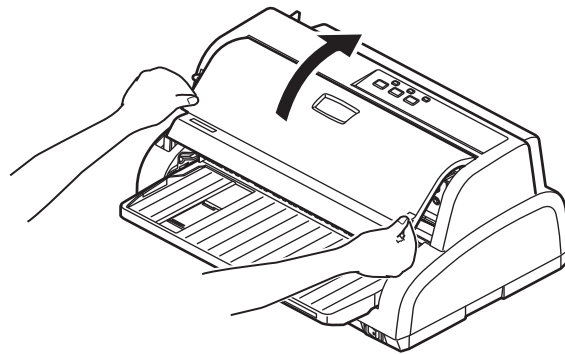
CLEARING PAPER JAMS

CUT SHEET PAPER JAMMED IN PRINTER

WARNING!

Do not carry out any operations inside the printer with the Power Switch set to ON.

1. Set the Power Switch to OFF.
2. Open the Top Cover.

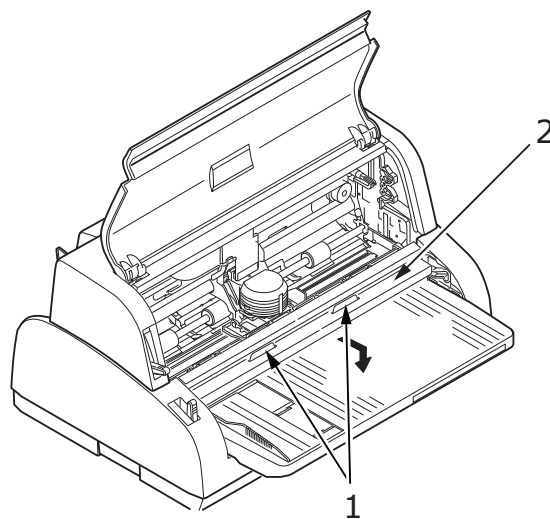


3. Set the Paper Thickness lever to the Replace Ribbon position (position 9).

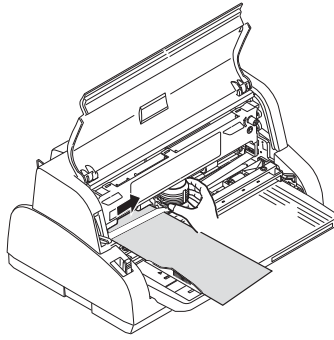
WARNING!

The Print Head may be hot after printing. Allow it to cool before touching it.

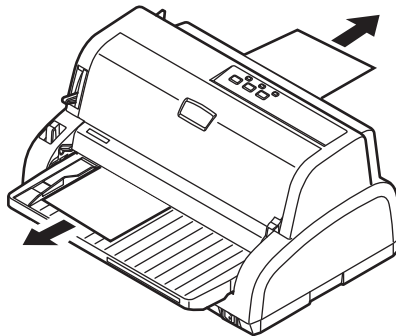
4. Hold (1) and lift the paper feed guide (2) and slide it along the rails in the direction indicated by the arrows until it locks into position.



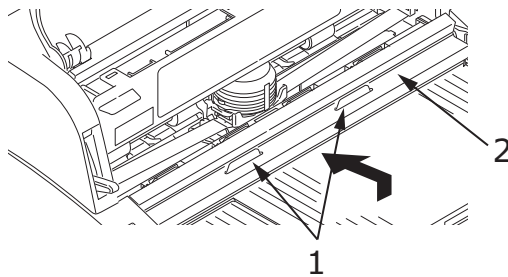
5. Move the Print Head away from the paper.



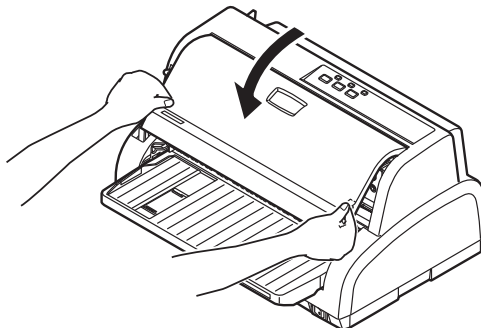
6. Pull the cut sheet out from the front or rear of the printer.



7. If a paper fragment remains inside the printer, use forceps to grip and extract it.
8. Hold (1) and lift the paper feed guide (2) and slide it along the rails in the direction indicated by the arrows until it locks back into position.



9. When the paper jams are cleared, close the printer Top Cover.



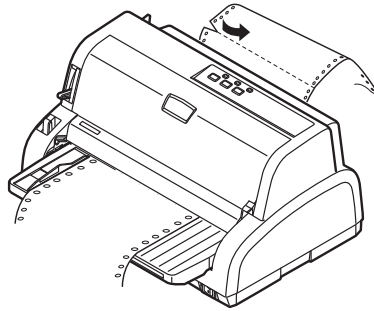
10. Set the Power Switch to ON.

CONTINUOUS FORMS JAMMED IN PRINTER

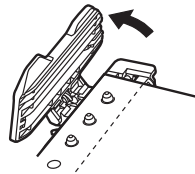
WARNING!

Do not carry out any operations inside the printer with the Power Switch set to ON.

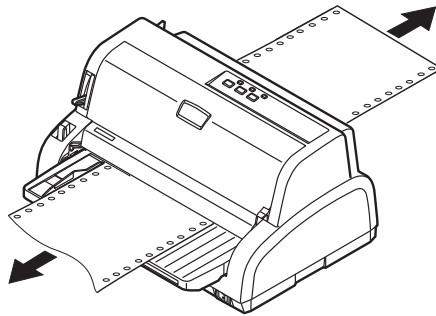
1. Set the Power Switch to OFF.
2. Tear off any unprinted continuous forms.



3. Raise each Pin Tractor cover (1) and remove the continuous forms from the Pin Tractors.



4. Pull the continuous sheet from front or rear of the printer.



5. Set the Power Switch to ON.

RESPONDING TO ALARM CONDITIONS

Use the following table for guidance on how to respond to indicated alarm conditions.

INDICATOR		ALARM MEANINGS AND ACTIONS
SEL	ALARM	
OFF	ON	Paper has run out. Add paper and press the SEL button.
OFF	Flashing	The Paper Type lever is wrongly set for the type of paper in use. Press the SEL button and set the Paper Type lever to the correct position.
OFF	Flashing	Problem with cut sheet feeding. Remove the cut sheet.
Flashing	ON	Print data is received but printing does not start because no paper is being fed. Insert paper.
Flashing	Flashing	Printing cannot be resumed at this stage. Turn the power OFF, verify that the carriage moves properly, then turn the power ON again. If the problem is still there after you turn the power ON again, contact your dealer.

RESPONDING TO GENERAL PROBLEMS

Use the following table to help you to identify symptoms with possible causes and take suggested remedial actions.

PROBLEM	CAUSE	ACTION
No power		
No power	The power cable is not properly connected.	Check the power cable is properly connected at both power outlet and printer.
	Power outlet problem or power outage.	Plug another appliance into this outlet to check if it works.
No printing takes place		
SEL indicator is unlit.	The printer driver is not installed properly.	Re-install the printer driver correctly.
	The printer has just stopped printing.	Press the SEL button.
	There is no paper in the printer.	Load paper.
SEL indicator is illuminated but no printing takes place.	Interface cable is disconnected.	Reconnect the interface cable.
	Wrong interface cable has been used.	Use correct interface cable.
The print head is moving but no printing takes place.	The ribbon cartridge has not been installed.	Install the ribbon cartridge.

PROBLEM	CAUSE	ACTION
Print position offset		
The horizontal printing position is offset.	The start position may change after the printer is powered on.	When the printer is powered ON, switch from off-line mode to on-line mode by pressing the SEL button. Reset the start position. You must set the Power Switch to OFF before you change the start position.
Printing slows down		
Print direction changes suddenly to unidirectional.	When the print head overheats, the printer automatically starts unidirectional split printing.	When the print head temperature drops sufficiently, the printer will return to its original operation.
PE warning		
The print carriage does not operate.	There is contamination on the carriage shaft.	Clean any paper dust and contamination from the carriage with a dry cloth.
Print blurring		
The characters are too pale to display properly on the paper.	The Paper Thickness lever position does not match the paper.	Correct the Paper Thickness lever setting.
	The printer is set to print at high speed.	Set the speed to normal.
	The ribbon has reached its end of life.	Replace the ribbon by a new one.
	The ribbon cartridge is not installed correctly.	Reinstall the ribbon cartridge correctly.
	The ribbon has been wound incorrectly.	Replace the ribbon cartridge by a new one.
	The ribbon is not transferring properly.	Replace the ribbon cartridge by a new one.
A line of print is missing.	Broken wire pins.	Contact your dealer.
The printout differs from the screen display.		
Printout of completely different characters or symbols.	Incorrect print setup for the user application.	Reselect print setup for the applications according to priority.
	The application control codes for the previous print operation are still enabled.	Initialise the printer.
	The input application control signal is not correct.	Print in hex dump mode and verify the data content. Make corrections in the application.
	The interface cable is not properly connected.	Reconnect the cable correctly.

PROBLEM	CAUSE	ACTION
Too high or too low TOF (where printing starts).	The TOF is not correctly selected.	Initialise the printer.
		Select correct TOF for cut sheet and continuous forms.
		Select the first-line print position and adjust the paper top position.
		Reselect the margin correctly in the application.
Too large or small left and/or right margins.	The left or right margin is not correctly selected.	Incorrect positions of the Paper Guide or Pin Tractors. Select and adjust the position again depending on the paper type.
		Reselect the left and right margins correctly in the application.
When continuous forms are used, the content of a single form is printed on two forms.	The paper length selected in the application does not match the physical paper length.	Match the paper length selected in the application with the physical paper length in use.
When cut sheets are used, the content of a single sheet is printed on two sheets.	The paper setting selected in the application does not match the physical paper size.	Match the paper setting selected in the application with the physical paper in use.
	It does not match the lines per page as the printer automatically detected.	Leave enough top and bottom margin in the application.
		Correct the cut sheet LF adjustment.
The content of a single line is printed in two lines.	The left and/or right margins are not correctly selected.	Reselect the left and right margins correctly in the application.
When continuous forms are used, several blank lines appear in the printout.	Tear-off perforation spacing is selected.	Cancel tear-off perforation spacing.
Broken and uneven vertical lines.	This may happen in bidirectional printing.	Use Print Registration in the adjustment mode to adjust.
Too large or small line spacing.	Line spacing is not selected correctly.	Reselect line spacing correctly in the application.
Split print		
Blanks appear in graphic printout.	This is a paper feed error, which is especially notable in printing regular characters.	This is not a failure.
Blanks or deformed characters appear in double height type or other extended types.	This is a paper feed error due to line feeding in printing a single character.	This is not a failure. Use the printer's built-in fonts when you print important documents or bills.

PROBLEM	CAUSE	ACTION
Improper cut sheet feed		
No paper feed.	Sheets are located off the paper guide.	Load sheets with their left edges against the paper guide.
	Sheets are not loaded to the end.	Load sheets to the end.
Continuous forms instead of cut sheets are fed.	The printer is in the continuous forms mode.	Eject the continuous forms and select cut sheet mode for the printer.
Paper distortion.	Sheets are not loaded to the end, or they are not inserted straight.	Load sheets to the end.
	Paper with wrinkles, folds or other defects.	Change paper.
	Paper not specified for the printer.	Use paper types specified for the printer.
Unable to eject.	The LF/FF button is pressed.	Press the LOAD/PARK button.
Improper continuous forms feed.		
No line feed, and no paper feed.	Paper is off the Pin Tractors.	Reload paper correctly.
	The adjust lever position does not match the paper type.	Set the adjust lever to the correct position.
Paper distortion or jam.	Forms are loaded with their left holes out of line with the right ones.	Load forms with their left holes in line with the right ones.
	Inadequate distance between the left and right Pin Tractors, making for loose paper.	Relocate the Pin Tractors to tighten the paper.
	Skew paper feeding.	Move the paper to make it straight.
	Paper movement is blocked.	Remove the blockage.
	Paper source is too far from the printer.	Move the paper source nearer to the printer.
	Paper not specified for the printer.	Use paper types specified for this printer.
Several blank lines appear in the printout.	Skip over perforation spacing is selected.	Cancel the skip over perforation spacing.
The selected skip over perforation spacing does not match the physical tear-off perforation positions.	The paper length selected in the application does not match the physical paper length.	Match the paper length selected in the application with the physical paper length in use. Select the paper length in number of lines in the application.

PROBLEM	CAUSE	ACTION
Abnormal switchover between cut sheet and continuous forms modes.		
No cut sheet feed.	The printer is in continuous forms mode.	Set the Paper Type lever to cut sheet mode.
No continuous forms feed.	The printer is in cut sheet mode.	Set the Paper Type lever to continuous forms mode.
Paper feed operations for both cut sheets and continuous forms are actuated.	The cut sheet is not ejected.	Eject the cut sheet.

CLEANING YOUR PRINTER

To keep your printer in good operating condition, you are advised to clean it regularly.

WARNING!

Set the printer Power Switch to OFF and disconnect the power cable from the printer before cleaning the printer.

PRINTER EXTERIOR

CAUTION!

Keep the Top Cover closed to avoid the possibility of detergent entering the printer

Clean the exterior of the printer as required, but at least every six months or 300 hours of operation, whichever comes first.

Moisten a piece of cotton cloth with diluted neutral detergent and carefully wipe the printer exterior.

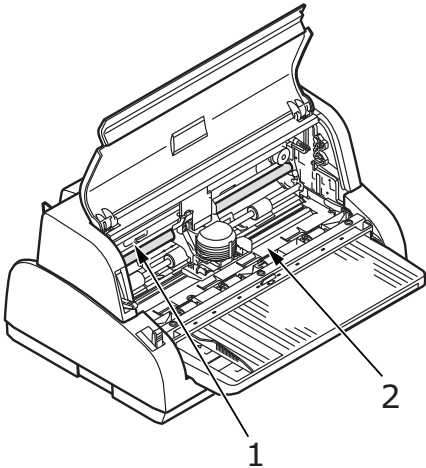
PRINTER INTERIOR

WARNING!

**As the print head becomes hot during printing, allow it to cool before carrying out any cleaning inside the printer.
Do not use any flammable solvents for cleaning the printer to avoid any risk of fire or electric shock.**

Clean the interior of the printer every 6 months or 300 hours of operation, whichever comes first.

Using a soft cloth, cotton swabs and a vacuum cleaner, clean the interior of the printer as follows:



WHERE TO CLEAN	WHAT TO CLEAN
The carriage (1) and the area around it	Clean and remove paper waste, dirt, dust and ribbon shreds.
The paper travel surface (2)	

CAUTION!

When you clean the interior of the printer with a vacuum cleaner, do not attempt to clean any parts smaller than the suction nozzle. Do not clean any interior working parts with the suction nozzle to avoid possible damage to the printer.

CONSUMABLES AND ACCESSORIES

CONSUMABLES

When the printed image becomes faint or incomplete, replace the ribbon cartridge.

CHANGING A RIBBON CARTRIDGE

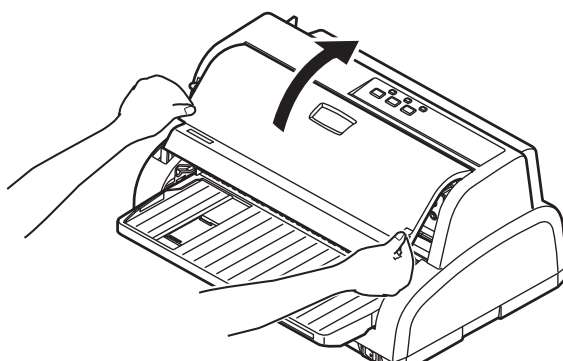
CAUTION!

Only use genuine Original consumables to ensure the best quality and performance from your hardware. Non Original products may damage your printer's performance and invalidate your warranty.

WARNING!

Do not change the ribbon cartridge with the Power Switch set to ON.

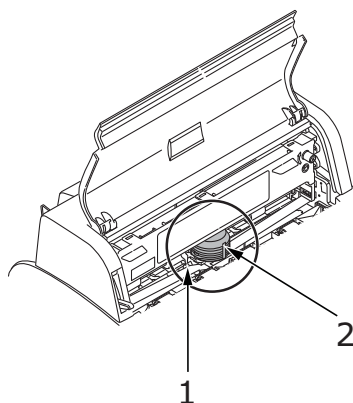
1. Set the Power Switch to OFF.
2. Set the Paper Thickness lever to Replace Ribbon (position 9) and open the Top Cover.



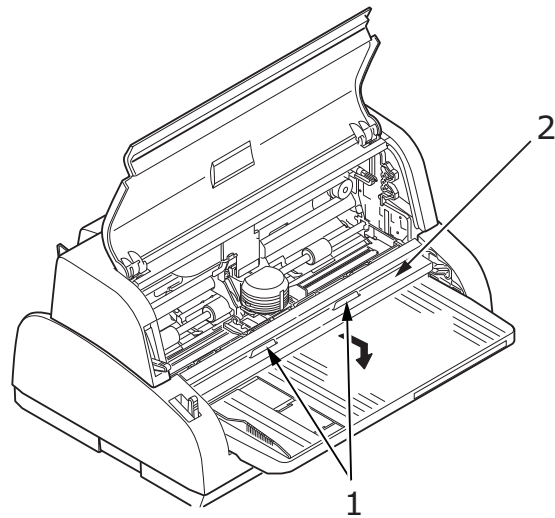
WARNING!

The print head and area around it may be hot after printing. Allow it to cool down before touching it.

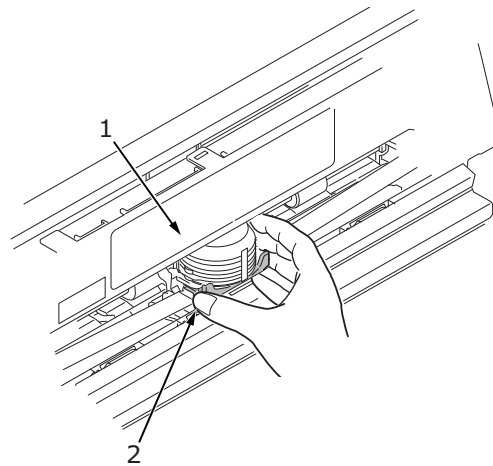
3. Move the carriage (1) to the center (2) for ribbon replacement position.



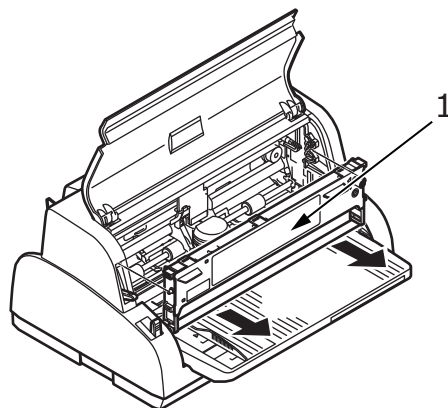
4. Hold (1) and lift the paper sheet guide (2) and slide it along the rails in the direction indicated by the arrow until it locks into position.



5. Hold the ribbon cartridge (1) with your fingers pressing on its ribbon guide (2) and slope it up and out to remove it from the carriage.

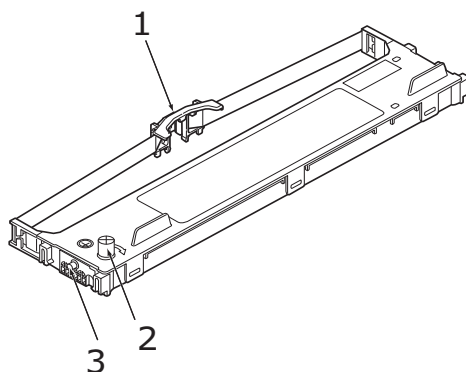


6. Holding the ribbon cartridge (1) close to both ends, slope it up and out until it unlocks then remove it along the direction indicated by the arrows.

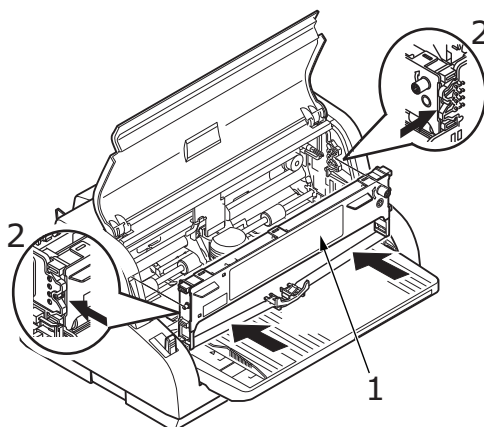


7. Dispose of the cartridge in accordance with your local guidelines.

- 8.** Remove the new ribbon cartridge from its wrapping and note the position of the Ribbon Guide (1), Knob (2) and Pin (3).



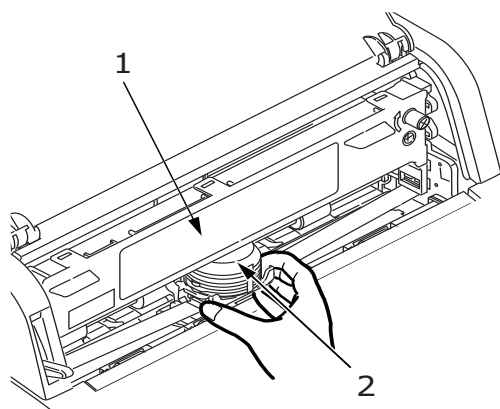
- 9.** In the direction indicated by the arrows, insert the pins at both ends of the ribbon cartridge (1) into the U grooves (2) in the printer until the ribbon cartridge is fully locked.



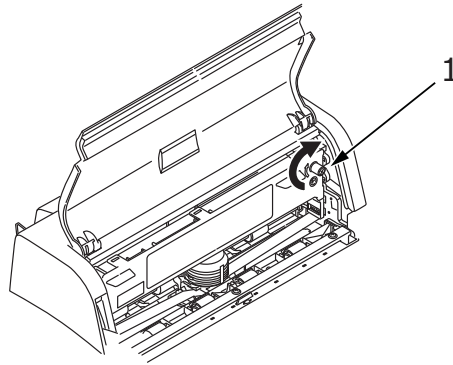
NOTE

It may be easier to mount the ribbon cartridge in place if you align it with the topside of the grooves. Also, a slightly loose ribbon may make it easier to mount the ribbon cartridge.

- 10.** Hold the ribbon cartridge (1) with your fingers pressing on its ribbon guide (2) and slope it downward until the ribbon guide (2) comes in line with the U slot at the top of the cartridge.



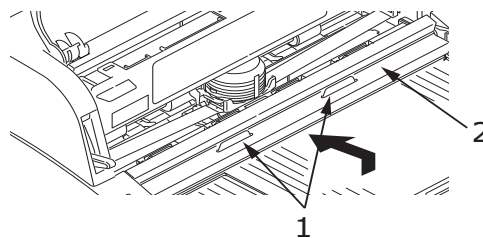
11. Turn the knob (1) clockwise (in the direction of the arrow) to wind up the ribbon.



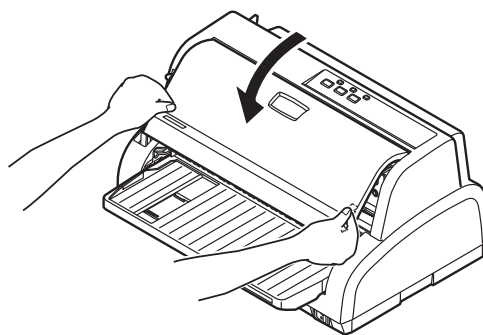
CAUTION!

- > Do not turn the knob anticlockwise as the ribbon might jam.
- > Make sure that the ribbon is not twisted or damaged when it goes through the gap between the Print Head and the ribbon guide.

12. Hold (1) and lift the paper feed guide (2) and slide it along the rails in the direction indicated by the arrows until it locks back into position.



13. Close the printer Top Cover.



14. Set the Paper Thickness lever to match the paper being used. (See ["Setting the Paper Thickness lever"](#) on page 22.)
15. Set the printer Power Switch to ON.

SPECIFICATIONS

ITEM	SPECIFICATION
Model No.	D22511B
Print method	Impact dot matrix
Print head	24 pins, 0.2 mm (0.0079 in) diameter
Dimensions	349mm(W) x 290mm(D) x 180mm(H)
Weight	4 kg
Power rating Voltage Frequency	220 – 240V ± 10% 50/60 Hz ± 2Hz
Power consumption Operation Powersave mode	Typ. 45W (ISO/IEC1056/Letter) 1.7W
Environmental conditions Operating Storage	5°C – 40°C, 30% – 85% RH (Testing condition for print precision: 15°C – 30°C, 40% – 70%RH) -20°C – 60°C, 0% – 95% RH When the printer is stored, it should be in its original packaging, with no moisture formation.
Noise level	The acoustic noise of this product is less than 58dB (A) as measured in accordance with EN ISO 7779.

INDEX

A

alarm indications..... 38
aligning perforations 21

B

button switches..... 25

C

cleaning
 exterior 43
 interior..... 43

D

drivers..... 14

E

ejecting paper
 continuous forms..... 20
 cut sheet..... 17
emphasis printing 34

F

fault finding..... 38

I

indicators 24
interface
 parallel..... 13
 serial..... 13
 USB..... 13

L

loading paper
 continuous forms 18
 cut sheet..... 16

M

menu mode
 activate menu mode..... 26
menu settings
 changing 26
 confirming 26
 initialising 33
 list..... 27

P

paper jams
 continuous forms..... 37
 cut sheet..... 35
printer
 location 10
 parts 9
 test print..... 12
printing files 15

R

ribbon
 changing..... 45

S

setting paper thickness..... 22
specifications..... 49
switching ON 11

T

test page..... 14
TOF

saving 34
setting 33

U

user guide
 list 7
 printing..... 8

OKI CONTACT DETAILS

OkI Systems (UK) Limited

Blays House
Wick Road
Egham
Surrey
TW20 0HJ

Tel: +44 (0) 1784 274300
Fax: +44 (0) 1784 274301
<http://www.oki.co.uk>

OkI Systems Ireland Limited

The Square Industrial Complex
Tallaght
Dublin 24

Tel: +353 (0) 1 4049590
Fax: +353 (0) 1 4049591
<http://www.oki.ie>

OkI Systems Ireland Limited - Northern Ireland

19 Ferndale Avenue
Glengormley
BT36 5AL
Northern Ireland

Tel: +44 (0) 7767 271447
Fax: +44 (0) 1 404 9520
<http://www.oki.ie>

Technical Support for all Ireland:

Tel: +353 1 4049570
Fax: +353 1 4049555
E-mail: tech.support@oki.ie

OKI Systems (Czech and Slovak), s.r.o.

IBC – Pobřežní 3
186 00 Praha 8
Czech Republic

Tel: +420 224 890158
Fax: +420 22 232 6621
Website: www.oki.cz, www.oki.sk

OkI Systems (Deutschland) GmbH

Hansaallee 187
40549 Düsseldorf

Tel: 01805/6544357**
01805/OKIHELP**
Fax: +49 (0) 211 59 33 45
Website:
www.okiprintingsolutions.de
info@oki.de

**0,14€/Minute aus dem dt. Festnetz
der T-Com (Stand 11.2008)

Διανομέας των συστημάτων OKI

CPI S.A1 Rafailidou str.
177 78 Tavros
Athens
Greece

Tel: +30 210 48 05 800
Fax: +30 210 48 05 801
EMail: sales@cpi.gr

OkI Systèmes (France) S.A.

44-50 Av. du Général de Gaulle
94246 L'Hay les Roses
Paris

Tel: +33 01 46 15 80 00
Télécopie: +33 01 46 15 80 60
Website: www.oki.fr

OKI Systems (Magyarország) Kft.

Capital Square
Tower 2
7th Floor
H-1133 Budapest,
Váci út 76
Hungary

Telefon: +36 1 814 8000
Telefax: +36 1 814 8009
Website: www.okihu.hu

OKI Systems (Italia) S.p.A.

via Milano, 11,
20084 Lacchiarella (MI)

Tel: +39 (0) 2 900261
Fax: +39 (0) 2 90026344
Website: www.oki.it

OKI Printing Solutions

Platinum Business Park II, 3rd Floor
ul. Domaniewska 42
02-672 Warsaw
Poland

Tel: +48 22 448 65 00
Fax: +48 22 448 65 01
Website: www.oki.com.pl
E-mail: oki@oki.com.pl
Hotline: 0800 120066
E-mail: tech@oki.com.pl

OkI Systems (Ibérica) S.A.

Sucursal Portugal
Edifício Prime -
Av. Quinta Grande 53
7º C Alfragide
2614-521 Amadora
Portugal

Tel: +351 21 470 4200
Fax: +351 21 470 4201
Website: www.oki.pt
E-mail : oki@oki.pt

OkI Service

Serviço de apoio técnico ao Cliente

Tel: 808 200 197
E-mail : okiserv@oki.pt

OKI Europe Ltd. (Russia)

Office 702, Bldg 1
Zagorodnoye shosse
117152, Moscow

Tel: +74 095 258 6065
Fax: +74 095 258 6070
e-mail: info@oki.ru
Website: www.oki.ru

Technical support:

Tel: +7 495 564 8421
e-mail: tech@oki.ru

OkI Systems (Österreich)

Campus 21
Businesszentrum Wien Sued
Liebermannstrasse A02 603
22345 Brun am Gebirge

Tel: +43 223 6677 110
Drucker Support:
+43 (0) 2236 677110-501
Fax Support:
+43 (0) 2236 677110-502
Website: www.oki.at

OKI Europe Ltd. (Ukraine)

Raisy Opkinoy Street,8
Building B, 2nd Floor,
Kiev 02002
Ukraine

Tel: +380 44 537 5288
e-mail: info@oki.ua
Website: www.oki.ua

OKI Sistem ve Yazıcı Çözümleri Tic. Ltd. Şti.

Harman sok Duran Is Merkezi,
No:4, Kat:6,
34394, Levent
İstanbul

Tel: +90 212 279 2393
Faks: +90 212 279 2366
Web: www.oki.com.tr
www.okiprintingsolutions.com.tr

OkI Systems (Belgium)

Medialaan 24
1800 Vilvoorde

Helpdesk: 02-2574620
Fax: 02 2531848
Website: www.oki.be

AlphaLink Bulgaria Ltd.

2 Kukush Str.
Building "Antim Tower", fl. 6
1463 Sofia, Bulgaria

tel: +359 2 821 1160
fax: +359 2 821 1193
Website: <http://bulgaria.oki.com>

OKI Printing Solutions

Herstedøstervej 27
2620 Albertslund
Danmark

Adm.: +45 43 66 65 00
Hotline: +45 43 66 65 40
Salg: +45 43 66 65 30
Fax: +45 43 66 65 90
Website: www.oki.dk

OkI Systems (Finland) Oy

Polaris Capella
Vänrikinkuja 3
02600 Espoo

Tel: +358 (0) 207 900 800
Fax: +358 (0) 207 900 809
Website: www.oki.fi

OkI Systems (Holland) b.v.

Neptunstraat 27-29
2132 JA Hoofddorp

Helpdesk: 0800 5667654
Tel: +31 (0) 23 55 63 740
Fax: +31 (0) 23 55 63 750
Website: www.oki.nl

OkI Systems (Norway) AS

Tevlingveien 23
N-1081 Oslo

Tel: +47 (0) 63 89 36 00
Telefax: +47 (0) 63 89 36 01
Ordrefax: +47 (0) 63 89 36 02
Website: www.oki.no

**General Systems S.R.L.
(Romania)**

Sos. Bucuresti-Ploiesti Nr. 135.
Bucharest 1
Romania

Tel: +40 21 303 3138
Fax: +40 21303 3150
Website: <http://romania.oki.com>

Var vänlig kontakta din Återförsäljare
i första hand, för konsultation. I andra
hand kontakta

Oki Systems (Sweden) AB

Borgafjordsgatan 7
Box 1191
164 26 Kista

Tel. +46 (0) 8 634 37 00

e-mail:

info@oki.se för allmänna frågor om
Oki produkter

support@oki.se för teknisk support
gällandes Oki produkter

Vardagar: 08.30 - 12.00,
13.00 - 16.00

Website: www.oki.se

Oki Systems (Schweiz)

Baslerstrasse 15
CH-4310 Rheinfelden

Support deutsch +41 61 827 94 81

Support français +41 61 827 94 82

Support italiano +41 061 827 9473

Tel: +41 61 827 9494

Website: www.oki.ch

OKI EUROPE LIMITED

Blays House
Wick Road
Egham
Surrey TW20 0HJ
United Kingdom

Tel: +44 (0) 208 219 2190

Fax: +44 (0) 208 219 2199

WWW.OKIPRINTINGSOLUTIONS.COM

