

C3600

OKI
PRINTING SOLUTIONS



C3600n



 **C3000**
Series

PREFACE

Every effort has been made to ensure that the information in this document is complete, accurate, and up-to-date. The manufacturer assumes no responsibility for the results of errors beyond its control. The manufacturer also cannot guarantee that changes in software and equipment made by other manufacturers and referred to in this guide will not affect the applicability of the information in it. Mention of software products manufactured by other companies does not necessarily constitute endorsement by the manufacturer.

While all reasonable efforts have been made to make this document as accurate and helpful as possible, we make no warranty of any kind, expressed or implied, as to the accuracy or completeness of the information contained herein.

The most up-to-date drivers and manuals are available from:

<http://www.okiprintingsolutions.com>

Copyright © 2008 Oki Europe Ltd. All rights reserved.

Oki, Oki Printing Solutions and Microline are registered trademarks of Oki Electric Industry Company, Ltd.

Microsoft, MS-DOS and Windows are registered trademarks of Microsoft Corporation.

Apple, Macintosh, Mac and Mac OS are registered trademarks of Apple Computer.

Other product names and brand names are registered trademarks or trademarks of their proprietors.



This product complies with the requirements of the Council Directives 2004/108/EC (EMC) and 2006/95/EC (LVD) and 1999/5/ EC (R&TTE), as amended where applicable on the approximation of the laws of the member states relating to Electromagnetic Compatibility, and Low Voltage and Radio and Telecommunications Terminal Equipment.

Please note that Microsoft Windows XP was used to produce all screenshots in this manual. These screenshots may vary if you are using any other operating system, but the principle is the same.

EMERGENCY FIRST AID

Take care with toner powder:

If swallowed, give small amounts of cold water and seek medical attention. DO NOT attempt to induce vomiting.



If inhaled, move the person to an open area for fresh air. Seek medical attention.

If it gets into the eyes, flush with large amounts of water for at least 15 minutes keeping eyelids open. Seek medical attention.

Spillages should be treated with cold water and soap to help reduce risk of staining skin or clothing.

MANUFACTURER

Oki Data Corporation,
4-11-22 Shibaura, Minato-ku,
Tokyo 108-8551,
Japan

IMPORTER TO THE EU/AUTHORISED REPRESENTATIVE

Oki Europe Limited (trading as Oki Printing Solutions)

Central House
Balfour Road
Hounslow
TW3 1HY
United Kingdom

For all sales, support and general enquiries contact your local distributor.

ENVIRONMENTAL INFORMATION



CONTENTS

Preface	2
Emergency first aid	3
Manufacturer	3
Importer to the EU/authorised representative	3
Environmental Information	3
Contents	4
Notes, cautions and warnings	5
Introduction	6
Printer overview	7
Front view	7
Rear view	8
Inside your printer	9
The Operation Panel	10
Switches	10
LEDs	10
Changing the display language	11
Paper recommendations	12
Cassette tray	12
Multi purpose tray	13
Face down stacker	13
Face up stacker	13
Loading paper	14
Cassette tray	14
Multi purpose tray	16
Operation	17
Using the machine	17
Menu functions	18
Operator Panel:	18
How to change the settings - User	19
How to change the settings - Administrator	20
Menus	21
Information menu	21
Shutdown menu	21
Print menu	21
Media menu	22
Colour menu	24
System configuration menu	25
PCL emulation	26
PPR emulation	27
FX emulation	28
USB menu	29
Network menu	29
Memory menu	30
Sys Adjust menu	31
Maintenance menu	31
Usage menu	32
Print Statistics menu	32
Administrator Menu	33

Replacing consumable items	36
Toner:	36
Starter Cartridges:	36
Replacement Cartridges:	36
Image drum:	36
Transfer belt:	36
Fuser:	36
Consumable order details	37
Toner cartridge replacement	37
Image drum replacement	41
Replacing the belt unit	44
Fuser replacement	46
Cleaning the LED head	47
Troubleshooting	48
Clearing paper jams	48
Installing additional memory	54
Order codes	54
Memory upgrade	54
Specifications	58
Index	60
Oki contact details	61

NOTES, CAUTIONS AND WARNINGS

NOTE

A note provides additional information to supplement the main text.

CAUTION!

A caution provides additional information which, if ignored, may result in equipment malfunction or damage.

WARNING!

A warning provides additional information which, if ignored, may result in a risk of personal injury.

INTRODUCTION

Congratulations on buying this Oki Printing Solutions colour printer. Your new printer is designed with advanced features to give you clear, vibrant colour prints and crisp black and white pages at high speed on a range of print media for the office.

Your printer includes these features:

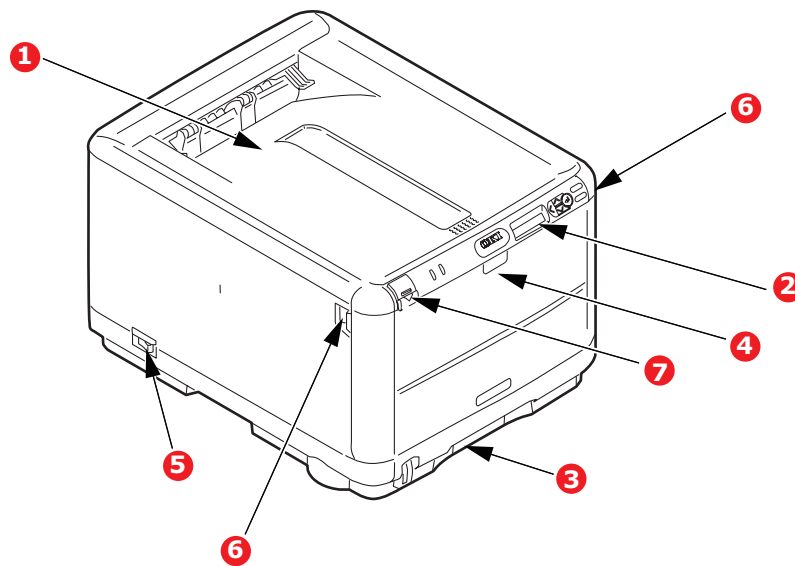
- > ProQ2400, multi-level technology produces subtler tones and smoother gradations of colour to lend photographic quality to your documents;
- > Up to 16 pages per minute in full colour for fast printing of high impact colour presentations and other documents;
- > Up to 20 pages per minute in black and white for fast and efficient printing of all general purpose documents not requiring colour;
- > 600 x 600, 1200 x 600 dpi (dots per inch) and ProQ2400 print resolution for high quality image production showing the finest detail;
- > Single Pass colour Digital LED technology for high speed processing of your printed pages;
- > PostScript 3, PCL 5C, PCL 6 and Epson FX emulations for industry standard operation and wide compatibility with most computer software;
- > 10Base-T and 100Base-TX network connection lets you share this valuable resource among users on your office network;
- > Photo Enhance mode to improve printouts of photographic images (Windows PCL driver only);
- > "Ask Oki" – a user-friendly function for Windows that provides a direct link from your printer driver screen to a dedicated web site specific to the exact model you are using. This is where you'll find all the advice, assistance and support you could need to help you get the best possible results from your Oki printer;
- > Template Manager utility for Windows enables the design and print of Business cards, banners, labels with ease.

Additionally, the following optional feature is available :

- > Additional memory, to allow printing of more complex pages.
OKI recommend upgrading the memory when printing banners, or when using ProQ2400.

PRINTER OVERVIEW

FRONT VIEW

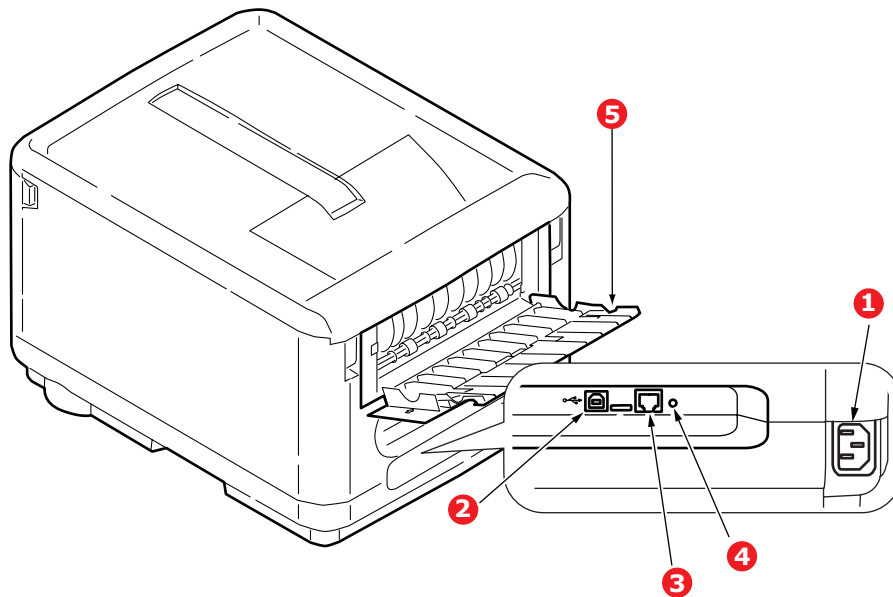


- | | |
|---|---|
| <ol style="list-style-type: none">1. Output stacker, face down. Standard printed copy delivery point. Holds up to 150 sheets at 80g/m².2. Operator panel. Menu driven operator controls and LCD display panel.3. Paper tray. Standard blank paper tray. Holds up to 200 sheets of 80g/m² paper. | <ol style="list-style-type: none">4. Multi purpose tray. Used for feeding heavier paper stocks, envelopes and other special media. Also for manual feeding of single sheets when required.5. ON/OFF switch.6. Front cover release lever.7. Top cover release button. |
|---|---|

The LCD display language can be changed to show different languages. ([see "Changing the display language" on page 11](#)).

REAR VIEW

This view shows the connection panel and the rear output stacker.

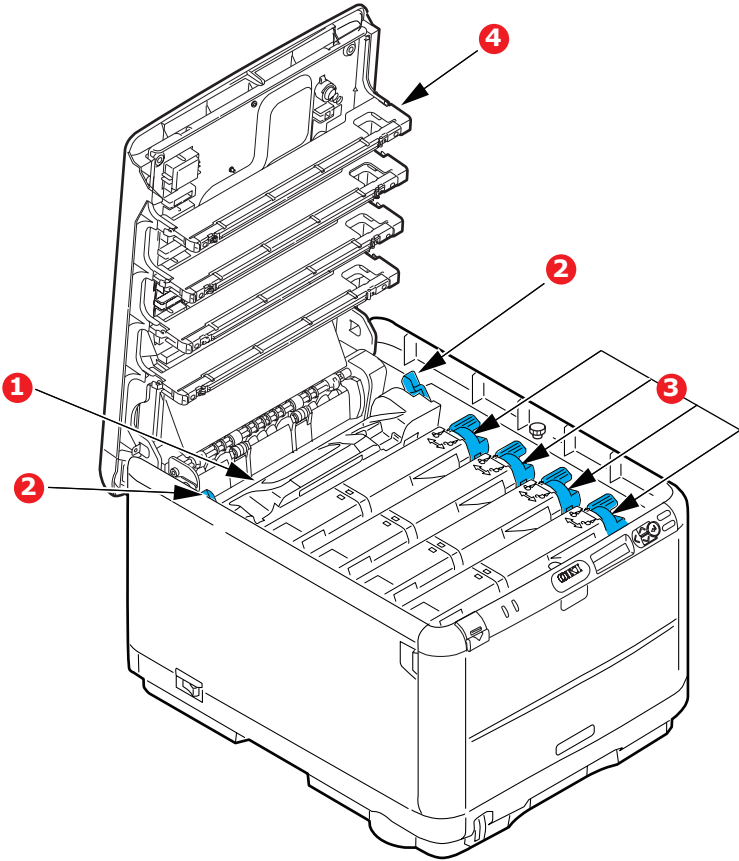


1. AC power socket.	3. Network interface.*
2. USB interface.	4. Network test button
	5. Rear, face up, 1 sheet stacker.

* The Network Interface may have a protective "plug" which must be removed before connection can be made.

When the rear paper stacker is folded down paper exits the printer through the rear of the printer and is stacked here face up. This is mainly used for heavy print media. When used in conjunction with the multi purpose tray, the paper path through the printer is essentially straight. This avoids bending the paper around curves in the paper path and enables feeding of up to 203g/m² media.

INSIDE YOUR PRINTER



<p>1. Fuser unit. The Fuser unit contains a heated roller that fixes toner to the print media (paper or card).</p> <p>2. Fuser lever. The lever has a locked position for when the toner cartridge is in place and an unlocked position for removal and changing.</p>	<p>3. Toner cartridges and toner cartridge levers. The 4 toner cartridges hold dry powdered ink. The lever locks the toner cartridge into place on the image drum or releases it for changing.</p> <p>4. 4 LED (Light Emitting Diode) Heads direct light onto the 4 image drums.</p>
---	--

THE OPERATION PANEL

The Operation Panel allows operator intervention and indicates both when the printer is operating normally and when it requires attention.



The Operation Panel incorporates 2 LEDs, a display screen and 6 push-button switches as follows:

SWITCHES

There are six switches on the operation panel labelled Back, Menu (up and down), Enter, On Line and Cancel.

SWITCH	FUNCTION
4. Back	Returns to the previous higher level menu item. Also exits menu.
5. Menu (up and down)	Enters the Menu mode. In Menu mode, forwards or reverses the menu item displayed. Press for 2 secs. or longer to fast forward or reverse.
6. Enter	In the On Line or Off Line mode: enters the Menu mode. In the Menu mode: determines the setting selected.
7. On Line	Switches between OnLine and Off line. Exits the menu and goes ONLINE when pressed in the Menu mode. Forces printing on the paper currently loaded when pressed with PAPER SIZE ERROR displayed.
8. Cancel	Deletes the data being printed or received when pressed for two seconds or longer. Deletes the data when pressed for two seconds or longer when PAPER SIZE ERROR or TRAY 1 EMPTY is displayed. Exits the menu and goes ONLINE when pressed in the Menu mode.

LEDs

There are two LEDs. A summary of the functions of each LED is given below:

LED	FUNCTION
1. Attention	ON: Attention state (e.g tray open/ paper out) BLINKING: Warning state (e.g. cover open). OFF: Normal condition.
2. On Line	ON: Ready to receive data. BLINKING: Processing data. OFF: Offline.

Service call error

When a service call error occurs, all LEDs blink rapidly and simultaneously at 120ms intervals.

CHANGING THE DISPLAY LANGUAGE

The default language used by your printer for display messages and for report printing is English. If required, this can be changed to:

German	Danish
French	Dutch
Italian	Turkish
Spanish	Portuguese
Swedish	Polish
Russian	Greek
Finnish	Czech
Hungarian	Norwegian

NOTE:

- > *The list above is neither conclusive nor exhaustive.*
 - > *See the information enclosed with the product (Operator Panel Language Set-up utility) on the procedure for changing the language setting.*
-

PAPER RECOMMENDATIONS

Your printer will handle a variety of print media, including a range of paper weights and sizes and envelopes. This section provides general advice on choice of media, and explains how to use each type.

The best performance will be obtained when using standard 75~90g/m² paper designed for use in copiers and laser printers. Suitable types are:

- > Arjo Wiggins Conqueror Colour Solutions 90g/m²;
- > Colour Copy by Neusiedler.

Use of heavily embossed or very rough textured paper is not recommended.

Pre-printed stationery can be used, but the ink must not offset when exposed to the high fuser temperatures used in the printing process.

Envelopes should be free from twist, curl or other deformations. They should also be of the rectangular flap type, with glue that remains intact when subjected to hot roll pressure fusing used in this type of printer. Window envelopes are not suitable.

Labels should also be of the type recommended for use in copiers and laser printers, in which the base carrier page is entirely covered by labels. Other types of label stock may damage the printer due to the labels peeling off during the printing process.

CASSETTE TRAY

SIZE	DIMENSIONS	WEIGHT	
A6	105 x 148mm		
A5	148 x 210mm		
B5	182 x 257mm		
Executive	184.2 x 266.7mm	Light	64-74g/m ²
A4	210 x 297mm	Medium	75-104g/m ²
Letter	215.9 x 279.4mm	Heavy	105-120g/m ²
Legal 13in.	216 x 330mm		
Legal 13.5in.	216 x 343mm		
Legal 14in.	216 x 356mm		

MULTI PURPOSE TRAY

The multi purpose tray can handle the same sizes as the cassette tray, but in weights from 75 to 203g/m². For very heavy paper stock use the face up (rear) paper stacker. This ensures that the paper path through the printer is almost straight.

The multi purpose tray can feed paper widths as small as 100mm and lengths up to 1220mm (banner printing).

For paper lengths exceeding 356mm (Legal 14in.) use paper stock between 90g/m² and 128g/m² and the face up (rear) paper stacker.

Use the multi purpose tray for printing on envelopes. Paper should be loaded print side up and top edge into the printer.

SIZE	DIMENSIONS	WEIGHT
A6	105 x 148mm	
A5	148 x 210mm	
B5	182 x 257mm	
Executive	184.2 x 266.7mm	
A4	210 x 297mm	
Letter	215.9 x 279.4mm	
Legal 13in.	216 x 330mm	Light: 64-74g/m ²
Legal 13.5in.	216 x 343mm	Medium: 75-90g/m ²
Legal 14in.	216 x 356mm	Heavy: 91-120g/m ²
Custom sizes	N/A	Ultra heavy: 121- 203g/m ²
COM-9 Envelope	N/A	
COM-10 Envelope	N/A	
Monarch Envelope	N/A	
C5	162 x 229mm	
DL	110 x 220mm	
Banner	210 x 1220 mm max.	

FACE DOWN STACKER

The face down stacker on the top of the printer can hold up to 150 sheets of 80g/m² standard paper, and can handle paper stocks up to 120g/m². Pages printed in reading order (page 1 first) will be sorted in reading order (last page on top, facing down).

FACE UP STACKER

The face up stacker at the rear of the printer should be opened and the tray extension extended when required for use. In this condition paper will exit via this path, regardless of driver settings.

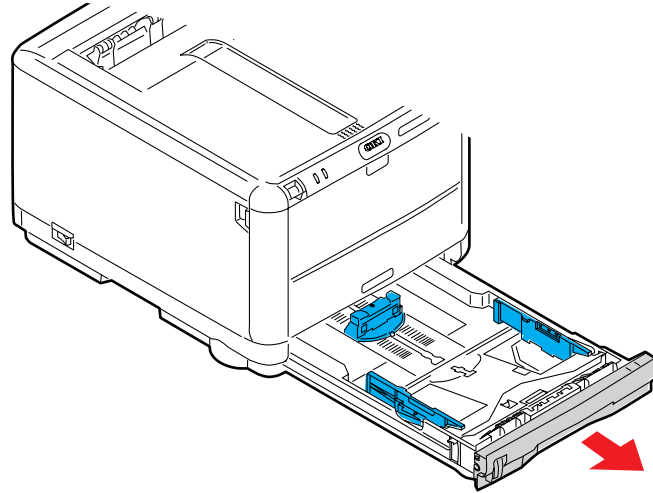
The face up stacker can hold up to 1 sheet of 80g/m² standard paper, and can handle stocks up to 203g/m².

Always use this stacker and the multi purpose feeder for paper stocks heavier than 120g/m².

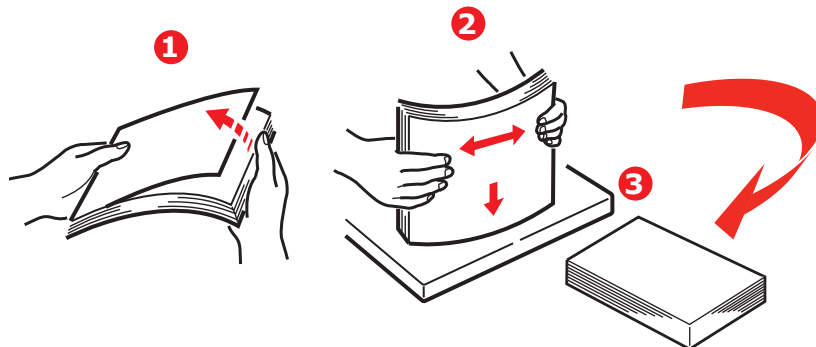
LOADING PAPER

CASSETTE TRAY

1. Remove the paper tray from the printer.

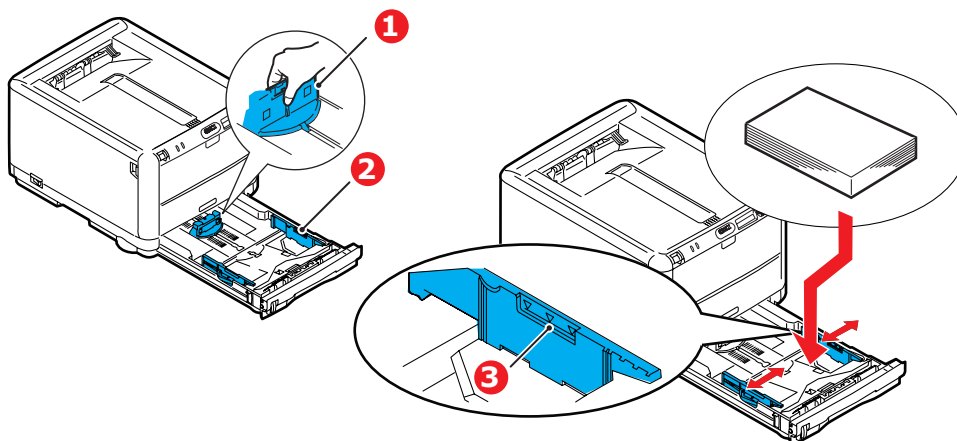


2. Fan the paper to be loaded at the edges (1) and in the middle (2) to ensure that all sheets are properly separated, then tap the edges of the stack on a flat surface to make it flush again (3).



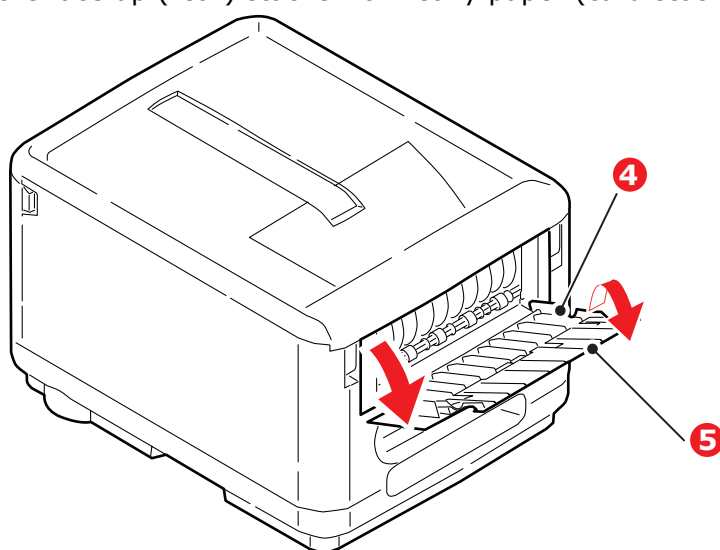
Load letter headed paper face down and top edge towards the front of the printer.

3. Adjust the rear stopper (1) and paper guides (2) to the size of paper being used. Use the level markings (3) on the paper guides as a gauge.



To prevent paper jams:

- > Do not leave space between the paper and the guides and rear stopper.
 - > Do not overfill the paper tray. Capacity depends on the type of paper stock.
 - > Do not load damaged paper.
 - > Do not load paper of different sizes or types at the same time.
 - > Do not pull the paper tray out during printing.
4. Close the paper tray gently.
 5. For face down printing, make sure the face up (rear) stacker (4) is closed (the paper exits from the top of the printer). Stacking capacity is approximately 250 sheets, depending on paper weight.
 6. For face up printing, make sure the face up (rear) stacker (4) is open and the paper support (5) is extended. Tray capacity is 1 sheet.
 7. Always use the face up (rear) stacker for heavy paper (card stock etc.).

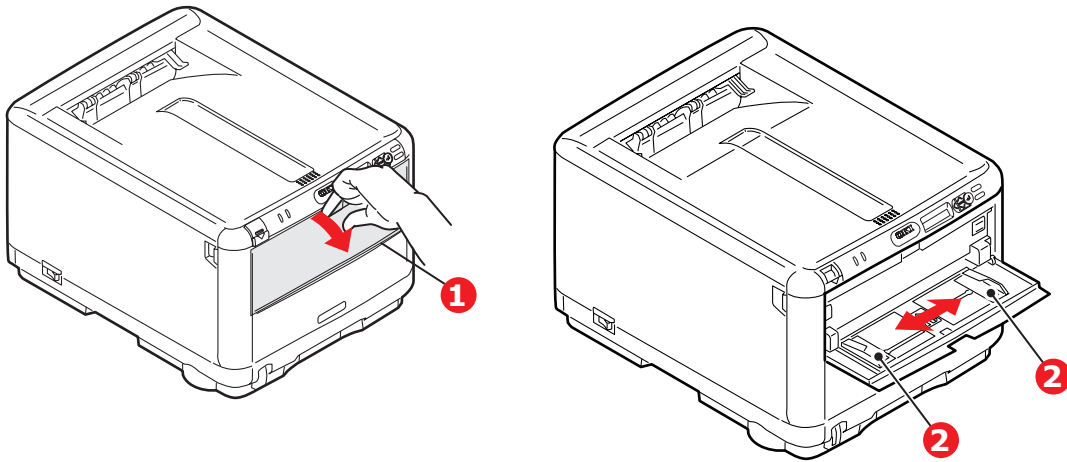


CAUTION!

Do not open or close the rear paper exit while printing as it may result in a paper jam.

MULTI PURPOSE TRAY

1. Open the multi purpose tray (1).



2. Adjust the paper guides (2) to the size of paper being used.
 - > For single-sided printing on headed paper load the paper into the multi purpose tray with pre-printed side up and top edge into the printer.
 - > Envelopes should be loaded face up with top edge to the left and short edge into the printer.
 - > Manually feed one sheet or envelope at a time.
3. Set the correct paper size for the multi purpose tray via the printer's operator panel.

OPERATION

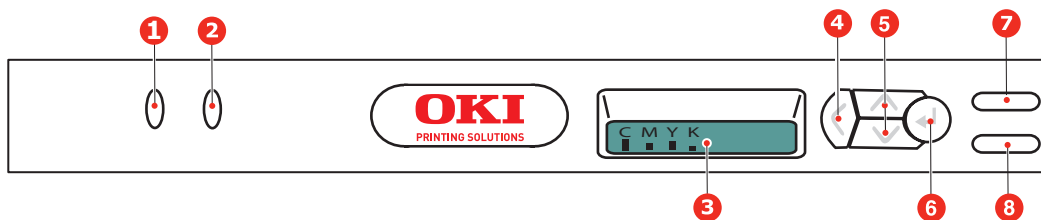
USING THE MACHINE

- > For full details of how to use the machine and any optional accessories to print jobs efficiently and effectively, please refer to the **Printing Guide**.
- > For full details of how to connect and use the network feature, please refer to the **Network Guide**.

MENU FUNCTIONS

This section lists the menus accessed via the controls on the printer's operator panel and displayed in the LCD window.

OPERATOR PANEL:



- | | | | |
|--------------------------------|---|---|---|
| <p>1. ATTENTION LED</p> | <p>ON: Attention state (e.g tray open/paper out)
 BLINKING: Warning state (e.g. cover open).
 OFF: Normal condition.</p> | <p>5. MENU Buttons (Up/Down)</p> | <p>Enters the Menu mode. In Menu mode, forwards or reverses the menu item displayed. Press for 2 secs. or longer to fast forward or reverse.</p> |
| <p>2. ONLINE LED</p> | <p>ON: Ready to receive data.
 BLINKING: Processing data.
 OFF: Offline.</p> | <p>6. ENTER Button</p> | <p>In the ONLINE or OFFLINE mode: enters the Menu mode.
 In the Menu mode: determines the setting selected.</p> |
| <p>3. DISPLAY</p> | <p>Displays the printer status and any error messages.</p> | <p>7. ONLINE Button</p> | <p>Switches between ONLINE and OFFLINE.
 Exits the menu and goes ONLINE when pressed in the Menu mode.
 Forces printing on the paper currently loaded when pressed with PAPER SIZE ERROR displayed.</p> |
| <p>4. BACK Button</p> | <p>Returns to the previous higher level menu item.</p> | <p>8. CANCEL Button</p> | <p>Deletes the data being printed or received when pressed for two seconds or longer.
 Deletes the data when pressed for two seconds or longer when PAPER SIZE ERROR or TRAY 1 EMPTY is displayed.
 Exits the menu and goes ONLINE when pressed in the Menu mode.</p> |

HOW TO CHANGE THE SETTINGS - USER

It should be noted that many of these settings can be, and often are, overridden by settings in the Windows printer drivers. However, several of the driver settings can be left at "Printer Setting", which will then default to the settings entered in these printer menus.

Where applicable, factory default settings are shown in bold type in the following tables.

In the normal operating condition, known as "printer save", the printer's LCD window will show a bar-graph representation of the quantity of toner remaining if in Ready mode, or it will flash between this and "Online Power Save" if in power save mode. In this condition, to enter the menu system, press the **Up/Down** buttons on the operator panel to move up and down through the list of menus until the menu you wish to view is displayed. Then proceed as follows:

1. Press **ENTER** to enter the menu.
2. Use the **Up/Down** buttons to move up and down through the items in the menu. When the item you want to change is displayed, press **ENTER** to view the sub-menu for that item.
3. Use the **Up/Down** buttons to move up and down through the sub-menu items. When the item you want to change is displayed press **ENTER** to select the item.
4. Use the **Up/Down** buttons to move up and down through the available settings for the sub-menu item. When the setting you want to change is displayed press **ENTER** to modify the selection. An asterisk (*) will appear next to the setting, indicating that this setting is currently in effect.
5. Do one of the following:
 - > Press **BACK** again to move up to the list of menus;or...
 - > Press **ON LINE** or **CANCEL** to exit from the menu system and return to standby.

NOTE

The menu can be entered at any time, even whilst the machine is printing.

HOW TO CHANGE THE SETTINGS - ADMINISTRATOR

You can set whether to ENABLE or DISABLE each category in the user menu.

Disabled categories are not displayed in the User's menu. Only a system administrator can change these settings.

1. Turn **OFF** the printer.
2. Turn **ON** the printer while pressing the **ENTER** button.
When **ADMIN MENU** appears, take your finger off the button.
3. Press the **ENTER** button.
4. When **ENTER PASSWORD** appears, press the **MENU Up** or **MENU Down** button several times to display the 1st line of the password and then press the **ENTER** button.
5. Enter your 4 - 9 digit password.
The default password is aaaaaa.
6. Press the **MENU Up** button until the "category" you want to change is displayed.
When it is, press the **ENTER** button.
7. Press the **MENU Up** button or **MENU Down** button until the "item" you want to change is displayed.
When it is, press the **ENTER** button.
Initialization of the flash memory prompts with the message **ARE YOU SURE?**.
Confirm whether the change may be executed or not.
8. To execute it, press the **MENU Up** button or **MENU Down** button to display **YES** and then press the **ENTER** button. The printer automatically reboots.
9. When **PLEASE POW OFF/SHUTDOWN COMP** is displayed, turn the printer **OFF/ON**
10. Press the **MENU Up** button or **MENU Down** button until the "setting" you want is displayed.)
11. Press the **ENTER** button to enter an asterix (*) on the right side of the setting selected.
12. Press the **ONLINE** button to switch to **ONLINE**.

MENUS

INFORMATION MENU

This menu provides a quick method of listing various items stored within the printer.

ITEM	ACTION	EXPLANATION
PRINT MENU MAP	EXECUTE	Prints complete menu listing with current settings shown.
NETWORK	EXECUTE	Prints Network configuration information.
PRINT FILE LIST	EXECUTE	Prints a list of overlays, macros, fonts and other files stored on the printer's hard disk drive (if installed).
PRINT PCL FONT	EXECUTE	Prints complete list of all internal PCL fonts plus those stored in ROM (slot 0), flash memory and in hard disk (if installed).
PRINT PSE FONT	EXECUTE	Prints complete list of all internal PostScript emulation fonts.
PRINT PPR FONT	EXECUTE	Prints complete list of all internal IBM ProPrinter III XL emulation fonts, including any downloaded to flash memory or hard disk.
PRINT FX FONT	EXECUTE	Prints complete list of all internal Epson FX emulation fonts, including any downloaded to flash memory or hard disk.
DEMO1	EXECUTE	Prints demonstration page containing graphics and text in colour and monochrome.
PRINT ERROR LOG	EXECUTE	Prints a list of all errors and warnings experienced.
USAGE REPORT	EXECUTE	Scroll down to this parameter and select execute to print out a list of colour and mono pages printed.
COLOR PROF LIST	EXECUTE	Prints a list of stored colour profiles.

SHUTDOWN MENU

This menu only appears if **ENABLE** is selected in **ADMIN** menu.

ITEM	SETTINGS	EXPLANATION
SHUTDOWN START	EXECUTE	Performs controlled shutdown of the printer, ensuring that all files are closed before power is turned off. Only power the printer off when the display indicates that shutdown is complete.

PRINT MENU

This menu provides adjustment of various print job related functions.

ITEM	SETTINGS	EXPLANATION
COPIES	1-999	Enter the number of copies of a document to be printed from 1 to 999.
MANUAL FEED	ON OFF	When ON, paper is fed from the multi purpose tray.
MEDIA CHECK	ENABLE DISABLE	Determines whether the printer check the size of paper loaded matches that required for the document sent to print.
RESOLUTION	600DPI 600 x 1200DPI 600DPI M-LEVEL	Sets the default resolution for printing (dots per inch). 600x1200DPI uses more memory and requires more time to process, but prints at a higher quality.
TONER SAVE MODE	ON OFF	Reduces the amount of toner used for imaging. Toner saving gives lighter prints but is more economical.

ITEM	SETTINGS	EXPLANATION
MONO-PRINT SPEED	AUTO SPEED NORMAL SPEED COLOR SPEED	<p>If the first page of a print job is black and white, the printer runs at 20ppm (pages per minute). When a colour page is detected the printer slows down to 16ppm.</p> <p>This setting operates in the same way as AUTO SPEED, except that the printer runs at 20ppm until a colour page is detected, when it switches to 16PPM. This setting is therefore most appropriate when the majority of print jobs are entirely black and white.</p> <p>The printer runs at 16ppm for all print jobs. This setting is most appropriate when the majority of print jobs are in colour.</p>
ORIENTATION	PORTRAIT LANDSCAPE	Selects default page orientation between portrait (tall) and landscape (wide). - (PCL, IBMPPR & EPSON FX only)
LINES PER PAGE	5~ 64 ~128	Sets the number of lines of text per page when raw text is received from systems other than Windows. The default for A4 portrait is 65, and for Letter is 60. - (PCL only)
EDIT SIZE	CASSETTE SIZE A4 /A5/ A6 / B5 LEGAL14 LEGAL13.5 LEGAL13 LETTER EXECUTIVE CUSTOM COM-9 ENVELOPE COM-10 ENVELOPE MONARCH ENVELOPE DL ENVELOPE C5 ENVELOPE	Sets the size of the printable page area to match the size of paper in use. This is not the same as the physical paper size, which is always slightly larger. For dimensions of physical page sizes, see "Paper Recommendations" section in this guide.

MEDIA MENU

This menu provides adjustment to suit a wide range of print media.

ITEM	SETTINGS	EXPLANATION
TRAY PAPERSIZE	A4 /A5/ A6/ B5/LEGAL14/ LEGAL13.5/ LEGAL13/ LETTER/ EXECUTIVE CUSTOM	Selects the size of paper loaded in the Cassette Tray. For CUSTOM setting see X-DIMENSION and Y-DIMENSION later in this table.
TRAY MEDIATYPE	PLAIN LETTERHEAD BOND RECYCLED ROUGH GLOSSY USERTYPE1 USERTYPE2 USERTYPE3 USERTYPE4 USERTYPE5	<p>Selects the type of media loaded in this tray. This will help the printer to adjust its internal operating parameters, such as engine speed and fusing temperature, to better accommodate the media to be fed. For example, letterhead may benefit from a slightly lower fusing temperature to ensure that its ink does not offset.</p> <p>Note: USERTYPEn are displayed only if registered in the host PC/ Server.</p>
TRAY MEDIAWEIGHT	LIGHT MEDIUM HEAVY	Adjusts the printer for the weight of paper stock loaded in this tray.

ITEM	SETTINGS	EXPLANATION
MF PAPERSIZE	LETTER EXECUTIVE LEGAL14 LEGAL13.5 LEGAL13 A4 / A5 / A6 / B5 CUSTOM COM-9 ENVELOPE COM-10 ENVELOPE MONARCH ENV DL ENVELOPE C5 ENVELOPE	Selects the size of paper to be fed from the multi purpose tray. For CUSTOM setting see X-DIMENSION and Y-DIMENSION later in this table.
MF MEDIATYPE	PLAIN LETTERHEAD LABELS BOND RECYCLED CARD STOCK ROUGH GLOSSY USER TYPE 1 USER TYPE 2 USER TYPE 3 USER TYPE 4 USER TYPE 5	Selects the type of media to be fed from the multi purpose tray so that the printer can adjust its internal parameters to better accommodate the selected type of media.
MF MEDIAWEIGHT	LIGHT MEDIUM HEAVY ULTRA HEAVY	Selects the media weight to be fed from the multi purpose tray.
UNIT OF MEASURE	MILLIMETRE INCH	Selects the unit of measure.
X-DIMENSION	100- 210 -216 MILLIMETRE	Selects the width of paper defined by the "CUSTOM" settings referred to in the foregoing PAPER SIZE settings.
Y-DIMENSION	148-279 297 -1220 MILLIMETRE	Selects the length of paper defined by the "Custom" settings referred to in the foregoing PAPER SIZE settings. Note that media of up to 1220mm in length can be fed from the multi purpose tray for banner printing.

COLOUR MENU

The printer automatically adjusts colour balance and density at appropriate intervals, optimising the printed output for bright white paper viewed in natural daylight conditions. The items on this menu provide a means of changing the default settings for special or particularly difficult print jobs.

ITEM	SETTINGS	EXPLANATION
DENSITY CONTROL	AUTO MANUAL	If set to AUTO, image density will be automatically adjusted at power on, when a new image drum or toner cartridge is installed, and at intervals of 100, 300 and 500 drum counts. If a 500 drum count interval occurs during a print job it will occur at the end of that job, and will take up to 55 seconds. If set to manual, this adjustment will only be performed when initiated by the next menu item.
ADJUST DENSITY	EXECUTE	Selecting this will activate adjustment of the colour density. Note: This adjustment must be carried out at idle.
COLOUR TUNING	PRINT PATTERN	Selecting this item prints the colour tuning pattern to help you adjust the colour balance. Note: Normally occurs automatically.
C HIGHLIGHT C MID-TONE C DARK M HIGHLIGHT M MID-TONE M DARK Y HIGHLIGHT Y MID-TONE Y DARK K HIGHLIGHT K MID-TONE K DARK	-3~ 0 ~+3 -3~ 0 ~+3 -3~ 0 ~+3 -3~ 0 ~+3 -3~ 0 ~+3 -3~ 0 ~+3 -3~ 0 ~+3 -3~ 0 ~+3 -3~ 0 ~+3 -3~ 0 ~+3 -3~ 0 ~+3 -3~ 0 ~+3	Adjusts image density for each colour component (cyan, magenta, yellow and black). Normal setting is 0.
C DARKNESS M DARKNESS Y DARKNESS K DARKNESS	-3~ 0 ~+3 -3~ 0 ~+3 -3~ 0 ~+3 -3~ 0 ~+3	Adjusts darkness of each colour component (cyan, magenta, yellow and black). Normal setting is 0.
AJST REGISTRATION	EXECUTE	Performs automatic colour registration adjustment. Normally this is done on power on and when the top cover is opened and then closed. This process accurately aligns the cyan, magenta and yellow images to the black image. Note: This adjustment must be carried out at idle.
C REG FINE AJST M REG FINE AJST Y REG FINE AJST	-3~ 0 ~+3 -3~ 0 ~+3 -3~ 0 ~+3	Performs fine adjustment of image timing in relation to the black image component.
INK SIMULATION	OFF SWOP EUROSCALE JAPAN	Selects from a range of industry standard colour swatches. Note: This function only applies to PS models
UCR	LOW MEDIUM HIGH	Selects limitation of the toner layer thickness. If paper curl occurs in dark printing, selecting MEDIUM or LIGHT sometimes helps reduce curl.

ITEM	SETTINGS	EXPLANATION
CMY 100% DENSITY	DISABLE ENABLE	When enabled, black areas are produced using 100% C, M, and Y instead of black. This results in a glossier finish.
CMYK CONVERSION	ON OFF	Setting to "OFF" will simplify the conversion process of CMYK data, which will reduce the processing time. This setting is ignored when Ink Simulation function is used. Note: This function only applies to PS models

SYSTEM CONFIGURATION MENU

This menu adjusts general printer settings to suit the way you prefer to work.

ITEMS	SETTINGS	EXPLANATION
POWER SAVE TIME	5 MIN 15 MIN 30 MIN 60 MIN 240 MIN	Adjusts the idling time before the printer automatically switches into power saving mode. In this mode power consumption is reduced to a low level required to just keep the printer operating and ready to receive data. When a job is sent the printer will require a warm-up time of up to 1 minute before printing can begin.
PERSONALITY	AUTO PCL IBM PPR III XL EPSON FX PS3 EMULATION	This item selects which industry standard emulation your printer should use. When set to AUTO, incoming data is examined and the correct emulation is automatically selected each time a print job is received.
USB PS PROTOCOL	RAW ASCII	Selects PostScript data format for USB port.
NET PS PROTOCOL	RAW ASCII	Selects PostScript data format for network port.
CLRABLE WARNING	ONLINE JOB	When ONLINE, non-critical warnings, such as requests for a different paper size occur, they can be cleared by pressing the ON LINE button. When set to JOB, they are cleared when the print job resumes.
AUTO CONTINUE	ON OFF	Determines whether or not the printer will automatically recover from a memory overflow condition.
MANUAL TIMEOUT	OFF 30~ 60 ~300	Specifies how many seconds the printer will wait for paper to be fed before cancelling the job.
WAIT TIMEOUT	5~ 40 ~300, OFF	Specifies how many seconds the printer will wait when received data pauses before forcing a page eject. In PostScript Emulation mode the job will be cancelled if timeout occurs.
LOW TONER	CONTINUE STOP	Specifies whether the printer should continue printing even after a low toner condition is detected.
JAM RECOVERY	ON OFF	Specifies whether the printer should perform jam recovery after a paper jam has occurred. If ON, the printer will attempt to re-print any pages lost due to a paper jam once the jam has been cleared.
ERROR REPORT	ON OFF	If ON, the printer will print error details when a PostScript Emulation error occurs. Note: Applies to PS & PCL XL only.

PCL EMULATION

This menu controls settings effective when the printer is operating in PCL emulation mode.

ITEMS	SETTINGS	EXPLANATION
FONT SOURCE	RESIDENT / RESIDENT2 DOWNLOADED	Specifies the location of the PCL default font. Normally this will be INTERNAL unless additional fonts are installed in the expansion ROM slot or additional fonts have been downloaded to RAM as permanent fonts.
FONT No.	10 / C001 / S001	Sets the current default font number from the currently selected source, which could be internal (I), ROM slot (C) or downloaded (S).
FONT PITCH	0.44CPI~ 10.00CPI ~ 99.99CPI	Sets the width of the PCL default font in characters/inch (CPI). Default font is the fixed-pitch, scalable font. The value is displayed to the second decimal place Displayed only when the font selected in Font No. is fixed-spacing, scalable font.
SYMBOL SET	PC-8 (Default Symbol Set only shown)	PCL symbol set. If the font source and number are changed to one which does not support the selected symbol set, this must be changed to an available symbol set for that font.
A4 PRINT WIDTH	78 COLUMN 80 COLUMN	Sets the number of columns subject to Auto LF with A4 paper in PCL. This is the value when Auto CR/LF Mode is set to OFF with the 10CPI character.
WHITE PAGE SKIP	OFF / ON	Selects whether blank pages are printed or not.
CR FUNCTION	CR / CR+LF	Selects whether a received carriage return character (0Dh) also causes a line feed.
LF FUNCTION	LF / LF+CR	Selects whether a received line feed character (0Ah) also causes a carriage return.
PRINT MARGIN	NORMAL 1/5 INCH 1/6 INCH	Sets the non-printable page area. NORMAL is PCL compatible.
TRUE BLACK	OFF / ON	Selects whether black image data is printed using black toner (ON) or 100% CMY (OFF). (Valid in PCL emulation mode only.)
PEN WIDTH ADJUST	ON /OFF	Set to ON when minimum width specified, to stretch a one dot line and eliminate gaps.
TRAY ID#	MP TRAY 1- 2 -59	

PPR EMULATION

This menu controls settings effective when the printer is operating in PPR emulation mode.

ITEM	SETTINGS	EXPLANATION
CHARACTER PITCH	10 CPI ; 12 CPI; 17 CPI; 20 CPI; PROPORTION AL	Specifies character pitch in IBM PPR emulation.
FONT CONDENSE	12CPI - 20CPI ; 12CPI - 12CPI	Specifies 12CPI pitch for Condense Mode.
CHARACTER SET	Set 1; Set 2	Specifies a character set.
SYMBOL SET	IBM 437 (Default Symbol Set only shown)	Specifies a symbol set.
LETTER 0 STYLE	Disable ; Enable	Specifies the style that replaces 9BH with letter o and 9DH with a zero
ZERO CHARACTER	Normal ; Slashed	Sets the zero to be slashed or unslashed.
LINE PITCH	6 LPI ; 8 LPI	Specifies the line spacing.
WHITE PAGE SKIP	OFF / ON	Selects whether blank pages are printed or not.
CR FUNCTION	CR / CR+LF	Selects whether a received carriage return character (0Dh) also causes a line feed.
LF FUNCTION	LF / LF+CR	Selects whether a received line feed character (0Ah) also causes a carriage return.
LINE LENGTH	80 COLUMN ; 136 COLUMN	Specifies the number of characters per line.
FORM LENGTH	11 Inch; 11.7 Inch 12 Inch	Specifies the length of paper.
TOP POSITION	0.0 INCH - 1.0 Inch	Specifies the distance of print from the top edge of the paper.
LEFT MARGIN	0.0 Inch - 1.0 Inch	Specifies the distance of print from the left hand edge of the paper.
FIT TO LETTER	Disable ; Enable	Sets the printing mode that can fit print data, equivalent to 11 inches (66 lines), in the LETTER-size printable area.
TEXT HEIGHT	Same ; Diff	Sets the height of a character. SAME: Regardless of CPI, same height DIFF: As CPI, character heights vary.

FX EMULATION

This menu controls settings effective when the printer is operating in FX emulation mode.

ITEM	SETTINGS	EXPLANATION
CHARACTER PITCH	10 CPI; 12 CPI; 17 CPI; 20 CPI; PROPORTION AL	Specifies character pitch in this emulation.
CHARACTER SET	Set 1; Set 2	Specifies a character set.
SYMBOL SET	IBM 437 (Default Symbol Set only shown)	Specifies a symbol set.
LETTER 0 STYLE	Disable; Enable	Specifies the style that replaces 9BH with letter o and 9DH with a zero
ZERO CHARACTER	Normal; Slashed	Sets the zero to be slashed or unslashed.
LINE PITCH	6 LPI; 8 LPI	Specifies the line spacing.
WHITE PAGE SKIP	OFF / ON	Selects whether blank pages are printed or not.
CR FUNCTION	CR / CR+LF	Selects whether a received carriage return character (0Dh) also causes a line feed.
LINE LENGTH	80 COLUMN; 136 COLUMN	Specifies the number of characters per line.
FORM LENGTH	11 inch; 11.7 inch; 12 inch	Specifies the length of paper.
TOF POSITION	0.0 inch - 1.0 inch	Specifies the distance of print from the top edge of the paper.
LEFT MARGIN	0.0 inch - 1.0 inch	Specifies the distance of print from the left hand edge of the paper.
FIT TO LETTER	Disable; Enable	Sets the printing mode that can fit print data, equivalent to 11 inches (66 lines), in the LETTER-size printable area.
TEXT HEIGHT	Same; Diff	Sets the height of a character. SAME: Regardless of CPI, same height. DIFF: As CPI, character heights vary.

USB MENU

This menu controls the operation of the printer's USB data interface.

ITEM	SETTINGS	EXPLANATION
SOFT RESET	ENABLE / DISABLE	Enables or disables the SOFT RESET command.
SPEED	12 / 480 Mps	Selects the interface speed.
OFFLINE RECEIVE	ENABLE / DISABLE	OFFLINE RECEIVE.
SERIAL NUMBER	ENABLE / DISABLE	Specifies whether to ENABLE or DISABLE a USB serial number. The USB serial number is used to identify the USB device connected to your PC.

NOTE

When you have changed any settings in the USB MENU, turn the printer OFF, then ON again.

NETWORK MENU

This menu controls the operation of the printer's 10Base-T/100Base-TX network interface.

ITEM	SETTINGS	EXPLANATION
TCP/IP	ENABLE / DISABLE	Enables or disables this network protocol.
IP VERSION	IP V4 / IPV 4 & V6 IPV 6	Sets up the IP version. Operates with IPv4 only (not valid with IPv6). Operates with both IPv4 and IPv6. Operates with IPv6 only (not valid with IPv4).
NETBEUI	ENABLE / DISABLE	Enables or disables this network protocol.
IP ADDRESS SET	AUTO / MANUAL	Specifies whether IP address allocation is automatic (DHCP) or manually assigned.
IP ADDRESS	xxx.xxx.xxx.x xx	Current assigned IP address. To change, press ENTER and use +/- keys to increment 1st octet, then press ENTER again to move on to next octet. When 4th octet has been set, press ENTER again to register new address.
SUBNET MASK	xxx.xxx.xxx.x xx	Current assigned subnet mask. To change, proceed as above.
GATEWAY ADDRESS	xxx.xxx.xxx.x xx	Current assigned gateway address. To change, proceed as above.
WEB	ENABLE / DISABLE	Enables or disables Web config. facility.
TELNET	ENABLE / DISABLE	Enables or disables Telnet config. facility.
FTP	ENABLE / DISABLE	Enables or disables communication via FTP.
SNMP	ENABLE / DISABLE	Enables or disables SNMP protocol.

ITEM	SETTINGS	EXPLANATION
NETWORK SCALE	NORMAL / SMALL	Selects network size. When NORMAL is selected, printer can work effectively, even when connected to a HUB that has a spanning tree feature. However, printer start up time gets longer when computers are connected with two or three small LANs. When SMALL is selected, computers can cover from two or three small LANs to a large LAN, but may not work effectively when connected to a HUB that has a spanning tree feature.
HUB LINK SETTING	AUTO NEGOTIATE 100BASE-TX FULL 100BASE-TX HALF 10BASE-T FULL 10BASE-T HALF	Sets full or half duplex for communication via a network hub. When AUTO is set, negotiation is done automatically.
FACTORY DEFAULTS	EXECUTE	Reloads the settings present when the unit was setup by the manufacturer.

MEMORY MENU

This menu sets the conditions of memory allocated to the buffer and resource.

Not displayed as default. This menu is displayed only when set to **ENABLE** in **OP MENU** of Administrator menu.

ITEM	SETTINGS	EXPLANATION
RECEIVE BUF SIZE	AUTO 0.5MB 1MB 2MB 4MB 8MB 16MB 32MB	Sets the size of the receive buffer
RESOURCE SAVE	AUTO OFF 0.5MB 1MB 2MB 4MB 8MB 16MB 32MB	Sets the size of the resource saving area.

SYS ADJUST MENU

Not displayed as default. This menu is displayed only when set to **ENABLE** in OP MENU of Administrator menu.

ITEM	SETTINGS	EXPLANATION
X ADJUST	+2.0mm ~ 0 ~ -2.0mm	Adjusts the position of a whole print image in the direction perpendicular to the direction the paper runs, that is horizontally, in 0.25 mm increments. Any parts of the print image that are outside the printable area as a result of this shift will be cropped.
Y ADJUST	+2.0mm ~ 0 ~ -2.0mm	Adjusts the position of a whole print image in the direction the paper runs, that is vertically, in 0.25 mm increments. Any parts of the print image that are outside the printable area as a result of this shift will be cropped. Corrections in a negative value are ignored in PS mode.
DRUM CLEANING	ON OFF	Sets whether to rotate the drum in idle prior to printing in order to reduce any horizontal white lines. CAUTION: Each additional rotation will shorten the ID life by that amount.
HEX DUMP	EXECUTE	Prints out data received from the host PC in hexadecimal Dump. Turning off the power supply switch restores Normal Mode from HEX Dump Mode.

MAINTENANCE MENU

This menu provides access to various printer maintenance functions.

ITEM	SETTINGS	EXPLANATION
MENU RESET	EXECUTE	Resets menus to default settings.
SAVE MENU	EXECUTE	Saves the current menu settings. The last menu executed is saved and the menu previously saved is overwritten and erased. When you press the ENTER button, the following confirmation message is displayed. "DO YOU WANT TO EXECUTE THIS FUNCTION?" YES/NO If you select NO, the display returns to the previous menu. If you select YES, the current menu settings are stored and the menu is exited.
RESTORE MENU	EXECUTE	Changes to the menu setting saved. When the Enter button is pressed, the following confirmation message appears. ARE YOU SURE? YES/NO If NO is selected, the previous menu display resumes. If YES is selected, changes made to the menu setting are saved and you exit from the menu. Notes: This cannot be executed when data is printing. This menu item will only show if the menu has been saved previously
POWER SAVE	ENABLE / DISABLE	Enables or disables automatic power save mode. Delay before entering this mode is set in the SYSTEM CONFIGURATION menu.
PAPER BLACK SET	-2~ 0 ~+2	Used for small adjustments when you experience faded print or light specks / streaking in monochrome printing on white paper. Select a higher value to reduce fading, or a lower value to reduce specks or streaking in high density print areas.

ITEM	SETTINGS	EXPLANATION
PAPER COLOR SET	-2~0~+2	As above, but for colour printing.
SMR SETTING	-2~0~+2	Sets a correction value for uneven print quality, to correct print variations caused by variations in temperature and humidity or in print density/frequency.
BG SETTING	-3~0~+3	Sets a correction value for dark-coloured paper printing, to correct print variations caused by variations in temperature and humidity or in print density/frequency.

USAGE MENU

This menu is for information only, and provides an indication of total usage of the printer and the expected life left in its consumable items. This is particularly useful if you do not have a full set of replacement consumables to hand and you need to know how soon you will need them.

ITEM	EXPLANATION
TRAY PAGE COUNT	Displays the total number of pages printed (excluding any pages that have jammed).
MF PAGE COUNT	The total number of pages fed from the multi purpose tray.
K DRUM LIFE REMAINING C DRUM LIFE REMAINING M DRUM LIFE REMAINING Y DRUM LIFE REMAINING	Percentage of life remaining in these consumable items.
BELT LIFE REMAINING	Percentage of belt life remaining.
FUSER LIFE REMAINING	Percentage of fuser life remaining.
K TONER (n.nK) C TONER (n.nK) M TONER (n.nK) Y TONER (n.nK)	Cartridge size and current toner level.

PRINT STATISTICS MENU

ITEM	SETTING	EXPLANATION
ENTER PASSWORD	nnnn	Enters a password to enter Print Statistics menu. The default password is "0000."
USAGE REPORT	ENABLE /DISABLE	Prints a list of jobs carried out on this printer.
RESET COUNTER	EXECUTE	Zeros the counter
GROUP COUNTER	ENABLE/ DISABLE	Sets Group Counter to display/not display
CHANGE PASSWORD	Enables change of the Password	
NEW PASSWORD	****	Sets a new password
VERIFY PASSWORD	****	Verifies the change

ADMINISTRATOR MENU

This menu is only accessible to System Administrators. In order to gain access to this menu, hold down the **ENTER** button whilst turning the printer **ON**.

This menu is in **ENGLISH** only.

ITEM		SETTINGS	EXPLANATION
ENTER PASSWORD		xxxxxxxxxxx	Enter a password to gain entry to the Admin menu. Password should be from 6 to 12 digits of alpha/numeric characters (or mix) The default value is "aaaaaa"
OP MENU/	ALL CATEGORY	ENABLE DISABLE	Set up ENABLE/DISABLE condition for all categories in USERS MENU. If DISABLE is selected, USERS MENU, except PRINTJOB MENU, will not appear.
	PRINT JOBS MENU	ENABLE DISABLE	Set up ENABLE/DISABLE condition for PRINT JOB MENU category. If DISABLE is selected, PRINT JOB MENU category of USERS MENU will not appear.
	INFORMATION MENU	ENABLE DISABLE	Set up ENABLE/DISABLE condition for INFORMATION MENU category. If DISABLE is selected, INFORMATION MENU category of USERS MENU will not appear.
	SHUTDOWN MENU	ENABLE DISABLE	Set up ENABLE/DISABLE condition for SHUTDOWN MENU category. If DISABLE is selected, SHUTDOWN MENU category of USERS MENU will not appear.
	PRINT MENU	ENABLE DISABLE	Set up ENABLE/DISABLE condition for PRINT MENU category. If DISABLE is selected, PRINT MENU category of USERS MENU will not appear.
	MEDIA MENU	ENABLE DISABLE	Set up ENABLE/DISABLE condition for MEDIA MENU category. If DISABLE is selected, MEDIA MENU category of USERS MENU will not appear.
	COLOR MENU	ENABLE DISABLE	Set up ENABLE/DISABLE condition for COLOR MENU category. If DISABLE is selected, COLOR MENU category of USERS MENU will not appear.
	SYS CONFIG MENU	ENABLE DISABLE	Set up ENABLE/DISABLE condition for SYS.CONFIG MENU category. If DISABLE is selected, SYS.CONFIG MENU category of USERS MENU will not appear.
	PCL EMULATION	ENABLE DISABLE	Set up ENABLE/DISABLE condition for PCL EMULATION category. If DISABLE is selected, PCL EMULATION category of USERS MENU will not appear.
	PPR EMULATION	ENABLE DISABLE	Set up ENABLE/DISABLE condition for PPR EMULATION category. If DISABLE is selected, PPR EMULATION category of USERS MENU will not appear.

ITEM		SETTINGS	EXPLANATION
OP MENU (cont.)	FX EMULATION	ENABLE DISABLE	Set up ENABLE/DISABLE condition for FX EMULATION category. If DISABLE is selected, FX EMULATION category of USERS MENU will not appear.
	USB MENU	ENABLE DISABLE	Set up ENABLE/DISABLE condition for USB MENU category. If DISABLE is selected, USB MENU category of USERS MENU will not appear.
	NETWORK MENU	ENABLE DISABLE	Set up ENABLE/DISABLE condition for NETWORK MENU category. If DISABLE is selected, NETWORK MENU category of USERS MENU will not appear.
	MEMORY MENU	ENABLE DISABLE	Set up ENABLE/DISABLE condition for MEMORY MENU category. If DISABLE is selected, MEMORY MENU category of USERS MENU will not appear.
	SYS ADJUST MENU	ENABLE DISABLE	Set up ENABLE/DISABLE condition for SYS.ADJUST MENU category. If DISABLE is selected, SYS.ADJUST MENU category of USERS MENU will not appear.
	MAINTENANCE MENU	ENABLE DISABLE	Set up ENABLE/DISABLE condition for MAINTENACE MENU category. If DISABLE is selected, MAINTENANCE MENU category of USERS MENU will not appear.
	USAGE MENU	ENABLE DISABLE	Set up ENABLE/DISABLE condition for USAGE MENU category. If DISABLE is selected, USAGE MENU category of USERS MENU will not appear.
	PRINT STATISTICS MENU	ENABLE DISABLE	Set up ENABLE/DISABLE condition for PRINT STATISTICS category. If DISABLE is selected, PRINT STATISTICS category of USERS MENU will not appear.
CONFIG. MENU/	NEARLIFE LED	ENABLE DISABLE	Enables/disables illumination of front panel LED when "near-end-of-life" warning of a toner, drum, fuser, or belt occurs. Attention LED is lit when setting is enabled, inhibited when disabled.
FILE SYS MAINT1/	FLASH INITIALIZE	EXECUTE	Initialises the resident FLASH MEMORY. If NO is selected, the machine will go back to the source menu. If YES is selected, the machine will be automatically rebooted and initialize the FLASH memory.
FILE SYS MAINT2/	INITIAL LOCK	YES NO	If "YES" is selected, you will not be able to select "ADMIN MENU" - "FILE SYS MAINT1" (above).
LANGUAGE MENU	LANG INITIALIZE	EXECUTE	Initialise the message file loaded in FLASH MEMORY. If NO is selected, the machine will go back to the source menu. The procedure for clearing the disk will start immediately after the menu and machine reboot.

ITEM		SETTINGS	EXPLANATION
PS MENU	LI TRAY	TYPE1 TYPE2	Switches between Postscript types
SIDM MENU	SIDM MANUAL ID#	0 ~ 2 ~ 9	Set up Pn specified in MANUAL by MANUAL-1 ID No.FX/PPR Emu in CSFcontrol command (ESC EM Pn).
	SIDM MANUAL2 ID	0 ~ 3 ~ 9	Set up Pn specified MANUAL by MANUAL-2 ID No.FX/PPR Emu in CSF control command (ESC EM Pn).
	SIDM TRAY	0 ~ 1 ~ 9	Set up Pn specified TRAY (MP Tray) by MP Tray ID No.FX/PPR Emu in CSF control command (ESC EM Pn).
CHANGE PASSWORD	NEW PASSWORD	xxxxxxxxxxxx	Set a new password for entering the administrator's menu. Password should be from 6 to 12 digits of alpha/numeric characters (or mix) The default value is "aaaaaa" The printer will restart after the ADMIN MENU.
CHANGE PASSWORD	VERIFY PASSWORD	xxxxxxxxxxxx	Verification of above.

REPLACING CONSUMABLE ITEMS

This section explains how to replace consumable items when due. As a guide, the life expectancy of these items is:

TONER:

STARTER CARTRIDGES:

The machine is shipped with sufficient Black, Cyan, Magenta & Yellow toner for 1,000 A4 pages, of which 500 A4 pages of toner are used to initially charge the image drum (500 A4 pages remaining at 5% coverage).

REPLACEMENT CARTRIDGES:

Replacement cartridges are available in Standard capacity (1,500 A4 pages @ 5% coverage) and High capacity (2,500 A4 pages @5% coverage).

NOTE

Toner life is directly affected by coverage, e.g. at 10% coverage there is sufficient toner for 750 A4 pages (standard capacity) or 1,250 A4 pages (high capacity).

IMAGE DRUM:

Approximately 15,000 pages (calculated on typical office usage where 20% of printing is 1 page only, 30% is 3 page documents and 50% is print runs of 15 pages or more).

TRANSFER BELT:

Approximately 50,000 A4 pages (calculated on typical office usage where 20% of printing is 1 page only, 30% is 3 page documents and 50% is print runs of 15 pages or more).

FUSER:

Approximately 50,000 A4 pages.

CONSUMABLE ORDER DETAILS

ITEM	LIFE	ORDER NO.
Toner, Standard Capacity, black	1,500 A4 @ 5%	43459436
Toner, Standard Capacity, cyan	1,500 A4 @ 5%	43459435
Toner, Standard Capacity, magenta	1,500 A4 @ 5%	43459434
Toner, Standard Capacity, yellow	1,500 A4 @ 5%	43459433
Toner, High Capacity, black	2,500 A4 @ 5%	43459332
Toner, High Capacity, cyan	2,500 A4 @ 5%	43459331
Toner, High Capacity, magenta	2,500 A4 @ 5%	43459330
Toner, High Capacity, yellow	2,500 A4 @ 5%	43459329
Image drum kit, black,	15,000 A4 pages*	43460208
Image drum kit, cyan	15,000 A4 pages*	43460207
Image drum kit, magenta	15,000 A4 pages*	43460206
Image drum kit, yellow	15,000 A4 pages*	43460205
Fuser	50,000 A4 paper	43377003
Transport belt	50,000 A4 @ 3/job	43378002

* Average life: 20% pages at continuous print, 50% pages at 3 pages per job and 30% pages at 1 page per job.

For the protection of your product, and in order to ensure that you benefit from its full functionality, this model has been designed to operate only with genuine original toner cartridges. Any other toner cartridge may not operate at all, even if it is described as "compatible", and if it does work, your product's performance and print quality may be degraded.

TONER CARTRIDGE REPLACEMENT

NOTE

When the LCD display indicates TONER LOW, or if print appears faded, first open the top cover and try tapping the cartridge a few times to evenly distribute the toner powder. This will enable you to obtain the best "yield" from your toner cartridge.

CAUTION!

To avoid toner wastage and possible toner sensor errors, do not change the toner cartridge(s) until "TONER EMPTY" is displayed.

The toner used in this printer is a very fine dry powder. It is contained in four cartridges: one each for cyan, magenta, yellow and black.

Have a sheet of paper handy so that you have somewhere to place the used cartridge while you install the new one.

Dispose of the old cartridge responsibly, inside the pack that the new one came in. Follow any regulations, recommendations, etc., which may be in force concerning waste recycling.

If you do spill any toner powder, lightly brush it off. If this is not enough, use a cool, damp cloth to remove any residue.

Do not use hot water, and never use solvents of any kind. They will make stains permanent.

WARNING!

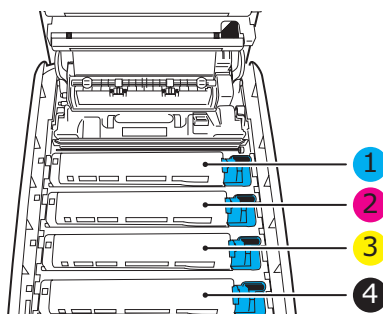
If you inhale any toner or get it in your eyes, drink a little water or bathe your eyes liberally in cold water. Seek medical attention immediately.

1. Press the cover release and open the printer's top cover fully.

WARNING!

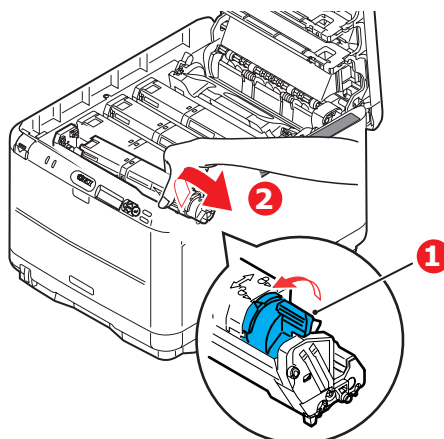
If the printer has been powered on, the fuser may be hot. This area is clearly labelled. Do not touch.

2. Note the positions of the four cartridges.



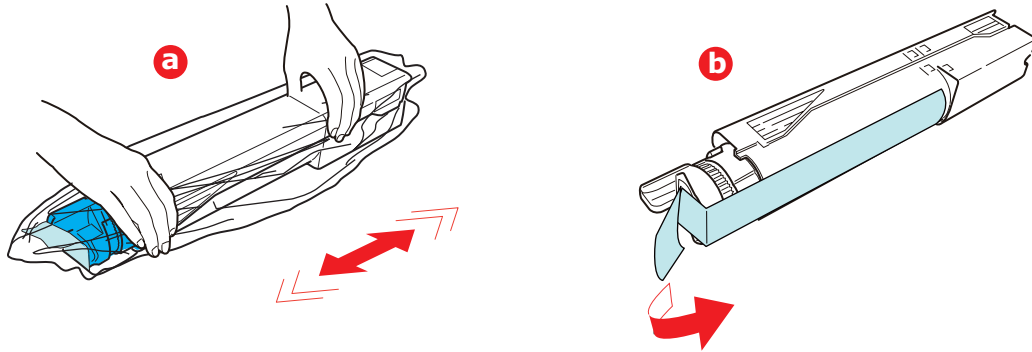
1. Cyan cartridge	2. Magenta cartridge
3. Yellow cartridge	4. Black cartridge

- (a) Pull the coloured toner release lever (1) on the cartridge to be replaced fully towards the front of the printer.

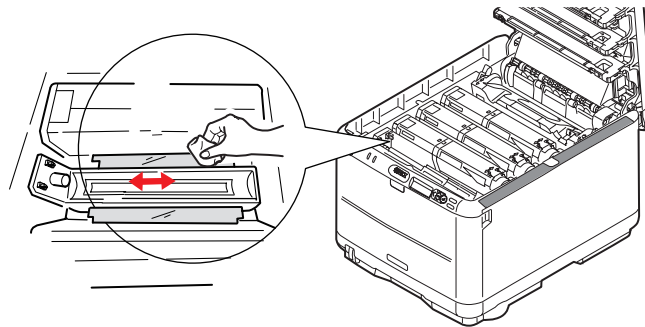


3. Lift the right-hand end of the cartridge and then draw the cartridge to the right to release the left-hand end as shown, and withdraw the toner cartridge out of the printer (2).
4. Put the cartridge down gently onto a piece of paper to prevent toner from marking your furniture.

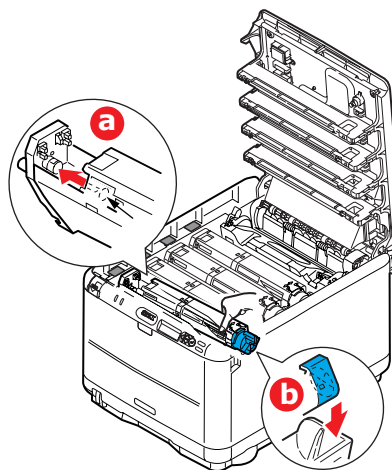
5. Remove the new cartridge from its box but leave its wrapping material in place for the moment.
 - (a) Gently shake the new cartridge from end to end several times to loosen and distribute the toner evenly inside the cartridge.
 - (b) Remove the wrapping material and peel off the adhesive tape from the underside of the cartridge.



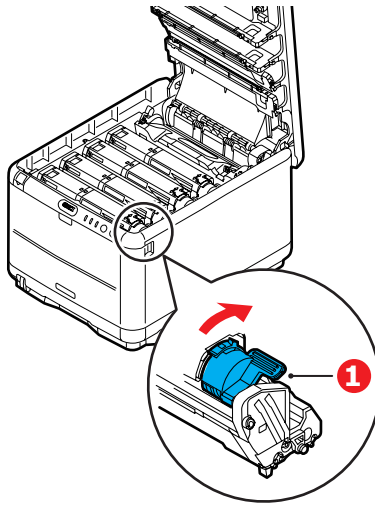
6. Clean the top surface of the image drum



7. Insert the left end of the cartridge into the top of the image drum unit
 - (a) first, pushing it against the spring on the drum unit,
 - (b) then lower the right end of the cartridge down on to the image drum unit.



8. Press gently down on the cartridge to ensure that it is firmly seated, push the coloured lever (1) towards the rear of the printer. This will lock the cartridge into place and release toner into the image drum unit.



9. Finally, close the top cover and press down firmly at both sides so that the cover latches.

IMAGE DRUM REPLACEMENT.

CAUTION!

Static sensitive devices, handle with care.

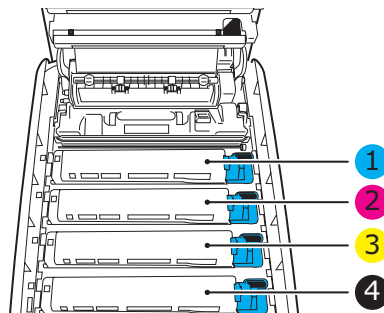
The printer contains four image drums: cyan, magenta, yellow and black.

1. Press the cover release and open the printer's top cover fully.

WARNING!

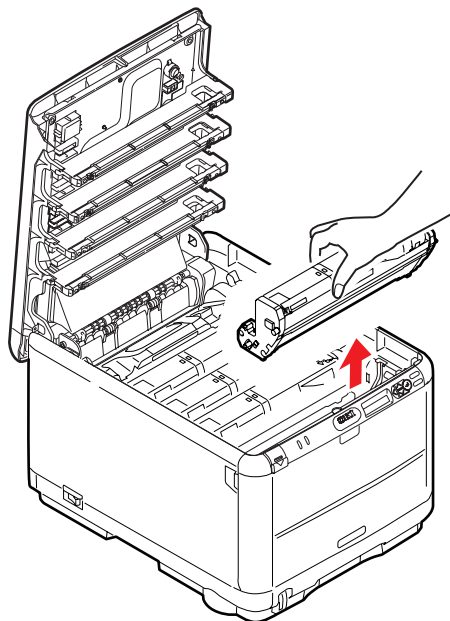
If the printer has been powered on, the fuser will be hot. This area is clearly labelled. Do not touch.

2. Note the positions of the four cartridges.



1. Cyan cartridge	2. Magenta cartridge
3. Yellow cartridge	4. Black cartridge

3. Holding it by its top centre, lift the image drum, complete with its toner cartridge, up and out of the printer.

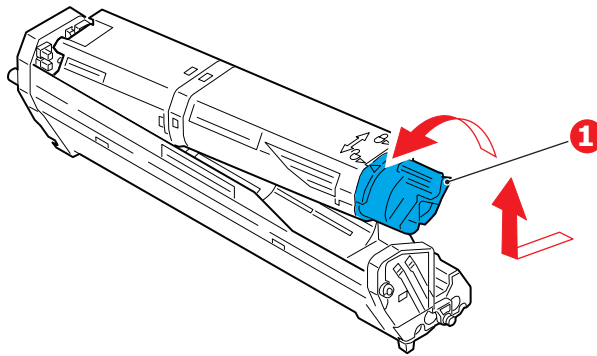


- Put the assembly down gently on to a piece of paper to avoid damaging the green drum surface.

CAUTION!

The green image drum surface at the base of the cartridge is very delicate and light sensitive. Do not touch it and do not expose it to normal room light for more than 5 minutes. If the drum unit needs to be out of the printer for longer than this, please wrap the cartridge inside a black plastic bag to keep it away from light. Never expose the drum to direct sunlight or very bright room lighting.

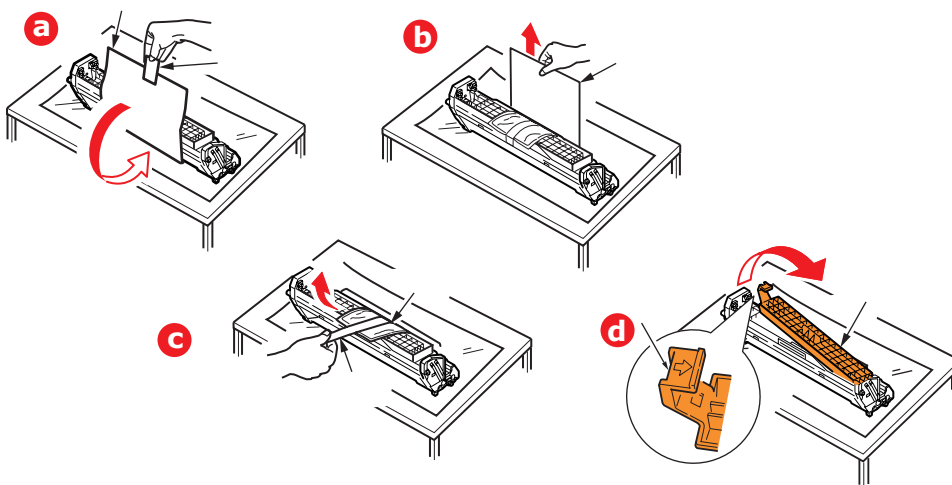
- With the coloured toner release lever (1) to the right, pull the lever towards you. This will release the bond between the toner cartridge and the image drum cartridge.



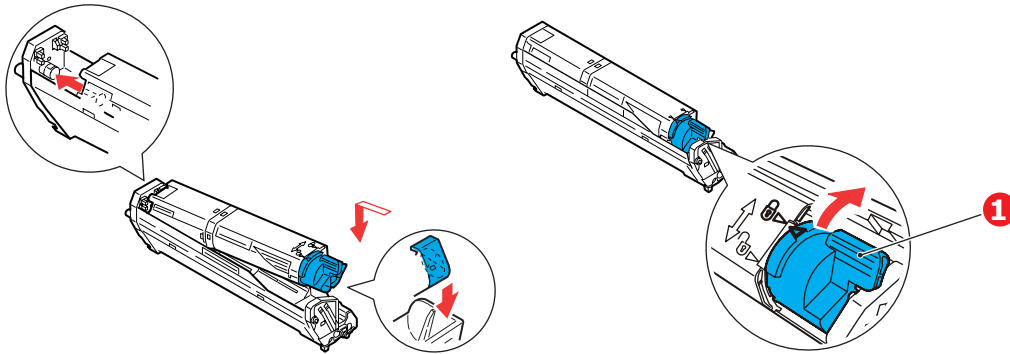
Lift the right-hand end of the cartridge and then draw the cartridge to the right to release the left-hand end as shown, and withdraw the toner cartridge out of the image drum cartridge. Place the cartridge on a piece of paper to avoid marking your furniture.

- Take the new image drum cartridge out of its packaging and place it on the piece of paper where the old cartridge was placed. Keep it the same way round as the old unit. Pack the old cartridge inside the packaging material for disposal.
- Remove the protective sheets from the image drum unit (a), (b) & (c). Pack the old ID unit inside the packaging material for disposal.

Remove transit packing (d).

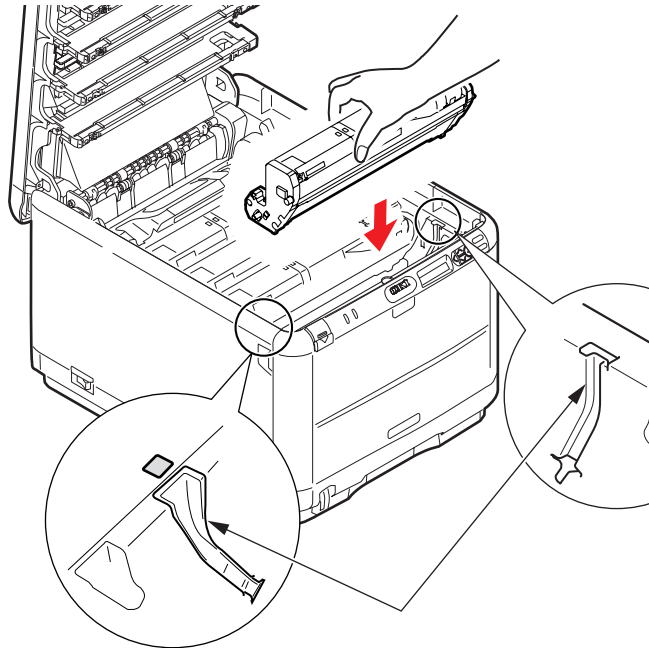


- 8.** Place the toner cartridge onto the new image drum cartridge as shown. Push the left end in first, and then lower the right end in. (It is not necessary to fit a new toner cartridge at this time unless the remaining toner level is very low.)



Push the coloured release lever (1) away from you to lock the toner cartridge onto the new image drum unit and release toner into it.

- 9.** Holding the complete assembly by its top centre, lower it into place in the printer, locating the pegs at each end into their slots in the sides of the printer cavity.



- 10.** Finally, close the top cover.

NOTE

If you need to return or transport your printer for any reason, please make sure you remove the image drum unit beforehand and place in the bag provided. This is to avoid toner spillage.

REPLACING THE BELT UNIT

The belt unit is located under the four image drums. This unit requires replacement approximately every 60,000 pages.

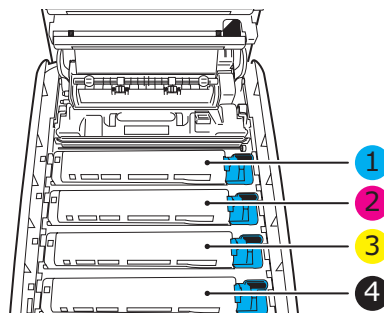
Switch off the printer and allow the fuser to cool for about 10 minutes before opening the cover.

1. Press the cover release and open the printer's top cover fully.

WARNING!

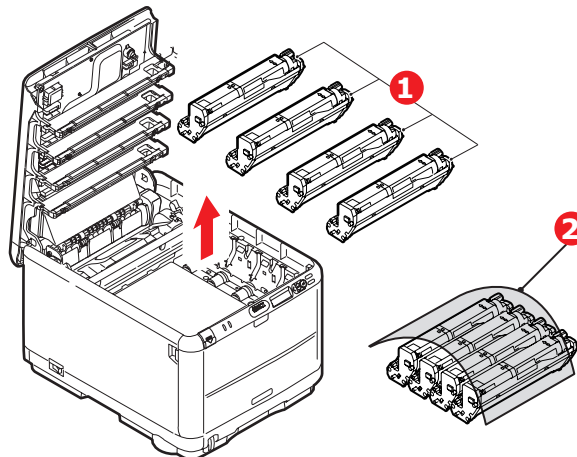
If the printer has been powered on, the fuser will be hot. This area is clearly labelled. Do not touch.

2. Note the positions of the four cartridges. It is essential that they go back in the same order



1. Cyan cartridge	2. Magenta cartridge
3. Yellow cartridge	4. Black cartridge

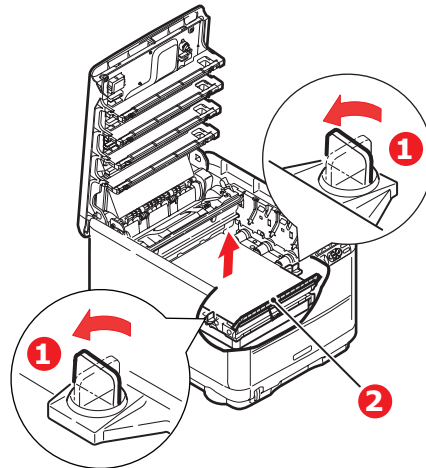
3. Lift each of the image drum units out of the printer (1) and place them in a safe place away from direct sources of heat and light (2).



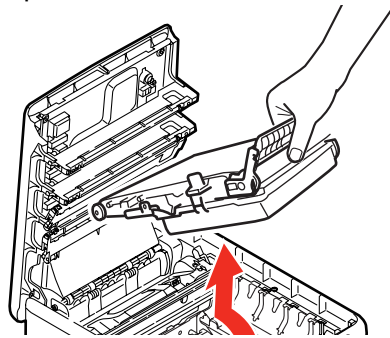
CAUTION!

The green image drum surface at the base of each cartridge is very delicate and light sensitive. Do not touch it and do not expose it to normal room light for more than 5 minutes. If the drum unit needs to be out of the printer for longer than this, please wrap the cartridge inside a black plastic bag to keep it away from light. Never expose the drum to direct sunlight or very bright room lighting.

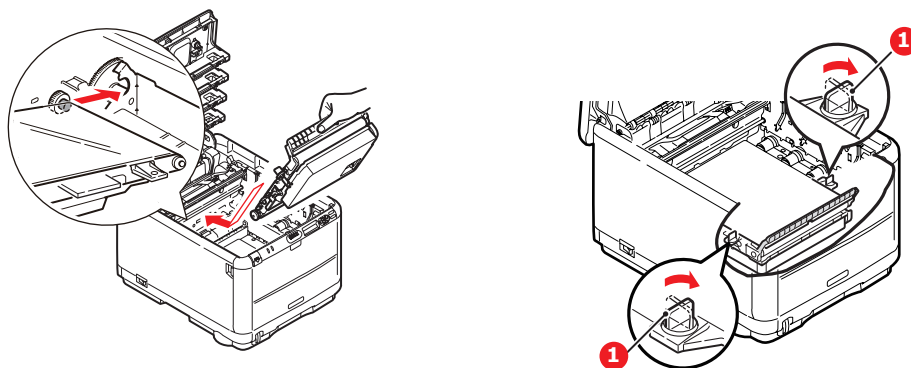
4. Locate the two fasteners (1) at each side of the belt and the lifting bar (2) at the front end.



5. Turn the two fasteners 90° to the left. This will release the belt from the printer chassis.
6. Pull the lifting bar (2) upwards so that belt tilts up towards the front, and withdraw the belt unit from the printer.



7. Lower the new belt unit into place, with the lifting bar at the front and the drive gear towards the rear of the printer. Locate the drive gear into the gear inside the printer by the rear left corner of the unit, and lower the belt unit flat inside the printer.



Turn the two fasteners (1) 90° to the right until they lock. This will secure the belt unit in place.

8. Replace the four image drums, complete with their toner cartridges, into the printer in the same sequence as they came out: cyan (nearest the rear), magenta, yellow and black (nearest the front).
9. Finally, close the top cover and press down firmly at both sides so that the cover latches closed.

FUSER REPLACEMENT

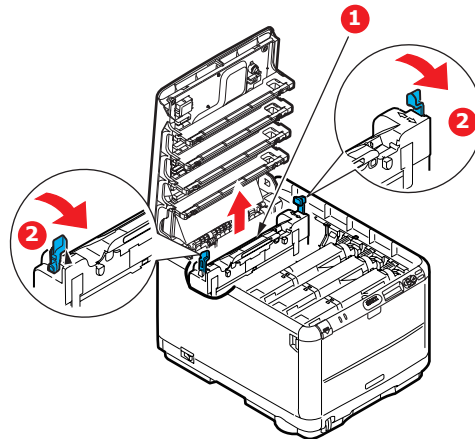
The fuser is located inside the printer just behind the four image drum units.

WARNING!

If the printer has recently been powered on, some fuser components will be very hot. Handle the fuser with extreme care, holding it only by its handle, which will only be mildly warm to the touch. A warning label clearly indicates the area. If in doubt, switch the printer off and wait at least 10 minutes for the fuser to cool before opening the printer cover.

Switch off the printer and allow the fuser to cool for about 10 minutes before opening the cover.

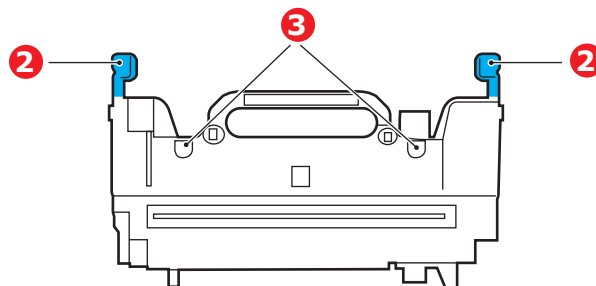
1. Press the cover release and open the printer's top cover fully.
2. Identify the fuser handle (1) on the top of the fuser unit.



Pull the two fuser retaining levers (2) towards the front of the printer so that they are fully upright.

Holding the fuser by its handle (1), lift the fuser straight up and out of the printer. If the fuser is still warm, place it on a flat surface which will not be damaged by heat.

3. Remove the new fuser from its packaging and remove the transit material.
4. Holding the new fuser by its handle, make sure that it is the correct way round. The retaining levers (2) should be fully upright, and the two locating lugs (3) should be towards you.

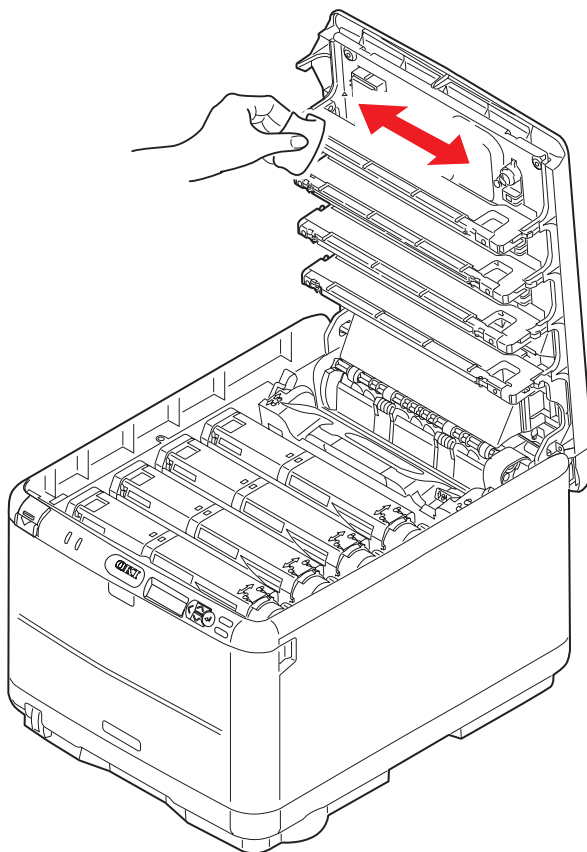


5. Lower the fuser into the printer, locating the two lugs (3) into their slots in the metal partition which separates the fuser area from the image drums.
6. Push the two retaining levers (2) towards the rear of the printer to lock the fuser in place.
7. Finally, close the top cover.

CLEANING THE LED HEAD

Clean the LED head when printing does not come out clearly, has white lines or when text is blurred.

1. Switch off the printer and open the top cover.
2. Gently wipe the LED head surface with LED lens cleaner or soft tissue.



CAUTION!

Do not use methyl alcohol or other solvents on the LED head as damage to the lens surface will occur.

3. Close the top cover.

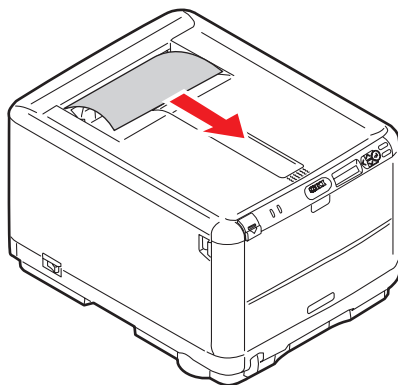
TROUBLESHOOTING

CLEARING PAPER JAMS

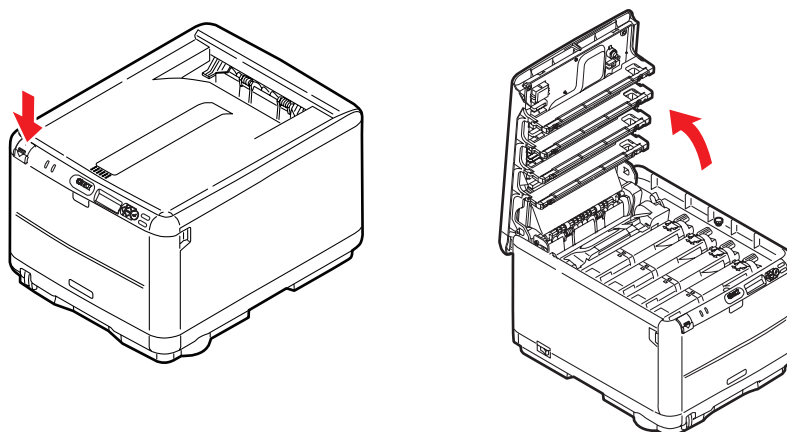
Provided that you follow the recommendations in this guide on use of print media, and you keep the media in good condition prior to use, your printer should give years of reliable service. However, paper jams occasionally do occur, and this section explains how to clear them quickly and simply.

Jams can occur due to paper misfeeding from a paper tray or at any point on the paper path through the printer. When a jam occurs, the printer immediately stops, and the Alert LED on the Status Panel (together with the Status Monitor) informs you of the event. If printing multiple pages (or copies), do not assume that, having cleared an obvious sheet, others will not also be stopped somewhere along the path. These must also be removed in order to clear the jam fully and restore normal operation.

1. If a sheet is well advanced out of the top of the printer, simply grip it and pull gently to draw it fully out. If it does not remove easily, do not use excessive force. It can be removed from the rear later.



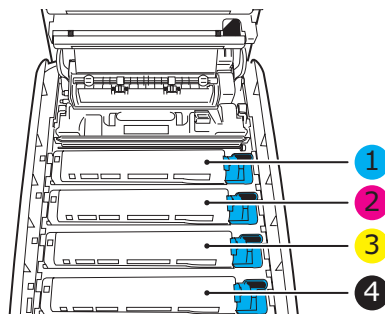
2. Press the cover release and open the printer's top cover fully.



WARNING!

If the printer has been powered on, the fuser will be hot. This area is clearly labelled. Do not touch.

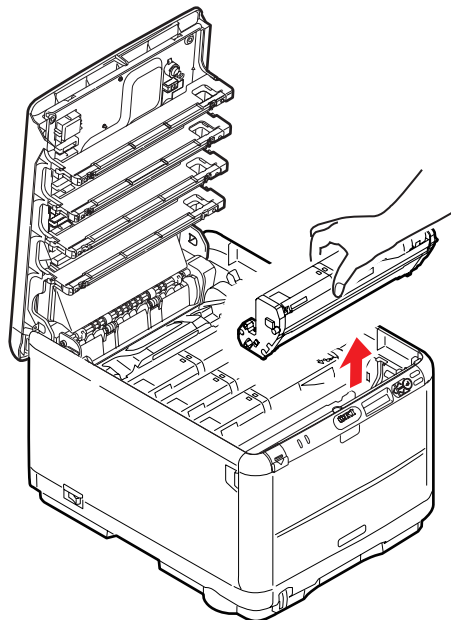
3. Note the positions of the 4 cartridges.



1. Cyan cartridge	2. Magenta cartridge
3. Yellow cartridge	4. Black cartridge

It will be necessary to remove the four image drums to gain access to the paper path.

4. Holding it by its top centre, lift the cyan image drum, complete with its toner cartridge, up and out of the printer.

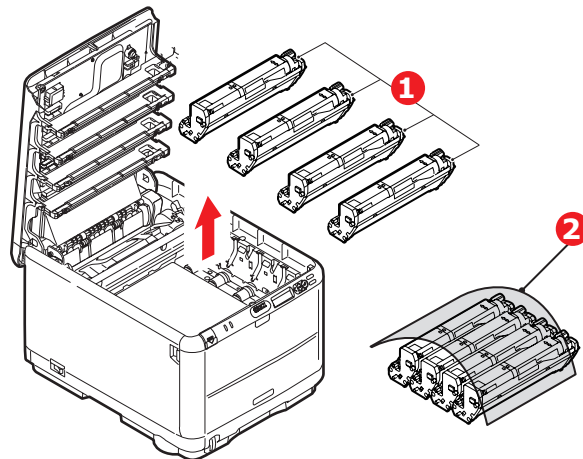


5. Put the assembly down gently onto a piece of paper to avoid damaging the green drum surface.

CAUTION!

The green image drum surface at the base of the cartridge is very delicate and light sensitive. Do not touch it and do not expose it to normal room light for more than 5 minutes. If the drum unit needs to be out of the printer for longer than this, please wrap the cartridge inside a black plastic bag to keep it away from light. Never expose the drum to direct sunlight or very bright room lighting.

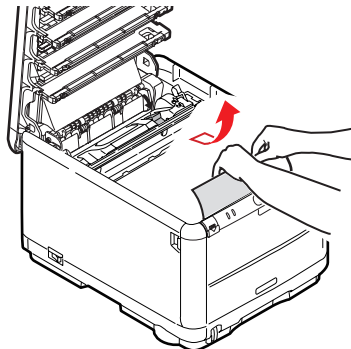
6. Repeat this removal procedure for each of the remaining image drum units. Cover the image drum units to protect them from direct light.



7. Look into the printer to check whether any sheets of paper are visible on any part of the belt unit.

8. Remove any sheets of paper as follows:

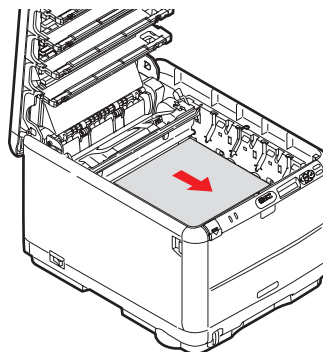
- > To remove a sheet with its leading edge at the front of the belt, carefully lift the sheet from the belt and pull it forwards into the internal drum cavity and withdraw the sheet.



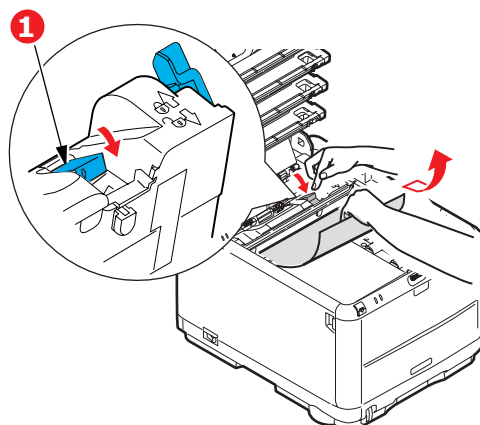
CAUTION!

Do not use any sharp or abrasive objects to separate sheets from the belt. This may damage the belt surface.

- > To remove a sheet from the central area of the belt, carefully separate the sheet from the belt surface and withdraw the sheet.



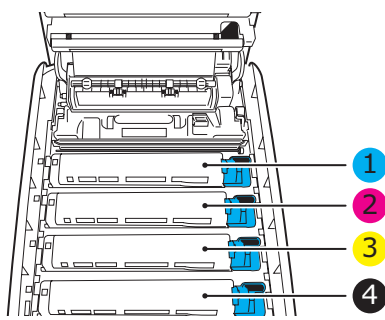
- > To remove a sheet just entering the fuser, separate the trailing edge of the sheet from the belt, push the fuser pressure release lever (1) towards the front and down to release the fuser's grip on the sheet, and withdraw the sheet through the drum cavity area. Then allow the pressure release lever to rise again.



NOTE

If the sheet is well advanced into the fuser (only a short length is still visible), do not attempt to pull it back. Follow the next step to remove it from the rear of the printer.

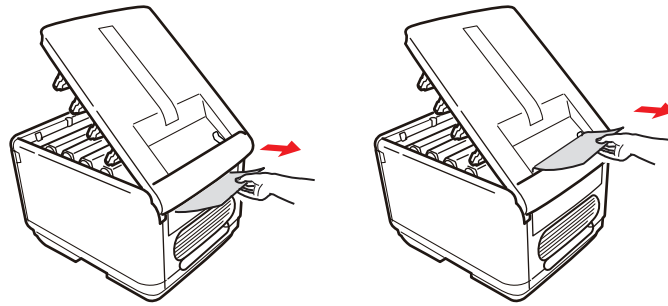
- Starting with the cyan image drum unit nearest the fuser, replace the four image drums into the drum cavity, making sure to locate them in the correct order.



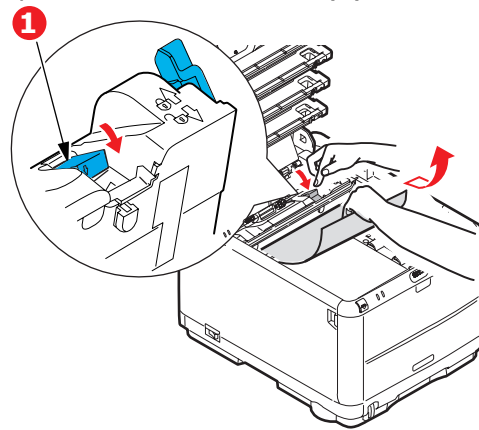
1. Cyan cartridge	2. Magenta cartridge
3. Yellow cartridge	4. Black cartridge

- > Holding the complete assembly by its top centre, lower it into place in the printer, locating the pegs at each end into their slots in the sides of the printer cavity.
- Lower the top cover but do not press down to latch it closed yet. This will protect the drums from excessive exposure to room lighting while you check the remaining areas for jammed sheets.

11. Open the rear stacker and check for a sheet of paper in the rear path area.

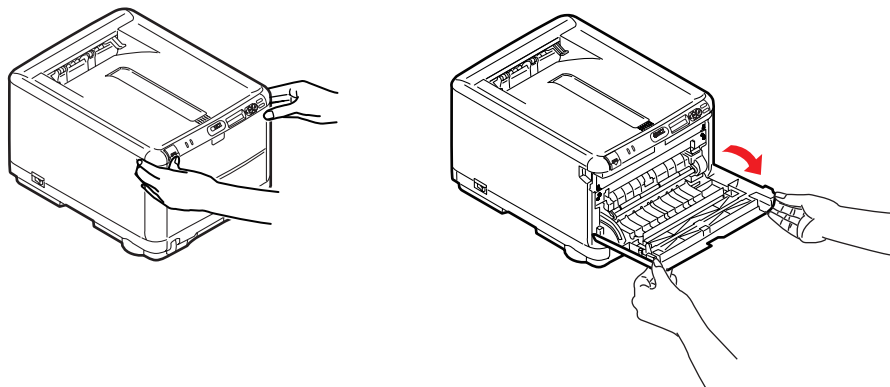


- > Pull out any sheets found in this area.
- > If the sheet is low down in this area and difficult to remove, it is probably still gripped by the fuser. In this case raise the top cover, reach around and press down on the fuser pressure release lever (1).

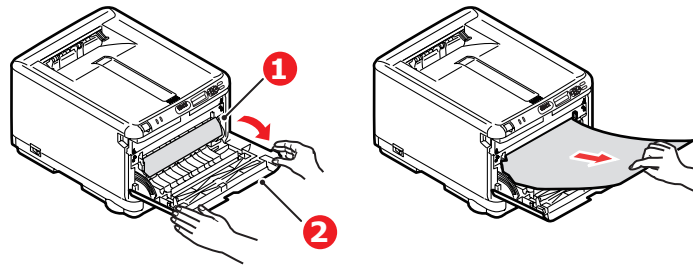


12. If you are not using the rear stacker, close it once paper has been removed from this area.

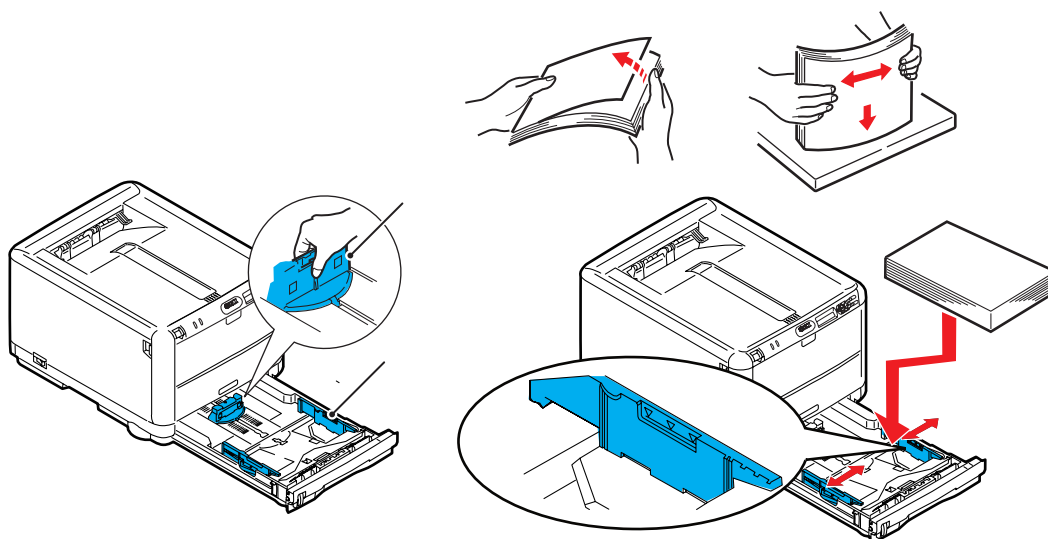
13. Press the front cover release and pull open the front cover.



- 14.** Check inside the cover for sheets in this area and remove any that you find, then close the cover.



- 15.** Pull out the Cassette Tray and ensure that all paper is stacked properly, is undamaged, and that the paper guides are properly positioned against the edges of the paper stack. When satisfied, replace the tray.



- 16.** Finally, close the top cover and press down firmly at both sides so that the cover latches closed.

When the jam has been cleared, if Jam Recovery is set to ON in the System Configuration Menu, the printer will attempt to reprint any pages lost due to paper jams.

INSTALLING ADDITIONAL MEMORY

This section explains how to install additional RAM memory into your printer as a memory upgrade.

ORDER CODES

Use the following order codes for additional memory:

- > 256MB RAM – 01182901
- > 512MB RAM – 01182902

MEMORY UPGRADE

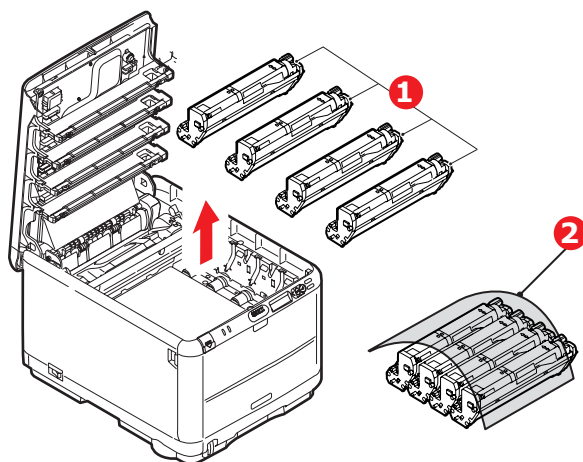
The basic printer model comes equipped with 128MB of main memory. This can be upgraded with an additional memory board containing 256MB or 512MB, giving a maximum total memory capacity of 640MB.

1. Switch the printer off and disconnect the AC power cable.
2. Press the cover release and open the printer's top cover fully.

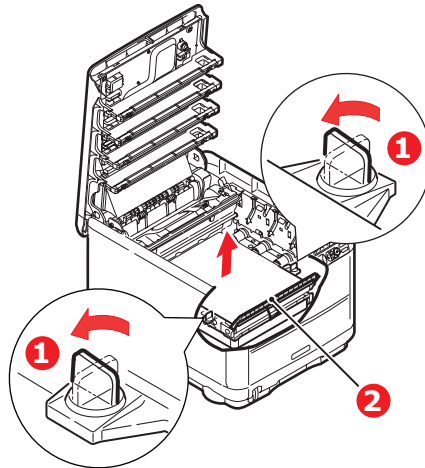
WARNING!

If the printer has been powered on recently, the fuser will be hot. This area is clearly labelled. Do not touch.

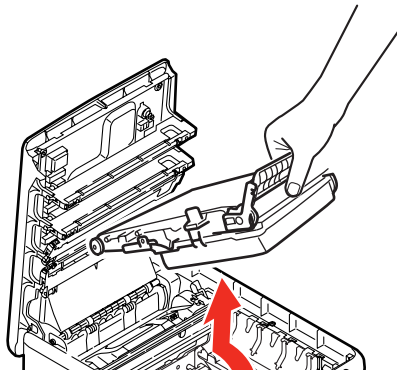
3. Remove each image drum unit, starting with the front. Cover the image drum units to protect them from direct light



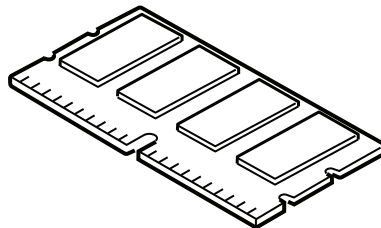
4. Locate the two fasteners (1) at each side of the belt (3) and the lifting bar (2) at the front end.



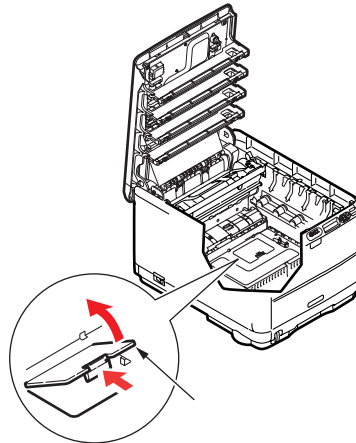
5. Unlock the fasteners and remove the belt as shown.



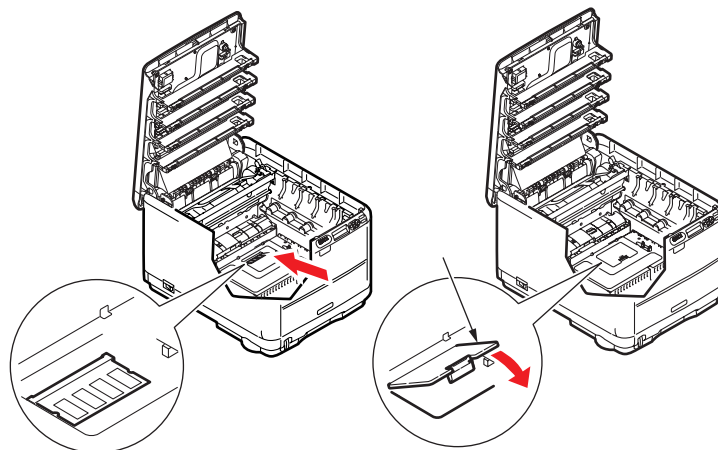
6. Carefully remove the new memory board from its wrapping. Try to handle the board only by its short edges, avoiding contact with any metal parts as far as possible. In particular, avoid touching the edge connector.
7. Notice that the memory board has a small cutout in the edge connector, which is closer to one end than the other.



- 8.** Identify the RAM expansion slot in the printer. Unclip the plastic cover to open this slot.



- 9.** If the RAM expansion slot already contains a memory upgrade board, that board will have to be removed before you can install the new one. To remove it proceed as follows, otherwise skip to step 10.
- (a) Identify the locking clips at each end of the RAM expansion slot.
 - (b) Push the clips outward and back into the printer. The board will pop out slightly.
 - (c) Grip the board firmly by its short edges and pull it out of the slot.
 - (d) Place the removed memory board in the antistatic bag which originally contained the new memory board.
- 10.** Hold the new memory board by its short edges, so that the edge connector faces in towards the RAM expansion slot, and the small cutout is closer to the bottom of the printer.
- 11.** Gently push the board into the RAM expansion slot until it latches in and will not go any further.



- 12.** Close the RAM expansion cover.
- 13.** Replace the belt and image drum units as described in ["Replacing consumable items" on page 36](#).
- 14.** Close the top cover of the printer.
- 15.** Reconnect the AC power cable and switch the printer on.



- 16.** When the printer is ready, print a menu map (see ["Information menu" on page 21](#)).
- 17.** Examine the first page of the menu map.

Near the top of the page, between the two horizontal lines, you will see the current printer configuration. This list contains the figure for total memory size.

This should indicate the total memory now installed, which should be the size of memory board you have installed plus 128MB.

SPECIFICATIONS

C3600 - N34116B

ITEM	SPECIFICATION
Dimensions	376 x 479 x 290mm (W x D x H)
Weight	21Kg approx.
Print method	LED exposed light source electronic photographic method
Print speeds	16 pages per minute colour / 20 pages per minute monochrome
Resolution	600 x 600, 600 x 1200dpi or 600 x 600dpi x 2bit
Emulations	PostScript 3 PCL 5c, HP-GL, PCL XL, PCL 6e Epson FX IBM Pro Printer III XL
Auto Features	Auto registration Auto density adjustment Auto consumable counter reset
Memory	128MB standard 256 MB and 512MB options
Operating platform	Windows 2000/XP/XP Pro x64 bit Edition*/NT4.0 /Server 2003/Server 2003 x64 bit Edition*, Vista 32 & 64 bit. * x86-64 processors only. Itanium is not supported. Mac OS X (10.2.8 - 10.5 on PPC; 10.4.4 - 10.5 on Intel)
Paper capacity at 80g/m ²	200 sheets in main tray 1 sheet in the MPT (or 1 envelope)
Paper weight	64 ~ 120g/m ² in main tray 75 ~ 203g/m ² in multi purpose tray
Paper output	150 sheets in face down (top) stacker @ 64 - 120g/m ² 1 sheet in face up (rear) stacker @ 64 - 203g/m ²
Paper feed ^a	Paper tray, manual feed
Media size	A4, A5, A6, B5, Legal 13/13.5/14 inch, letter, Executive.
Media size - MP tray	A4, A5, A6, B5, Legal 13/13.5/14 inch, letter, Executive, custom (up to 1200mm length), com-9 envelope, com-10 envelope, monarch envelope, DL envelope, C5 envelope
Media type	Plain, Bond, Card stock, Rough, Labels
Print accuracy	Start: ±2 mm Paper skew: ±1 mm/100 mm Image expansion/compression: ±1 mm/100 mm
Interfaces Universal Serial Bus (USB)  Network 	USB specification Version 2.0 Connection: USB type B Cable: USB specification version 2.0 (shielded) Transmission mode: Hi speed (480Mbps + 0.25% maximum) 10 Base T, 100 Base TX
Printer life (min.)	300,000 pages or 5 years

ITEM	SPECIFICATION									
Duty cycle	35,000 pages per month max., 5,000 pages per month average									
Toner life	<p>Starter: C, M, Y & K: 1,000 pages at 5% coverage (500 pages to charge image drum, 500 pages usable)</p> <p>Replacement: Standard CMY&K: 1,500 pages at 5% coverage</p> <p>High capacity CMY&K: 2,500 pages at 5% coverage</p>									
Image drum life	15,000 pages at 3 pages per job									
Belt life	50,000 A4 pages at 3 pages per job									
Fuser life	50,000 A4 pages									
Power supply	220 to 240VAC @ 50/60 Hz ± 1 Hz									
Power consumption	Operating: 980 max.; 400 W av. (25°C) Stand-by: 100W max.; 150W av. (25°C) Power saving: <14W									
Operating environment	Operating 10 to 32 °C/20 to 80% RH (optimum 25 °C wet, 2 °C dry) Off: 0 to 43 °C/10 to 90% RH (optimum 26.8 °C wet, 2 °C dry)									
Noise (Sound pressure level)	<table> <thead> <tr> <th></th> <th>Colour</th> <th>Mono</th> </tr> </thead> <tbody> <tr> <td>Operating:</td> <td>60.8dB</td> <td>62.0dB</td> </tr> <tr> <td>Standby:</td> <td colspan="2">37dB</td> </tr> </tbody> </table>		Colour	Mono	Operating:	60.8dB	62.0dB	Standby:	37dB	
	Colour	Mono								
Operating:	60.8dB	62.0dB								
Standby:	37dB									

a. Exit method is limited by paper size, media weight and paper feed.

Specifications subject to change without notice. All trademarks acknowledged.

INDEX

B

- Belt
 - how to replace 44
 - life expectancy..... 36
 - life remaining 32

C

- Cleaning the LED head 47
- Colour
 - adjusting 24

E

- Envelopes
 - loading 16

F

- Fuser
 - how to replace 46
 - life expectancy..... 36
 - life remaining 32

I

- Image drum
 - how to replace 41
 - life expectancy..... 36
- Image drums
 - current usage state 32

L

- Labels
 - recommended types 12
- LED display 10

M

- Menu functions 18
 - Changing the settings -
 - Administrator..... 20
 - Changing the settings -
 - User 19
 - Colour menu..... 24
 - Maintenance menu 31
 - Media menu 22
 - Memory menu 30
 - Network menu 29
 - Operator Panel..... 18
 - PCL emulation 26
 - Print menu 21
 - Print Statistics menu..... 32
 - Shutdown menu..... 21
 - Sys Adjust menu..... 31
 - System config. menu 25
 - USB menu..... 29

Menus

- Administrator Menu 33
- Colour menu..... 24
- factory default settings ... 19
- FX emulation 28
- how to use 18
- Maintenance menu 31
- Media menu 22
- menu map 21
- Network menu 29
- PCL emulation menu..... 26
- PPR emulation menu..... 27
- Print menu 21
- resetting 31

- System configuration
 - menu 25
- Usage menu 32
- USB menu..... 29, 30, 31
- Multi purpose tray
 - how to use 16
 - paper metrics 13

N

- Network addresses
 - setting..... 29
- Network protocols
 - enabling or disabling 29

P

- Paper
 - jam clearing 48
 - loading cassette trays..... 14
 - loading letterhead 14
 - recommended types 12
 - weights and sizes..... 22
- Power saving
 - delay time..... 25
 - enabling or disabling 31
- PPR emulation 27
- Print order
 - face down stacker 15
 - face up stacker 15
- Print quality
 - adjusting 31
- Printer overview 7

S

- Switching off correctly 21

T

- Toner
 - current usage state 32
 - how to replace..... 37
 - life expectancy 36

U

- Usage menu 32

OKI CONTACT DETAILS

Okidata Systems (UK) Limited

550 Dundee Road
Slough Trading Estate
Slough, SL1 4LE

Tel: 44 (0) 1753 819819
Fax: 44 (0) 1753 819899
<http://www.oki.co.uk>

Okidata Systems Ireland Limited

The Square Industrial Complex
Tallaght, Dublin 24, Ireland

Tel: +353 1 4049590
Fax: +353 1 4049591
<http://www.oki.ie>

Technical Support:

Tel: +353 1 4049570
Fax: +353 1 4049555
E-mail: tech.support@oki.ie

Okidata Systems (Ireland) Ltd.

(Northern Ireland)
40 Sydenham Park
Belfast, BT4 1PW

Tel: +44 (0)28 90 20 1110
<http://www.oki.ie>

Technical Support:

Tel: +44 (0)28 90 221919
E-mail: tech.support@oki.ie

Okidata Data Corporation

4-11-22 Shibaura, Minato-ku, Tokyo
108-8551, Japan

Tel: (81) 3 5445 6158
Fax: (81) 3 5445 6189
<http://www.okidata.co.jp>

Okidata Data (Singapore) Pte. Ltd.

78 Shenton Way, #09-01,
Singapore 079120

Tel: (65) 221 3722
Fax: (65)421 1688
<http://www.oki.com.sg>

Okidata Systems (Thailand) Ltd.

1168/81-82 Lumpini Tower,
27th Floor, Rama IV Road,
Bangkok 10120, Thailand

Tel: (66) 2679 9235
Fax: (66) 2679 9243
<http://www.okisysthai.com>

Okidata Data(S) P Ltd. Malaysia Rep Office

Suite 21.03, 21st Floor Menara IGB,
Mid Valley City
Lingkaran Syed Pura 59200,
Kuala Lumpur, Malaysia

Tel: (60) 3 2287 1177
Fax: (60) 3 2287 1166

Okidata Systems (Hong Kong) Ltd.

Unit 607, 6/F, Island Place Tower,
510 Kings Road, North Point,
Hong Kong

Tel (852) 3543 9200
Fax (852) 3549 6040
<http://www.okiprintingsolutions.com.hk>

The IPL Group

146 O'Riordan Street, Mascot,
NSW 2020, Australia

Tel: (61) 2 9667 7000
Fax: (61) 2 9667 7094
<http://www.oki.com.au>

Comworth Systems Ltd.

10 Constellation Drive Mairangi Bay,
PO Box 100-120, NSMC,
Auckland, New Zealand

Tel: (64) 9 477 0500
Fax: (64) 9 477 0549
<http://www.comworth.co.nz>

OKI EUROPE LIMITED

Central House

Balfour Road

Hounslow TW3 1HY

United Kingdom

Tel: +44 (0) 208 219 2190

Fax: +44 (0) 208 219 2199

WWW.OKIPRINTINGSOLUTIONS.COM

